

GX620 Ranchho Backhoe

Prior to S/N 360271 to 3620513



Foreword

EMB Mfg. has prepared this parts manual to assist customers in ordering quality OEM replacement parts.

Proper and regular service and replacing old, worn or broken parts with the correct OEM parts are essential to prolonging the life of your EMB product. Please refer to this manual before ordering any replacement parts.

All information contained in this parts manual is based on the latest product specification available at the time of printing this manual. If your product differs from the specifications contained within this manual contact EMB Mfg. for information.

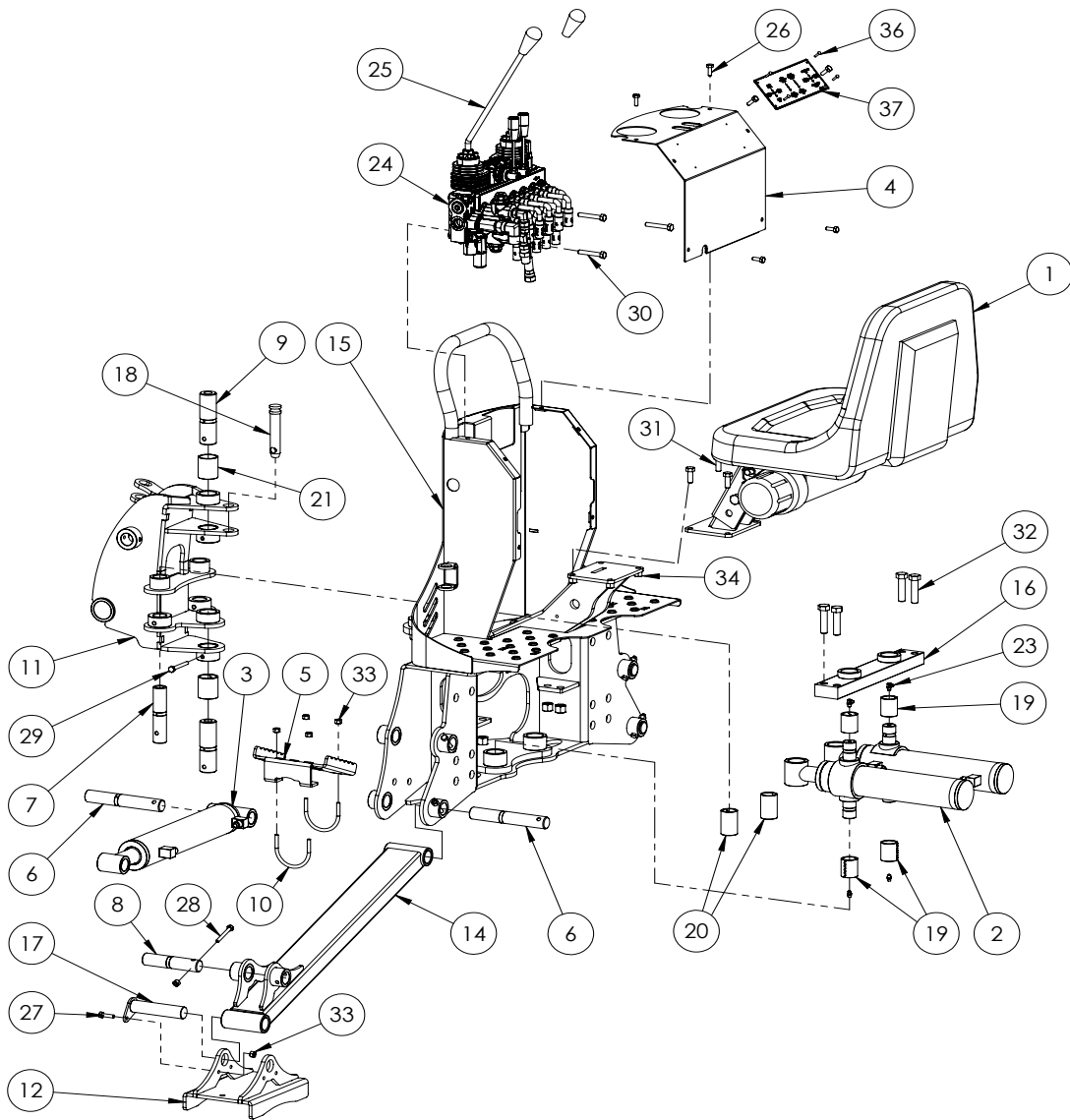
EMB reserves the right to alter specifications on their products at any time.

Reproduction of this parts manual of any kind is prohibited without prior written permission from EMB Mfg.

Table of Contents

| | |
|-----------------------------|----|
| Main Frame | 5 |
| Boom | 7 |
| Bucket & Seat Assembly | 8 |
| Hydraulic Schematic & Parts | 9 |
| Cylinders | 10 |
| Valve & Parts | 12 |
| Pump Kit (Optional) | 14 |
| Mechanical Thumb (Optional) | 15 |
| Decals | 16 |

This Page is Intentionally Blank

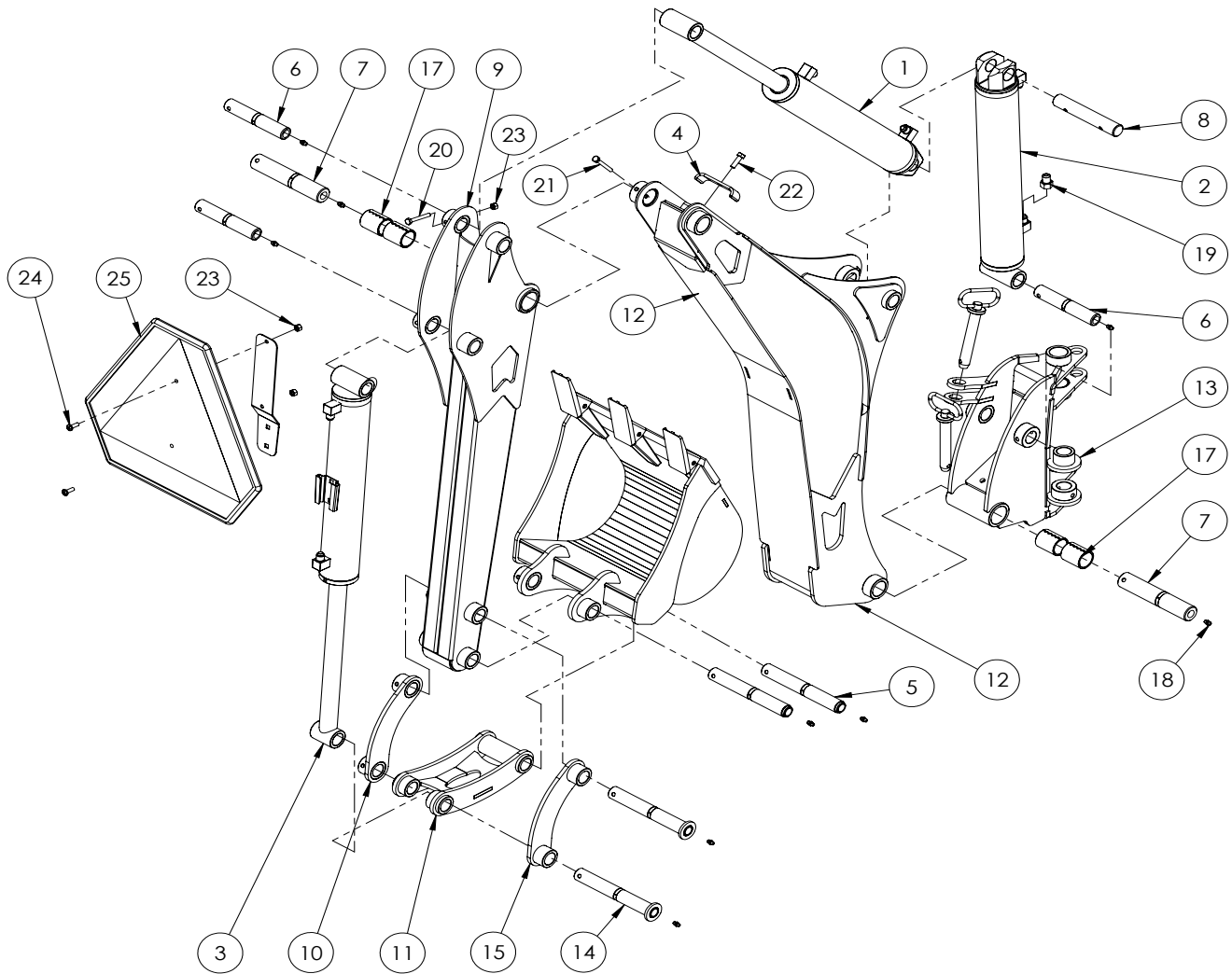


GX620 MAIN FRAME PARTS BREAKDOWN

| ITEM | PART NO. | DESCRIPTION | QTY. |
|------|----------|-------------------------------|------|
| 1 | 3011A102 | Seat Assembly | 1 |
| 2 | 3011C103 | Cylinder, 2" x 7-3/4 Stroke | 2 |
| 3 | 3011C104 | Cylinder, 2" x 9-3/4" Stroke | 2 |
| 4 | 3011L138 | Shield, Control Valve | 1 |
| 5 | 3011L140 | Step, Stabilizer | 2 |
| 6 | 3011M106 | Pin, 1" x 6-1/2 Greasable | 4 |
| 7 | 3011M120 | Pin, 1" x 4-3/4 Greasable | 2 |
| 8 | 3011M123 | Pin, 1" x 4-3/4 Greasable | 2 |
| 9 | 3011M133 | Pin, 1-1/4 x 4-5/16 Greasable | 2 |
| 10 | 3011S107 | U-Bolt, Stab Step | 4 |
| 11 | 3011W105 | Swing Tower Assembly | 1 |
| 12 | 3011W107 | Foot, Stabilizer | 2 |
| 13 | 3011W108 | Stabilizer, RH | 1 |
| 14 | 3011W109 | Stabilizer, LH | 1 |
| 15 | 3011W110 | Main Frame | 1 |
| 16 | 3011W114 | Bar, Swing Cylinder Retaining | 1 |
| 17 | 3011W118 | Flange Pin, 1 x 4-1/2 | 2 |
| 18 | Z11121 | Toplink Pin 3/4 x 2-3/4 | 1 |
| 19 | Z27221 | Connex Bushing 1 x 1-1/2 | 4 |
| 20 | Z27222 | Connex Bushing 1 x 2 | 2 |
| 21 | Z27231 | Connex Bushing 1-1/4 x 1-3/4 | 2 |
| 22 | Z29202 | Grease Zerk 1/4NF | 12 |
| 23 | Z29203 | Grease Zerk 90, 1/4NF | 2 |

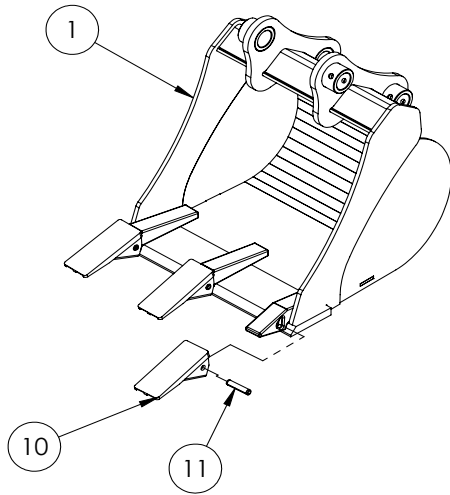
| ITEM | PART NO. | DESCRIPTION | QTY. |
|------|----------|---------------------------|------|
| 24 | Z56202 | Monoblock 6-Section Valve | 1 |
| 25 | Z56910 | Backhoe lever, bent 12" | 2 |
| 26 | Z71107 | Hex Bolt 1/4NC x 3/4 | 6 |
| 27 | Z71110 | Hex Bolt 1/4NC x 1 | 2 |
| 28 | Z71120 | Hex Bolt 1/4NC x 2 | 6 |
| 29 | Z71122 | Hex Bolt 1/4NC x 2-1/4 | 5 |
| 30 | Z71220 | Hex Bolt 5/16NC x 2 | 3 |
| 31 | Z71310 | Hex Bolt 3/8NC x 1 | 4 |
| 32 | Z71520 | Hex Bolt 1/2NC x 2 | 4 |
| 33 | Z72111 | Hex Lock Nut 1/4NC | 23 |
| 34 | Z72231 | Hex Lock Nut 3/8NC | 4 |
| 35 | Z72251 | Hex Lock Nut 1/2NC | 4 |
| 36 | Z79302 | Rivet, 1/8 x 1/2 | 4 |
| 37 | Z94035 | Plate, Control | 1 |

This Page is Intentionally Blank



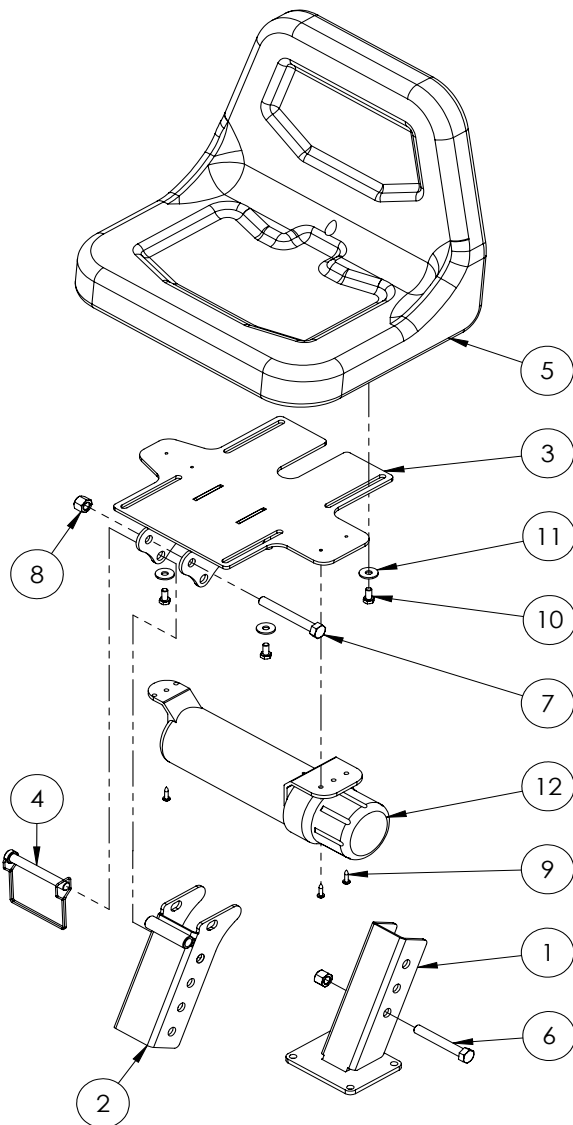
GX620 BOOMS PARTS BREAKDOWN

| ITEM | PART NO. | DESCRIPTION | QTY. |
|------|----------|------------------------------------|------|
| 1 | 3011C105 | Cylinder, 2-1/4 x 13.1" Stroke | 1 |
| 2 | 3011C106 | Cylinder, 2-1/2 x 13" Stroke | 1 |
| 3 | 3011C107 | Cylinder, 2-1/4 x 12-7/8" Stroke | 1 |
| 4 | 3011L176 | Clamp, Two Hose | 1 |
| 5 | 3011M109 | Pin, 1 x 7.45 Greasable | 2 |
| 6 | 3011M110 | Pin, 1" x 5.66 Greasable | 3 |
| 7 | 3011M113 | Pin, 1-1/4 x 6-5/8 Greasable | 2 |
| 8 | 3011M115 | Pin, 1" x 6 Double Hole | 1 |
| 9 | 3011W101 | Boom, Dipper | 1 |
| 10 | 3011W102 | Linkage, Guide with Holes | 1 |
| 11 | 3011W103 | Linkage, Bucket | 1 |
| 12 | 3011W104 | Boom, Main | 1 |
| 13 | 3011W105 | Swing Tower Assembly | 1 |
| 14 | 3011W117 | Bucket Pin w/ Washer | 2 |
| 15 | 3011W119 | Linkage, Guide no Holes | 1 |
| 16 | Z11242 | Hitch Pin 3/4 x 4-1/4 | 2 |
| 17 | Z27231 | Connex Bushing 1-1/4 x 1-3/4 | 4 |
| 18 | Z29202 | Grease Zerk 1/4NF | 9 |
| 19 | Z51929 | ORBxMJIC 0606x.047 Orifice | 1 |
| 20 | Z71120 | Hex Bolt 1/4NCx2 | 6 |
| 21 | Z71122 | Hex Bolt 1/4NC x 2-1/4 | 9 |
| 22 | Z71210 | Hex Bolt 5/16NC x 1 | 1 |
| 23 | Z72111 | Hex Lock Nut 1/4NC | 17 |
| 24 | Z78301 | Pan Head Machine Screw 1/4NC x 3/4 | 2 |
| 25 | Z96605 | SMV Spade & Socket | 1 |



GX620 BUCKETS

| ITEM | PART NO. | DESCRIPTION | QTY. |
|------|----------|-----------------------|------|
| 1 | BK2090 | Bucket, 9" Small | |
| | BK2120 | Bucket, 12" Small | |
| | BK2150 | Bucket, 15" Small | |
| | BK2180 | Bucket, 18" Small | |
| 2 | Z14181 | Roll Pin 5/16 x 1-1/2 | - |
| 3 | Z19902 | Tooth, Backhoe Pin-on | - |



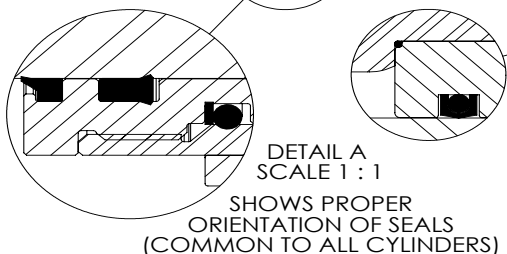
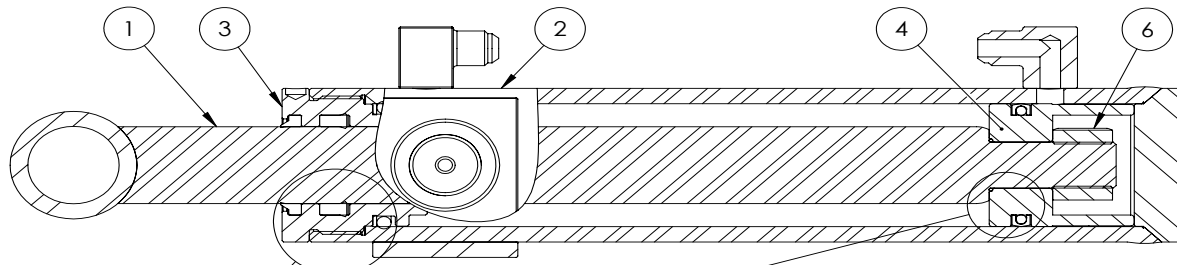
GX620 SEAT ASSEMBLY

| ITEM | PART NO. | DESCRIPTION | QTY. |
|------|----------|-------------------------|------|
| 1 | 3011W111 | Base, Seat | 1 |
| 2 | 3011W112 | Mount, Seat | 1 |
| 3 | 3011W113 | Plate, Seat | 1 |
| 4 | Z12441 | Snapper Pin 1/2 x 4-1/2 | 1 |
| 5 | Z19201 | High-Back Seat | 1 |
| 6 | Z71535 | Hex Bolt 1/2NC x 3-1/2 | 1 |
| 7 | Z71540 | Hex Bolt 1/2NC x 4 | 1 |
| 8 | Z72251 | Hex Lock Nut 1/2NC | 2 |
| 9 | Z76712 | Self-tapping Screw #10 | 3 |
| 10 | Z77152 | Hex Bolt, M8 x 16mm | 4 |
| 11 | Z77352 | Washer, M8 | 4 |
| 12 | Z96502 | Manual Tube 3-1/2 | 1 |



GX620 HYDRAULIC SCHEMATIC & PARTS BREAKDOWN

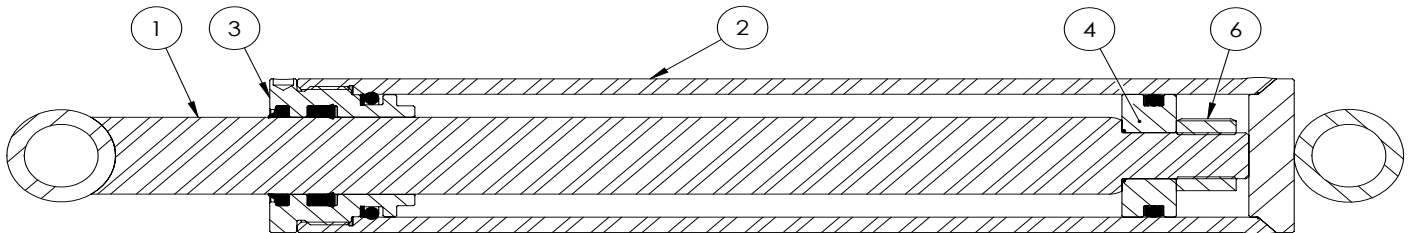
| ITEM | PART NO. | DESCRIPTION | QTY. |
|------|----------|--|------|
| 1 | 3011C103 | Cylinder, 2" x 7-3/4" Stroke | 2 |
| 2 | 3011C104 | Cylinder, 2" x 9-3/4" Stroke | 2 |
| 3 | 3011C105 | Cylinder, 2-1/4 x 13.1" Stroke | 1 |
| 4 | 3011C106 | Cylinder, 2-1/2 x 13" Stroke | 1 |
| 5 | 3011C107 | Cylinder, 2-1/4 x 12-7/8" Stroke | 1 |
| 6 | Z51441 | #6JIC x 1/2NPT | 1 |
| 7 | Z51483 | #6JIC x #6JIC x #6JIC Tee | 1 |
| 8 | Z51486 | Tee MJIC x MP x MJIC 060606 | 1 |
| 9 | Z51511 | #6JIC Fem x 3/8 NPT | 1 |
| 10 | Z51521 | 1/2NPT x #8JIC Fem Swivel | 1 |
| 11 | Z51641 | #6ORB x #6JIC | 10 |
| 12 | Z51642 | #8ORB x #8JIC Long Custom | 1 |
| 13 | Z51644 | #8ORB x #6JIC | 1 |
| 14 | Z51651 | #6JIC x #6ORB 90 Elbow | 2 |
| 15 | Z51913 | Flow Restrictor, #6 JIC x 0.050 | 1 |
| 16 | Z52101 | 1/4 Hose, #6FJIC x #6FJIC x 4" | 1 |
| 17 | Z52102 | 1/4 Hose, #6FJIC x #6FJIC x 28" | 4 |
| 18 | Z52103 | 1/4 Hose, #6FJIC x #6FJIC 90 x 61" | 1 |
| 19 | Z52104 | 1/4 Hose, #6FJIC x #6FJIC 90lg x 61" | 1 |
| 20 | Z52105 | 1/4 Hose, #6FJIC x #6FJIC 90 x 76" | 1 |
| 21 | Z52106 | 1/4 Hose, #6FJIC x #6FJIC 90lg x 76" | 1 |
| 22 | Z52107 | 1/4 Hose, #6FJIC x #6FJIC 90 x 102" | 1 |
| 23 | Z52108 | 1/4 Hose, #6FJIC x #6FJIC 90lg x 102" | 1 |
| 24 | Z52109 | 1/4 Hose, #6FJIC x #6FJIC 90 x 36-1/2" | 2 |
| 25 | Z52110 | 1/4 Hose, #6FJIC x #6FJIC 90 x 36-1/2" | 2 |
| 26 | Z52201 | 3/8 Hose, #6FJIC x 1/2NPT x 66" | 2 |
| 27 | Z56102 | Check Valve 1/2FNPT OPSI | 1 |
| 28 | Z56202 | Monoblock 6-Section Valve | 1 |
| 29 | Z56301 | In-Line Needle Valve | 1 |
| 30 | Z56910 | Backhoe lever, bent 12" | 2 |



DETAIL A
SCALE 1 : 1
SHOWS PROPER
ORIENTATION OF SEALS
(COMMON TO ALL CYLINDERS)

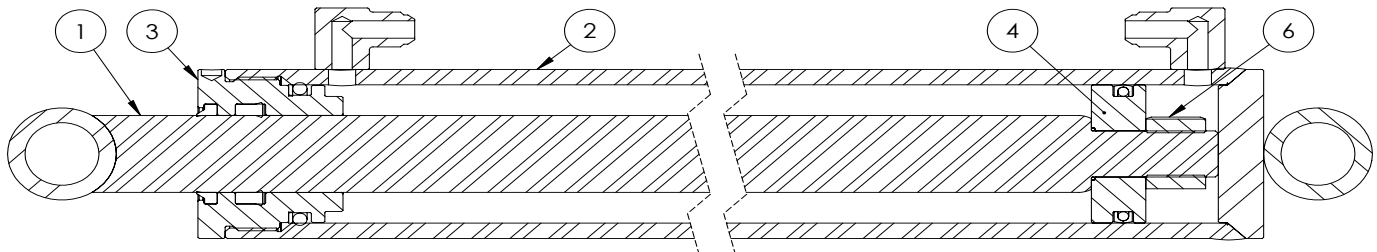
3011C103 GX620 SWING CYLINDER

| ITEM | PART NO. | Description | QTY. |
|------|------------|----------------------------|------|
| 1 | 3011C1033 | Rod, 1-1/4 x 3/4 | 1 |
| 2 | 3011C1034 | Barrel, 2" Trunnion Mount | 1 |
| 3 | G200-125SA | 2" Bore x 1-1/4" Rod Gland | 1 |
| 4 | P750-200CA | 2" Bore Cushion Piston | 1 |
| 5 | SLK-2012 | Seal Kit, 2 x 1-1/4 | 1 |
| 6 | Z72272G8 | Hex Lock Nut 3/4NF Grade 8 | 1 |



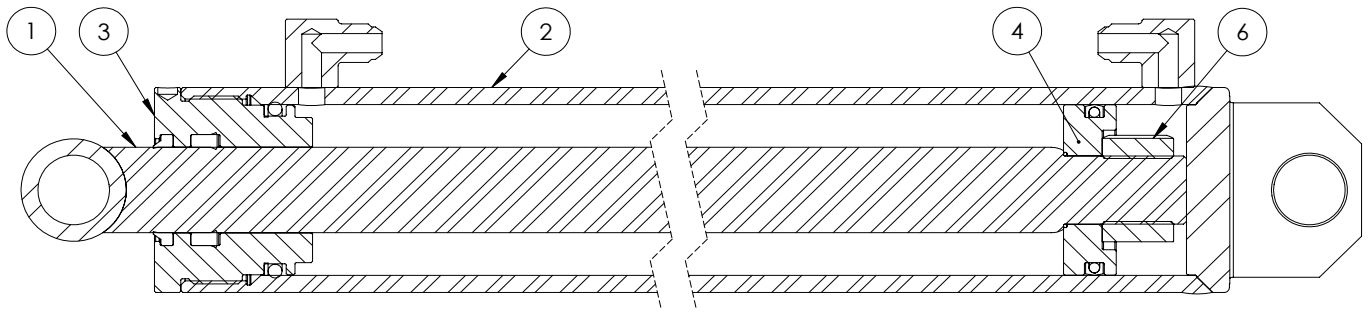
3011C104 GX620 STABILIZER CYLINDER

| ITEM | PART NO. | Description | QTY. |
|------|------------|----------------------------|------|
| 1 | 3011C1043 | Rod, 1-1/4 | 1 |
| 2 | 3011C1044 | Barrel, 2" Bore | 1 |
| 3 | G200-125SA | 2" Bore x 1-1/4" Rod Gland | 1 |
| 4 | P750-200SA | 2" Bore Piston | 1 |
| 5 | SLK-2012 | Seal Kit, 2 x 1-1/4 | 1 |
| 6 | Z72272G8 | Hex Lock Nut 3/4NF Grade 8 | 1 |



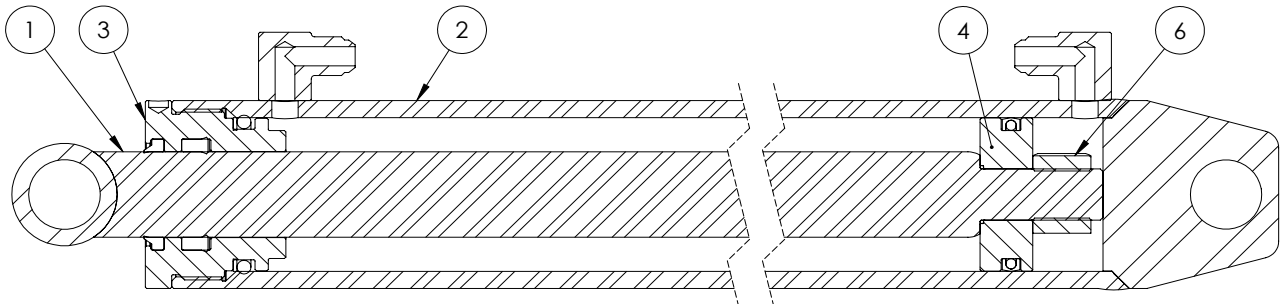
3011C107 GX620 BUCKET CYLINDER

| ITEM | PART NO. | Description | QTY. |
|------|------------|--------------------------------|------|
| 1 | 3011C1073 | Rod, 1-1/4x3/4 | 1 |
| 2 | 3011C1074 | Barrel, 2-1/4" Bore | 1 |
| 3 | G225-125SA | 2-1/4" Bore x 1-1/4" Rod Gland | 1 |
| 4 | P750-225SA | 2-1/4" Bore Piston | 1 |
| 5 | SLK-2212 | Seal Kit, 2-1/4 x 1-1/4 | 1 |
| 6 | Z72272G8 | Hex Lock Nut 3/4NF Grade 8 | 1 |



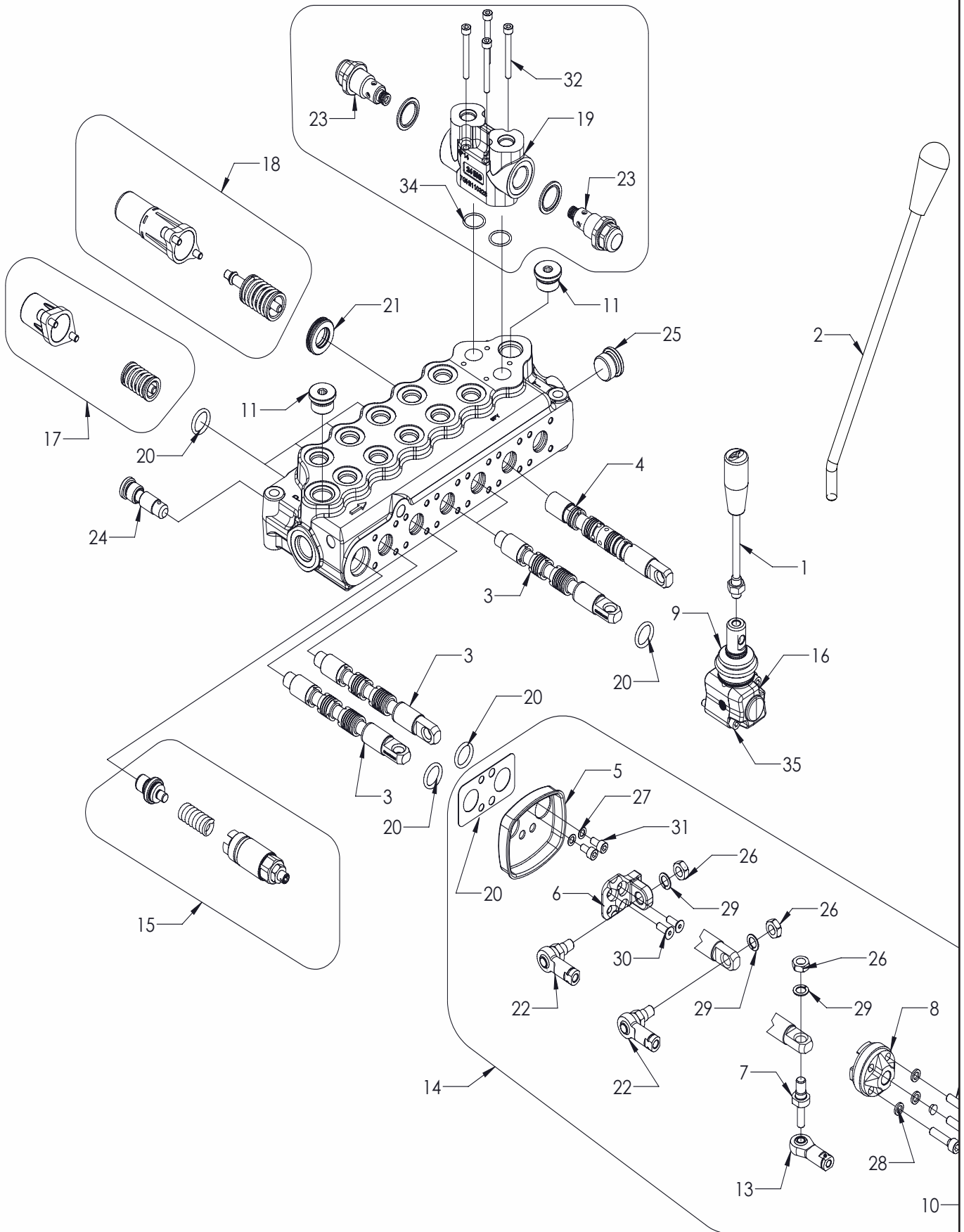
3011C106 GX620 MAIN BOOM CYLINDER

| ITEM | PART NO. | Description | QTY. |
|------|------------|--------------------------------|------|
| 1 | 3011C1063 | Rod, 1-1/4 x1 | 1 |
| 2 | 3011C1064 | Barrel, 2-1/2" | 1 |
| 3 | G250-125SA | 2-1/2" Bore x 1-1/4" Rod Gland | 1 |
| 4 | P100-250SA | 2-1/2" Bore Piston | 1 |
| 5 | SLK-2512 | Seal Kit, 2-1/2 x 1-1/4 | 1 |
| 6 | Z72292G8 | Hex Lock Nut 1NF Grade 8 | 1 |



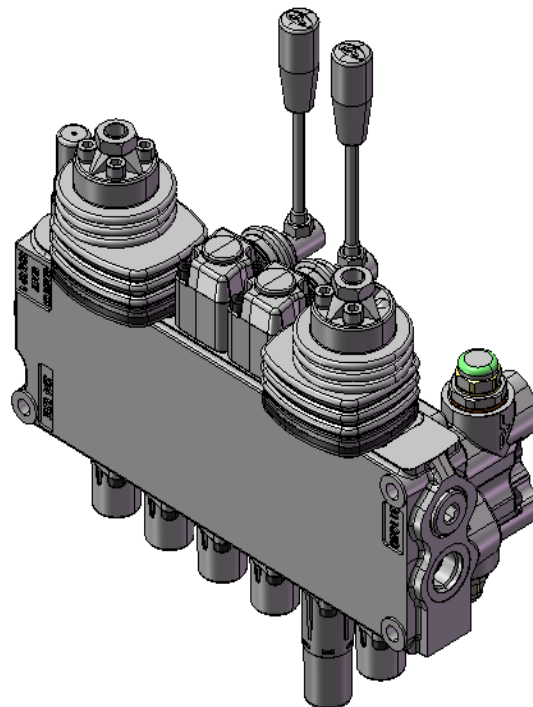
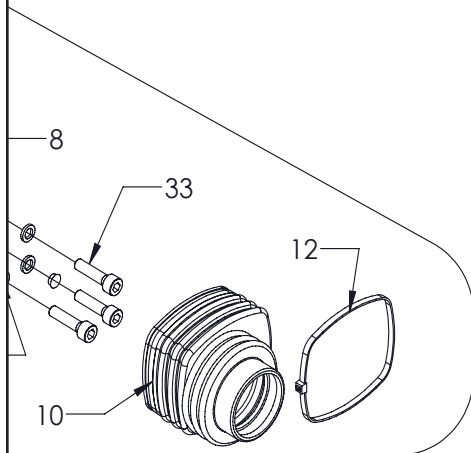
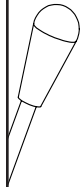
3011C105 GX620 DIPPER BOOM CYLINDER

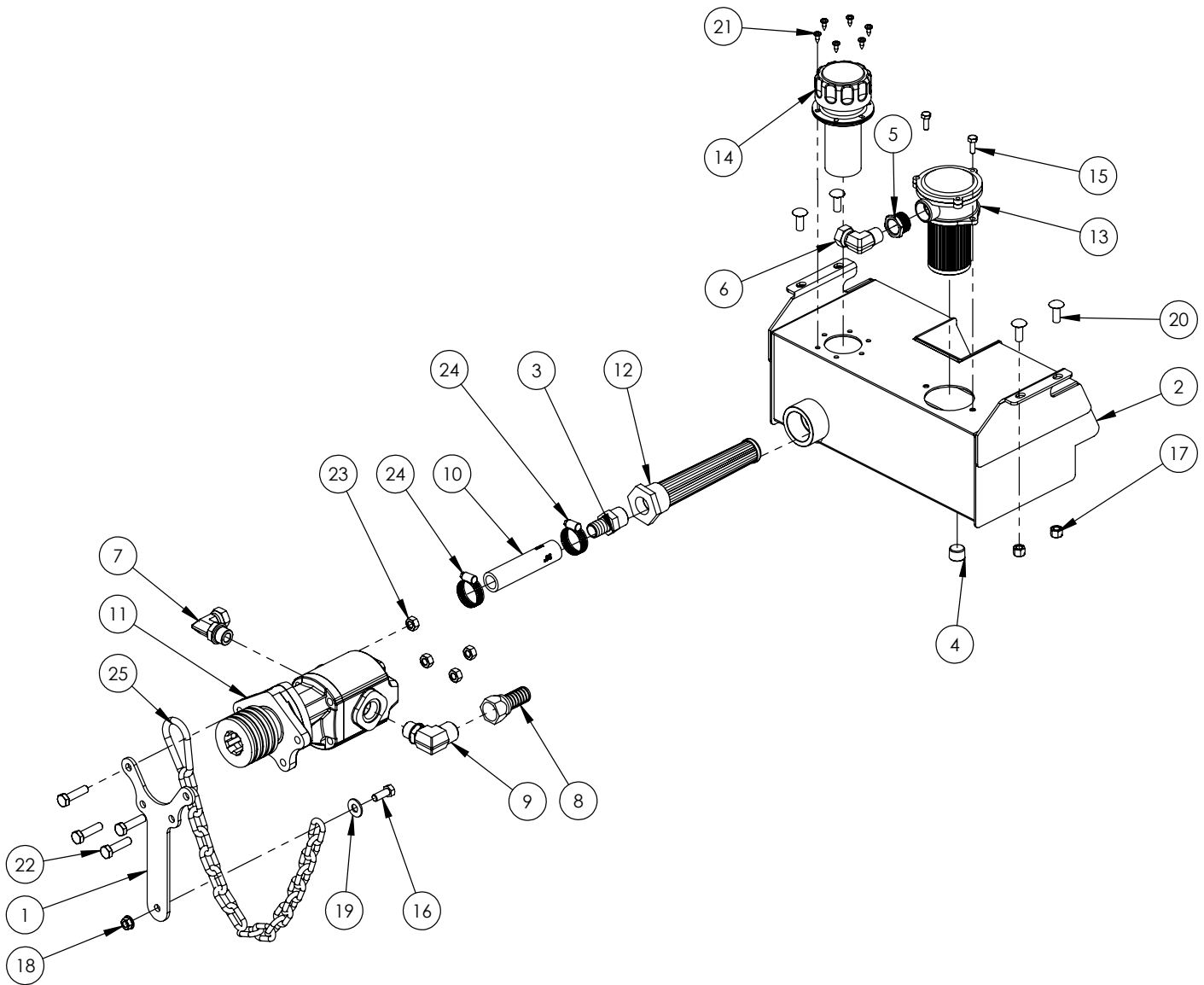
| ITEM | PART NO. | Description | QTY. |
|------|------------|--------------------------------|------|
| 1 | 3011C1053 | Rod, 1-1/4x3/4 | 1 |
| 2 | 3011C1054 | Barrel, 2-1/4" Bore | 1 |
| 3 | G225-125SA | 2-1/4" Bore x 1-1/4" Rod Gland | 1 |
| 4 | P750-225SA | 2-1/4" Bore Piston | 1 |
| 5 | SLK-2212 | Seal Kit, 2-1/4 x 1-1/4 | 1 |
| 6 | Z72272G8 | Hex Lock Nut 3/4NF Grade 8 | 1 |



Z56202 VALVE PARTS BREAKDOWN

| ITEM | PART NO. | DESCRIPTION | QTY. |
|------|---------------|--|--------|
| 1 | 170011012 | AL01/M8X120 HANDLEVER (SHORT) | 2 |
| 2 | Z56910 | AL08/M12X350 BENT LEVER (LONG) | 2 |
| 3 | 3CU1210133 | TIGHT FIT SPOOL | 4 |
| 4 | 3CU1245620 | FLOAT SPOOL | 1 |
| 5 | 3FLA125130 | LCB5 FLANGE | 2 |
| 6 | 3FUL220101 | LCB5 FULCRUM | 2 |
| 7 | 3PER515415 | LCB5 SPOOL PIN | 2 |
| 8 | 3POR340241 | LCB5 ADAPTER HANDLE | 2 |
| 9 | 3SOF136240 | L5 RUBBER BOOT ONLY | 2 |
| 10 | 3SOF200701 | LCB5 RUBBER BOOT | 2 |
| 11 | 3XTAP822150 | PLUG SAE8 | 2 |
| 12 | 4ACC210 | TIE STRAP | 2 |
| 13 | 4ART706020 | LCB6 TUTHILL | 2 |
| 14 | 5CLO206100 | LCB6 COMPLETE JOYSTICK KIT | 2 |
| 15 | 5KIT105413 | RELIEF VALVE | 1 |
| 16 | 5LEV105000 | L5 LEVER BOX | 2 |
| 17 | 5V08105000 | SPRING CENTER KIT | 4 |
| 18 | 5V13405020 | FLOAT KIT | 1 |
| 19 | 602001101 | PORT RELIEF BLOCK | 1 |
| 20 | SK SD5/6 | VALVE SEAL KIT (12 O-RINGS, 2 GASKETS) | 1 |
| 21 | XANE228061 | RING | 1 |
| 22 | XART706020 | LCB6 TUTHILL WITH BOLT | 4 |
| 23 | XCAR211113 | PORT RELIEF CARTRIDGE | 2 |
| 24 | XKIT005000 | LOAD CHECK | 1 |
| 25 | XTAP623170 | OPEN CENTER PLUG | 1 |
| | AEK SD5 | CLOSED CENTER PLUG | OPTION |
| 26 | Z77252 | JAM NUT M8x1.25 | 10 |
| 27 | Z77321 | LOCK WASHER M5 | 8 |
| 28 | Z77331 | LOCK WASHER M6 | 6 |
| 29 | Z77354 | LOCK WASHER M8 | 6 |
| 30 | Z77521 | FHCS M5x0.8x14mm | 8 |
| 31 | Z77522 | SHCS M5x0.8x10mm | 8 |
| 32 | Z77523 | SHCS M5x0.8x45mm | 4 |
| 33 | Z77531 | SHCS M6x1.0x25mm | 6 |
| 34 | OR 17.18X1.78 | PORT RELIEF O-RING | 2 |
| 35 | Z77524 | SHCS M5x0.8x35mm | 8 |

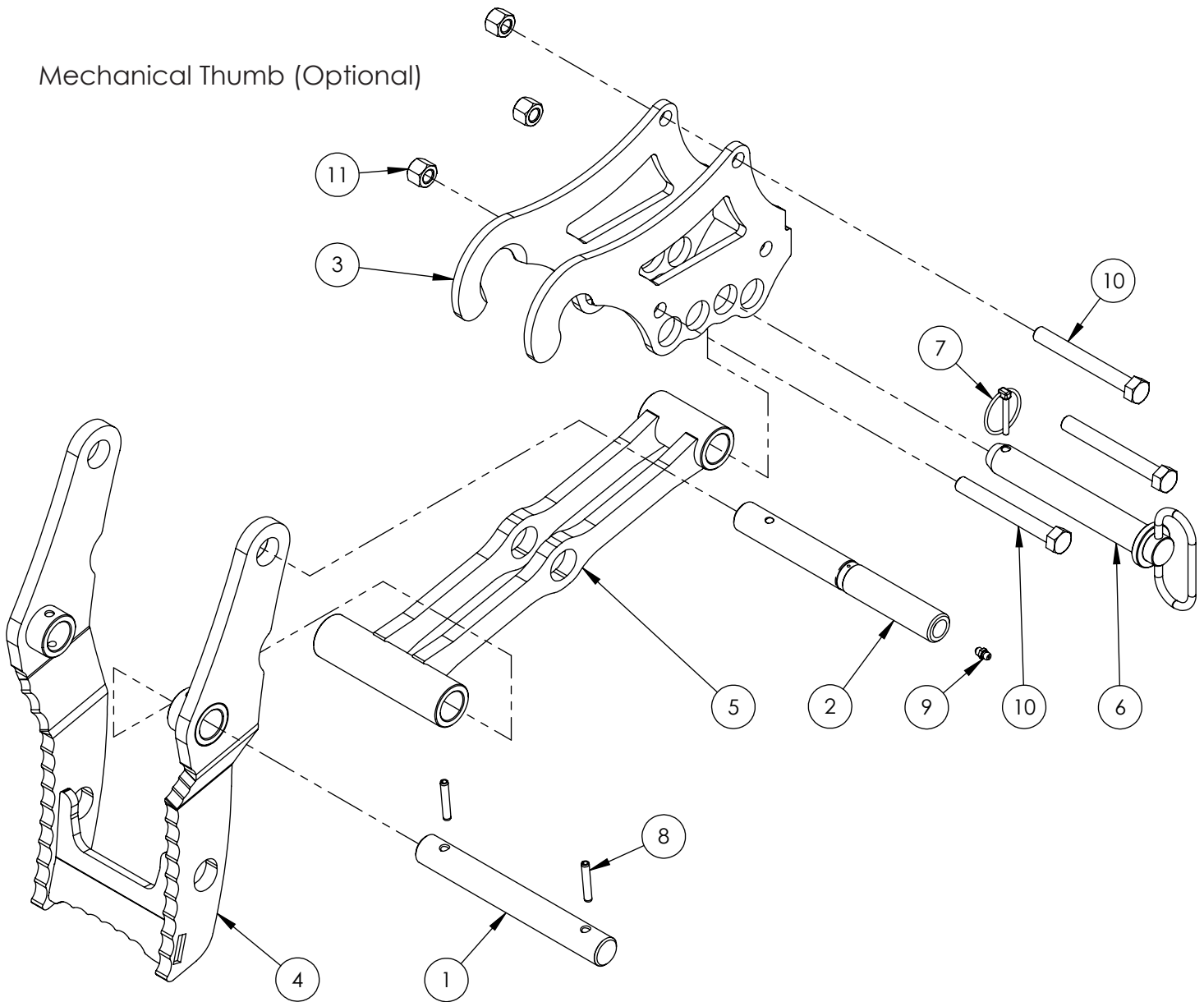




PTO62 PUMP KIT PARTS BREAKDOWN

| ITEM | PART NO. | DESCRIPTION | QTY |
|------|----------|----------------------------|-----|
| 1 | 3081L107 | Lever, Stop | 1 |
| 2 | 3081W101 | Tank, 2-1/2 Gallon | 1 |
| 3 | Z51181 | 3/4NPT x 3/4 Hose Barb | 1 |
| 4 | Z51192 | Socket Plug 1/2NPT | 1 |
| 5 | Z51221 | Reducer FP x MP 1208 | 1 |
| 6 | Z51331 | Elbow 90 MP x FPX 0808 | 1 |
| 7 | Z51384 | #10ORB x 1/2FNPT 90 Elbow | 1 |
| 8 | Z51591 | #12JIC x 3/4 Hose Barb | 1 |
| 9 | Z51654 | #12JIC x #10ORB 90 Elbow | 1 |
| 10 | Z52403 | 3/4 Plain Hose x 36" | 1 |
| 11 | Z53102 | Pump, 2.38 CIR | 1 |
| 12 | Z55101 | Tank Strainer, Suction | 1 |
| 13 | Z55201 | Tank Mounted Return Filter | 1 |
| 14 | Z55401 | Breather Filler Cap | 1 |
| 15 | Z71107 | Hex Bolt 1/4NC x 3/4 | 2 |
| 16 | Z71310 | Hex Bolt 3/8NC x 1 | 1 |
| 17 | Z72231 | Hex Lock Nut 3/8NC | 4 |
| 18 | Z72531 | Flange Nut 3/8NC | 1 |
| 19 | Z73230 | Wide Flat Washer 3/8 | 1 |
| 20 | Z76231 | Carriage Bolt 3/8NC x 1 | 4 |
| 21 | Z76711 | Self-tapping Screw #10 | 6 |
| 22 | Z77161 | Hex Bolt, M10 x 40mm | 4 |
| 23 | Z77260 | Hex Nut, M10 | 4 |
| 24 | Z79401 | Hose Clamp, #16 | 2 |
| 25 | Z92303 | Safety Chain 1/4 x 2' | 1 |

Mechanical Thumb (Optional)

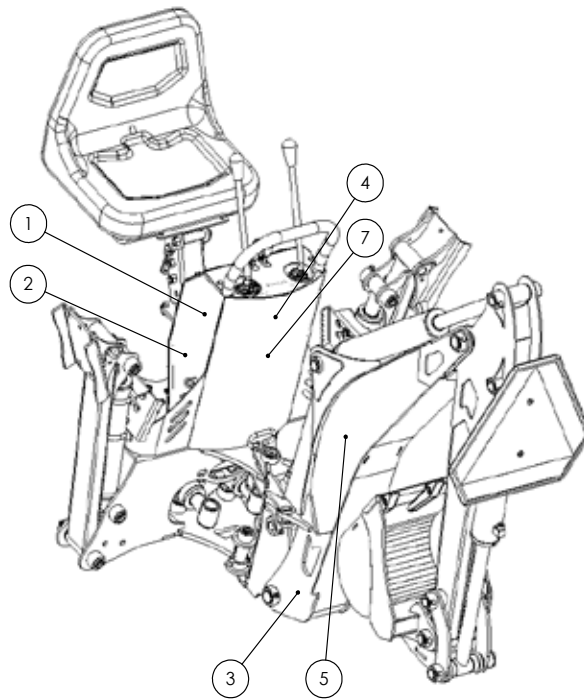
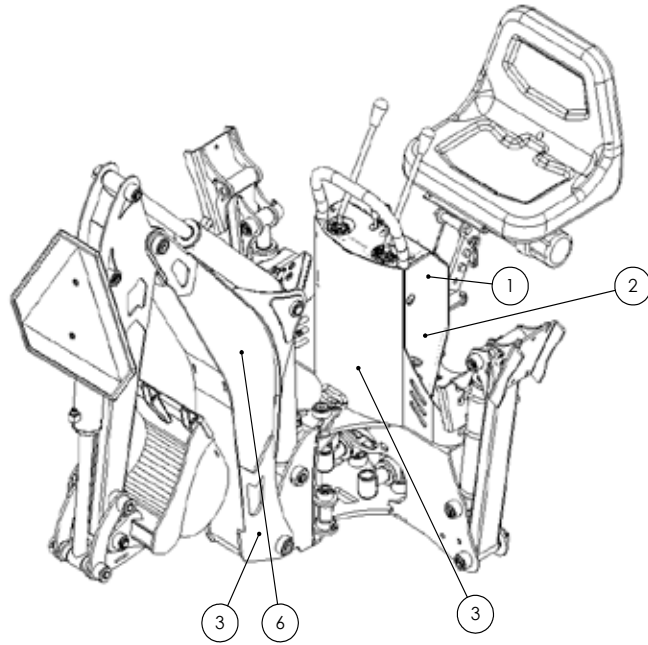


BT5280 THUMB PARTS BREAKDOWN

| ITEM | PART NO. | Description | QTY. |
|------|----------|------------------------------|------|
| 1 | 3083M063 | Pin, Thumb Brace Pivot | 1 |
| 2 | 3083M064 | Pin, Extended Bucket - Thumb | 1 |
| 3 | 3083W060 | Weldment, Lug | 1 |
| 4 | 3083W061 | Weldment, Thumb | 1 |
| 5 | 3083W062 | Link, Thumb Support | 1 |
| 6 | Z11261 | Hitch Pin 1 x 6-1/4 | 1 |
| 7 | Z12110 | Latch Pin 3/16 | 1 |
| 8 | Z14171 | Roll Pin, 1/4 x 1-1/2 | 2 |
| 9 | Z29202 | Grease Zerk 1/4NF | 1 |
| 10 | Z71542 | Hex Bolt 1/2NC x 4-1/4 | 3 |
| 11 | Z72251 | Hex Lock Nut 1/2NC | 3 |

GX620 DECAL BREAKDOWN

| ITEM | PART NO. | DESCRIPTION | QTY |
|------|----------|----------------------------|-----|
| 1 | Z94036 | CAUTION - Read Manual | 2 |
| 2 | Z94037 | Moving Boom Hazard | 2 |
| 3 | Z94038 | WARNING - Install Lock Pin | 3 |
| 4 | Z94019 | Made in Canada | 3 |
| 5 | Z94017 | GX620 RH Curved Decal | 1 |
| 6 | Z94018 | GX620 LH Curved Decal | 1 |
| 7 | Z94054 | Wallenstein Ranchho | 1 |



GX620 Decals

Z94054



Z94019



Z94017



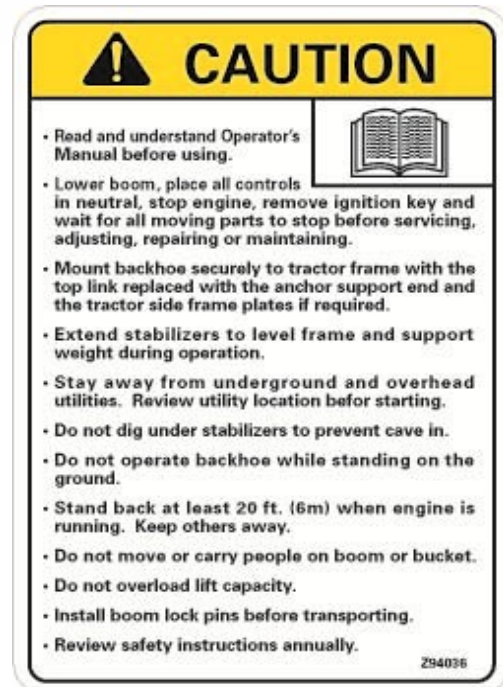
Z94038



Z94018



Z94036

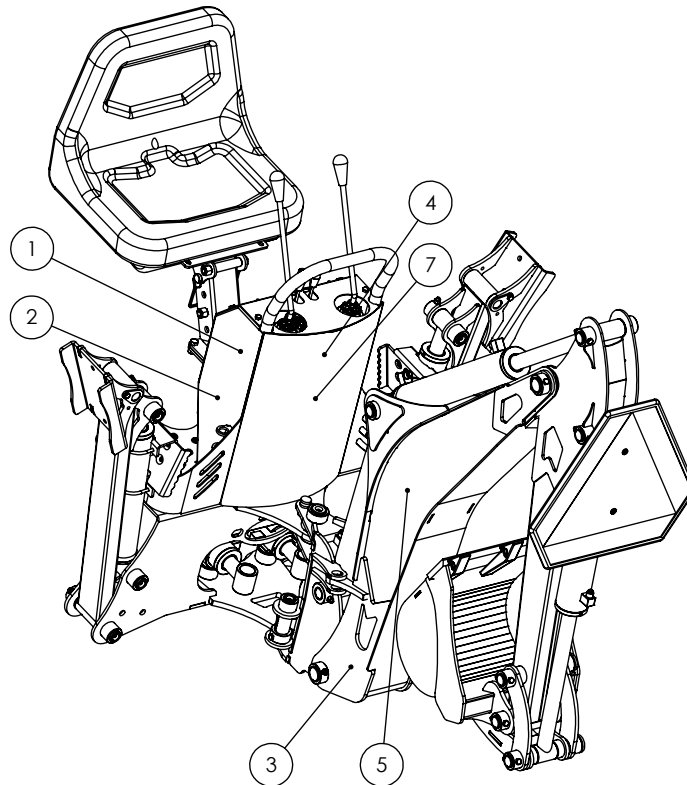
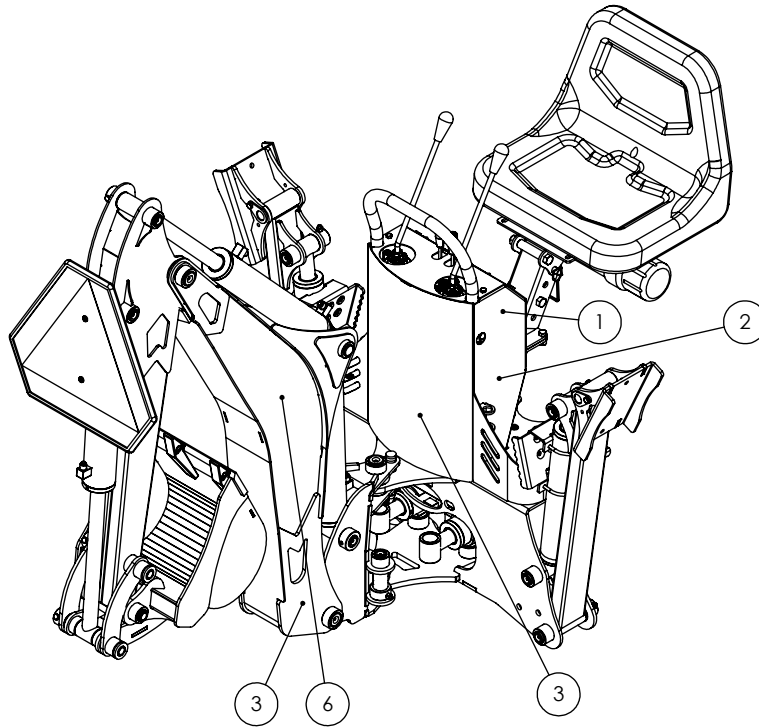


Z94037



TWO PANEL GX620 DECAL BREAKDOWN

| ITEM | PART NO. | DESCRIPTION | QTY |
|------|----------|----------------------------|-----|
| 1 | Z94119 | CAUTION - Read Manual | 2 |
| 2 | Z94112 | Moving Boom Hazard | 2 |
| 3 | Z94113 | WARNING - Install Lock Pin | 3 |
| 4 | Z94019 | Made in Canada | 3 |
| 5 | Z94017 | GX620 RH Curved Decal | 1 |
| 6 | Z94018 | GX620 LH Curved Decal | 1 |
| 7 | Z94054 | Wallenstein Ranchho | 1 |



Two Panel GX620 Decals

Z94054

Z94019



Z94017



Z94018



Z94112



Z94119



Z94113





WALLENSTEIN Products Manufactured by:

EMB MFG Inc.

4144 Boomer Line
St. Clements, Ontario
Canada N0B 2M0
Phone: 1-877-695-9283
Fax: 519-699-4146
www.embmfg.com