



WX540 Trailer Log Splitter Parts Manual

S/N 270001 & After



Foreword

EMB Mfg. has prepared this parts manual to assist customers in ordering quality OEM replacement parts.

Proper and regular service and replacing old, worn or broken parts with the correct Wallenstein parts are essential to prolonging the life of your Wallenstein product. Please refer to this manual before ordering any replacement parts.

All information contained in this parts manual is based on the latest product specification available at the time of printing this manual. If your product differs from the specifications contained within this manual contact EMB Mfg. for information.

EMB reserves the right to alter specifications on their products at any time.

Reproduction of this parts manual of any kind is prohibited without prior written permission from EMB Mfg.

Note: Log splitters with factory installed light kits will have a VIN number included. The last six numbers of this VIN number are the splitters serial number

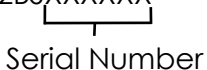
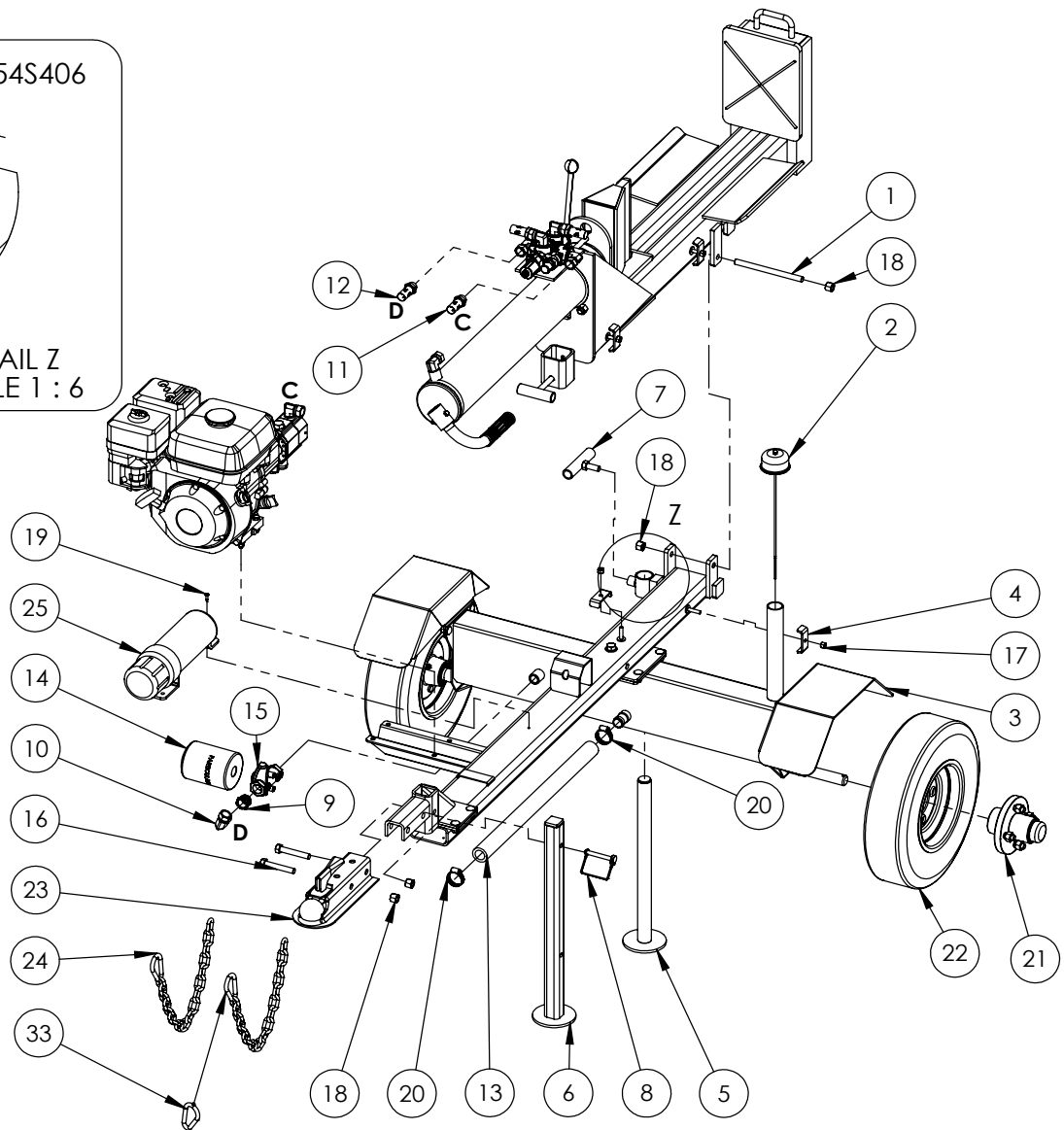
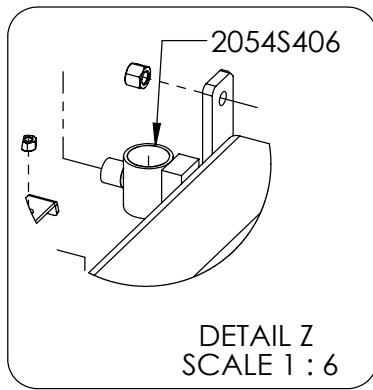
Example: 2E9US1112BSXXXXXX

Serial Number

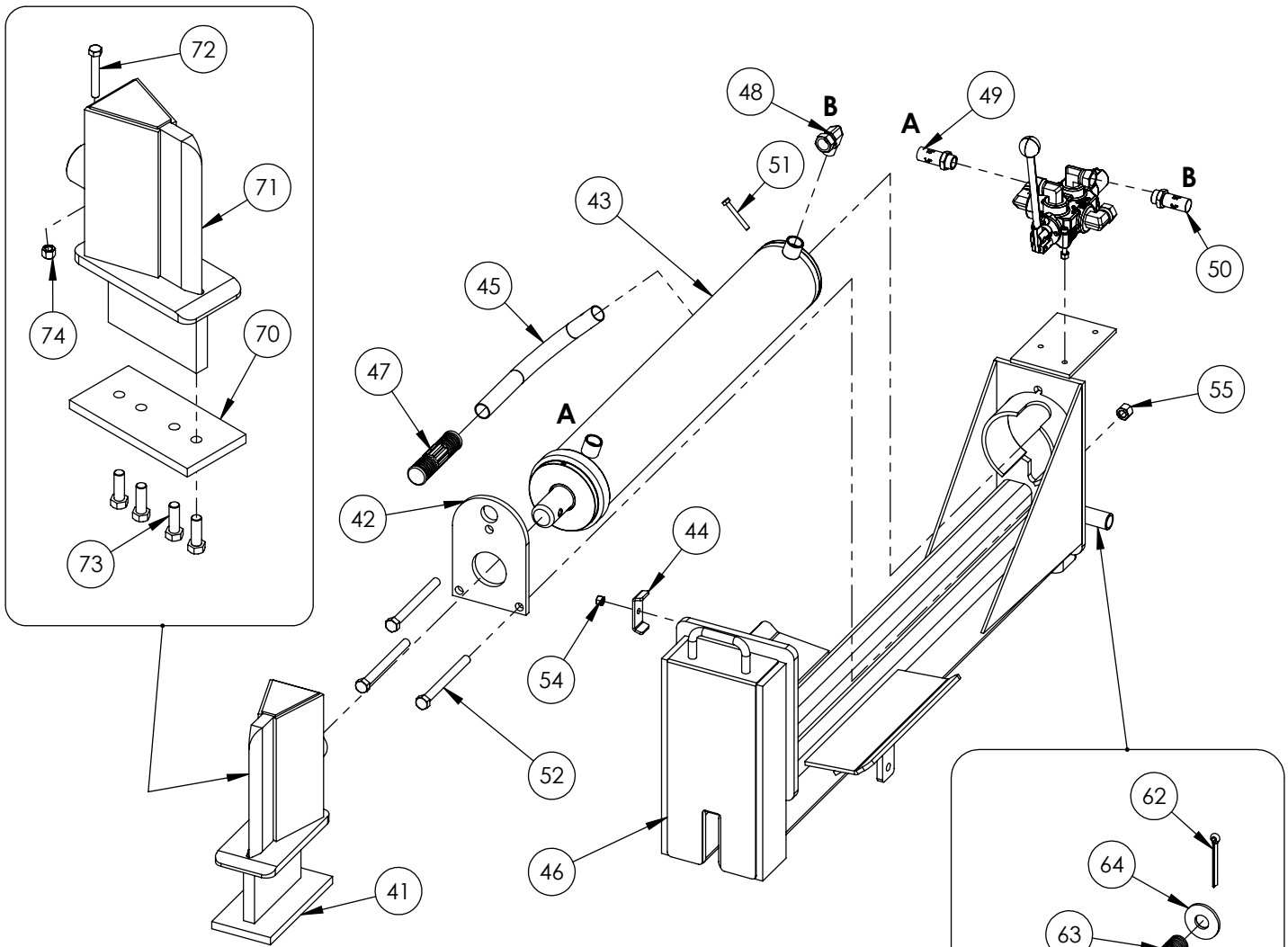
Table of Contents

| | |
|------------------------|----|
| Main Parts | 4 |
| Valve & Fittings | 7 |
| Valve | 8 |
| Hub | 10 |
| Cylinder | 11 |
| Engine & Pump | 12 |
| 4-Way Wedge (Optional) | 13 |
| Light Kit (Optional) | 14 |
| Decal Breakdown | 16 |



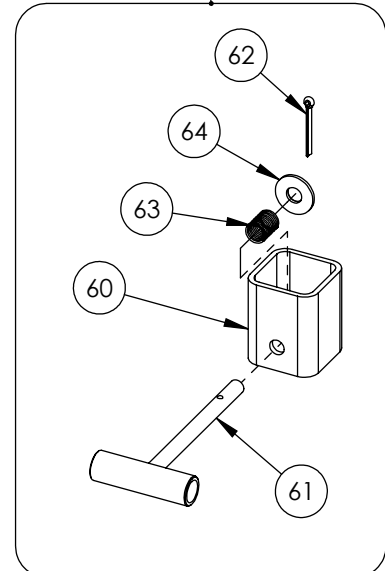
WX540 PARTS BREAKDOWN

| ITEM | PART NO. | DESCRIPTION | QTY |
|------|----------|--------------------------------|-----|
| 1 | 2016M602 | Pin, Pivot Threaded | 1 |
| 2 | 2054A402 | Breather cap dipstick | 1 |
| 3 | 2054A601 | Assembly, Main Base | 1 |
| 4 | 2054L412 | Clamp, Two Hose | 2 |
| 5 | 2054W405 | Jack Stand, Rear | 1 |
| 6 | 2054W406 | Jack Stand, Front | 1 |
| 7 | 2054W407 | Handle, Rear Jack Lock | 1 |
| 8 | Z12432 | Snapper Pin 3/8 x 2-1/2 | 1 |
| 9 | Z51221 | Reducer FP x MP 1208 | 1 |
| 10 | Z51331 | Elbow 90 MP x FPX 0808 | 1 |
| 11 | Z52309 | 1/2 Hose, 1/2MPx1/2MPx 70" | 1 |
| 12 | Z52311 | 1/2 Hose, 1/2MPx1/2MPx 75" | 1 |
| 13 | Z52405 | Suction Hose, 1" x 22" | 1 |
| 14 | Z55301 | Oil Filter - 3/4 - Particulate | 1 |
| 15 | Z55302 | Filter Cap, 3/4 x 3/4 | 1 |
| 16 | Z71530 | Hex Bolt 1/2NC x 3 | 2 |
| 17 | Z72221 | Hex Lock Nut 5/16NC | 2 |
| 18 | Z72251 | Hex Lock Nut 1/2NC | 4 |
| 19 | Z76712 | Self-tapping Screw #10 | 1 |
| 20 | Z79401 | Hose Clamp, #16 | 2 |
| 21 | Z91202 | Assembly, 1000# 4-Bolt Hub | 2 |
| 22 | Z91301 | 4.80-8 LRB SportTrail | 2 |
| 23 | Z91614 | 2" Hitch Coupler | 1 |
| 24 | Z92303 | Safety Chain 1/4 x 2' | 2 |
| 25 | Z96503 | Manual Tube 3-1/2 Short | 1 |

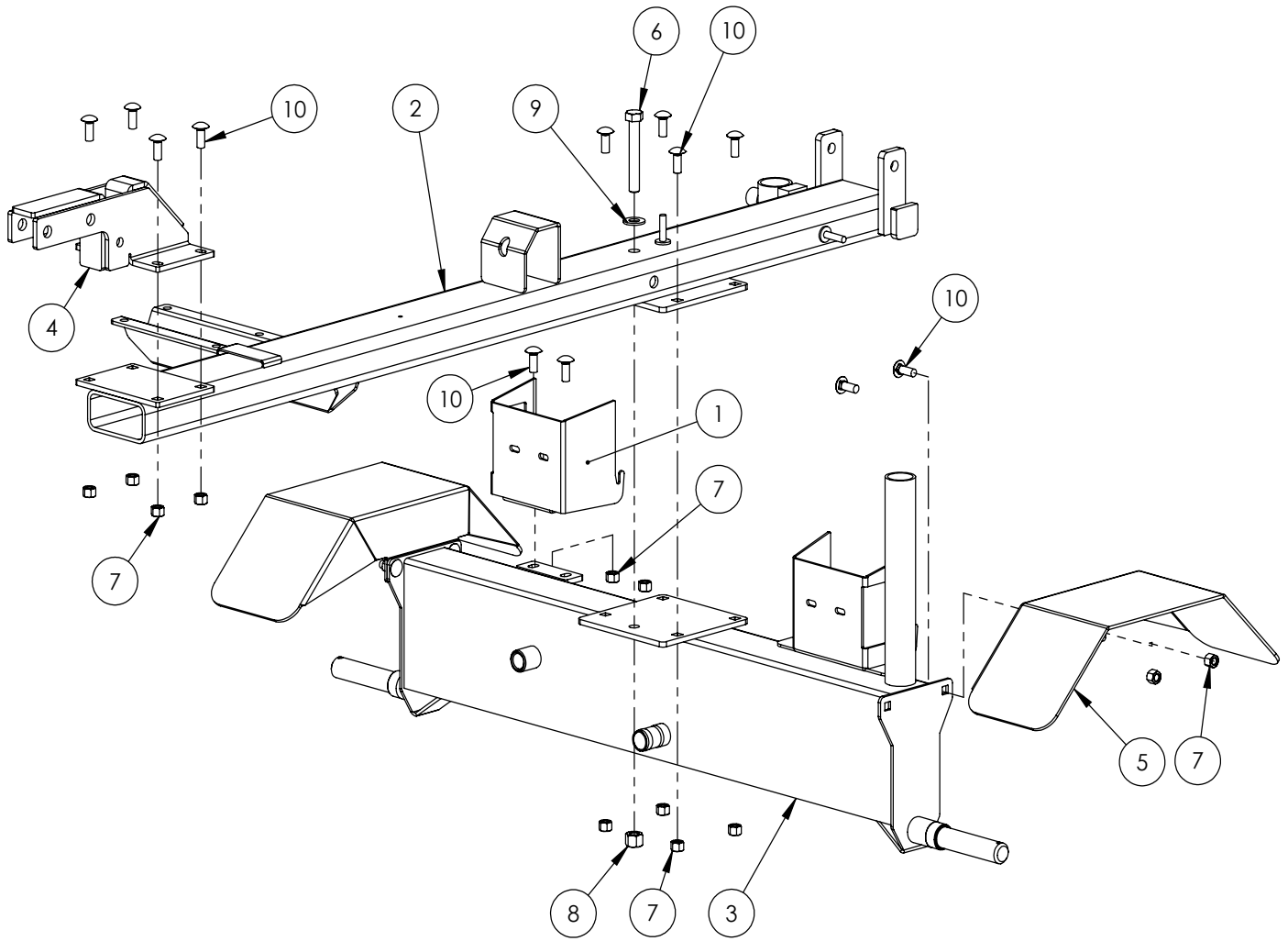


WX540 SPLITTER BASE PARTS BREAKDOWN

| ITEM | PART NO. | DESCRIPTION | QTY |
|------|----------|----------------------------------|-----|
| 40 | 2011A103 | Assembly, Valve with Fittings | 1 |
| 41 | 2014A401 | Assembly, Wide Sliding Wedge | 1 |
| 42 | 2014S421 | Plate, Cylinder Retaining (Bolt) | 1 |
| 43 | 2054C401 | Cylinder, 4 x 24 x 1-1/2 | 1 |
| 44 | 2054L412 | Clamp, Two Hose | 2 |
| 45 | 2054S414 | Handle, Lift | 1 |
| 46 | 2054W409 | Weldment, H/V Rotating Base | 1 |
| 47 | Z19321 | Grip, 1" x 5" | 1 |
| 48 | Z51331 | Elbow 90 MP x FFX 0808 | 1 |
| 49 | Z52301 | 1/2 Hose MP08 x MP08 x 16" | 1 |
| 50 | Z52305 | 1/2 Hose, MP08 x MP08 x 24" | 1 |
| 51 | Z71120 | Hex Bolt 1/4NC x 2 | 1 |
| 52 | Z71555 | Hex Bolt 1/2NC x 5-1/2 | 3 |
| 53 | Z72111 | Hex Lock Nut 1/4NC | 1 |
| 54 | Z72221 | Hex Lock Nut 5/16NC | 2 |
| 55 | Z72251 | Hex Lock Nut 1/2NC | 3 |
| ITEM | PART NO. | DESCRIPTION | QTY |
| 60 | 2016S604 | Housing, Latch Spring | 1 |
| 61 | 2016W603 | Handle, Spring Latch | 1 |
| 62 | Z12321 | Cotter Pin 3/16 X 2-1/2 | 1 |
| 63 | Z32301 | Spring 19mm x 79mm Med | 1 |
| 64 | Z73250 | Wide Flat Washer, 1/2 | 1 |
| ITEM | PART NO. | DESCRIPTION | QTY |
| 70 | 2014S414 | Plate, Sliding Wedge Capture | 1 |
| 71 | 2014W402 | Weldment, Sliding Wedge | 1 |
| 72 | Z71325 | Hex Bolt 3/8NC x 2-1/2 | 1 |
| 73 | Z71576 | Hex Bolt 1/2NF x 1-1/2 | 4 |
| 74 | Z72231 | Hex Lock Nut 3/8NC | 1 |

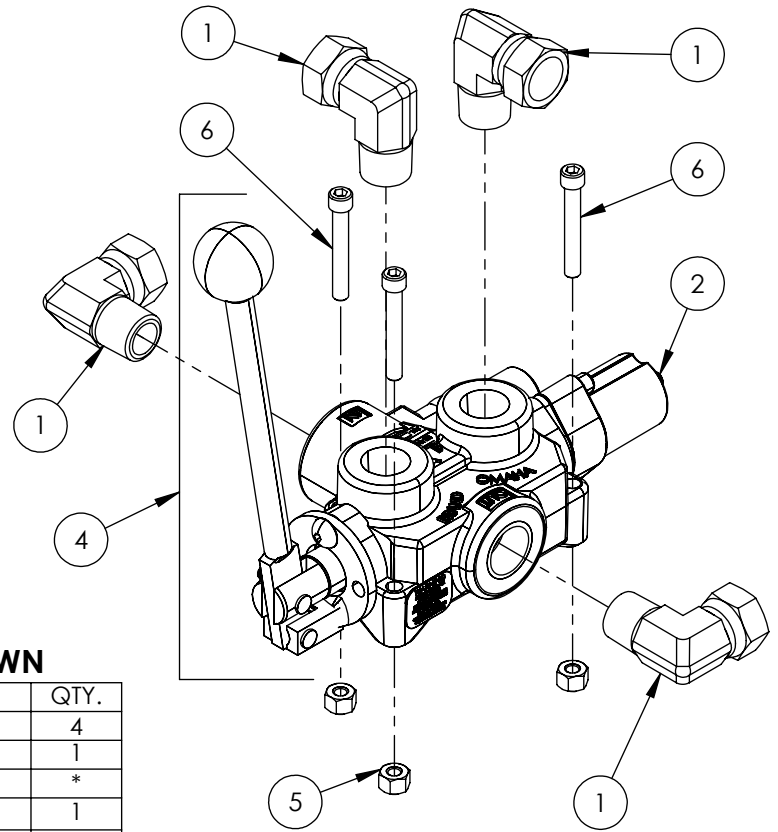


2016A602 LATCH KIT
(WELDED ON)



2054A601 PARTS BREAKDOWN

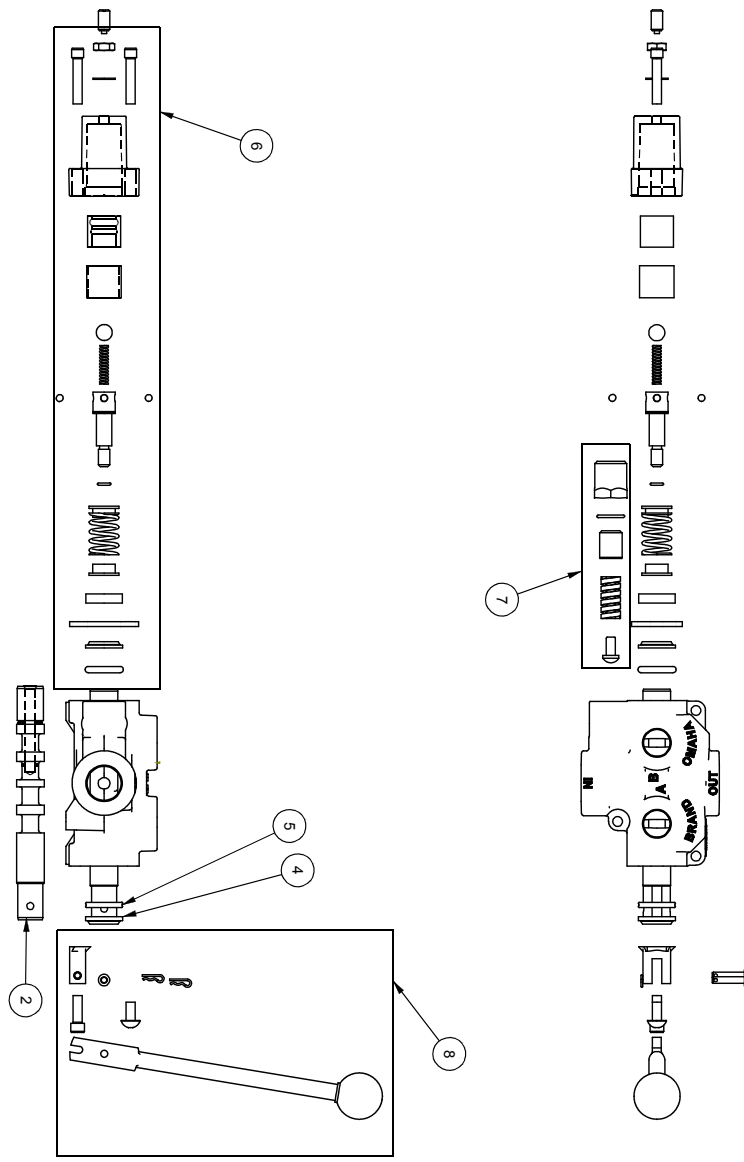
| ITEM | PART NO. | Description | QTY. |
|------|----------|-------------------------|------|
| 1 | 2054L601 | Light Bracket, RH | 1 |
| 2 | 2054W602 | Spine, Trailer | 1 |
| 3 | 2054W603 | Weldment, Tank - Axle | 1 |
| 4 | 2054W604 | Weldment, Hitch Mount | 1 |
| 5 | 2054W408 | Weldment, Fender | 2 |
| 6 | Z71535 | Hex Bolt 1/2NC x 3-1/2 | 1 |
| 7 | Z72231 | Hex Lock Nut 3/8NC | 14 |
| 8 | Z72251 | Hex Lock Nut 1/2NC | 1 |
| 9 | Z73151 | Flat Washer, 1/2 | 1 |
| 10 | Z76231 | Carriage Bolt 3/8NC x 1 | 14 |



VALVE AND FITTINGS PARTS BREAKDOWN

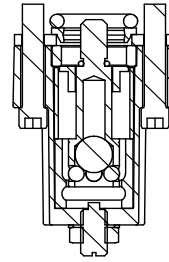
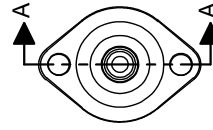
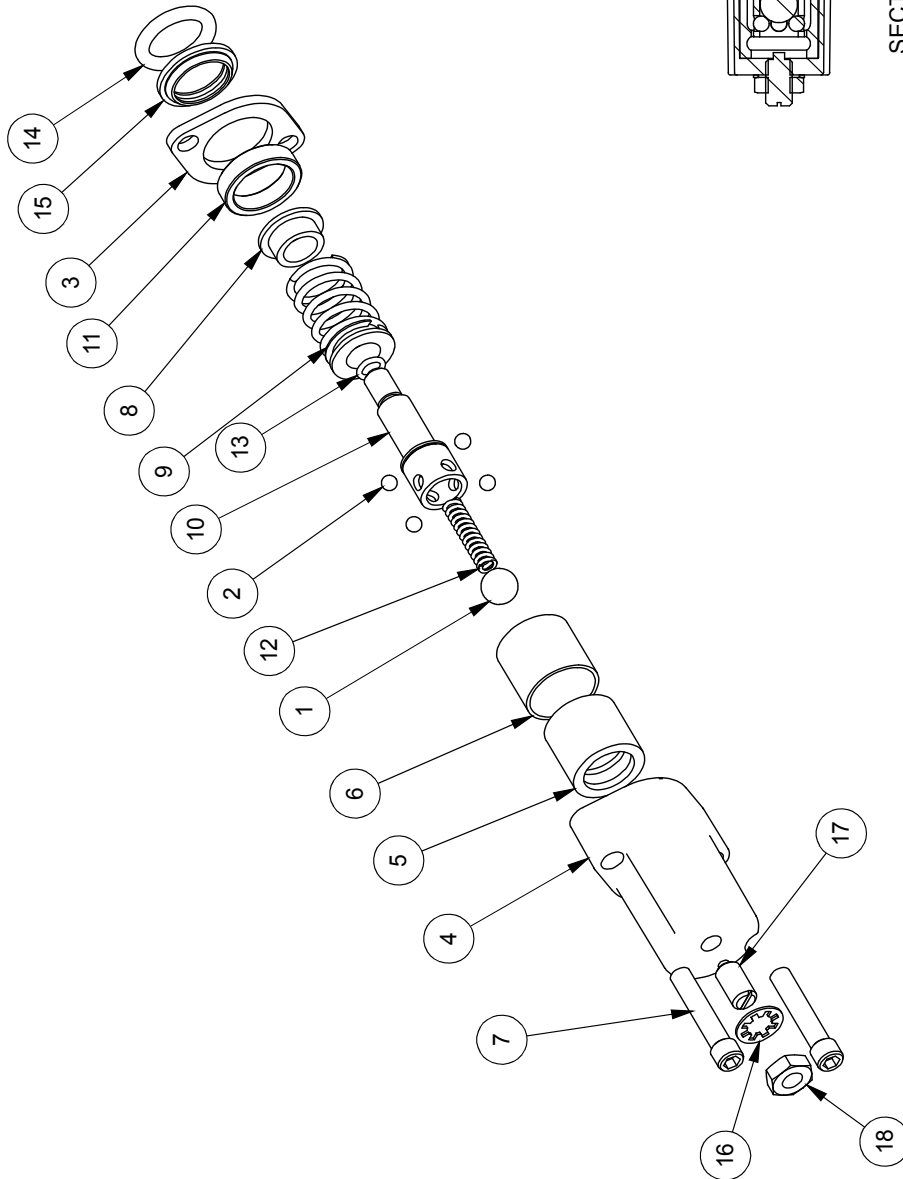
| ITEM | PART NO. | Description | QTY. |
|------|----------|--------------------------------|------|
| 1 | Z51331 | Elbow 90 MP x FPX 0808 | 4 |
| 2 | Z56209 | Valve, Single Function Detent | 1 |
| 3 | *Z56210* | Valve, Closed Center | * |
| 4 | Z56915 | Complete Handle Kit for Z56209 | 1 |
| 5 | Z72111 | Hex Lock Nut 1/4NC | 3 |
| 6 | Z75114 | SHCS, 1/4NC x 1-3/4 | 3 |

CLOSED CENTER VALVE REQUIRED FOR "C" MODELS.

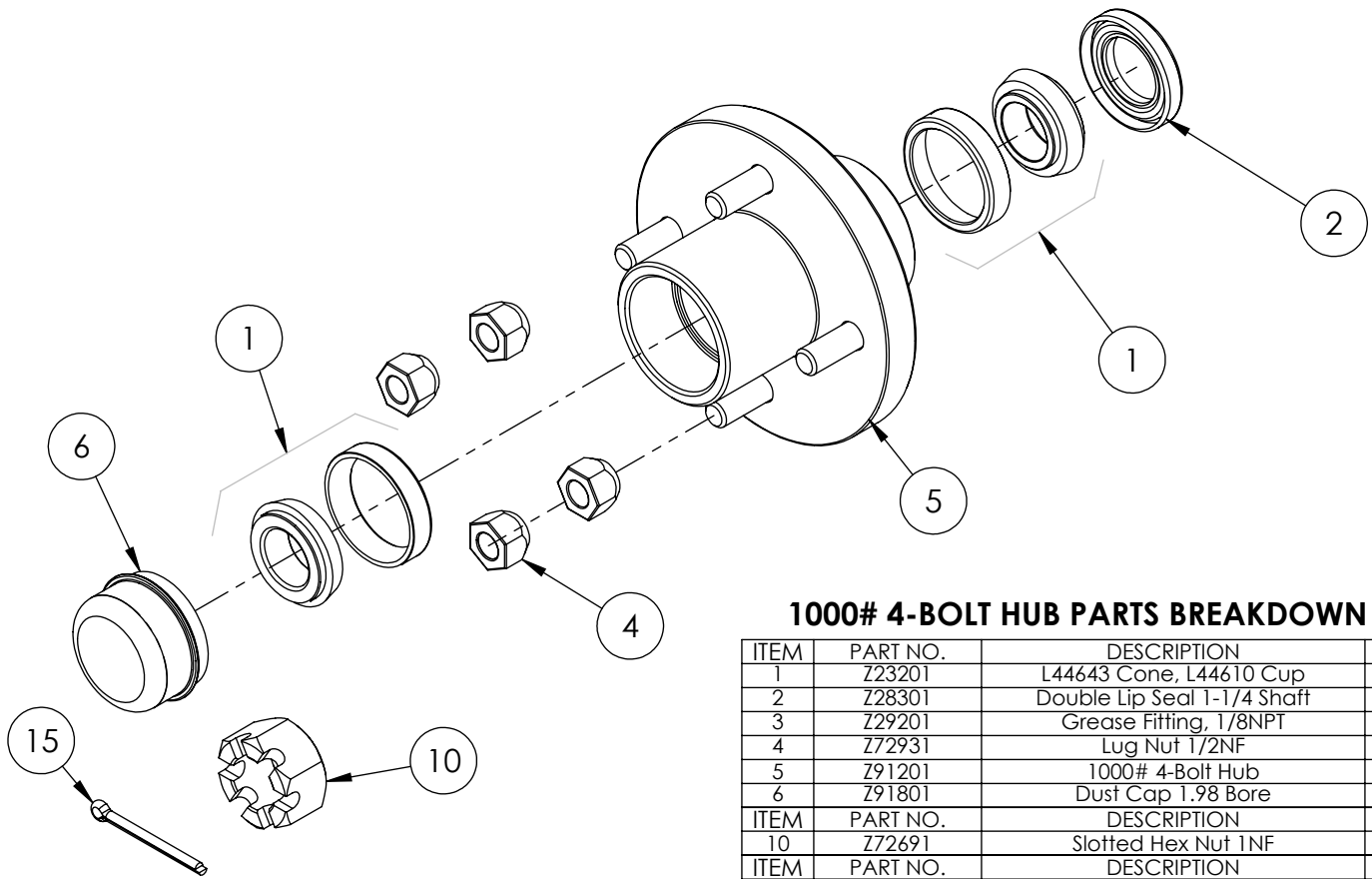


| ITEM NO. | QTY. | PART NO. | DESCRIPTION |
|----------|------|----------|----------------------|
| 1 | 1 | A0CASTB | AO CASTING |
| 2 | 1 | LS304T4J | SPOOL |
| 3 | 1 | P1740 | NAME TAG |
| 4 | 1 | SF305 | WIPEP |
| 5 | 1 | SF304 | QUAD RING |
| 6 | 1 | SUB-R.S | SUB-R.S |
| | | B5057 | 7/16 BALL |
| | | DC7604 | 3/16 BALL |
| | | SF306 | RETAINER |
| | | SF477L | SH LS ENDCAP |
| | | XD0672 | LS SLEEVE |
| | | SF483 | SPACER |
| | | SF486 | ALLEN SCREW |
| | | SF489 | CENTER STOP |
| | | SF490 | CENTERING SPRING |
| | | SF492 | HOUSING |
| | | SF315 | SPACER |
| | | LS305 | DETENT SPRING |
| | | DC7583 | O-RING 3-902 |
| | | SF496 | O-RING, BLUE, METRIC |
| | | LS306 | LS WIPER |
| | | SF502 | 5/16 LOCK WASHER |
| | | SF503 | PLUNGER SPRING |
| | | SF504 | 5/16 HEX JAM NUT |
| | | SUB-R | RELIEF |
| | | P1603 | CAP NUT |
| | | SF322 | O-RING 2-016 |
| | | SF364A | ADJ SCREW |
| | | B505 | SPRING |
| | | SF361A | POPPET |
| | | Z56915 | HANDLE KIT |
| | | SF377 | RETAINER |
| | | SF376 | SEAL RETAINER |
| | | SF367A | CLEVIS |
| | | SF368 | HANDLE |
| | | SF369 | PIN |
| | | P1767 | PIN CLIP |
| | | HP5 | MACH. SCREW |
| | | SF311 | KNOB |
| | | SF308 | CAP SCREW |
| | | SF303T4J | SPOOL |
| | | P1654 | WARNING TAG |

| ITEM NO. | QTY. | PART NO. | DESCRIPTION |
|----------|------|----------|------------------|
| 1 | 1 | B5057 | 7/16 BALL |
| 2 | 4 | DC7604 | 3/16 BALL |
| 3 | 1 | SF306 | RETAINER |
| 4 | 1 | SF477L | SH LS ENDCAP |
| 5 | 1 | SF480 | SD SLEEVE |
| 6 | 1 | SF483 | SPACER |
| 7 | 2 | SF486 | ALLEN SCREW |
| 8 | 2 | SF489 | CENTER STOP |
| 9 | 1 | SF490 | CENTERING SPRING |
| 10 | 1 | SF492 | HOUSING |
| 11 | 1 | SF315 | SPACER |
| 12 | 1 | LS305 | DETENT SPRING |
| 13 | 1 | DC7583 | O-RING 3-902 |
| 14 | 1 | SF496 | METRIC O-RING |
| 15 | 1 | LS306 | LS WIPER |
| 16 | 1 | SF502 | 5/16 LOCK WASHER |
| 17 | 1 | SF503 | SPRING PLUNGER |
| 18 | 1 | SF504 | 5/16 HEX JAM NUT |

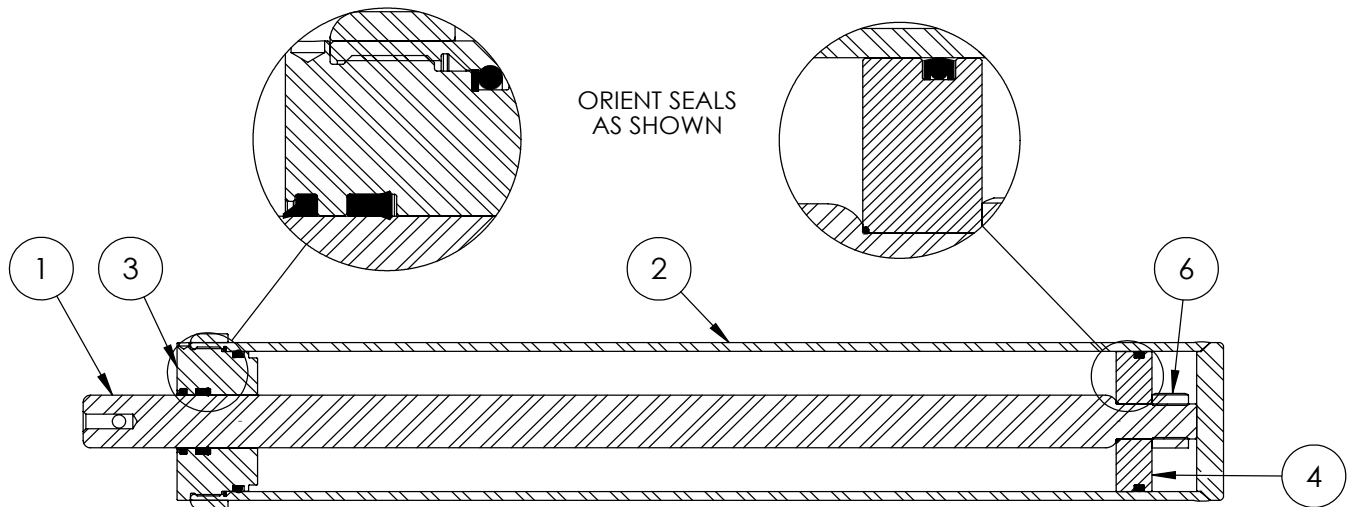


SECTION A-A



1000# 4-BOLT HUB PARTS BREAKDOWN

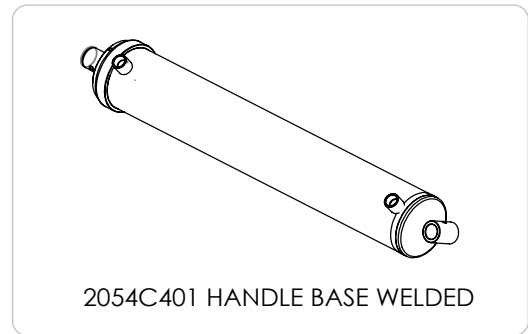
| ITEM | PART NO. | DESCRIPTION | QTY |
|------|----------|-----------------------------|-----|
| 1 | Z23201 | L44643 Cone, L44610 Cup | 2 |
| 2 | Z28301 | Double Lip Seal 1-1/4 Shaft | 1 |
| 3 | Z29201 | Grease Fitting, 1/8NPT | 1 |
| 4 | Z72931 | Lug Nut 1/2NF | 4 |
| 5 | Z91201 | 1000# 4-Bolt Hub | 1 |
| 6 | Z91801 | Dust Cap 1.98 Bore | 1 |
| ITEM | PART NO. | DESCRIPTION | QTY |
| 10 | Z72691 | Slotted Hex Nut 1NF | 1 |
| ITEM | PART NO. | DESCRIPTION | QTY |
| 15 | Z12322 | Cotter Pin 3/16 X 2 | 1 |

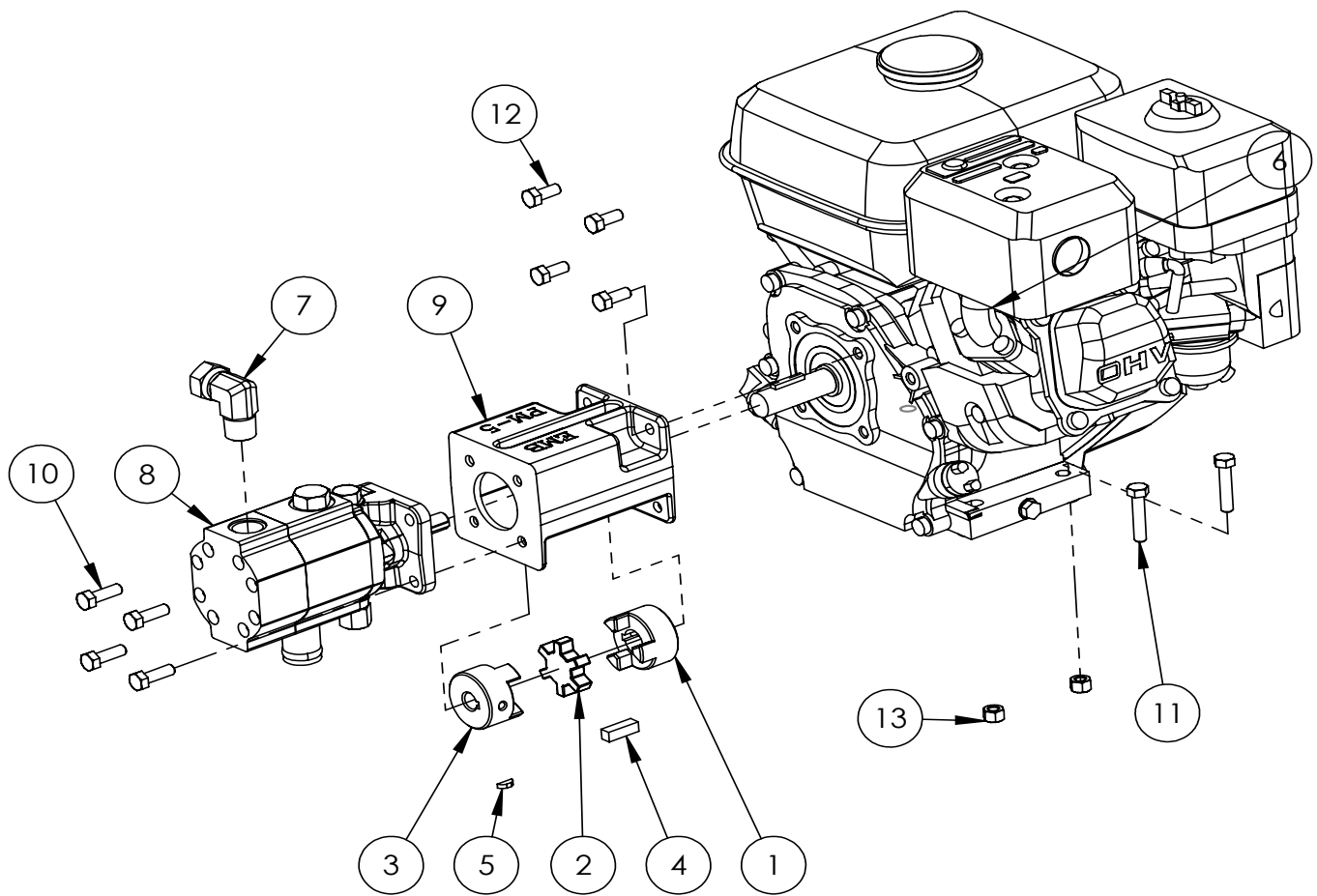


4" x 24" STROKE CYLINDER PARTS

| ITEM | PART NO. | Description | QTY. |
|------|-------------|-------------------------------|------|
| 1 | 2011C1012 | Rod, 1-1/2 x 1 | 1 |
| 2 | 2011C1014 | Barrel, 4" | 1 |
| | *2054C1015* | *Barrel, 4" with Handle Base* | * |
| 3 | G400-150SA | 4" Bore x 1-1/2" Rod Gland | 1 |
| 4 | P100-400SA | 4" Bore Piston | 1 |
| 5 | SLK-4015 | Seal Kit, 4 x 1-1/2 | 1 |
| 6 | Z72292G8 | Hex Lock Nut 1NF Grade 8 | 1 |

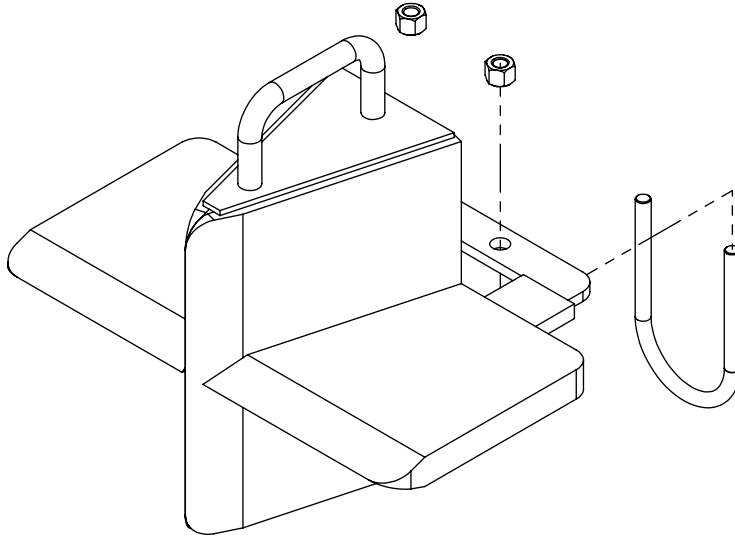
REQUIRED FOR HORIZONTAL / VERTICAL MODELS WITH HANDLE





2052A205 PARTS BREAKDOWN

| ITEM | PART NO. | DESCRIPTION | QTY |
|------|----------|--------------------------|-----|
| 1 | Z46406 | Shaft Coupler L075 x 3/4 | 1 |
| 2 | Z46408 | Coupler Spider L075 | 1 |
| 3 | Z46410 | Shaft Coupler L075 x 1/2 | 1 |
| 4 | Z46542 | Key 5/16 x 5/16 x 1 | 1 |
| 5 | Z46592 | Woodruff Key, 1/8 x 1/2 | 1 |
| 6 | Z47126 | Honda GX160 Engine | 1 |
| 7 | Z51331 | Elbow 90 MP x FPX 0808 | 1 |
| 8 | Z53204 | Pump, 11gpm Two-Stage | 1 |
| 9 | Z53801 | Pump Mounting, PM-5 | 1 |
| 10 | Z71210 | Hex Bolt 5/16NC x 1 | 4 |
| 11 | Z71215 | Hex Bolt, 5/16NC x 1-1/2 | 4 |
| 12 | Z71273 | Hex Bolt, 5/16NF x 3/4 | 4 |
| 13 | Z72221 | Hex Lock Nut 5/16NC | 4 |



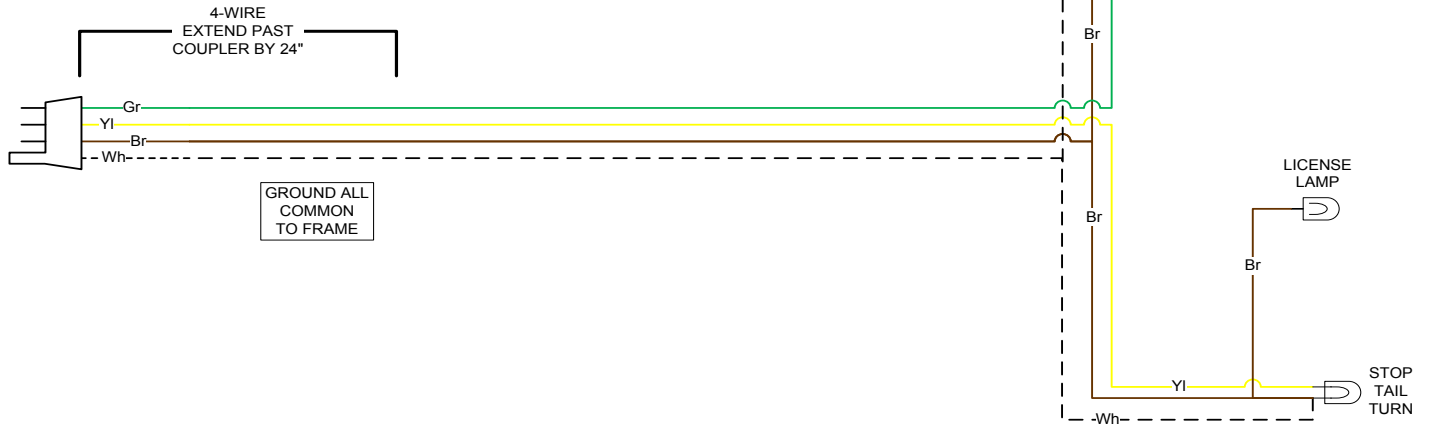
W4120 4-Way Wedge (Optional)

| ITEM | PART NO. | DESCRIPTION | QTY |
|------|----------|----------------------|-----|
| 1 | 2082W201 | Weldment, Main W4120 | 1 |
| 2 | 2082S201 | Safety U-bolt | 1 |
| 3 | Z72231 | Hex Lock Nut 3/8NC | 2 |

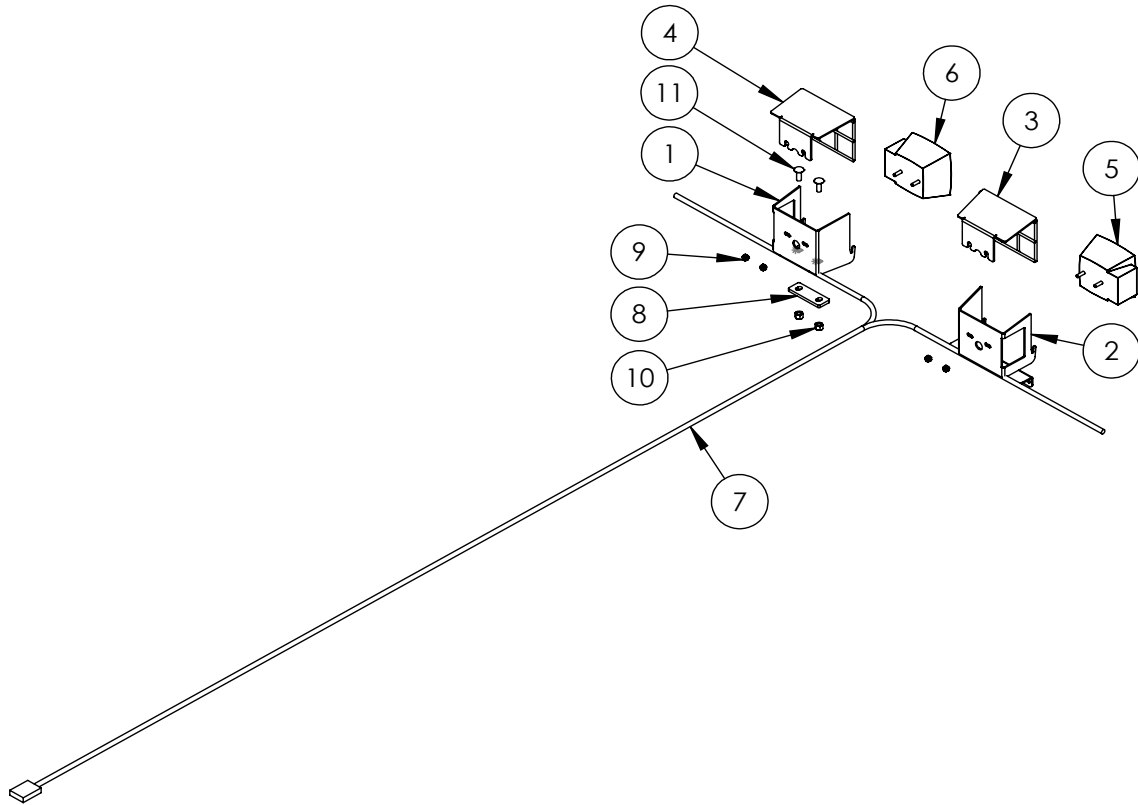
WX TRAILER SPLITTER WIRING

| KEY | |
|-----|----------|
| Bl | - BLUE |
| Br | - BROWN |
| Gr | - GREEN |
| Rd | - RED |
| Yl | - YELLOW |
| Bk | - BLACK |
| Wh | - WHITE |

RIGHT SIDE



LEFT SIDE

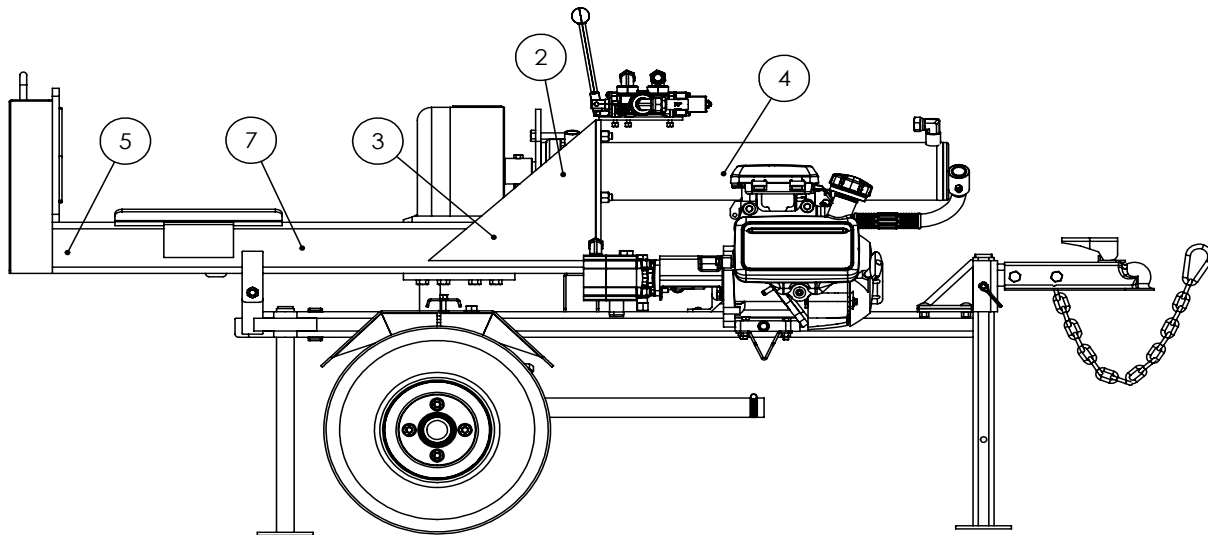
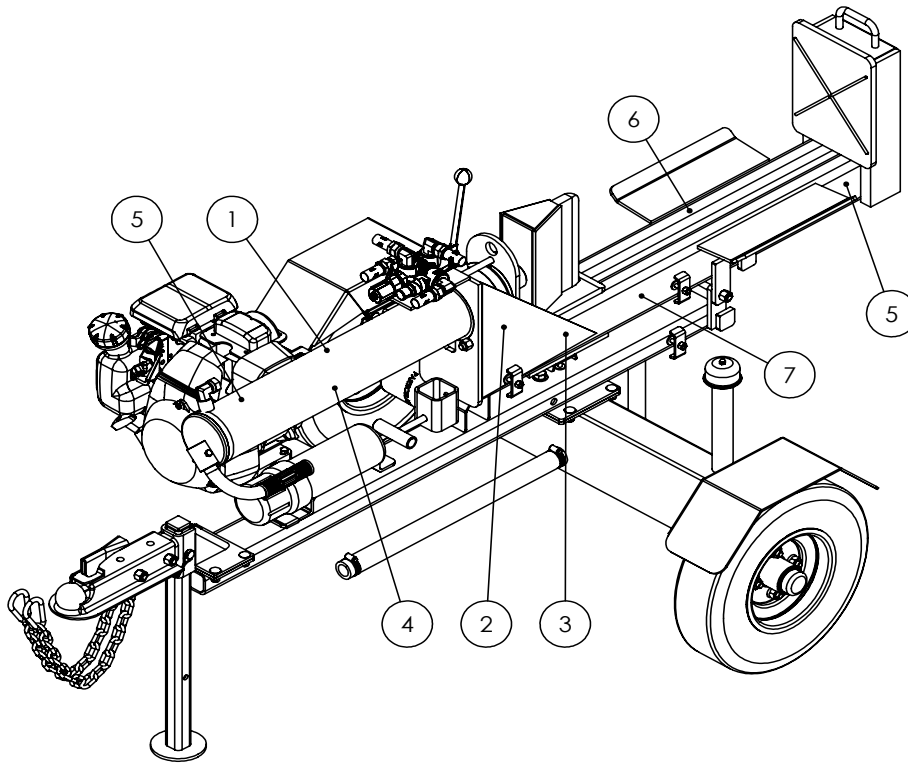


2089A350 LIGHT KIT (Optional)

| ITEM | PART NO. | DESCRIPTION | QTY |
|------|----------|------------------------------|-----|
| 1 | 2054L601 | Light Bracket, RH | 1 |
| 2 | 2054L402 | Light Bracket, LH | 1 |
| 3 | 2054W404 | Light Guard, LH | 1 |
| 4 | 2054W403 | Light Guard, RH | 1 |
| 5 | Z61106 | Stop, Turn, Tail Light LH | 1 |
| 6 | Z61107 | Stop, Turn, Tail Light RH | 1 |
| 7 | Z62102 | 10' Wishbone Trailer Harness | 1 |
| 8 | 2054L622 | Bracket, Light Base | 1 |
| 9 | Z72941 | Serrated Washer Nut 1/4NC | 4 |
| 10 | Z72231 | Hex Lock Nut 3/8NC | 2 |
| 11 | Z76231 | Carriage Bolt 3/8NC x 1 | 2 |

HORIZONTAL-VERTICAL LOG SPLITTER DECAL BREAKDOWN

| ITEM | PART NO. | DESCRIPTION | QTY |
|------|----------|---------------------------|-----|
| 1 | Z94039 | CAUTION - Read Manual | 1 |
| 2 | Z94040 | WARNING - Moving Wedge | 2 |
| 3 | Z94067 | Clear Guide | 2 |
| 4 | Z94056 | Wallenstein | 2 |
| 5 | Z94019 | Made in Canada | 3 |
| 6 | Z94066 | Apply Oil or Grease | 1 |
| 7 | Z94045 | WARNING - Lock Stabilizer | 2 |



Horizontal-Vertical Log Splitter Decals

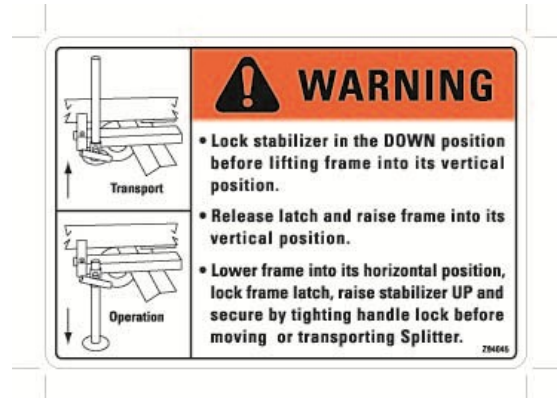
Z94056



Z94067



Z94045



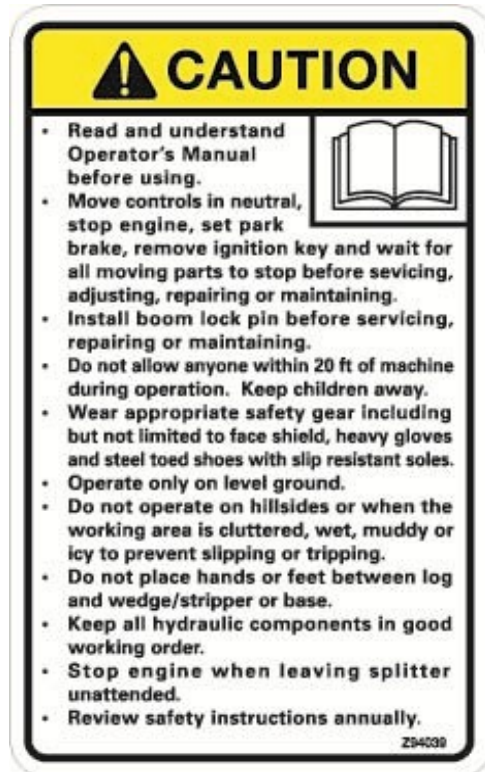
Z94066



Z94019



Z94039

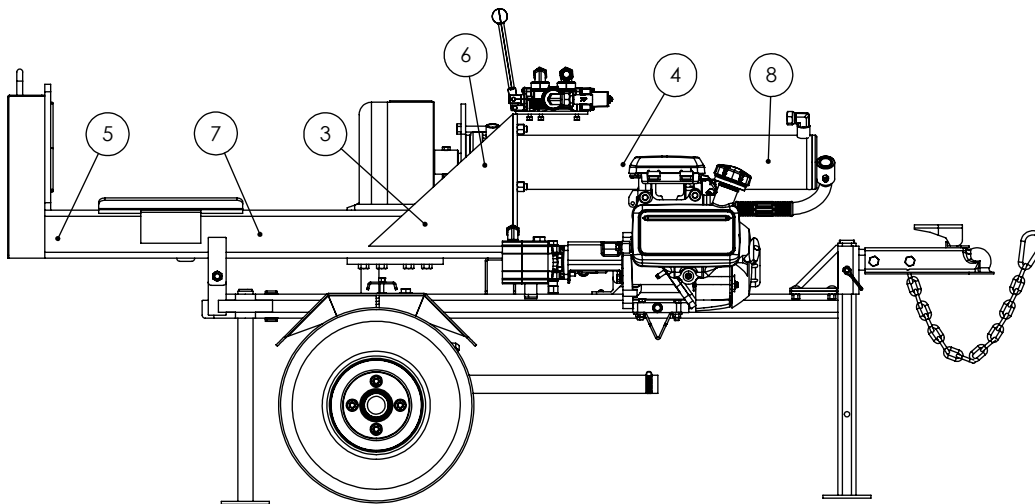
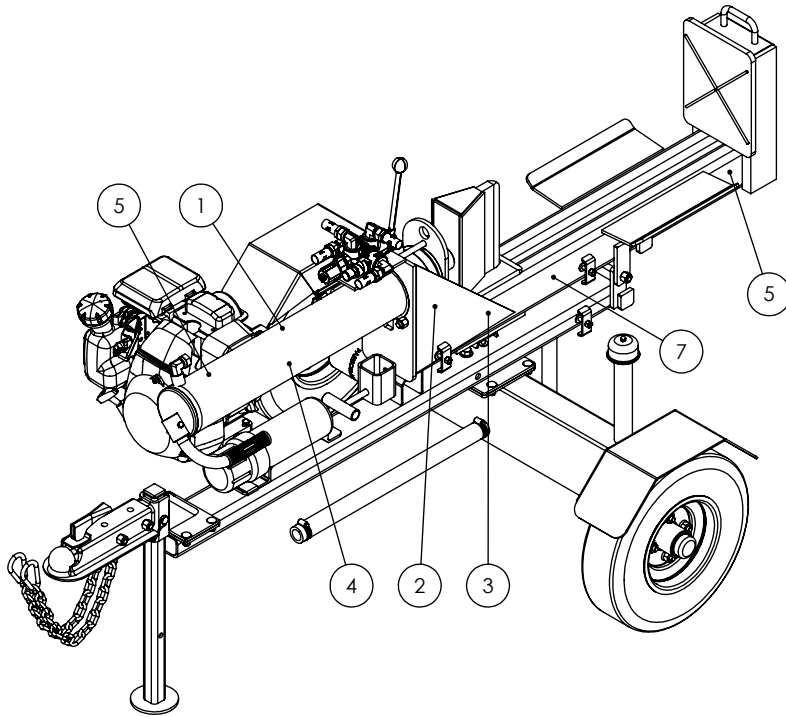


Z94040



TWO PANEL HORIZONTAL-VERTICAL LOG SPLITTER DECAL BREAKDOWN

| ITEM | PART NO. | DESCRIPTION | QTY |
|------|----------|---------------------------|-----|
| 1 | Z94119 | CAUTION - Read Manual | 1 |
| 2 | Z94123 | Keep Feet Clear | 1 |
| 3 | Z94067 | Clear Guide | 2 |
| 4 | Z94056 | Wallenstein | 2 |
| 5 | Z94019 | Made in Canada | 3 |
| 6 | Z94124 | Keep Hands Clear | 1 |
| 7 | Z94147 | WARNING - Lock Stabilizer | 2 |
| 8 | Z94142 | 99 dB Sound Level | 1 |



Two Panel Horizontal-Vertical Trailer Splitter Decals

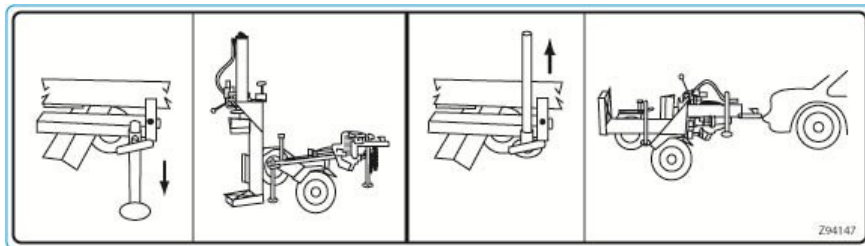
Z94067



Z94142



Z94147



Z94019



Z94056



Z94119



Z94123



Z94124





WALLENSTEIN Products Manufactured by:

EMB MFG Inc.

4144 Boomer Line
St. Clements, Ontario
Canada N0B 2M0
Phone: 1-877-695-9283
Fax: 519-699-4146
www.embmfg.com