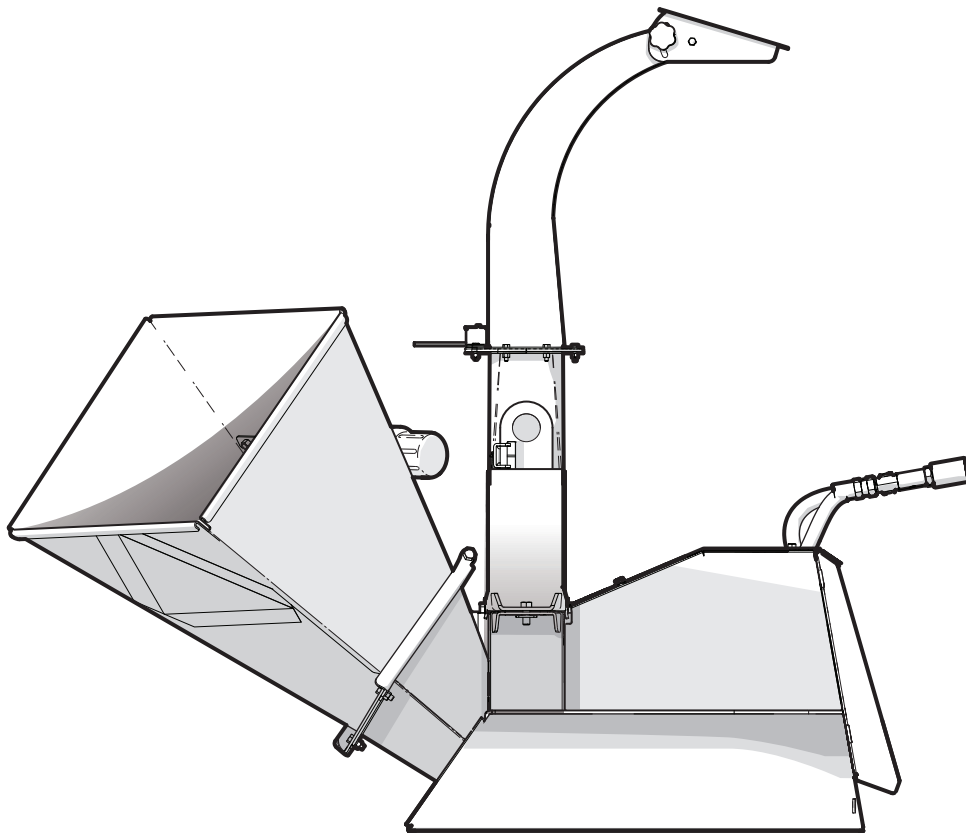


PARTS MANUAL

Serial Number A0881030 to A08810233

BXH42 **Skid Steer Mounted Wood Chipper**



Foreword

This Wallenstein parts manual is prepared to assist customers in ordering quality OEM replacement parts.

Regular maintenance combined with replacing old, worn or broken parts with the correct OEM parts is essential in prolonging the life of your Wallenstein product. Refer to this manual to identify replacement parts.

To order parts, contact your Wallenstein dealer or distributor. Have the product model and serial number handy.

If your dealer is no longer available, please go to our website: <http://wallensteinequipment.com> and click on the [Dealer Locator](#) to find the nearest dealer.

All information contained in this parts manual is current as per the revision date at the bottom of the page. Wallenstein reserves the right to change product specifications at any time without notice.

If your product specifications differ from those contained in this manual, contact Wallenstein for current information.

Reproduction of information in this parts manual is prohibited without prior written permission from Wallenstein Equipment Inc.

Wallenstein Equipment Inc. • © 2020

WARNING!

Refer to the operators manual for safe operation and maintenance.

Maintenance should be performed by trained personnel only.

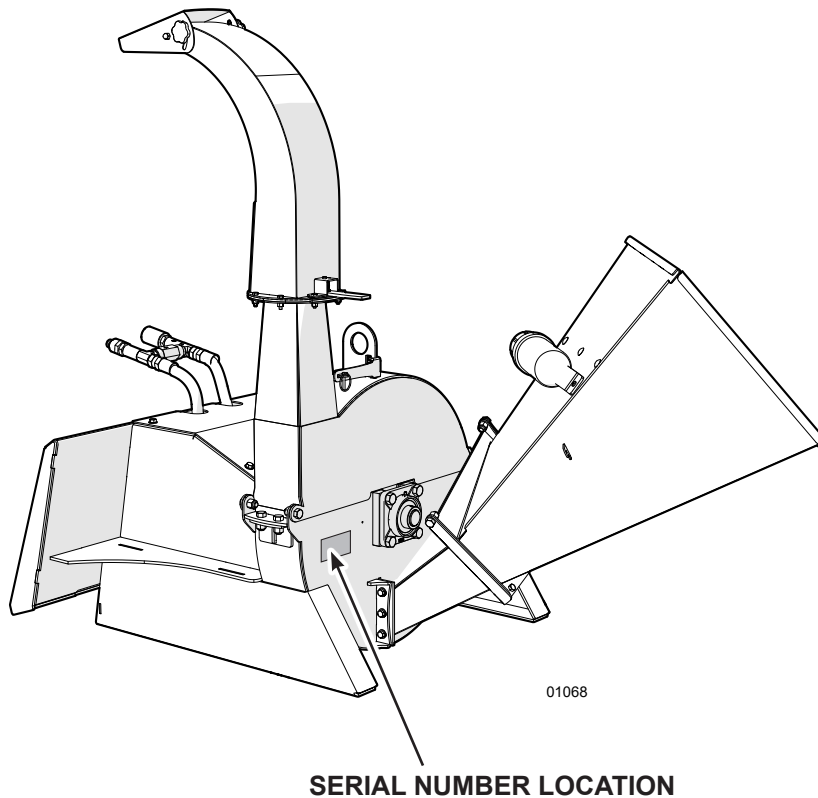
Serial Number Location

Always provide the model and serial number of your Wallenstein product when ordering parts or requesting service or other information. This information is found on the product information plate as shown below.

Record your product information here for future reference.

Model _____

Serial Number _____

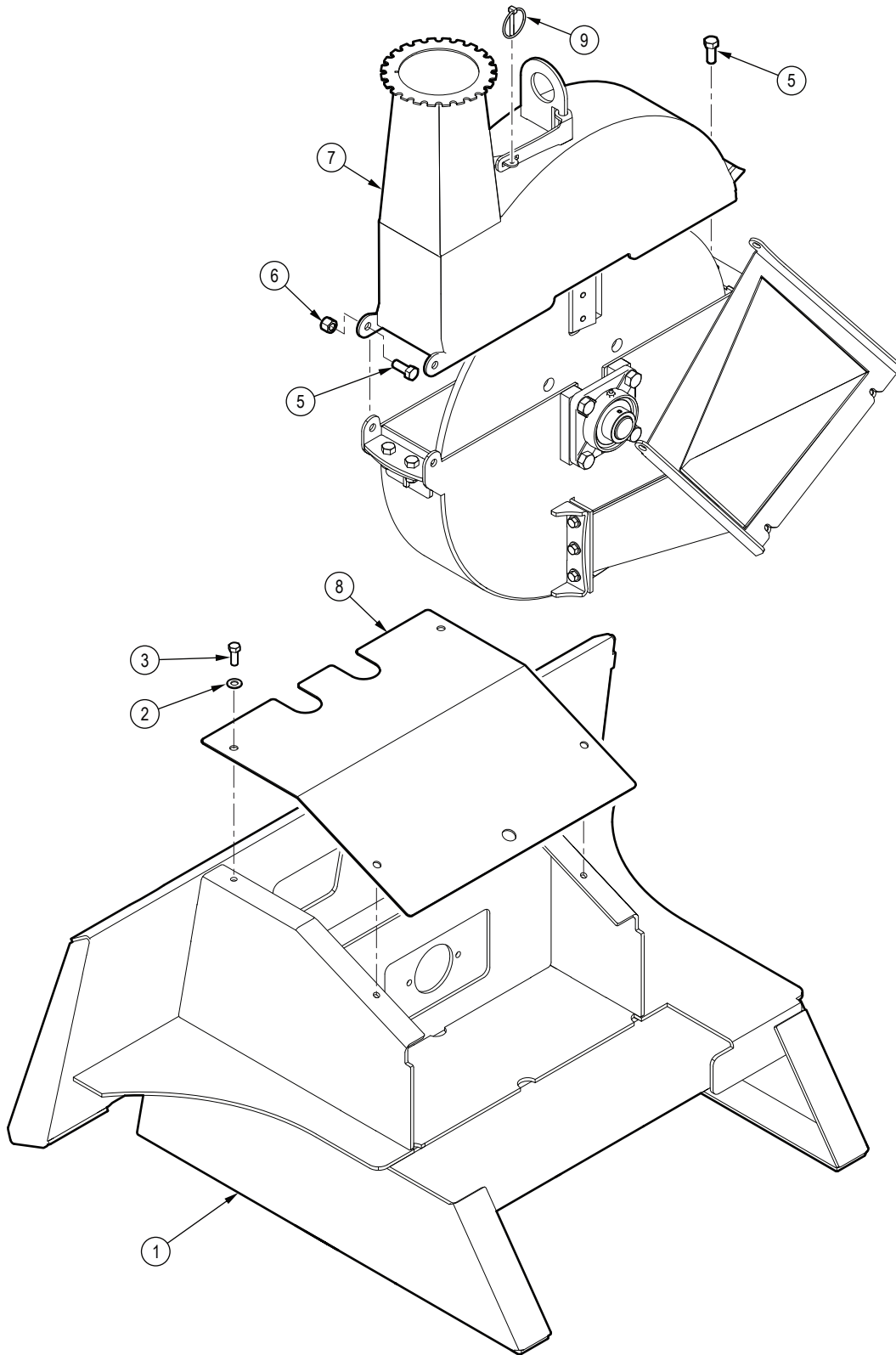


www.wallensteinequipment.com

Contents

Main Parts	4
Discharge Chute	5
Feed Chute	6
Lower Rotor Housing and Rotor	7
Hydraulic Plumbing Diagram	8
Decal Layout	9
Decal Layout	10
Common Bolt Torque Values	11
Hydraulic Fitting Torque Values	12

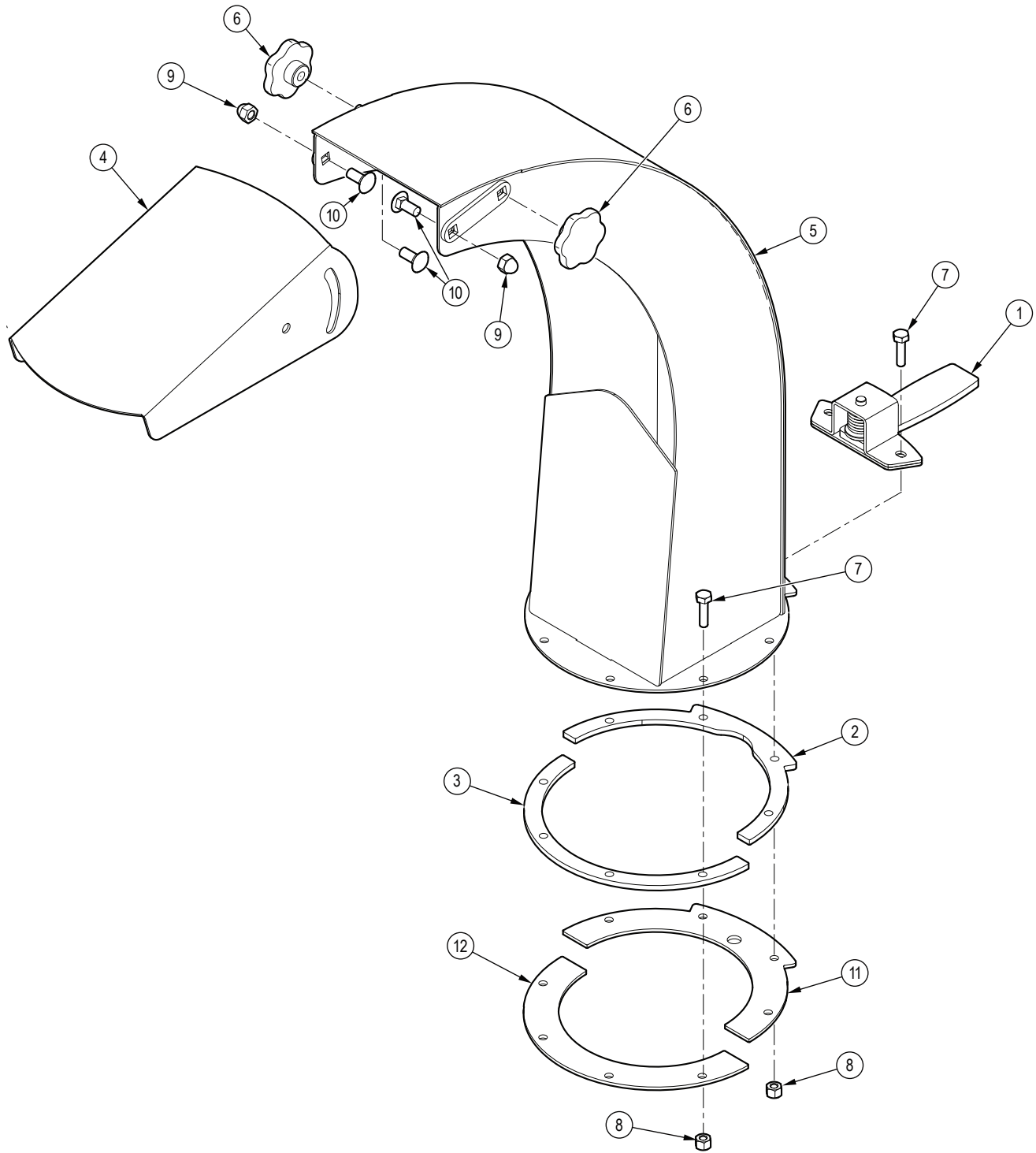
Main Parts



Item No.	Description	Description	Qty
1	1031W101	Main Frame	1
2	Z73130	Flat Washer	4
3	Z71315	Hex Bolt_AI-3	4
5	Z71512-57	Hex Bolt, 1/2NC x 1-1/4"	3

Item No.	Description	Description	Qty
6	Z72251-20	Hex Lock Nut, 1/2NC	2
7	1052W292	Housing, Upper Rotor	1
8	1031L110	Guard, Top	1
9	Z12110	Lynch Pin, 3/16"	1

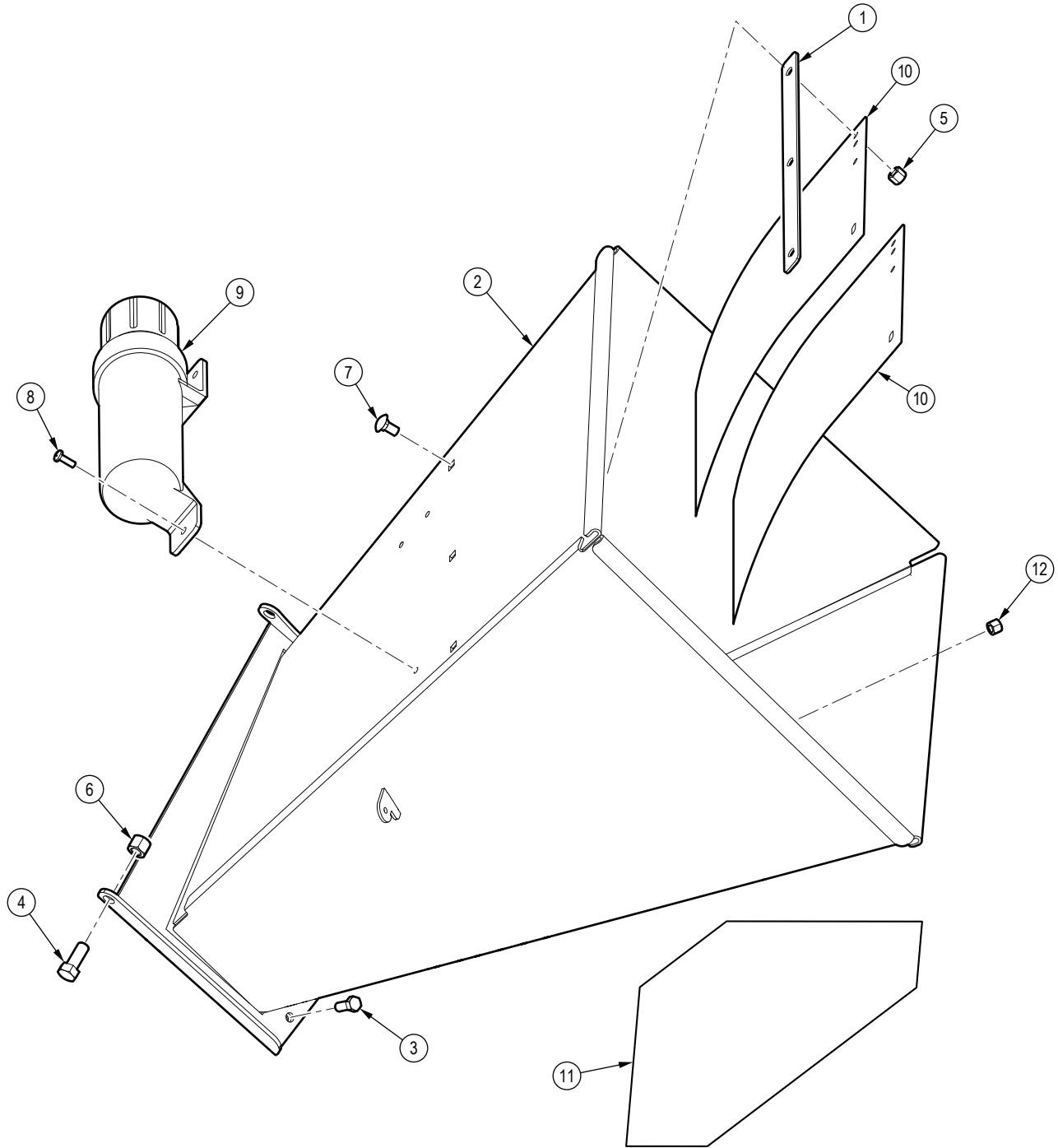
Discharge Chute



Item No.	Description	Description	Qty
1	1012W208	Assembly, Hood Latch	1
2	1016L029	Plate, Spacer Ring	1
3	1016L027	Plate, Spacer Ring	1
4	1016L033	Deflector, Discharge Chute	1
5	1016W007	Discharge Chute	1
6	Z19313	Hand Knob, 5/16NC Female Stud	2

Item No.	Description	Description	Qty
7	Z71110	Hex Bolt, 1/4NC x 1"	8
8	Z72211	Hex Lock Nut, 1/4NC	8
9	Z72914	Acorn Nut, 5/16NC	2
10	Z76221	Carriage Bolt, 5/16NC x 3/4"	4
11	1016L030	Plate, Hood Capture	2
12	1016L034	Plate, Hood Capture	4

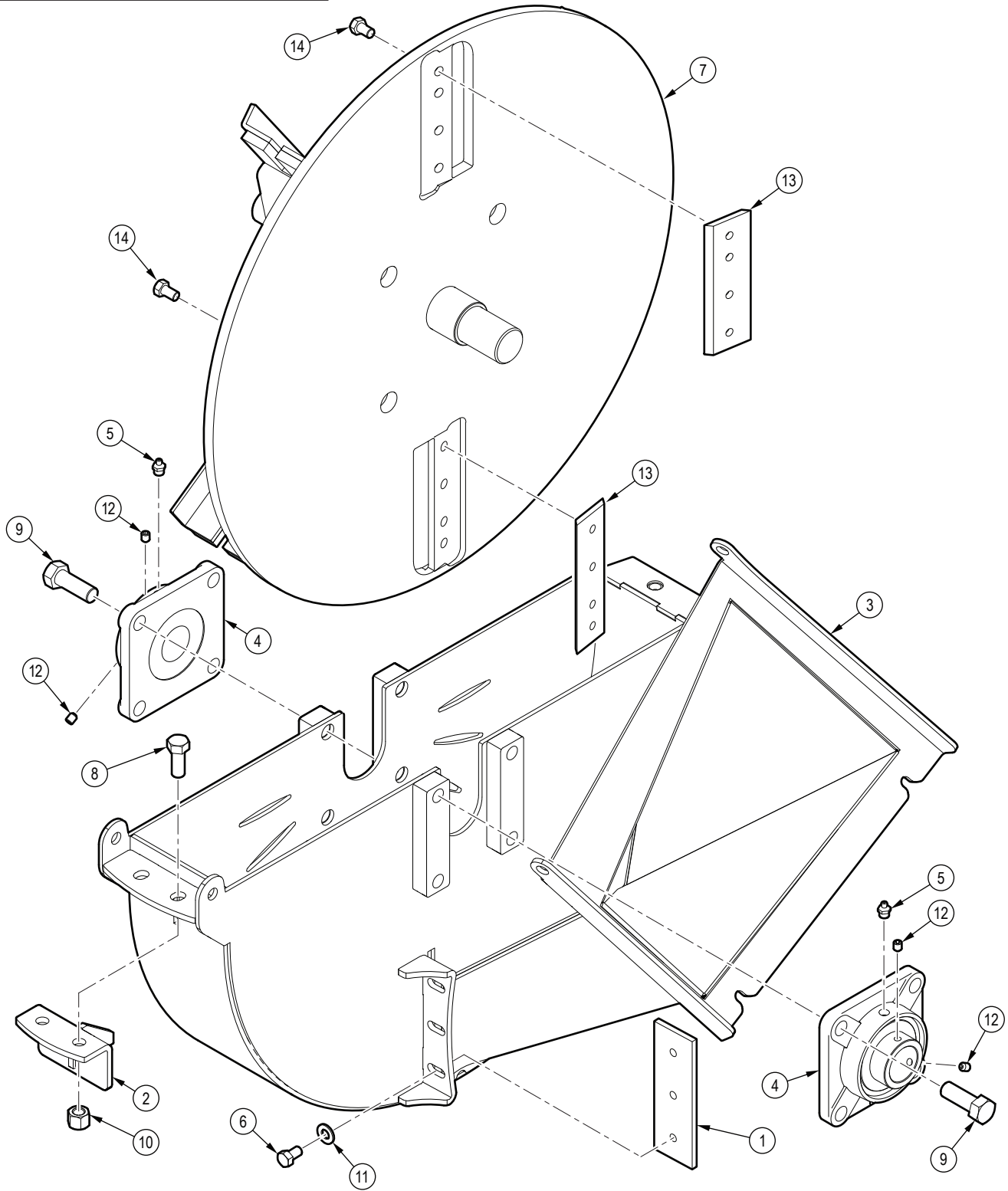
Feed Chute



Item No.	Description	Description	Qty
1	1011L151	Strap, Hopper Flap	1
2	1011W108	Weldment, Infeed Hopper	1
3	Z71310	Hex Bolt, 3/8NC x 1"	2
4	Z71512	Hex Bolt, 1/2NC x 1-1/4"	2
5	Z72231	Hex Lock Nut, 3/8NC	3
6	Z72251	Hex Lock Nut, 1/2NC	2

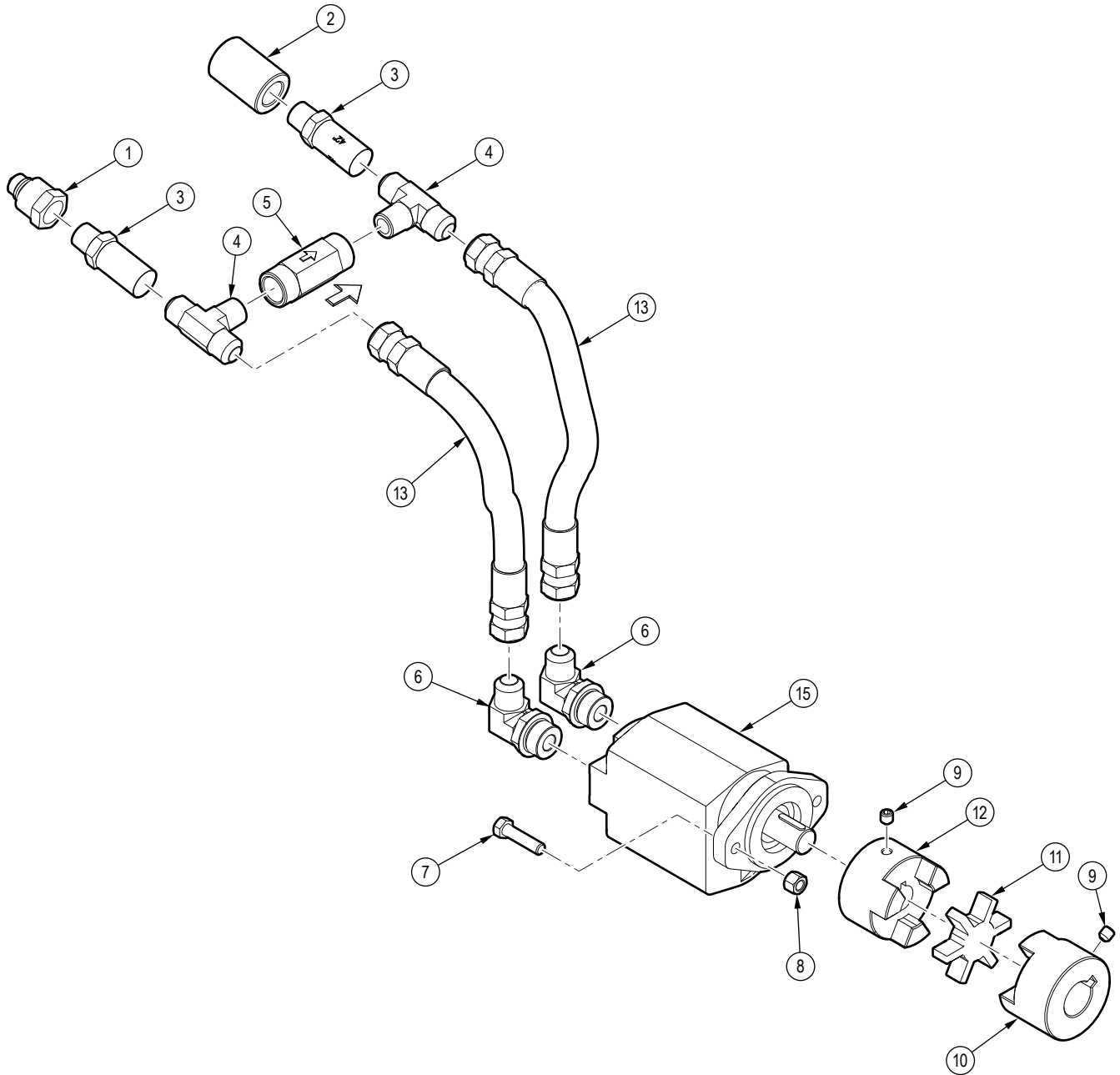
Item No.	Description	Description	Qty
7	Z76233	Carriage Bolt, 3/8NC x 3/4"	3
8	Z78301	Machine Screw, 1/4NC x 3/4"	3
9	Z96503	Manual Tube, 3-1/2" Short	1
10	1011S103	Flap, Hopper	2
11	Z94601	Decal, SMV	2
12	Z72211	Hex Lock Nut, 1/4NC	3

Lower Rotor Housing and Rotor



Item No.	Description	Description	Qty	Item No.	Description	Description	Qty
1	1011M104	Knife, 4" Ledger	1	8	Z71512	Hex Bolt, 1/2NC x 1-1/4"	2
2	1011W104	Twig Breaker	1	9	Z71672G8	Hex Bolt, 5/8NF x 1-3/4" G8	8
3	1031W102	Housing, Bottom Rotor	1	10	Z72251	Hex Lock Nut, 1/2NC	2
4	Z25204	4-Bolt Flange Bearing, UCF208-24	2	11	Z73131	SAE Washer, 3/8"	3
5	Z29201	Grease Fitting, MP02	2	12	Z74122	Set Screw, 5/16NF x 3/8"	4
6	Z71372G8	Hex Bolt, 3/8NF x 5/8" G8	1	13	1011M103	Knife, 4"	2
7	1031W393	BXH42 Rotor, 2-Knife	1	14	Z71372G8	Hex Bolt, 3/8NF x 5/8" G8	8

Hydraulic Plumbing Diagram



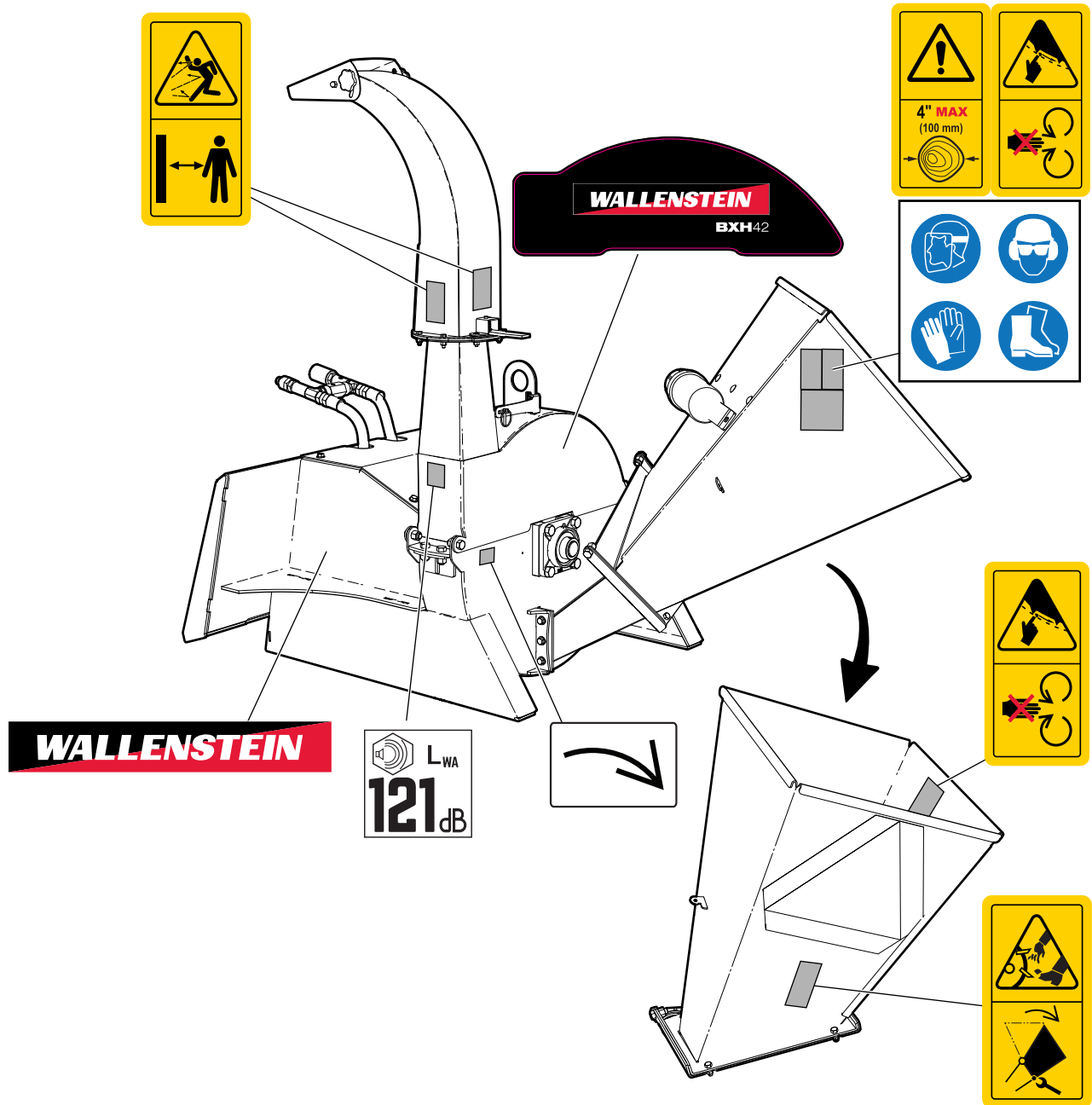
Item No.	Part No.	Description	Qty
1	Z51906	Flat-Face Coupler, FP12 x M ISO 16028	1
2	Z51907	Flat-Face Coupler, FP12 x F ISO 16028	1
3	Z52402	3/4" Hose, FJIC12 x MP12 x 42"	2
4	Z51481	Tee, MJIC x MJIC x MP 121212	2
5	Z56101	Check Valve, FP12 x 5PSI	1
6	Z51652	Elbow 90, MJIC x MORB 1216	2
7	Z71315	Hex Bolt_AI-2	2
8	Z72231	Hex Lock Nut 3/8NC	2

Item No.	Part No.	Description	Qty
9	Z74130	Set Screw 3/8NC	2
10	Z46402	Shaft Coupling, L110 x 1-3/8"	1
11	Z46403	Spider, L110	1
12	Z46401	Shaft Coupling, L110 x 1"	1
13	Z52401	3/4" Hose, FJIC12 x MP12 x 24"	2
15	Z54101	Hydraulic Motor, BXH42	1

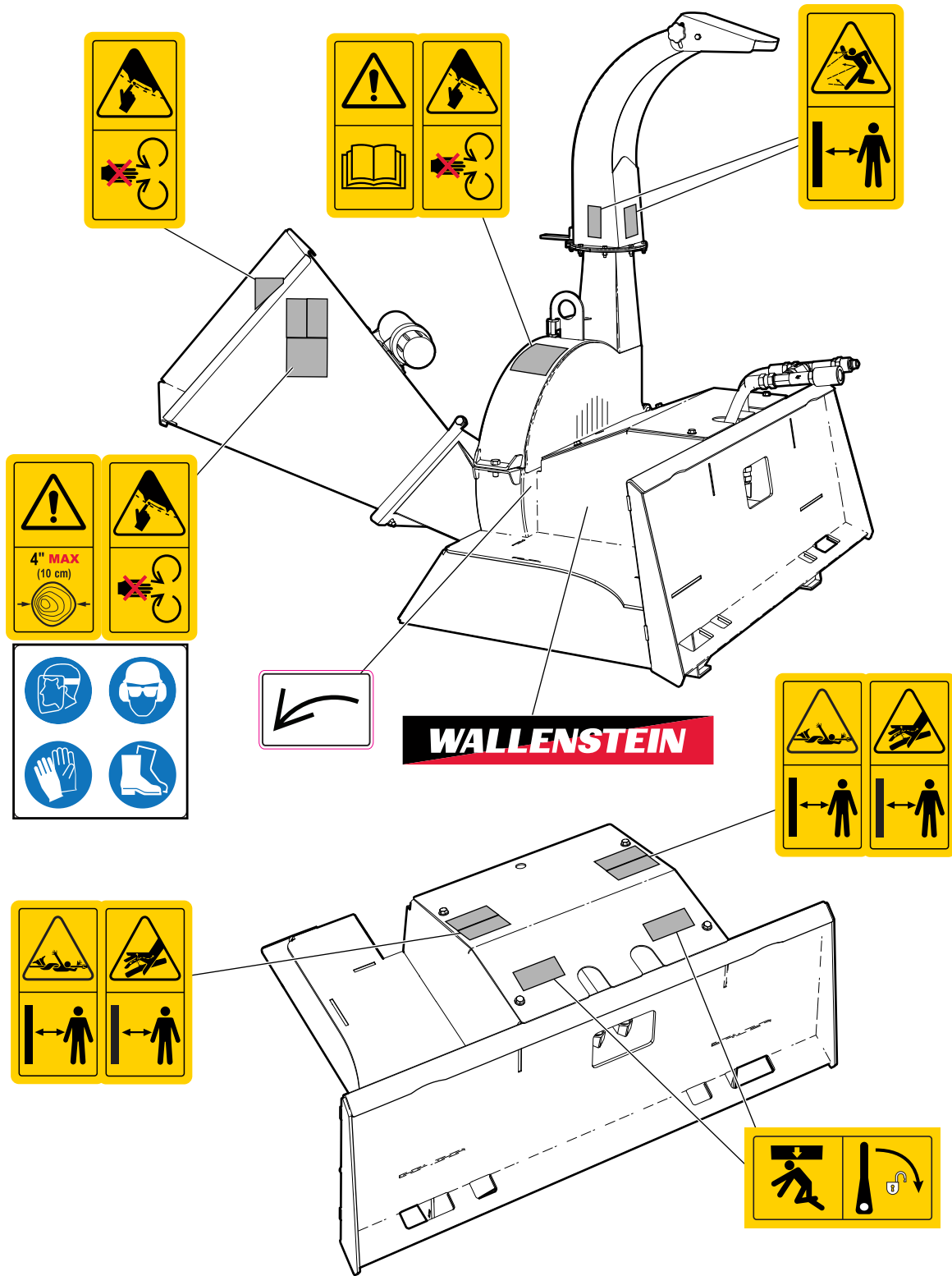
Decal Layout

IMPORTANT! If parts are replaced that have safety signs on them, new signs must be applied. Safety signs must always be replaced if they become damaged, are removed, or become illegible.

Safety signs are included in the product decal kit available from your authorized dealer. Decals are not available separately.



Decal Layout




Common Bolt Torque Values

Checking Bolt Torque

The tables shown give correct torque values for various bolts and capscrews. Tighten all bolts to the torque values specified in the table, unless indicated otherwise. Check tightness of bolts periodically.

IMPORTANT! If replacing hardware, use fasteners of the same grade.

IMPORTANT! Torque figures indicated in the table are for non-greased or non-oiled threads. Do not grease or oil threads unless indicated otherwise. When using a thread locker, increase torque values by 5%.

 **NOTE:** Bolt grades are identified by their head markings.

Imperial Bolt Torque Specifications

Bolt Diameter	Torque Value					
	SAE Gr. 2		SAE Gr. 5		SAE Gr. 8	
	lbf•ft	N•m	lbf•ft	N•m	lbf•ft	N•m
1/4"	6	8	9	12	12	17
5/16"	10	13	19	25	27	36
3/8"	20	27	33	45	45	63
7/16"	30	41	53	72	75	100
1/2"	45	61	80	110	115	155
9/16"	60	95	115	155	165	220
5/8"	95	128	160	215	220	305
3/4"	165	225	290	390	400	540
7/8"	170	230	420	570	650	880
1"	225	345	630	850	970	1320



SAE Gr. 2



SAE Gr. 5



SAE Gr. 8

Metric Bolt Torque Specifications

Bolt Diameter	Torque Value			
	Gr. 8.8		Gr. 10.9	
	lbf•ft	N•m	lbf•ft	N•m
M3	0.4	0.5	1.3	1.8
M4	2.2	3	3.3	4.5
M6	7	10	11	15
M8	18	25	26	35
M10	37	50	52	70
M12	66	90	92	125
M14	83	112	116	158
M16	166	225	229	310
M20	321	435	450	610
M30	1,103	1 495	1,550	2 100



8.8



10.9

Hydraulic Fitting Torque Values

Tightening Flare Type Tube Fittings

1. Check flare and flare seat for defects that might cause leakage.
2. Align tube with fitting before tightening.
3. Hand-tighten swivel nut until snug.
4. To prevent twisting the tube, use two wrenches. Place one wrench on the connector body and tighten the swivel nut with the second. Torque to values shown.

If a torque wrench is not available, use the FFFT (Flats From Finger Tight) method.

Hydraulic Fitting Torque					
Tube Size OD	Hex Size Across Flats	Torque value		Flats From Finger Tight	
		lbf•ft	N•m	Flats	Turns
3/16	7/16	6	8	2	1/6
1/4	9/16	11–12	15–17	2	1/6
5/16	5/8	14–16	19–22	2	1/6
3/8	11/16	20–22	27–30	1-1/4	1/6
1/2	7/8	44–48	59–65	1	1/6
5/8	1	50–58	68–79	1	1/6
3/4	1-1/4	79–88	107–119	1	1/8
1	1-5/8	117–125	158–170	1	1/8

Values shown are for non-lubricated connections.