

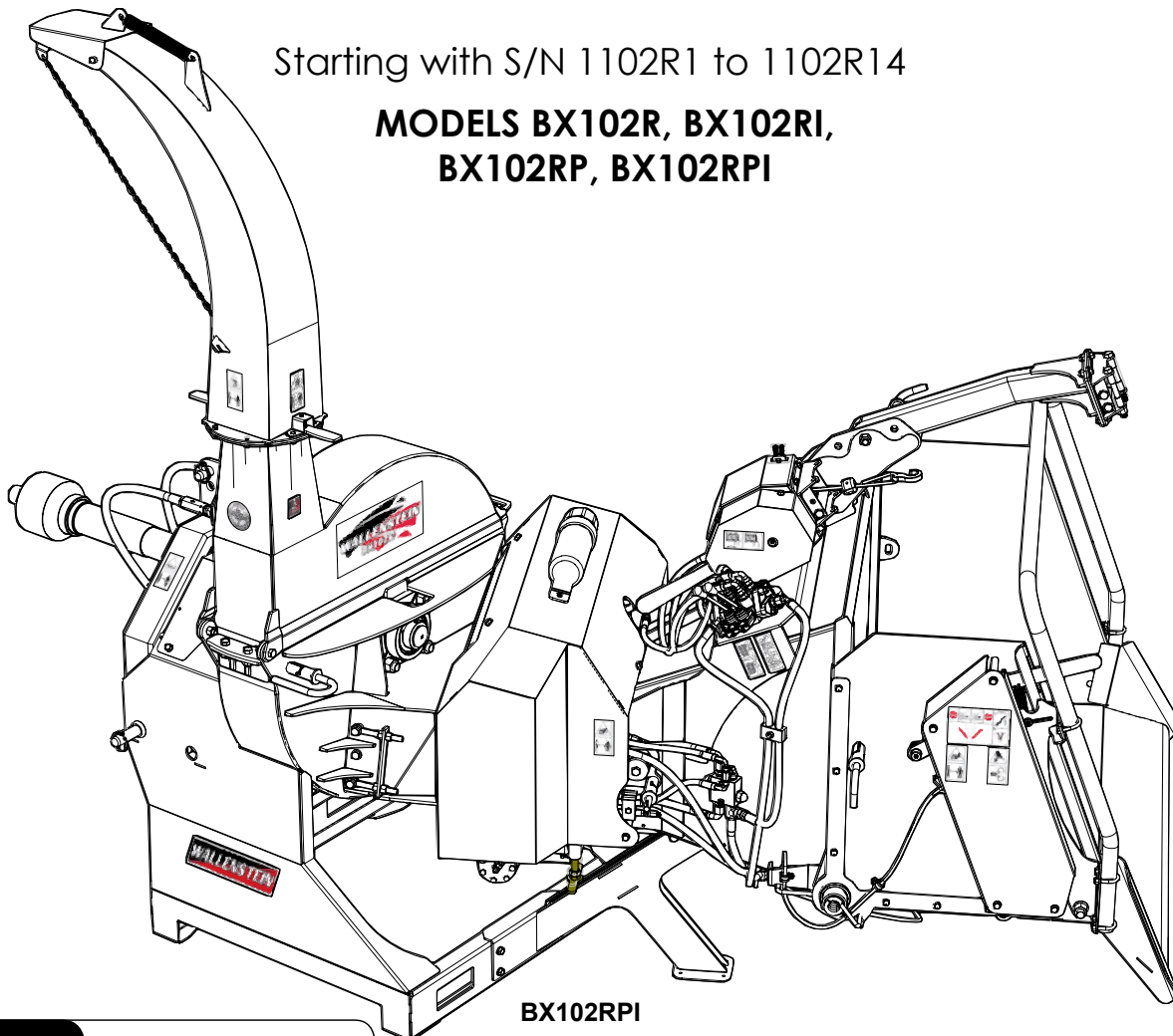


EMB Manufacturing Inc.
4144 Boomer Line · St. Clements, On · N0B 2M0 · Canada
Ph: (519) 699-9283 · Fax: (519) 699-4146
www.embmfg.com

BX102 Series 3 Point Hitch Chipper Parts Manual

Starting with S/N 1102R1 to 1102R14

**MODELS BX102R, BX102RI,
BX102RP, BX102RPI**



Refer to the operators
manual for safe opera-
tion and maintenance

Table of Contents

BX102 VARIATION CHART	3
BOLT TORQUE	4
HYDRAULIC FITTING TORQUE.....	5
ROTOR ASS'Y.....	6
BASE ASS'Y	7
CHUTE & GUARD ASS'Y	8
UPPER ROLLER ASS'Y	9
LOWER ROLLER ASS'Y	10
HOPPER ASS'Y (TOP VIEW)	11
BYPASS VALVE DETAIL	11
HOPPER ASS'Y (BOTTOM VIEW)	12
FEED TABLE ASS'Y	13
ROLLER VALVE DETAIL	14
FEED ROLLER CONTROL DETAIL	14
HYDRAULIC WINCH.....	15
WINCH DRUM DETAIL	16
WINCH ARM ASS'Y	16
FAIRLEAD ASS'Y DETAIL	17
ROLLER LIFT HYDRAULIC CYLINDER	17
CYLINDER SEAL INSTALLATION	18
ROLLER LIFT HYDRAULIC CYLINDER DETAIL	18
FLOW DIVIDER ASS'Y	19
WINCH AND ROLLER LIFT HYDRAULIC CONTROLS	19
#20DK SEAL KIT S20 SIDE PORT	20
#20BK SEAL KIT	20
(BETWEEN SECTIONS)	20
#20CK SEAL KIT FOR S20 INLET SECTIONS.....	20
#20AK SEAL KIT FOR S20 WORK SECTIONS.....	20
INTELLIFEED ROLLER CONTROL COMPONENTS.....	21
INTELLIFEED COMPONENTS	21
PTO SHAFT #Z44802	22
INTELLIFEED WIRING DIAGRAM #Z62109	23
HYDRAULIC HOSE PARTS LIST	24
HYDRAULIC SCHEMATIC BX102R	25
HYDRAULIC SCHEMATIC BX102RP.....	26
HYDRAULIC SCHEMATIC BX102RI	27
HYDRAULIC SCHEMATIC BX102RPI.....	28
LABELS - LEFT SIDE VIEW	29
LABELS - RIGHT SIDE VIEW	30

Foreword

EMB Mfg. has prepared this parts manual to assist customers in ordering quality OEM replacement parts.

Proper and regular service and replacing old, worn or broken parts with the correct Wallenstein parts are essential to prolonging the life of your Wallenstein product. Please refer to this manual before ordering any replacement parts.

All information contained in this parts manual is based on the latest product specification available at the time of printing this manual. If your product differs from the specifications contained within this manual contact EMB Mfg. for information.

EMB reserves the right to alter specifications on their products at any time.

Reproduction of this parts manual of any kind is prohibited without prior written permission from EMB Mfg.

For parts and information please contact your dealer. If your dealer is no longer available please go to our website: <http://www.embmfg.com> and click on "FIND A DEALER NEAR YOU" for information on a local dealer.

BX102 Variation Chart

BX Option Cross Reference			Option			
			Intellifeed	Hydraulic Winch	Hydraulic Roller Lift	Revision Level
M o d e l	BX102REU	BX102R				C
	BX102RIEU	BX102RI	X			D
	BX102RPEU	BX102RP		X	X	F
	BX102RPIEU	BX102RPI	X	X	X	G

Bolt Torque

CHECKING BOLT TORQUE

The tables shown below give correct torque values for various bolts and capscrews. Tighten all bolts to the torques specified in chart unless otherwise noted. Check tightness of bolts periodically, using bolt torque chart as a guide. Replace hardware with the same strength bolt.

Torque figures indicated above are valid for non-greased or non-oiled threads and heads unless otherwise specified. Therefore, do not grease or oil bolts or capscrews unless otherwise specified in this manual. When using locking elements, increase torque values by 5%.

* Torque value for bolts and capscrews are identified by their head markings.

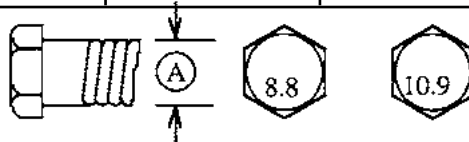
ENGLISH TORQUE SPECIFICATIONS

Bolt Diameter "A"	Bolt Torque*					
	SAE 2 (N.m) (lb-ft)		SAE 5 (N.m) (lb-ft)		SAE 8 (N.m) (lb-ft)	
1/4"	8	6	12	9	17	12
5/16"	13	10	25	19	36	27
3/8"	27	20	45	33	63	45
7/16"	41	30	72	53	100	75
1/2"	61	45	110	80	155	115
9/16"	95	60	155	115	220	165
5/8"	128	95	215	160	305	220
3/4"	225	165	390	290	540	400
7/8"	230	170	570	420	880	650
1"	345	225	850	630	1320	970



METRIC TORQUE SPECIFICATIONS

Bolt Diameter "A"	Bolt Torque*			
	8.8 (N.m) (lb-ft)		10.9 (N.m) (lb-ft)	
M3	.5	.4	1.8	1.3
M4	3	2.2	4.5	3.3
M5	6	4	9	7
M6	10	7	15	11
M8	25	18	35	26
M10	50	37	70	52
M12	90	66	125	92
M14	140	103	200	148
M16	225	166	310	229
M20	435	321	610	450
M24	750	553	1050	774
M30	1495	1103	2100	1550
M36	2600	1917	3675	2710



Hydraulic Fitting Torque

Tightening Flare Type Tube Fittings *

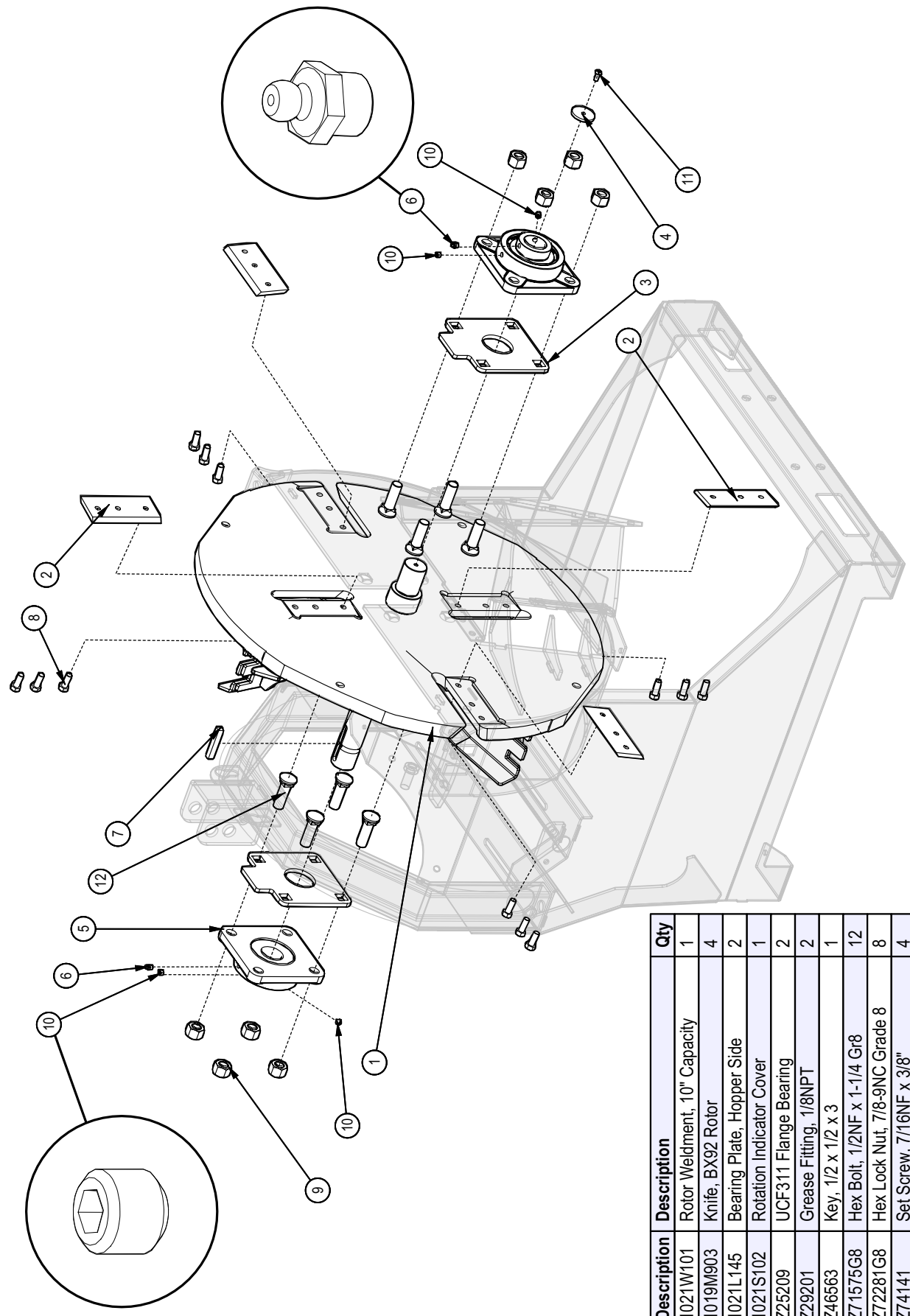
1. Check flare and flare seat for defects that might cause leakage.
2. Align tube with fitting before tightening.
3. Lubricate connection and hand tighten swivel nut until snug.
4. To prevent twisting the tube(s), use two wrenches. Place one wrench on the connector body and with the second tighten the swivel nut to the torque shown.

Tube Size OD	Nut Size Across Flats	Torque Value*		Recommended Turns To Tighten (After Finger Tightening)	
		(N.m)	(lb-ft)	(Flats)	(Turn)
3/16	7/16	8	6	1	1/6
1/4	9/16	12	9	1	1/6
5/16	5/8	16	12	1	1/6
3/8	11/16	24	18	1	1/6
1/2	7/8	46	34	1	1/6
5/8	1	62	46	1	1/6
3/4	1-1/4	102	75	3/4	1/8
7/8	1-3/8	122	90	3/4	1/8

The torque values shown are based on lubricated connections as in reassembly.

Rotor Assy

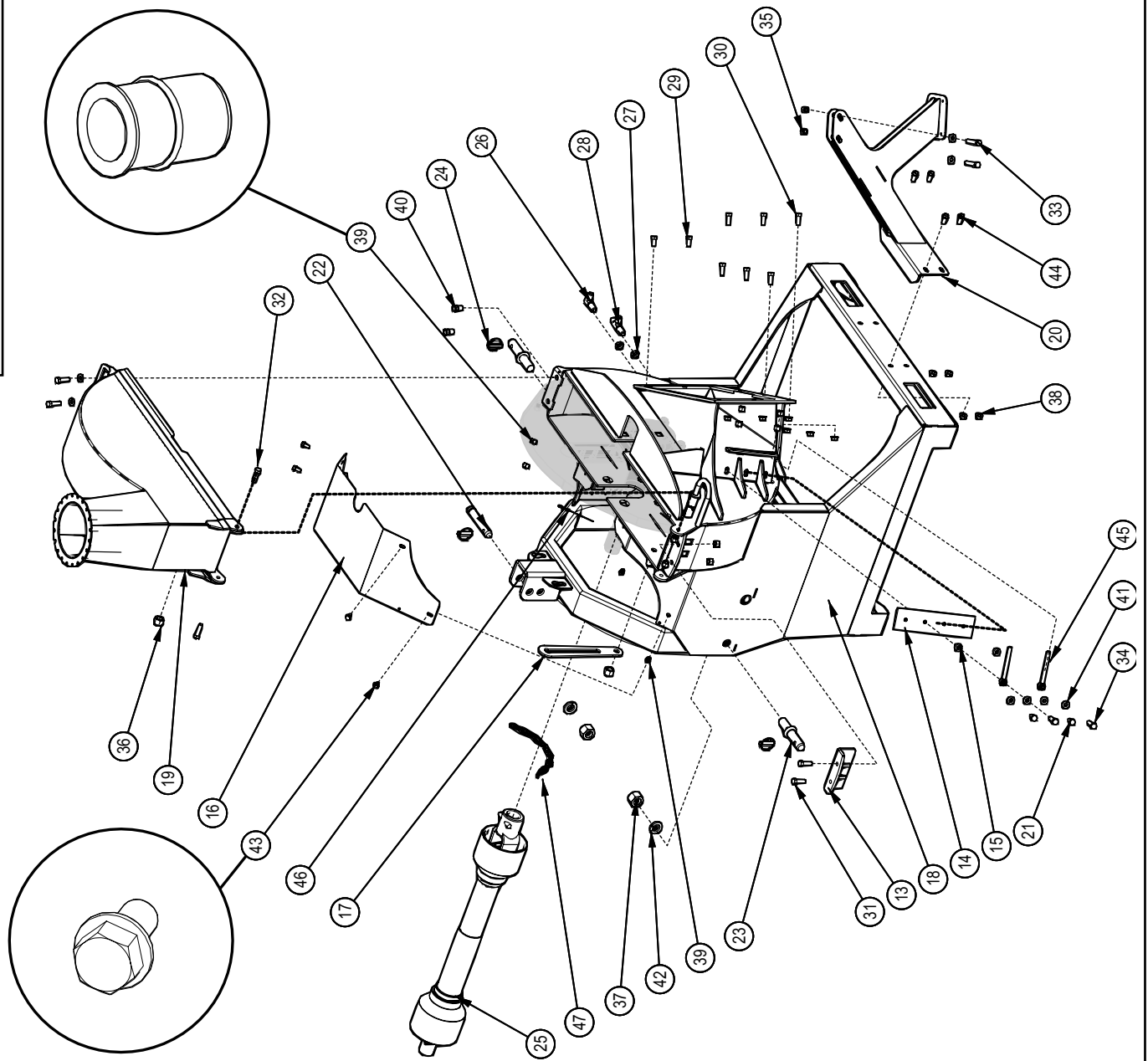
MODELS BX102R, BX102RI, BX102RP,
BX102RPI



BOM ID	Description	Description	Qty
1	1021W101	Rotor Weldment, 10" Capacity	1
2	1019M903	Knife, BX92 Rotor	4
3	1021L145	Bearing Plate, Hopper Side	2
4	1021S102	Rotation Indicator Cover	1
5	Z25209	UCF311 Flange Bearing	2
6	Z29201	Grease Fitting, 1/8NPT	2
7	Z46563	Key, 1/2 x 1/2 x 3	1
8	Z71575G8	Hex Bolt, 1/2NF x 1-1/4 Gr8	12
9	Z72281G8	Hex Lock Nut, 7/8-9NC Grade 8	8
10	Z74141	Set Screw, 7/16NF x 3/8"	4
11	Z75351	BHCS, 5/16NF x 3/4	1
12	Z76681G8	Dome Flaw Bolt, 7/8-9NC x 3" Grade 8	8

Base Ass'y

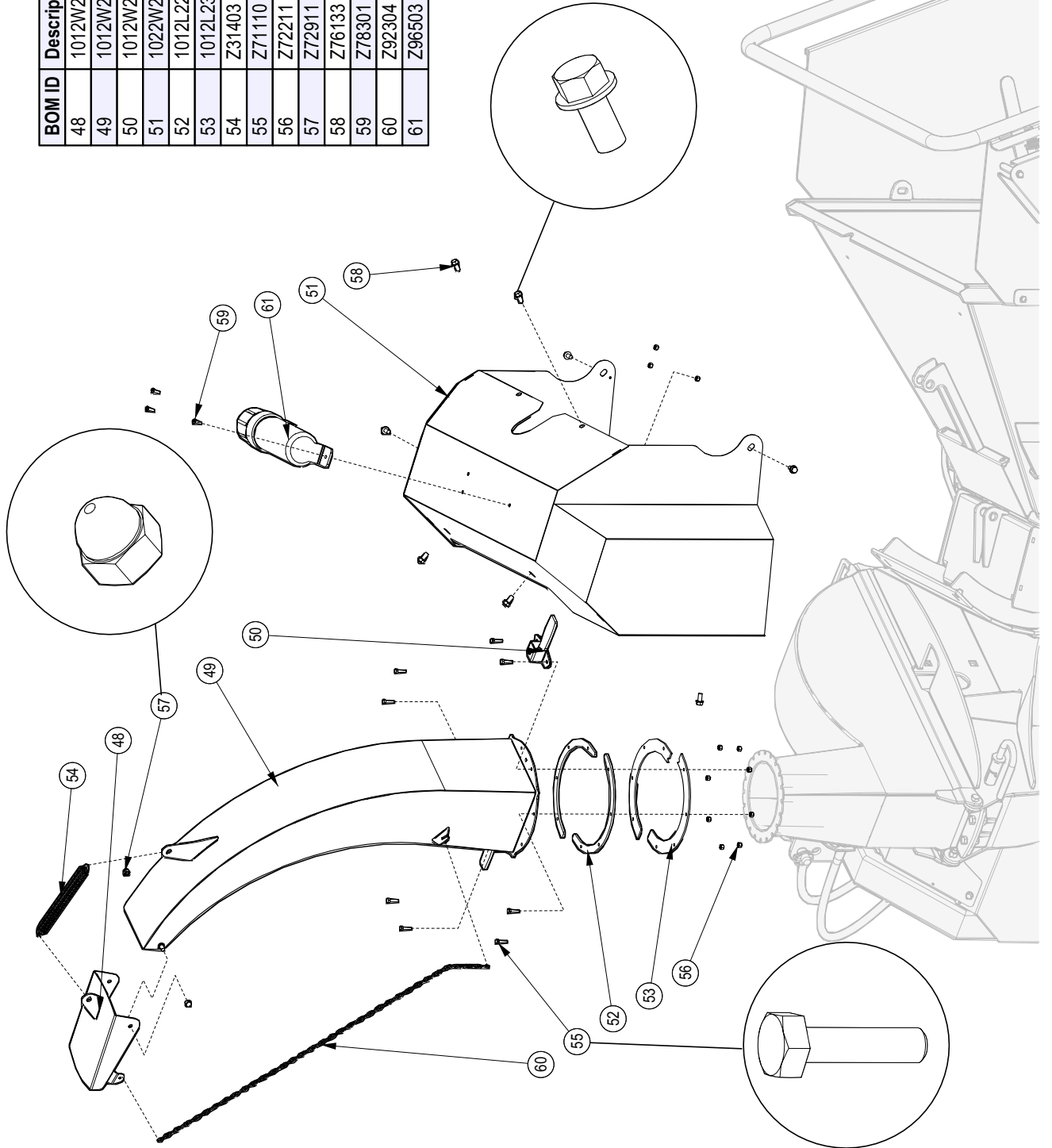
MODELS BX102R, BX102RI, BX102RP,
BX102RPI



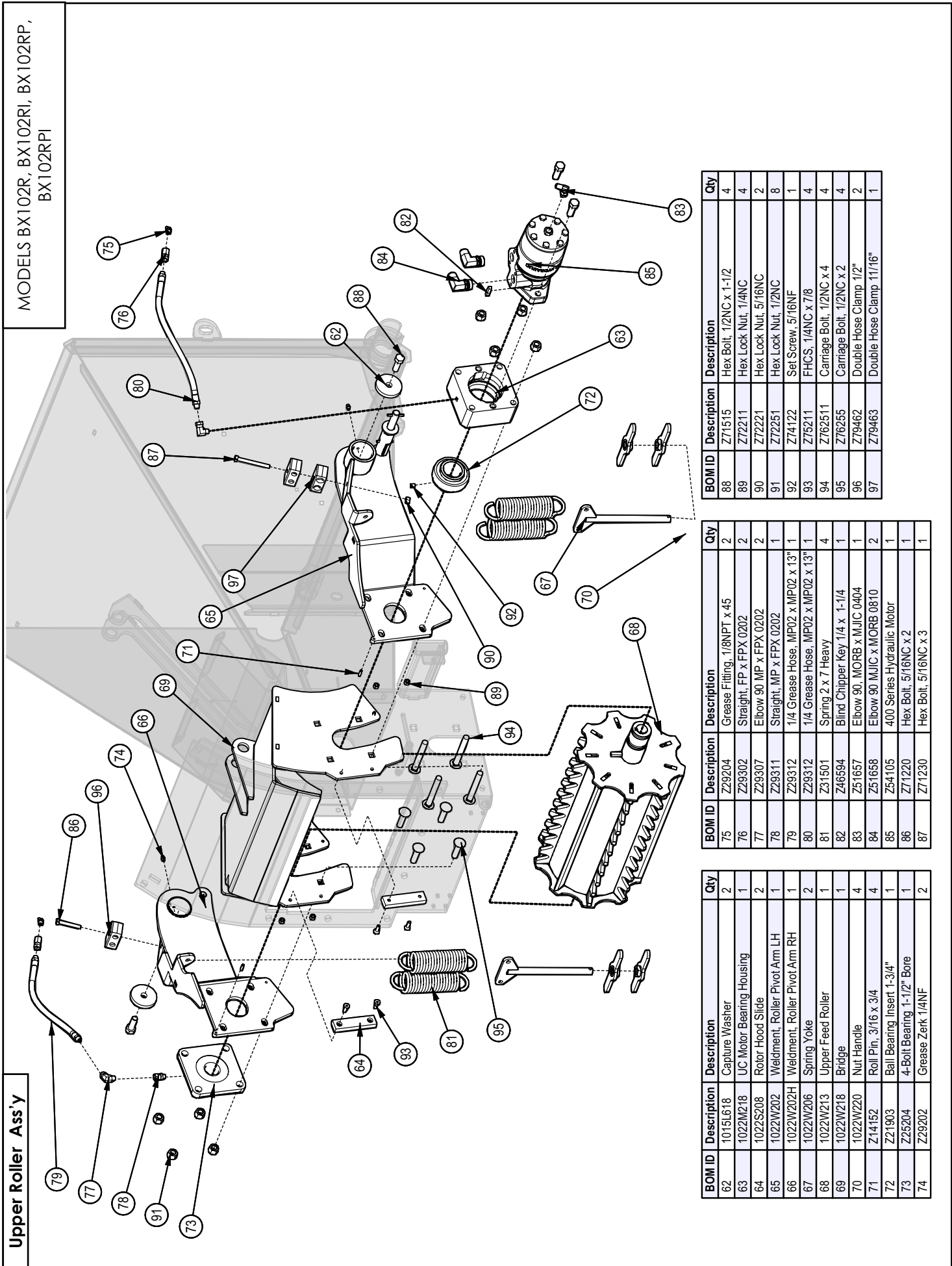
BOM ID	Description	Description	Qty
13	1012W204	Twig Breaker	1
14	1019M904	Knife, BX92 Ledger	1
15	1021L150	Ledger Washer	2
16	1021L153	PTO Shield	1
17	1021L155	Rotation Stop	1
18	1021W102	Lower Housing Weldment	1
19	1021W103	Weldment, Upper Housing	1
20	1021W104	Hopper Support Weldment	1
21	Z7157268	Hex Bolt, 1/2NF x 7/8 Gr8	2
22	Z11142	Toplink Pin, 1 x 4-5/16	1
23	Z11441	Implement Pin 1-1/8 x 6-5/16	2
24	Z12140	Latch Pin 7/16	3
25	Z44802	Global Series & PTO Shaft 2" Crossbolt	1
26	Z51492	Elbow 90 MJJC x BH 0808	1
27	Z51493	BH Locknut, 08	2
28	Z51494	Tee, MJJC x BH x MJJC 080808	1
29	Z71510	Hex Bolt, 1/2NC x 1	2
30	Z71512	Hex Bolt, 1/2NC x 1-1/4	6
31	Z71515	Hex Bolt, 1/2NC x 1-1/2	2
32	Z71517	Hex Bolt, 1/2NC x 1-3/4	4
33	Z71527	Hex Bolt, 1/2NC x 2-3/4	2
34	Z7157938	Hex Bolt, 1/2NF x 1-3/4 Gr8	2
35	Z72251	Hex Lock Nut, 1/2NC	10
36	Z72271	Hex Lock Nut, 3/4NC	2
37	Z72294	Hex Lock Nut, 1-1/8-12NF	2
38	Z72551	Flange Nut 1/2NC	10
39	Z72959	Riv-Nut 3/8NC x 312	4
40	Z72961	Riv-Nut 1/2NC x 350	2
41	Z73151	Flat Washer, 1/2	8
42	Z73391	Lock Washer, 1-1/8	2
43	Z76133	Flange Bolt, 3/8NC x 3/4	4
44	Z76153	Flange Bolt, 1/2NC x 1	4
45	Z76552	Rod End, 1/2NC x 5" Full Threads	2
46	Z92114	Safety Cable x 12"	1
47	Z92310	Chain 3/16" x 12" double hook ends	1

MODELS BX102R, BX102RI, BX102RP,
BX102RPI

BOM ID	Description	Description	Qty
48	1012W205	Discharge Deflector	1
49	1012W206	Discharge Chute	1
50	1012W208	Assembly, Hood Latch	1
51	1022W221	Bridge Guard	1
52	1012L229	Spacer Ring	2
53	1012L230	Hood Capture Ring	2
54	Z31403	Spring 27mm x 178mm x 0.105	1
55	Z71110	Hex Bolt, 1/4NC x 1	8
56	Z72211	Hex Lock Nut, 1/4NC	11
57	Z72911	Acorn Nut, 3/8NC	2
58	Z76133	Flange Bolt, 3/8NC x 3/4	8
59	Z78301	Machine Screw, 1/4-20NC x 3/4	3
60	Z92304	Single-Jack Chain #10 [35 links]	1
61	Z96503	Manual Tube 3-1/2 Short	1



Chute & Guard Ass'y



MODELS BX102R, BX102RI, BX102RP,
BX102RPI

Upper Roller Ass'y

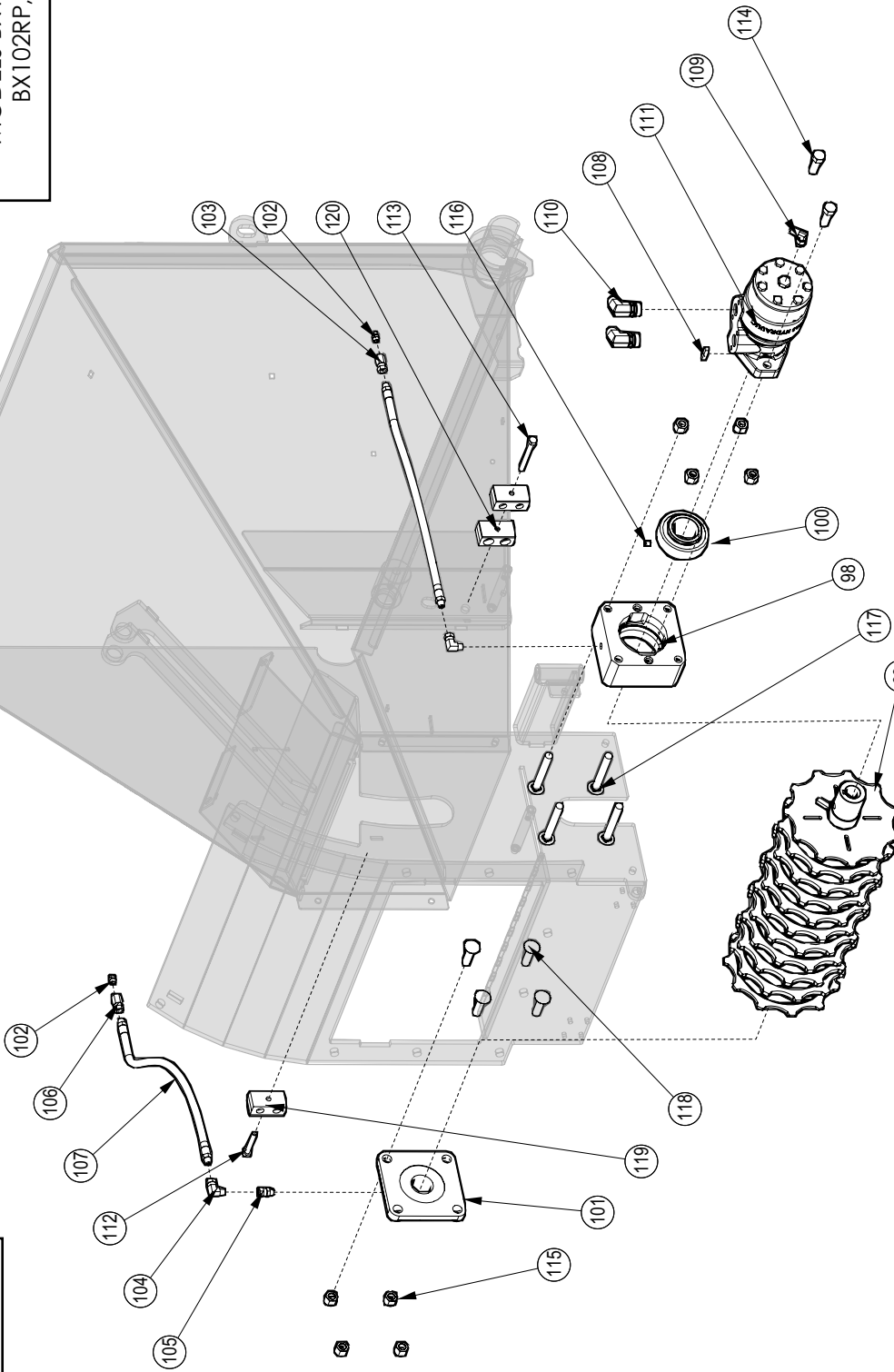
BOM ID	Description	Description	Qty
88	Z71515	Hex Bolt, 1/2NC x 1-1/2	4
89	Z72211	Hex Lock Nut, 1/4NC	4
90	Z72221	Hex Lock Nut, 5/16NC	2
91	Z72251	Hex Lock Nut, 1/2NC	8
92	Z74122	Set Screw, 5/16NF	1
93	Z75211	FHCS, 1/4NC x 7/8	4
94	Z762511	Carriage Bolt, 1/2NC x 4	4
95	Z76255	Carriage Bolt, 1/2NC x 2	4
96	Z79462	Double Hose Clamp 1/2"	2
97	Z79463	Double Hose Clamp 11/16"	1

BOM ID	Description	Description	Qty
75	Z29204	Grease Fitting, 1/8NPT x 45	2
76	Z29302	Straight, FP x FPX 0202	2
77	Z29307	Elbow 90 MP x FPX 0202	2
78	Z29311	Straight, MP x FPX 0202	1
79	Z29312	1/4 Grease Hose, MP02 x MP02 x 13"	1
80	Z29312	1/4 Grease Hose, MP02 x MP02 x 13"	1
81	Z31501	Spring 2 x 7 Heavy	4
82	Z46594	Blind Chipper Key 1/4 x 1-1/4	1
83	Z51657	Elbow 90, MORB x MJIC 0404	1
84	Z51658	Elbow 90 MJIC x MORB 0810	2
85	Z54105	400 Series Hydraulic Motor	1
86	Z71220	Hex Bolt, 5/16NC x 2	1
87	Z71230	Hex Bolt, 5/16NC x 3	1

BOM ID	Description	Description	Qty
62	1015L618	Capture Washer	2
63	1022W218	UC Motor Bearing Housing	1
64	1022S208	Rotor Hood Slide	2
65	1022W202	Weldment, Roller Pivot Arm LH	1
66	1022W202H	Weldment, Roller Pivot Arm RH	1
67	1022W206	Spring Yoke	2
68	1022W213	Upper Feed Roller	1
69	1022W218	Bridge	1
70	1022W220	Nut Handle	4
71	Z14152	Roll Pin, 3/16 x 3/4	4
72	Z21903	Ball Bearing Insert 1-3/4"	1
73	Z25204	4-Bolt Bearing 1-1/2" Bore	1
74	Z29202	Grease Zerk 1/4NF	2

MODELS BX102R, BX102RI,
BX102RP, BX102RPI

Lower Roller Ass'y



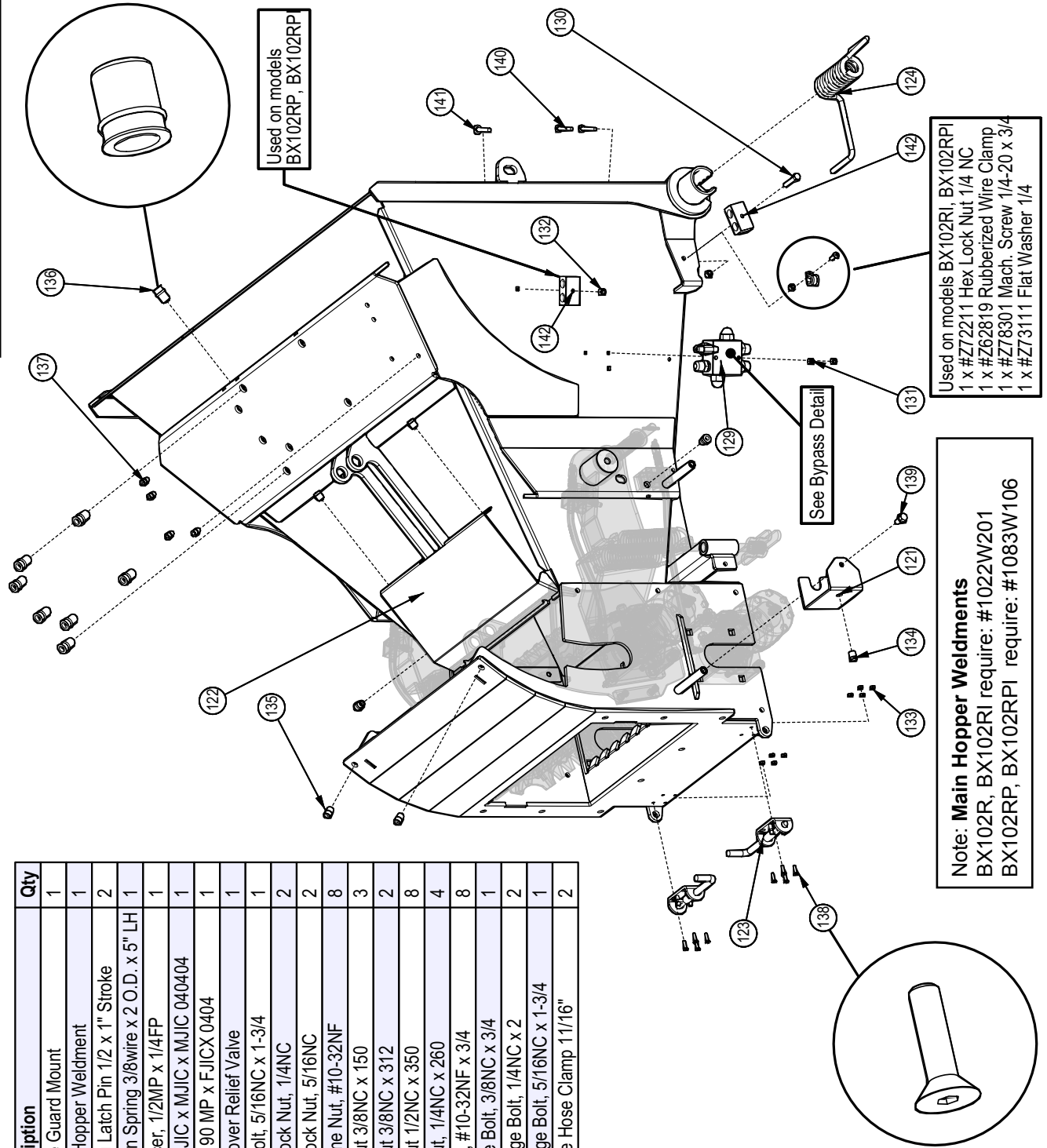
BOM ID	Description	Qty
110	Z51658 Elbow 90 MJIC x MORB 0810	2
111	Z94104 315 Series Hydraulic Motor	1
112	Z71220 Hex Bolt, 5/16NC x 2	1
113	Z71230 Hex Bolt, 5/16NC x 3	1
114	Z71515 Hex Bolt, 1/2NC x 1-1/2	2
115	Z72251 Hex Lock Nut, 1/2NC	8
116	Z74122 Set Screw, 5/16NF	1
117	Z762510 Carriage Bolt, 1/2NC x 3-1/2	4
118	Z76258 Carriage Bolt, 1/2NC x 1-3/4	4
119	Z79462 Double Hose Clamp 1/2"	2
120	Z79463 Double Hose Clamp 1 1/16"	1

BOM ID	Description	Qty
98	1022M218 UC Motor Bearing Housing	1
99	1022W205 Lower Feed Roll	1
100	Z21903 Ball Bearing Insert 1-3/4"	1
101	Z25204 4-Bolt Bearing 1-1/2" Bore	1
102	Z29204 Grease Fitting, 1/8NPT x 45	2
103	Z29302 Straight, FP x FPX 0202	1
104	Z29307 Elbow 90 MP x FPX 0202	2
105	Z29311 Straight, MP x FPX 0202	1
106	Z29312 Straight, FP x FPX 0202	1
107	Z29313 1/4 Grease Hose, MP02 x MP02 x 16"	2
108	Z46594 Blind Chipper Key 1/4 x 1-1/4	1
109	Z51657 Elbow 90, MORB x MJIC 0404	1

Hopper Assy'y (top view)

MODELS BX102R, BX102RI, BX102RP,
BX102RPI

BOM ID	Description	Description	Qty
121	1022L300	Bridge Guard Mount	1
122	See Note	Main Hopper Weldment	1
123	Z18207	Spring Latch Pin 1/2 x 1" Stroke	2
124	Z33302	Torsion Spring 3/8wire x 2 O.D. x 5" LH	1
125	Z51222	Reducer, 1/2MP x 1/4FP	1
127	Z51488	Tee MJIC x MJIC x MJIC 040404	1
128	Z51522	Elbow 90 MP x FJICX 0404	1
129	Z56401	Crossover Relief Valve	1
130	Z71217	Hex Bolt, 5/16NC x 1-3/4	1
131	Z72211	Hex Lock Nut, 1/4NC	2
132	Z72221	Hex Lock Nut, 5/16NC	2
133	Z72752	Machine Nut, #10-32NF	8
134	Z72958	Riv-Nut 3/8NC x 150	3
135	Z72959	Riv-Nut 3/8NC x 312	2
136	Z72961	Riv-Nut 1/2NC x 350	8
137	Z72962	Riv-Nut, 1/4NC x 260	4
138	Z75203	FHCS, #10-32NF x 3/4	8
139	Z76133	Flange Bolt, 3/8NC x 3/4	1
140	Z76213	Carriage Bolt, 1/4NC x 2	2
141	Z76227	Carriage Bolt, 5/16NC x 1-3/4	1
142	Z79463	Double Hose Clamp 1 1/16"	2

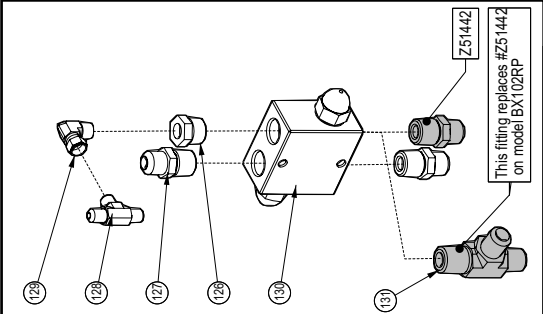


Used on models
BX102RP, BX102RPI

Used on models BX102RI, BX102RPI
1 x #Z72211 Hex Lock Nut 1/4 NC
1 x #Z62819 Rubberized Wire Clamp
1 x #Z78301 Mach. Screw 1/4-20 x 3/4
1 x #Z73111 Flat Washer 1/4

See Bypass Detail

Note: Main Hopper Weldments
BX102R, BX102RI require: #1022W201
BX102RP, BX102RPI require: #1083W106

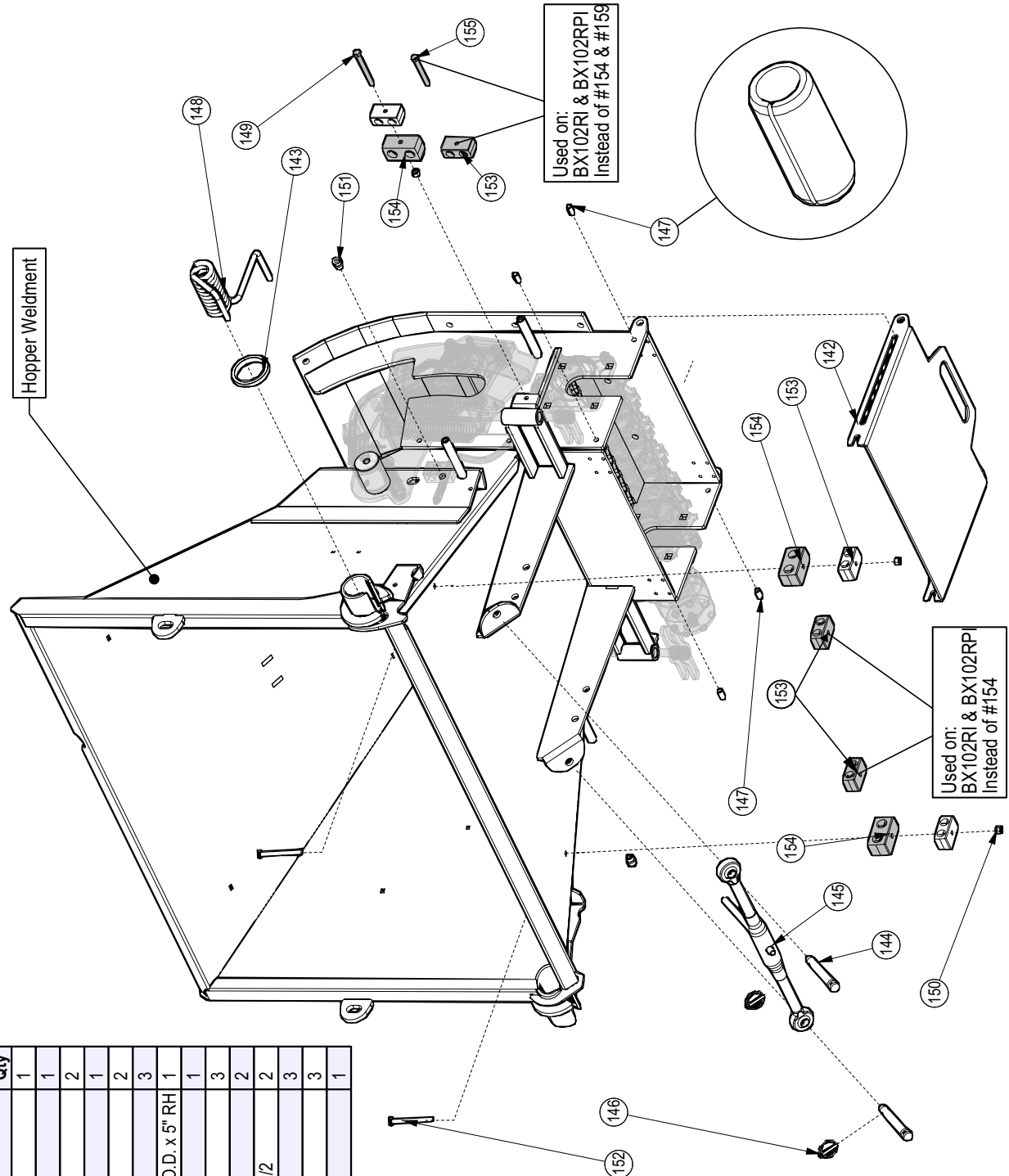


Bypass Valve Detail

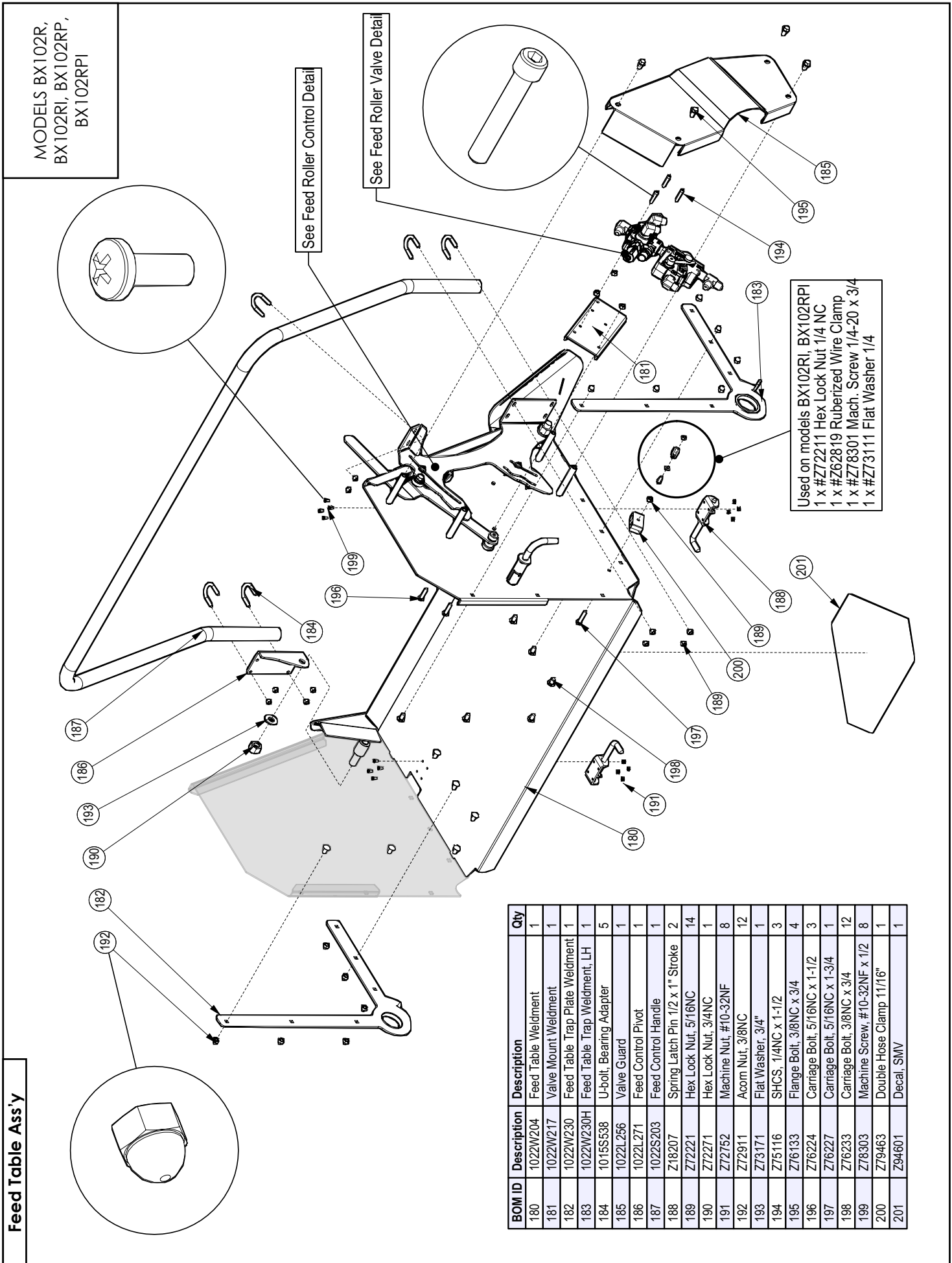
MODELS BX102R, BX102RI, BX102RP,
BX102RPI

Hopper Weldment

BOM ID	Description	Qty
142	1022L280 Lower Roller Guard	1
143	1022M230 Feed Table Wear Bushing	1
144	Z11111 Toplink Pin 5/8 x 2-3/4	2
145	Z11501 Toplink, Cat 0	1
146	Z12110 Latch Pin 3/16	2
147	Z14301 Roll Pin, 10mm x 22mm	3
148	Z33301 Torsion Spring 3/8wire x 2 O.D. x 5" RH	1
149	Z71235 Hex Bolt, 5/16NC x 3-1/2	1
150	Z72221 Hex Lock Nut, 5/16NC	3
151	Z72957 Riv-Nut 5/16NC x 3/2	2
152	Z76229 Carriage Bolt, 5/16NC x 3-1/2	2
153	Z79463 Double Hose Clamp 11/16"	3
154	Z79464 Double Hose Clamp 13/16"	3
155	Z71230 Hex Bolt, 5/16NC x 3	1



Hopper Ass'y (bottom view)



Feed Table Ass'y

MODELS BX102R,
BX102RI, BX102RP,
BX102RPI

See Feed Roller Control Detail

See Feed Roller Valve Detail

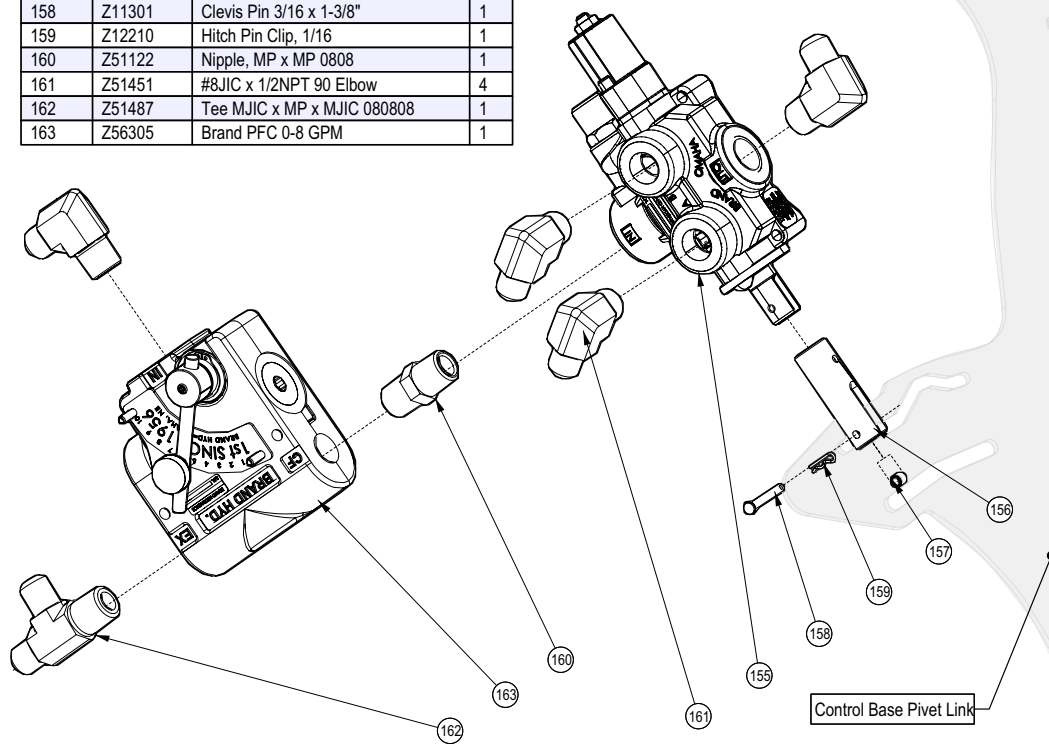
Used on models BX102RI, BX102RPI
 1 x #Z72211 Hex Lock Nut 1/4 NC
 1 x #Z62819 Ruberized Wire Clamp
 1 x #Z78301 Mach. Screw 1/4-20 x 3/4
 1 x #Z73111 Flat Washer 1/4

BOM ID	Description	Description	Qty
180	1022W204	Feed Table Weldment	1
181	1022W217	Valve Mount Weldment	1
182	1022W230	Feed Table Trap Plate Weldment	1
183	1022W230H	Feed Table Trap Weldment, LH	1
184	1015S538	U-bolt, Bearing Adapter	5
185	1022L256	Valve Guard	1
186	1022L271	Feed Control Pivot	1
187	1022S203	Feed Control Handle	1
188	Z18207	Spring Latch Pin 1/2 x 1" Stroke	2
189	Z72221	Hex Lock Nut, 5/16NC	14
190	Z72271	Hex Lock Nut, 3/4NC	1
191	Z72752	Machine Nut, #10-32NF	8
192	Z72911	Acorn Nut, 3/8NC	12
193	Z73171	Flat Washer, 3/4"	1
194	Z75116	SHCS, 1/4NC x 1-1/2	3
195	Z76133	Flange Bolt, 3/8NC x 3/4	4
196	Z76224	Carriage Bolt, 5/16NC x 1-1/2	3
197	Z76227	Carriage Bolt, 5/16NC x 1-3/4	1
198	Z76233	Carriage Bolt, 3/8NC x 3/4	12
199	Z78303	Machine Screw, #10-32NF x 1/2	8
200	Z79463	Double Hose Clamp 11/16"	1
201	Z94601	Decal, SMV	1

Roller Valve Detail

MODELS BX102R, BX102RP

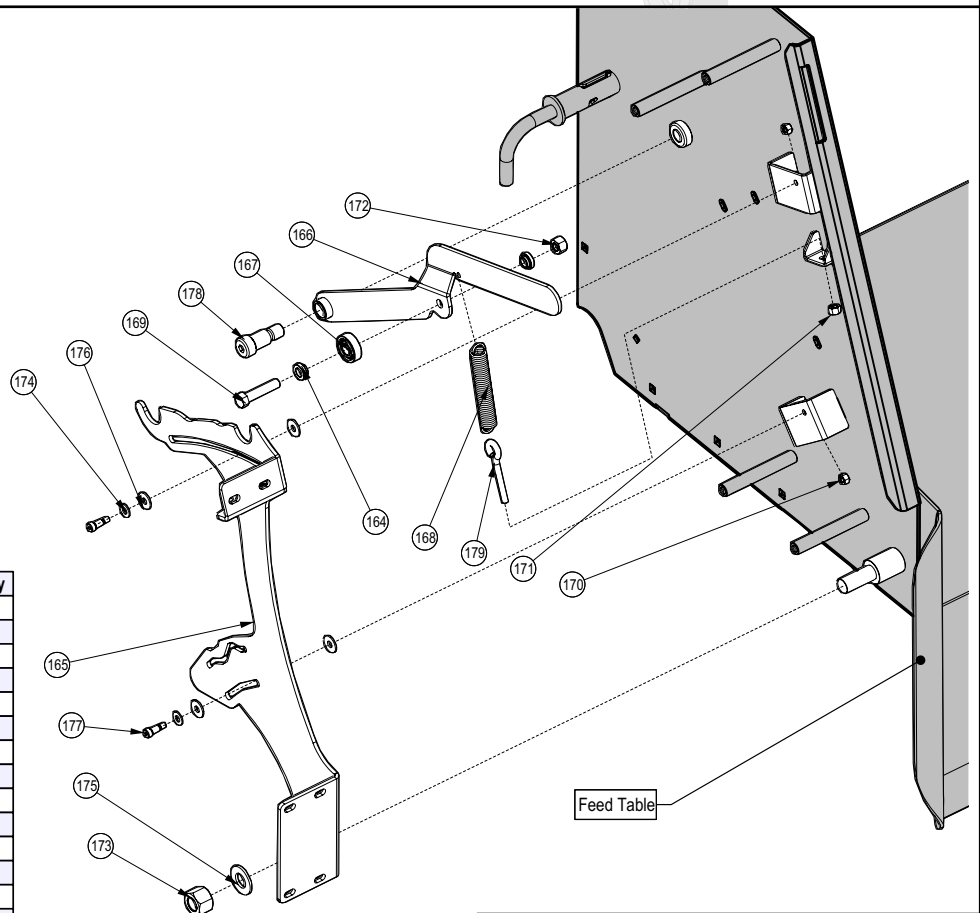
BOM ID	Description	Description	Qty
155	Z56215	Spring Ctr Low Force Directional Valve	1
156	1022M213	Bearing Yoke	1
157	1022M217	Solid Bearing	1
158	Z11301	Clevis Pin 3/16 x 1-3/8"	1
159	Z12210	Hitch Pin Clip, 1/16	1
160	Z51122	Nipple, MP x MP 0808	1
161	Z51451	#8JIC x 1/2NPT 90 Elbow	4
162	Z51487	Tee MJIC x MP x MJIC 080808	1
163	Z56305	Brand PFC 0-8 GPM	1



Feed Roller Control Detail

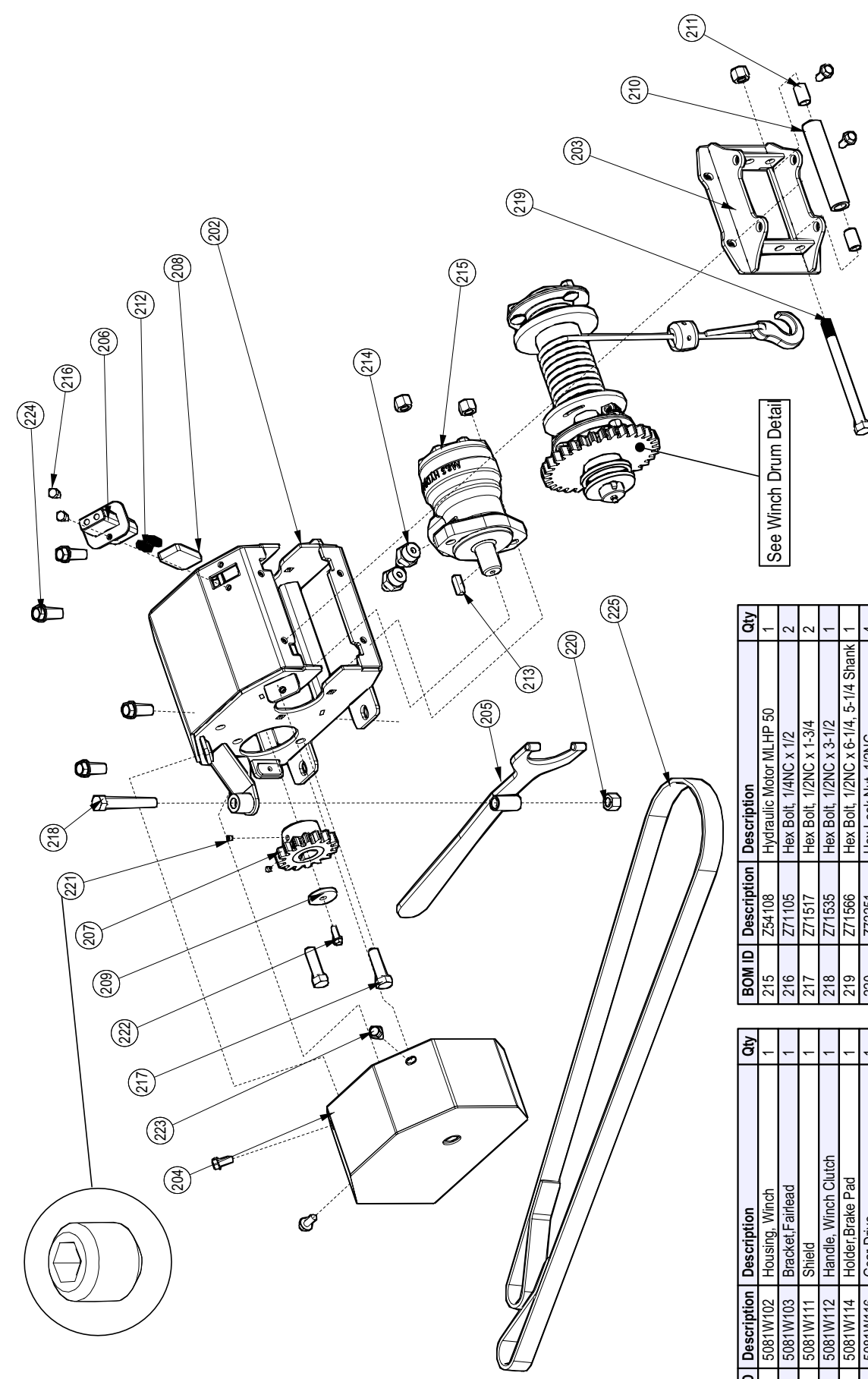
MODELS BX102R, BX102RI, BX102RP, BX102RPI

BOM ID	Description	Description	Qty
164	1015M537	Bushing, Bearing	2
165	1022L239	Control Base Pivot Link	1
166	1022W224	Detent Reset Weldment	1
167	Z21203	Ball Bearing 6202 RS	1
168	Z31401	Spring 3/4 x 4" Heavy	1
169	Z71420	Hex Bolt, 7/16NC x 2	1
170	Z72211	Hex Lock Nut, 1/4NC	2
171	Z72221	Hex Lock Nut, 5/16NC	1
172	Z72241	Hex Lock Nut, 7/16NC	1
173	Z72271	Hex Lock Nut, 3/4NC	1
174	Z73122	Flat Washer, 5/16	2
175	Z73171	Flat Washer, 3/4"	1
176	Z73222	PTFE Flat Washer, 5/16 x 0.080"	4
177	Z75522	Shoulder Bolt, 5/16 x 1/2"	2
178	Z75574	Shoulder Bolt, 3/4 x 1	1
179	Z76522	Eye Bolt 5/16NC x 2	1



Hydraulic Winch

MODELS BX102RP, BX102RPI

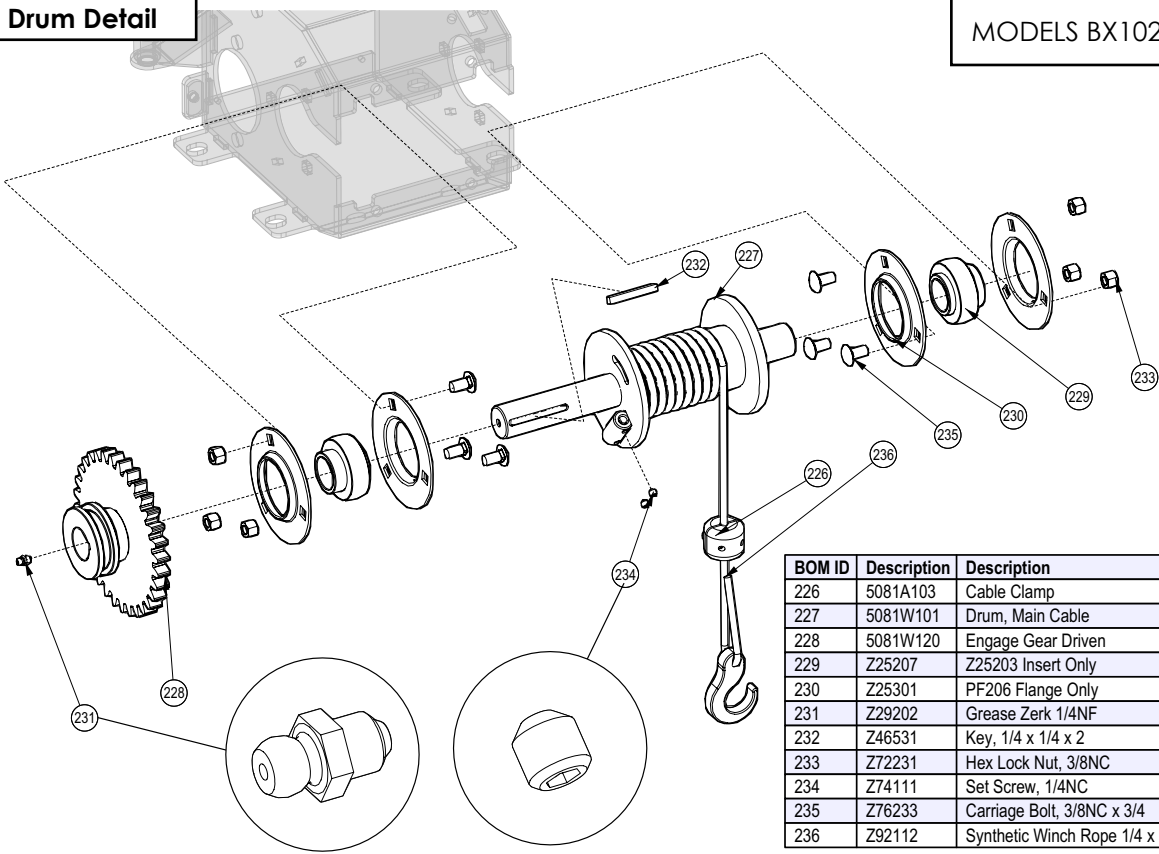


BOM ID	Description	Description	Qty
215	Z64108	Hydraulic Motor ML-HP 50	1
216	Z71105	Hex Bolt, 1/4NC x 1/2	2
217	Z71517	Hex Bolt, 1/2NC x 1-3/4	2
218	Z71535	Hex Bolt, 1/2NC x 3-1/2	1
219	Z71566	Hex Bolt, 1/2NC x 6-1/4, 5-1/4 Shank	1
220	Z72251	Hex Lock Nut, 1/2NC	4
221	Z74111	Set Screw, 1/4NC	2
222	Z76111	Flange Bolt, 1/4NC x 3/4	1
223	Z76121	Flange Bolt, 5/16NC x 3/4	7
224	Z76152	Flange Bolt, 1/2NC x 1-1/4	4
225	Z92405	60" Winching Strap	1

BOM ID	Description	Description	Qty
202	5081W102	Housing, Winch	1
203	5081W103	Bracket, Fairlead	1
204	5081W111	Shield	1
205	5081W112	Handle, Winch Clutch	1
206	5081W114	Holder, Brake Pad	1
207	5081W116	Block, Drum Brake	1
208	5012M204	Block, Drum Brake	1
209	5081L114	Washer, Motor Shaft	1
210	5081M111	Bushing, Fairlead Top	1
211	Z27103	Fiberglass Bearing 1/2" x 1"	2
212	Z32201	Spring 10mm x 64mm Light	2
213	Z46542	Key, 5/16 x 5/16 x 1	1
214	Z51645	MJIC x MORB 0610	2

Winch Drum Detail

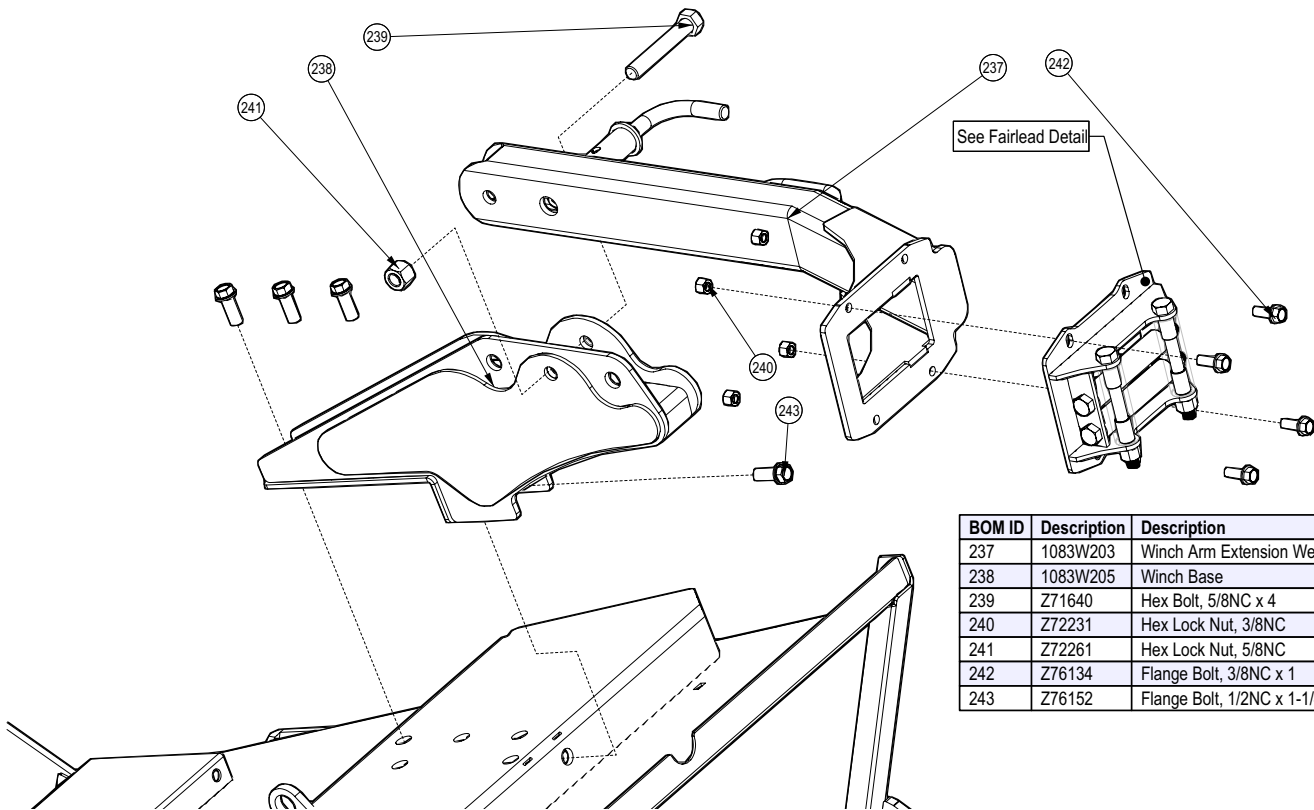
MODELS BX102RP, BX102RPI



BOM ID	Description	Description	Qty
226	5081A103	Cable Clamp	1
227	5081W101	Drum, Main Cable	1
228	5081W120	Engage Gear Driven	1
229	Z25207	Z25203 Insert Only	2
230	Z25301	PF206 Flange Only	4
231	Z29202	Grease Zerk 1/4NF	1
232	Z46531	Key, 1/4 x 1/4 x 2	1
233	Z72231	Hex Lock Nut, 3/8NC	6
234	Z74111	Set Screw, 1/4NC	2
235	Z76233	Carriage Bolt, 3/8NC x 3/4	6
236	Z92112	Synthetic Winch Rope 1/4 x 50' with Hook	1

Winch Arm Ass'y

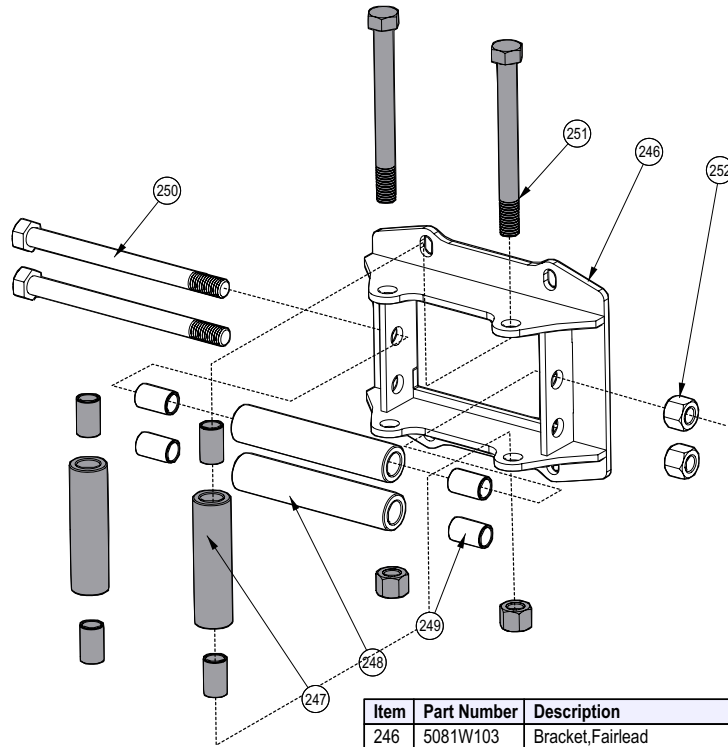
MODELS BX102RP, BX102RPI



BOM ID	Description	Description	Qty
237	1083W203	Winch Arm Extension Weldment	1
238	1083W205	Winch Base	1
239	Z71640	Hex Bolt, 5/8NC x 4	1
240	Z72231	Hex Lock Nut, 3/8NC	4
241	Z72261	Hex Lock Nut, 5/8NC	1
242	Z76134	Flange Bolt, 3/8NC x 1	3
243	Z76152	Flange Bolt, 1/2NC x 1-1/4	4

Fairlead Ass'y Detail

MODELS BX102RP, BX102RPI

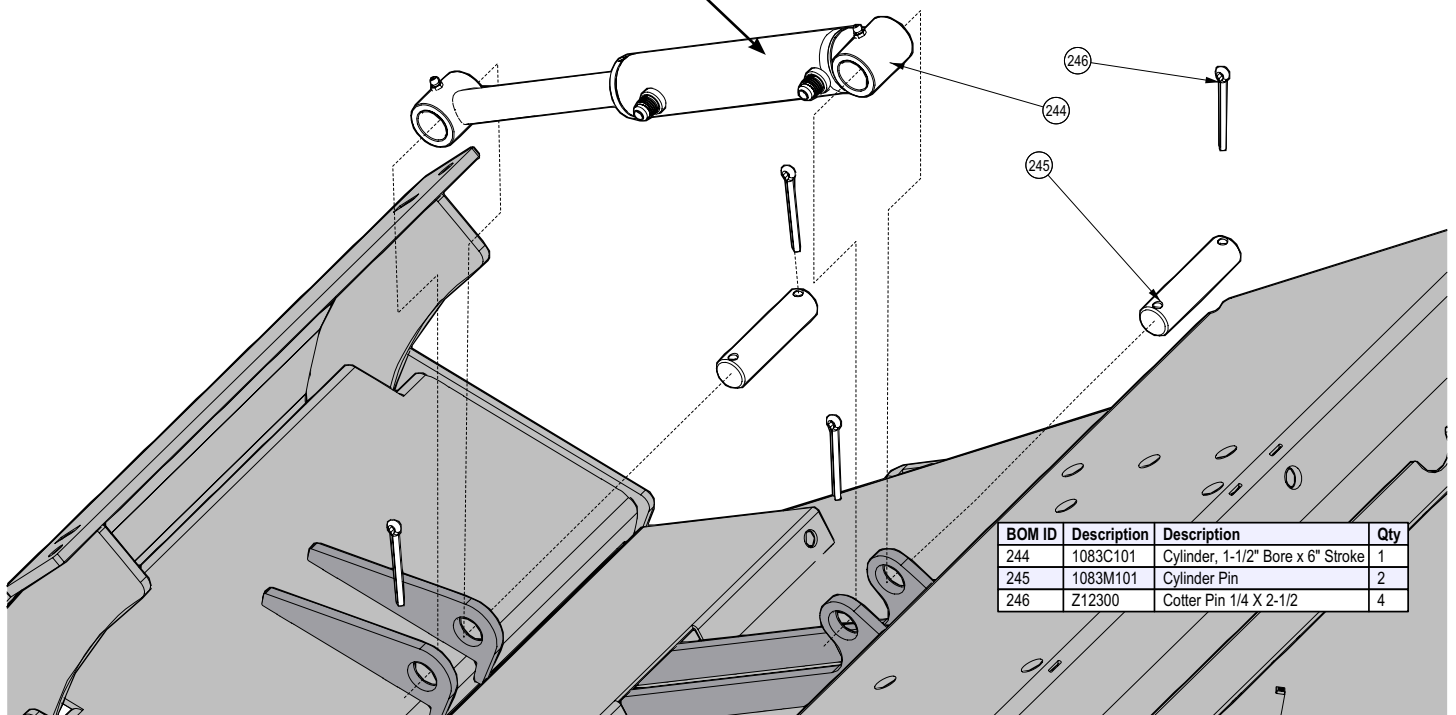


Item	Part Number	Description	Qty
246	5081W103	Bracket, Fairlead	1
247	5081M109	Bushing, Fairlead Side	2
248	5081M111	Bushing, Fairlead Top	2
249	Z27103	Fiberglide Bearing 1/2" x 1"	8
250	Z71566	Hex Bolt, 1/2NC x 6-1/4, 5-1/4 Shank	2
251	Z71567	Hex Bolt, 1/2NC x 5, 4" Shank	2
252	Z72251	Hex Lock Nut, 1/2NC	4

Roller Lift Hydraulic Cylinder

MODELS BX102RP, BX102RPI

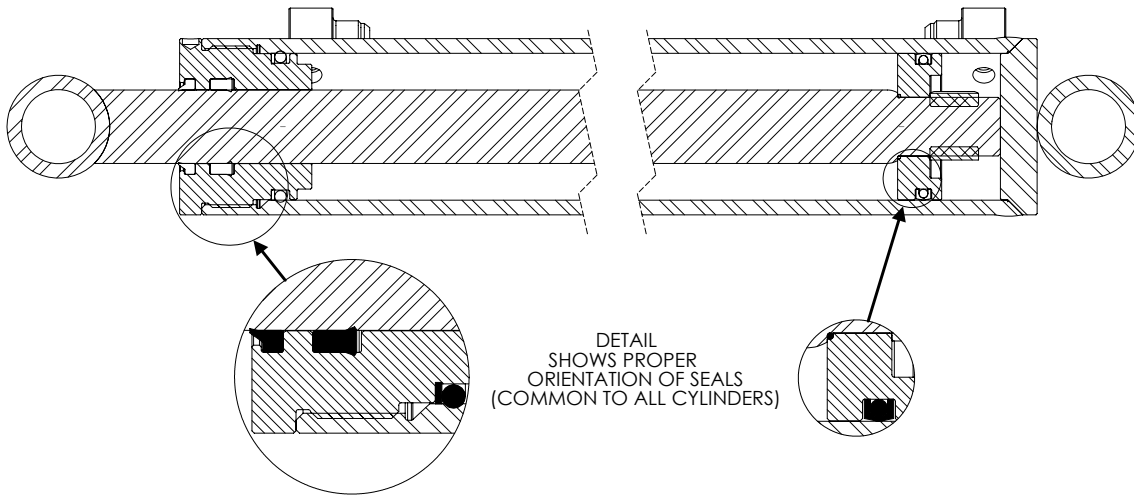
See Cylinder Detail



BOM ID	Description	Description	Qty
244	1083C101	Cylinder, 1-1/2" Bore x 6" Stroke	1
245	1083M101	Cylinder Pin	2
246	Z12300	Cotter Pin 1/4 X 2-1/2	4

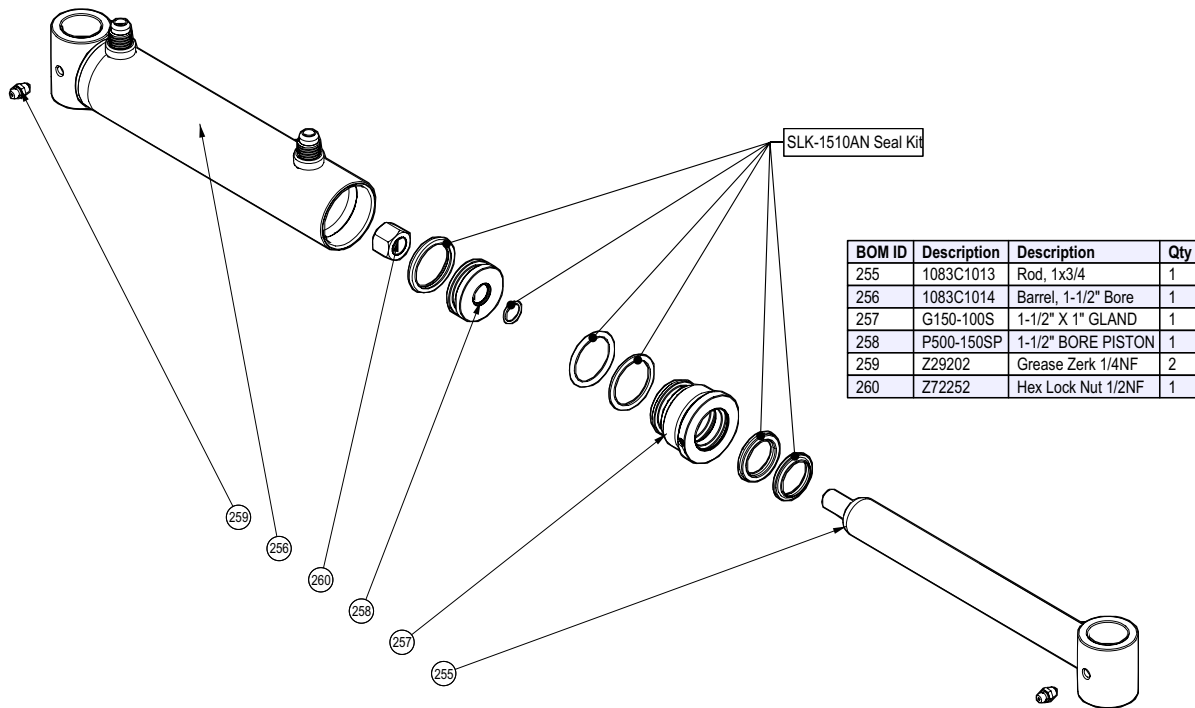
Cylinder Seal Installation

MODELS BX102RP, BX102RPI



Roller Lift Hydraulic Cylinder Detail

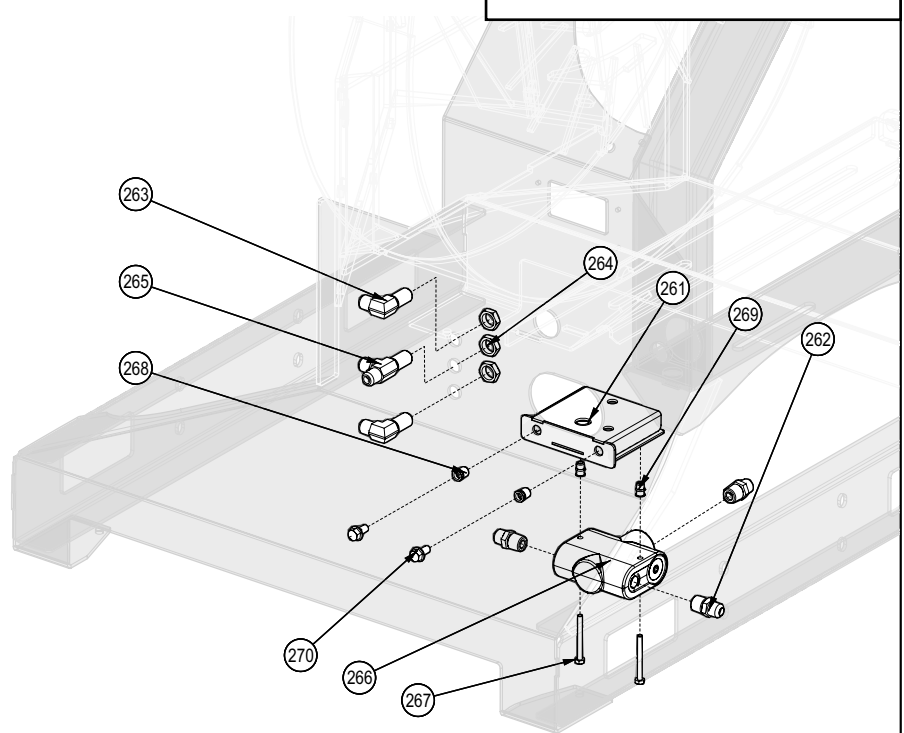
MODELS BX102RP, BX102RPI



Flow Divider Ass'y

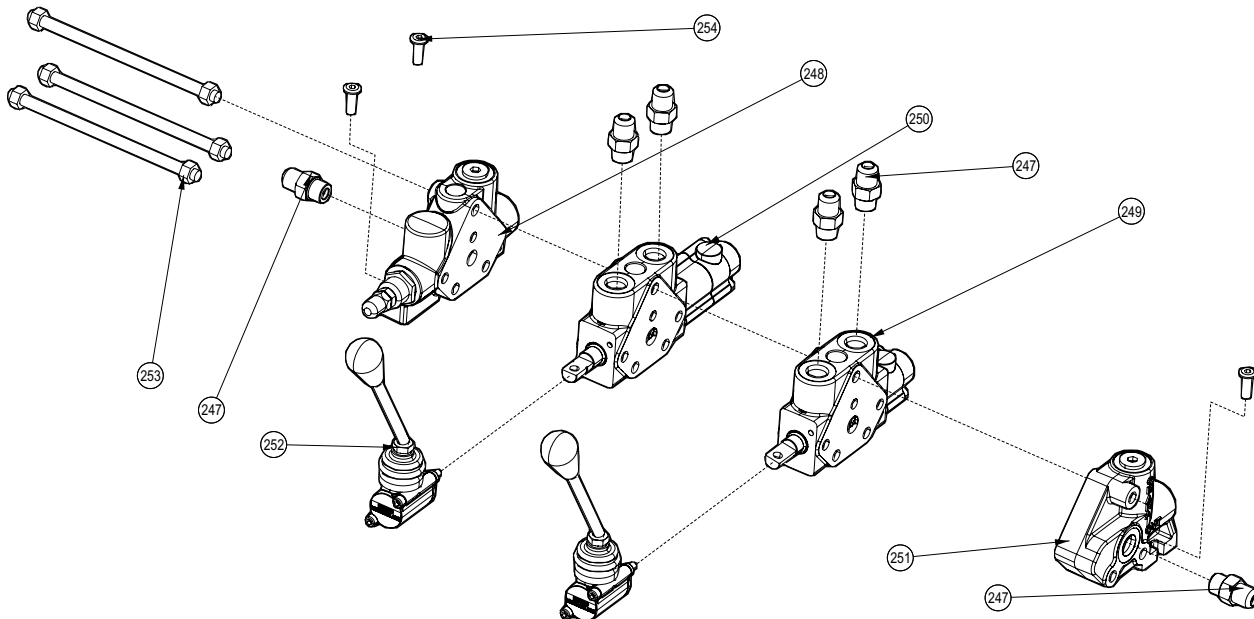
MODELS BX102RP, BX102RPI

BOM ID	Description	Description	Qty
261	1083W151	BX102R IntelliFEED Weldment	1
262	Z51442	#8 JIC x 1/2NPT	3
263	Z51492	Elbow 90 MJIC x BH 0808	2
264	Z51493	BH Locknut, 08	3
265	Z51494	Tee, MJIC x BH x MJIC 080808	1
266	Z56306	Brand Flow Divider 70:30	1
267	Z71125	Hex Bolt, 1/4NC x 2-1/2	2
268	Z72958	Riv-Nut 3/8NC x 150	2
269	Z72962	Riv-Nut, 1/4NC x 260	2
270	Z76133	Flange Bolt, 3/8NC x 3/4	2



Winch and Roller Lift Hydraulic Controls

MODELS BX102RP, BX102RPI

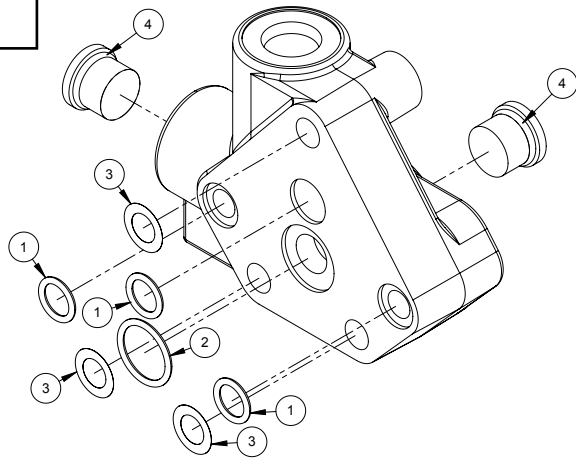


Note: These parts may be ordered as a complete assembly:
#1083A130 Complete BX102RP Stack
 (less #Z79111 & Z51641)

BOM ID	Description	Description	Qty
247	Z51641	#6ORB x #6JIC	6
248	Z56601	Brand S20 Inlet Side Port 2500 PSI	1
249	Z56602	Brand S20 Tandem Spool Work Port	1
250	Z56603	Brand S20 Motor Spool Work Section Detent	1
251	Z56604	Brand S20 Outlet Side Port	1
252	Z56605	Brand S20 Horizontal Handle	2
253	Z56608	Brand 20TR2 Two Spool Tie Rod Kit	1
254	Z79111	Joint Connector Bolt 1/4NC x 3/4	3

#20DK Seal Kit S20 Side Port

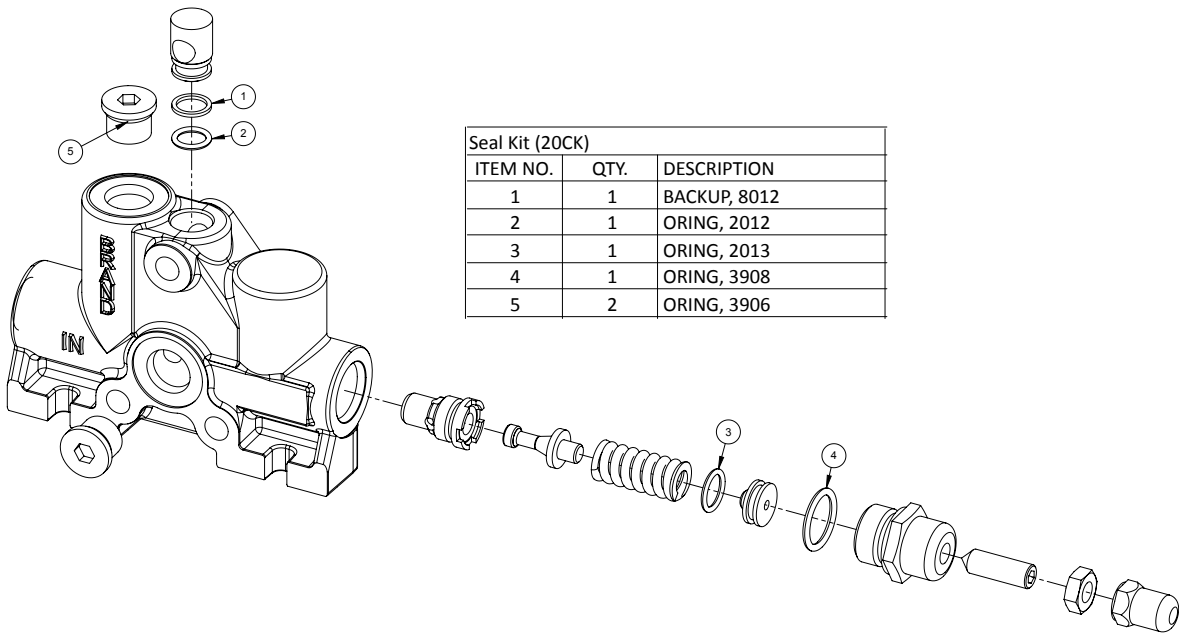
**#20BK Seal Kit
(between sections)**



Seal Kit (20DK)		
ITEM NO.	QTY.	DESCRIPTION
1	3	ORING, 2012
2	1	O RING 2016 90D
3	3	STEEL SHIM
4	2	ORING, 3906

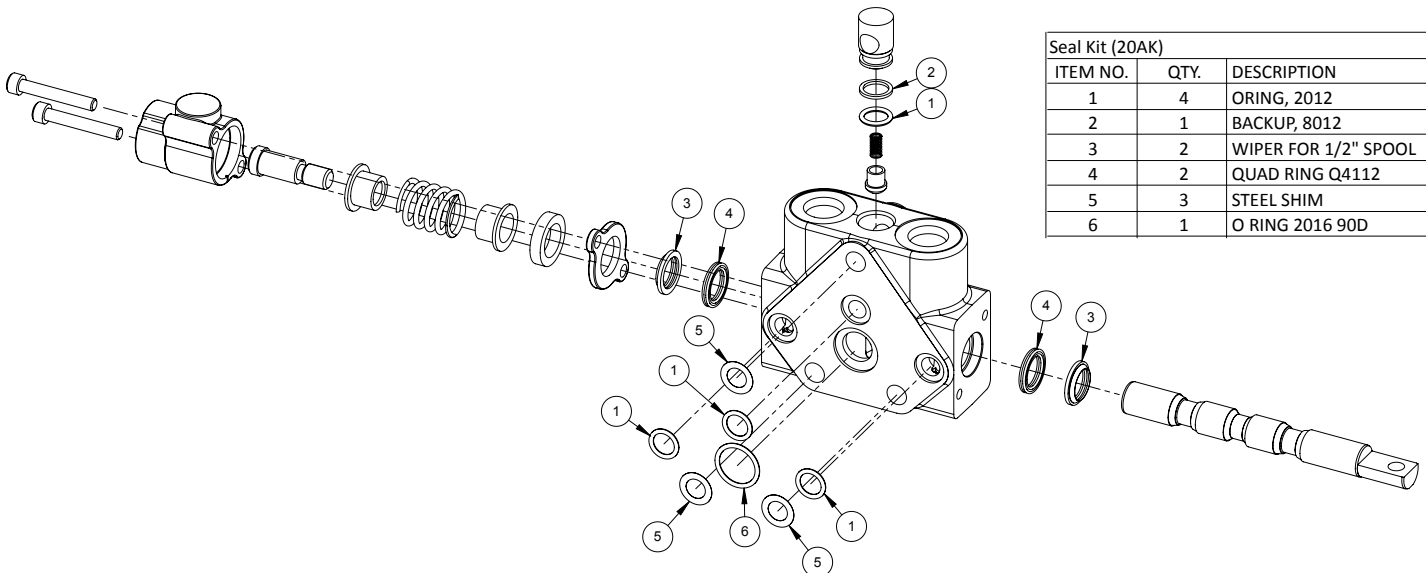
Seal Kit (20BK)		
ITEM NO.	QTY.	DESCRIPTION
1	3	ORING, 2012
2	1	O RING 2016 90D
3	3	STEEL SHIM

#20CK Seal Kit for S20 Inlet sections



Seal Kit (20CK)		
ITEM NO.	QTY.	DESCRIPTION
1	1	BACKUP, 8012
2	1	ORING, 2012
3	1	ORING, 2013
4	1	ORING, 3908
5	2	ORING, 3906

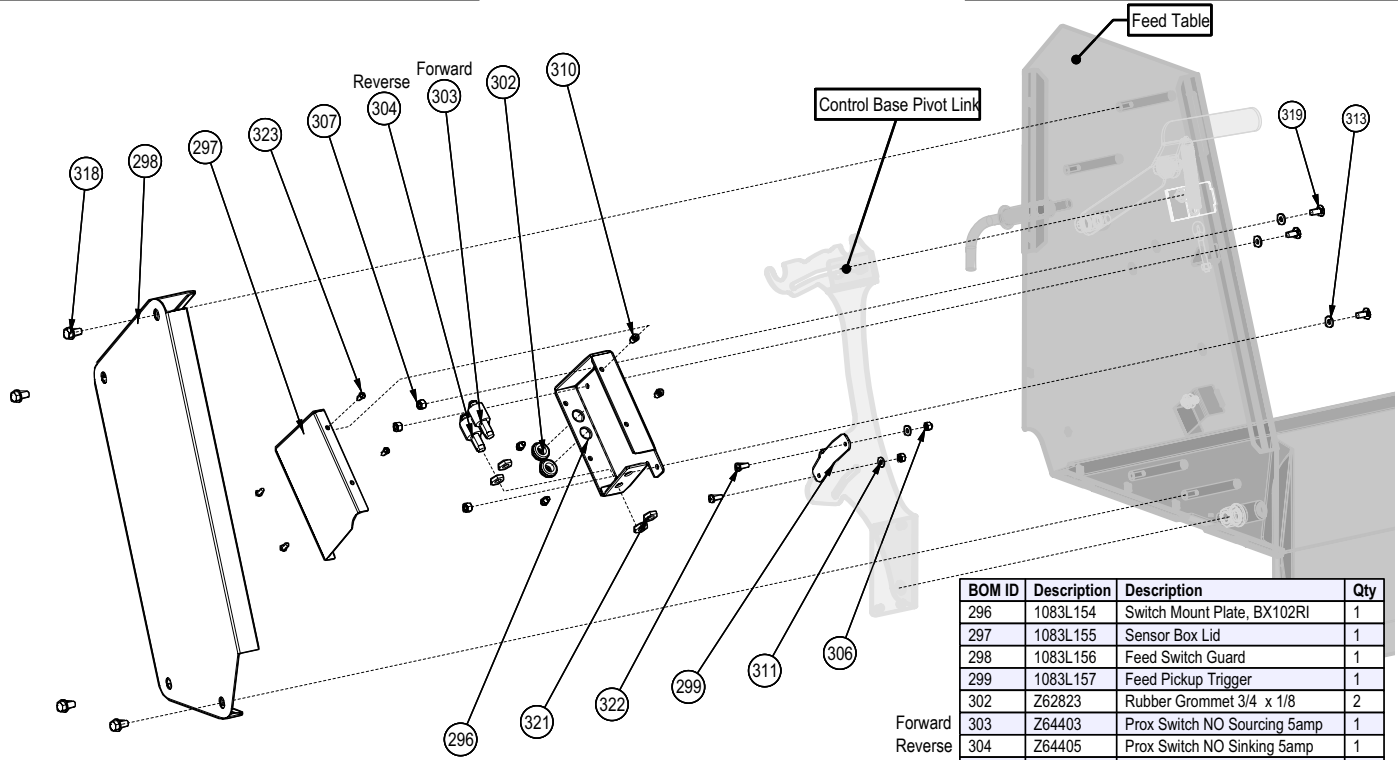
#20AK Seal Kit for S20 Work sections



Seal Kit (20AK)		
ITEM NO.	QTY.	DESCRIPTION
1	4	ORING, 2012
2	1	BACKUP, 8012
3	2	WIPER FOR 1/2" SPOOL
4	2	QUAD RING Q4112
5	3	STEEL SHIM
6	1	O RING 2016 90D

Intellifeed Roller Control Components

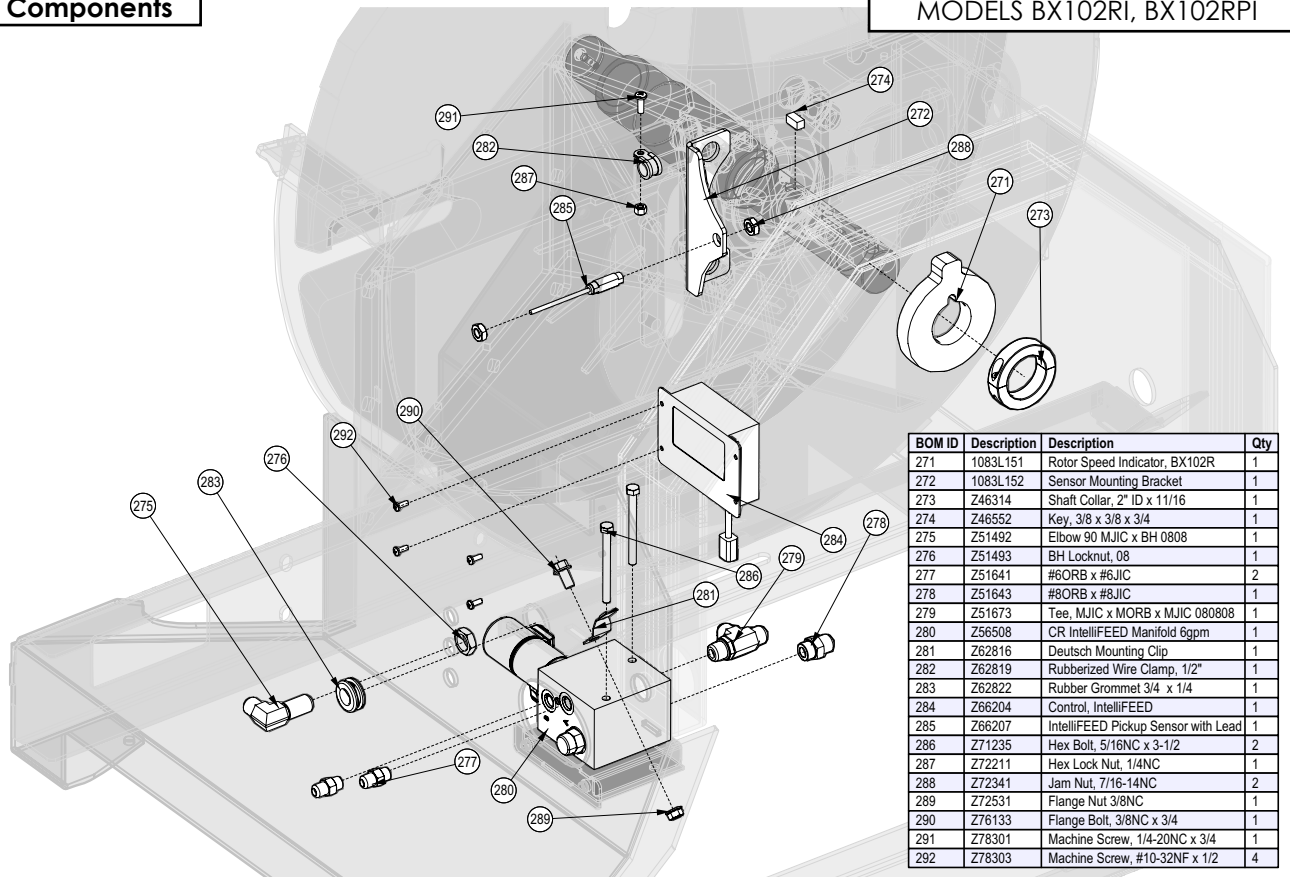
MODELS BX102RI, BX102RPI



BOM ID	Description	Description	Qty
296	1083L154	Switch Mount Plate, BX102RI	1
297	1083L155	Sensor Box Lid	1
298	1083L156	Feed Switch Guard	1
299	1083L157	Feed Pickup Trigger	1
302	Z62823	Rubber Grommet 3/4 x 1/8	2
303	Z64403	Prox Switch NO Sourcing 5amp	1
304	Z64405	Prox Switch NO Sinking 5amp	1
306	Z72211	Hex Lock Nut, 1/4NC	4
307	Z72221	Hex Lock Nut, 5/16NC	4
310	Z72954	Riv-Nut #10-32NF - 130	4
311	Z73111	Flat Washer, 1/4	2
313	Z73123	Rubber Flat Washer, 5/16 x 0.093"	3
318	Z76133	Flange Bolt, 3/8NC x 3/4	4
319	Z76221	Carriage Bolt, 5/16NC x 3/4	3
321	Z77282	Jam Nut, M14 x 1.5	4
322	Z78301	Machine Screw, 1/4-20NC x 3/4	2
323	Z78303	Machine Screw, #10-32NF x 1/2	4

Intellifeed Components

MODELS BX102RI, BX102RPI

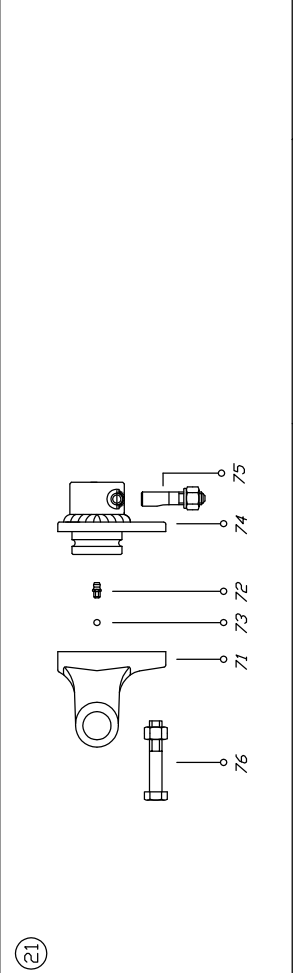
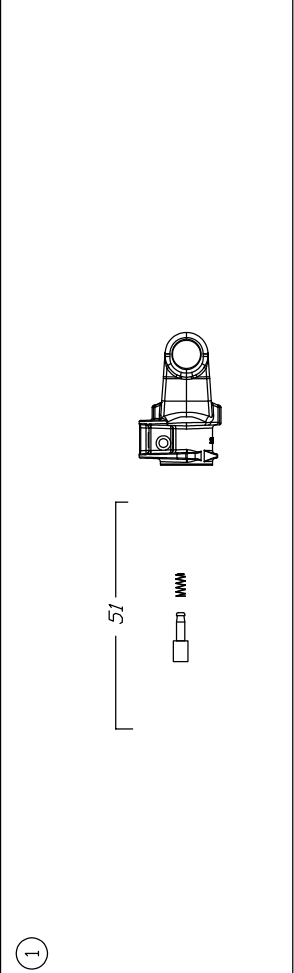
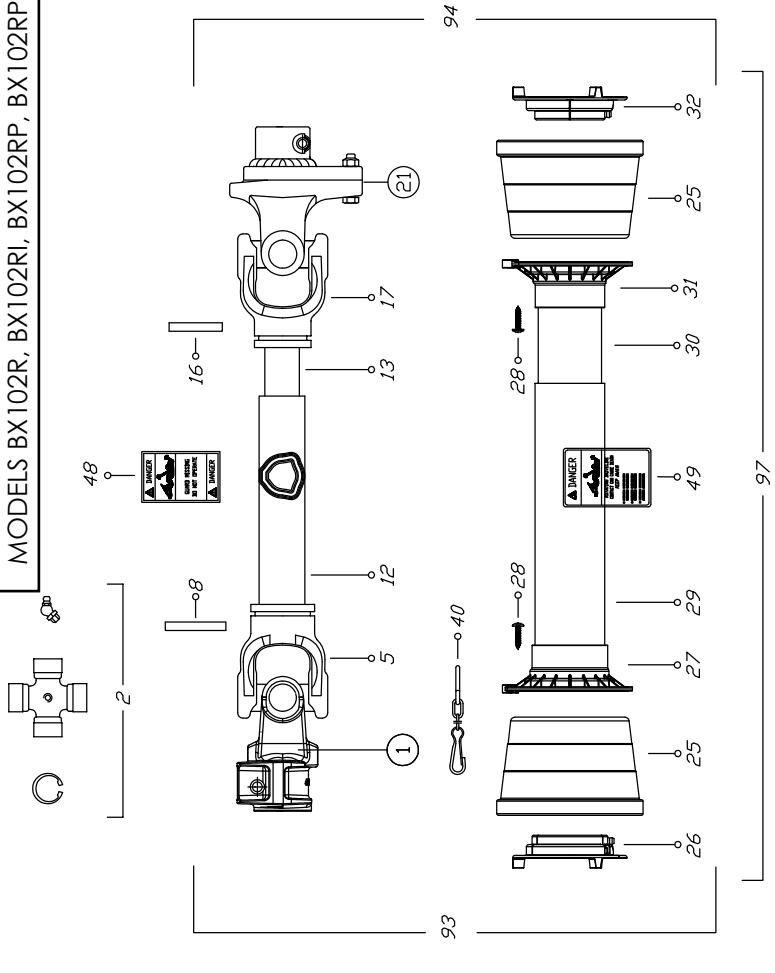


BOM ID	Description	Description	Qty
271	1083L151	Rotor Speed Indicator, BX102R	1
272	1083L152	Sensor Mounting Bracket	1
273	Z46314	Shaft Collar, 2" ID x 11/16	1
274	Z46552	Key, 3/8 x 3/8 x 3/4	1
275	Z51492	Elbow 90 MJIC x BH 0808	1
276	Z51493	BH Locknut, 08	1
277	Z51641	#8ORB x #6JIC	2
278	Z51643	#8ORB x #8JIC	1
279	Z51673	Tee, MJIC x MORB x MJIC 080808	1
280	Z56508	CR Intellifeed Manifold 6gpm	1
281	Z62816	Deutsch Mounting Clip	1
282	Z62819	Rubberized Wire Clamp, 1/2"	1
283	Z62822	Rubber Grommet 3/4 x 1/4	1
284	Z66204	Control, Intellifeed	1
285	Z66207	Intellifeed Pickup Sensor with Lead	1
286	Z71235	Hex Bolt, 5/16NC x 3-1/2	2
287	Z72211	Hex Lock Nut, 1/4NC	1
288	Z72341	Jam Nut, 7/16-14NC	2
289	Z72531	Flange Nut 3/8NC	1
290	Z76133	Flange Bolt, 3/8NC x 3/4	1
291	Z78301	Machine Screw, 1/4-20NC x 3/4	1
292	Z78303	Machine Screw, #10-32NF x 1/2	4

PTO Shaft #Z44802

MODELS BX102R, BX102RI, BX102RP, BX102RPI

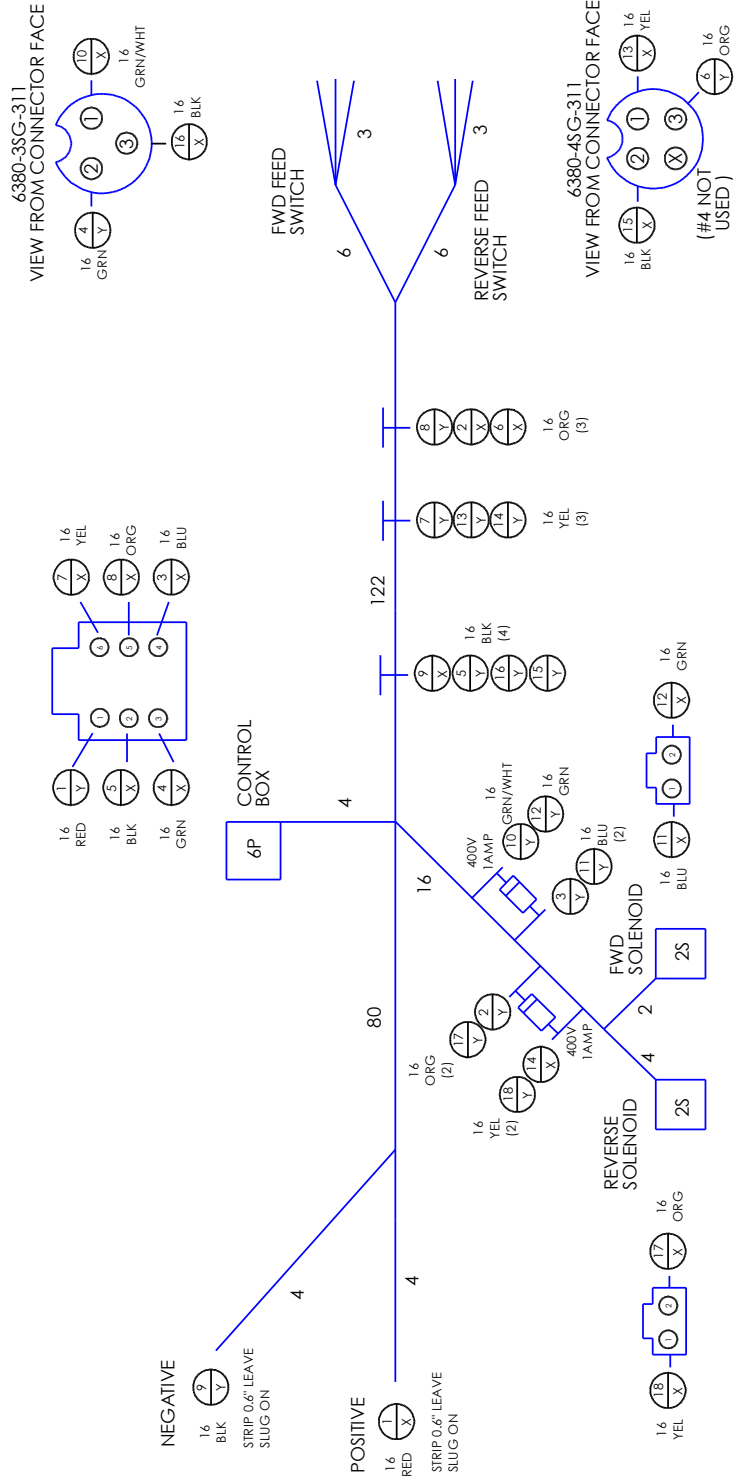
SPARE PARTS LIST : B8D061US098001			
POS.	DESCRIPTION	Q.	RIF. BINACCHI
01	YOKE	1	0800803A60
02	CROSS JOURNAL ASS.	2	08208
05	OUTER TUBE YOKE	1	08080021
08	FLEXIBLE PIN	1	098701075
12	CM. 100 CARDAN TUBE(*)	1	09881544100
13	CM. 100 CARDAN TUBE(*)	1	09881455100
16	FLEXIBLE PIN	1	098701065
17	INNER TUBE YOKE	1	08080011
21	SHEAR BOLT M12X65	1	Z19408 (5 pack)
25	CONE SHIELD BELL 07-08	2	021908C001
26	OUTER BEARING	1	025508C001
27	OUTER BASE CONE 07-08	1	025408C001
28	SCREW	8	0998052242
29	OUTER SAFETY TUBE	1	0988981NB8066
30	INNER SAFETY TUBE	1	0988975NB8066
31	INNER BASE CONE 07-08	1	025408C002
32	INNER BEARING	1	025508C002
40	CHAIN	1	0252000001
48	LABEL DANGER OUTER DRIVE TUBE	1	09872006
49	EXTERNAL SHIELD LABEL	1	09872003
51	COMPLETE PUSH BUTTTON	1	0986014060
71	YOKE FOR LB8	1	088608553
72	GREASE NIPPLE	1	0984010150
73	STEEL BALL	24	098680516
74	HUB	1	08868P70
75	CONIC SCREW	1	0408000061
76	NUT AND BOLT M12 x 65	1	Z19408
93	OUTER HALF SHAFT	1	B8061US2
94	INNER HALF SHAFT	1	B8061US1098001
97	SAFETY GUARD	1	0833US08061



MODELS BX102RI, BX102RPI

Intellifeed Wiring Diagram #Z62109

NOTE: HARNESS IS BRAIDED



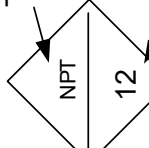
Hydraulic Hose Parts List

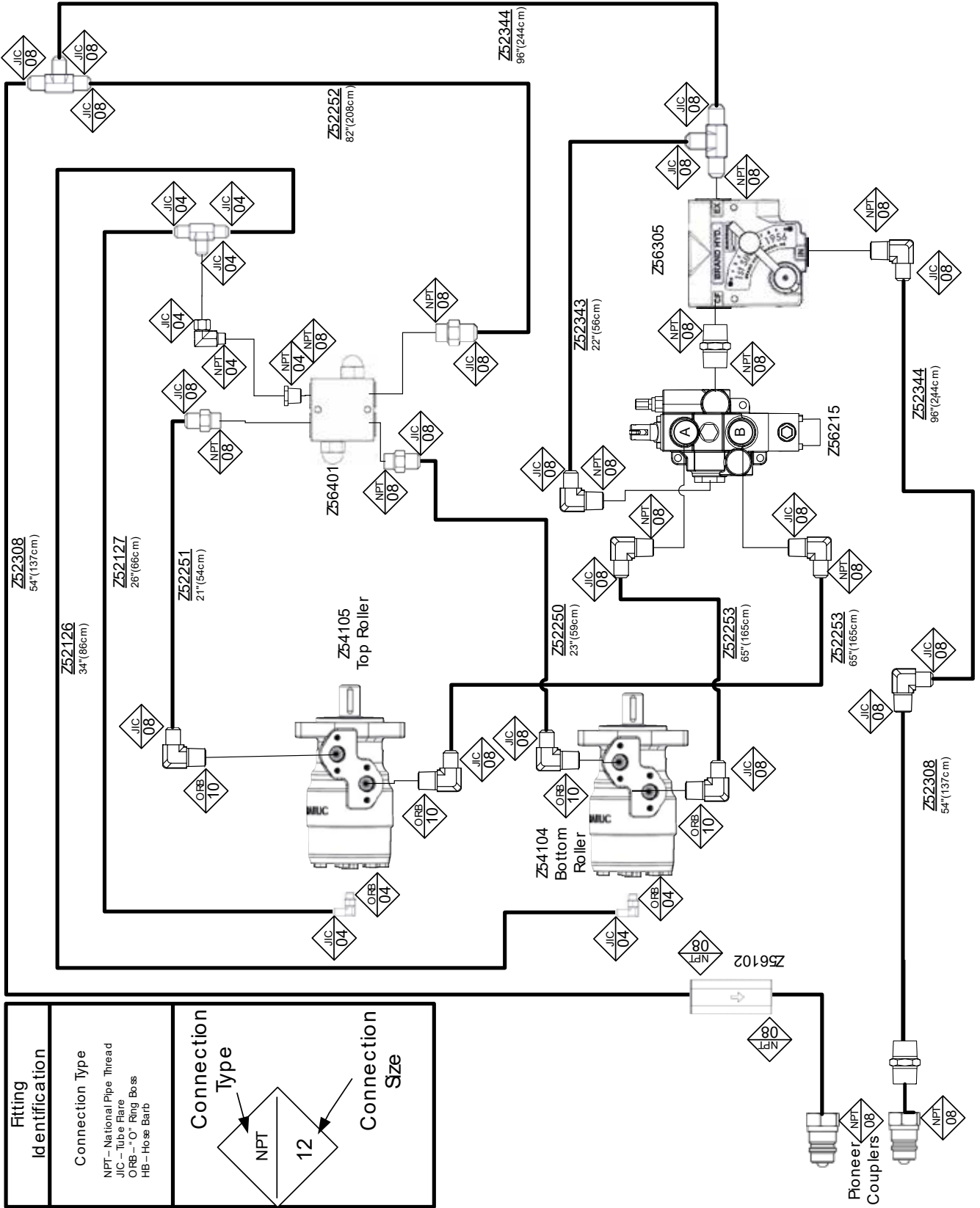
The Chart below is a complete list of hydraulic hoses for all models of the BX102. For information on your model and its hose connections please review the hydraulic schematics on the following pages.

PARTNUMBER		Description	QTY.
With Protective Sleeve	With Out Protective Sleeve		
n/a	Z29312	1/4 Grease Hose, MP02 x MP02 x 13"	2
n/a	Z29313	1/4 Grease Hose, MP02 x MP02 x 16"	2
Z52121SC	Z52121	1/4 Hose, FJIC06 x 90FJIC06 x 28"	2
Z52126SC	Z52126	1/4 Hose, FJIC04 x 90FJIC04 x 34"	1
Z52127SC	Z52127	1/4 Hose, FJIC04 x 90FJIC04 x 26"	1
Z52135SC	Z52135	1/4 Hose, FJIC06 x 90FJIC06 x 18"	1
Z52136SC	Z52136	1/4 Hose, FJIC06 x 90FJIC06 x 23"	1
Z52250SC	Z52250	3/8 Hose, FJIC08 x 90FJIC08 x 23"	1
Z52251SC	Z52251	3/8 Hose, FJIC08 x 90FJIC08 x 21"	1
Z52252SC	Z52252	3/8 Hose, FJIC08 x 90FJIC08 x 82"	1
Z52253SC	Z52253	3/8 Hose, FJIC08 x FJIC08 x 65"	2
Z52257SC	Z52257	3/8 Hose, FJIC08 x 45FJIC06 x 30"	1
Z52258SC	Z52258	3/8 Hose, FJIC08 x 45FJIC06 x 106"	1
Z52308SC	Z52308	1/2 Hose, MP08 x FJIC08 x 54"	2
Z52343SC	Z52343	1/2 Hose, FJIC08 x FJIC08 x 22"	1
Z52344SC	Z52344	1/2 Hose, FJIC 08 x FJIC08 x 96"	2
Z52345SC	Z52345	1/2 Hose, FJIC08 x 90FJIC08 x 16"	1
Z52346SC	Z52346	1/2 Hose, FJIC08 x 90FJIC08 x 20"	1

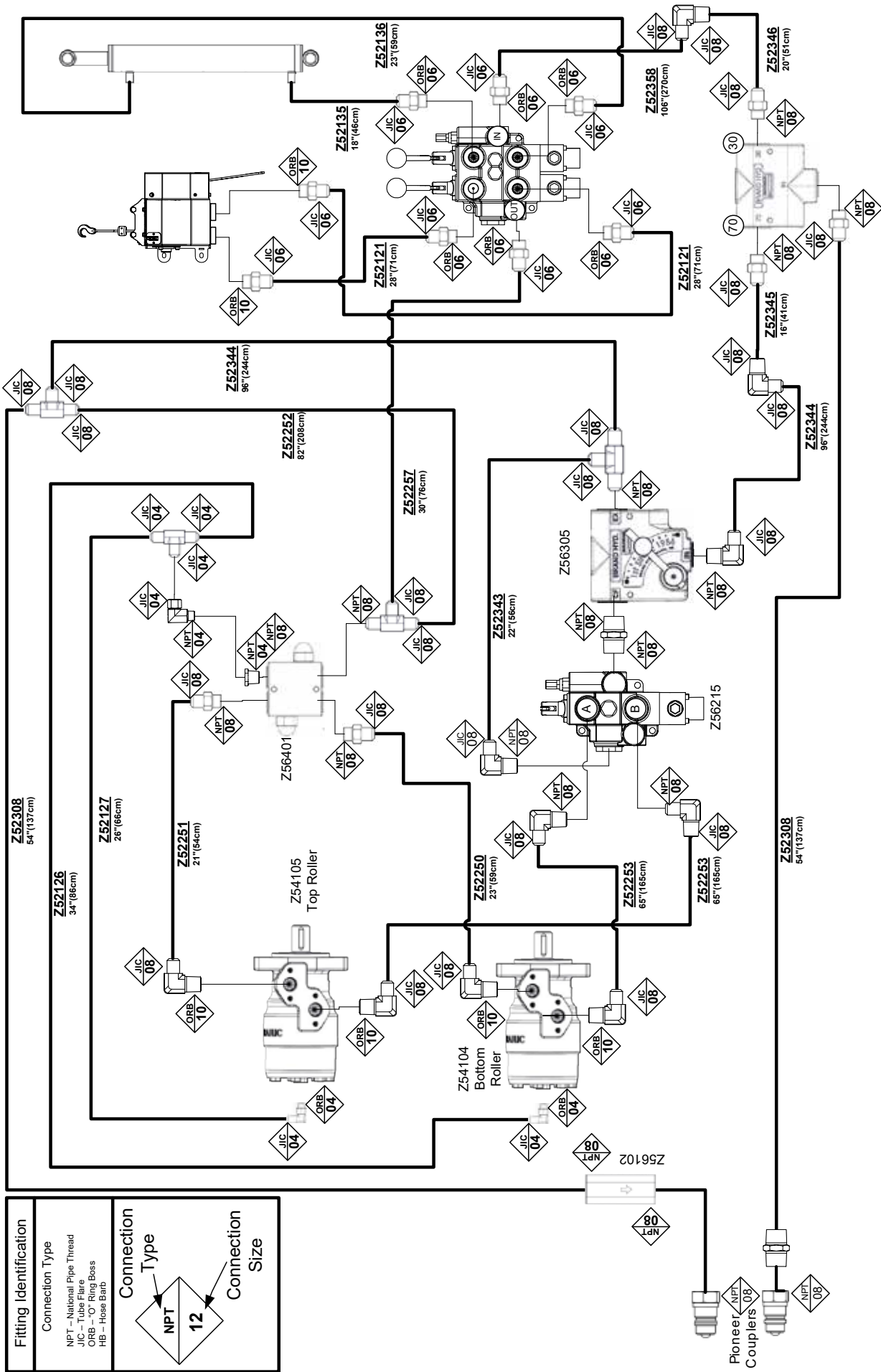
Hoses with Protective Sleeves are required for EU models

Hydraulic Schematic BX102R

Fitting Identification
Connection Type NPT - National Pipe Thread JIC - Tube Flare ORB - "O" Ring Boss HB - Hose Barb
Connection Type 
Connection Size



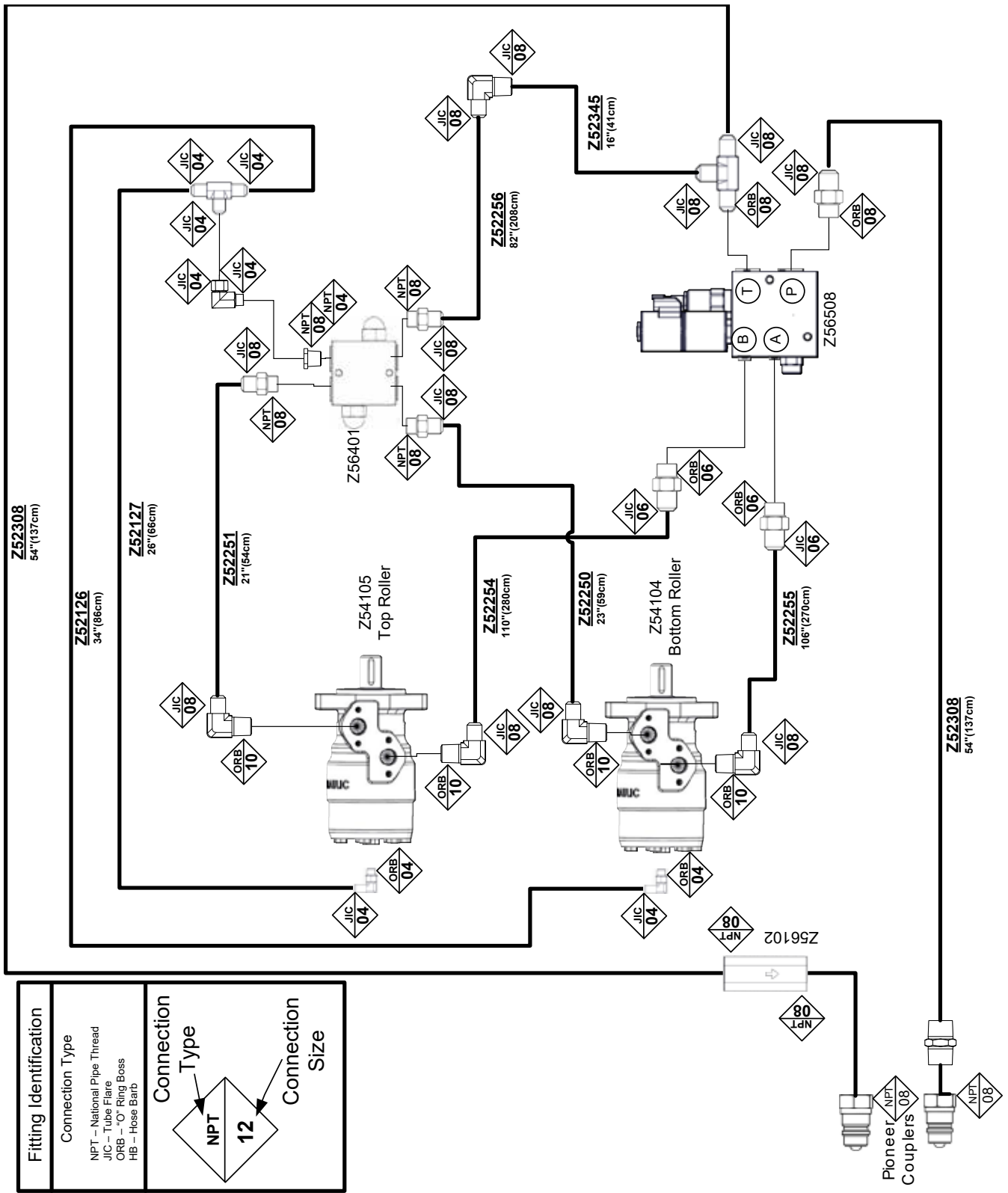
Hydraulic Schematic BX102RP



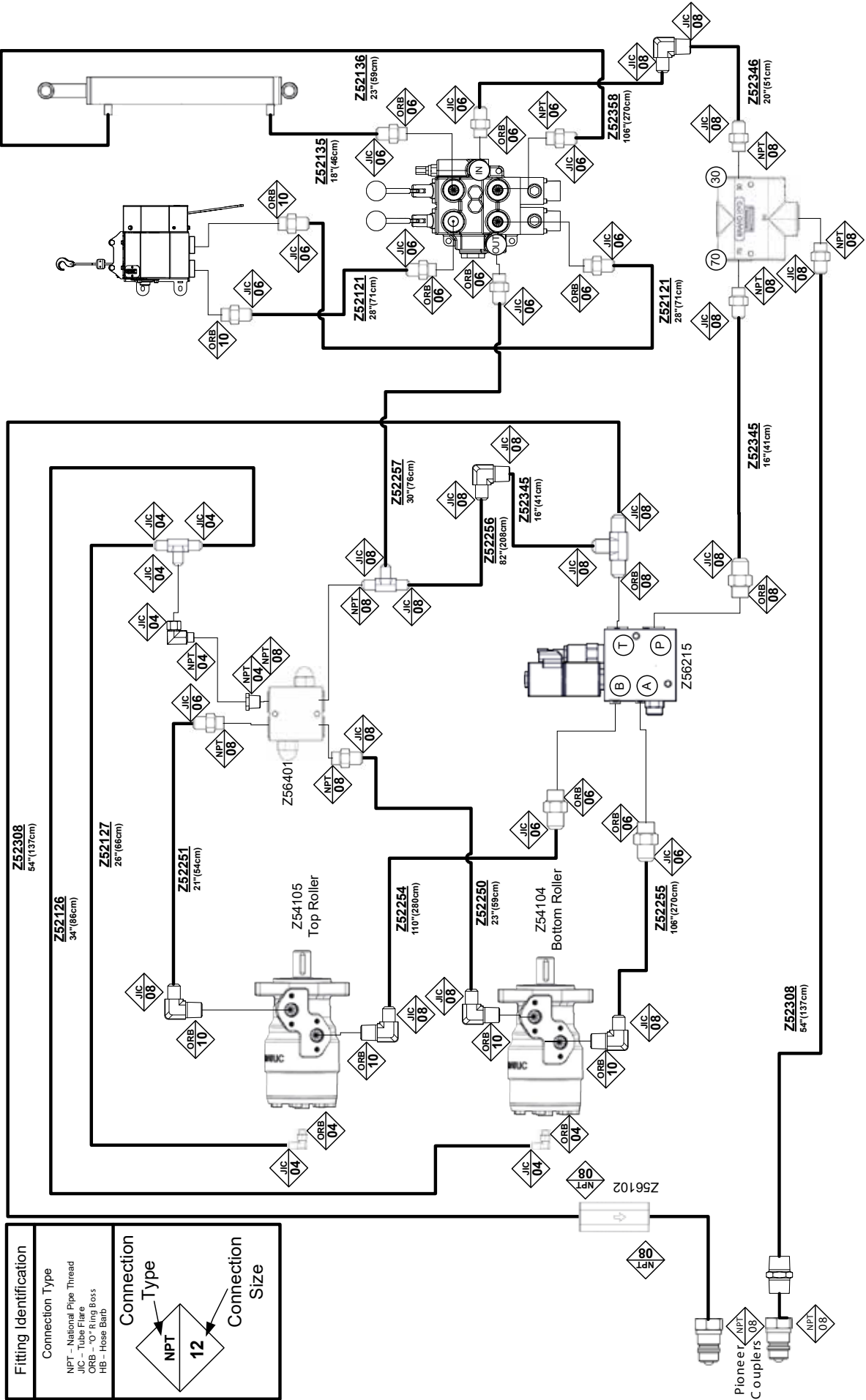
Fitting Identification	
Connection Type	
NPT - National Pipe Thread	
JIC - JIC	
ORB - "O" Ring Boss	
HB - Hose Barb	
Connection	
Type	Size
NPT	12

Hydraulic Schematic BX 102RI

Fitting Identification	
Connection Type	
NPT – National Pipe Thread JIC – Tube Flare ORB – “O” Ring Boss HB – Hose Barb	
Connection Type	Connection Size
NPT	12



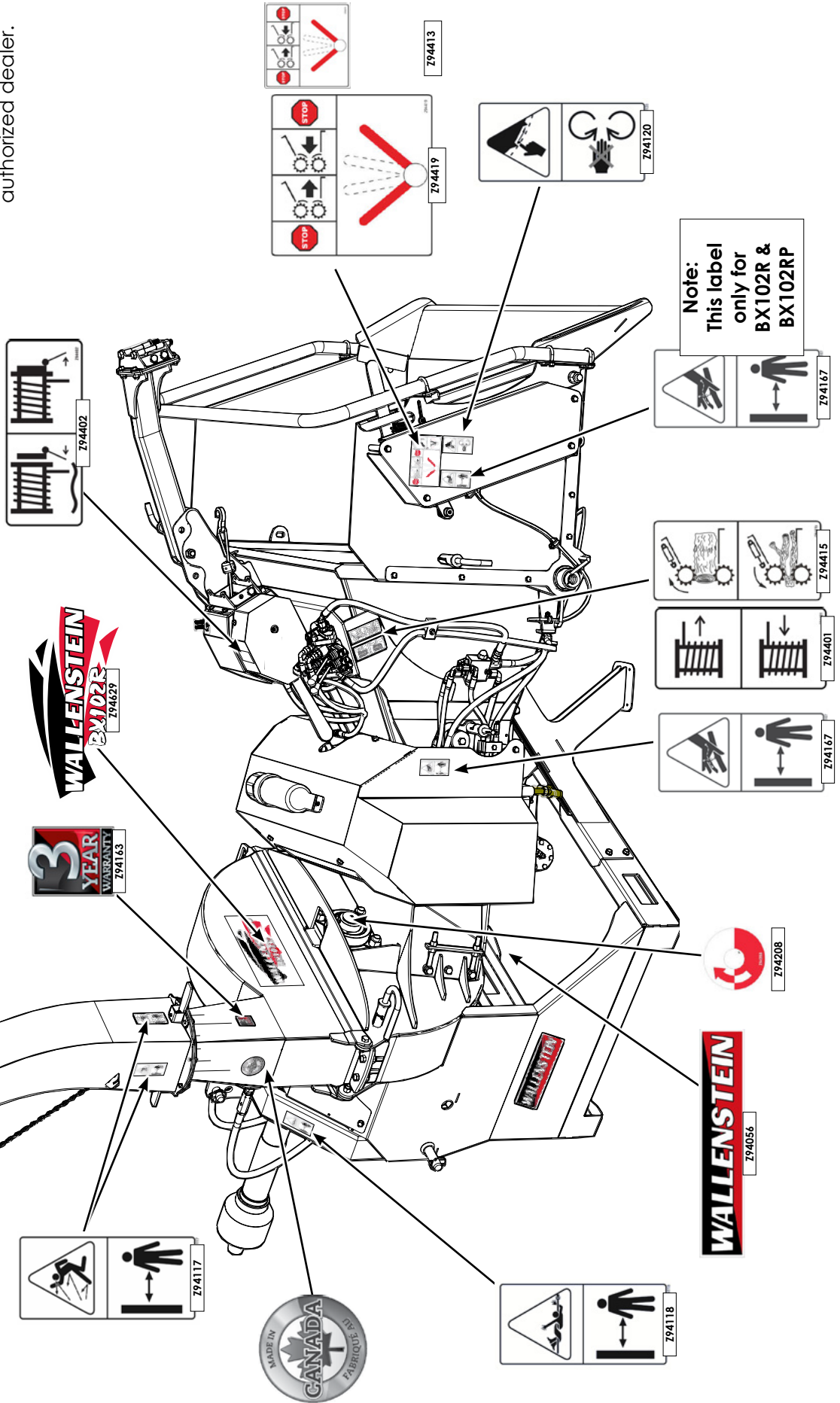
Hydraulic Schematic BX102RPI



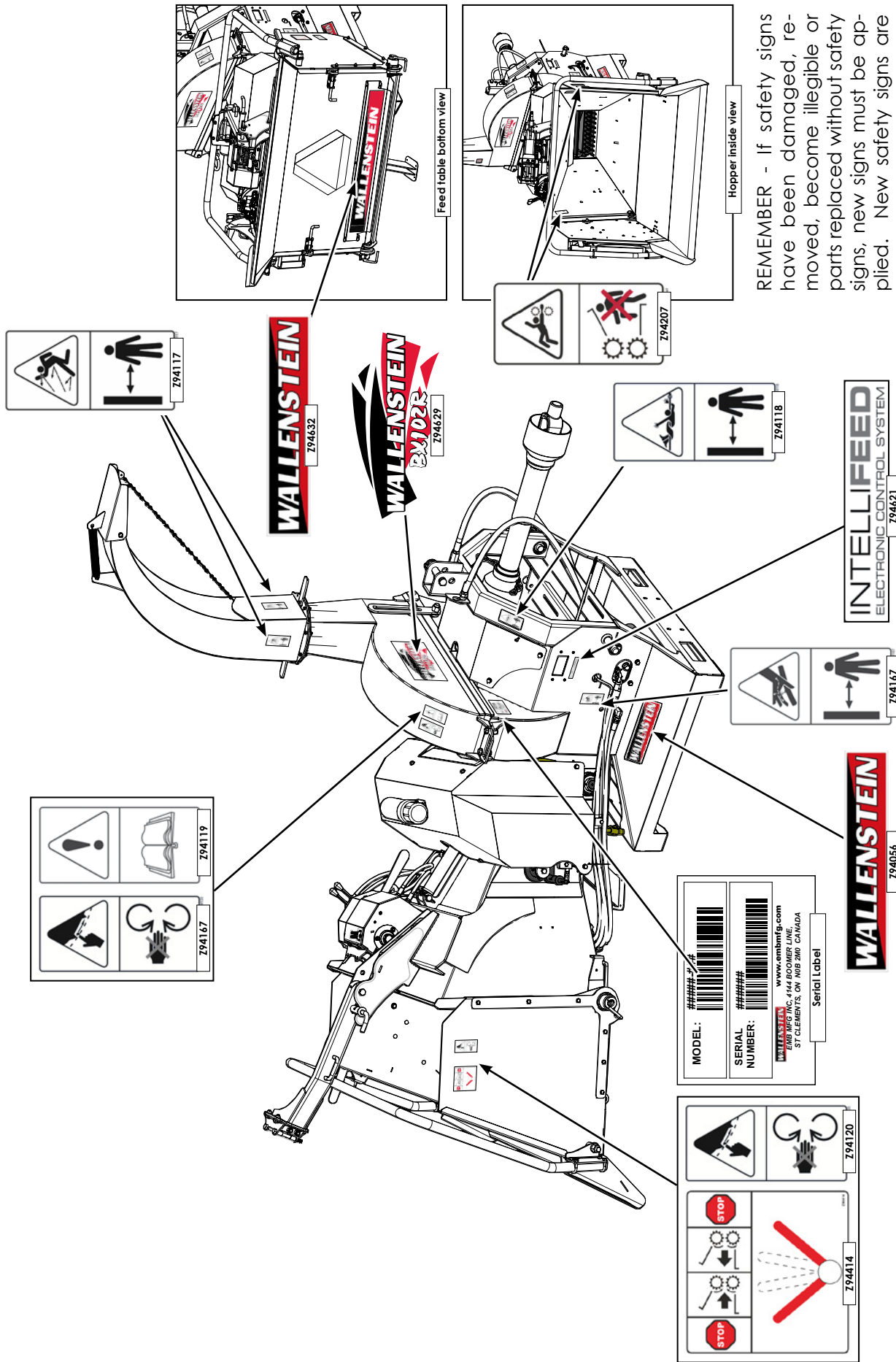
Fitting Identification	
Connection Type	
NPT - National Pipe Thread	
JIC - Tube Flare	
ORB - "O" Ring Boss	
HB - Hose Barb	
Connection Type	
NPT	
12	
Connection Size	

REMEMBER - If safety signs have been damaged, removed, become illegible or parts replaced without safety signs, new signs must be applied. New safety signs are available from your authorized dealer.

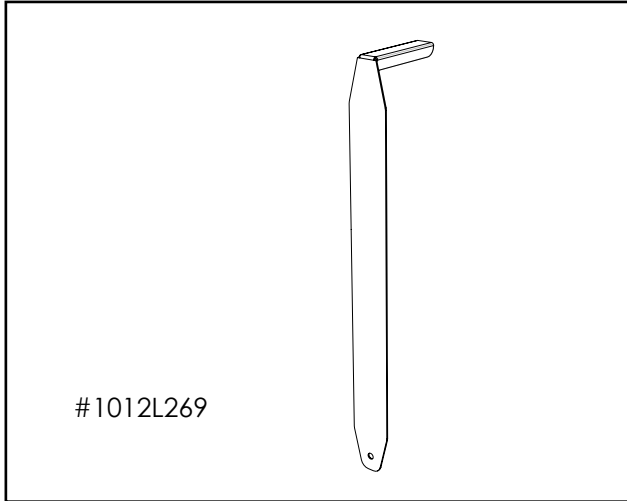
Labels - Left Side View



Labels - Right Side View



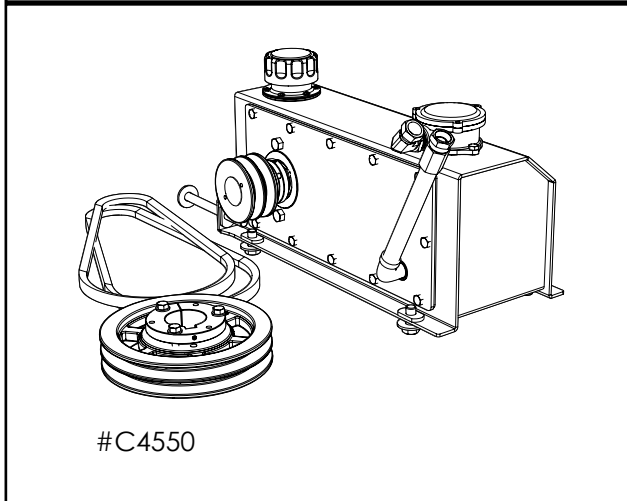
REMEMBER - If safety signs have been damaged, removed, become illegible or parts replaced without safety signs, new signs must be applied. New safety signs are available from your authorized dealer.



#1012L269

#1012L269 LEDGER CLEARANCE SETTING GAUGE

For **BX102 Series**
 An easy and accurate way of setting the critical clearances between the ledger blade and the rotor chipper blade.

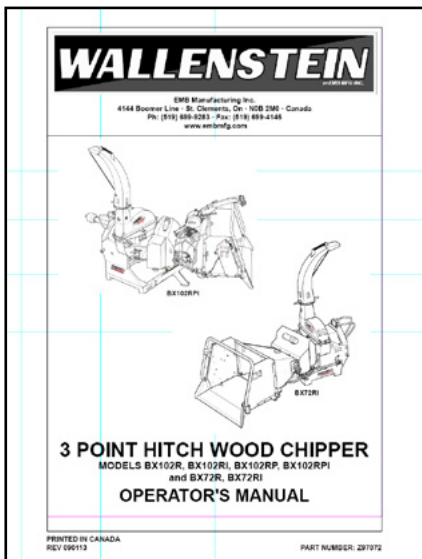


#C4550

#C4550 SELF CONTAINED PTO POWER PACK

For model: **BX102 Series**
 Easy to install
 For tractors without available hydraulics, the optional power-pack mounts on the chipper just under the PTO shaft, and provides you with the means to operate the hydraulic feed hopper on model BX102R.

Manual



Z97072

Available as a download at www.embmfg.com