



**WX440 Skidsteer  
Splitter Parts Manual  
Prior to S/N 24405**



## Foreword

EMB Mfg. has prepared this parts manual to assist customers in ordering quality OEM replacement parts.

Proper and regular service and replacing old, worn or broken parts with the correct Wallenstein parts are essential to prolonging the life of your Wallenstein product. Please refer to this manual before ordering any replacement parts.

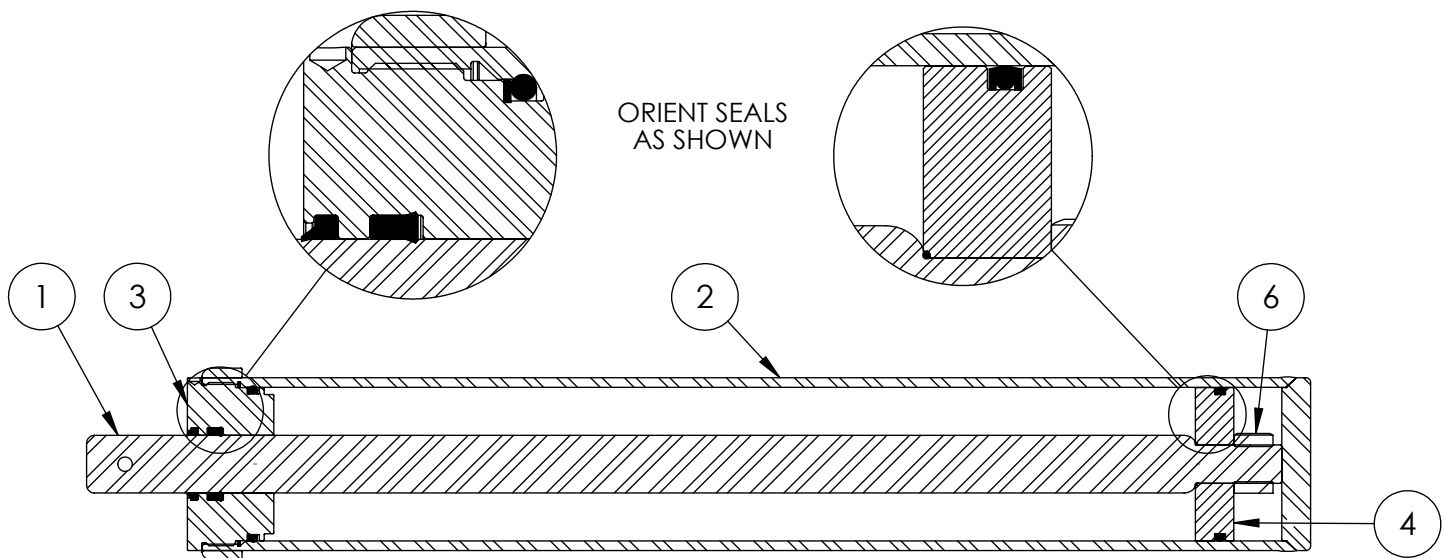
All information contained in this parts manual is based on the latest product specification available at the time of printing this manual. If your product differs from the specifications contained within this manual contact EMB Mfg. for information.

EMB reserves the right to alter specifications on their products at any time.

Reproduction of this parts manual of any kind is prohibited without prior written permission from EMB Mfg.

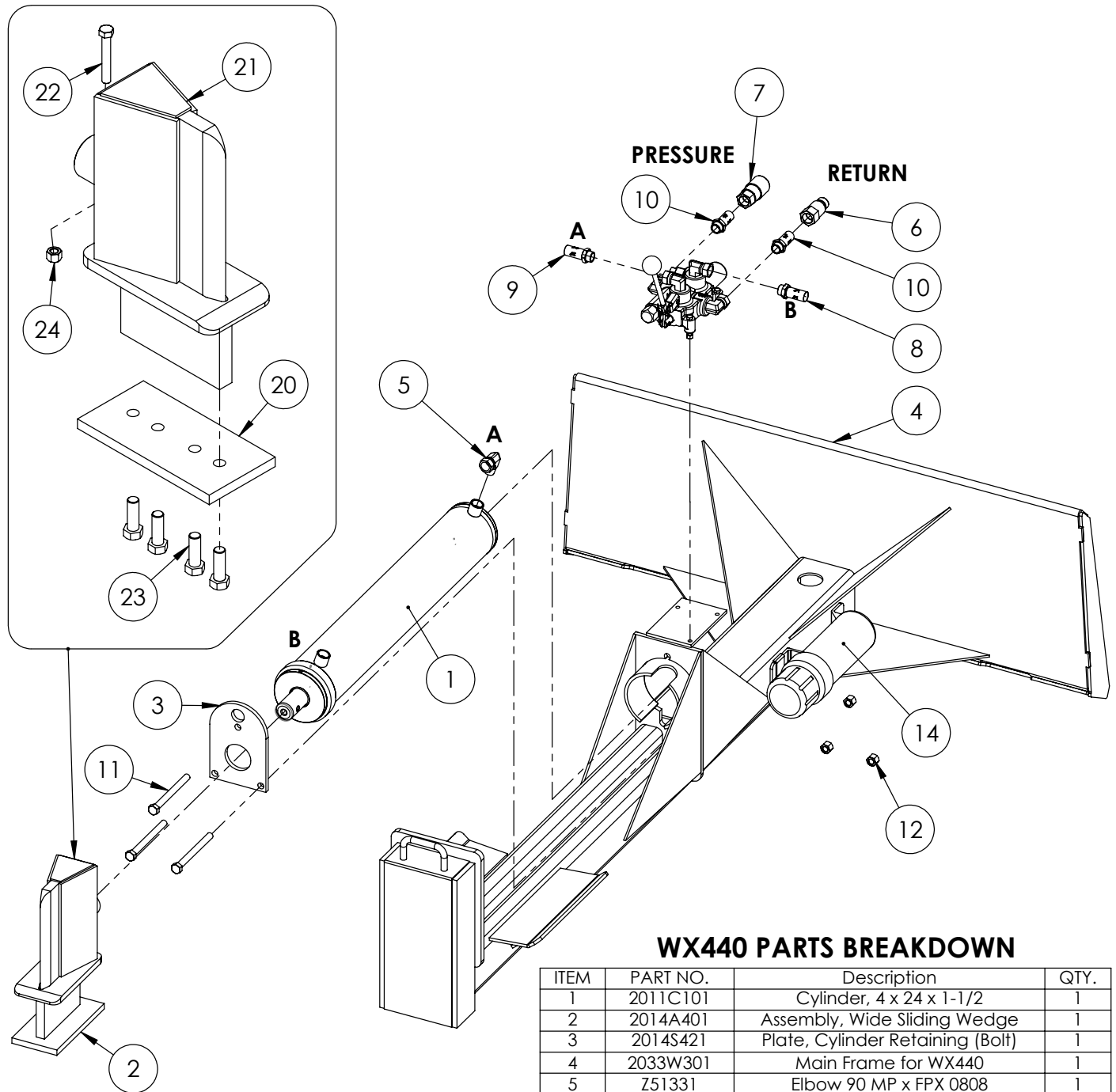
# Table of Contents

Cylinder	4
Main Parts	5
Valve and Fittings	6
Valve	7
4-Way Wedge (Optional)	9
Decal Breakdown	10



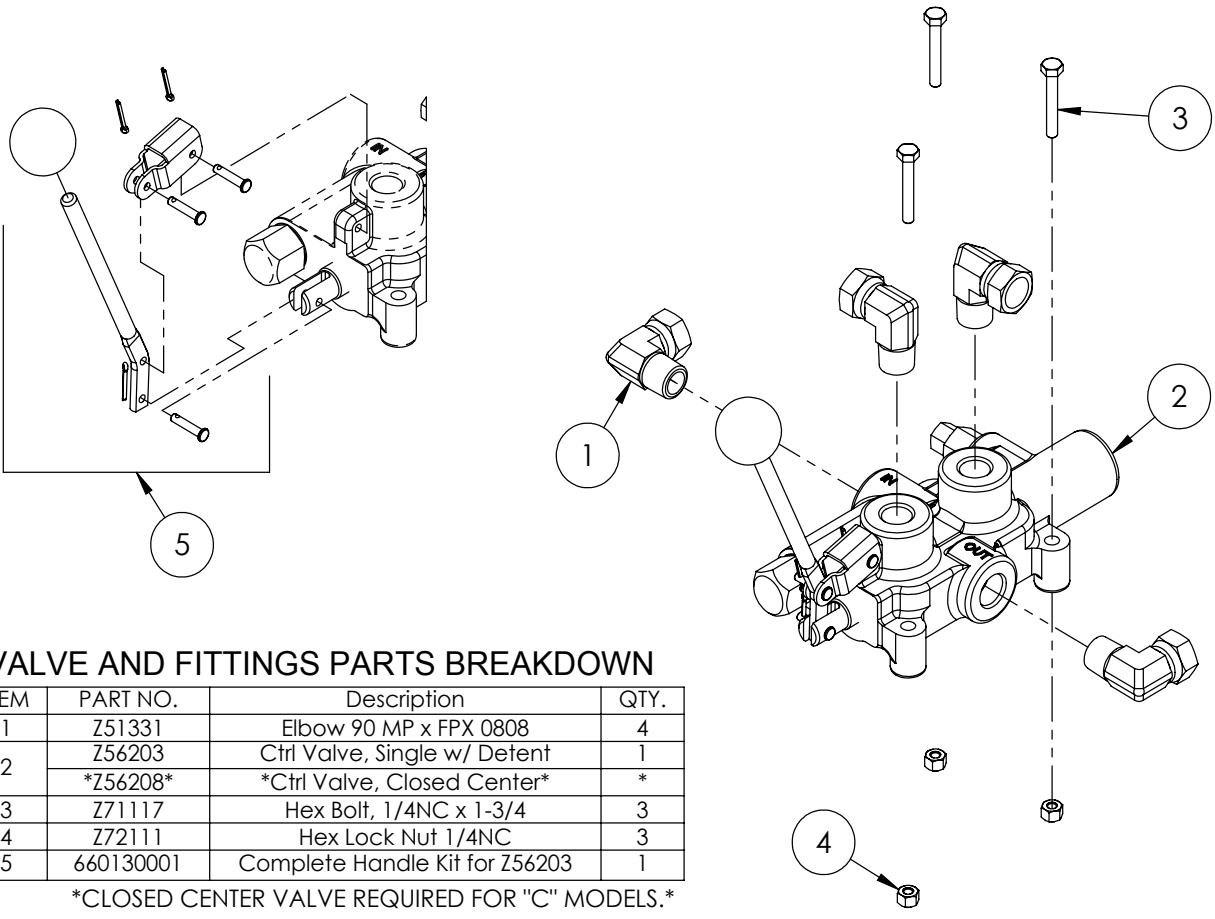
**4" x 24" STROKE CYLINDER PARTS**

ITEM	PART NO.	Description	QTY.
1	2011C1012	Rod, 1-1/2 x 1	1
2	2011C1014	Barrel, 4"	1
3	G400-150SA	4" Bore x 1-1/2" Rod Gland	1
4	P100-400SA	4" Bore Piston	1
5	SLK-4015	Seal Kit, 4 x 1-1/2	1
6	Z72292G8	Hex Lock Nut 1NF Grade 8	1



**WX440 PARTS BREAKDOWN**

ITEM	PART NO.	Description	QTY.
1	2011C101	Cylinder, 4 x 24 x 1-1/2	1
2	2014A401	Assembly, Wide Sliding Wedge	1
3	2014S421	Plate, Cylinder Retaining (Bolt)	1
4	2033W301	Main Frame for WX440	1
5	Z51331	Elbow 90 MP x FPX 0808	1
6	Z51919	Flat-Face, FP08 x Male ISO16028	1
7	Z51920	Flat Face FP08 x Fem ISO 16028	1
8	Z52301	1/2 Hose MP08 x MP08 x 16"	1
9	Z52305	1/2 Hose, MP08 x MP08 x 24"	1
10	Z52312	1/2 Hose, 1/2MPx1/2MPx 96"	2
11	Z71555	Hex Bolt 1/2NC x 5-1/2	3
12	Z72251	Hex Lock Nut 1/2NC	3
13	Z76712	Self-tapping Screw #10	1
14	Z96503	Manual Tube 3-1/2 Short	1
ITEM	PART NO.	Description	QTY.
20	2014S414	Plate, Sliding Wedge Capture	1
21	2014W402	Weldment, Sliding Wedge	1
22	Z71325	Hex Bolt 3/8NC x 2-1/2	1
23	Z71576	Hex Bolt 1/2NF x 1-1/2	4
24	Z72231	Hex Lock Nut 3/8NC	1

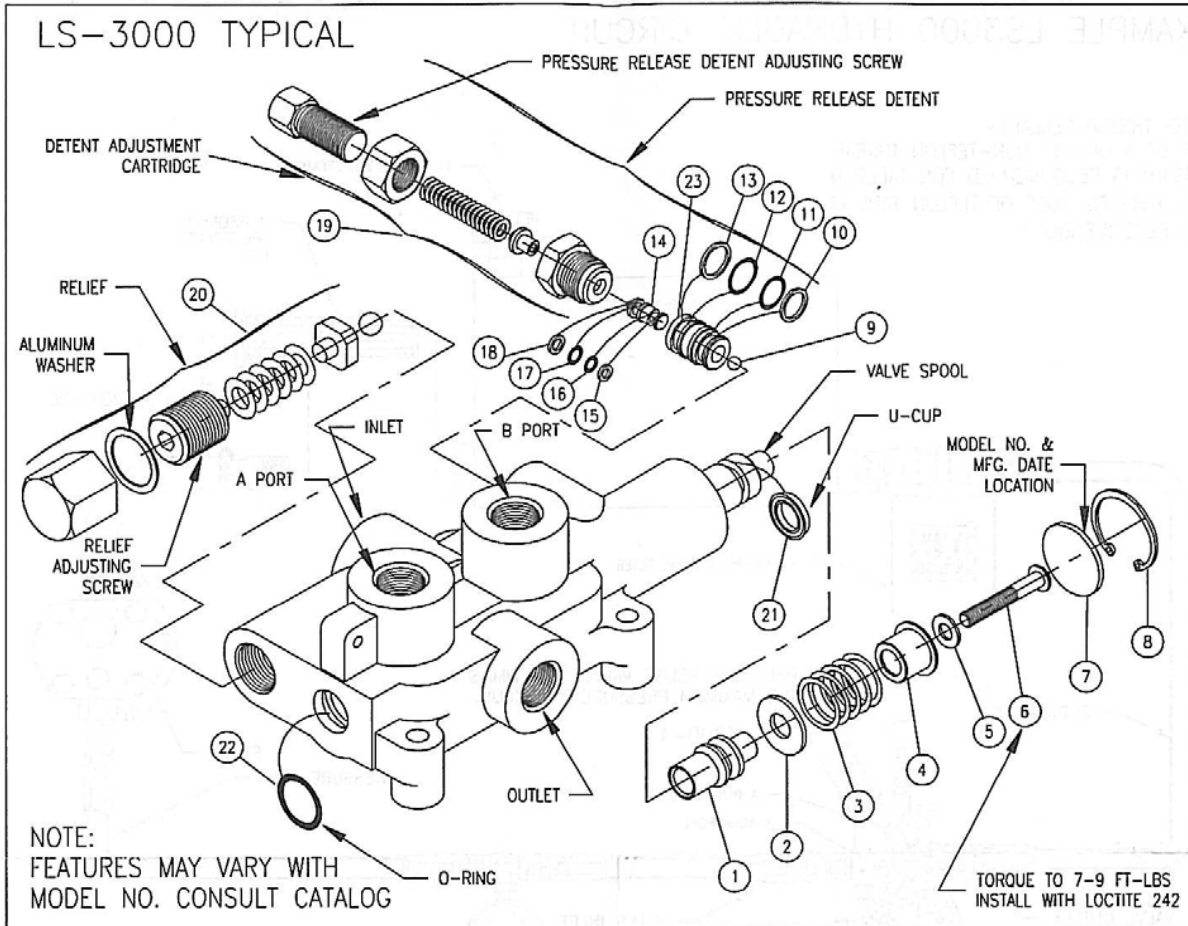


**VALVE AND FITTINGS PARTS BREAKDOWN**

ITEM	PART NO.	Description	QTY.
1	Z51331	Elbow 90 MP x FPX 0808	4
2	Z56203	Ctrl Valve, Single w/ Defent	1
	*Z56208*	*Ctrl Valve, Closed Center*	*
3	Z71117	Hex Bolt, 1/4NC x 1-3/4	3
4	Z72111	Hex Lock Nut 1/4NC	3
5	660130001	Complete Handle Kit for Z56203	1

\*CLOSED CENTER VALVE REQUIRED FOR "C" MODELS.\*

# Z56203 Valve Breakdown



**PLEASE NOTE:**  
BEFORE REMOVING VALVE SPOOL OR SPOOL SLEEVE REMOVE DETENT ADJUSTING CART., DETENT PISTON AND STEEL BALL. INSTALL SPOOL AND SPOOL SLEEVE BEFORE REINSTALLING STEEL BALL.

## LS-3000 KITS AND CARTRIDGES

**PRESSURE RELEASE DETENT**  
This feature provides a pressure release detent for the spool 'out' (handle in) position. When the spool is manually placed in the detent position oil is directed to the 'B' work port (the port away from the handle). When the pressure in the 'B' port reaches a preset level the detent will release and the spool will center. The factory setting is 1400 psi. The detent release pressure is adjustable by loosening the jam nut and turning the adjusting screw. Turning the adjusting screw clockwise will increase the detent release pressure and counterclockwise will decrease the detent release pressure. NOTE: if the detent release pressure is set too high the spool will not center, if the pressure is too low the detent will not hold. If cap screw item 6 becomes loose detent will not function properly.

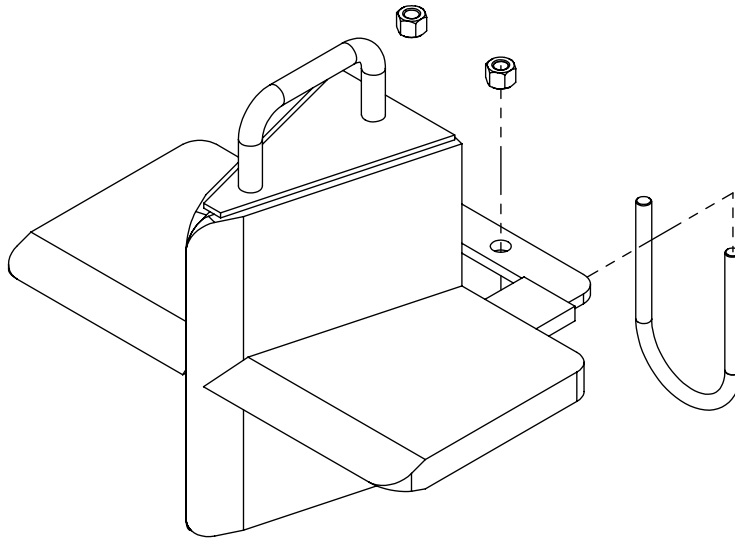
**RELIEF VALVE**  
An adjustable ball spring relief valve is standard on all LS-3000 valves. The standard factory setting is 2250 psi @ 3 gpm and 120°F. Other settings can be specified. The relief pressure is adjusted by removing acorn nut, and turning the adjusting screw. Turning the adjusting screw clockwise will increase the pressure and counterclockwise will decrease the pressure (a pressure gauge must be installed in the inlet line whenever the relief pressure is adjusted). Do not backout adjusting screw to the point it falls out.

**⚠ WARNING: OVERPRESSURE MAY CAUSE SUDDEN AND UNEXPECTED FAILURE OF A COMPONENT IN THE HYDRAULIC SYSTEM RESULTING IN SERIOUS PERSONAL INJURY. ALWAYS USE A GAUGE WHEN ADJUSTING A RELIEF VALVE.**

ITEM	QTY	PART NO.	DESCRIPTION
1	1		DETENT SLEEVE
2	1		WASHER
3	1		SPRING
4	1		STOP CUP
5	1		WASHER
6	1		CAP SCREW
7	1		SPACER
8	1		SNAP RING
9	1		STEEL BALL
10	1		BACK-UP WASHER
11	1		O-RING
12	1		O-RING
13	1		BACK-UP WASHER
14	1		PISTON
15	1		BACK-UP WASHER
16	1		O-RING
17	1		O-RING
18	1		BACK-UP WASHER
19	1		DETENT ADJUSTING CART.
20	1		RELIEF KIT
21	1		U-CUP
22	1		O-RING
23	1		PISTON SLEEVE
		660530001	LS-3000 SEAL KIT
		660125004	RELIEF KIT
		660330002	DETENT ADJUSTING CART.
		660130007	PRESSURE RELEASE DETENT KIT
		660130001	COMPLETE HANDLE KIT

This Page is Intentionally Blank



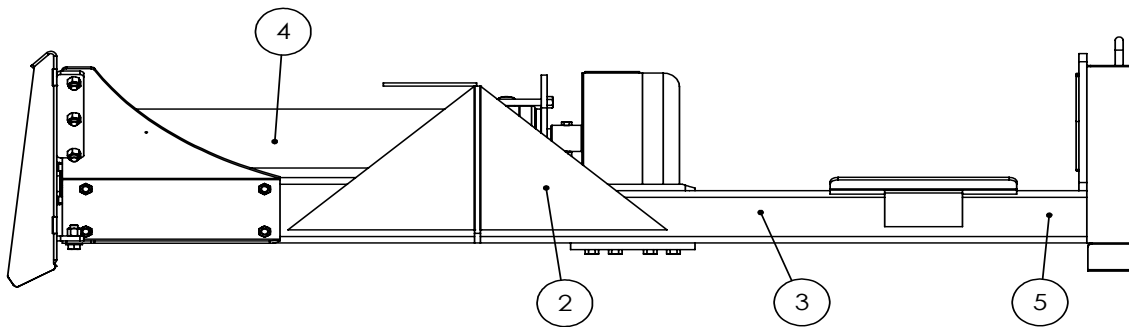
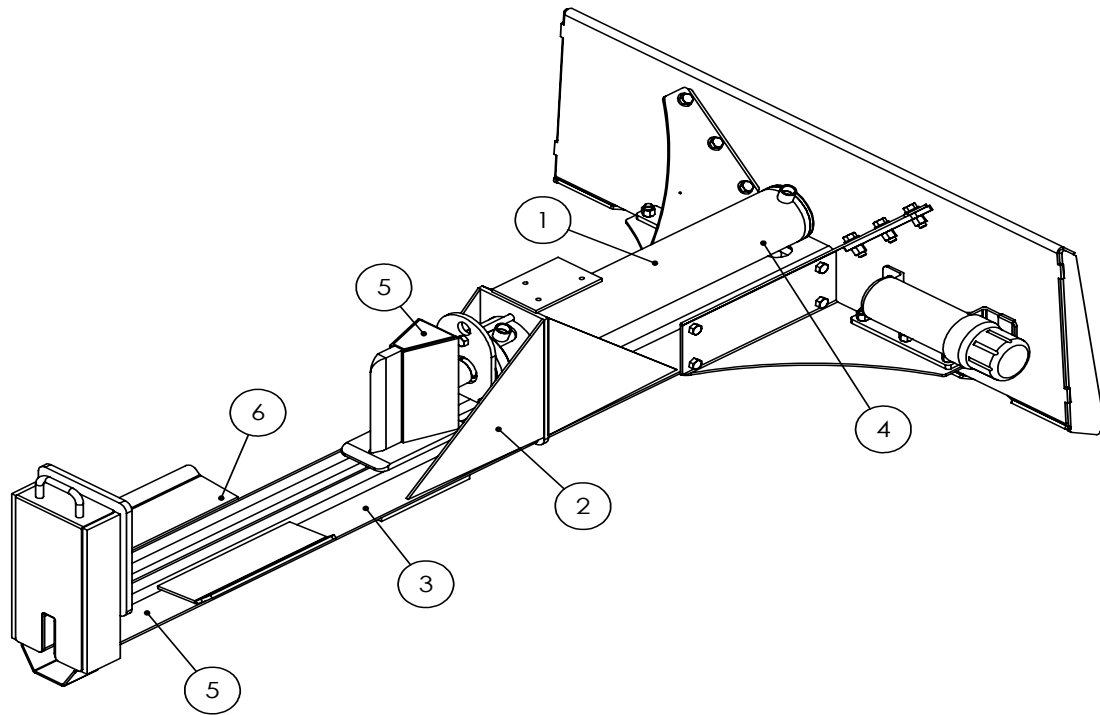


### W4120 4-Way Wedge (Optional)

ITEM	PART NO.	DESCRIPTION	QTY
1	2082W201	Weldment, Main W4120	1
2	2082S201	Safety U-bolt	1
3	Z72231	Hex Lock Nut 3/8NC	2

### WX440 DECAL BREAKDOWN

ITEM	PART NO.	DESCRIPTION	QTY
1	Z94039	CAUTION - Read Manual	1
2	Z94040	WARNING - Moving Wedge	2
3	Z94067	Clear Guide	2
4	Z94056	Wallenstein	2
5	Z94019	Made in Canada	3
6	Z94066	Apply Oil or Grease	1



# Skidsteer Splitter Decals

Z94056



Z94067



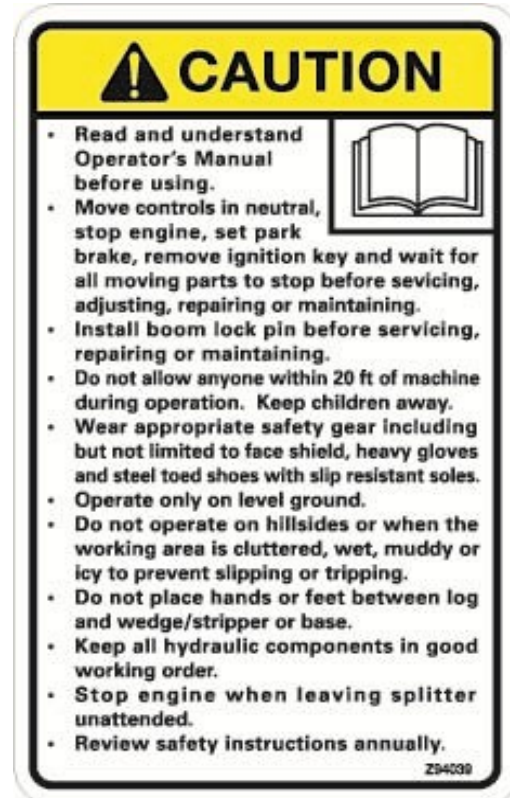
Z94019



Z94066



Z94039



Z94040





**WALLENSTEIN Products Manufactured by:**

**EMB MFG Inc.**

4144 Boomer Line  
St. Clements, Ontario  
Canada N0B 2M0  
Phone: 1-877-695-9283  
Fax: 519-699-4146  
[www.embmfg.com](http://www.embmfg.com)