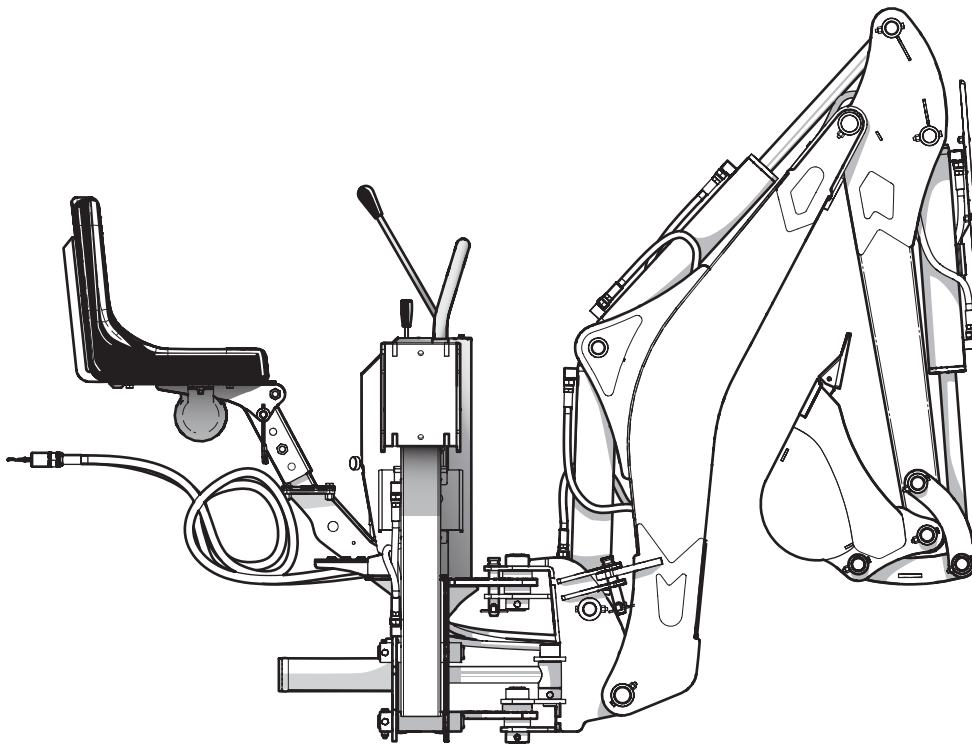


# PARTS MANUAL

---

Serial Number 3720773 & up

## GX720 Backhoe



## Foreword

This Wallenstein parts manual is prepared to assist customers in ordering quality OEM replacement parts.

Regular maintenance combined with replacing old, worn or broken parts with the correct OEM parts is essential in prolonging the life of your Wallenstein product. Refer to this manual to identify replacement parts.

To order parts, contact your Wallenstein dealer or distributor. Have the product model and serial number handy.

If your dealer is no longer available, please go to our website: <http://wallensteinequipment.com> and click on the [Dealer Locator](#) to find the nearest dealer.

All information contained in this parts manual is current as per the revision date at the bottom of the page. Wallenstein reserves the right to change product specifications at any time without notice.

If your product specifications differ from those contained in this manual, contact Wallenstein for current information.

Reproduction of information in this parts manual is prohibited without prior written permission from Wallenstein Equipment Inc.

Wallenstein Equipment Inc. • © 2021

## WARNING!

**Refer to the operators manual for safe operation and maintenance.**

**Maintenance should be performed by trained personnel only.**

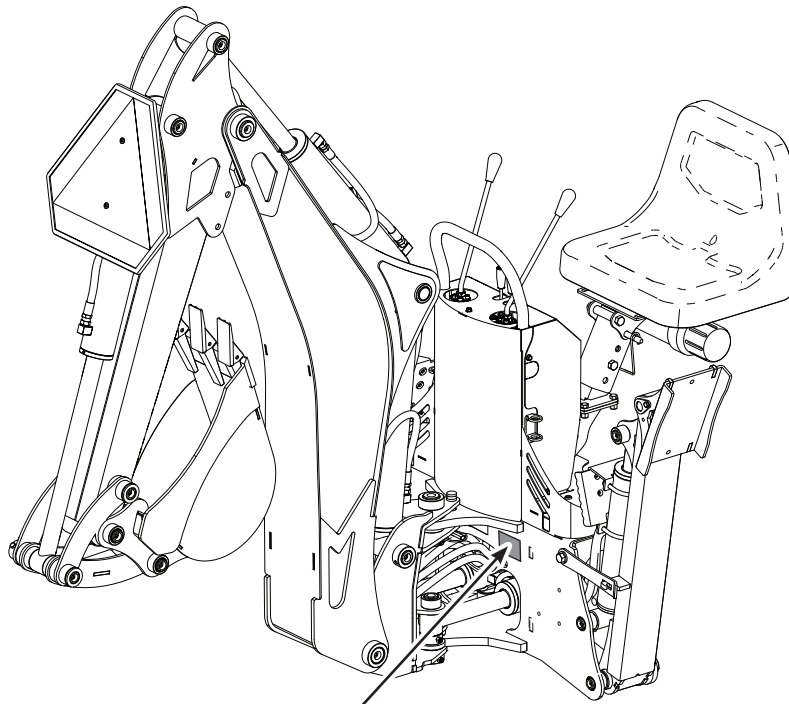
## Serial Number Location

Always provide the model and serial number of your Wallenstein product when ordering parts or requesting service or other information. This information is found on the product information plate as shown below.

**Record your product information here for future reference.**

**Model** \_\_\_\_\_

**Serial Number** \_\_\_\_\_



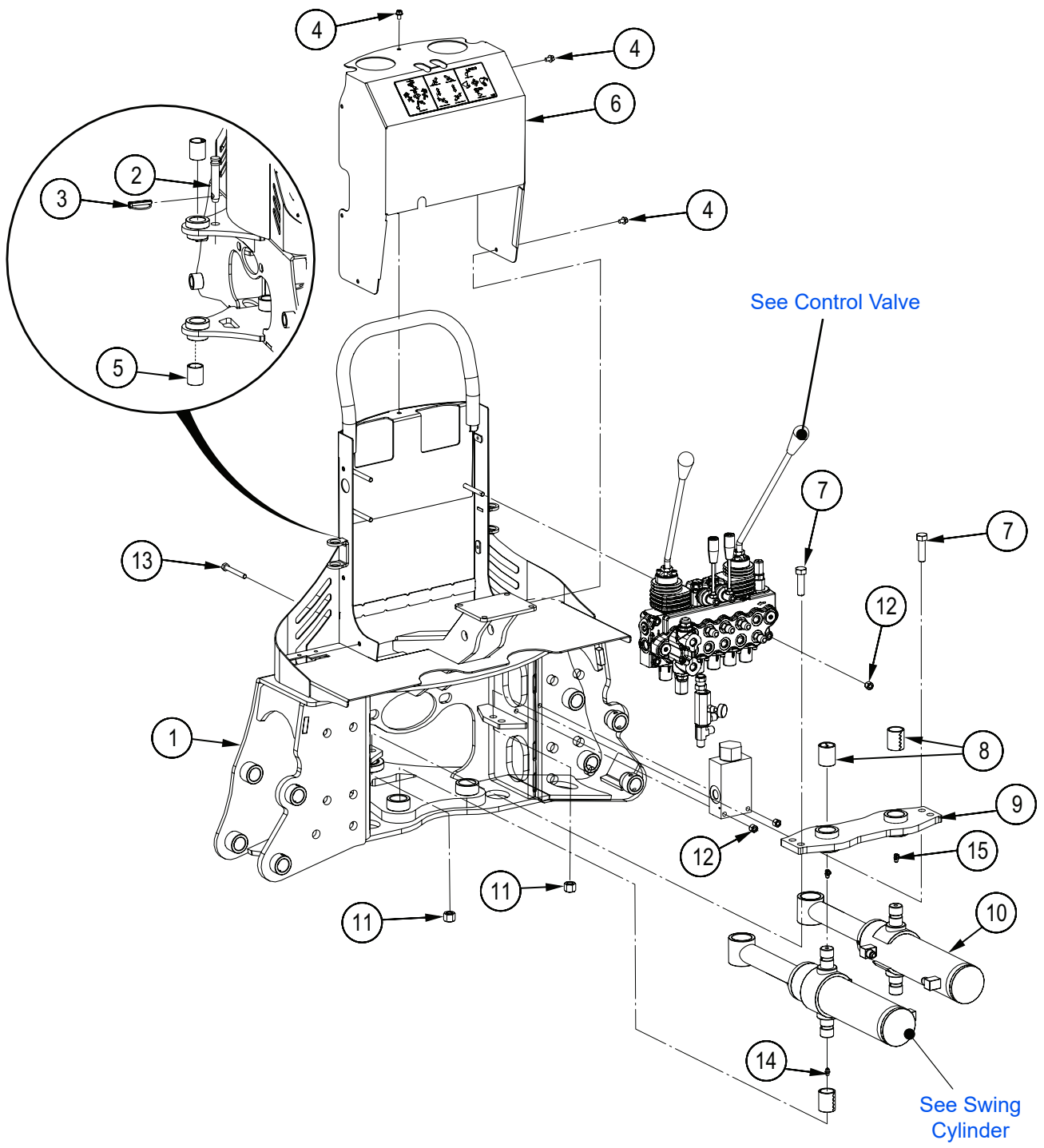
**Model and Serial  
Number Location**

[www.wallensteinequipment.com](http://www.wallensteinequipment.com)

## Contents

<b>Main Parts</b> .....	<b>4</b>
<b>Top Link Assembly Serial Number 37201106 and Up</b> .....	<b>5</b>
<b>Stabilizer Leg Assembly</b> .....	<b>6</b>
<b>Main Boom Assembly</b> .....	<b>7</b>
<b>Dipper Boom Assembly</b> .....	<b>8</b>
<b>Bucket and Linkage Assembly</b> .....	<b>9</b>
<b>Seat Assembly</b> .....	<b>10</b>
<b>Swing Cylinder</b> .....	<b>11</b>
<b>Stabilizer Cylinder</b> .....	<b>12</b>
<b>Main Boom Cylinder</b> .....	<b>13</b>
<b>Dipper Boom Cylinder</b> .....	<b>14</b>
<b>Bucket Cylinder Assembly</b> .....	<b>15</b>
<b>Valve Assembly</b> .....	<b>16</b>
<b>Flow Control Valve S/N 37201270 and Up</b> .....	<b>17</b>
<b>Valve Service Parts</b> .....	<b>18</b>
<b>Hydraulic Circuit</b> .....	<b>19</b>
<b>Hydraulic Plumbing Diagram</b> .....	<b>20</b>
<b>BT7270 Closed Center Kit – Option</b> .....	<b>21</b>
<b>Hydraulic Thumb Plumbing Diagram (Open Center Circuit)</b> .....	<b>22</b>
<b>Hydraulic Thumb Plumbing Diagram (Closed Center Circuit)</b> .....	<b>23</b>
<b>Decal Layout</b> .....	<b>24</b>
<b>Accessories</b> .....	<b>26</b>
<b>Common Bolt Torque Values</b> .....	<b>27</b>
<b>Hydraulic Fitting Torque Values</b> .....	<b>28</b>

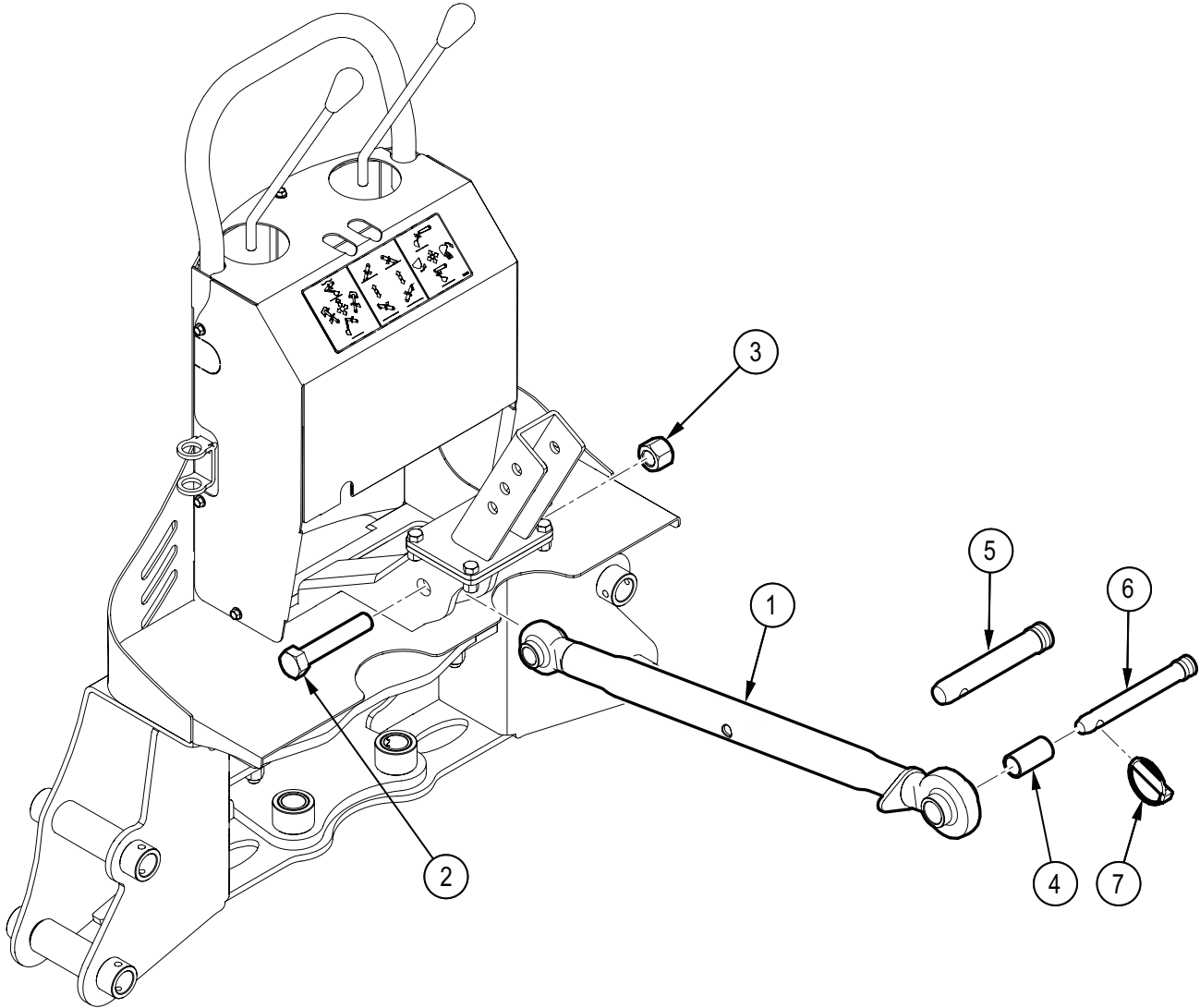
**Main Parts**



Item No.	Part No.	Description	Qty
1	3012W250	Base, Main Frame	1
2	Z11121	Toplink Pin, 3/4" x 2-3/4"	1
3	Z12140	Lynch Pin, 7/16"	1
4	Z76113	Flange Bolt, 1/4NC x 3/8"	7
5	Z27241	Bushing 1-1/2 x 1-3/4	2
6	3011L204	Shield, Control Valve	1
7	Z71517	Hex Bolt, 1/2NC x 1-3/4"	4
8	Z27221	Bushing 1 ID x 1-1/4 OD x 1-1/2 long x 1/8 wall	4

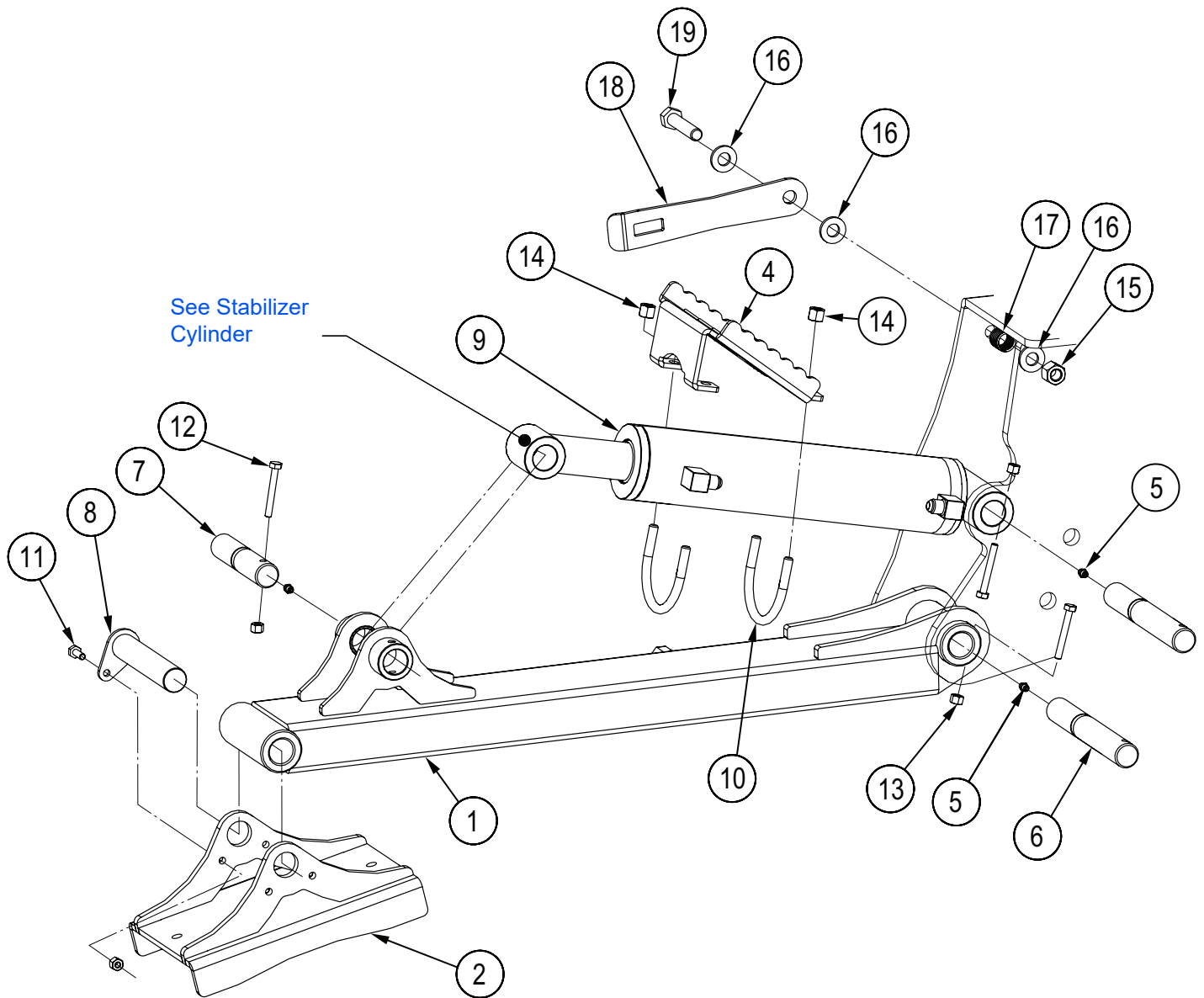
Item No.	Part No.	Description	Qty
9	3012W252	Bar, Swing Cylinder Retaining	1
10	3012C203	Cylinder, 2-1/2 x 7-3/4 Stroke	2
11	Z72251	Hex Lock Nut, 1/2NC	4
12	Z72221	Hex Lock Nut, 5/16NC	5
13	Z71225	Hex Bolt, 5/16NC x 2-1/2"	2
14	Z29202	Grease Zerk 1/4NF	2
15	Z29203	Grease Zerk 90, 1/4NF	2

## Top Link Assembly Serial Number 37201106 and Up



Item No.	Part No.	Description	Qty
1	Z11507	Toplink, Cat 1 & 2 x 24" x 34"	1
2	Z71740	Hex Bolt, 3/4NC x 4"	1
3	Z72271	Hex Lock Nut, 3/4NC	1
4	3041M201	Bushing Drawbar Tab	1
5	Z11142	Toplink Pin, 1" x 4-5/16"	1
6	Z11123	Toplink Pin, 3/4" x 4-3/4"	1
7	Z12140	Lynch Pin, 7/16"	1

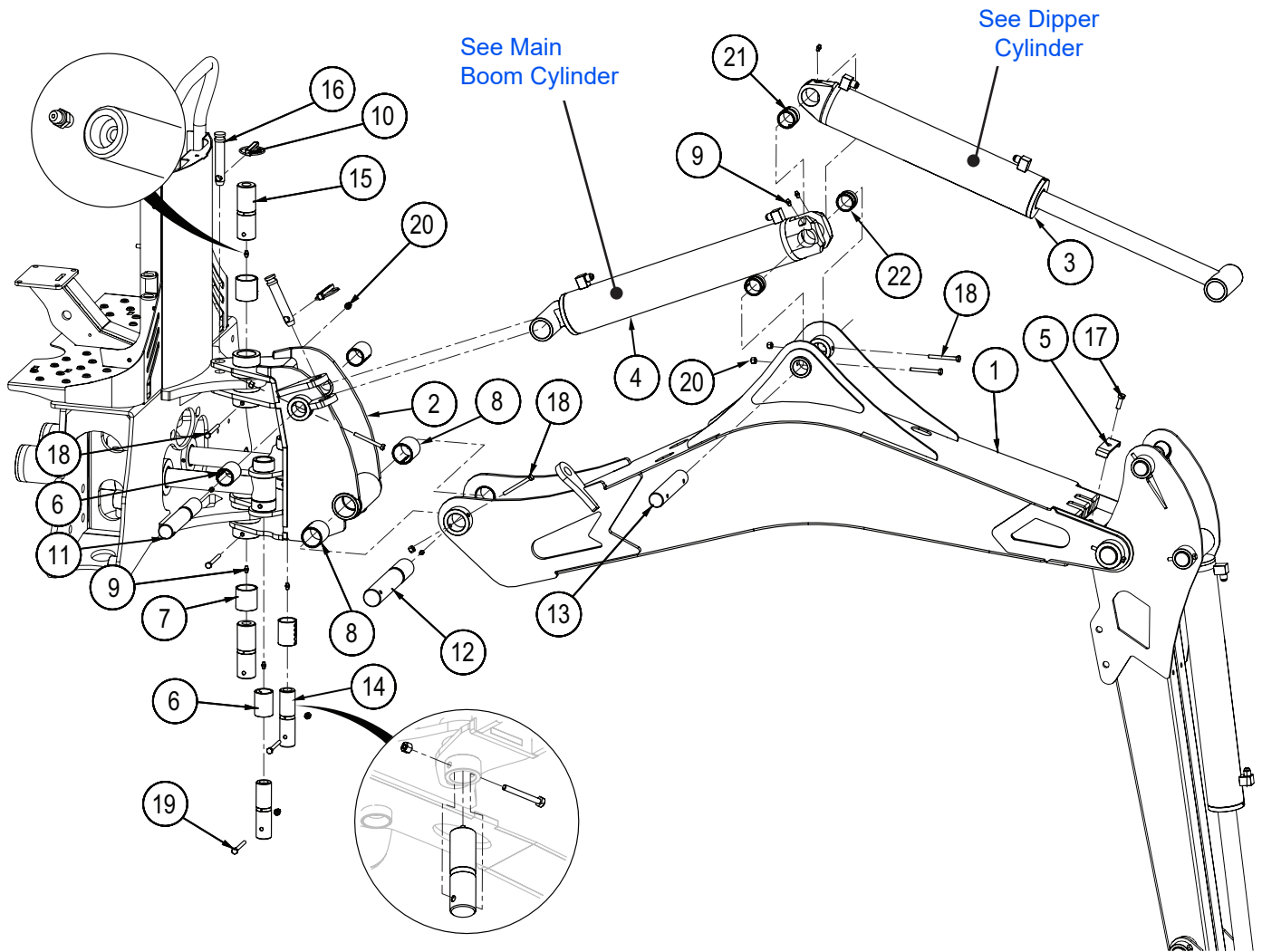
**Stabilizer Leg Assembly**



Left Stabilizer is shown, left and right assemblies are the same

Item No.	Part No.	Description	Qty	Item No.	Part No.	Description	Qty
1	3012W251	LH Stabilizer	1	11	Z71107	Hex Bolt, 1/4NC x 3/4"	2
2	3012W207	Foot Stabilizer	2	12	Z71120	Hex Bolt, 1/4NC x 2"	6
3	3012W251H	RH Stabilizer - Not Shown	1	13	Z72211	Hex Lock Nut, 1/4NC	8
4	3012L278	Step, Stabilizer	2	14	Z72231	Hex Lock Nut, 3/8NC	8
5	Z29202	Grease Zerk 1/4NF	6	15	Z72251	Hex Lock Nut, 1/2NC	2
6	3012M206	Pin, Linkage 1"	4	16	Z73151	SAE Washer, 1/2"	6
7	3012M214	Pin, Linkage 1"	2	17	Z32302	Comp Spring, 0.845" OD x 1-1/4" x 0.080"	2
8	3012W218	Pin Stabilizer	2	18	3012L279	Plate, Stabilizer Lock	2
9	3012C204	Cylinder, 2-1/2 x 9-1/2 Stroke	2	19	Z71525	Hex Bolt, 1/2NC x 2-1/2"	2
10	3012S204	U-Bolt, Stab Step	4				

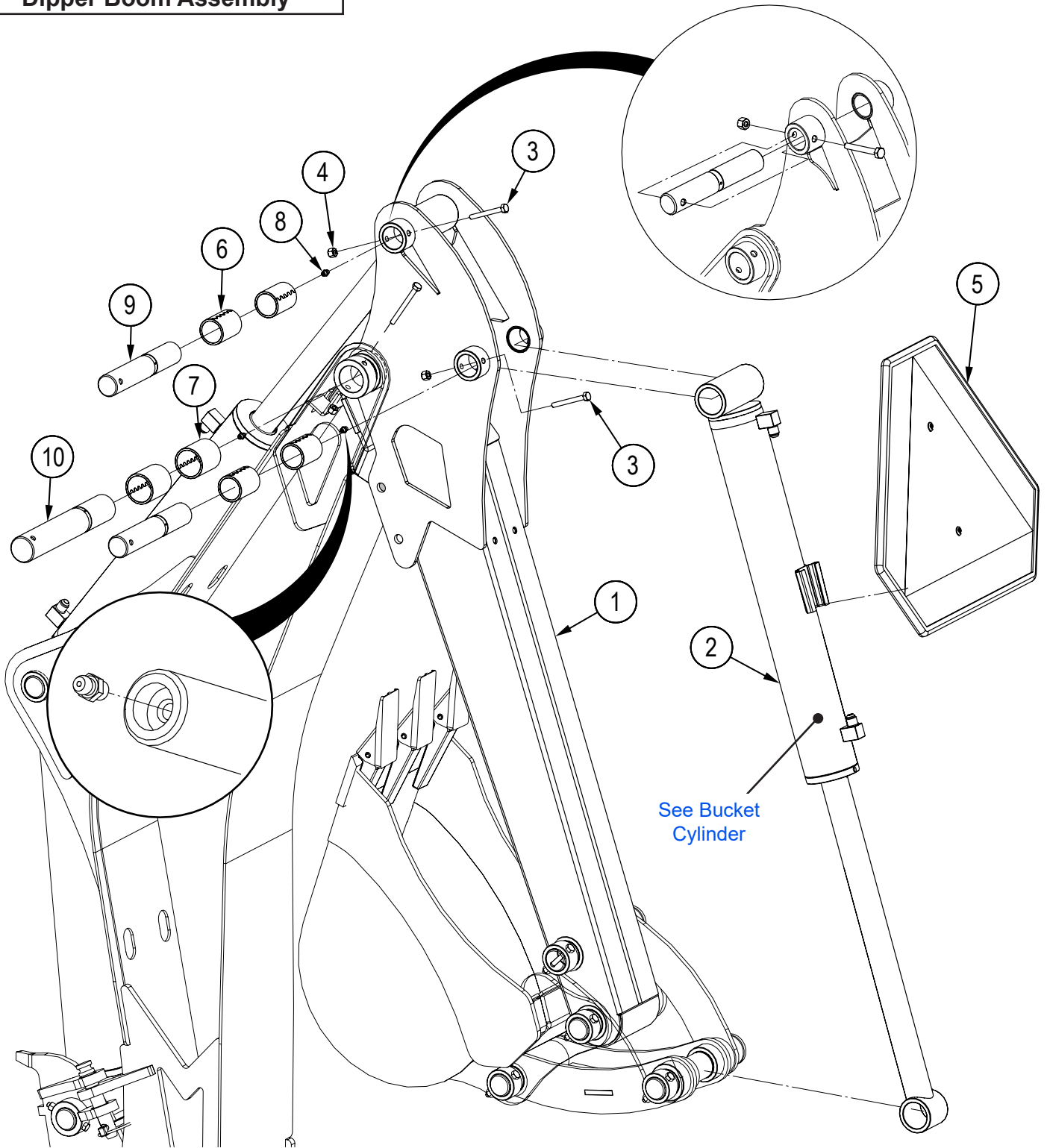
**Main Boom Assembly**



Item No.	Part No.	Description	Qty
1	3012W204	Main Boom	1
2	3012W205	Swing Tower	1
3	3012C205	Cylinder, 3 x 14-3/4 Stroke	1
4	3012C206	Cylinder, 3 x 16-3/4 Stroke	1
5	3011L176	Clamp, Two Hose	1
6	Z27232	Connex Bushing 1-1/4 x 2	4
7	Z27241	Connex Bushing 1-1/2 x 1-3/4	2
8	Z27242	Connex Bushing 1-1/2 x 2	2
9	Z29202	Grease Zerk 1/4NF	9
10	Z12140	Lynch Pin, 7/16"	2
11	3012M236	Pin, Linkage 1-1/4	2
12	3012M213	Pin, Linkage 1-1/2	2

Item No.	Part No.	Description	Qty
13	3012M215	Pin, Linkage 1-1/4	1
14	3012M220	Pin, Linkage 1-1/4	2
15	3012M233	Pin, Swing Cylinder	2
16	Z11121	Toplink Pin, 3/4" x 2-3/4"	2
17	Z71210	Hex Bolt, 5/16NC x 1"	1
18	Z71127	Hex Bolt, 1/4NC x 2-3/4"	3
19	Z71125	Hex Bolt, 1/4NC x 2-1/2"	5
20	Z72211	Hex Lock Nut, 1/4NC	8
21	Z27234	Connex Bushing 1-1/4 x 1-1/4 Grooved	1
22	Z27233	Connex Bushing 1-1/4 x 1 Grooved	2

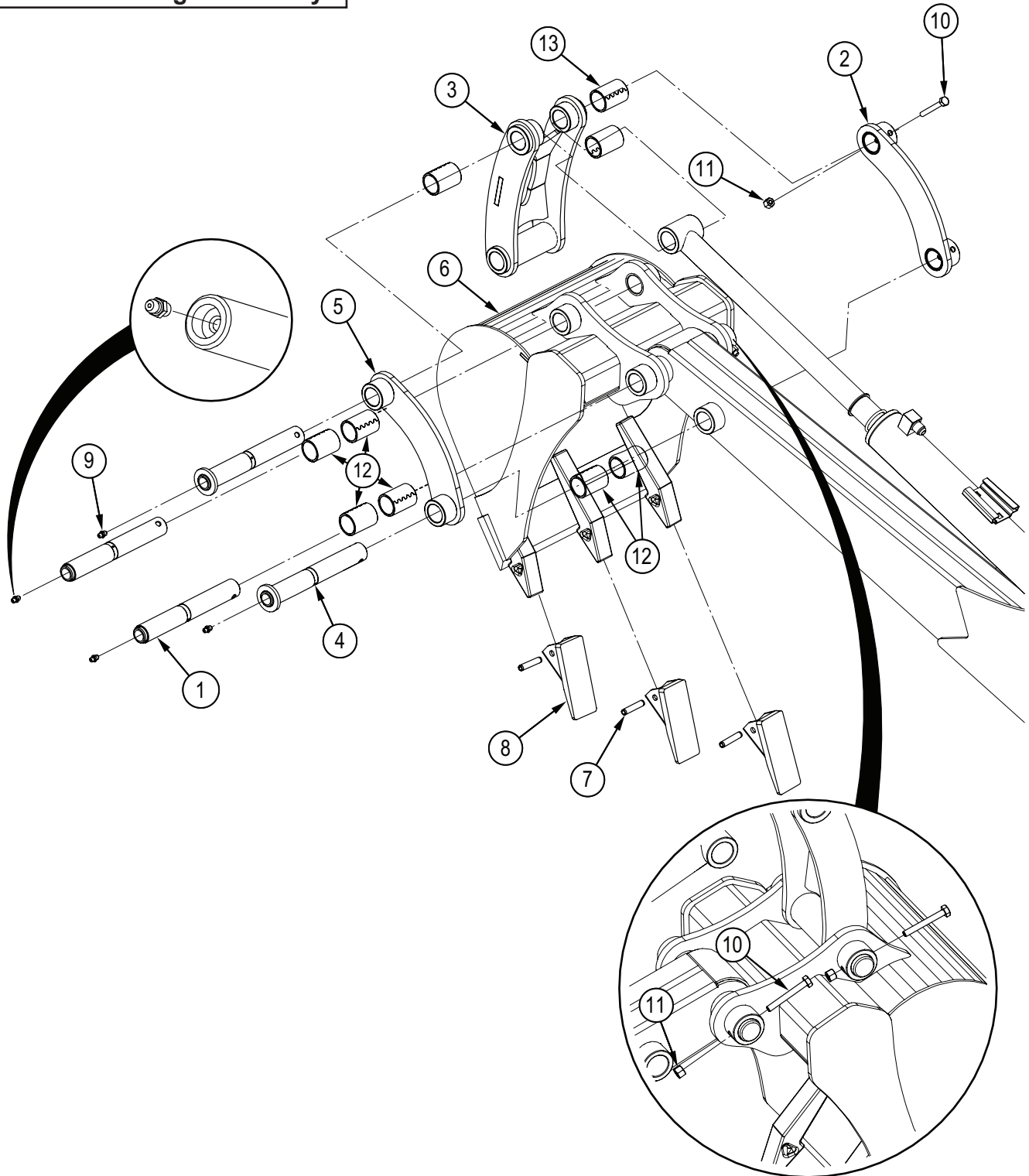
Dipper Boom Assembly



Item No.	Part No.	Description	Qty	Item No.	Part No.	Description	Qty
1	3012W201	Dipper Boom	1	6	Z27232	Connex Bushing 1-1/4 x 2	4
2	3012C207	Cylinder, 2-1/2x14-3/4 Strok	1	7	Z27242	Connex Bushing 1-1/2 x 2	2
3	Z71122	Hex Bolt, 1/4NC x 2-1/4"	2	8	Z29202	Grease Zerk 1/4NF	3
4	Z72211	Hex Lock Nut, 1/4NC	3	9	3012M210	Pin, Linkage 1-1/4 x 7	2
5	Z96605	SMV Sign With Spade, Assembled	1	10	3012M213	Pin, Linkage 1-1/2	1



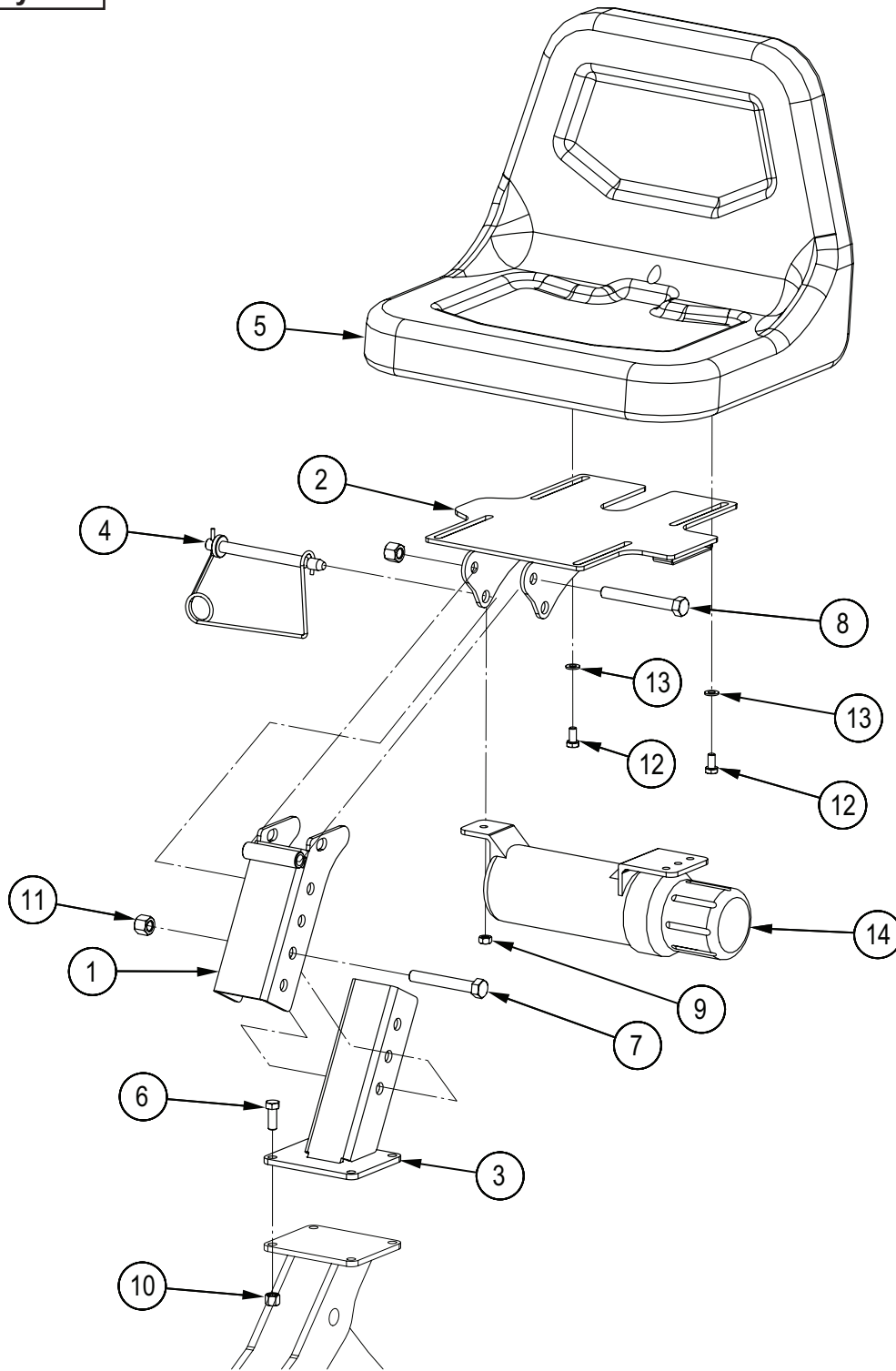
**Bucket and Linkage Assembly**



Item No.	Part No.	Description	Qty
1	3012M209	Pin, Linkage 1-1/4 x 8-3/8	2
2	3012W202	RH Bucket Linkage	1
3	3012W203	Middle Bucket Linkage	1
4	3012W217	Bucket Pin w/ Washer	2
5	3012W220	LH Bucket Linkage	1
6	3082W041	GX720 9" Backhoe Bucket	1
7	Z14181	Roll Pin, 5/16" x 1-1/2"	3

Item No.	Part No.	Description	Qty
8	Z19902	Tooth, Backhoe Pin-on	3
9	Z29202	Grease Zerk 1/4NF	4
10	Z71122	Hex Bolt, 1/4NC x 2-1/4"	4
11	Z72211	Hex Lock Nut, 1/4NC	4
12	Z27232	Connex Bushing 1-1/4 x 2	6
13	Z27231	Connex Bushing 1-1/4 x 1-3/4	3

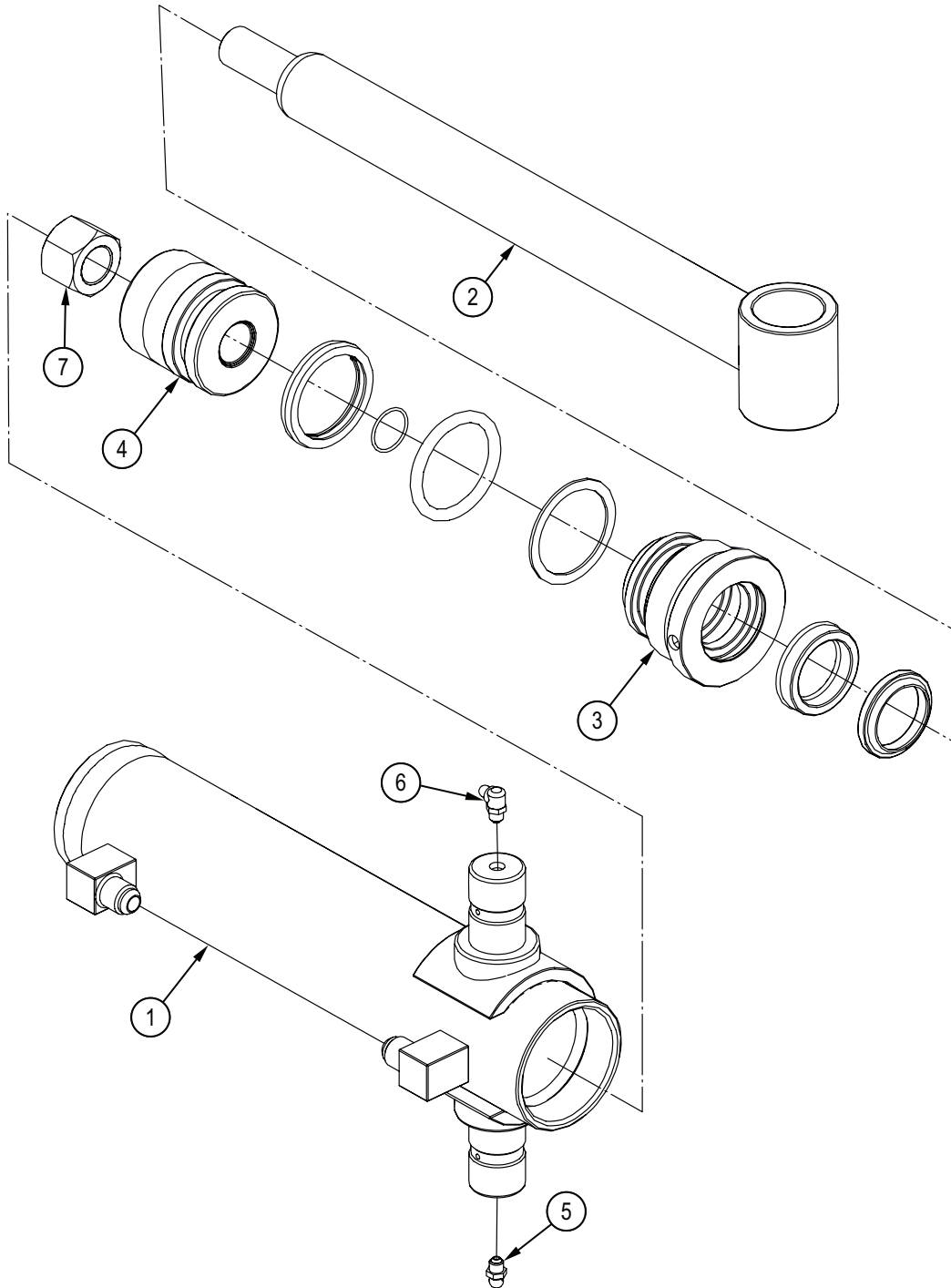
**Seat Assembly**



Item No.	Part No.	Description	Qty
1	3011W112	Mount, Seat	1
2	3011W113	Plate, Seat	1
3	3011W111	Base, Seat	1
4	Z12441	Snap Lock Pin, 1/2" x 4-1/2"	1
5	Z19201	High-Back Backhoe Seat	1
6	Z71310	Hex Bolt, 3/8NC x 1"	4
7	Z71535	Hex Bolt, 1/2NC x 3-1/2"	1

Item No.	Part No.	Description	Qty
8	Z71540	Hex Bolt, 1/2NC x 4"	1
9	Z72121	Hex Nut, 5/16NC	1
10	Z72231	Hex Lock Nut, 3/8NC	4
11	Z72251	Hex Lock Nut, 1/2NC	2
12	Z77152	Hex Bolt, M8x1.25 x 16mm	4
13	Z77352	DIN 125 Washer, M8	4
14	Z96503	Manual Tube, 3-1/2" Short	1

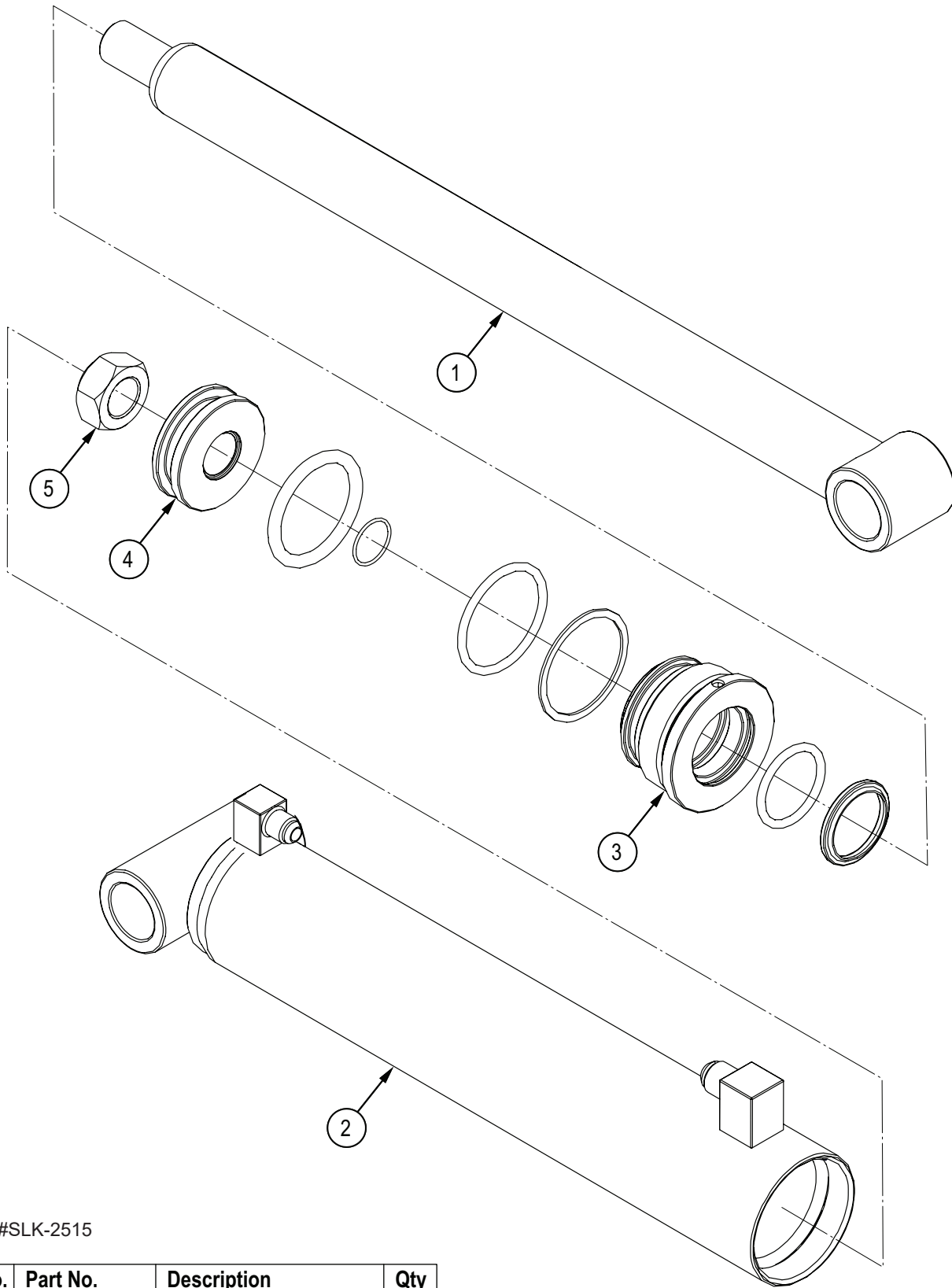
**Swing Cylinder**



Seal Kit #SLK-2515

Item No.	Part No.	Description	Qty
1	3012C2034	Barrel, 2-1/2" Trunnion Mount	1
2	3012C2033	Rod, 1-1/2 x 1	1
3	G250-150S	Gland, 2-1/2" x 1-1/2"	1
4	P100-250CP	Piston, 2-1/2" Bore x Cushion	1
5	Z29202	Grease Zerk 1/4NF	1
6	Z29203	Grease Zerk 90, 1/4NF	1
7	Z72276	Hex Top-Lock Nut, 3/4NF	1

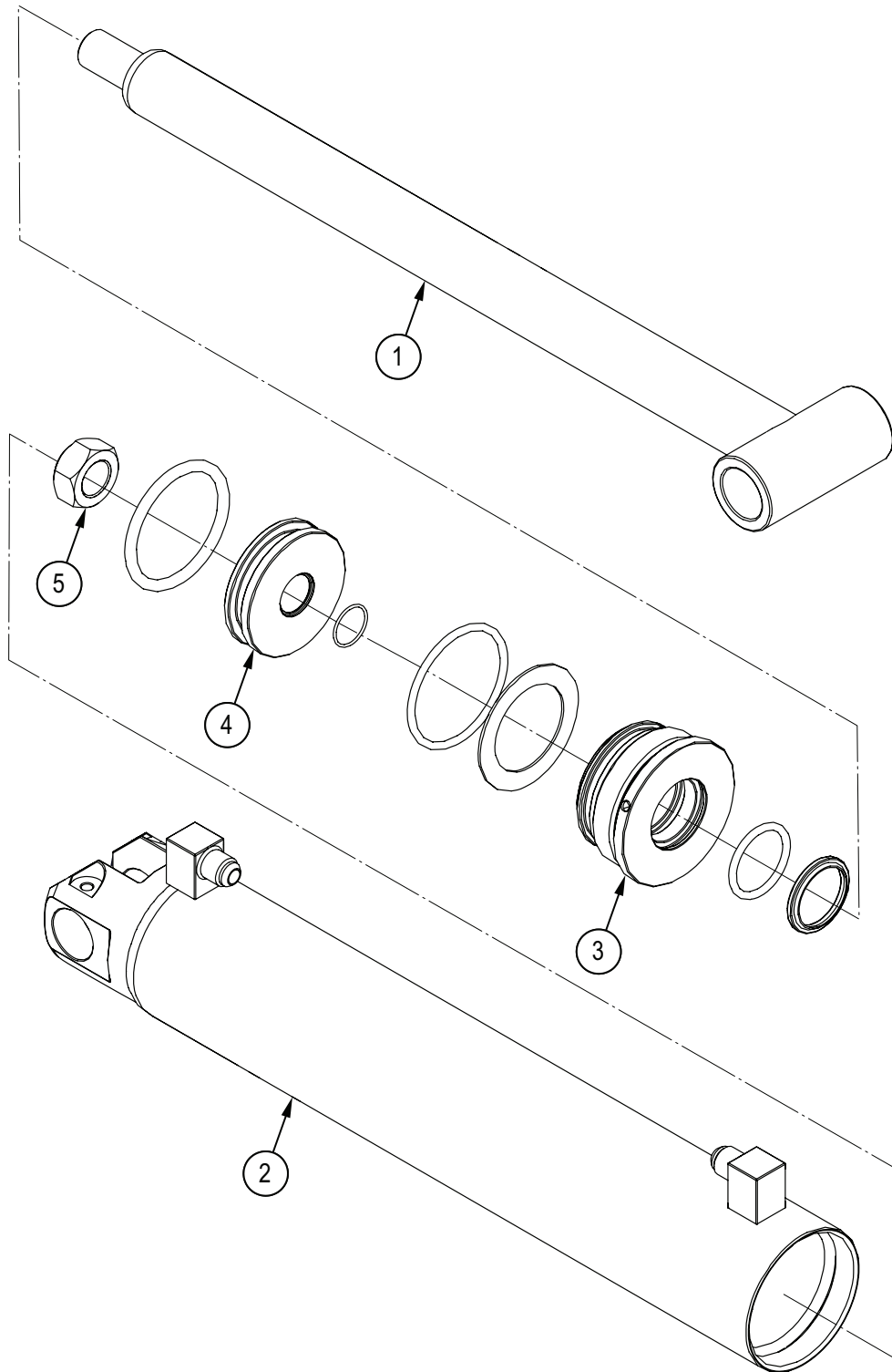
**Stabilizer Cylinder**



Seal Kit #SLK-2515

Item No.	Part No.	Description	Qty
1	3012C2043	Rod, 1-1/2 x 1	1
2	3012C2044	Barrel, 2-1/2" Bore	1
3	G250-150S	Gland, 2-1/2" x 1-1/2"	1
4	P100-250SP	Piston, 2-1/2" Bore	1
5	Z72276	Hex Top-lock Nut, 3/4NF	1

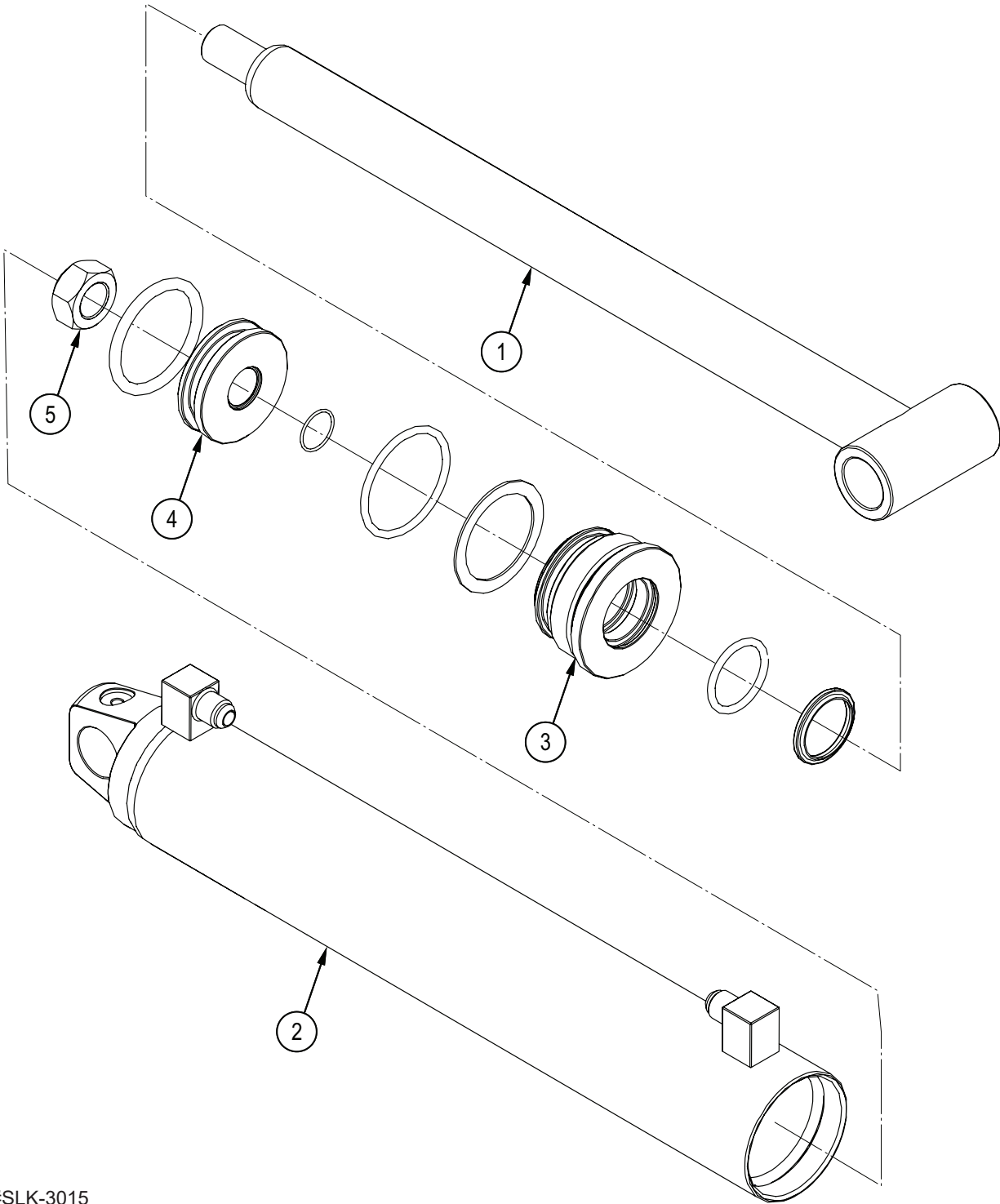
**Main Boom Cylinder**



Seal Kit #SLK-3015

Item No.	Part No.	Description	Qty
1	3012C2063	Rod, 1-1/2" x 1	1
2	3012C2064	Barrel, 3" Clevis Butt	1
3	G300-150S	Gland, 3" x 1-1/2"	1
4	P100-300SP	Piston, 3" Bore	1
5	Z72276	Hex Top-lock Nut, 3/4NF	1

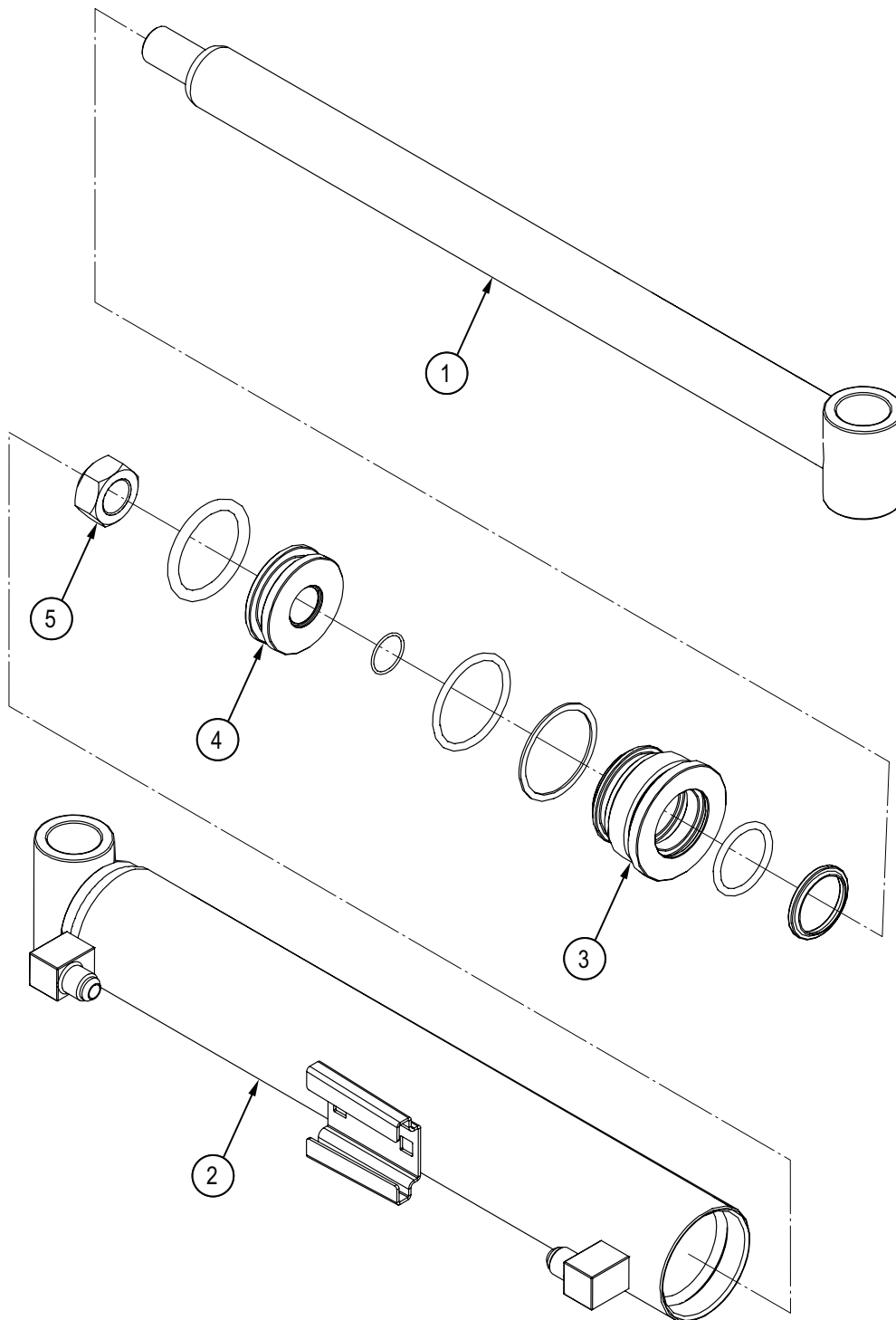
**Dipper Boom Cylinder**



Seal Kit #SLK-3015

Item No.	Part No.	Description	Qty
1	3013C3053	Rod, 1-1/2" x 1NF	1
2	3013C3054	Barrel, 3"	1
3	G300-150S	Gland, 3" x 1-1/2"	1
4	P100-300SP	Piston, 3" Bore	1
5	Z72276	Hex Top-lock Nut, 3/4NF	1

**Bucket Cylinder Assembly**

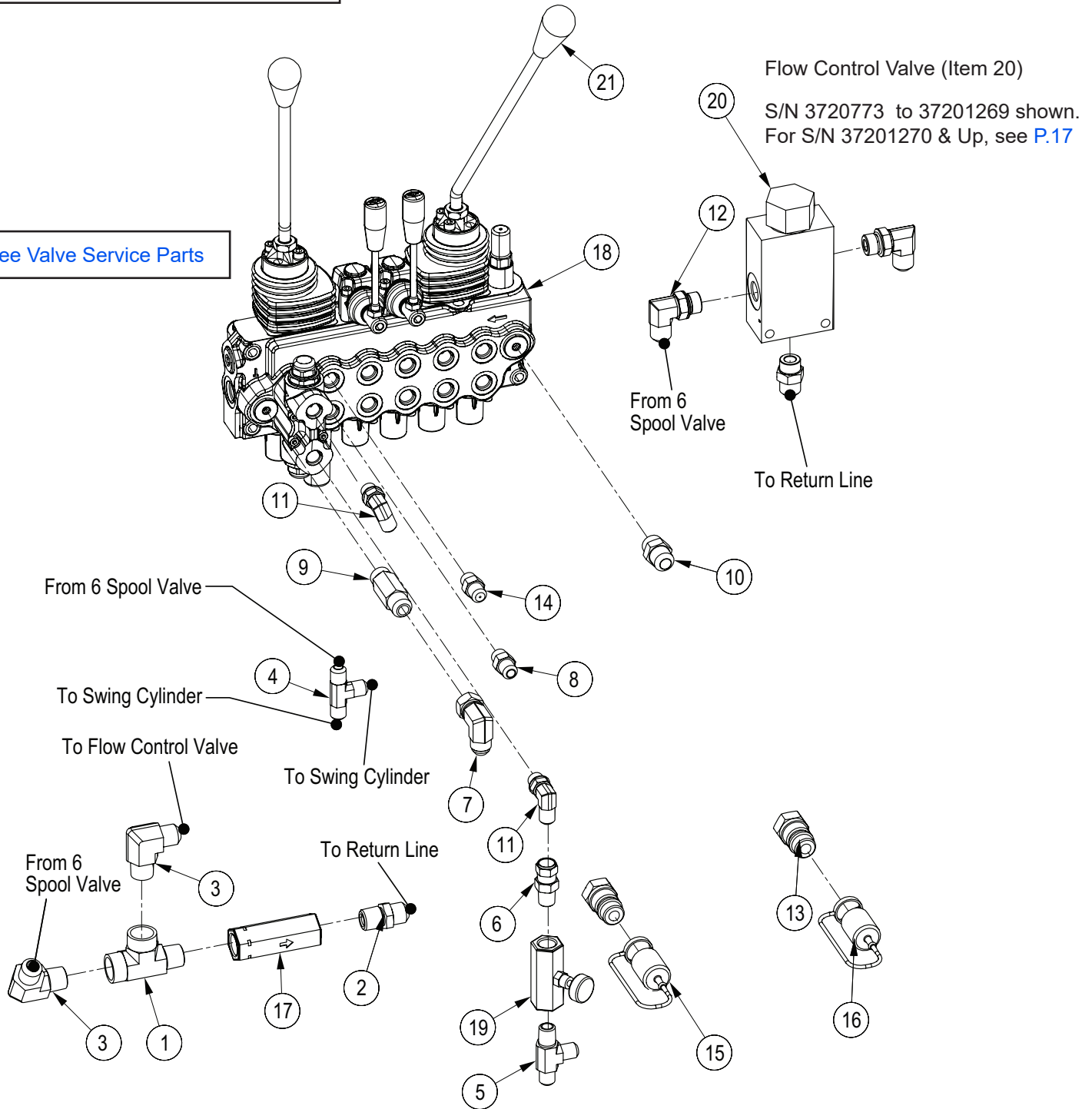


Seal Kit #SLK-2515

Item No.	Part No.	Description	Qty
1	3012C2073	Rod, 1-1/2" x 2	1
2	3012C2074	Barrel, 2-1/2" Bore	1
3	G250-150SP	Gland, 2-1/2" x 1-1/2"	1
4	P100-250SP	Piston, 2-1/2" Bore	1
5	Z72276	Hex Top-lock Nut, 3/4NF	1

**Valve Assembly**

See Valve Service Parts



Item	Part No.	Description	Qty
1	Z51172	Tee, MP x FP x FP 080808	1
2	Z51442	Straight, MJIC x MP 0808	1
3	Z51451	Elbow 90, MJIC x MP 0808	2
4	Z51483	Tee, MJIC x MJIC x MJIC 060606	1
5	Z51486	Tee, MJIC x MP x MJIC 060606	1
6	Z51511	Straight, MP x FJICX 0606	1
7	Z51562	Elbow 90, MJIC x FJICX 0808	1
8	Z51641	Straight, MJIC x MORB 0606	9
9	Z51642	Straight, MJIC x MORB 0808 Long Custom	1
10	Z51643	Straight, MJIC x MORB 0808	2
11	Z51651	Elbow 90, MJIC x MORB 0606	2

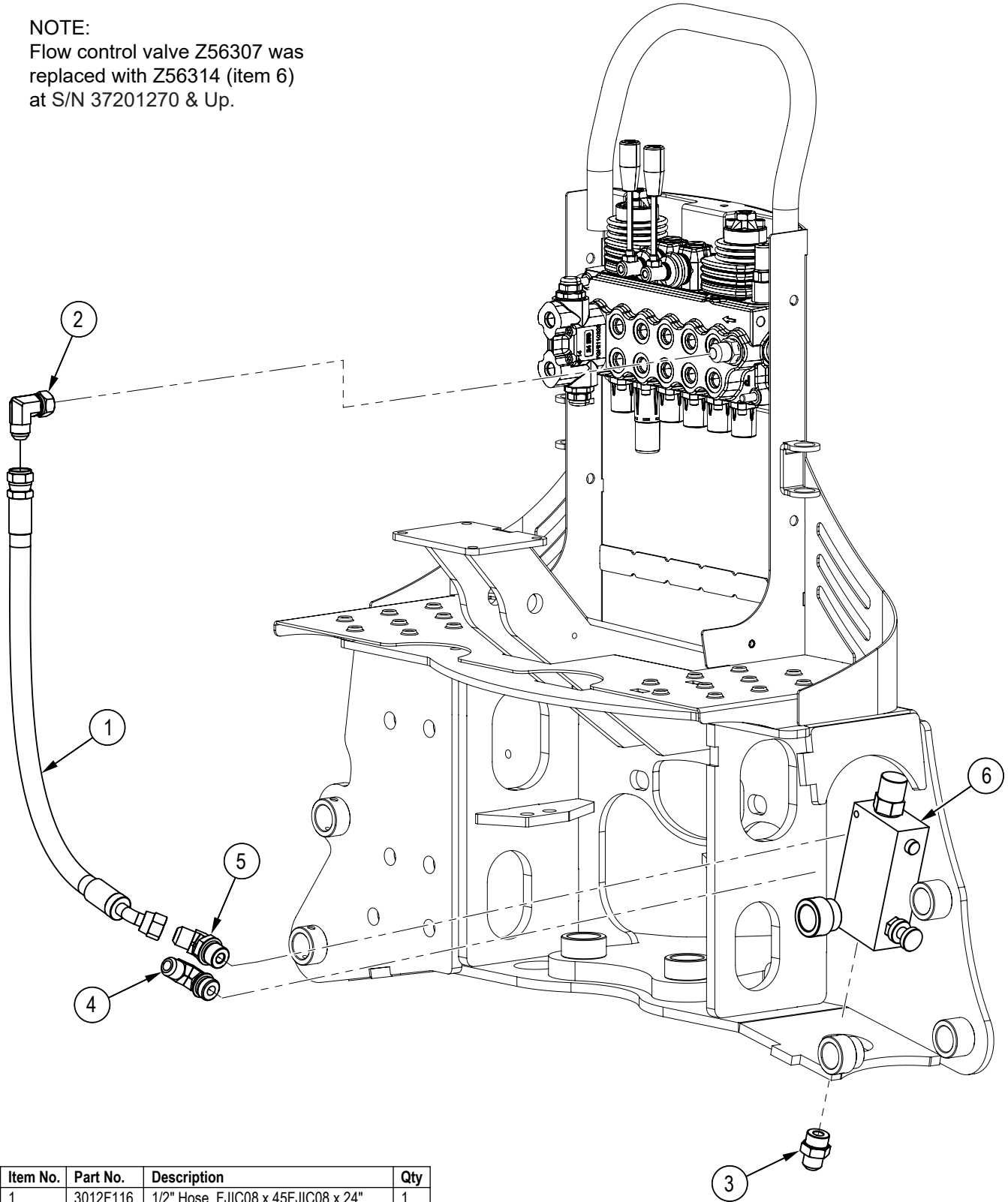
Item	Part No.	Description	Qty
12	Z51653	Elbow 90, MJIC x MORB 0808	2
13	Z51926	Quick Coupler, FP08 x M ISO 7241-1	2
14	Z51928	Straight, MJIC x MORB 0606 x 0.062" Orifice	1
15	Z52831	Nipple Cap, ISO 7241-1 x Red	1
16	Z52832	Nipple Cap, ISO 7241-1 x Black	1
17	Z56102	Check Valve, FP08 x 0PSI	1
18	Z56202	Six Spool Valve, VC x 12GPM	1
19	Z56301	Flow Control, Needle x 0-9GPM	1
20	Z56307	Flow Control, 3 Port x 7GPM	1
21	Z56910	Backhoe Lever Bent - 12"	2



## Flow Control Valve S/N 37201270 and Up

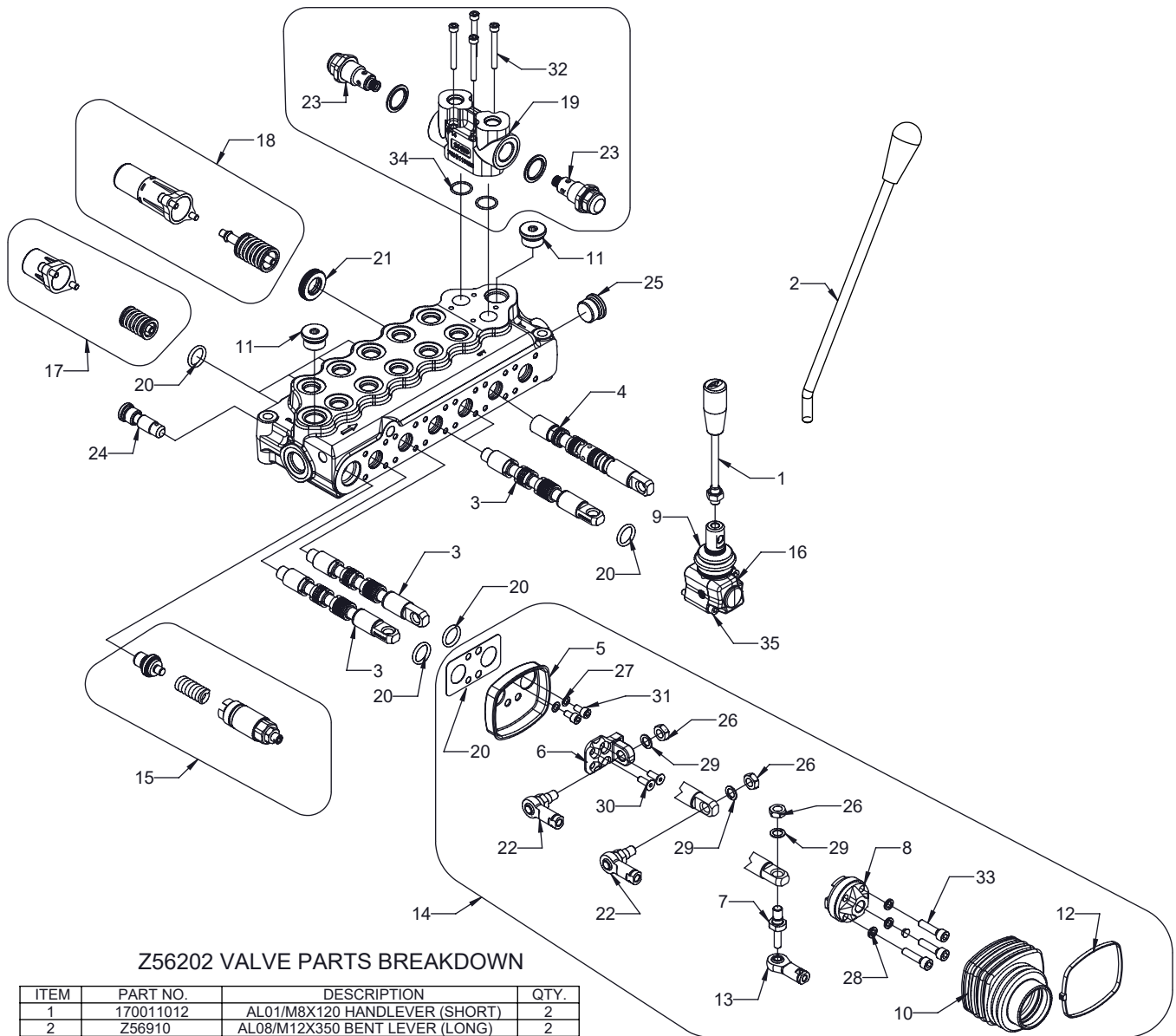
## NOTE:

Flow control valve Z56307 was replaced with Z56314 (item 6) at S/N 37201270 & Up.



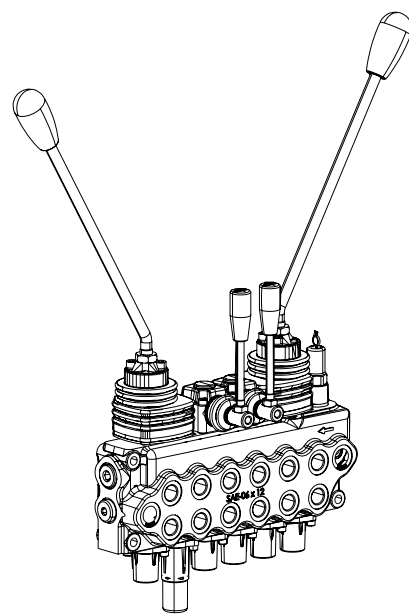
Item No.	Part No.	Description	Qty
1	3012F116	1/2" Hose, FJIC08 x 45FJIC08 x 24"	1
2	Z51562	Elbow 90, MJIC x FJICX 0808	1
3	Z51647	Straight, MJIC x MORB 0810	1
4	Z51658	Elbow 90, MJIC x MORB 0810	1
5	Z51663	Elbow 45, MJIC x MORB 0810	1
6	Z56314	Flow Control, 3 Port x 7GPM	1

Valve Service Parts

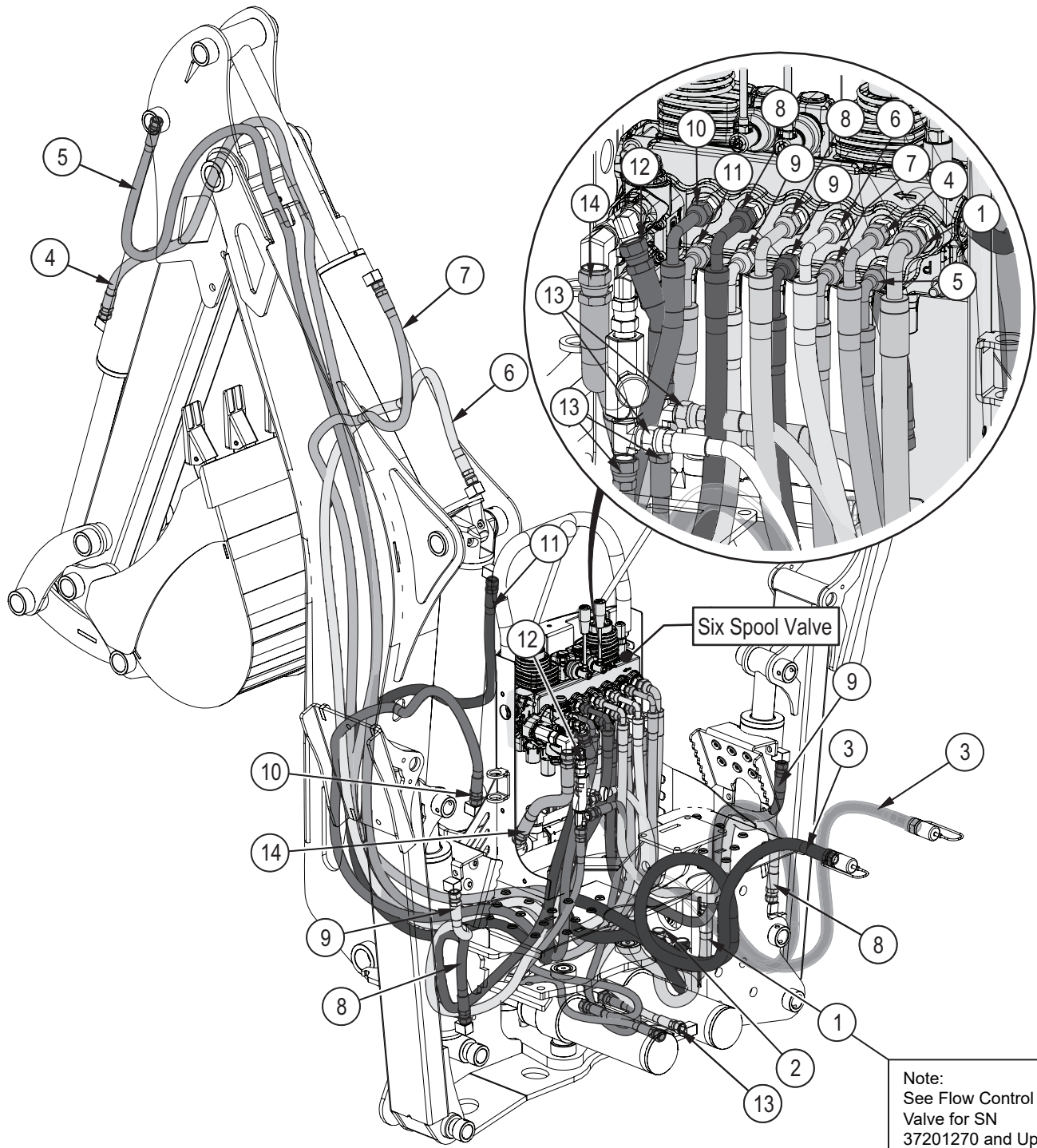


Z56202 VALVE PARTS BREAKDOWN

ITEM	PART NO.	DESCRIPTION	QTY.
1	170011012	AL01/M8X120 HANDLEVER (SHORT)	2
2	Z56910	AL08/M12X350 BENT LEVER (LONG)	2
3	3CU1210133	TIGHT FIT SPOOL	4
4	3CU1245620	FLOAT SPOOL	1
5	3FLA125130	LCB5 FLANGE	2
6	3FUL220101	LCB5 FULCRUM	2
7	3PER515415	LCB5 SPOOL PIN	2
8	3POR340241	LCB5 ADAPTER HANDLE	2
9	3SOF136240	L5 RUBBER BOOT ONLY	2
10	3SOF200701	LCB5 RUBBER BOOT	2
11	3XTAP822150	PLUG SAE8	2
12	4ACC210	TIE STRAP	2
13	4ART706020	LCB6 TUTHILL	2
14	5CLO206100	LCB6 COMPLETE JOYSTICK KIT	2
15	5KIT105413	RELIEF VALVE	1
16	5LEV105000	L5 LEVER BOX	2
17	5V08105000	SPRING CENTER KIT	4
18	5V13405020	FLOAT KIT	1
19	602001101	PORT RELIEF BLOCK	1
20	SK SD5/6	VALVE SEAL KIT (12 O-RINGS, 2 GASKETS)	1
21	XANE228061	RING	1
22	XART706020	LCB6 TUTHILL WITH BOLT	4
23	XCAR211113	PORT RELIEF CARTRIDGE	2
24	XKIT005000	LOAD CHECK	1
25	XTAP623170	OPEN CENTER PLUG	
	AEK SD5	CLOSED CENTER PLUG	OPTION
26	Z77252	JAM NUT M8x1.25	10
27	Z77321	LOCK WASHER M5	8
28	Z77331	LOCK WASHER M6	6
29	Z77354	LOCK WASHER M8	6
30	Z77521	FHCS M5x0.8x14mm	8
31	Z77522	SHCS M5x0.8x10mm	8
32	Z77523	SHCS M5x0.8x45mm	4
33	Z77531	SHCS M6x1.0x25mm	6
34	OR 17.18X1.78	PORT RELIEF O-RING	2
35	Z77524	SHCS M5x0.8x35mm	8



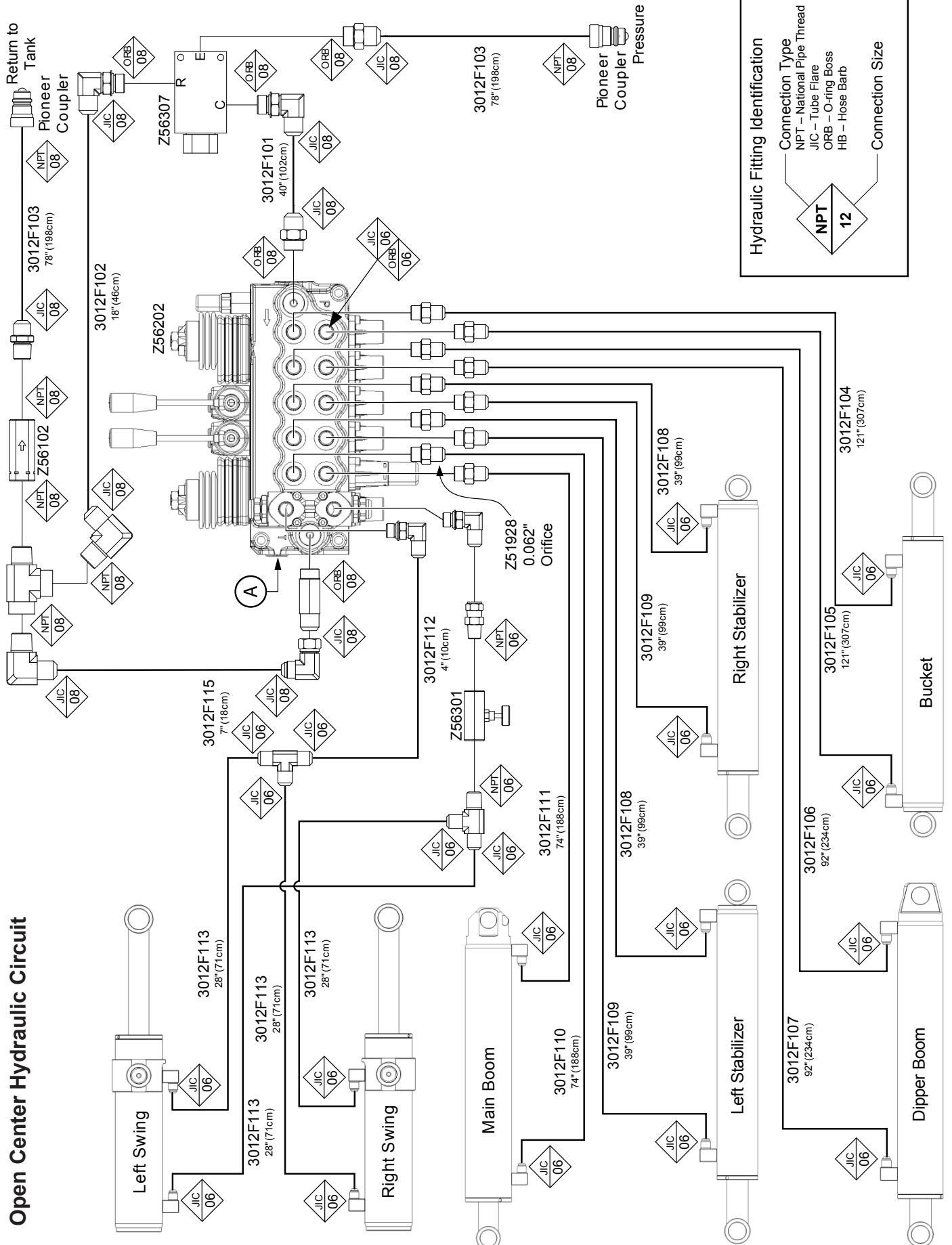
**Hydraulic Circuit**



Note:  
See Flow Control  
Valve for SN  
37201270 and Up

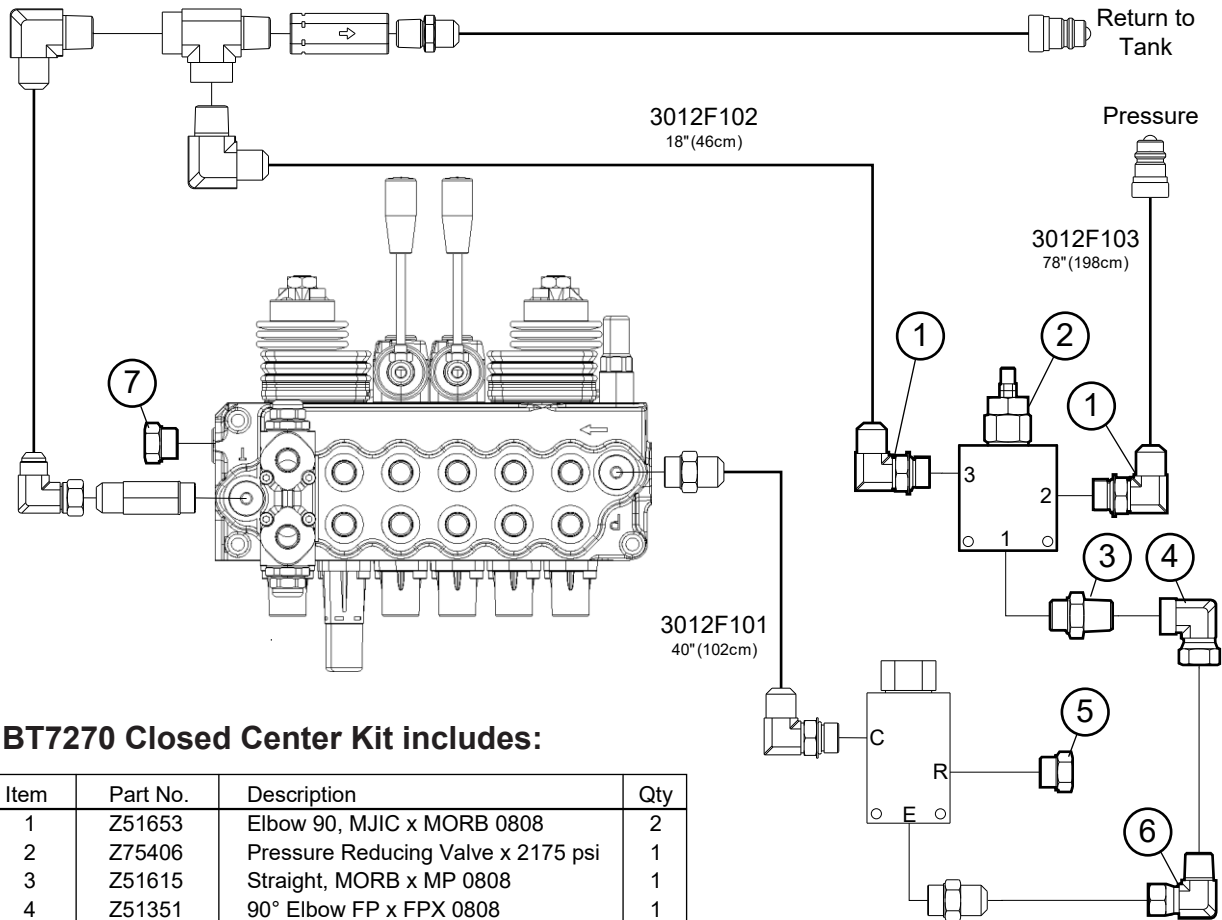
Item No.	Part No.	Description	Qty	Item No.	Part No.	Description	Qty
1	3012F101	1/2" Hose, FJIC08 x 90FJIC08 x 34"	1	8	3012F108	3/8" Hose, FJIC06 x Long 90 FJIC06 x 39"	2
2	3012F102	1/2" Hose, FJIC08 x FJIC08 x 32"	1	9	3012F109	3/8" Hose, FJIC06 x 90FJIC06 x 39"	2
3	3012F103	1/2" Hose, Long 90 FJIC08 x MP08 x 78"	2	10	3012F110	3/8" Hose, FJIC06 x Long 90 FJIC06 x 74"	1
4	3012F104	3/8" Hose, FJIC06 x Long 90 FJIC06 x 121"	1	11	3012F111	3/8" Hose, FJIC06 x 90FJIC06 x 74"	1
5	3012F105	3/8" Hose, FJIC06 x 90FJIC06 x 121"	1	12	3012F112	3/8" Hose, FJIC06 x FJIC06 x 4"	1
6	3012F106	3/8" Hose, FJIC06 x Long 90 FJIC06 x 92"	1	13	3012F113	1/4" Hose, FJIC06 x FJIC06 x 28"	4
7	3012F107	3/8" Hose, FJIC06 x 90FJIC06 x 92"	1	14	3012F115	1/2" Hose, FJIC08 x FJIC08 x 7"	1

# Hydraulic Plumbing Diagram



**BT7270 Closed Center Kit – Option**

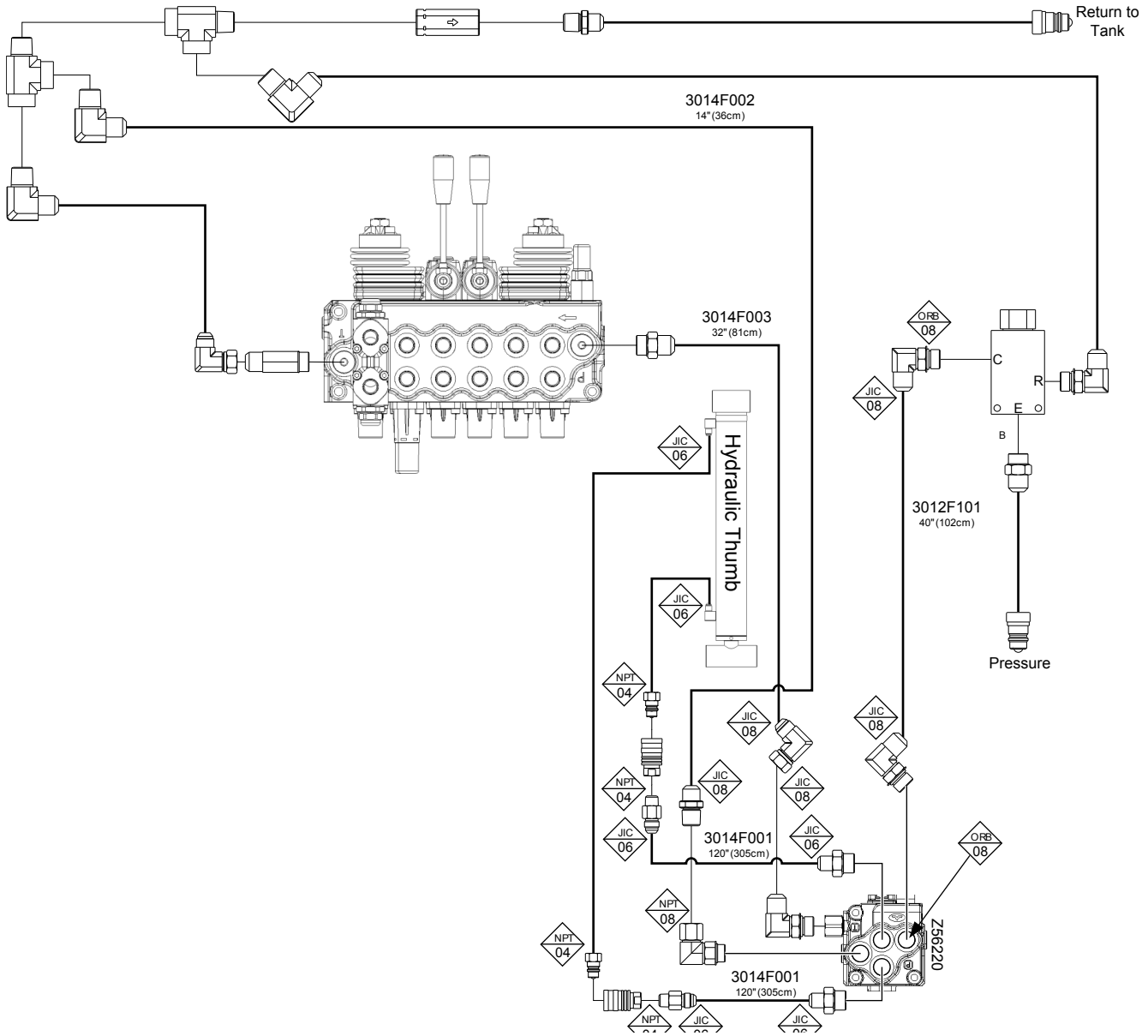
To connect this back hoe to a tractor with a closed-center circuit, kit P/N BT7270 will be required.



**BT7270 Closed Center Kit includes:**

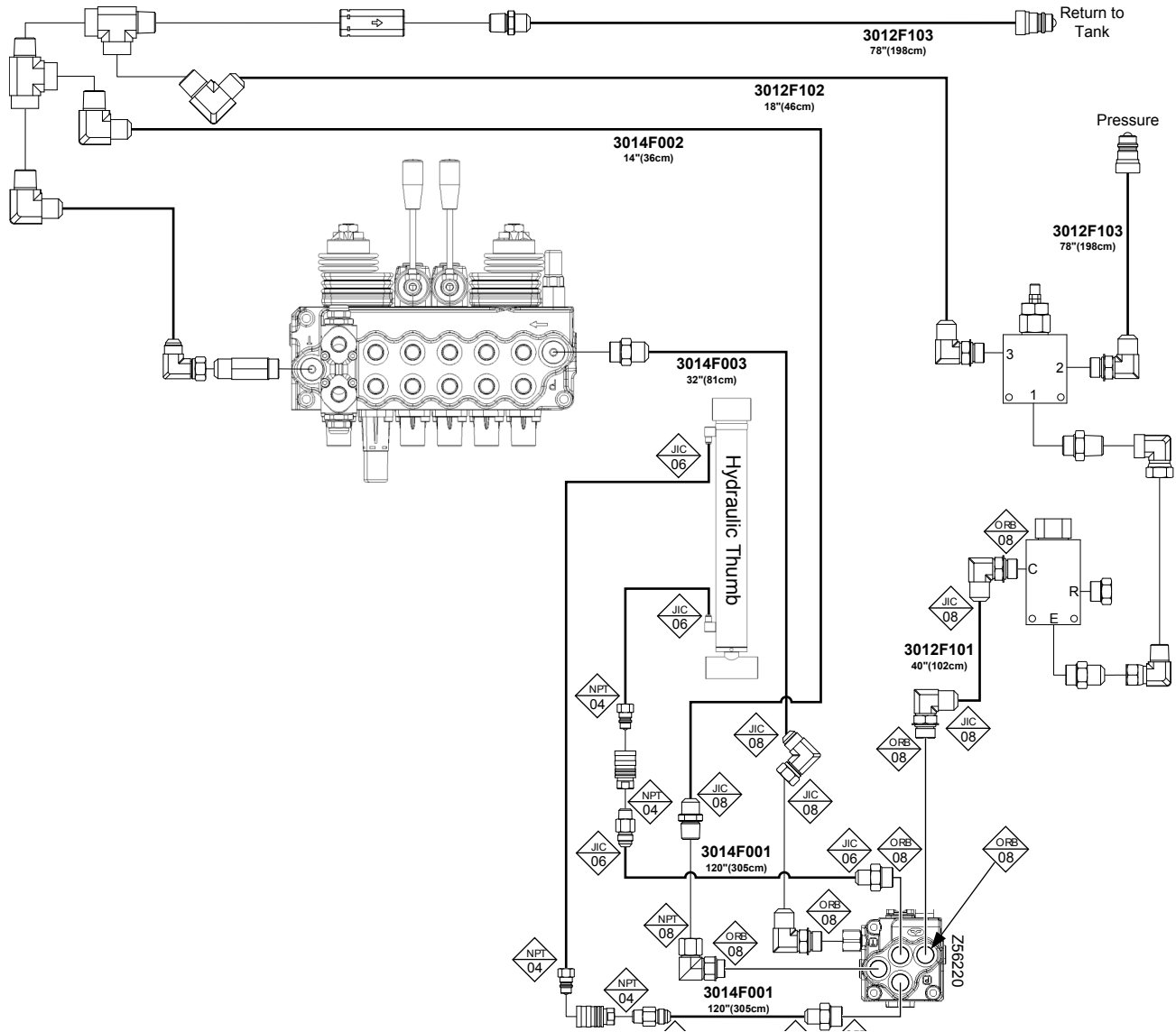
Item	Part No.	Description	Qty
1	Z51653	Elbow 90, MJIC x MORB 0808	2
2	Z75406	Pressure Reducing Valve x 2175 psi	1
3	Z51615	Straight, MORB x MP 0808	1
4	Z51351	90° Elbow FP x FPX 0808	1
5	Z51693	Hex PLug, MORB 0808	1
6	Z51521	90° Elbow MP x FJIC x 0808	1
7	Z56916	Closed Center Plug	1

### Hydraulic Thumb Plumbing Diagram (Open Center Circuit)



### Hydraulic Thumb Plumbing Diagram (Closed Center Circuit)

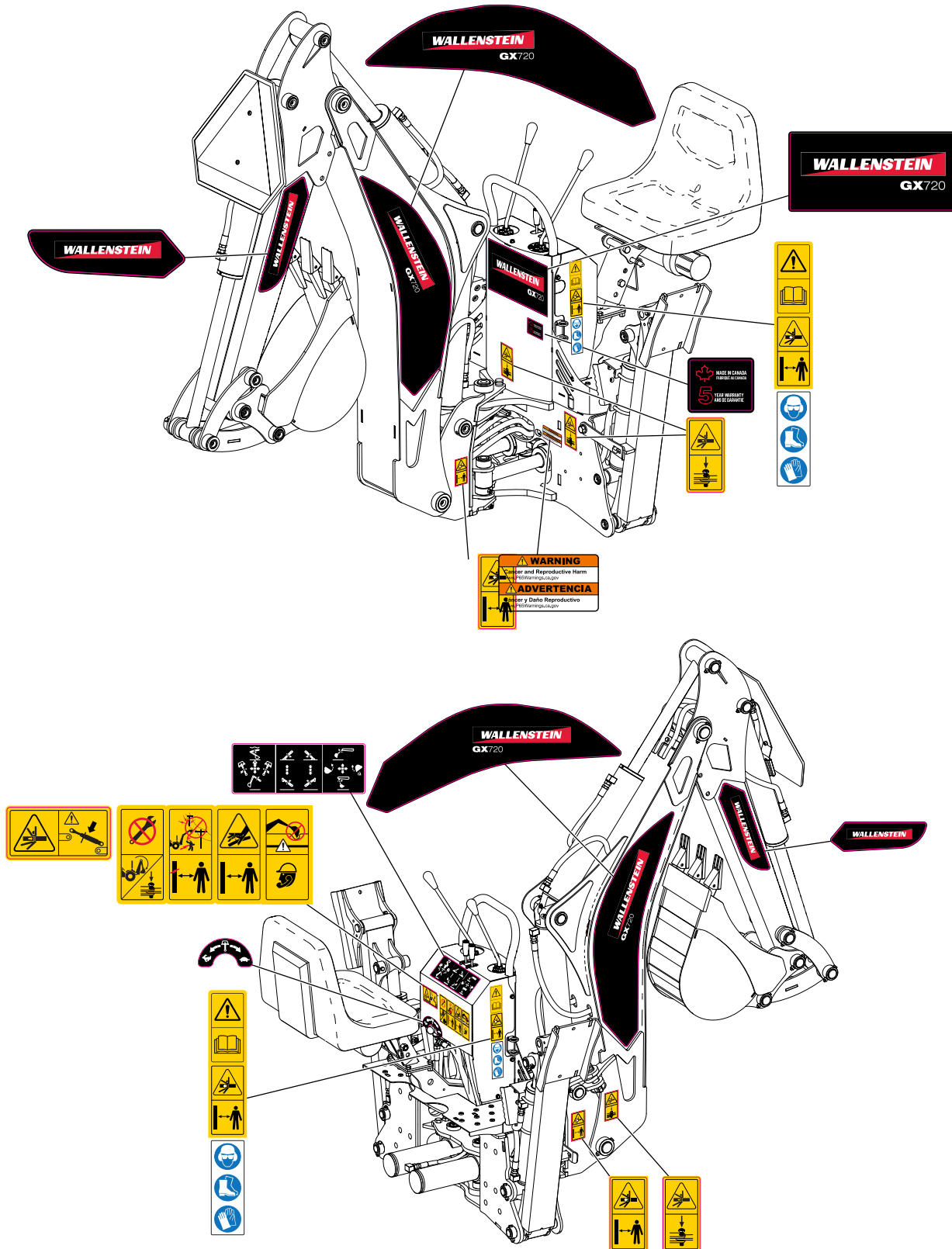
Hydraulic plumbing shown for thumb installed in closed center hydraulic circuit, using BT7270 Closed Center Kit.



### Decal Layout

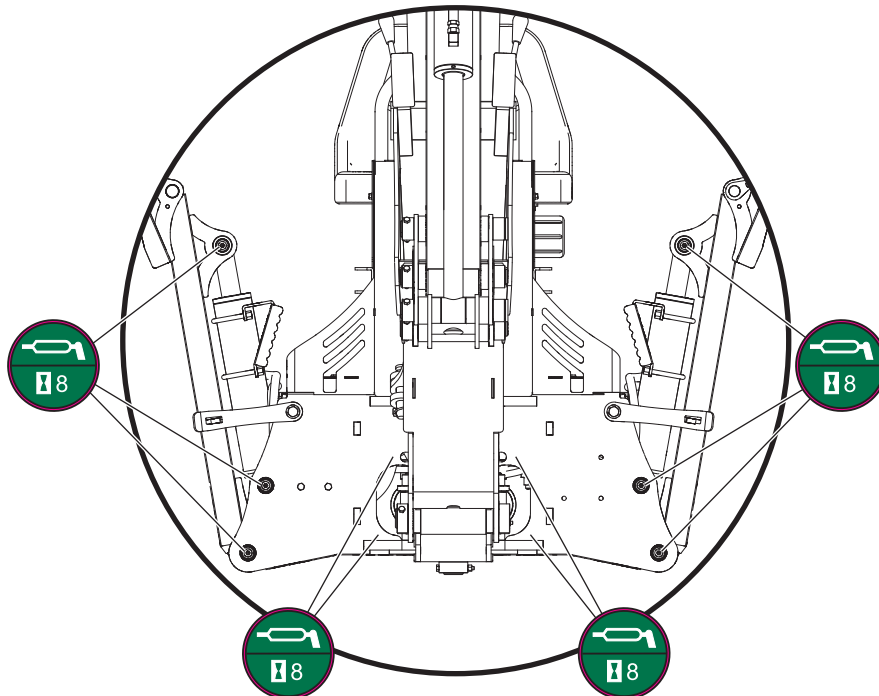
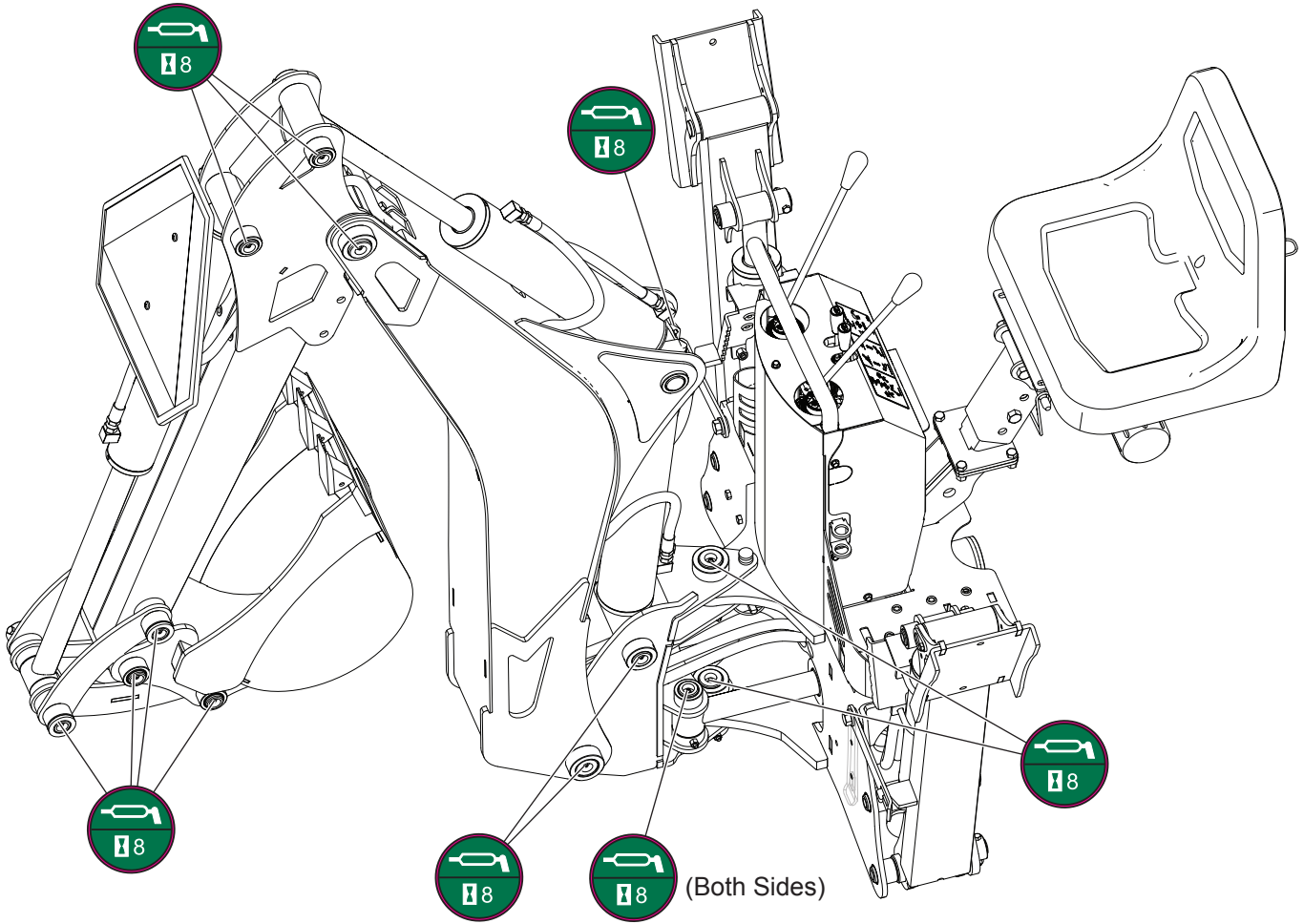
**IMPORTANT!** If parts are replaced that have safety signs on them, new signs must be applied. Safety signs must always be replaced if they become damaged, are removed, or become illegible.

Safety signs are included in the product decal kit available from your authorized dealer. Decals are not available separately.





Decal Layout



## Accessories

### PT300 3 Point Hitch

- Category I

### PT322 3 Point Hitch

- Category II

### BK2900 9" Bucket

- 3 teeth
- Bucket Volume: 0.8 ft<sup>3</sup>

### BK2120 12" Bucket

- 3 teeth
- Bucket Volume: 1.2 ft<sup>3</sup>

### BK2150 15" Bucket

- 4 teeth
- Bucket Volume: 1.5 ft<sup>3</sup>

### BK2180 18" Bucket

- 4 teeth
- Bucket Volume: 1.8 ft<sup>3</sup>

### BK2240 24" Bucket

- 5 teeth
- Bucket Volume: 2.4 ft<sup>3</sup>

### BK2240D 24" Ditching Bucket

- No teeth
- Bucket Volume: 2.4 ft<sup>3</sup>

### BT5290 Mechanical Thumb Kit

The clamp-on mechanical thumb allows better control of material that is difficult to scoop or place.

### BT5300 Hydraulic Thumb Kit

The hydraulic thumb allows better control of material that is difficult to scoop or place.

### BT7220 Quick Change Bucket Adapter

Switches attachments quickly and easily with only one bolt.

### BT7230 Ripper Tooth

Designed for initial breakup of dense, hard-packed material including frozen ground.

### BT7240 Vertical Stabilizer Kit

Allows digging closer to objects such as buildings and foundations while maintaining stability.

### BT7270 Closed Center Kit

Used to connect the back hoe to tractors with closed-center hydraulic systems.

### BP230 Street Pad Kit

Protects pavement or cement from cleats on the backhoe stabilizer legs.

### PTO72 PTO Hydraulic Pump Kit

The 7 gpm self-contained PTO Pump Kit provides hydraulic power to the back hoe on tractors that do not have auxiliary power.


## Common Bolt Torque Values

### Checking Bolt Torque

The tables shown give correct torque values for various bolts and capscrews. Tighten all bolts to the torque values specified in the table, unless indicated otherwise. Check tightness of bolts periodically.

**IMPORTANT!** If replacing hardware, use fasteners of the same grade.

**IMPORTANT!** Torque figures indicated in the table are for non-greased or non-oiled threads. Do not grease or oil threads unless indicated otherwise. When using a thread locker, increase torque values by 5%.

 **NOTE:** Bolt grades are identified by their head markings.

### Imperial Bolt Torque Specifications

Bolt Diameter	Torque Value					
	SAE Gr. 2		SAE Gr. 5		SAE Gr. 8	
	lbf•ft	N•m	lbf•ft	N•m	lbf•ft	N•m
1/4"	6	8	9	12	12	17
5/16"	10	13	19	25	27	36
3/8"	20	27	33	45	45	63
7/16"	30	41	53	72	75	100
1/2"	45	61	80	110	115	155
9/16"	60	95	115	155	165	220
5/8"	95	128	160	215	220	305
3/4"	165	225	290	390	400	540
7/8"	170	230	420	570	650	880
1"	225	345	630	850	970	1320



SAE Gr. 2



SAE Gr. 5



SAE Gr. 8

### Metric Bolt Torque Specifications

Bolt Diameter	Torque Value			
	Gr. 8.8		Gr. 10.9	
	lbf•ft	N•m	lbf•ft	N•m
M3	0.4	0.5	1.3	1.8
M4	2.2	3	3.3	4.5
M6	7	10	11	15
M8	18	25	26	35
M10	37	50	52	70
M12	66	90	92	125
M14	83	112	116	158
M16	166	225	229	310
M20	321	435	450	610
M30	1,103	1 495	1,550	2 100



8.8



10.9

## Hydraulic Fitting Torque Values

### Tightening Flare Type Tube Fittings

1. Check flare and flare seat for defects that might cause leakage.
2. Align tube with fitting before tightening.
3. Hand-tighten swivel nut until snug.
4. To prevent twisting the tube, use two wrenches. Place one wrench on the connector body and tighten the swivel nut with the second. Torque to values shown.

If a torque wrench is not available, use the FFFT (Flats From Finger Tight) method.

Hydraulic Fitting Torque					
Tube Size OD	Hex Size Across Flats	Torque value		Flats From Finger Tight	
		lbf•ft	N•m	Flats	Turns
3/16	7/16	6	8	2	1/6
1/4	9/16	11–12	15–17	2	1/6
5/16	5/8	14–16	19–22	2	1/6
3/8	11/16	20–22	27–30	1-1/4	1/6
1/2	7/8	44–48	59–65	1	1/6
5/8	1	50–58	68–79	1	1/6
3/4	1-1/4	79–88	107–119	1	1/8
1	1-5/8	117–125	158–170	1	1/8

Values shown are for non-lubricated connections.