



## **BXT6224 Chipper**

S/N 2E9US1111DS050175 through 2E9US1117FS050201

## **BXT6228su Chipper**

S/N 2E9US1118DS055024 through 2E9US111XFS055039

## **Parts Manual**



## Foreword

EMB Mfg. has prepared this parts manual to assist customers in ordering quality OEM replacement parts.

Proper and regular service and replacing old, worn or broken parts with the correct OEM parts are essential to prolonging the life of your EMB product. Please refer to this manual before ordering any replacement parts.

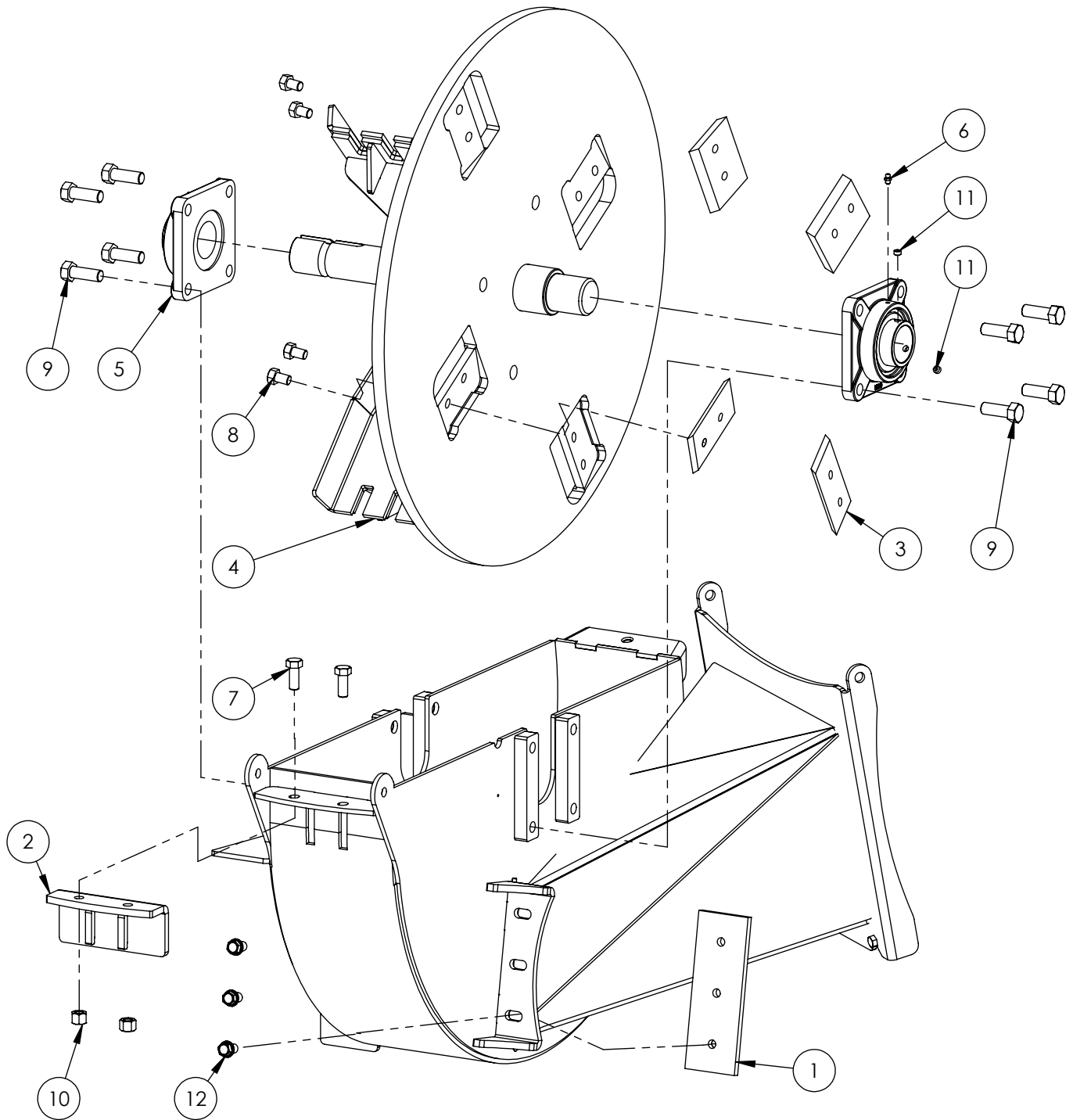
All information contained in this parts manual is based on the latest product specification available at the time of printing this manual. If your product differs from the specifications contained within this manual contact EMB Mfg. for information.

EMB reserves the right to alter specifications on their products at any time.

Reproduction of this parts manual of any kind is prohibited without prior written permission from EMB Mfg.

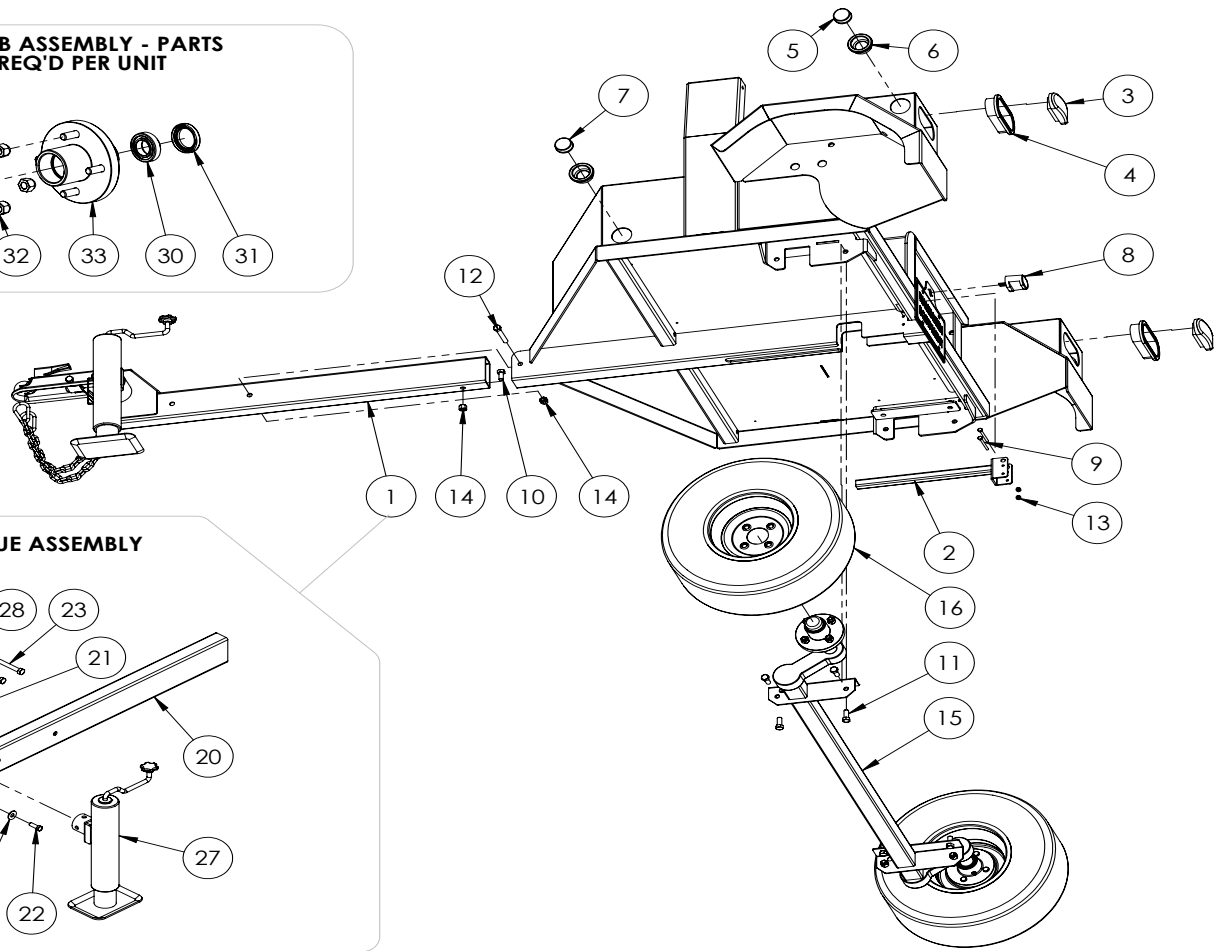
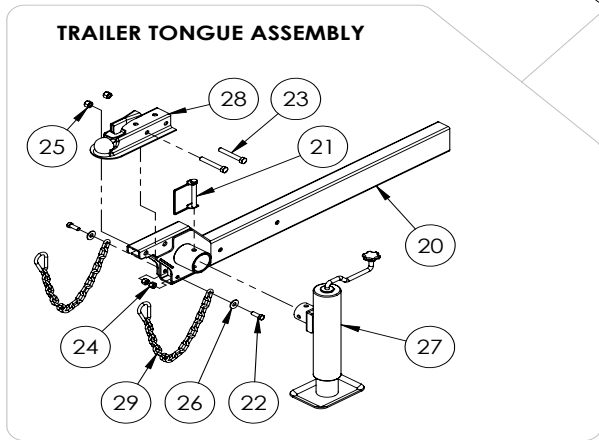
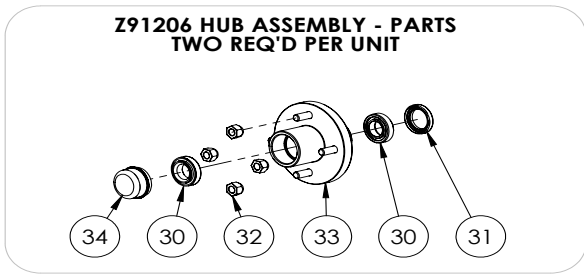
# Table of Contents

Rotor	4
Running Gear	5
Driveline	6
Blower	7
Main Frame, Guards & Battery	8
Fuel Tank & Fuel Lines	9
Discharge Chute	10
Hopper	11
Wiring Diagram	12
Decals	13



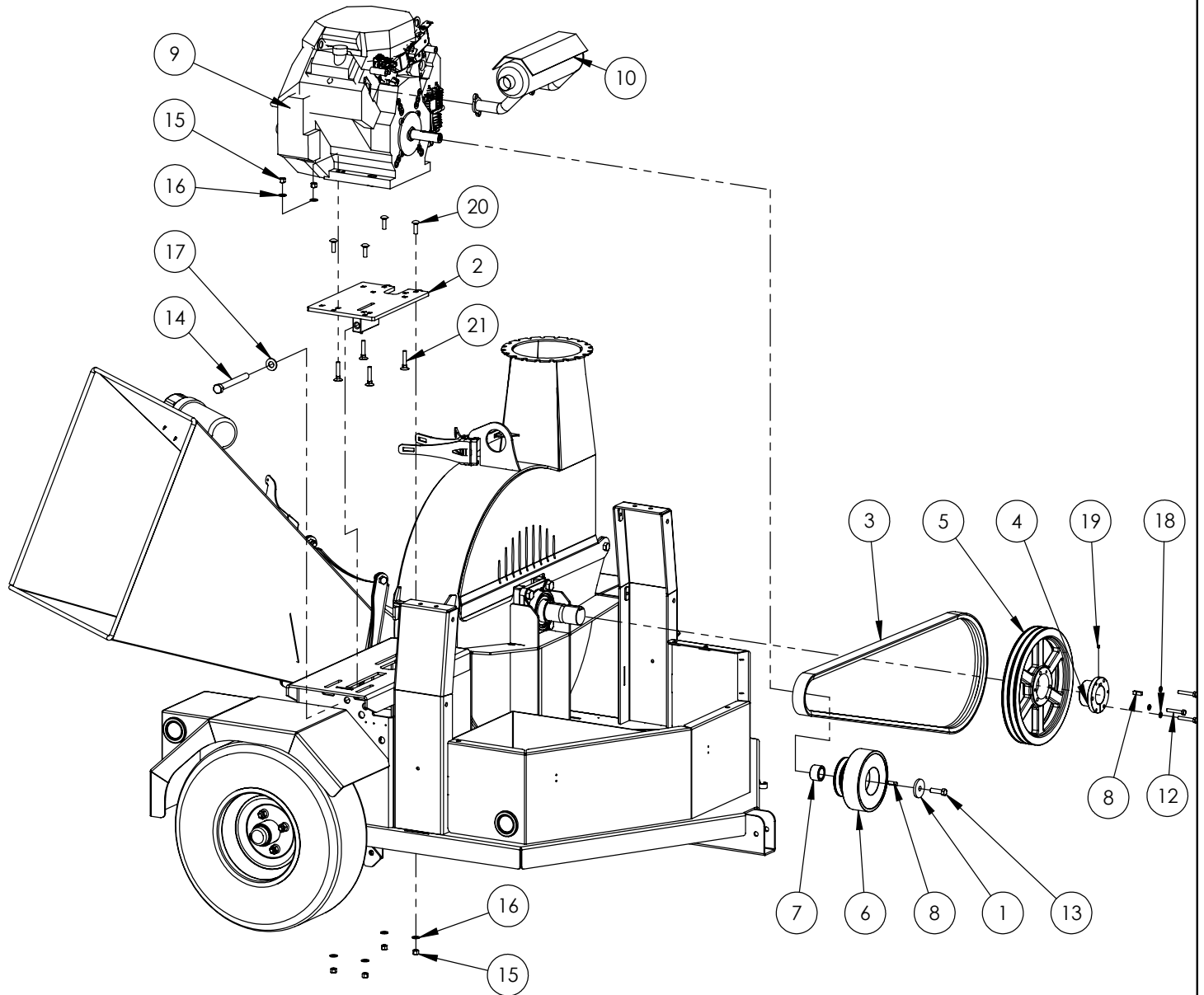
### BXT62 ROTOR PARTS BREAKDOWN

ITEM	PART NO.	DESCRIPTION	QTY
1	1012M204	Knife, BX62 Ledger	1
2	1012W204	Twig Breaker	1
3	1053M303	Split Knife, BXT62 Rotor	4
4	1053W203	Rotor, 4-split Trailer Weldment	1
5	Z25203	4-Bolt Bearing 2" Bore	2
6	Z29202	Grease Zerk 1/4NF	2
7	Z71512	Hex Bolt 1/2NC x 1-1/4	2
8	Z71572G8	Hex Bolt, 1/2NF x 7/8" G8	8
9	Z71672G8	Hex Bolt, 5/8NF x 1-3/4 Gr8	8
10	Z72251	Hex Lock Nut 1/2NC	2
11	Z74132	Set Screw 3/8NF	4
12	Z76151	Flange Bolt 1/2NF x 3/4 Gr8	3



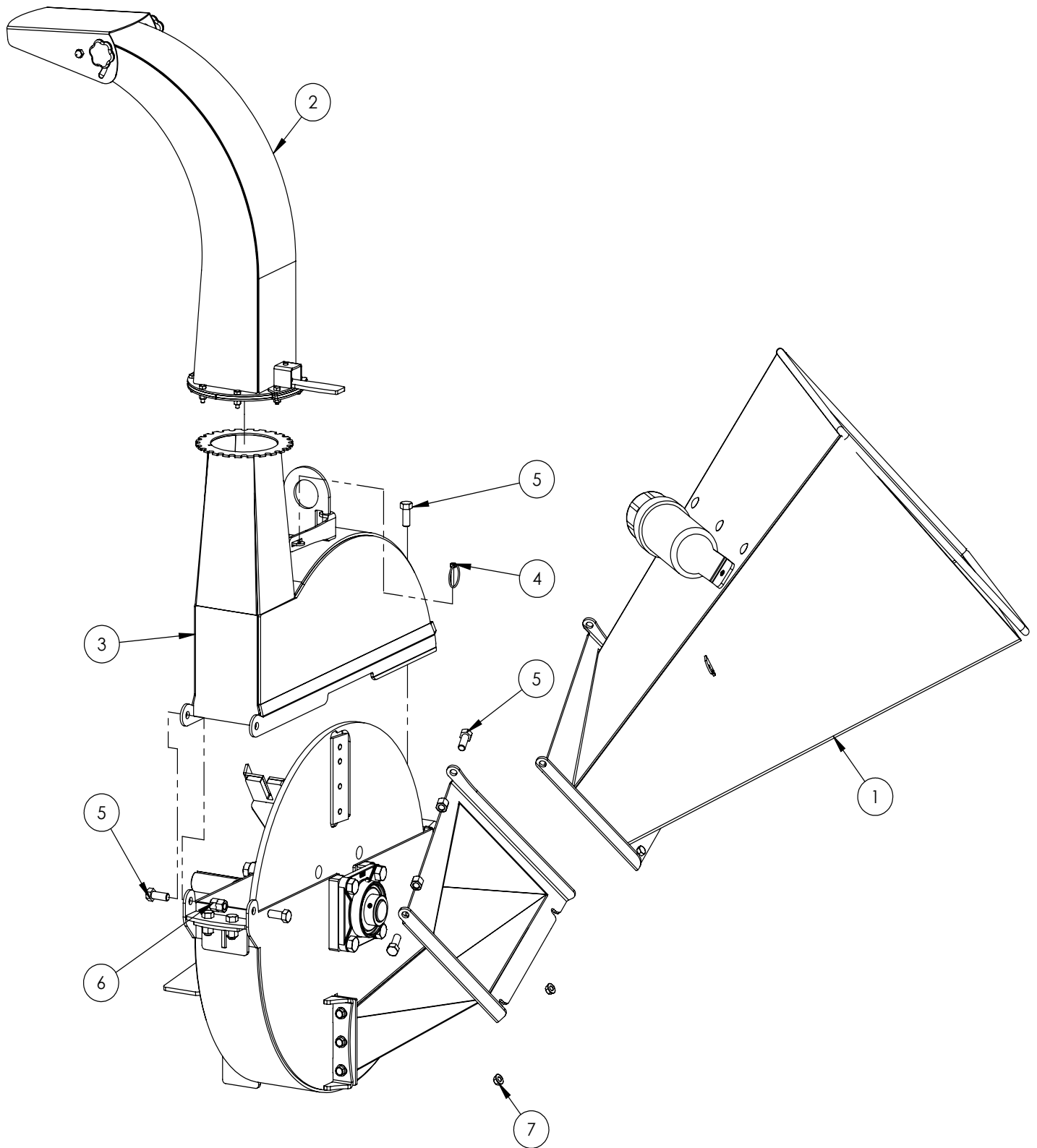
**BXT62 RUNNING GEAR PARTS BREAKDOWN**

ITEM	PART NO.	DESCRIPTION	QTY.
1	1053A301	Trailer Tongue Assembly	1
2	1053W306	Wire Protector Weldment	1
3	Z61102	Oval Light 2-1/4 x 6-1/4, Red	2
4	Z61103	Oval Grommet 2-1/2 x 6.76	2
5	Z61201	Round Marker Lamp 2" Red	2
6	Z61202	Round Grommet 2" Lamp	4
7	Z61205	Round Marker Lamp 2" Amber	2
8	Z61301	License Lamp	1
9	Z71130	Hex Bolt 1/4NC x 3	2
10	Z71510	Hex Bolt 1/2NC x 1	1
11	Z71512	Hex Bolt 1/2NC x 1-1/4	8
12	Z71535	Hex Bolt 1/2NC x 3-1/2	1
13	Z72111	Hex Lock Nut 1/4NC	2
14	Z72251	Hex Lock Nut 1/2NC	10
15	Z91114	#9 Torflex 1800# Axle with Hubs	1
16	Z91303	20.5x8-10 LRB USA Trail Solid	2
ITEM	PART NO.	DESCRIPTION	QTY.
20	1053W301	Tongue Weldment	1
21	Z12441	Snapper Pin 1/2 x 4-1/2	1
22	Z71412	Hex Bolt 7/16NC x 1-1/4	2
23	Z71530	Hex Bolt 1/2NC x 3	2
24	Z72240	Hex Lock Nut, 7/16NC	2
25	Z72251	Hex Lock Nut 1/2NC	2
26	Z73240	Wide Flat Washer 7/16	2
27	Z91513	Top-Wind 10" Swivel Jack	1
28	Z91614	2" Hitch Coupler	1
29	Z92303	Safety Chain 1/4 x 2'	2
ITEM	PART NO.	DESCRIPTION	QTY.
30	Z23202	L44649 Cone, L44610 Cup	2
31	Z28302	Double Lip Seal 1-1/16 Spindle	1
32	Z72931	Lug Nut 1/2NF	4
33	Z91201	1000# 4-Bolt Hub	1
34	Z91801	Dust Cap 1.98 Bore	1



**BXT62 DRIVELINE PARTS BREAKDOWN**

ITEM	PART NO.	DESCRIPTION	QTY
1	1052L917	Washer, Clutch Trap	1
2	1053W304	Engine Adjustment Plate	1
3	Z41254	Double "B" Belt x 87	1
4	Z41512	SK Bushing, 2 Bore	1
5	Z41702	Double "B" Sheave, 12.75" Pitch	1
6	Z41902	Clutch 1-1/8 Bore x Dbl"B" 3.9P	1
7	Z46353	Spacer 1-1/8ID x 1.065	1
8	Z46542	Key 5/16 x 5/16 x 1	2
9	Z47168	GX690 Honda 24hp Engine BXT6224	1
	Z47709	Subaru EH722DSF010, Electric BXT6228su	1
10	Z47169	GX630-690 Muffler BXT6224	1
	Z47904	Aftermarket Muffler, EH722 BXT4228su	1
11	Z62815	Vinyl coated J-clip 1/2"	1
12	Z71220	Hex Bolt 5/16NC x 2	3
13	Z71472	Hex Bolt 7/16NF x 1-1/2	1
14	Z71660	Hex Bolt 5/8NC x 6	1
15	Z72231	Hex Lock Nut 3/8NC	8
16	Z73130	Flat Washer 3/8	8
17	Z73160	Flat Washer 5/8	1
18	Z73320	Lock Washer 5/16	3
19	Z74110	Set Screw 1/4NC	1
20	Z76232	Carriage Bolt 3/8NC x 1-1/4	4
21	Z76632	Plow Bolt 3/8NC x 2	4

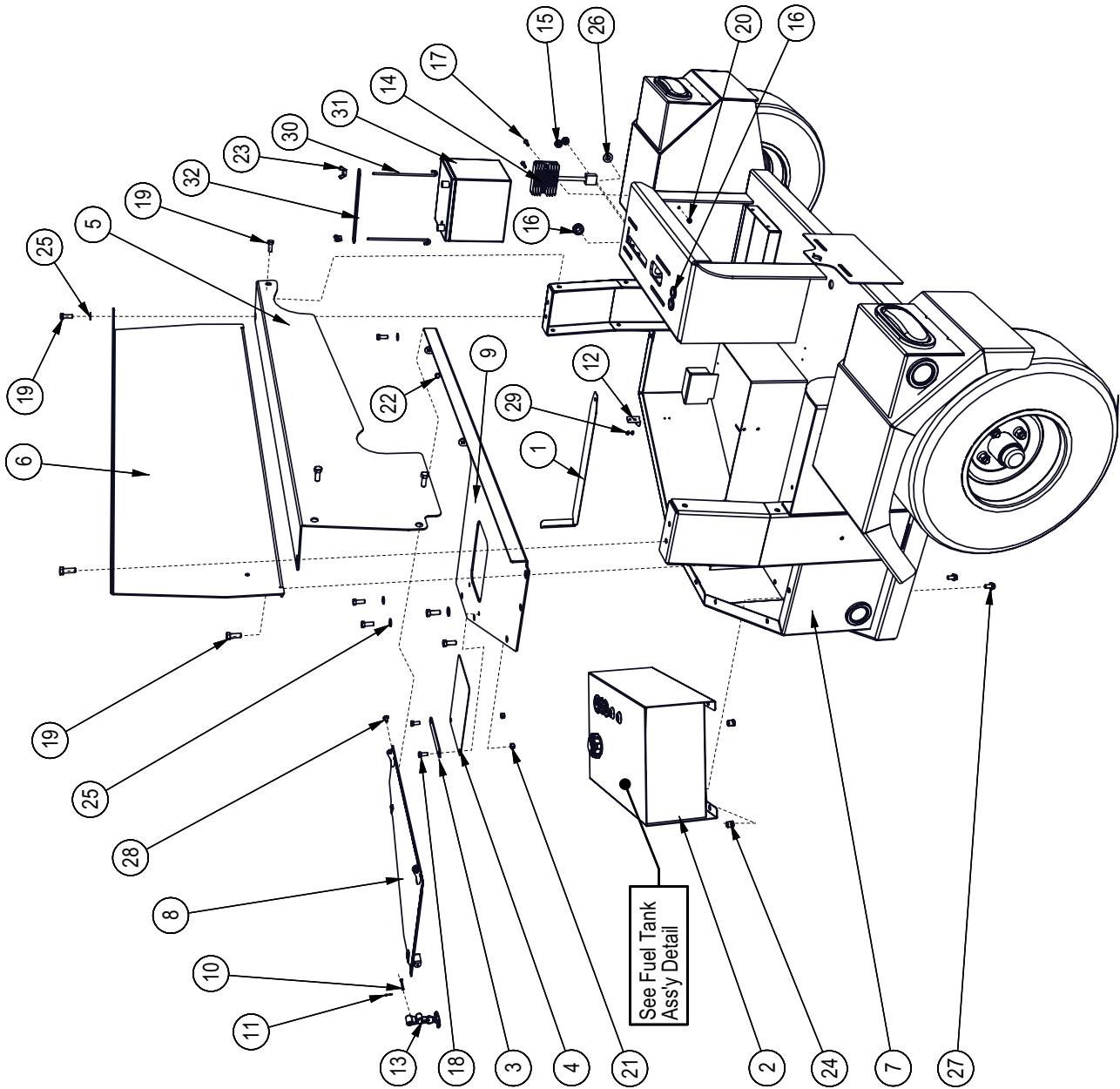


**BXT62 BLOWER PARTS BREAKDOWN**

ITEM	PART NO.	DESCRIPTION	QTY
1	1012A202	Self-Feed Hopper	1
2	1012A201	Assembly, Discharge Chute	1
3	1053W202	Housing, Upper Rotor	1
4	Z12110	Latch Pin 3/16	1
5	Z71512	Hex Bolt 1/2NC x 1-1/4	5
6	Z72251	Hex Lock Nut 1/2NC	4
7	Z72531	Flange Nut 3/8NC	2

**BXT62 MAIN FRAME, GUARDS & BATTERY PARTS BREAKDOWN**

BOM ID	Part No.	Description	Qty
1	1012L269	Gauge, Ledger Setting	1
2	1052A501	Fuel Tank, Trailer Chippers EPA	1
3	1052L124	Gas Flap Strap	1
4	1052S103	Flap, Fuel Tank	1
5	1053L322	Rear Belt Guard	1
6	1053L325	Front Guard	1
7	1053W303	Main Frame	1
8	1053W305	Tank Cover	1
9	1053W307	Weldment, Bay Cover	1
10	Z11300	Clevis Pin 3/16 x 1-3/8	2
11	Z12300	Cotter Pin, 3/32 x 3/4	2
12	Z18201-2	Hood Fastener, Top Bracket	2
13	Z18201-3	Hood Fastener, Latch Strap	2
14	Z47901	Regulator Rectifier	1
15	Z62808	Rubber Grommet, 7/16" x 1/4"	2
16	Z62822	Rubber Grommet, 3/4" x 1/4"	3
17	Z71112	Hex Bolt, 1/4NC x 1-1/4"	2
18	Z71207	Hex Bolt, 5/16NC x 3/4"	2
19	Z71310	Hex Bolt, 3/8NC x 1"	11
20	Z72211	Hex Lock Nut, 1/4NC	2
21	Z72221	Hex Lock Nut, 5/16NC	2
22	Z72914	Acorn Nut, 5/16NC	2
23	Z72921	Wing Nut, 1/4NC	2
24	Z72958	Rivet Nut, 3/8NC x 150	4
25	Z73131	SAE Washer, 3/8"	5
26	Z73161	SAE Washer, 5/8"	1
27	Z76133	Flange Bolt, 3/8NC x 3/4"	4
28	Z76221	Carriage Bolt, 5/16NC x 3/4"	2
29	Z76711	Self-tapping Screw, #10 x 1/2"	4
30	Z93202	J-Hook, 1/4" x 7"	2
31	Z93205	Battery, 550CCA	1
32	Z93207	Hold-Down Strap, 1" x 8-1/2"	1

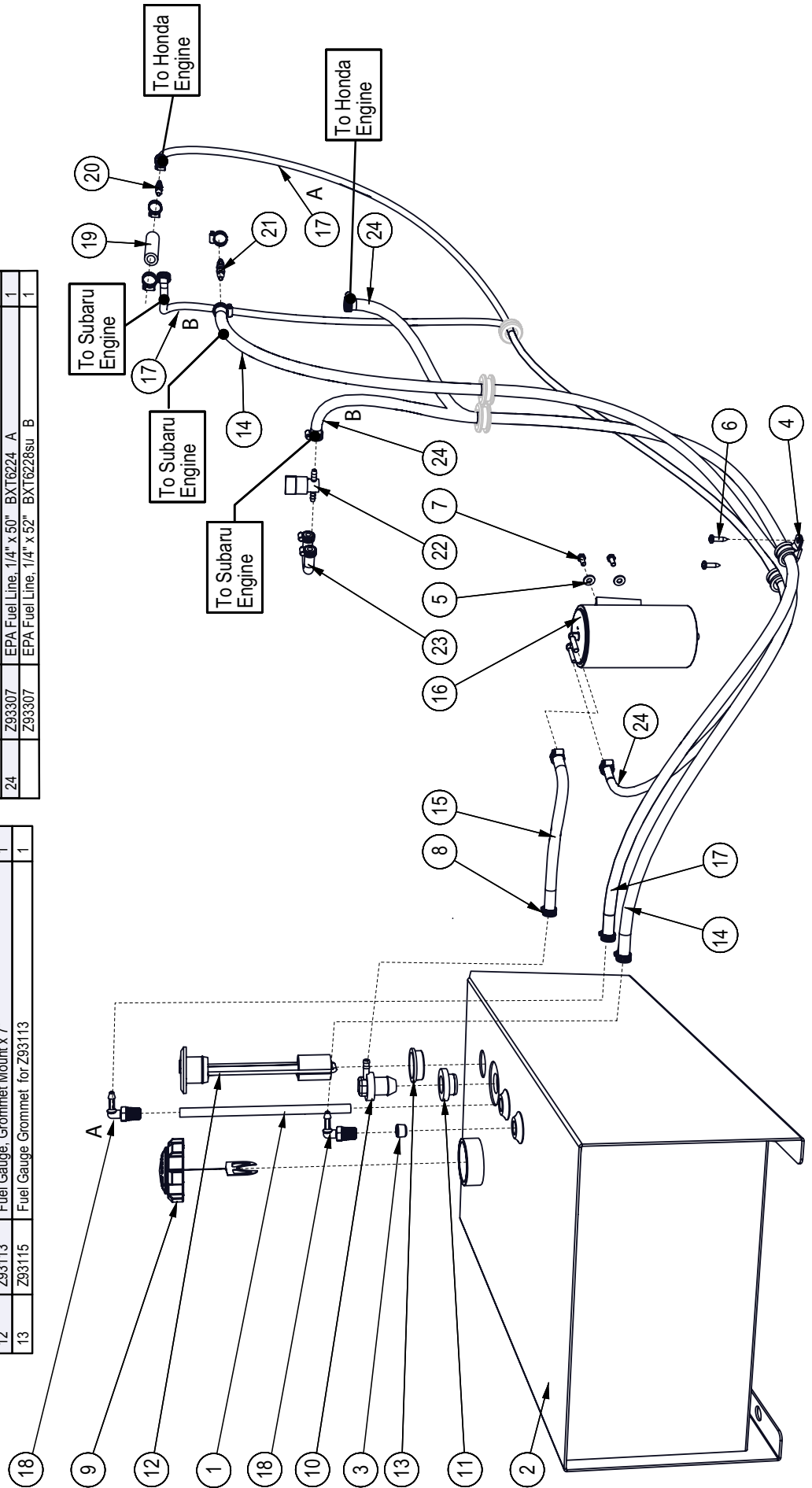


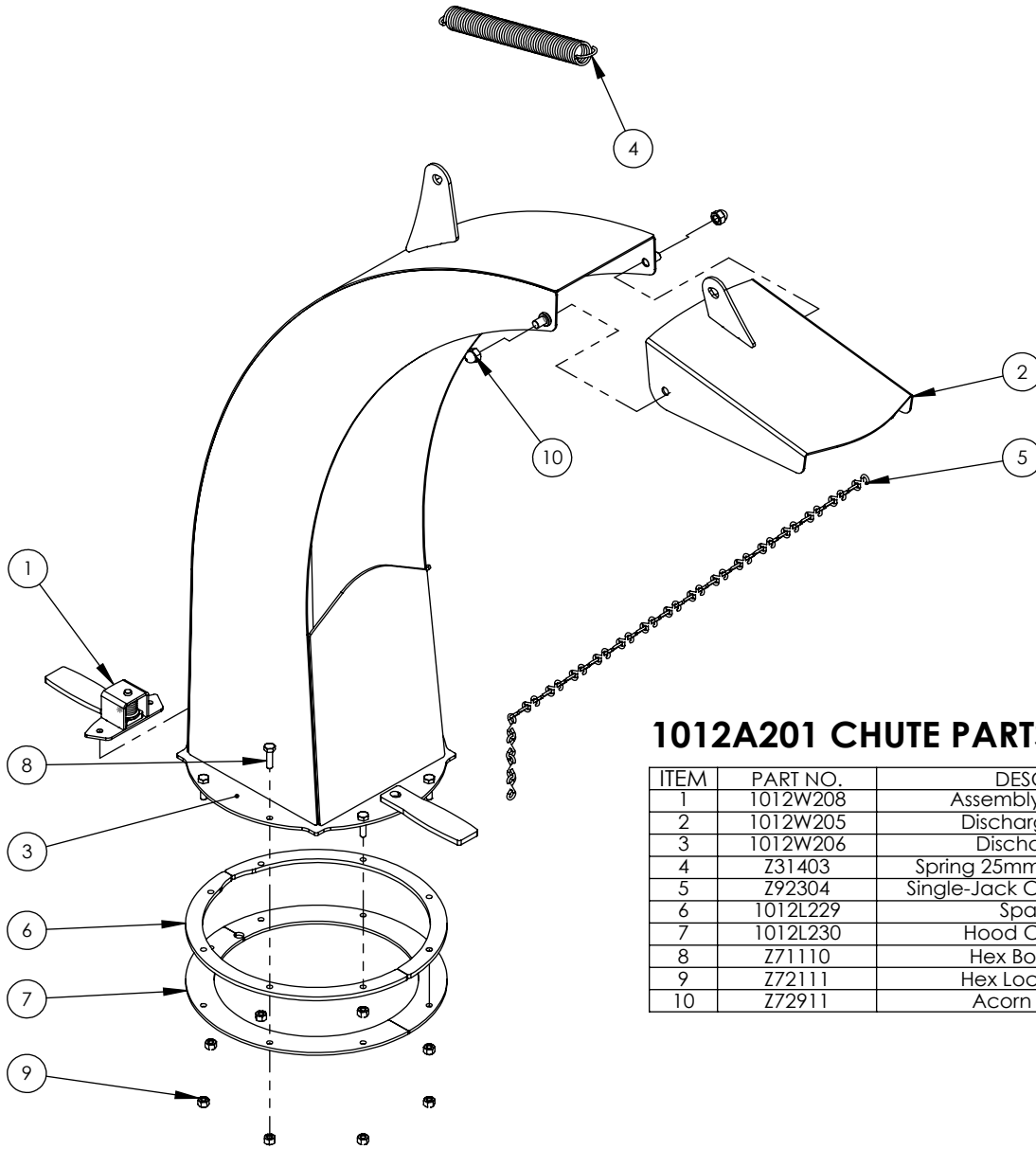


**BXT62 1052A501 FUEL TANK ASS'Y & FUEL LINES BREAKDOWN**

BOM ID	Part No.	Description	Qty
1	1052S501	Fuel Pickup Tube	1
2	1052W501	Fuel Tank, Trailer Chipper	1
3	Z51194	Socket Plug, MP 04	1
4	Z62821	Rubberized Wire Clamp, 5/8"	2
5	Z73111	SAE Washer, 1/4"	2
6	Z76712	Self-tapping Screw, #10 x 3/4"	2
7	Z77130	Hex Bolt, M6x1.0 x 14mm	2
8	Z79405	Hose Clamp, SAE #4 (5/8") BXT6224	8
9	Z79405	Hose Clamp, SAE #4 (5/8") BXT6228su	11
10	Z93108	EPA Ratchet Fuel Cap, Unleaded Fuel x Unvented with Tether	1
11	Z93110	EPA Remote Vent, HB04	1
12	Z93111	Vent Grommet For Z93110	1
13	Z93113	Fuel Gauge, Grommet Mount x 7"	1
13	Z93115	Fuel Gauge Grommet for Z93113	1

BOM ID	Part No.	Description	Qty
14	Z93307	EPA Fuel Line, 1/4" x 55" BXT6228su	1
15	Z93307	EPA Fuel Line, 1/4" x 8"	1
16	Z93309	EPA Carbon Canister, 652cc	1
17	Z93310	EPA Fuel Line, 3/16" x 68" BXT6224 A	1
17	Z93310	EPA Fuel Line, 3/16" x 69" BXT6228su B	1
18	Z93312	Plastic Elbow 90, MP x HB 0404 BXT6224 A	1
18	Z93312	Plastic Elbow 90, MP x HB 0404 BXT6228su	2
19	Z93313	Fuel Line, 3/8" ID x 3" BXT6224 Only	1
20	Z93314	Plastic Reducer, HB x HB 0403 BXT6224 Only	1
21	Z93317	Plastic Coupling, HB x HB 0404 BXT6228su Only	1
22	Z93301	Fuel Shut-Off Valve, 1/4" BXT6228su Only	1
23	Z93307	EPA Fuel Line, 1/4" ID x 4" BXT6228su Only	1
24	Z93307	EPA Fuel Line, 1/4" x 50" BXT6224 A	1
24	Z93307	EPA Fuel Line, 1/4" x 52" BXT6228su B	1



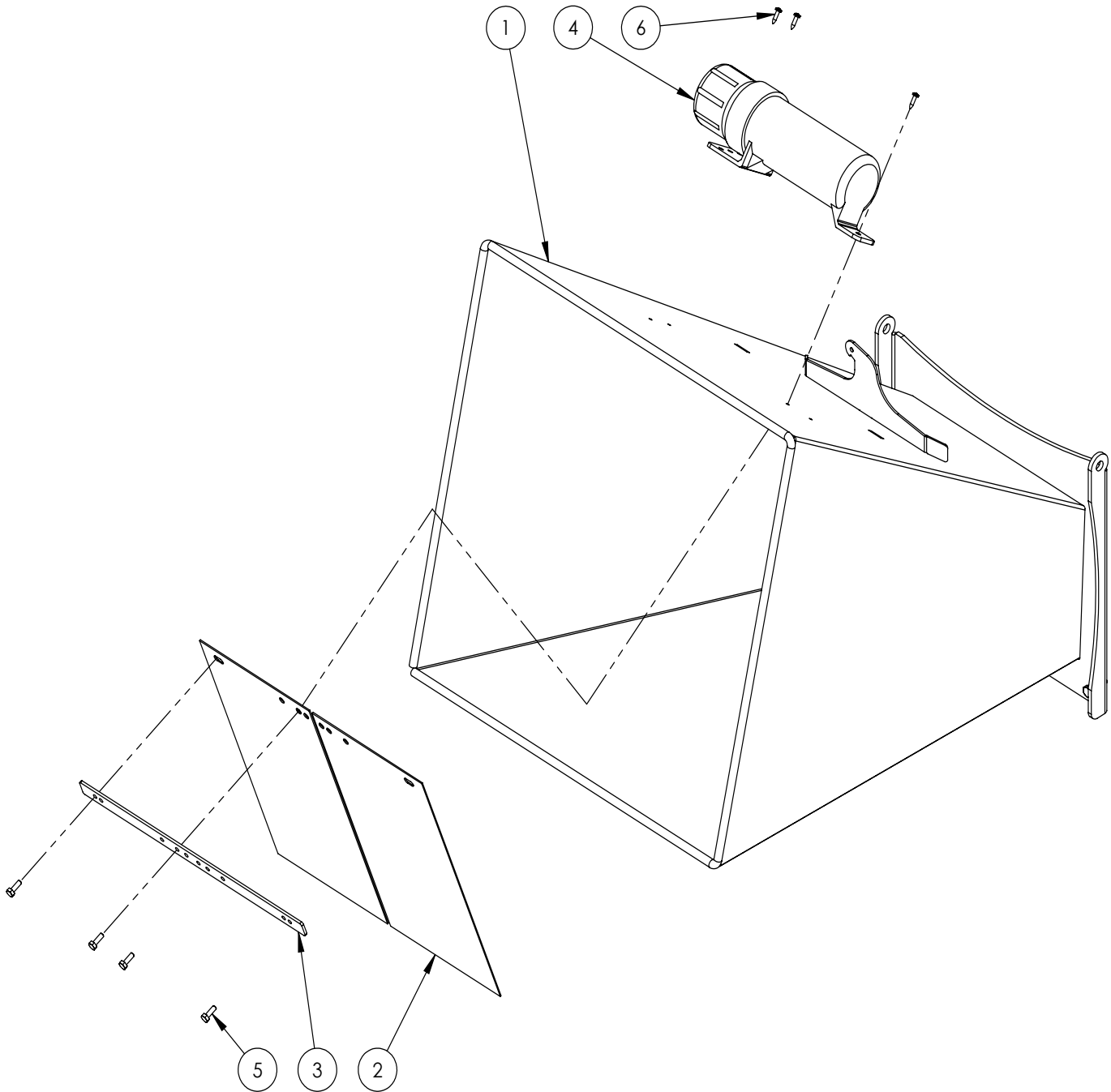


### 1012A201 CHUTE PARTS BREAKDOWN

ITEM	PART NO.	DESCRIPTION	QTY
1	1012W208	Assembly, Hood Latch	1
2	1012W205	Discharge Deflector	1
3	1012W206	Discharge Chute	1
4	Z31403	Spring 25mm x 178mm Heavy	1
5	Z92304	Single-Jack Chain #10 [35 links]	3.2
6	1012L229	Spacer Ring	2
7	1012L230	Hood Capture Ring	2
8	Z71110	Hex Bolt 1/4NC x 1	8
9	Z72111	Hex Lock Nut 1/4NC	8
10	Z72911	Acorn Nut, 3/8NC	2

# BXT62 HOPPER PARTS BREAKDOWN

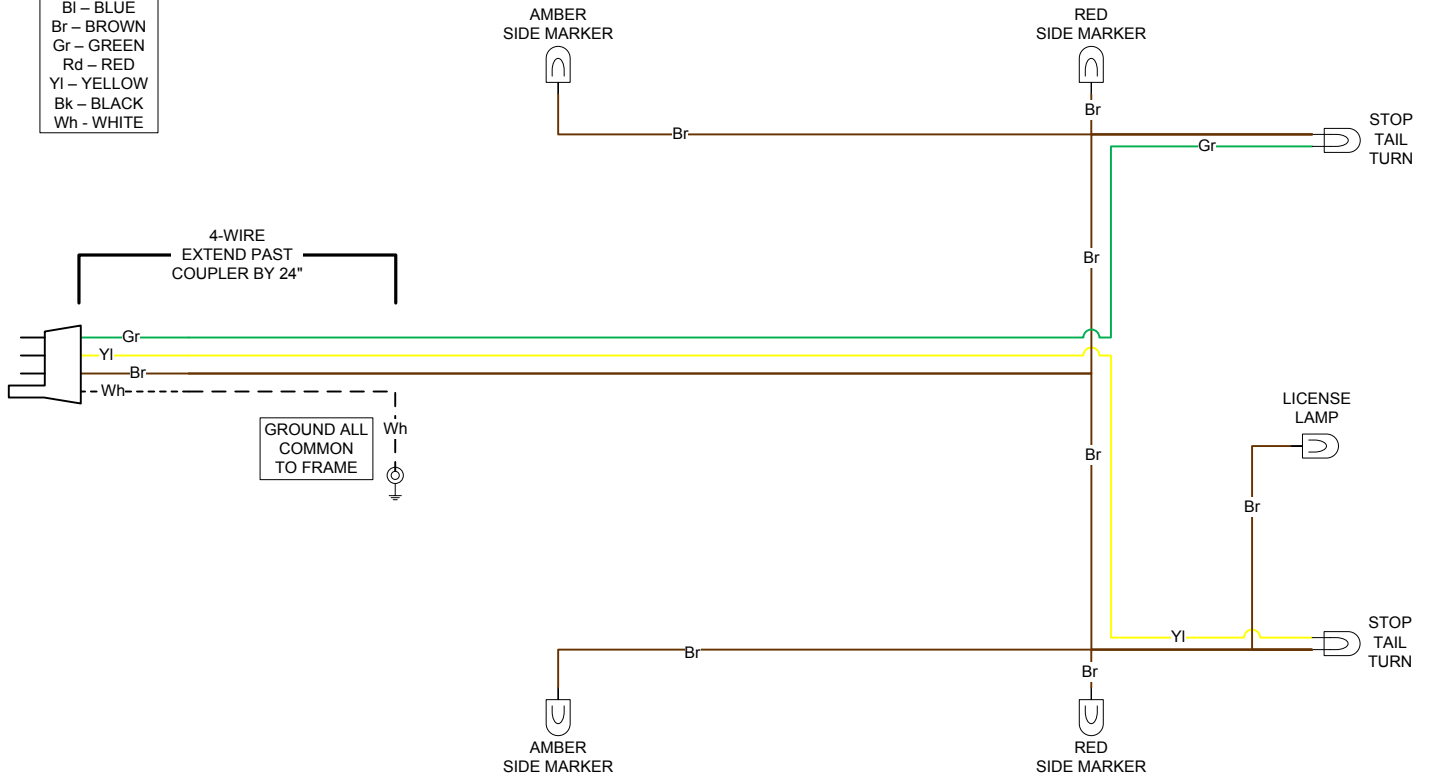
ITEM	PART NO.	DESCRIPTION	QTY
1	1012W207	Hopper, Self-Feed BX62	1
2	1011S103	Flap, Hopper	2
3	1012L251	Strap, Hopper Flap	1
4	Z96503	Manual Tube 3-1/2 Short	1
5	Z71107	Hex Bolt 1/4NC x 3/4	4
6	Z76712	Self-tapping Screw #10	3



# BXT62 WIRING

KEY	
Bl	- BLUE
Br	- BROWN
Gr	- GREEN
Rd	- RED
Yl	- YELLOW
Bk	- BLACK
Wh	- WHITE

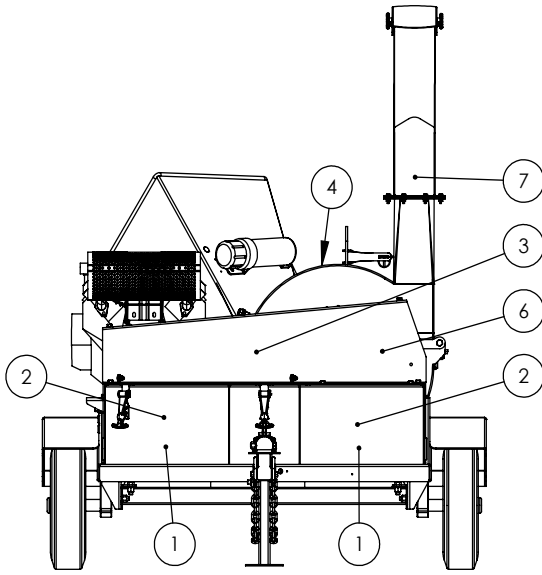
## RIGHT SIDE



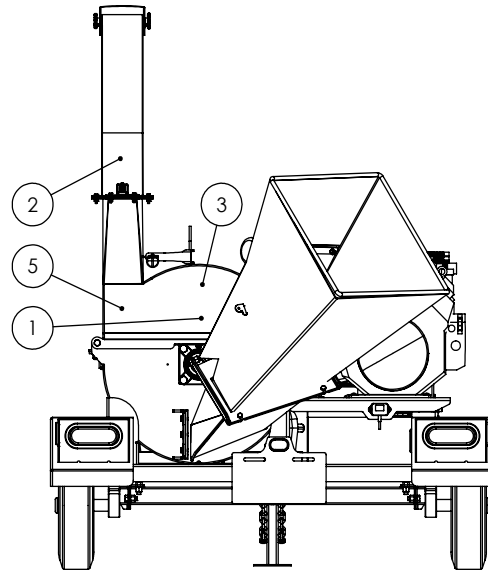
## LEFT SIDE

### BXT6224 DECAL BREAKDOWN

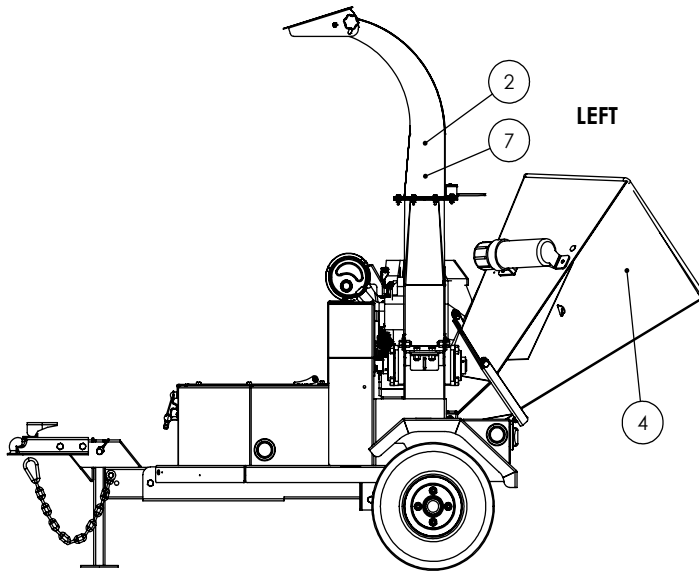
ITEM	PART NO.	DESCRIPTION	QTY
1	Z94056	WALLENSTEIN Decal	3
2	Z94019	1" Dia. Made In Canada	5
3	Z94107	BXT6224 Decal	2
4	Z94007	DANGER - Rotating Blades	4
5	Z94006	CAUTION - Read Manual	1
6	Z94012	WARNING - Rotating Part Hazard	1
7	Z94008	DANGER - Thrown Object Hazard	3
8	Z94013	DANGER - Missing Guard	1



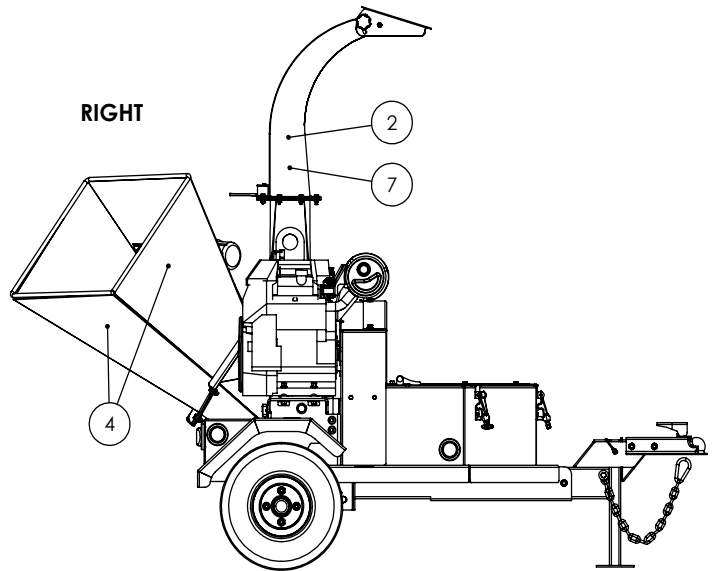
FRONT



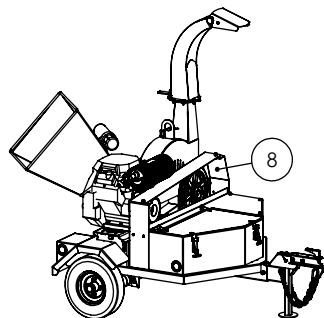
BACK



LEFT



RIGHT



# Decals BXT6224

Z94056



Z94107



Z94006



Z94007



Z94019



Z94019



Z94012

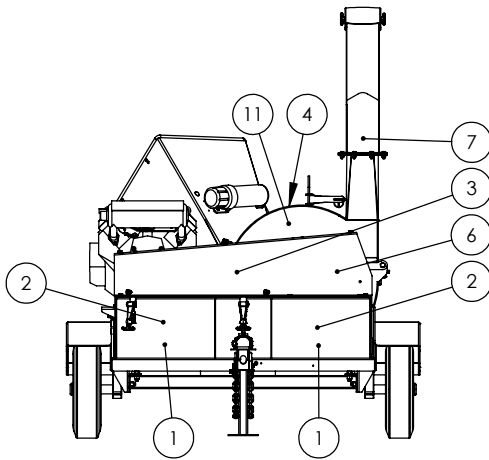


Z94008

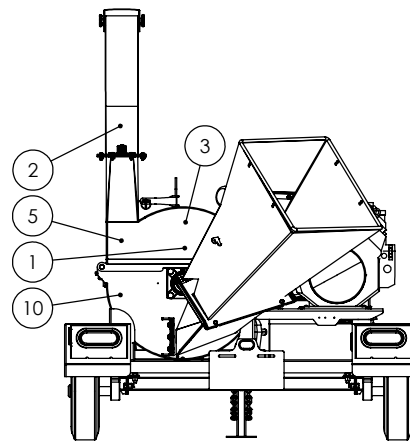


### TWO PANEL BXT6224 DECAL BREAKDOWN

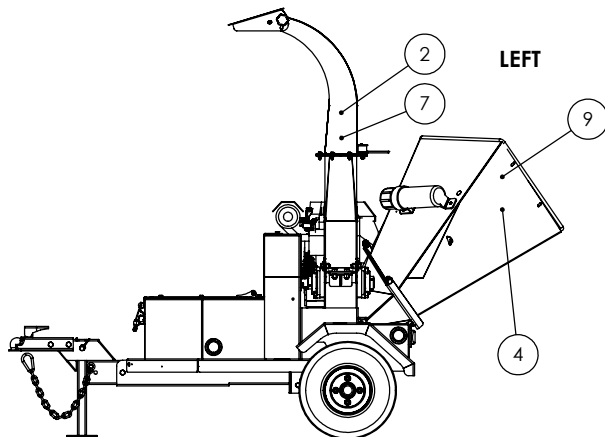
ITEM	PART NO.	DESCRIPTION	QTY
1	Z94056	WALLENSTEIN Decal	3
2	Z94019	1" Dia. Made In Canada	5
3	Z94107	BXT6224 Decal	2
4	Z94120	DANGER - Rotating Blades	4
5	Z94119	CAUTION - Read Manual	1
6	Z94116	WARNING - Rotating Part Hazard	1
7	Z94117	DANGER - Thrown Object Hazard	3
8	Z94127	DANGER - Missing Guard	1
9	Z94143	121 dB Noise Level	1
10	Z94144	RH Rotation	1
11	Z94145	LH Rotation	1



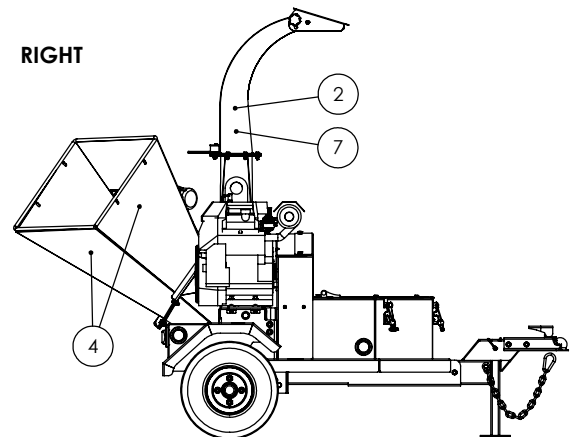
FRONT



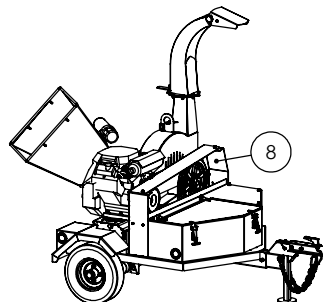
BACK



LEFT



RIGHT



# Two Panel Decals BXT6224

Z94019



Z94056



Z94145



Z94107



Z94144



Z94119



Z94120



Z94143



Z94127



Z94116



Z94117





This Page is Intentionally Blank



**WALLENSTEIN Products Manufactured by:**

**EMB MFG Inc.**

4144 Boomer Line  
St. Clements, Ontario  
Canada N0B 2M0  
Phone: 1-877-695-9283  
Fax: 519-699-4146  
[www.embmfg.com](http://www.embmfg.com)