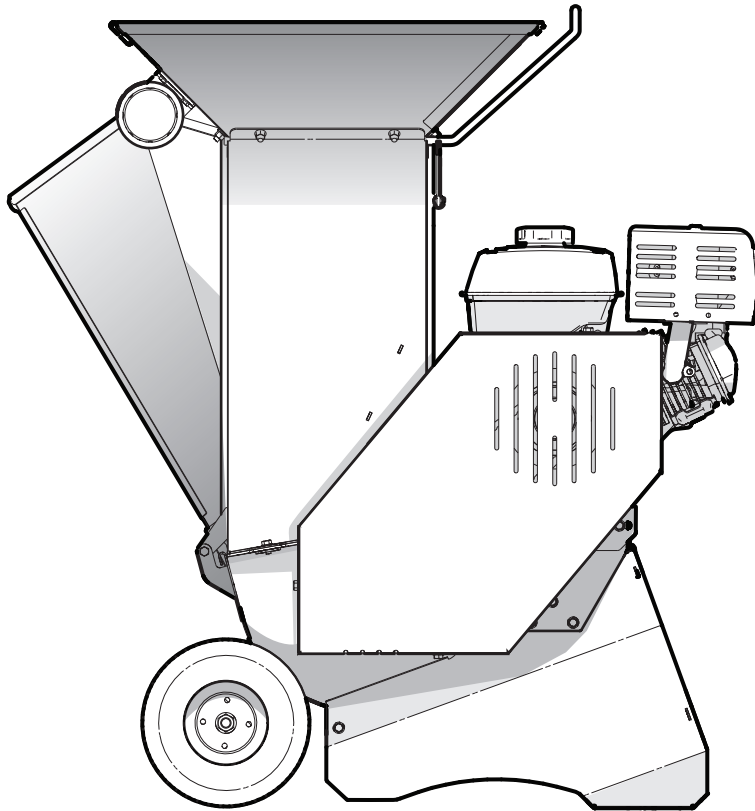


PARTS MANUAL

Serial Number 1MC34S24 & up

BXMC34S CART CHIPPER / SHREDDER



Foreword

This Wallenstein parts manual is prepared to assist customers in ordering quality OEM replacement parts.

Regular maintenance combined with replacing old, worn or broken parts with the correct OEM parts is essential in prolonging the life of your Wallenstein product. Refer to this manual to identify replacement parts.

To order parts, contact your Wallenstein dealer or distributor. Have the product model and serial number handy.

If your dealer is no longer available, please go to our website: <http://wallensteinequipment.com> and click on the [Dealer Locator](#) to find the nearest dealer.

All information contained in this parts manual is current as per the revision date at the bottom of the page. Wallenstein reserves the right to change product specifications at any time without notice.

If your product specifications differ from those contained in this manual, contact Wallenstein for current information.

Reproduction of information in this parts manual is prohibited without prior written permission from Wallenstein Equipment Inc.

Wallenstein Equipment Inc. • © 2020

WARNING!

Refer to the operators manual for safe operation and maintenance.

Maintenance should be performed by trained personnel only.

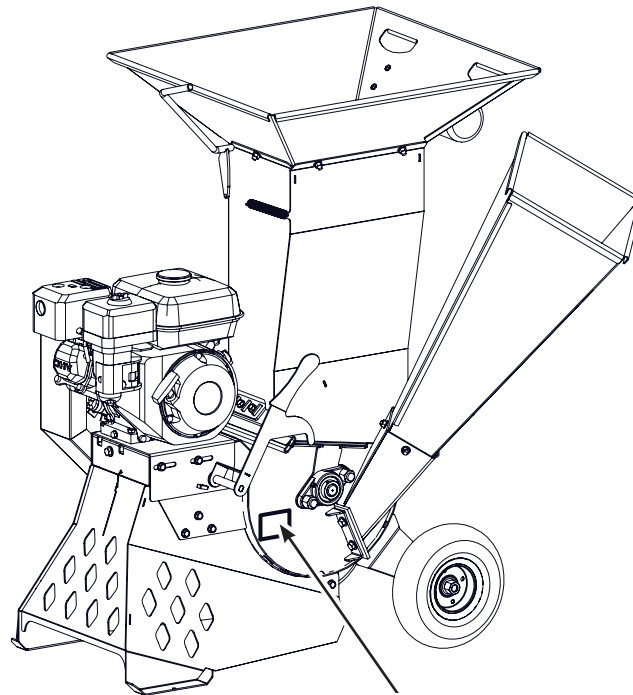
Serial Number Location

Always provide the model and serial number of your Wallenstein product when ordering parts or requesting service or other information. This information is found on the product information plate as shown below.

Record your product information here for future reference.

Model _____

Serial Number _____



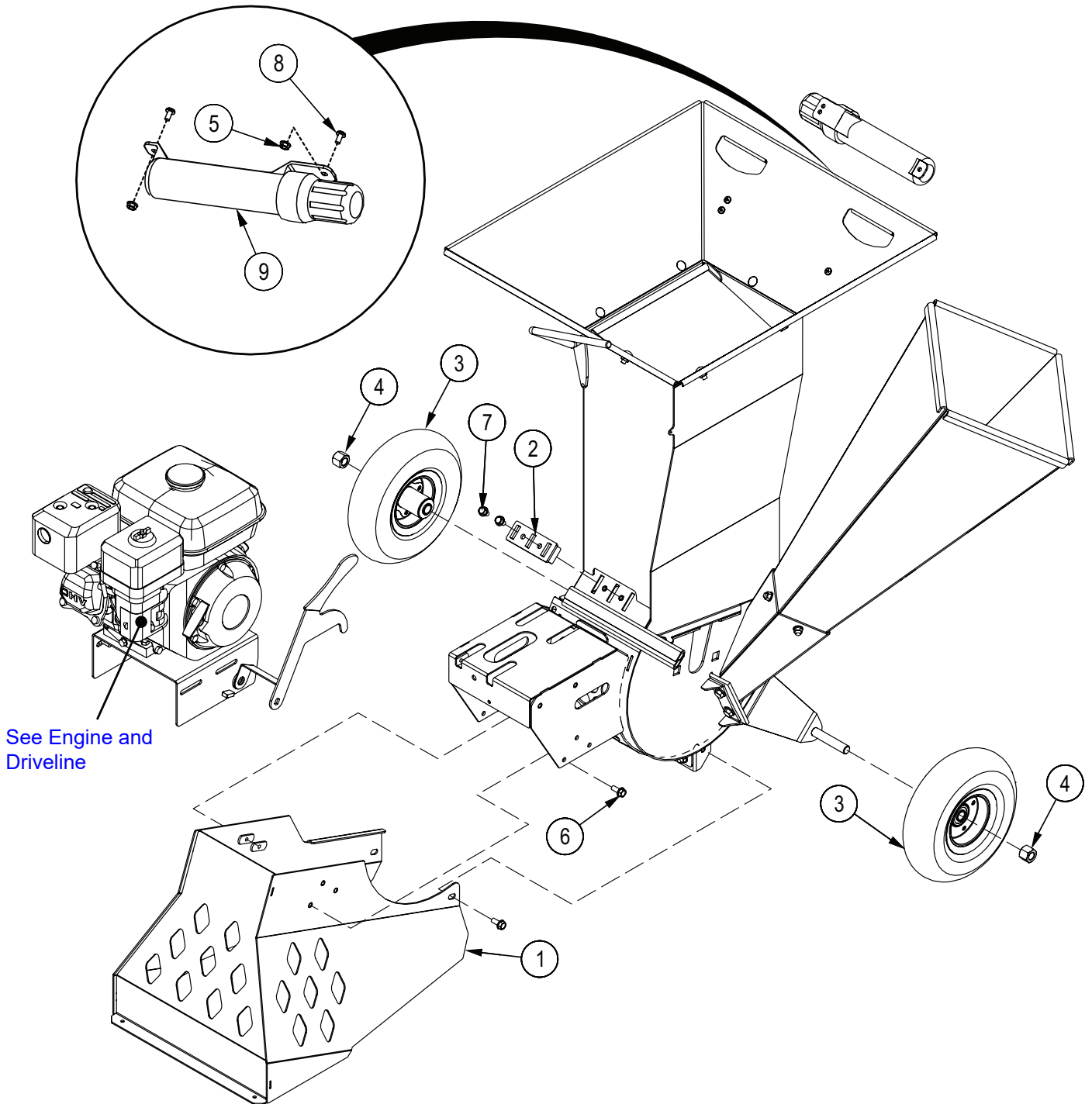
**Model and Serial
Number Location**

www.wallensteinequipment.com

Contents

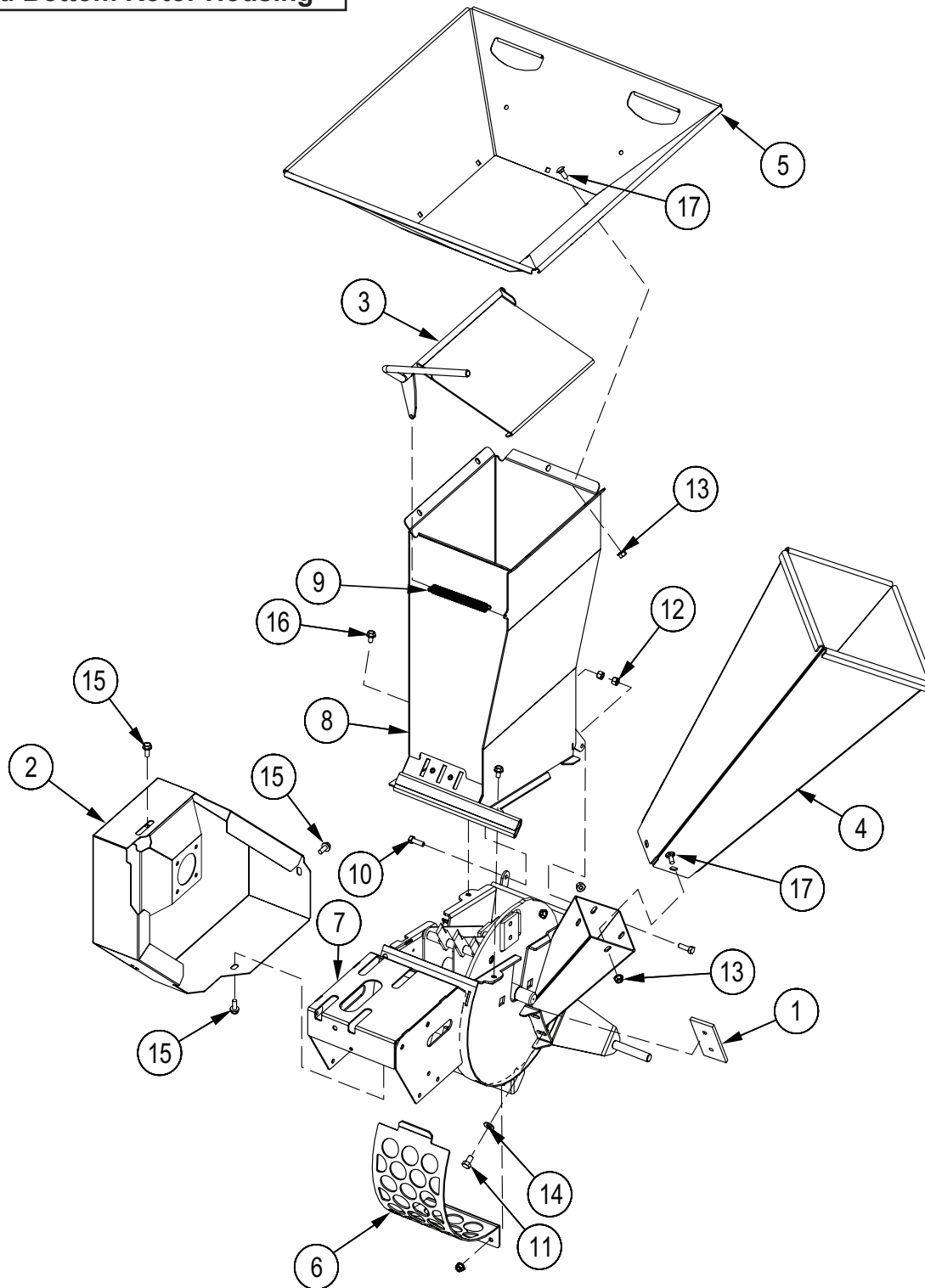
Main Parts	4
Upper and Bottom Rotor Housing	5
Engine and Driveline	6
Rotor Assembly	7
Decal Layout	8
Accessories	10
Common Bolt Torque Values	11

Main Parts



Item No.	Part No.	Description	Qty
1	1074W120	Shredder Guard	1
2	1073W125	Chop Block	1
3	Z91307	4.10-3.50-4NHS LRB 300lbs x 5/8"	2
4	Z72261	Hex Lock Nut, 5/8NC	2
5	Z72511	Serrated Flange Locknut, 1/4NC	3
6	Z76121	Flange Bolt, 5/16NC x 3/4"	8
7	Z76122	Flange Bolt, 5/16NC x 1/2"	2
8	Z78317	Machine Screw, 1/4NC x 1/2"	3
9	Z96503	Manual Tube, 3-1/2" Short	1

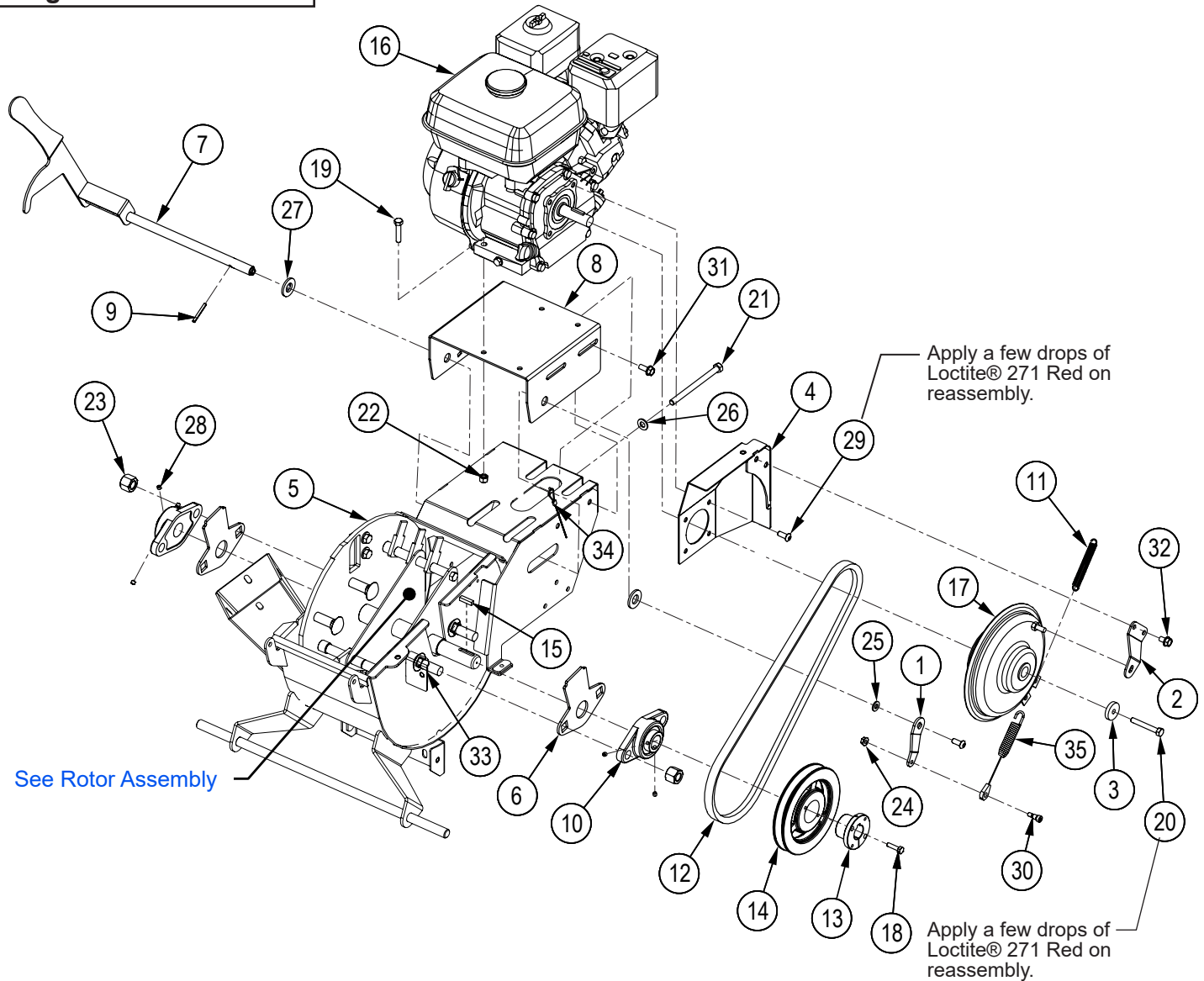
Upper and Bottom Rotor Housing



Item No.	Part No.	Description	Qty
1	1056M304	Knife, 3" Ledger	1
2	1073L233	Belt Shield	1
3	1073W107	Flap, Hopper	1
4	1073W112	Extension	1
5	1073W129	Hopper	1
6	1074L250	1-1/2" Round Screen	1
7	1074W102	Bottom Housing	1
8	1074W104	Upper Housing	1

Item No.	Part No.	Description	Qty
9	Z31301	Ext Spring, 17mm OD x 140mm x 0.080"	1
10	Z71210	Hex Bolt, 5/16NC x 1"	2
11	Z71372G8	Hex Bolt, 3/8NF x 5/8" G8	2
12	Z72221	Hex Lock Nut, 5/16NC	2
13	Z72521	Serrated Flange Locknut, 5/16NC	12
14	Z73131	SAE Washer, 3/8"	2
15	Z76121	Flange Bolt, 5/16NC x 3/4"	5
16	Z76122	Flange Bolt, 5/16NC x 1/2"	2
17	Z76221	Carriage Bolt, 5/16NC x 3/4"	12

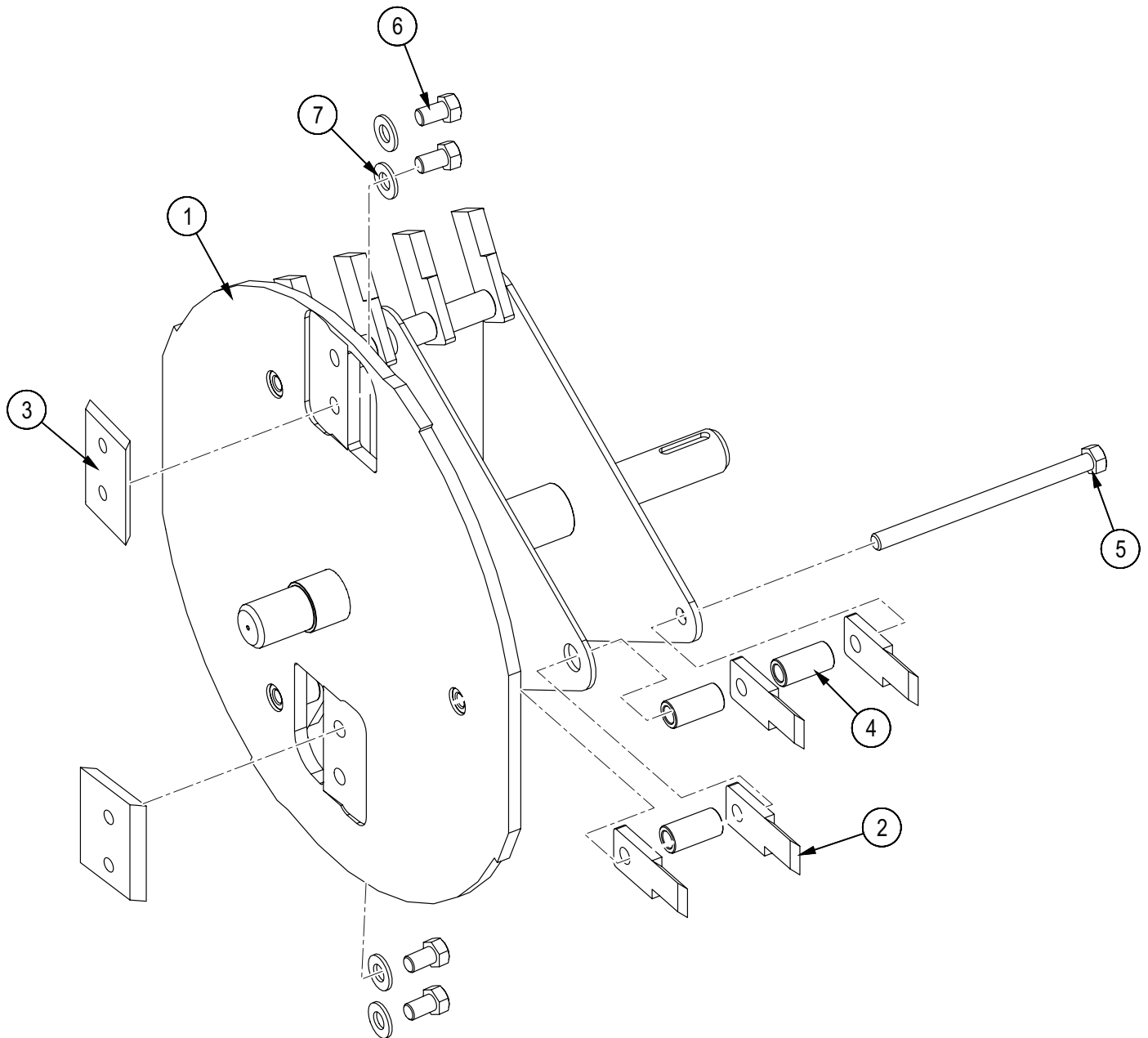
Engine and Driveline



Item No.	Part No.	Description	Qty
1	1073L268	Clutch Actuator Foot	1
2	1073L270	Clutch Keep	1
3	1073L255	Trap Washer	1
4	1073W124	Shield Mount	1
5	1074A101	Assembly, Rotor	1
6	1074L266	Bearing Cover Plate	2
7	1074W123	Clutch Actuator	1
8	1074W122	Engine Plate	1
9	Z14151	Roll Pin, 3/16" x 1-1/2"	1
10	Z25101	2-Bolt Flange Bearing, UCFL205-16	2
11	Z31304	Ext Spring, 1/2" OD x 2-1/2" x .063"	1
12	Z41161	Single Belt, B42	1
13	Z41510	Hub, L x 1"	1
14	Z41609	Sheave, MBL62 x L	1
15	Z46533	Key, 1/4" x 1/4" x 1"	1
16	Z47131	Honda GX200UTQH6, Rope	1
17	Z49301	Brake Clutch, 3.6" x 3/4"	1
18	Z71110	Hex Bolt, 1/4NC x 1"	2

Item No.	Part No.	Description	Qty
19	Z71215	Hex Bolt, 5/16NC x 1-1/2"	4
20	Z71277	Hex Bolt, 5/16NF x 2-1/4"	1
21	Z71390	Hex Bolt, 3/8NC x 5" Full Threads	1
22	Z72221	Hex Lock Nut, 5/16NC	4
23	Z72261	Hex Lock Nut, 5/8NC	4
24	Z72511	Serrated Flange Locknut, 1/4NC	1
25	Z73122	SAE Washer, 5/16"	1
26	Z73131	SAE Washer, 3/8"	1
27	Z73161	SAE Washer, 5/8"	2
28	Z74111	Set Screw, 1/4NC x 1/4"	4
29	Z75351	BHCS, 5/16NF x 3/4"	5
30	Z75523	Shoulder Bolt, 5/16" x 3/8"	1
31	Z76121	Flange Bolt, 5/16NC x 3/4"	4
32	Z76122	Flange Bolt, 5/16NC x 1/2"	2
33	Z76262	Carriage Bolt, 5/8NC x 1-3/4"	4
34	Z92110	Aircraft Cable, 1/16" x 24"	1
35	Z92117	Clutch Actuator Cable w/ Spring, 5/16" Eye	1

Rotor Assembly



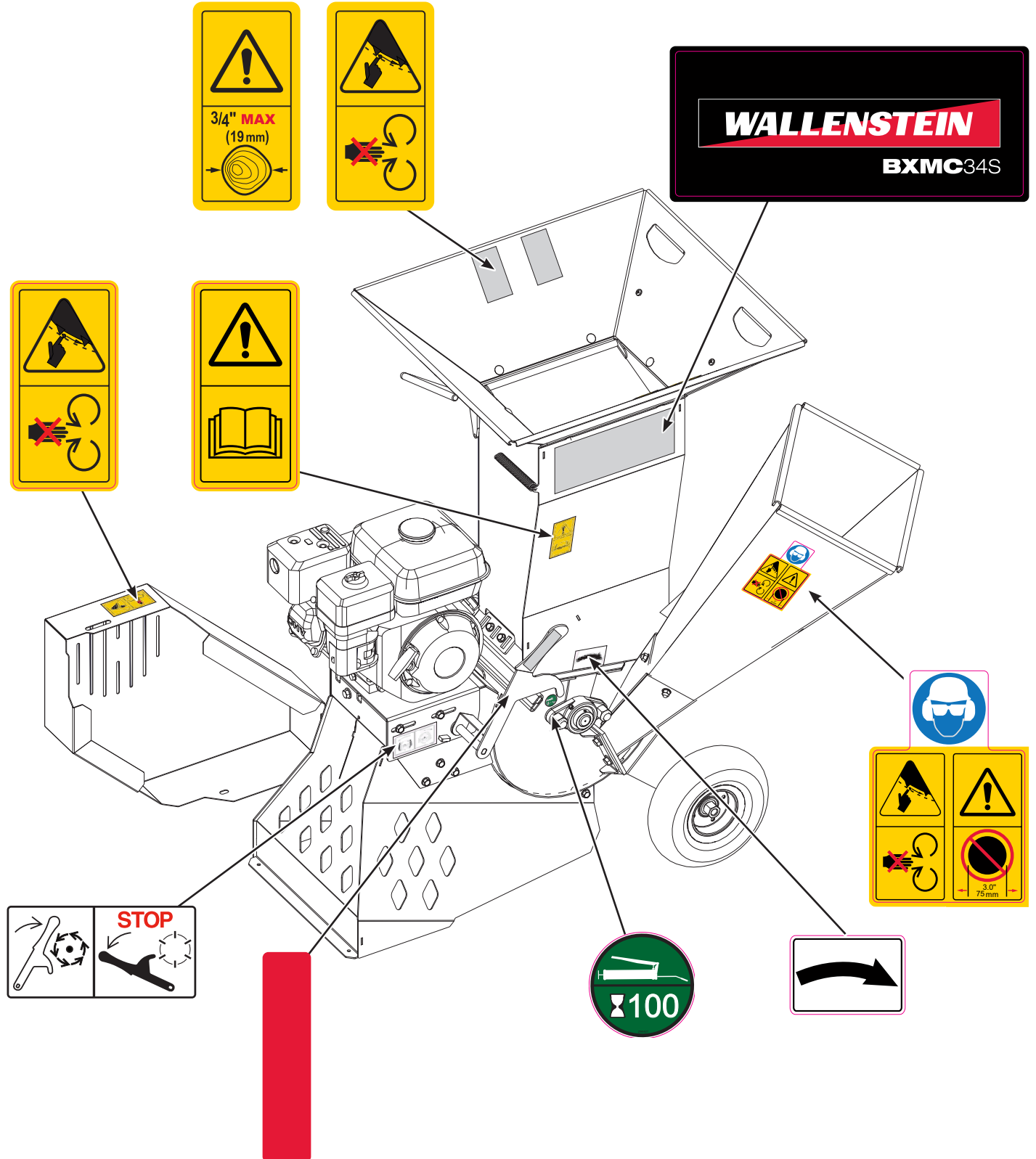
ECN0406

Item No.	Part No.	Description	Qty
1	1074W103	Rotor	1
2	1056M108	Knife, Shredder	12
3	1056M303	Knife, 3" Rotor	2
4	1073M104	Spacer, Shredder 1.25	9
5	Z71355G8	Hex Bolt, 3/8NC x 5-1/2" G8	3
6	Z71372G8	Hex Bolt, 3/8NF x 5/8" G8	4
7	Z73131	SAE Washer, 3/8"	4

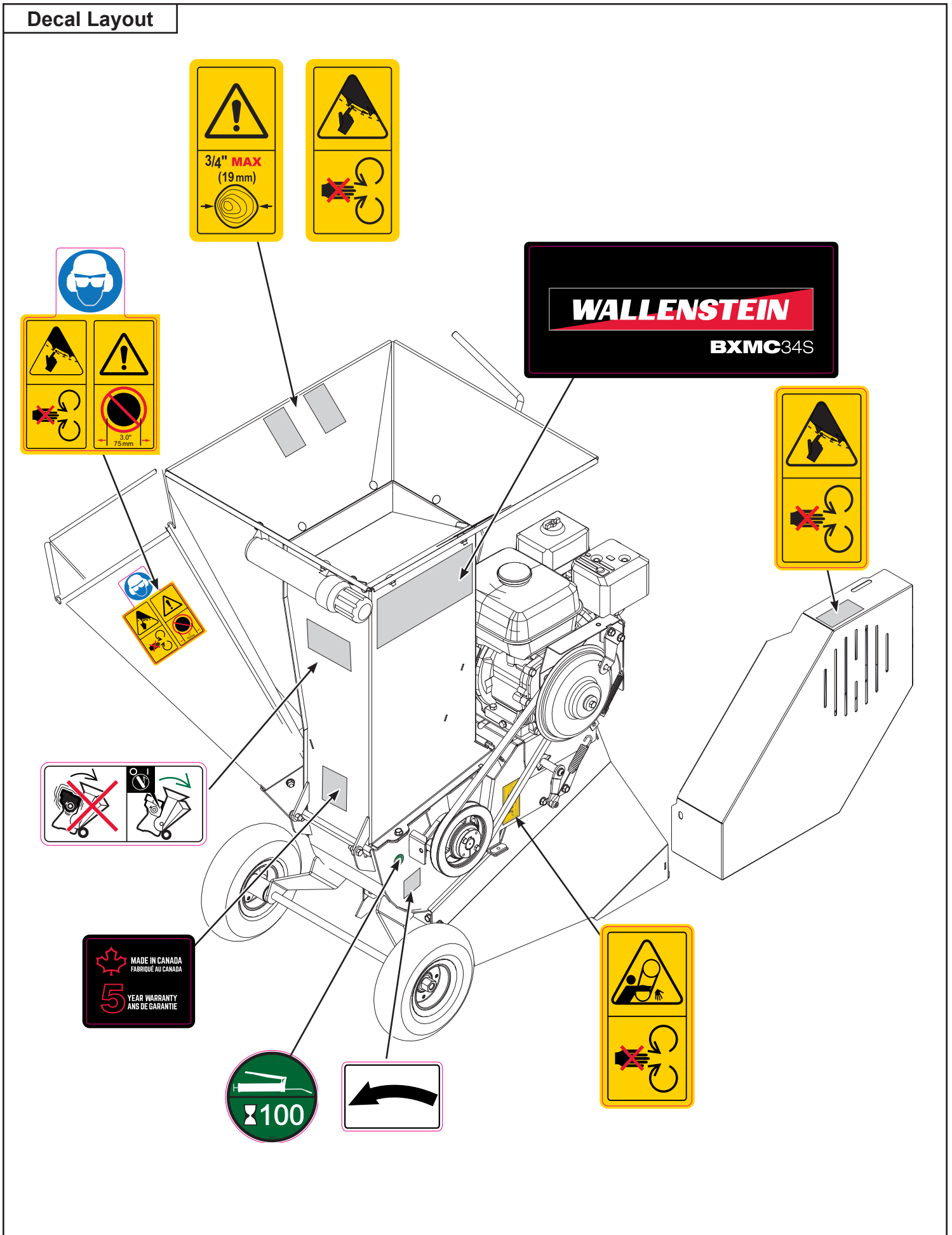
Decal Layout

IMPORTANT! If parts are replaced that have safety signs on them, new signs must be applied. Safety signs must always be replaced if they become damaged, are removed, or become illegible.

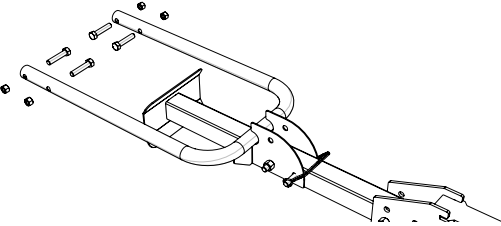
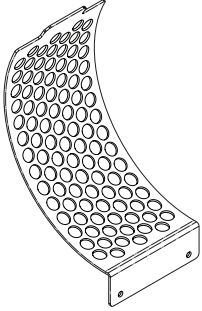
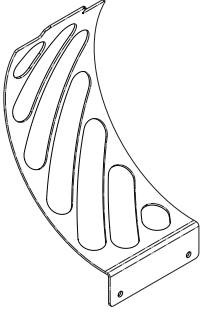
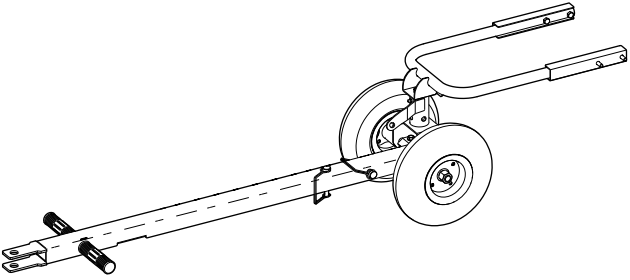
Safety signs are included in the product decal kit available from your authorized dealer. Decals are not available separately.



Decal Layout



Accessories

	<p>Ledger Clearance Setting Gauge – P/N 1012L269</p> <p>Used to set the critical clearances between the ledger knife and the rotor chipper blade.</p>
	<p>Garden Tractor Hitch – P/N 1082A355</p> <p>Used to tow the chipper around the work site with a garden tractor or ATV.</p>
	<p>Screen 3/4" (19 mm) Round Holes – P/N 1074L240</p> <p>For BXMC34S and BXMC3409S models only.</p> <p>Produces a finer mulch.</p>
	<p>Screen 1-1/2" x 7" (38 mm x 178 mm) Slotted Holes – P/N 1074L260</p> <p>For BXMC34S and BXMC3409S models only.</p> <p>Helps to prevent clogs when working with wet material.</p>
	<p>Jockey Wheel – P/N 1082A356</p> <p>For all models.</p> <p>Makes it easier to move the chipper around the site. Handle tips up when not in use. Wheels can be turned and locked, if working on an incline.</p> <p>Use the handle to tow the chipper around the work site with a garden tractor or ATV.</p>


Common Bolt Torque Values

Checking Bolt Torque

The tables shown give correct torque values for various bolts and capscrews. Tighten all bolts to the torque values specified in the table, unless indicated otherwise. Check tightness of bolts periodically.

IMPORTANT! If replacing hardware, use fasteners of the same grade.

IMPORTANT! Torque figures indicated in the table are for non-greased or non-oiled threads. Do not grease or oil threads unless indicated otherwise. When using a thread locker, increase torque values by 5%.

 **NOTE:** Bolt grades are identified by their head markings.

Imperial Bolt Torque Specifications

Bolt Diameter	Torque Value					
	SAE Gr. 2		SAE Gr. 5		SAE Gr. 8	
	lbf•ft	N•m	lbf•ft	N•m	lbf•ft	N•m
1/4"	6	8	9	12	12	17
5/16"	10	13	19	25	27	36
3/8"	20	27	33	45	45	63
7/16"	30	41	53	72	75	100
1/2"	45	61	80	110	115	155
9/16"	60	95	115	155	165	220
5/8"	95	128	160	215	220	305
3/4"	165	225	290	390	400	540
7/8"	170	230	420	570	650	880
1"	225	345	630	850	970	1320



SAE Gr. 2



SAE Gr. 5



SAE Gr. 8

Metric Bolt Torque Specifications

Bolt Diameter	Torque Value			
	Gr. 8.8		Gr. 10.9	
	lbf•ft	N•m	lbf•ft	N•m
M3	0.4	0.5	1.3	1.8
M4	2.2	3	3.3	4.5
M6	7	10	11	15
M8	18	25	26	35
M10	37	50	52	70
M12	66	90	92	125
M14	83	112	116	158
M16	166	225	229	310
M20	321	435	450	610
M30	1,103	1 495	1,550	2 100



8.8



10.9