



BX62S Chipper Parts Manual

S/N162S00846 & After



Foreword

EMB Mfg. has prepared this parts manual to assist customers in ordering quality OEM replacement parts.

Proper and regular service and replacing old, worn or broken parts with the correct Wallenstein parts are essential to prolonging the life of your Wallenstein product. Please refer to this manual before ordering any replacement parts.

All information contained in this parts manual is based on the latest product specification available at the time of printing this manual. If your product differs from the specifications contained within this manual contact EMB Mfg. for information.

EMB reserves the right to alter specifications on their products at any time.

Reproduction of this parts manual of any kind is prohibited without prior written permission from EMB Mfg.

Note: Log splitters with factory installed light kits will have a VIN number included. The last six numbers of this VIN number are the splitters serial number

Example: 2E9US1112BSXXXXXX

Serial Number

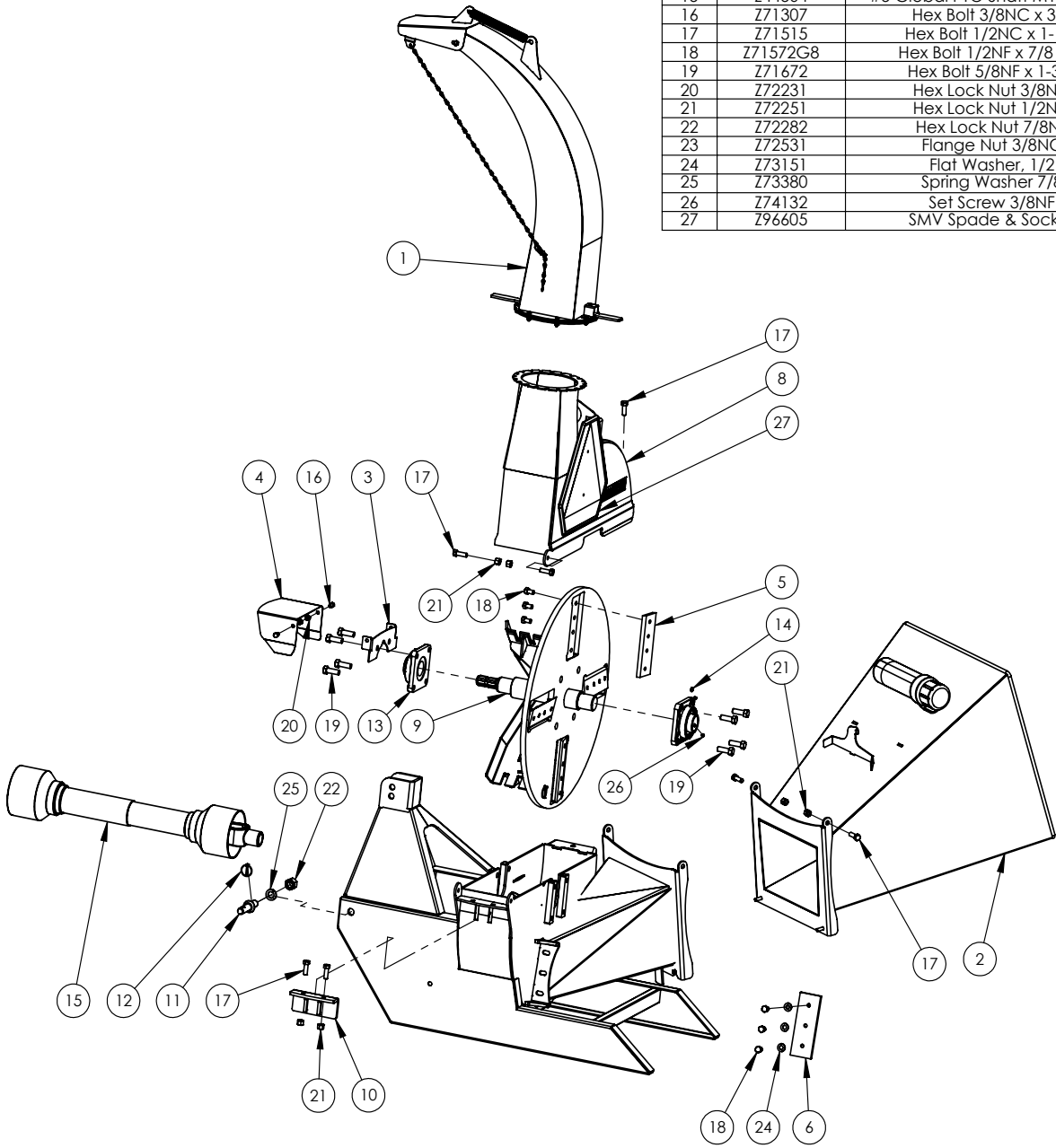
Table of Contents

Main Parts Breakdown	5
Discharge Chute Parts Breakdown	7
Hopper Parts Breakdown	9
Binacchi PTO Parts Breakdown	10
Decal Breakdown	12

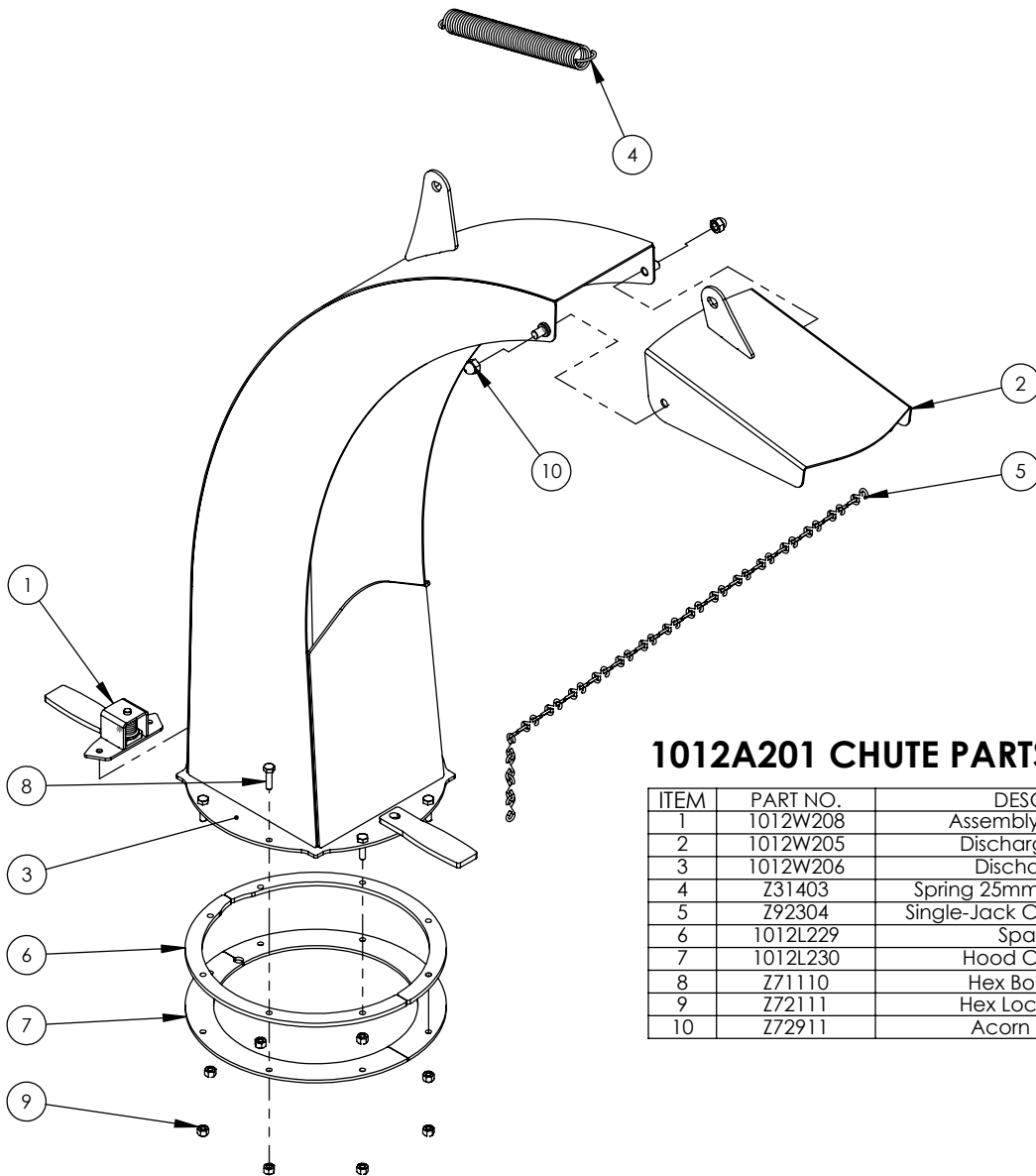
This Page is Intentionally Blank

BX62 MAIN PARTS BREAKDOWN

ITEM	PART NO.	DESCRIPTION	QTY
1	1012A201	Assembly, Discharge Chute	1
2	1012A202	Self-feed Hopper	1
3	1012L206	PTO Cover Mounting Bracket	1
4	1012L212	PTO Cover	1
5	1012M203	Knife, BX62 Rotor	4
6	1012M204	Knife, BX62 Ledger	1
7	1012W201	Housing, Bottom Rotor	1
8	1012W202	Housing, Upper Rotor	1
9	1012W203	Rotor, Four Blade PTO Drive	1
10	1012W204	Twig Breaker	1
11	Z11431	Implement Pin 7/8x5-1/2	2
12	Z12110	Latch Pin 3/16	3
13	Z25203	4-Bolt Bearing 2" Bore	2
14	Z29202	Grease Zerk 1/4NF	2
15	Z44504	#5 Global PTO Shaft M10 Shear	1
16	Z71307	Hex Bolt 3/8NC x 3/4	2
17	Z71515	Hex Bolt 1/2NC x 1-1/2	7
18	Z71572G8	Hex Bolt 1/2NF x 7/8 Gr8	19
19	Z71672	Hex Bolt 5/8NF x 1-3/4	8
20	Z72231	Hex Lock Nut 3/8NC	2
21	Z72251	Hex Lock Nut 1/2NC	6
22	Z72282	Hex Lock Nut 7/8NF	2
23	Z72531	Flange Nut 3/8NC	2
24	Z73151	Flat Washer, 1/2	3
25	Z73380	Spring Washer 7/8	2
26	Z74132	Set Screw 3/8NF	4
27	Z96605	SMV Spade & Socket	1



This Page is Intentionally Blank



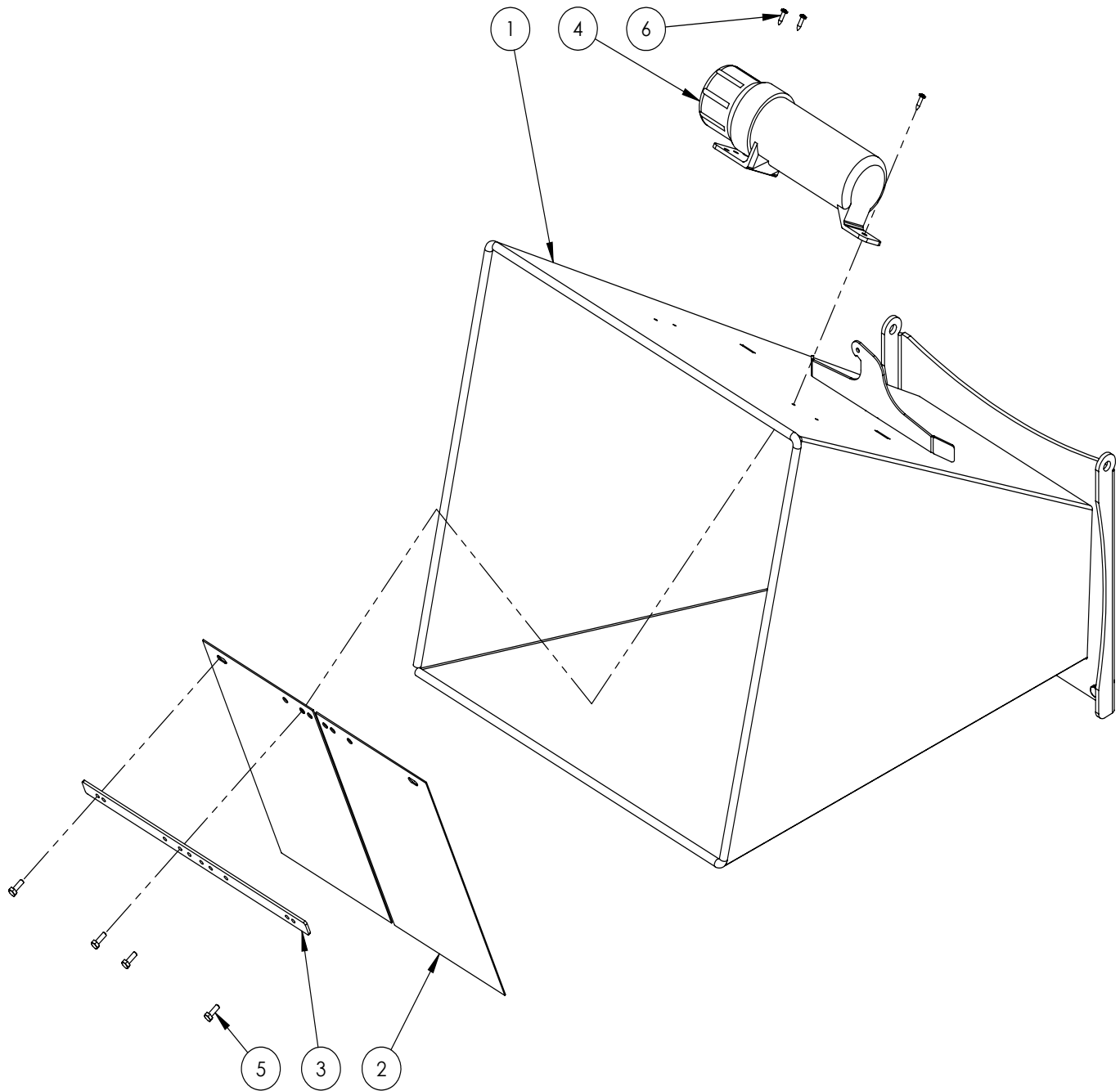
1012A201 CHUTE PARTS BREAKDOWN

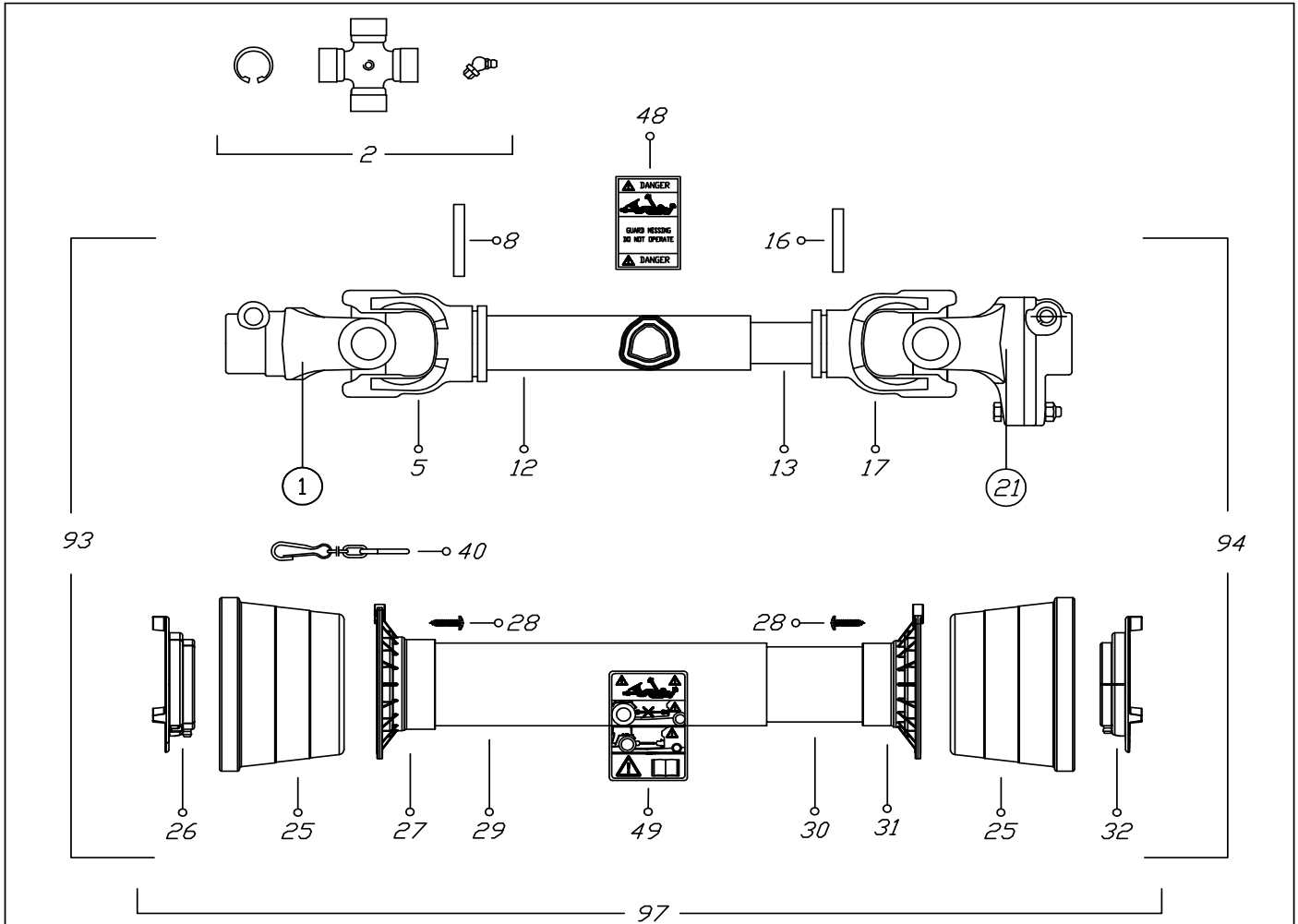
ITEM	PART NO.	DESCRIPTION	QTY
1	1012W208	Assembly, Hood Latch	1
2	1012W205	Discharge Deflector	1
3	1012W206	Discharge Chute	1
4	Z31403	Spring 25mm x 178mm Heavy	1
5	Z92304	Single-Jack Chain #10 [35 links]	3.2
6	1012L229	Spacer Ring	2
7	1012L230	Hood Capture Ring	2
8	Z71110	Hex Bolt 1/4NC x 1	8
9	Z72111	Hex Lock Nut 1/4NC	8
10	Z72911	Acorn Nut, 3/8NC	2

This Page is Intentionally Blank

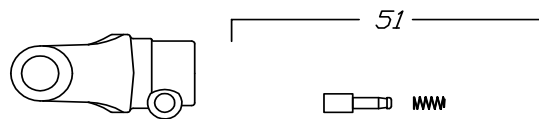
BX62S HOPPER PARTS BREAKDOWN

ITEM	PART NO.	DESCRIPTION	QTY
1	1012W207	Hopper, Self-Feed BX62	1
2	1011S103	Flap, Hopper	2
3	1012L251	Strap, Hopper Flap	1
4	Z96503	Manual Tube 3-1/2 Short	1
5	Z71107	Hex Bolt 1/4NC x 3/4	4
6	Z76712	Self-tapping Screw #10	3

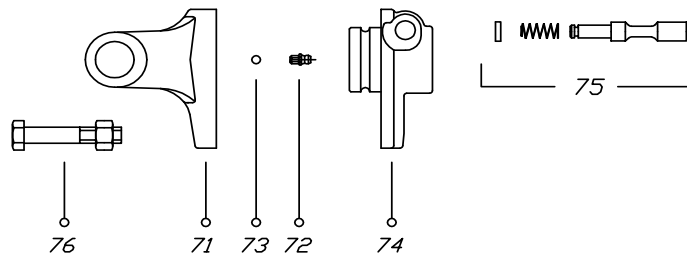




①



②①



VIETATE LE RIPRODUZIONI NON AUTORIZZATE
NOT PERMITTED AL RIGHTS RESERVED

TOUTE REPRODUCTION NON AUTORISEE EST INTERDITE
NICHT GENEHMIGTE VERVIELFAELTUNGEN SIND UNZULASSIG

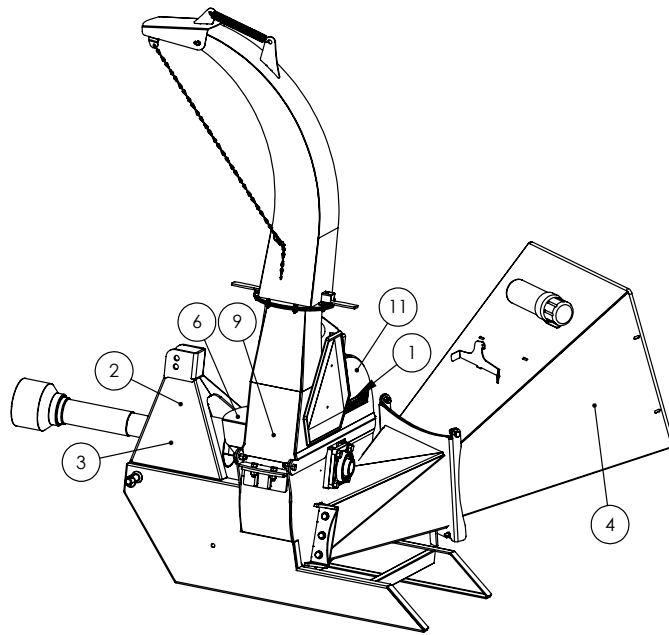
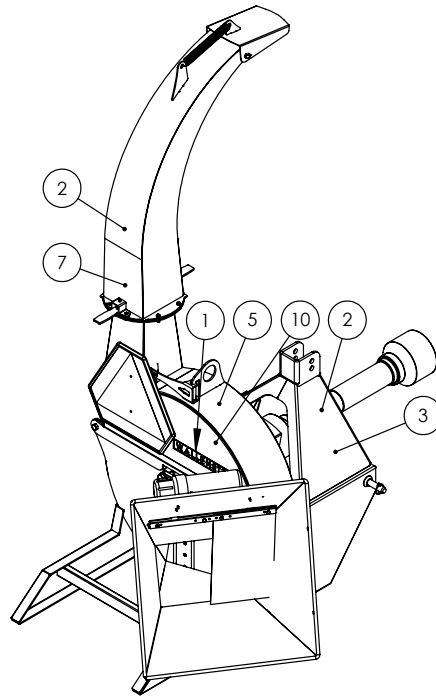
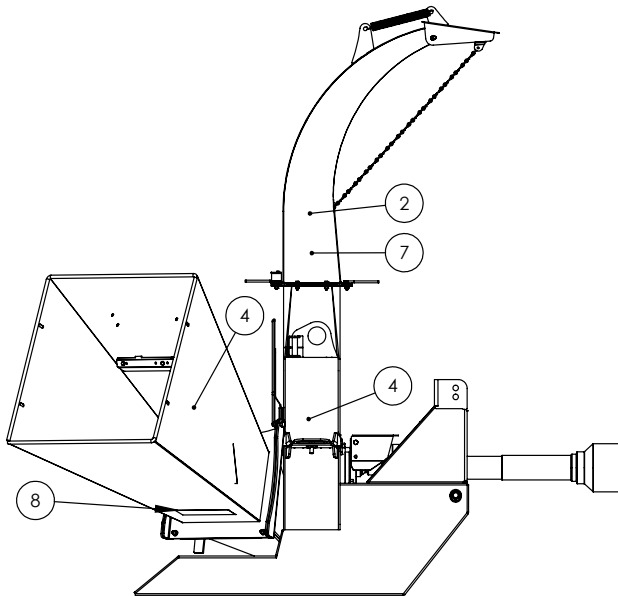
CODICE C.E.D.
B4N061USA60098

DATA
25/03/10

Binacchi SPARE PARTS LIST : B5D056US098001			
POS.	DESCRIPTION	Q.	Part #
01	YOKE	1	0800503
02	CROSS JOURNAL ASS.	2	08205
05	OUTER TUBE YOKE	1	08005021
08	FLEXIBLE PIN	1	098701075
12	CM. 100 CARDAN TUBE(*)	1	09881523100
13	CM. 100 CARDAN TUBE(*)	1	09881454100
16	FLEXIBLE PIN	1	0987001065
17	INNER TUBE YOKE	1	08005011
21	SHEAR BOLT	1	08805A604633
25	CONE SHIELD BELL 05-06	2	021906C001
26	OUTER BEARING 05	1	025505C001
27	OUTER BASE CONE 05-06	1	025406C001
28	SCREW	6	0998052242
29	OUTER SAFETY TUBE	1	0988981NB5056
30	INNER SAFETY TUBE	1	0988975NB5056
31	INNER BASE CONE 05-06	1	025406C002
32	INNER BEARING 05	1	025505C002
40	CHAIN	1	0252000001
48	LABEL DANGER OUTER DRIVE TUBE	1	09872006
49	EXTERNAL SHIELD LABEL	1	09872003
51	COMPLETE PUSH BUTTTON	1	0986014047
71	YOKE FOR LB5	1	08896905
72	GREASE NIPPLE	1	0984010150
73	STEEL BALL	23	098680104
74	HUB	1	088965A60
75	PUSH PIN SET	1	0986014075
76	NUT AND BOLT M10 x 1.5 x 55 10.9	1	Z19407 (5 Pack)
93	OUTER HALF SHAFT	1	B5056US2
94	INNER HALF SHAFT	1	B5056US1098001
97	SAFETY GUARD	1	083US05056

BX62S DECAL BREAKDOWN

ITEM	PART NO.	DESCRIPTION	QTY
1	Z94056	WALLENSTEIN Decal	2
2	Z94019	1" Dia. Made in Canada	4
3	Z94172	BX62S Model	2
4	Z94120	DANGER - Rotating Blades	3
5	Z94119	CAUTION - Read Manual	1
6	Z94118	DANGER - Rotating Driveline Hazard	1
7	Z94117	DANGER - Thrown Object Hazard	2
8	Z94602	Reflector	1
9	Z94143	121 dB Nose Level	1
10	Z94144	RH Rotation	1
11	Z94145	LH Rotation	1



Two Panel Decals BX62S

Z94056



Z94602



Z94143



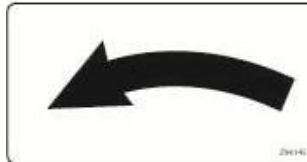
Z94144



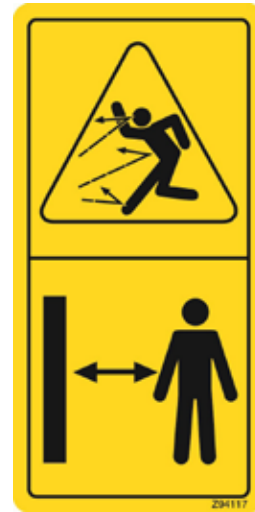
Z94019



Z94145



Z94117



Z94172



Z94120



Z94118

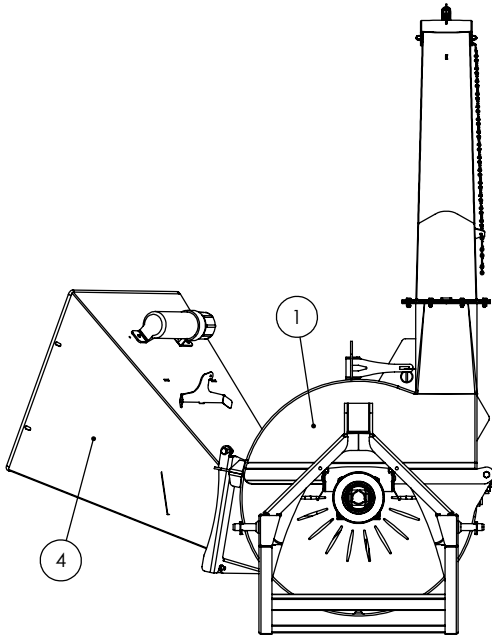


Z94119

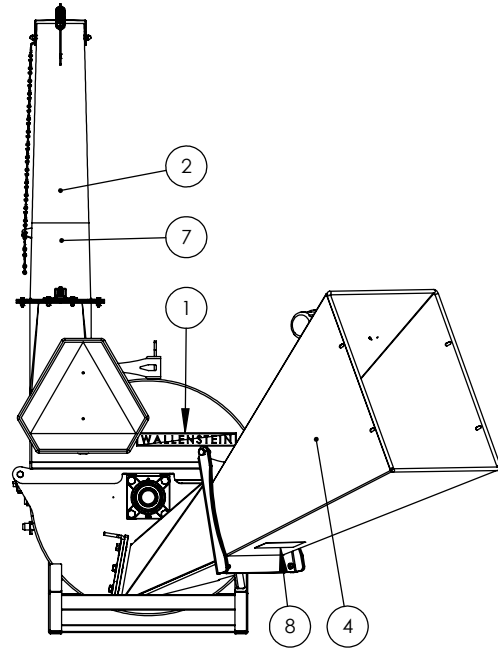


BX62S DECAL BREAKDOWN

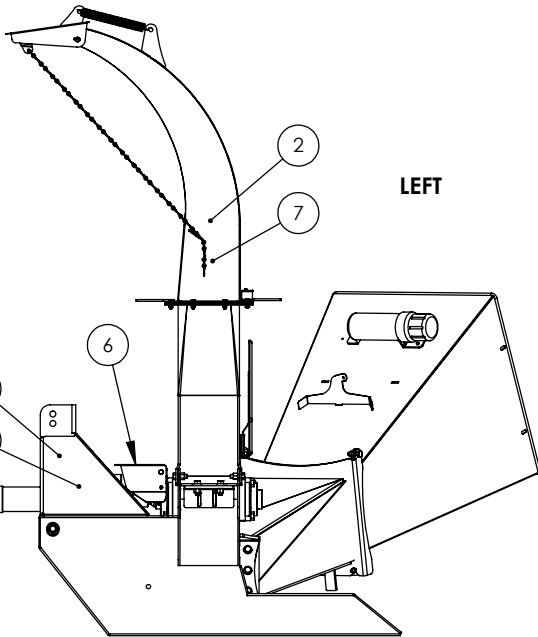
ITEM	PART NO.	DESCRIPTION	QTY
1	Z94056	WALLENSTEIN Decal	2
2	Z94019	1" Dia. Made In Canada	5
3	Z94172	BX62S Model	2
4	Z94007	DANGER - Rotating Blades	3
5	Z94006	CAUTION - Read Manual	1
6	Z94009	DANGER - Rotating Driveline Hazard	1
7	Z94008	DANGER - Thrown Object Hazard	3
8	Z94602	Reflector	1



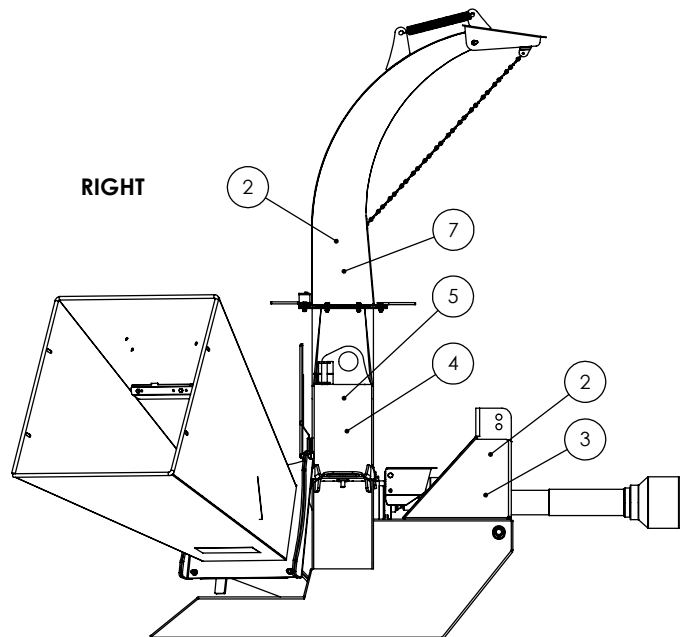
FRONT



BACK



LEFT



RIGHT

Decals BX62S

Z94056



Z94172



Z94006



Z94007



Z94602



Z94019



Z94009



Z94008





WALLENSTEIN Products Manufactured by:

EMB MFG Inc.

4144 Boomer Line
St. Clements, Ontario
Canada N0B 2M0
Phone: 1-877-695-9283
Fax: 519-699-4146
www.embmfg.com