



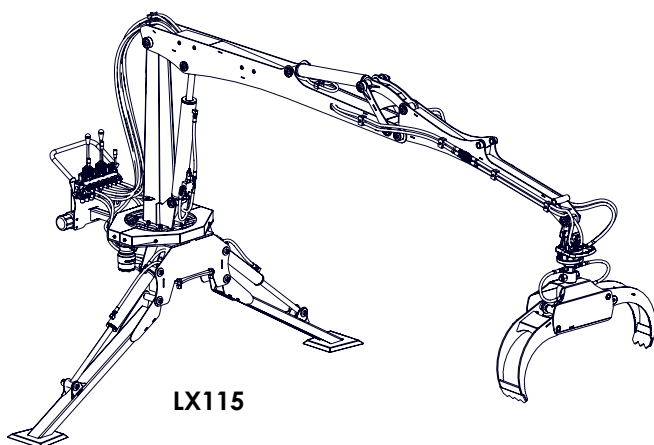
EMB Manufacturing Inc.
4144 Boomer Line · St. Clements, On · N0B 2M0 · Canada
Ph: (519) 699-9283 · Fax: (519) 699-4146
www.embmfg.com

LX115 Timber Talon Grapple

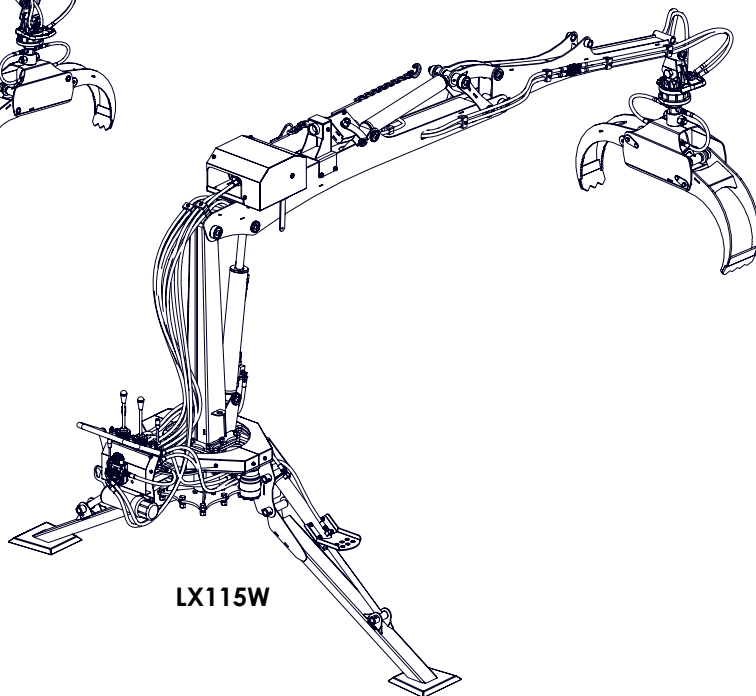
Parts Manual

Models LX115m LX115W

Starting with S/N's 115X51 and on



LX115



LX115W



Refer to the operators manual for safe operation and maintenance

Foreword

EMB Mfg. has prepared this parts manual to assist customers in ordering quality OEM replacement parts.

Proper and regular service and replacing old, worn or broken parts with the correct OEM parts are essential to prolonging the life of your EMB product. Please refer to this manual before ordering any replacement parts.

All information contained in this parts manual is based on the latest product specification available at the time of printing this manual. If your product differs from the specifications contained within this manual contact EMB Mfg. for information.

EMB reserves the right to alter specifications on their products at any time.

Reproduction of this parts manual of any kind is prohibited without prior written permission from EMB Mfg.

For parts and information please contact your dealer. If your dealer is no longer available please go to our website: <http://www.wallensteinequipment.com> and click on "FIND A DEALER NEAR YOU" for information on a local dealer.

Table of Contents

Bolt Torque	4
Hydraulic Fitting Torque	5
Wheel Lug Torque	5
LX115 / LT60 Variation Chart	6
Control Panel Ass'y	7
Stabilizer Ass'y	8
Slew Housing Ass'y	9
Main Tower Ass'y	10
Main Tower Bearing Ass'y	11
Main Boom Ass'y	12
Dipper Boom Ass'y	13
Grapple Fork Ass'y	14
Grapple Ass'y	14
Power Pack Engine / Pump	15
Hydraulic Winch Kit	16
Hydraulic Winch Assembly	17
Hydraulic Winch Control Ass'y	18
Top Cable Pulley Detail	19
Winch Drum Detail	19
Cylinders & Seal Installation	20
Seal Kits	22
Hydraulic Hose List	23
Hydraulic Schematic	24
Hydraulic Schematic - Winch Option	25
Hydraulic Schematic - Power Pack	25
Hydraulic Schematic - Tractor Hyd. Kit	25
Labels	26
Accessories	27

Maintenance should be performed by
trained personnel only.



Refer to the operators
manual for safe
operation and
maintenance

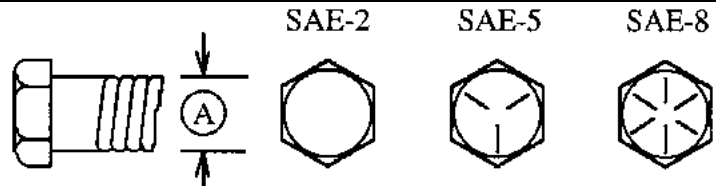
Bolt Torque

CHECKING BOLT TORQUE

The tables shown below give correct torque values for various bolts and capscrews. Tighten all bolts to the torques specified in chart unless otherwise noted. Check tightness of bolts periodically, using bolt torque chart as a guide. Replace hardware with the same strength bolt.

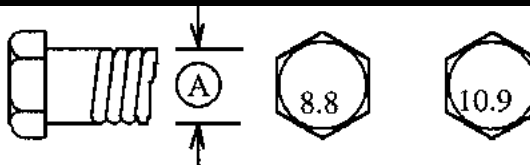
ENGLISH TORQUE SPECIFICATIONS

Bolt Diameter "A"	Bolt Torque*					
	SAE 2 (N.m) (lb-ft)		SAE 5 (N.m) (lb-ft)		SAE 8 (N.m) (lb-ft)	
1/4"	8	6	12	9	17	12
5/16"	13	10	25	19	36	27
3/8"	27	20	45	33	63	45
7/16"	41	30	72	53	100	75
1/2"	61	45	110	80	155	115
9/16"	95	60	155	115	220	165
5/8"	128	95	215	160	305	220
3/4"	225	165	390	290	540	400
7/8"	230	170	570	420	880	650
1"	345	225	850	630	1320	970



METRIC TORQUE SPECIFICATIONS

Bolt Diameter "A"	Bolt Torque*			
	8.8 (N.m) (lb-ft)		10.9 (N.m) (lb-ft)	
M3	0.5	0.4	1.8	1.3
M4	3	2.2	4.5	3.3
M5	6	4	9	7
M6	10	7	15	11
M8	25	18	35	26
M10	50	37	70	52
M12	90	66	125	92
M14	140	103	200	148
M16	225	166	310	229
M20	435	321	610	450
M24	750	553	1050	774
M30	1495	1103	2100	1550
M36	2600	1917	3675	2710



Torque figures indicated above are valid for non-greased or non-oiled threads and heads unless otherwise specified. Therefore, do not grease or oil bolts or capscrews unless otherwise specified in this manual. When using locking elements, increase torque values by 5%.

* Torque value for bolts and capscrews are identified by their head markings.

Hydraulic Fitting Torque

Tightening Flare Type Tube Fittings *

1. Check flare and flare seat for defects that might cause leakage.
2. Align tube with fitting before tightening.
3. Lubricate connection and hand tighten swivel nut until snug.
4. To prevent twisting the tube(s), use two wrenches. Place one wrench on the connector body and with the second tighten the swivel nut to the torque shown.

Tube Size OD (in.)	Nut Size Across Flats (in.)	Torque Value*		Recommended Turns To Tighten (After Finger Tightening)	
		(N.m)	(lb-ft)	(Flats)	(Turn)
3/16	7/16	8	6	1	1/6
1/4	9/16	12	9	1	1/6
5/16	5/8	16	12	1	1/6
3/8	11/16	24	18	1	1/6
1/2	7/8	46	34	1	1/6
5/8	1	62	46	1	1/6
3/4	1-1/4	102	75	3/4	1/8
7/8	1-3/8	122	90	3/4	1/8

The torque values shown are based on lubricated connections as in reassembly.

Wheel Lug Torque

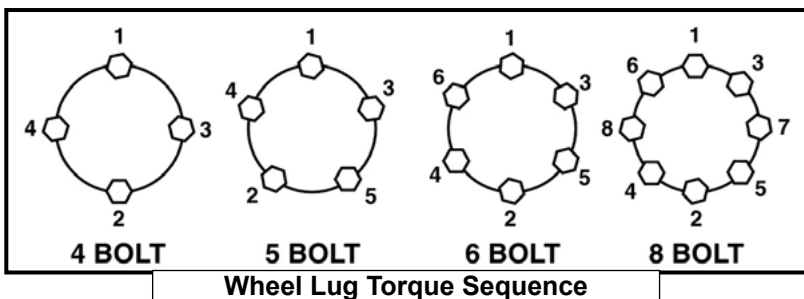
It is extremely important safety procedure to apply and maintain proper wheel mounting torque on your trailer axle. Torque wrenches are the best method to assure the proper amount of torque is being applied to a fastener.

Wheel lugs should be torqued before first road use and after each wheel removal. Check and re torque after the first 16Km (10 miles), 40Km (25 miles), and again at 80Km (50 miles). Check periodically thereafter.

Note: Wheel lugs must be applied and maintained at the proper torque levels to prevent loose wheels, broken studs, and possible dangerous separation of wheels from your axle.

- Start all lugs by hand to prevent cross threading.
- Tighten lugs in sequence, per wheel lug torque sequence chart.
- The tightening of the fasteners should be done in stages. Following the recommended sequence, tighten fasteners per wheel torque requirements chart.

Wheel Torque Requirements				
Wheel Size	Torque Unit	1st Stage	2nd Stage	3rd Stage
8"	ft-lbs	12 - 20	30 - 35	45 - 55
	Nm	16 - 26	39 - 45.5	58.5 - 71.5
12"	ft-lbs	20 - 25	35 - 40	50 - 60
	Nm	26 - 32.5	45.5 - 52	65 - 78
13"	ft-lbs	20 - 25	35 - 40	50 - 60
	Nm	26 - 32.5	45.5 - 52	65 - 78
14"	ft-lbs	20 - 25	50 - 60	90 - 120
	Nm	26 - 32.5	65 - 78	117 - 156
15"	ft-lbs	20 - 25	50 - 60	90 - 120
	Nm	26 - 32.5	65 - 78	117 - 156
16"	ft-lbs	20 - 25	50 - 60	90 - 120
	Nm	26 - 32.5	65 - 78	117 - 156

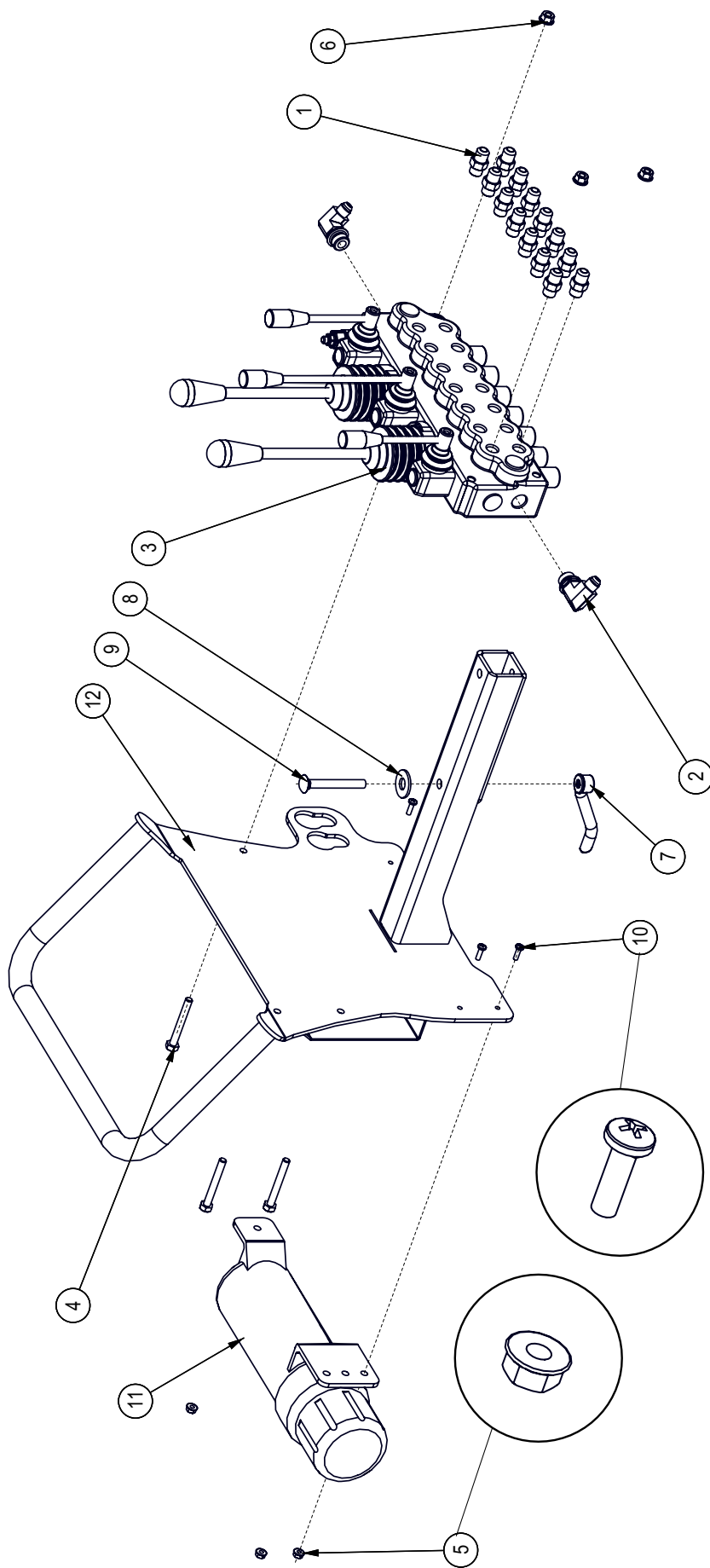


LX115 / LT60 Variation Chart

The LX / LT series of Timber Talon Grapples and Log Trailers are available with different options and features. Use the chart below to identify your particular model when ordering parts.

LX115 / LT60 Timber Talon Comparison Chart		Boom Mounting Combination		Options			
				Three Point Hitch	Trailer / Bunk Posts	Dual Speed Winch	Highway Kit
	Grapple Boom	LX115					
	Grapple Boom Off Road Trailer	LX115	LT60		✓		
	Grapple Boom Trailer - Highway Kit	LX115	LT60H		✓		✓
	Grapple Boom 3 Point Hitch Kit	LX115	L400	✓			
W i n c h M o d e l s	Grapple Boom with Winch	LX115W				✓	
	Grapple Boom with Winch Off Road Trailer	LX115W	LT60		✓	✓	
	Grapple Boom with Winch Trailer - Highway Kit	LX115W	LT60H		✓	✓	✓
	Grapple Boom with Winch 3 Point Hitch Kit	LX115W	L400	✓		✓	

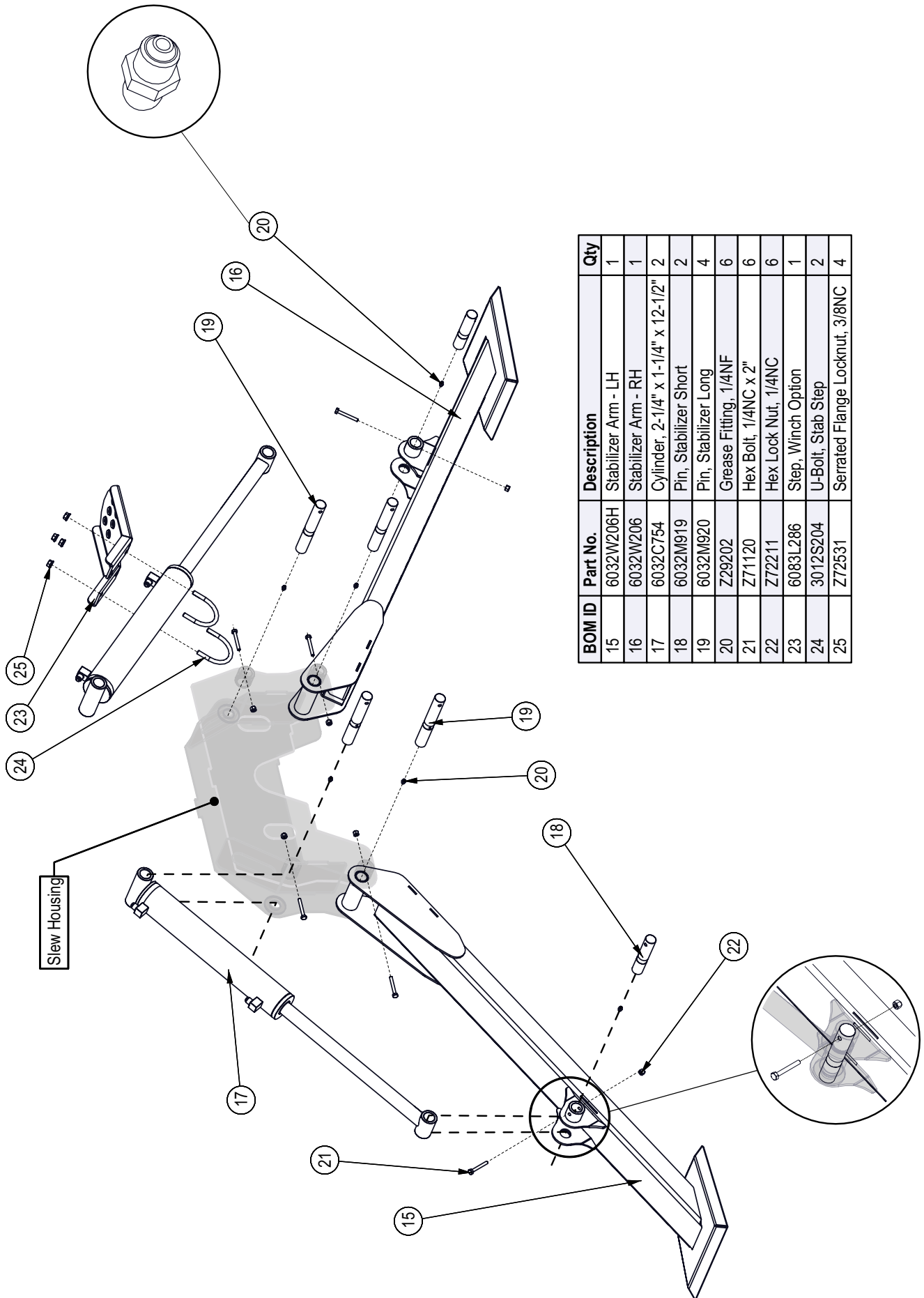
Control Panel Ass'y



BOM ID	Part No.	Description	Qty
8	Z73252	PTFE Washer, 1/2" x .101"	1
9	Z76238	Carriage Bolt, 3/8NC x 3"	1
10	Z78312	Machine Screw, #10NC x 5/8"	3
11	Z96503	Manual Tube, 3-1/2" Short	1
12	6030W142	Console Arm	1

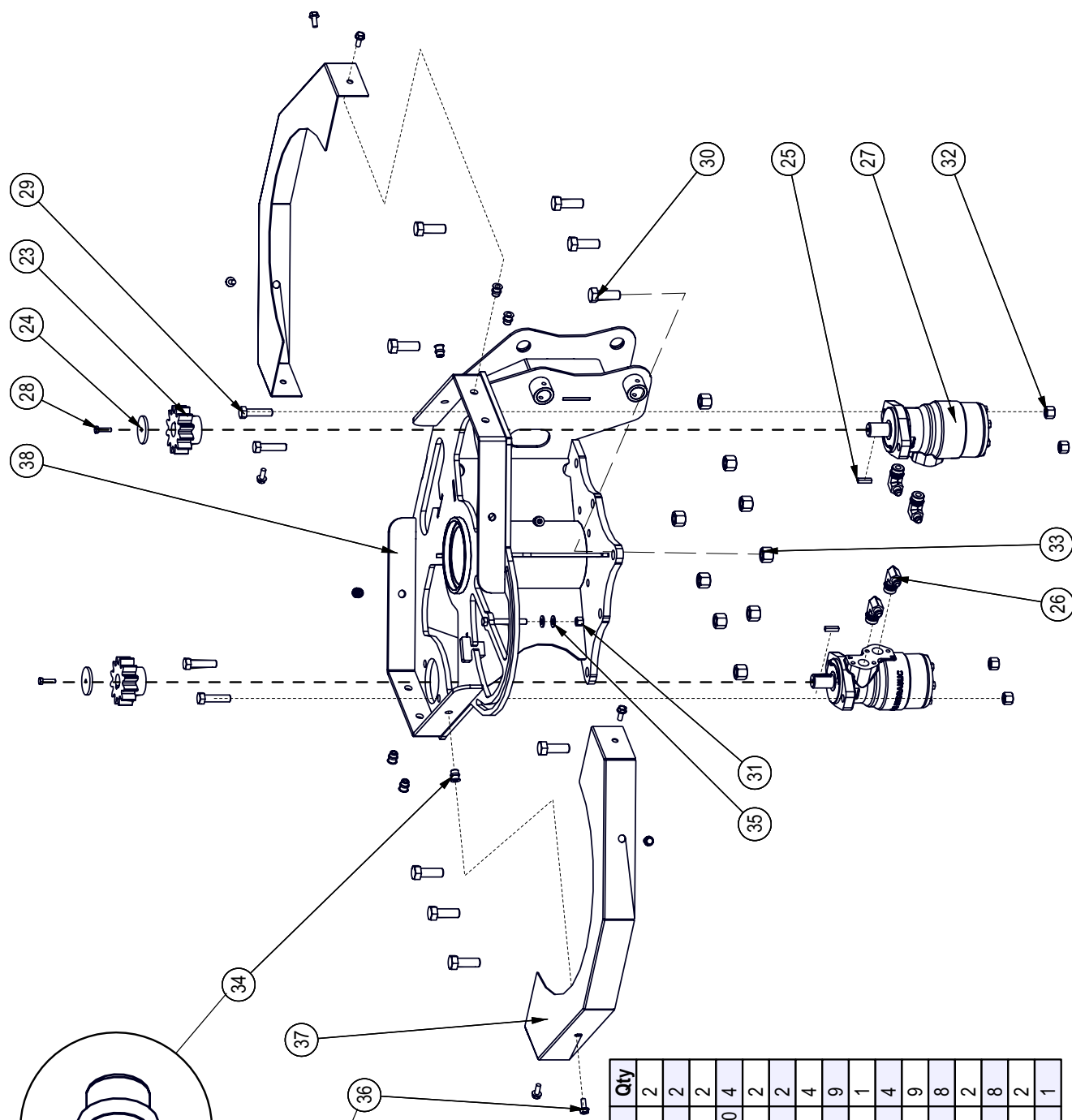
BOM ID	Part No.	Description	Qty
1	Z51641	Straight, MJIC x MORB 0606	14
2	Z51655	Elbow 90, MJIC x MORB 0608	2
3	Z56206	Seven Spool Valve, VC x 12GPM	1
4	Z71225	Hex Bolt, 5/16NC x 2-1/2"	3
5	Z72502	Serrated Flange Locknut, #10NC	3
6	Z72521	Serrated Flange Locknut, 5/16NC	3
7	Z72981	Handle Nut, 3/8NC	1

Stabilizer Ass'y



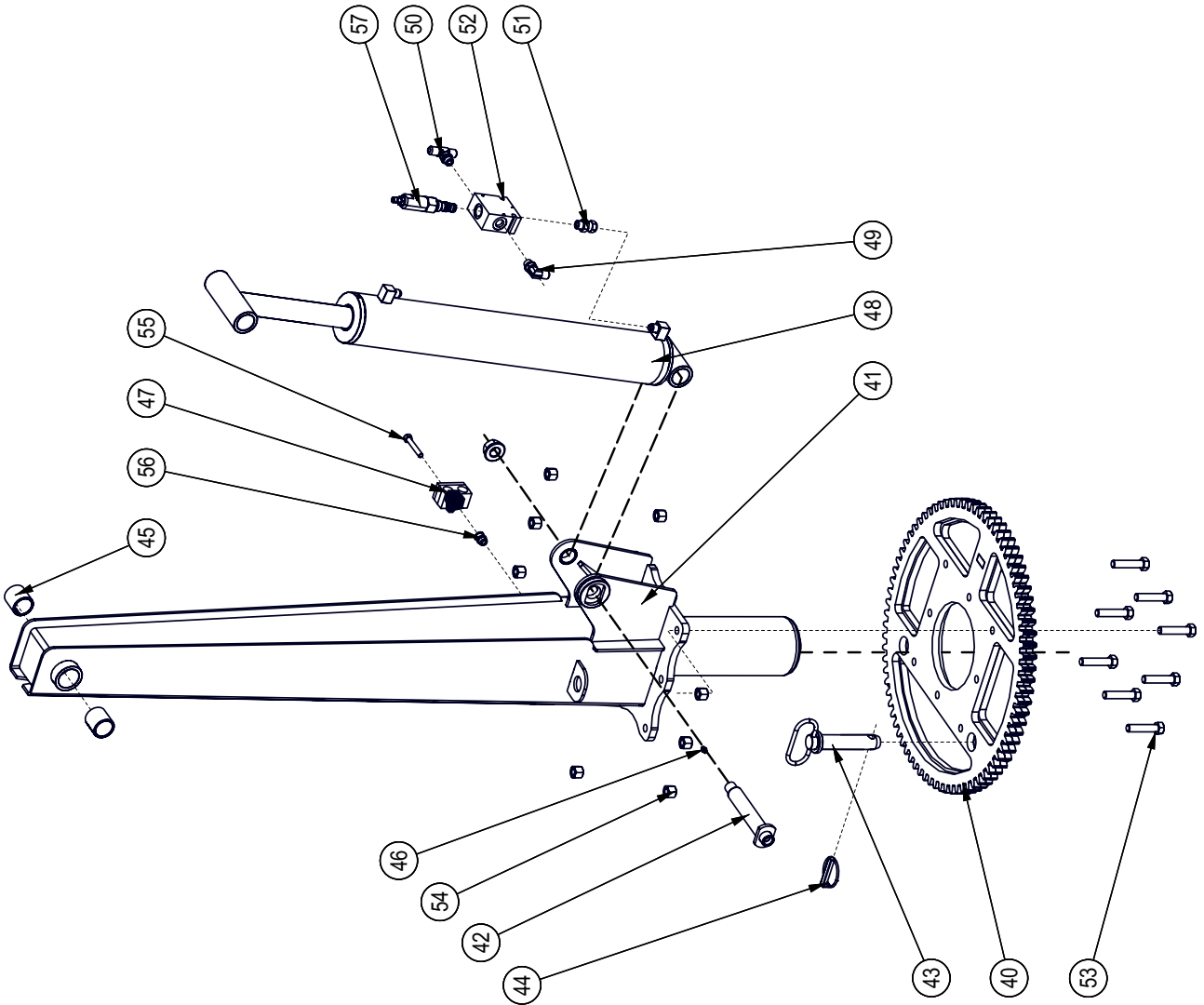
BOM ID	Part No.	Description	Qty
15	6032W206H	Stabilizer Arm - LH	1
16	6032W206	Stabilizer Arm - RH	1
17	6032C754	Cylinder, 2-1/4" x 1-1/4" x 12-1/2"	2
18	6032M919	Pin, Stabilizer Short	2
19	6032M920	Pin, Stabilizer Long	4
20	Z29202	Grease Fitting, 1/4NF	6
21	Z71120	Hex Bolt, 1/4NC x 2"	6
22	Z72211	Hex Lock Nut, 1/4NC	6
23	6083L286	Step, Winch Option	1
24	3012S204	U-Bolt, Stab Step	2
25	Z72531	Serrated Flange Locknut, 3/8NC	4

Slew Housing Ass'y



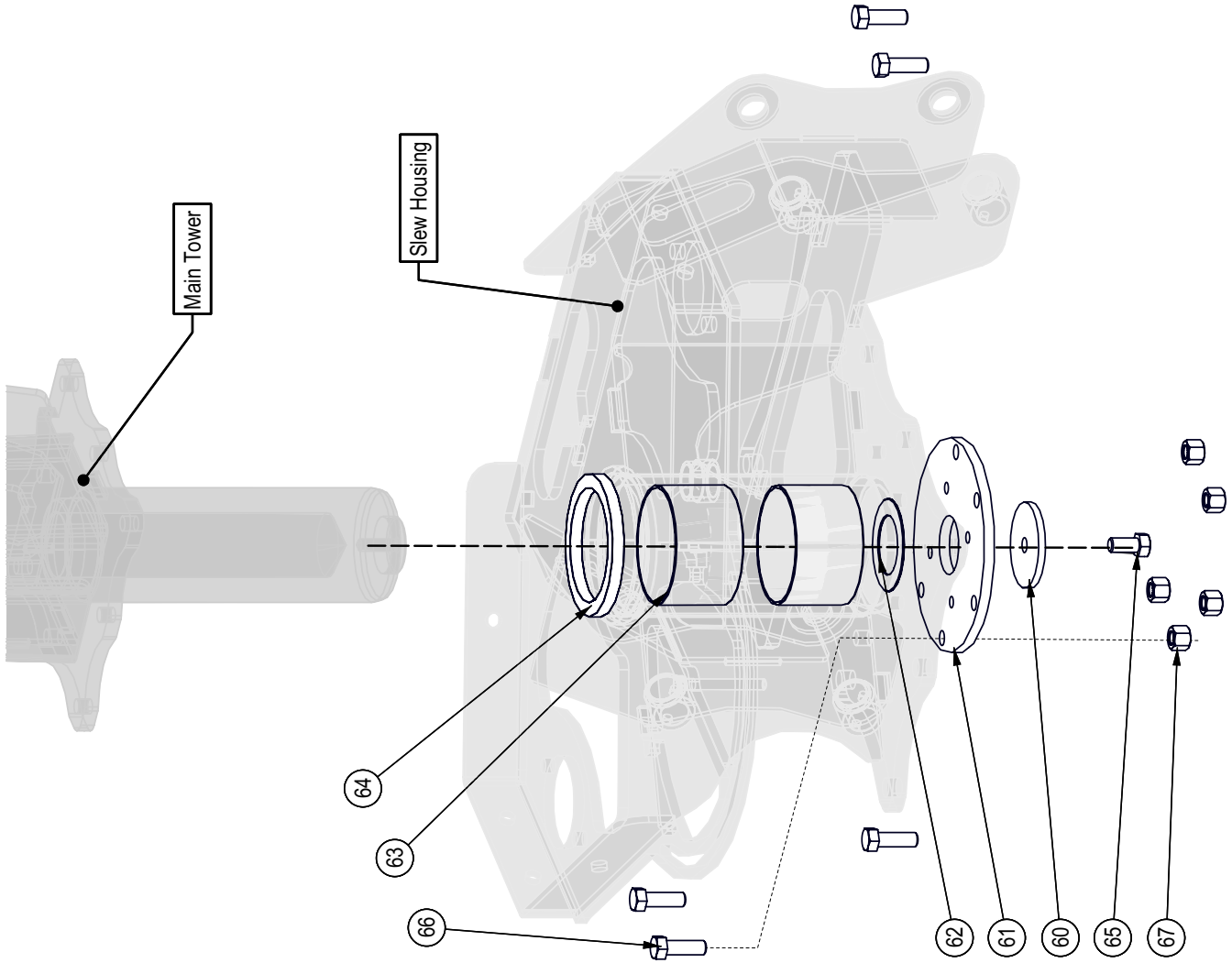
BOM ID	Part No.	Description	Qty
23	6031M653	Gear, Motor -Small	2
24	6032L592	Washer, Sprocket Capture	2
25	Z46533	Key, 1/4" x 1/4" x 1"	2
26	Z51656	Elbow 90, MJIC x MORB 0610	4
27	Z54104	Hydraulic Motor, 315CCR	2
28	Z71110	Hex Bolt, 1/4NC x 1"	2
29	Z71520	Hex Bolt, 1/2NC x 2"	4
30	Z71617	Hex Bolt, 5/8NC x 1-3/4"	9
31	Z72231	Hex Lock Nut, 3/8NC	1
32	Z72251	Hex Lock Nut, 1/2NC	4
33	Z72261	Hex Lock Nut, 5/8NC	9
34	Z72957	Rivet Nut, 5/16NC x 312	8
35	Z73131	SAE Washer, 3/8"	2
36	Z716121	Flange Bolt, 5/16NC x 3/4"	8
37	6032L583	Shield, Slew Front	2
38	6032W129	Slew Housing	1

Main Tower Ass'y



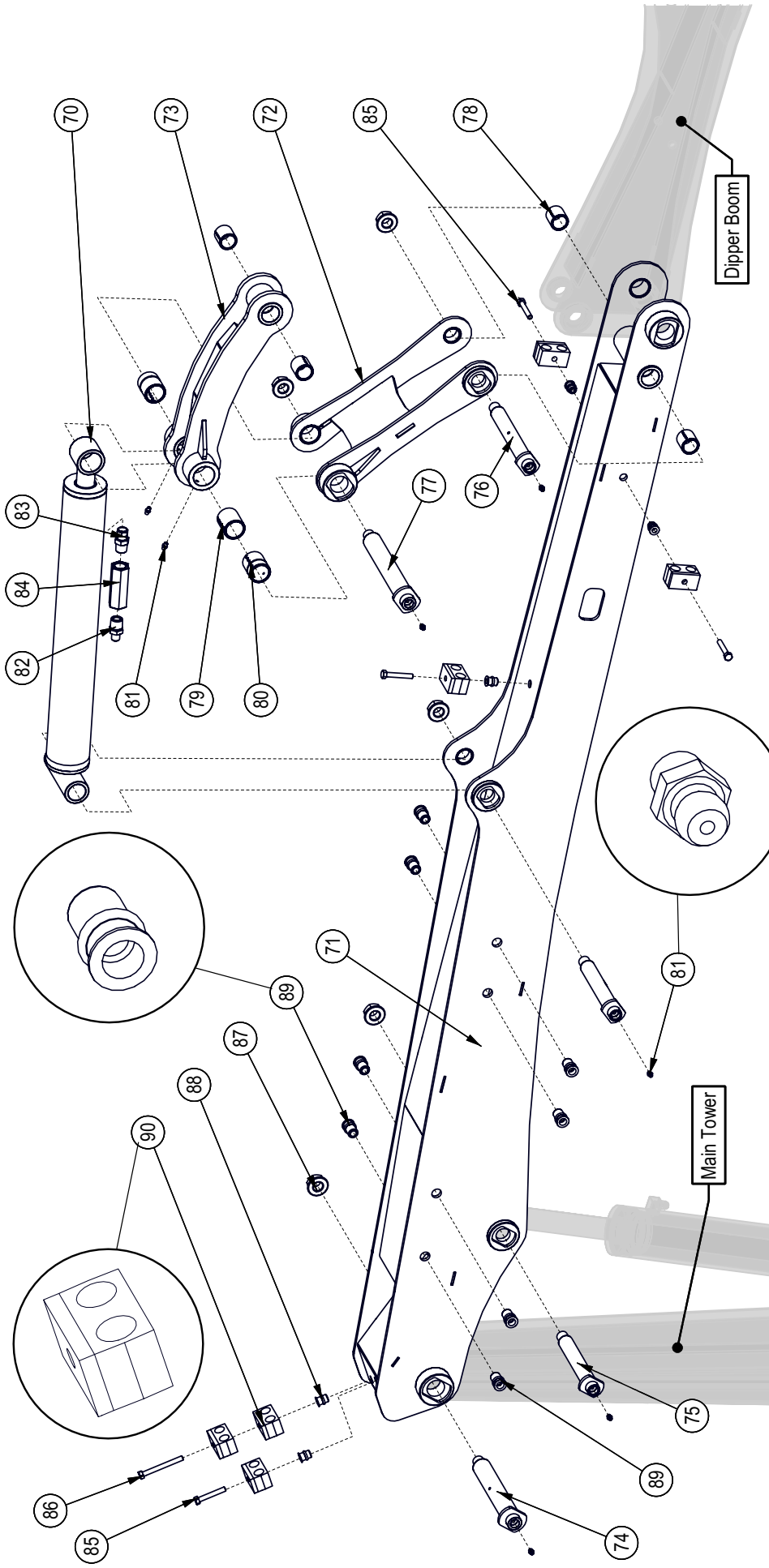
BOM ID	Part No.	Description	Qty
40	6032W131	78th Slew Gear	1
41	6032W102	Main Tower	1
42	6032W122	Pin, Main Boom Cylinder	1
43	Z11264	Hitch Pin, 1" x 3-3/4" MOD	1
44	Z12140	Lynch Pin, 7/16"	1
45	Z27235	Connex Bushing, 1-1/4" ID x 1-1/2" Long x 1/8" Wall	2
46	Z29202	Grease Fitting, 1/4NF	1
47	Z79463	Double Hose Clamp, 11/16" OD	1
48	6032C752	Cylinder, 3" x 1-1/2" x 20-3/4"	1
49	Z51651	Elbow 90, MJIC x MORB 0606	1
50	Z51674	Tee, MJIC x MJIC x MORB 060606	1
51	Z51761	Straight, MORB x FJICX 0606	1
52	Z56105-2	Counterbalance Valve, Body Only	1
53	Z71522	Hex Bolt, 1/2NC x 2-1/4"	8
54	Z72251	Hex Lock Nut, 1/2NC	8
55	Z71220	Hex Bolt, 5/16NC x 2"	1
56	Z72957	Rivet Nut, 5/16NC x 3/2	1
57	Z56105-1	Counterbalance Valve, Valve Only	1

Main Tower Bearing Ass'y



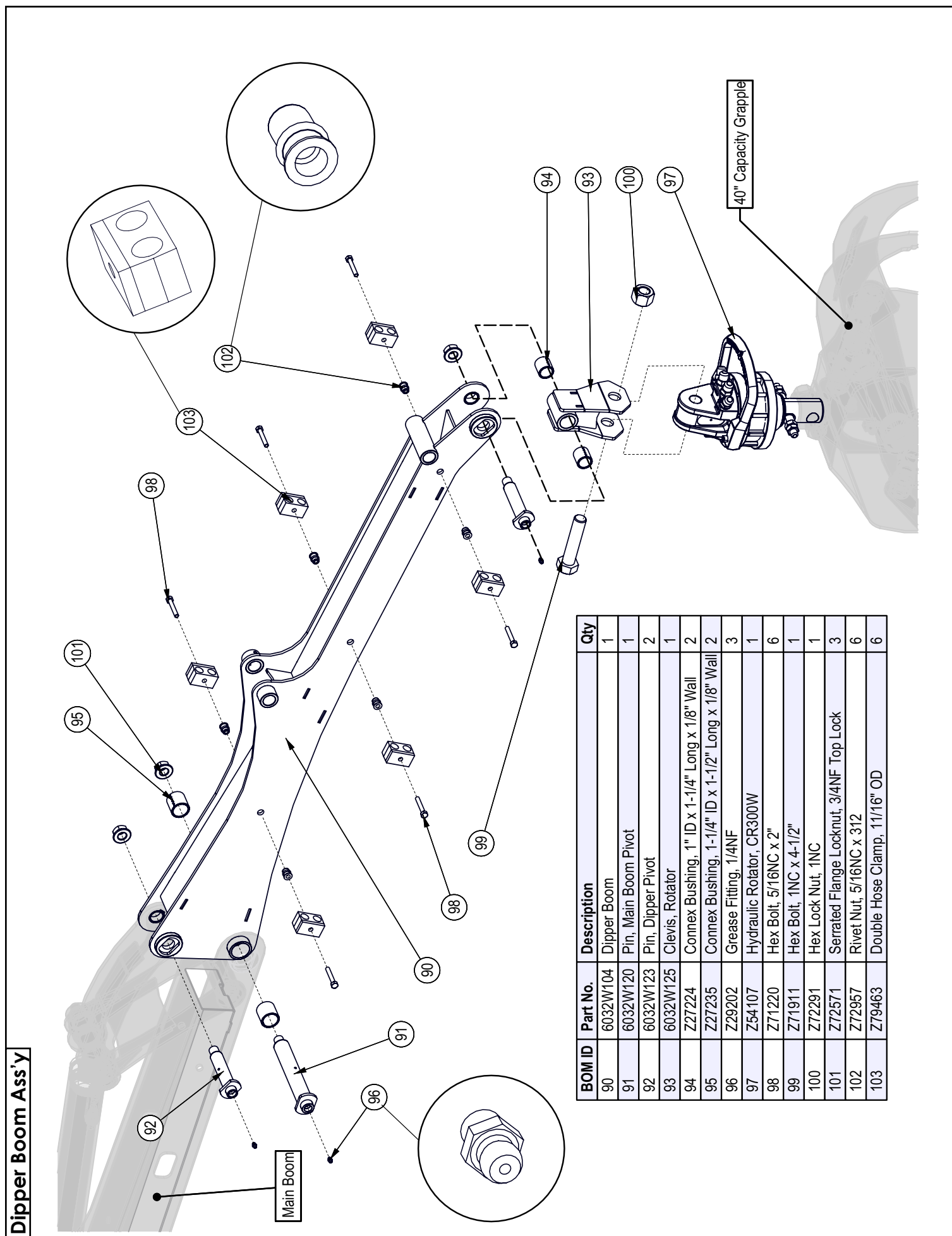
BOM ID	Part No.	Description	Qty
60	6032L582	Washer, Tower Capture	1
61	6032L595	Washer, Tower Rest	1
62	Z22401	Fiberglide Thrust Bearing, 2" ID x 3-1/4" OD x 0.058"	1
63	Z27102	Fiberglide Bearing, 4" ID x 2-1/2" long x 3/32" wall	2
64	Z28206	Single Lip Seal, 4"	1
65	Z71510	Hex Bolt, 1/2NC x 1"	1
66	Z71515	Hex Bolt, 1/2NC x 1-1/2"	5
67	Z72251	Hex Lock Nut, 1/2NC	5

Main Boom Ass'y



BOM ID	Part No.	Description	Qty
81	Z29202	Grease Fitting, 1/4NF	7
82	Z51441	Straight, MJIC x MP 0608	1
83	Z51512	Straight, MP x FJICX 0806	1
84	Z56104	Check Valve, FP08 x 0.040"	1
85	Z71220	Hex Bolt, 5/16NC x 2"	4
86	Z71230	Hex Bolt, 5/16NC x 3"	1
87	Z72571	Serrated Flange Locknut, 3/4NF Top Lock	5
88	Z72957	Rivet Nut, 5/16NC x 312	5
89	Z72961	Rivet Nut, 1/2NC x 350	8
90	Z79463	Double Hose Clamp, 1 1/16" OD	6

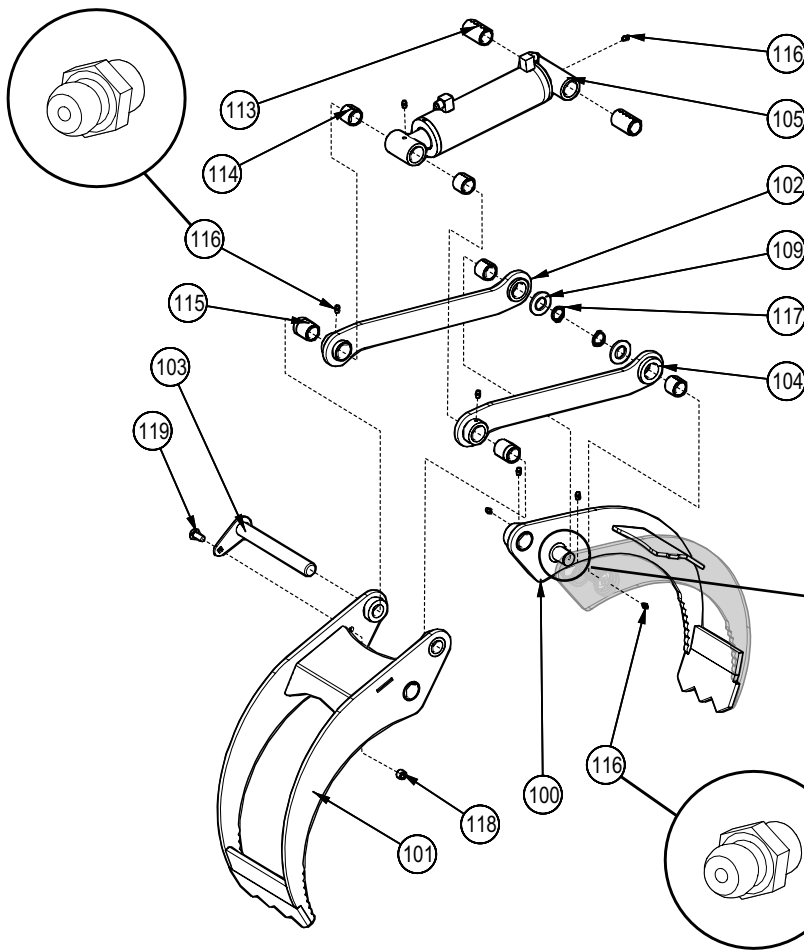
BOM ID	Part No.	Description	Qty
70	6032C750	Cylinder, 2-1/2" x 1-1/4" x 17-3/4"	1
71	6032W103	Main Boom	1
72	6032W105	Linkage Outer, Dipper Boom	1
73	6032W106	Linkage Inner, Dipper Boom	1
74	6032W120	Pin, Main Boom Pivot	1
75	6032W121	Main Boom-Dipper Boom Cyl, Pin	2
76	6032W124	Pin, Outer Linkage	1
77	6032W150	Pin, Dipper Linkage Cylinder Pin	1
78	Z27224	Connex Bushing, 1" ID x 1-1/4" Long x 1/8" Wall	4
79	Z27231	Connex Bushing, 1-1/4" ID x 1-3/4" Long x 1/8" Wall	1
80	Z27237	Connex Bushing, 1-1/4" ID x 1-3/4" Long x 1/8" Wall x 5/8" Groove Center	2



BOM ID	Part No.	Description	Qty
90	6032W104	Dipper Boom	1
91	6032W120	Pin, Main Boom Pivot	1
92	6032W123	Pin, Dipper Pivot	2
93	6032W125	Clevis, Rotator	1
94	Z27224	Connex Bushing, 1" ID x 1-1/4" Long x 1/8" Wall	2
95	Z27235	Connex Bushing, 1-1/4" ID x 1-1/2" Long x 1/8" Wall	2
96	Z29202	Grease Fitting, 1/4NF	3
97	Z54107	Hydraulic Rotator, CR300W	1
98	Z71220	Hex Bolt, 5/16NC x 2"	6
99	Z71911	Hex Bolt, 1NC x 4-1/2"	1
100	Z72291	Hex Lock Nut, 1NC	1
101	Z72571	Serrated Flange Locknut, 3/4NF Top Lock	3
102	Z72957	Rivet Nut, 5/16NC x 3/2	6
103	Z79463	Double Hose Clamp, 1 1/16" OD	6

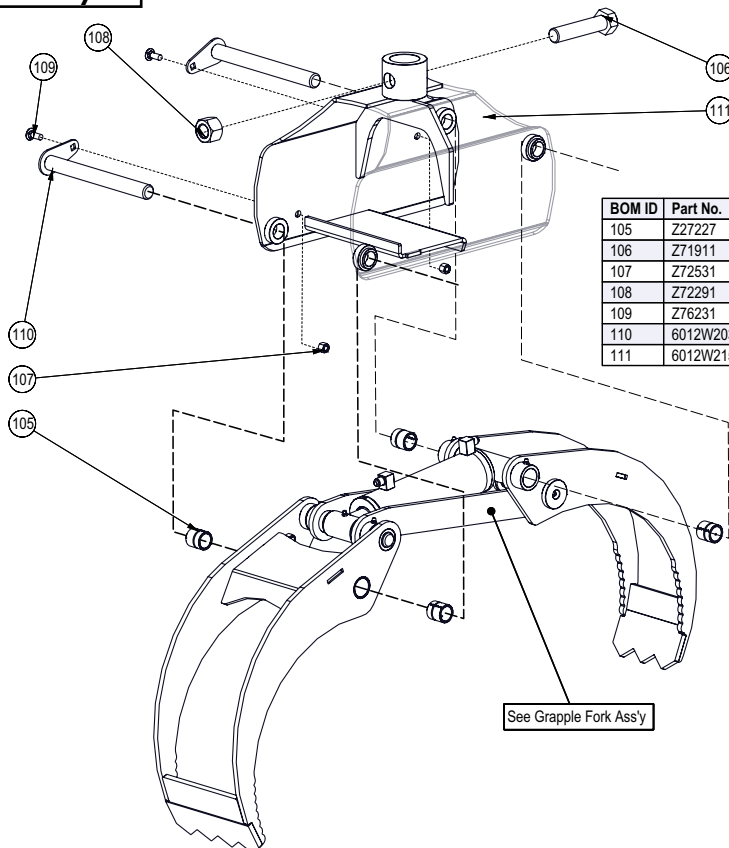
Dipper Boom Ass'y

Grapple Fork Ass'y



BOM ID	Part Number	Description	Qty
100	6012W201	Narrow (Inside) Fork	1
101	6012W202	Wide (Outside) Fork	1
102	6012W204	Linkage Bar	1
103	6012W205	1" Hex Head Pin	1
104	6012W207	Linkage Bar	1
105	6012C205	Cylinder, 2-1/2 x 6	1
109	6012L118	Washer, Linkage	2
113	Z27222	Connex Bushing 1 x 2	2
114	Z27223	Connex Bushing 1 x 1	4
115	Z27226	Connex Bushing 1 x 1-1/2 x 3/8	2
116	Z29202	Grease Zerk 1/4NF	10
117	Z46204	External Retaining Ring, 1"	2
118	Z72531	Serrated Flange Locknut, 3/8NC	1
119	Z76231	Carriage Bolt, 3/8NC x 1	1

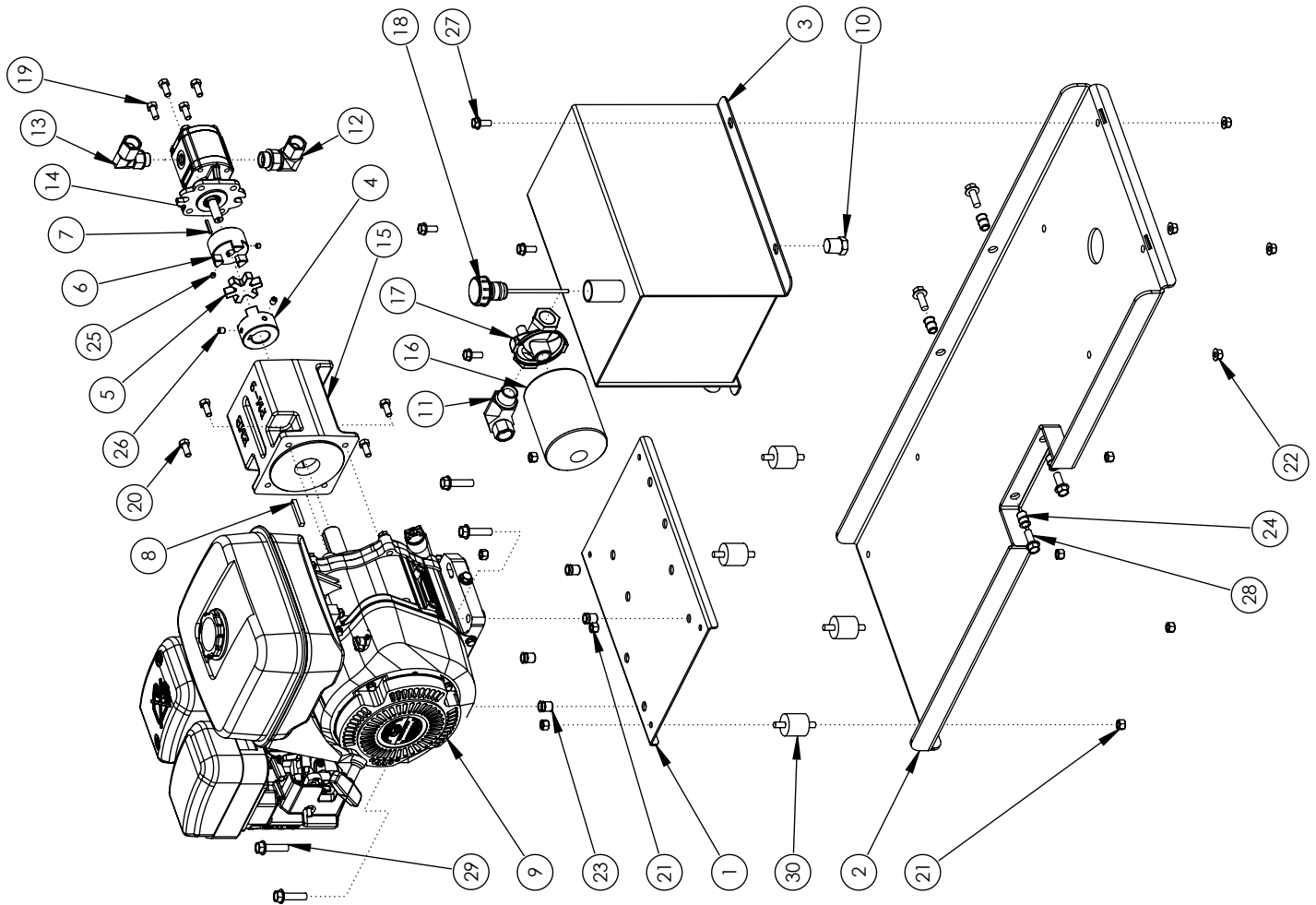
Grapple Ass'y



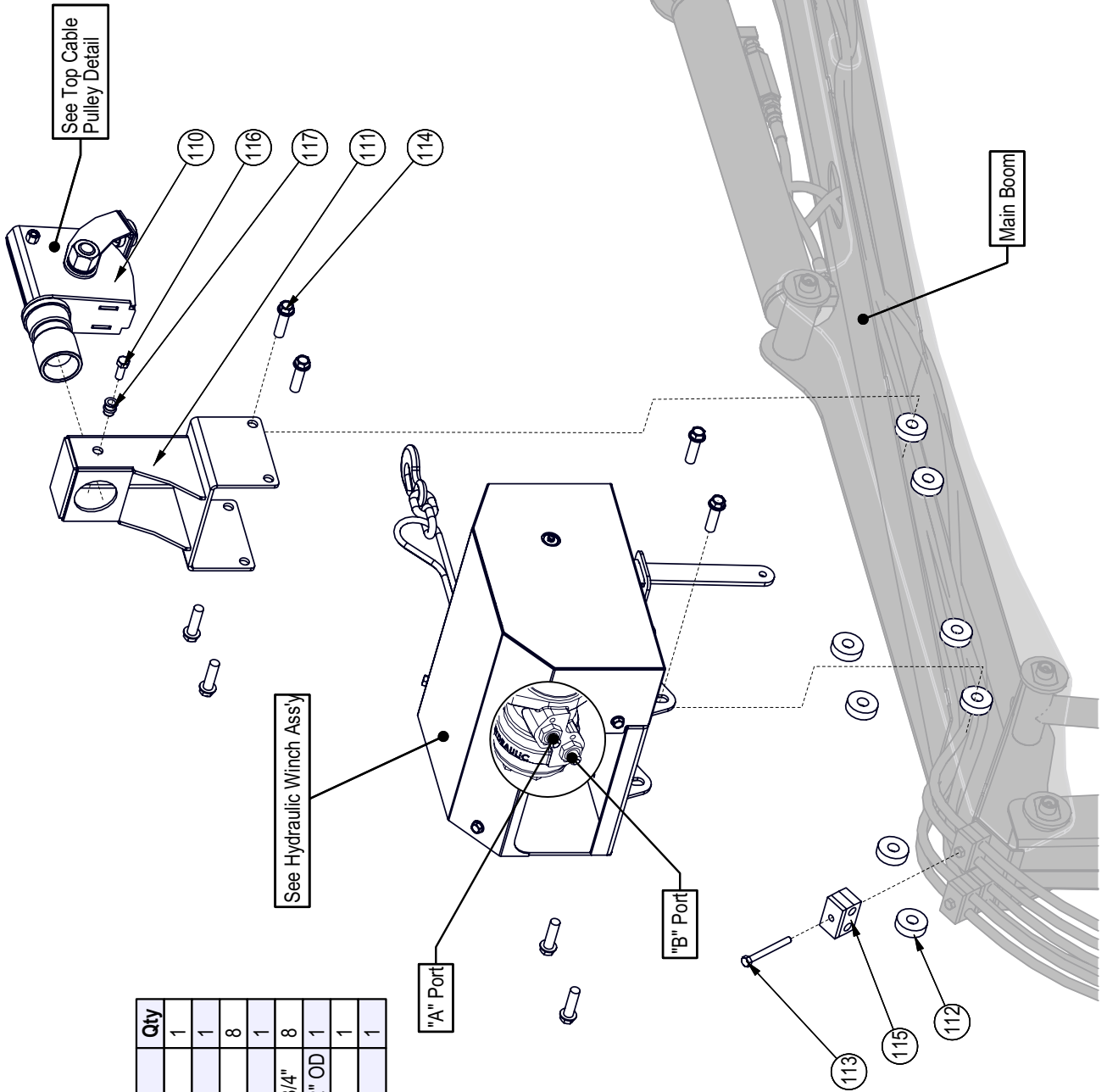
BOM ID	Part No.	Description	Qty
105	Z27227	Connex Bushing, 1" ID x 1-1/4" Long x 1/8" Wall x 1/2" Groove Center	4
106	Z71911	Hex Bolt, 1NC x 4-1/2"	1
107	Z72531	Serrated Flange Locknut, 3/8NC	2
108	Z72291	Hex Lock Nut, 1NC	1
109	Z76231	Carriage Bolt, 3/8NC x 1"	2
110	6012W203	1" Flange Pin	2
111	6012W215	Main Grapple Frame	1

ITEM	PART NO.	DESCRIPTION	QTY
1	6081L205	Plate, Engine Mount	1
2	6081W200	Base, Hyd Power Pack	1
3	6081W301	Tank	1
4	Z46404	Shaft Coupler L095 x 1	1
5	Z46405	Coupler Spider L095	1
6	Z46409	Shaft Coupler L095 x 1/2	1
7	Z46511	Key, 1/8 x 1/8 x 7/8	1
8	Z46535	Key, 1/4 x 1/4 x 1-3/4	1
9	Z47704	Subaru EX270 9hp Engine	1
10	Z51191	Plug 1/2NPI	1
11	Z51334	Elbow 90 MP x FFX 1208	1
12	Z51383	Elbow 90 ORB x FFX 0808	1
13	Z51385	Elbow 90 MORB x FFX 0608	1
14	Z53105	Gear Pump, 0.33 CIR	1
15	Z53802	Pump Mounting, PM-9	1
16	Z55301	Oil Filter - 3/4 - Particulate	1
17	Z55302	Filter Cap, 3/4 x 3/4	1
18	Z55402	Vented Plug Dipstick x 5	1
19	Z71207	Hex Bolt, 5/16NC x 3/4	4
20	Z71273	Hex Bolt, 5/16NF x 3/4	4
21	Z72221	Hex Lock Nut, 5/16NC	8
22	Z72521	Flange Nut, 5/16NC	4
23	Z72958	Riv-Nut 3/8NC x 150	4
24	Z72959	Riv-Nut 3/8NC x 312	4
25	Z74111	Set Screw, 1/4NC	2
26	Z74121	Set Screw, 5/16NC	2
27	Z76121	Flange Bolt, 5/16NC x 3/4	4
28	Z76134	Flange Bolt, 3/8NC x 1	4
29	Z76136	Flange Bolt, 3/8NC x 1-1/2	4
30	Z79931	Rubber Mount	4

Power Pack Engine / Pump



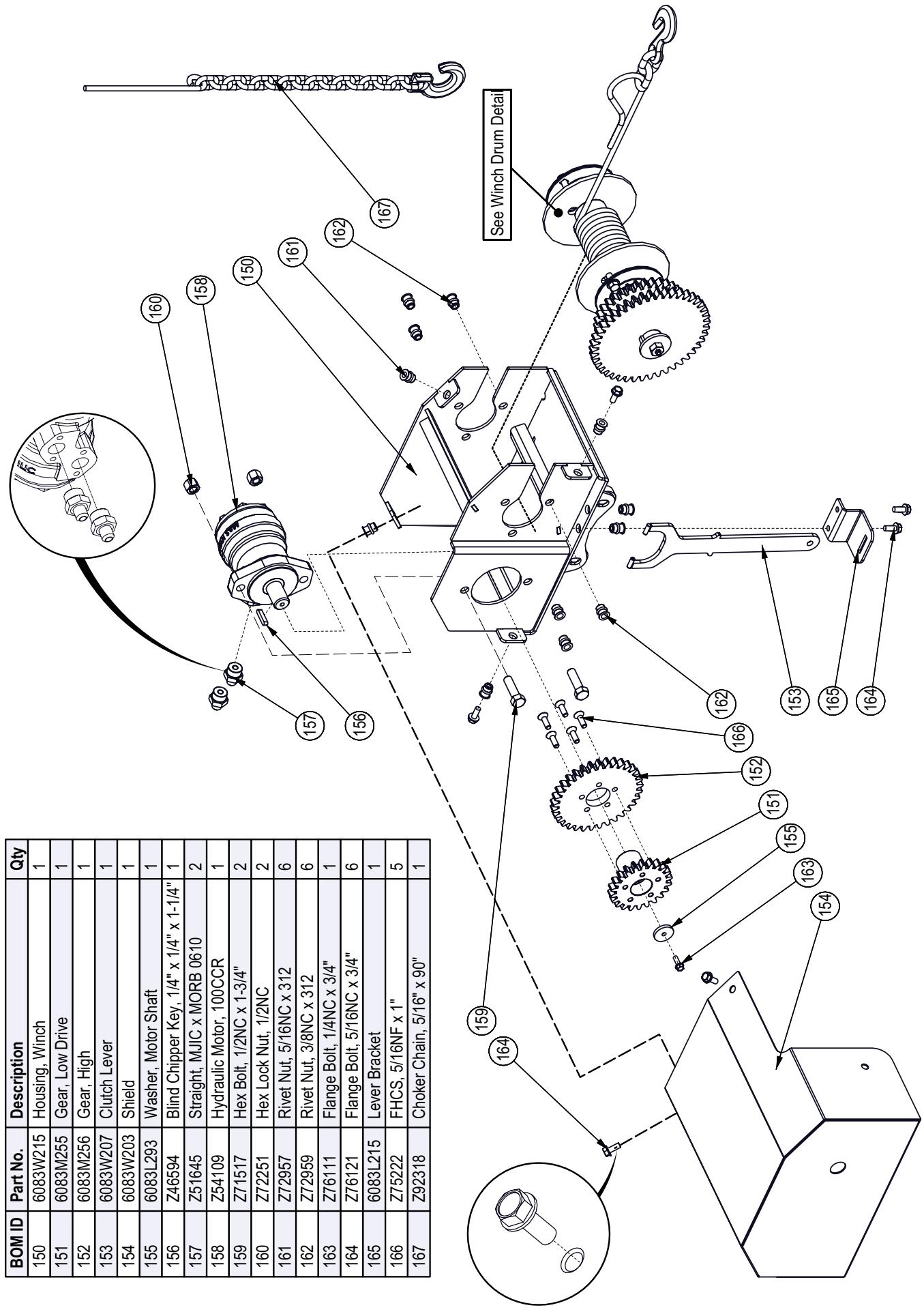
Hydraulic Winch Kit



BOM ID	Part No.	Description	Qty
110	6083A201	Top Cable Pulley	1
111	6083W200	Fairlead Mount	1
112	6083L211	Washer, Winch Mount	8
113	Z71230	Hex Bolt, 5/16NC x 3"	1
114	Z76155	Flange Bolt, 1/2NC x 1-3/4"	8
115	Z79462	Double Hose Clamp, 1/2" OD	1
116	Z71310	Hex Bolt, 3/8NC x 1"	1
117	Z72959	Rivet Nut, 3/8NC x 312	1

Hydraulic Winch Assembly

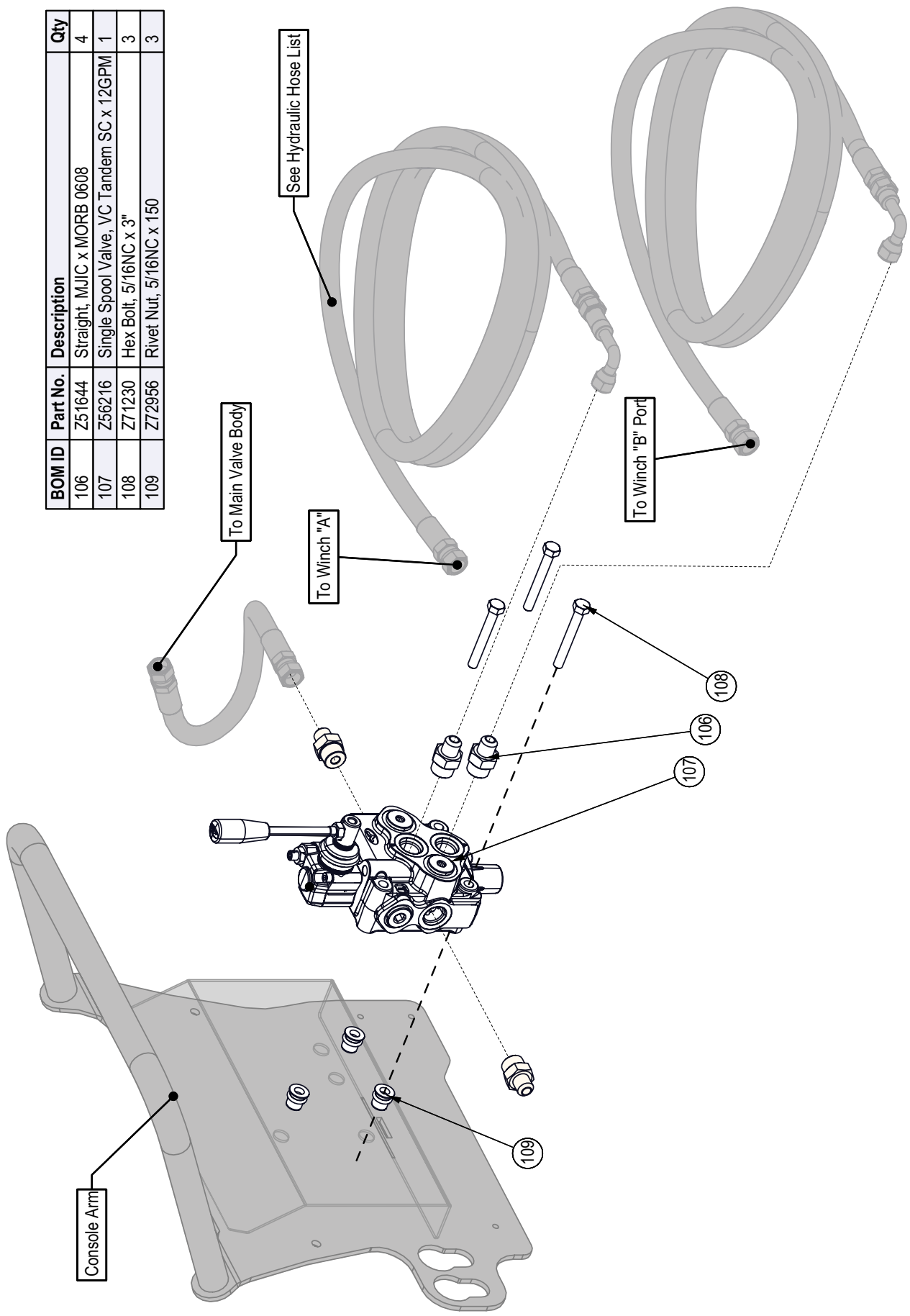
BOM ID	Part No.	Description	Qty
150	6083W215	Housing, Winch	1
151	6083M255	Gear, Low Drive	1
152	6083M256	Gear, High	1
153	6083W207	Clutch Lever	1
154	6083W203	Shield	1
155	6083L293	Washer, Motor Shaft	1
156	Z46594	Blind Chipper Key, 1/4" x 1/4" x 1-1/4"	1
157	Z51645	Straight, MJIC x MORB 0610	2
158	Z54109	Hydraulic Motor, 100CCR	1
159	Z71517	Hex Bolt, 1/2NC x 1-3/4"	2
160	Z72251	Hex Lock Nut, 1/2NC	2
161	Z72957	Rivet Nut, 5/16NC x 3/12	6
162	Z72959	Rivet Nut, 3/8NC x 3/12	6
163	Z76111	Flange Bolt, 1/4NC x 3/4"	1
164	Z76121	Flange Bolt, 5/16NC x 3/4"	6
165	6083L215	Lever Bracket	1
166	Z75222	FHCS, 5/16NF x 1"	5
167	Z92318	Choker Chain, 5/16" x 90"	1



Model LX115W

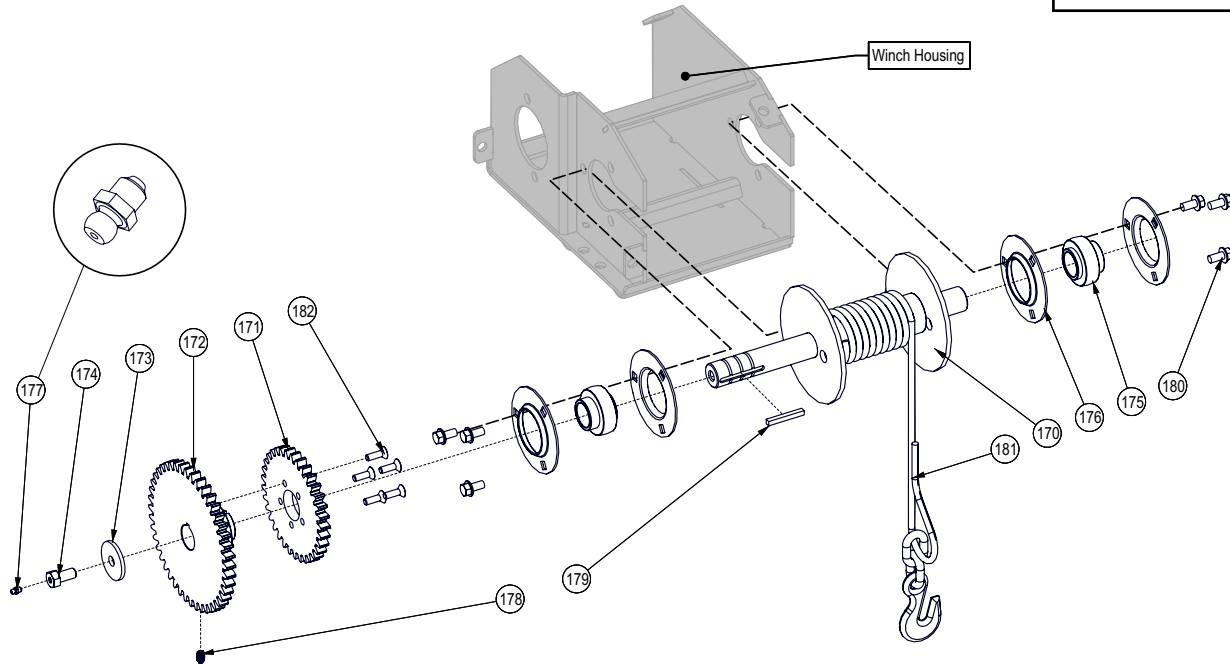
Hydraulic Winch Control Ass'y

BOM ID	Part No.	Description	Qty
106	Z51644	Straight, MJIC x MORB 0608	4
107	Z56216	Single Spool Valve, VC Tandem SC x 12GPM	1
108	Z71230	Hex Bolt, 5/16NC x 3"	3
109	Z72956	Rivet Nut, 5/16NC x 150	3



Winch Drum Detail

Model LX115W

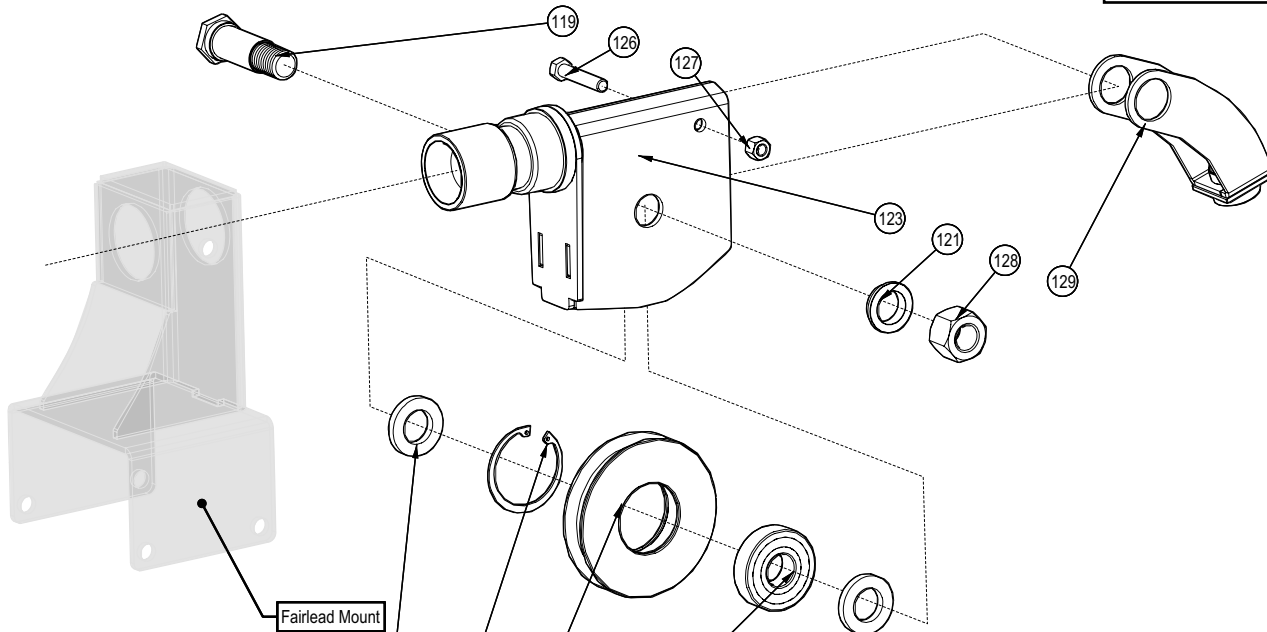


BOM ID	Part No.	Description	Qty
170	6083W201	Drum, Main Cable	1
171	6083M256	Gear, High	1
172	6083M257	Gear, Low Driven	1
173	6083L207	Washer, Capture	1
174	6083M252	1/2-13 x 1 Bolt Modified	1
175	Z25207	Bearing Insert, UC206-20	2
176	Z25301	3-Bolt Flange Bearing, PF206 x Flange Only	4

BOM ID	Part No.	Description	Qty
177	Z29202	Grease Fitting, 1/4NF	1
178	Z34302	Spring Plunger, 3/8NC x 5/8" x 21 lbs	1
179	Z46531	Key, 1/4" x 1/4" x 2"	1
180	Z76133	Flange Bolt, 3/8NC x 3/4"	6
181	Z92118	Synthetic Winch Cable, 5/16" x 80ft with Grab Hook	1
182	Z75222	FHCS, 5/16NF x 1"	5

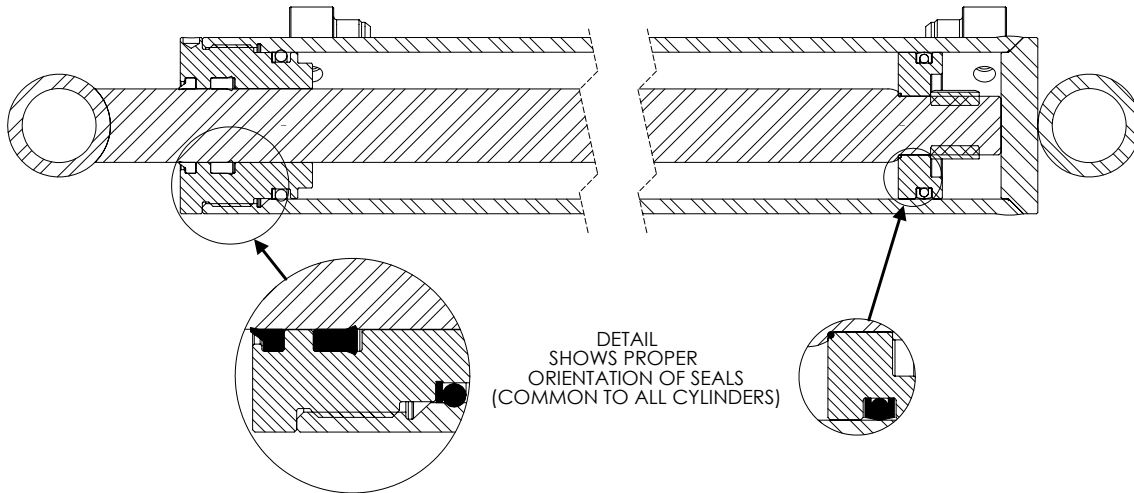
Top Cable Pulley Detail

Model LX115W

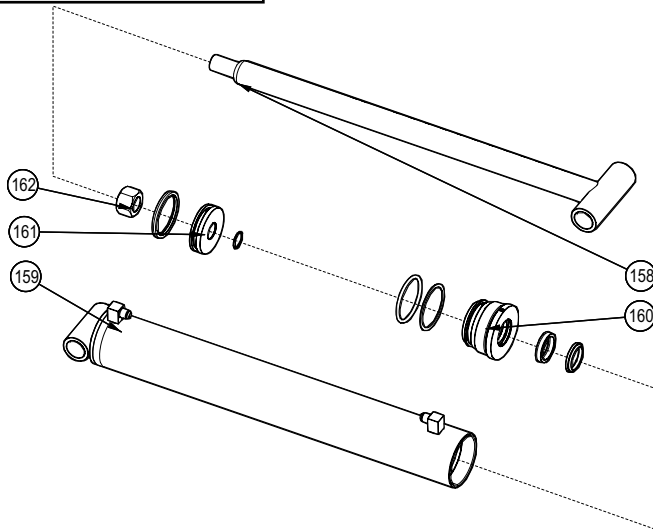


BOM ID	Description	Description	Qty
119	5011M814	Top Pulley Pin	1
120	5011M816	Cable Pulley	1
121	5012M222	Cable Guide Swing Bushing	1
122	6083L247	Washer, Pulley Spacer - Narrow	2
123	6083W211	Frame, Top Pulley	1
124	Z21201	Ball Bearing 6305 2RS	1
125	Z46101	Internal Retaining Ring 2-7/16	1
126	Z71320	Hex Bolt, 3/8NC x 2	1
127	Z72231	Hex Lock Nut, 3/8NC	1
128	Z72281	Hex Lock Nut, 7/8-9NC	1
129	6083W208	Cable Guide	1

Cylinders & Seal Installation



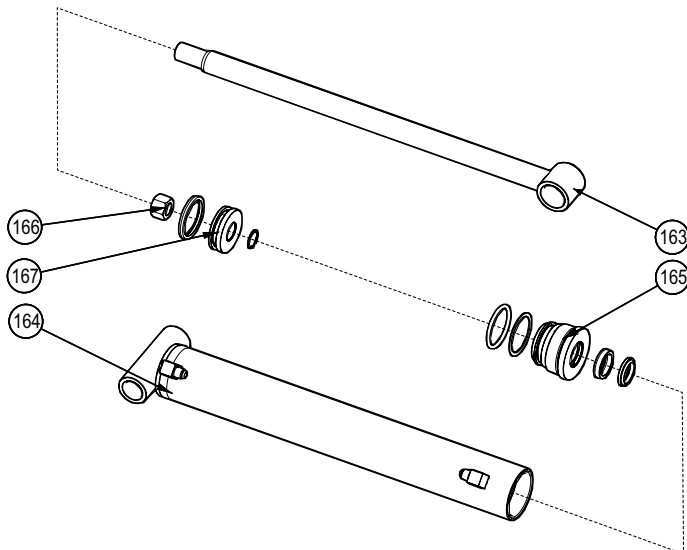
6032C752 Main Boom Cylinder



BOM ID	Part Number	Description	Qty
158	6032C7523	Rod, 1-1/2 x1	1
159	6032C7524	Barrel, 3"	1
160	G300-150S	3" X 1-1/2" GLAND	1
161	P100-300SP	3" BORE PISTON	1
162	Z72292G8	Hex Lock Nut 1NF Grade 8	1

Seal Kit: SLK-3015

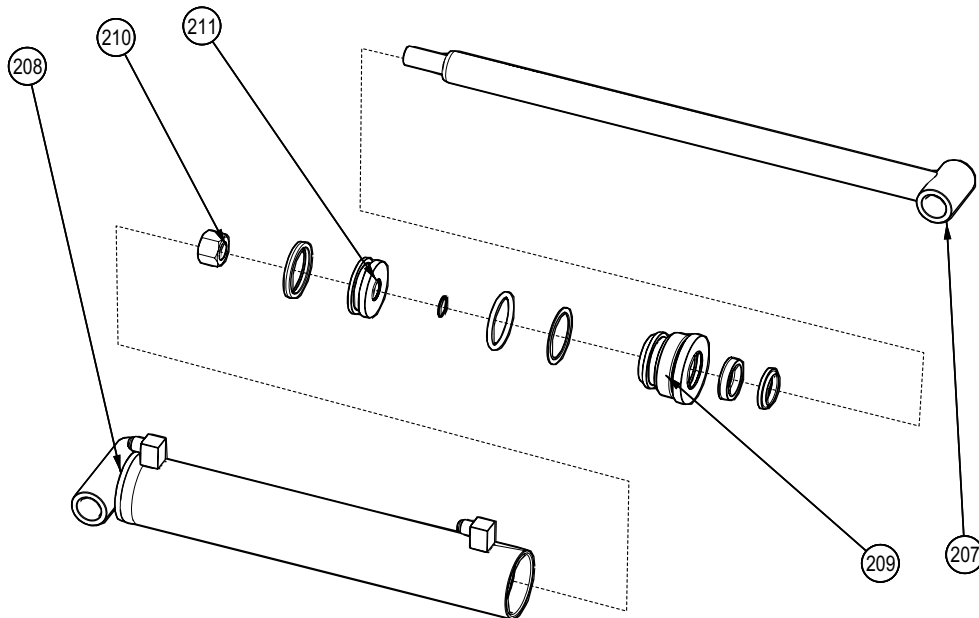
6032C750 Dipper Boom Cylinder



BOM ID	Part Number	Description	Qty
163	6032C7503	Rod, 1-1/4 x1	1
164	6032C7504	Barrel, 2-1/2" Bore	1
165	G250-125S	2-1/2" X 1-1/4" GLAND	1
166	Z72272G8	Hex Lock Nut 3/4NF Grade 8	1
167	P100-250SP	2-1/2" BORE PISTON	1

Seal Kit: SLK-2512

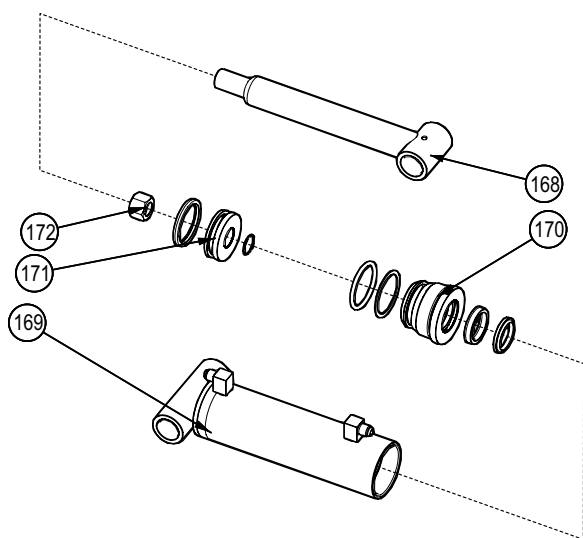
6032C754 Stabilizer Cylinder



Seal Kit: SLK-2012

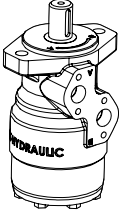
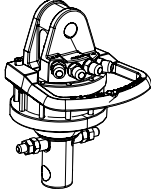
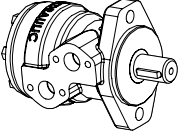
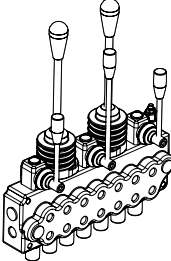
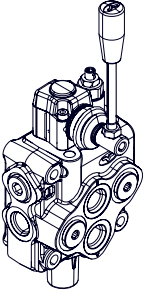
BOM ID	Description	Description	Qty
207	6032C7543	Rod, 1-1/4x3/4	1
208	6032C7544	Barrel, 2-1/4" Bore	1
209	G225-125S	2-1/4" X 1-1/4" GLAND	1
210	Z72272G8	Hex Lock Nut 3/4NF Grade 8	1
211	P750-225SP	2-1/4" BORE PISTON	1

6012C205 Grapple Cylinder



BOM ID	Part Number	Description	Qty
168	6012C2053	Rod, 1-1/2 x1	1
169	6012C2054	Barrel, 2-1/2"	1
170	G250-150S	2-1/2" X 1-1/2" GLAND	1
171	P100-250SP	2-1/2" BORE PISTON	1
172	Z72272G8	Hex Lock Nut 3/4NF Grade 8	1

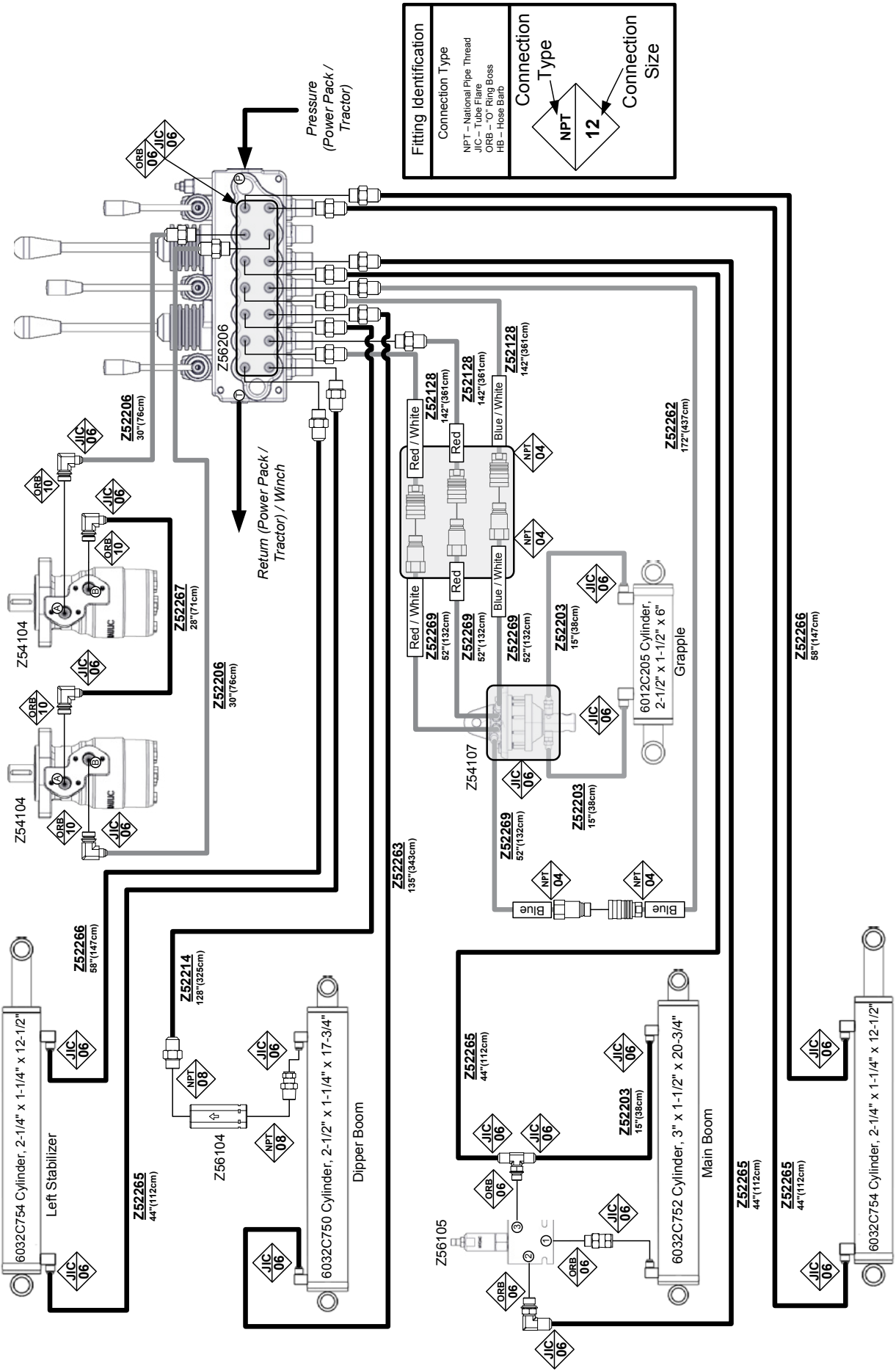
Seal Kit: SLK-2515

Seal Kits		Seal Kit: Z54107 CR300 Hydraulic Rotator
Seal Kit: Z54104 315 Series Hydraulic Motor (Main boom)		
	<div data-bbox="375 268 761 331" style="border: 1px solid black; padding: 5px; text-align: center;"> Seal Kit: SK MLHP-U/D,E </div>	 <div data-bbox="1105 268 1492 331" style="border: 1px solid black; padding: 5px; text-align: center;"> Seal Kit: RK CR300 </div>
Seal Kit: Z54108 Hydraulic Motor (Winch) MLHP 50		Seal Kit: Z54206 Monoblock 7-Section Valve
	<div data-bbox="375 615 761 678" style="border: 1px solid black; padding: 5px; text-align: center;"> Seal Kit: SK MLHP-U/D,E </div>	 <div data-bbox="1122 615 1508 678" style="border: 1px solid black; padding: 5px; text-align: center;"> Seal Kit: SK SD5/7 </div>
Seal Kit: Z56216 Single Spool Valve		
	<div data-bbox="381 982 768 1045" style="border: 1px solid black; padding: 5px; text-align: center;"> Seal Kit: SK SD5/1 </div>	

Hydraulic Hose List

Part Number	Description	Qty	Where Used
Z52203	3/8" Hose, FJIC06 x FJIC06 x 15"	3	LX115 / LX115W
Z52206	3/8" Hose, FJIC06 x FJIC06 x 30"	2	LX115 / LX115W
Z52214	3/8" Hose, FJIC06 x FJIC06 x 128"	1	LX115 / LX115W
Z52262	3/8" Hose, FJIC06 x MP04 x 172"	4	LX115 / LX115W
Z52263	3/8" Hose, FJIC06 x FJIC06 x 135"	1	LX115 / LX115W
Z52265	3/8" Hose, FJIC06 x FJIC06 x 44"	4	LX115 / LX115W
Z52266	3/8" Hose, FJIC06 x FJIC06 x 58"	2	LX115 / LX115W
Z52267	3/8" Hose, FJIC06 x FJIC06 x 28"	1	LX115 / LX115W
Z52269	3/8" Hose, 45FJIC08 x MP04 x 52"	4	LX115 / LX115W
Z52222	3/8" Hose, FJIC06 x 90FJIC06 x 92"	2	LX115W
Z52203	3/8 Hose,#6FJICx#6FJICx15"	1	LX115W
Z52260	3/8" Hose, FJIC06 x MP08 x 48"	2	L601 Power Pack
Z52347	1/2" Hose, MP08 x MP08 x 30"	1	L601 Power Pack
Z52348	1/2" Hose, MP08 x MP08 x 78"	2	L101 Tractor Hydraulic Kit
Z52206	3/8 Hose,#6FJICx#6FJIC 90x30"	1	L101 Tractor Hydraulic Kit
Z52203	3/8 Hose,#6FJICx#6FJICx15"	1	L101 Tractor Hydraulic Kit

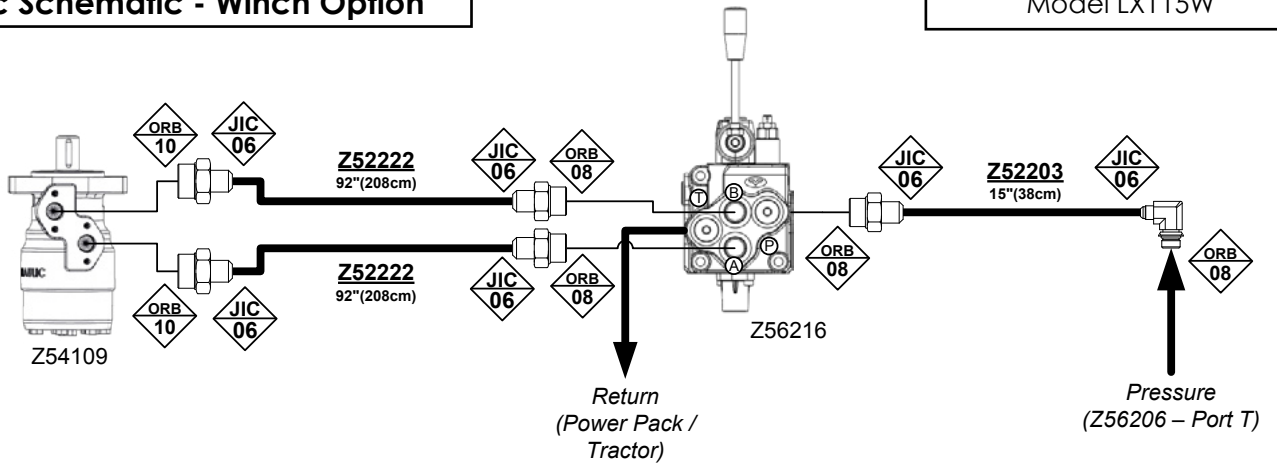
Hydraulic Schematic



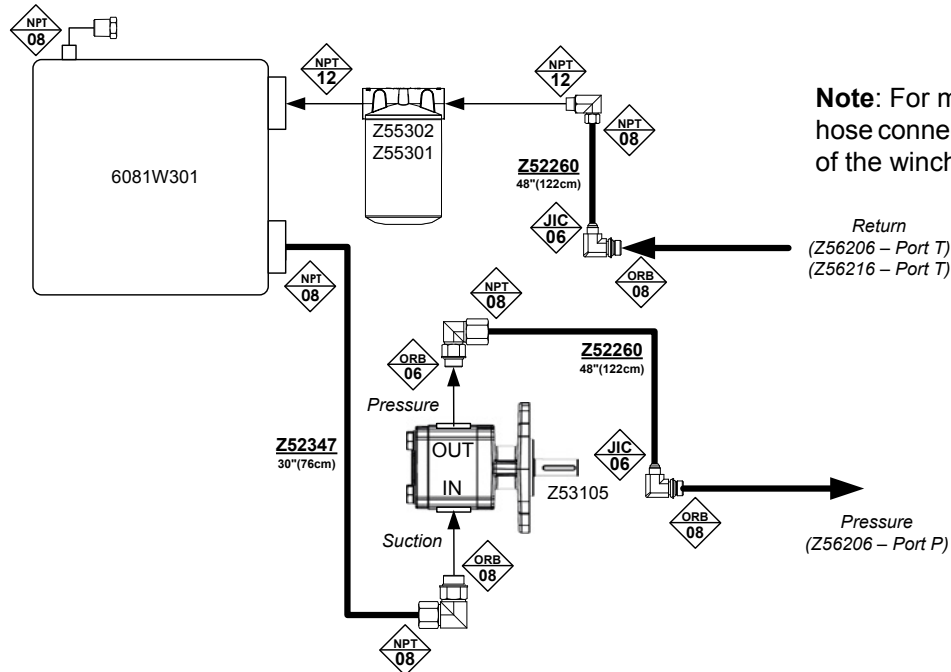
Note: This hydraulic schematic does not include the optional winch or optional hydraulic drawbar for the Timber Talon log trailer models. See the page 23, for the winch, see the Timber Talon log trailer parts manual for the hydraulic drawbar schematic.

Hydraulic Schematic - Winch Option

Model LX115W



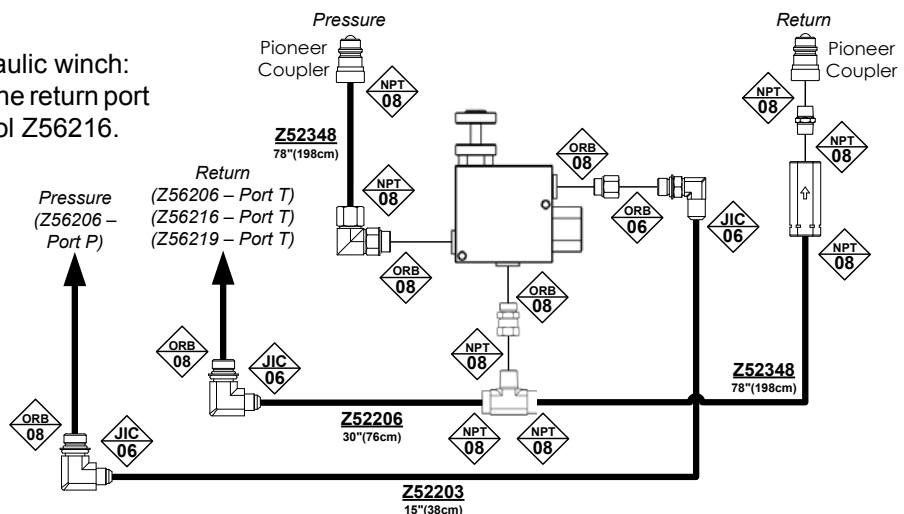
Hydraulic Schematic - Power Pack



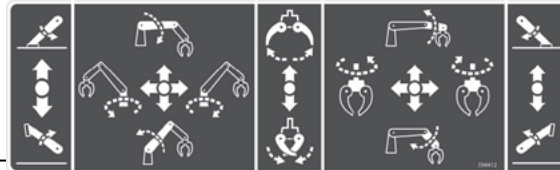
Note: For models with hydraulic winch: hose connection is made at the return port of the winch hydraulic control Z56216.

Hydraulic Schematic - Tractor Hydraulic Kit

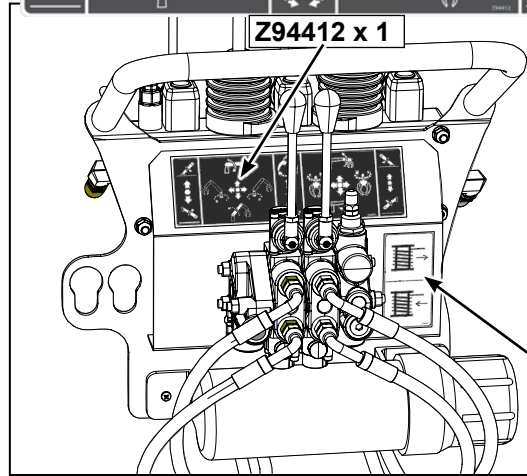
Note: For models with hydraulic winch: hose connection is made at the return port of the winch hydraulic control Z56216.



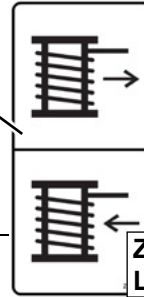
Labels



REMEMBER - If safety signs have been damaged, removed, become illegible or parts replaced without safety signs, new signs must be applied. New safety signs are available from your authorized dealer.



Z94412 x 1



Z94401 x 1
LX115W

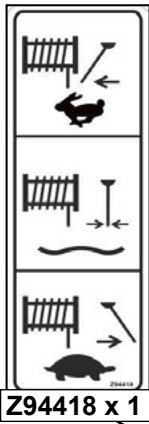


Z94211 x 1

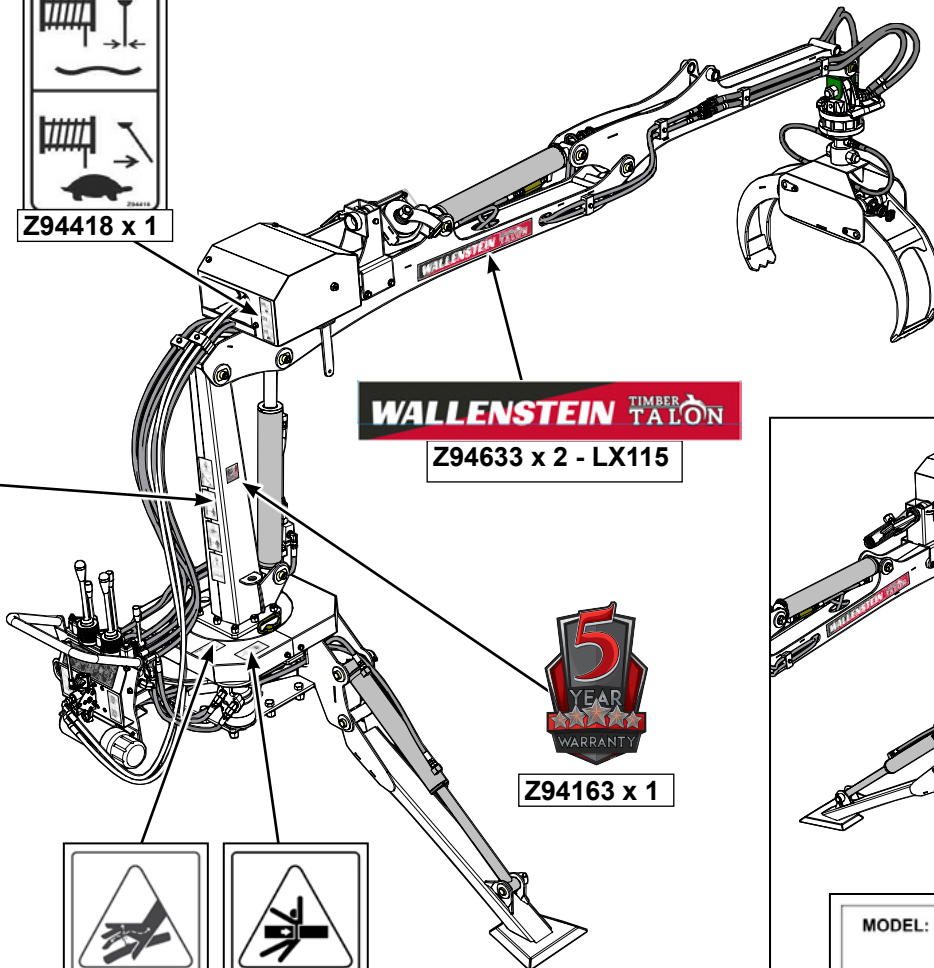
Z94210 x 1

Z94112 x 1

Z94119 x 1



Z94418 x 1



WALLENSTEIN **TIMBER TALON**

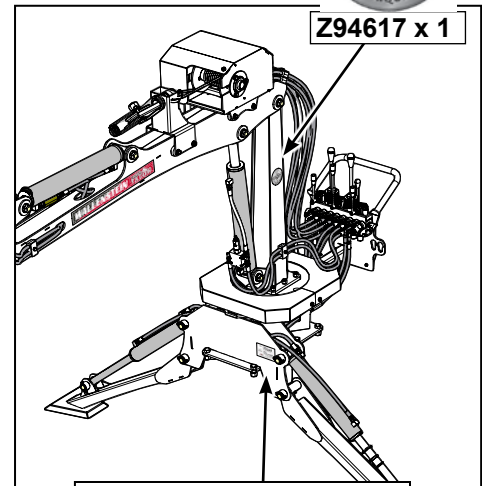
Z94633 x 2 - LX115



Z94163 x 1



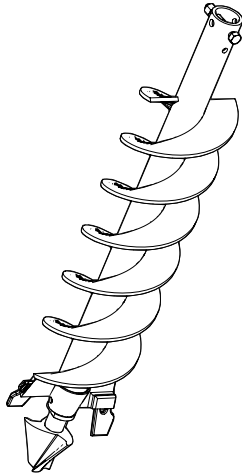
Z94617 x 1



Serial Location

Accessories

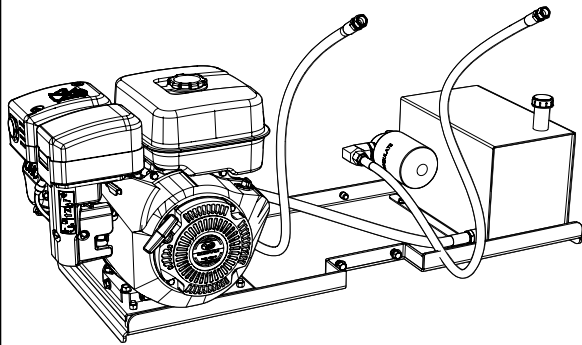
Call your dealer for pricing and availability



#LA610 6" Diameter Auger Kit
#LA910 9" Diameter Auger Kit

For all LX models.

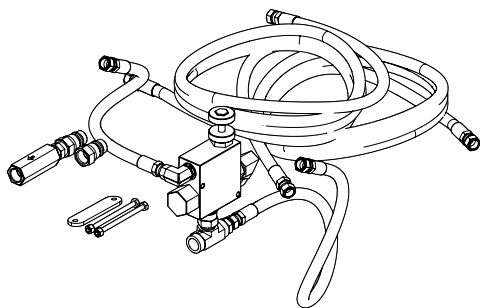
A great way to get your fence post jobs done quickly and efficiently. Both hydraulic augers are capable of a hole depth of a 107 cm (42")



L601 Power
Pack

#L601 LX115 POWER PACK

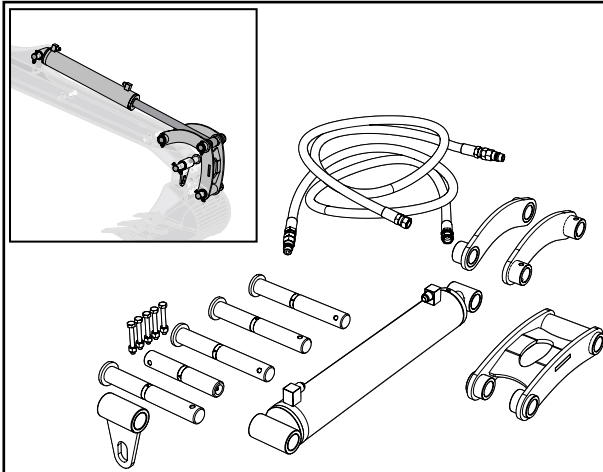
Independently power your LX grapple: the **L601 for LX115** features a 9HP Subaru engine. Power packs include hydraulic pump and 17.5 litre (4.6 us gal) reservoir tank.



#L101 Tractor Hydraulic Kit

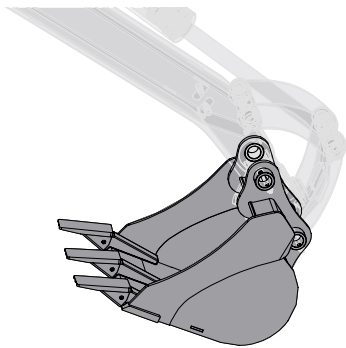
For all LX models

Makes use your existing tractor hydraulics, comes with everything you need to attach and control you hydraulics. Includes: flow control, hoses, and hardware



#BA201 Back Hoe Kit

For **all LX models**. (Bucket not included)
Trenching made easier with this great accessory, includes: hydraulic cylinder, hoses, bucket linkage, pins & hardware)



#BK series Bucket Options for #BA201 Back Hoe Kit:

Choose the bucket you need for the job at hand.

- BK2690** 9" 3 Tooth Bucket
- BK2612** 12" 3 Tooth Bucket
- BK2615** 15" 4 Tooth Bucket
- BK2618** 18" 4 Tooth Bucket



#Z97068 OPERATOR'S MANUAL

Available as a download at
www.wallensteinequipment.com