

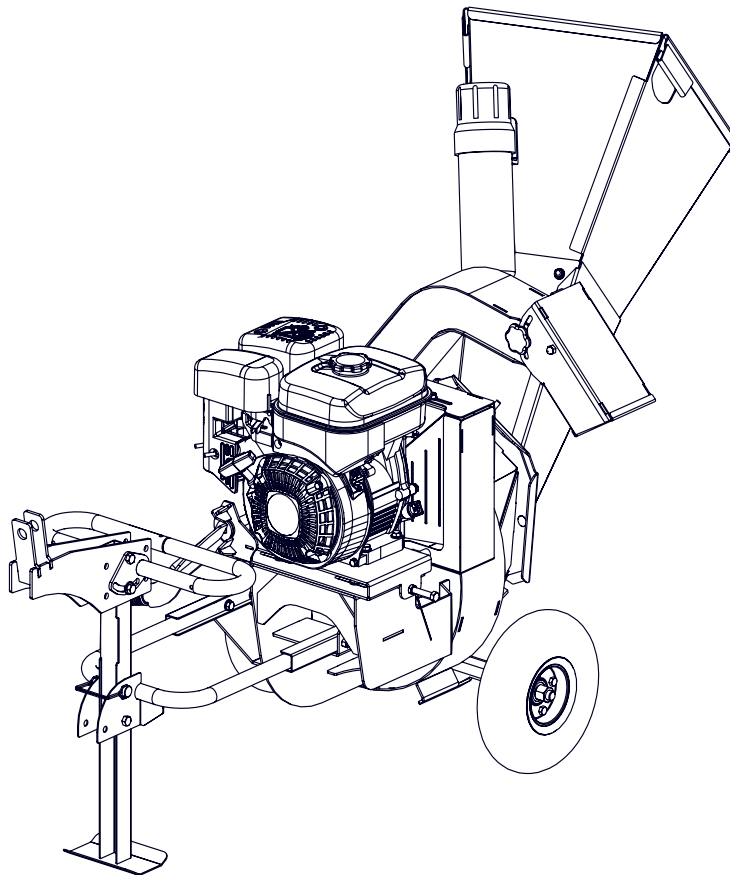


EMB Manufacturing Inc.
4144 Boomer Line · St. Clements, On · N0B 2M0 · Canada
Ph: (519) 699-9283 · Fax: (519) 699-4146
www.wallensteinequipment.com

BXC32 & BXC32H Cart Chipper

Parts Manual

Starting with S/N's
1C32280 and on



Refer to the operators
manual for safe
operation and
maintainance

1075T100 BXC32 Rev C1 Parts Book
070617

Foreword

EMB Mfg. has prepared this parts manual to assist customers in ordering quality OEM replacement parts.

Proper and regular service and replacing old, worn or broken parts with the correct OEM parts are essential to prolonging the life of your EMB product. Please refer to this manual before ordering any replacement parts.

All information contained in this parts manual is based on the latest product specification available at the time of printing this manual. If your product differs from the specifications contained within this manual contact EMB Mfg. for information.

EMB reserves the right to alter specifications on their products at any time.

Reproduction of this parts manual of any kind is prohibited without prior written permission from EMB Mfg.

For parts and information please contact your dealer. If your dealer is no longer available please go to our website: <http://www.wallensteinequipment.com> and click on "FIND A DEALER NEAR YOU" for information on a local dealer.

Table of Contents

Bolt Torque..... 4
Main Parts..... 5
Upper \ Lower Rotor Housing 6
Rotor Parts..... 7
Engine and Driveline 8
Deflector Detail..... 9
Safety Flap Detail..... 9
Hitch Assembly 10
Label Layout..... 11
Accessories..... 12

Model	Revision	
	Subaru	Honda
BXC32	C1	
BXC32H		A2

Maintenance should be performed by
trained personnel only.



Refer to the operators
manual for safe
operation and
maintenance

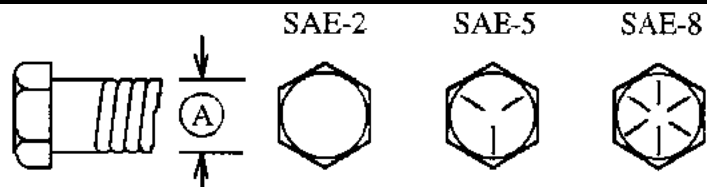
Bolt Torque

CHECKING BOLT TORQUE

The tables shown below give correct torque values for various bolts and capscrews. Tighten all bolts to the torques specified in chart unless otherwise noted. Check tightness of bolts periodically, using bolt torque chart as a guide. Replace hardware with the same strength bolt.

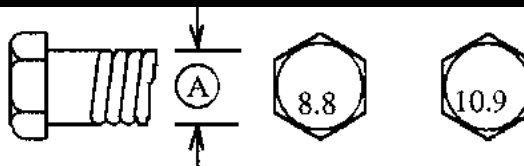
ENGLISH TORQUE SPECIFICATIONS

Bolt Diameter "A"	Bolt Torque*					
	SAE 2 (N.m) (lb-ft)		SAE 5 (N.m) (lb-ft)		SAE 8 (N.m) (lb-ft)	
1/4"	8	6	12	9	17	12
5/16"	13	10	25	19	36	27
3/8"	27	20	45	33	63	45
7/16"	41	30	72	53	100	75
1/2"	61	45	110	80	155	115
9/16"	95	60	155	115	220	165
5/8"	128	95	215	160	305	220
3/4"	225	165	390	290	540	400
7/8"	230	170	570	420	880	650
1"	345	225	850	630	1320	970



METRIC TORQUE SPECIFICATIONS

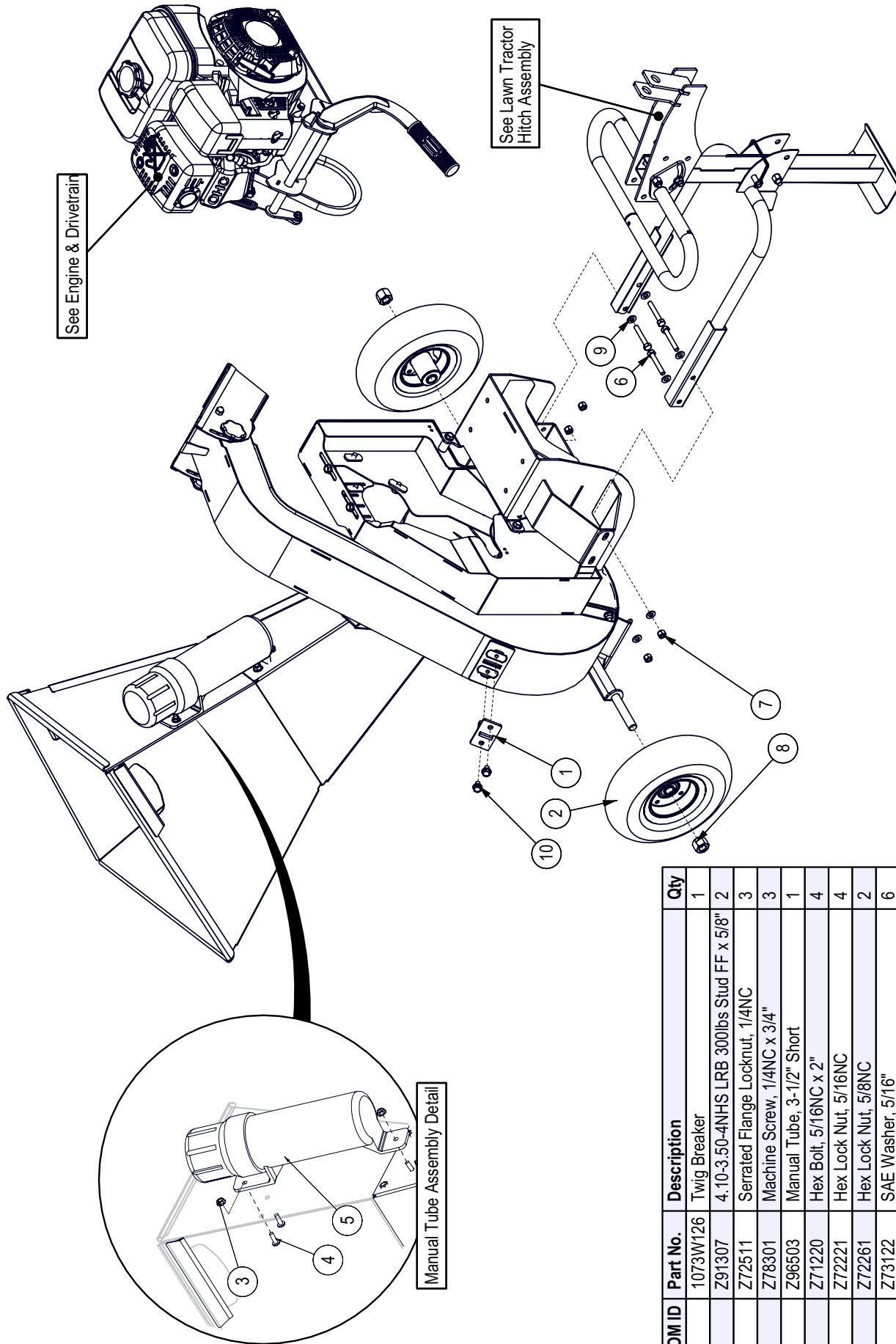
Bolt Diameter "A"	Bolt Torque*			
	8.8 (N.m) (lb-ft)		10.9 (N.m) (lb-ft)	
M3	0.5	0.4	1.8	1.3
M4	3	2.2	4.5	3.3
M5	6	4	9	7
M6	10	7	15	11
M8	25	18	35	26
M10	50	37	70	52
M12	90	66	125	92
M14	140	103	200	148
M16	225	166	310	229
M20	435	321	610	450
M24	750	553	1050	774
M30	1495	1103	2100	1550
M36	2600	1917	3675	2710



Torque figures indicated above are valid for non-greased or non-oiled threads and heads unless otherwise specified. Therefore, do not grease or oil bolts or capscrews unless otherwise specified in this manual. When using locking elements, increase torque values by 5%.

* Torque value for bolts and capscrews are identified by their head markings.

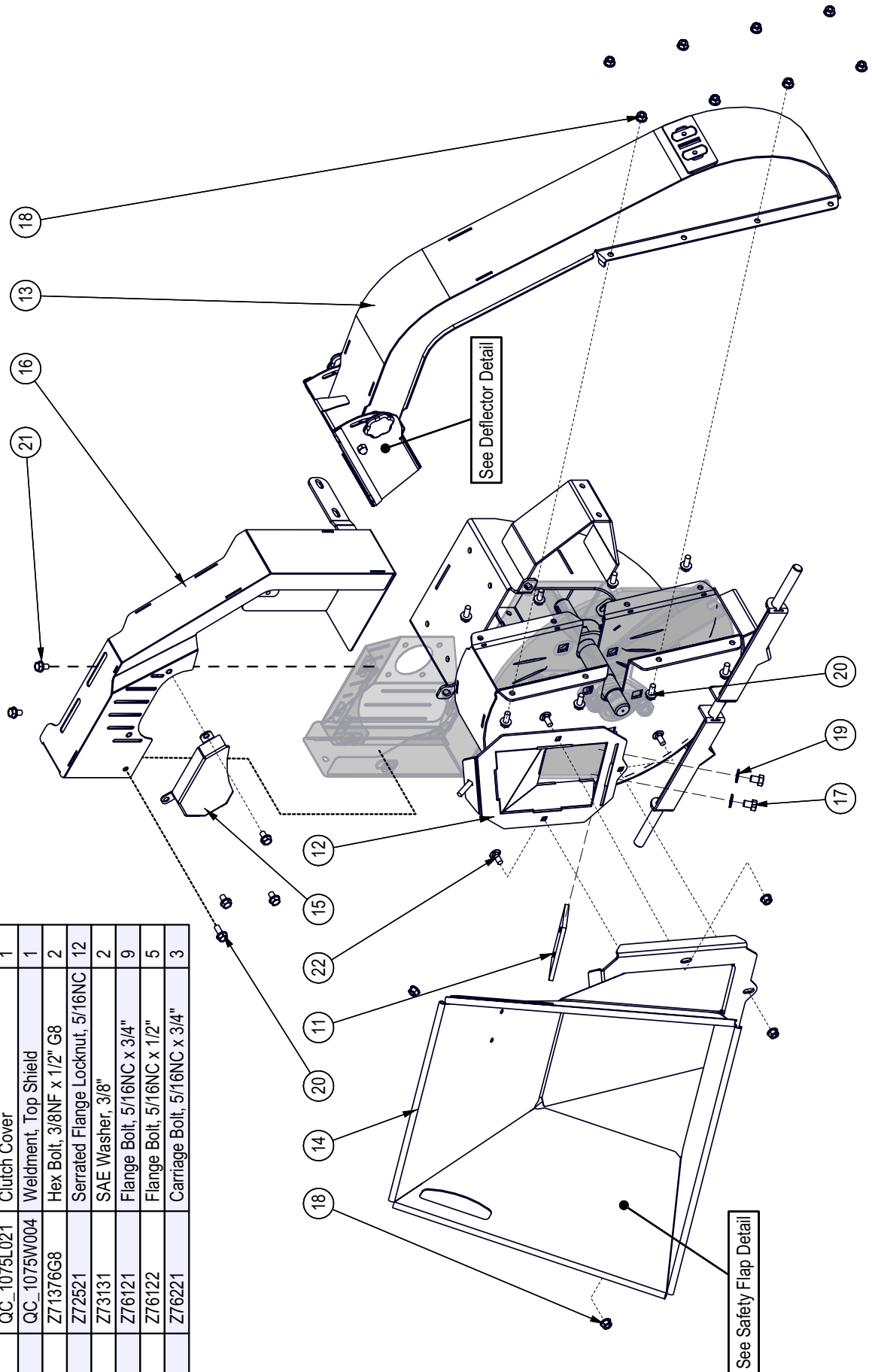
Main Parts



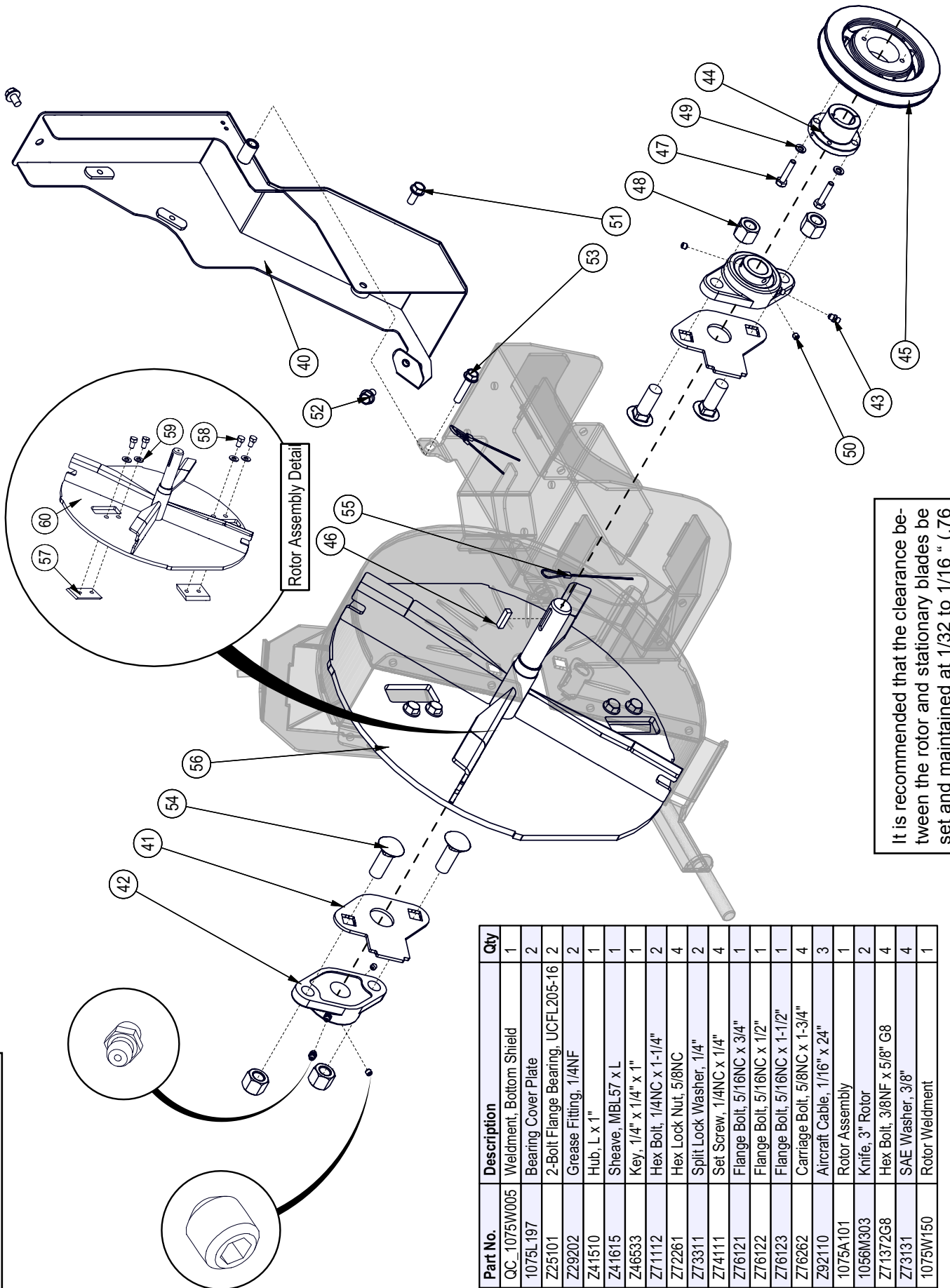
BOM ID	Part No.	Description	Qty
1	1073W126	Twig Breaker	1
2	Z91307	4.10-3.50-4NHS LRB 300lbs Stud FF x 5/8"	2
3	Z72511	Serrated Flange Locknut, 1/4NC	3
4	Z78301	Machine Screw, 1/4NC x 3/4"	3
5	Z96503	Manual Tube, 3-1/2" Short	1
6	Z71220	Hex Bolt, 5/16NC x 2"	4
7	Z72221	Hex Lock Nut, 5/16NC	4
8	Z72261	Hex Lock Nut, 5/8NC	2
9	Z73122	SAE Washer, 5/16"	6
10	Z76122	Flange Bolt, 5/16NC x 1/2"	2

Upper \ Lower Rotor Housing

BOM ID	Part No.	Description	Qty
11	1056M304	Knife, 3" Ledger	1
12	1075W151	Weldment, Lower Housing	1
13	1075W152	Weldment, Upper Housing	1
14	1075W159	Weldment, Feed Hopper	1
15	QC_1075L021	Clutch Cover	1
16	QC_1075W004	Weldment, Top Shield	1
17	Z11376G8	Hex Bolt, 3/8NF x 1/2" G8	2
18	Z12521	Serrated Flange Locknut, 5/16NC	12
19	Z13131	SAE Washer, 3/8"	2
20	Z16121	Flange Bolt, 5/16NC x 3/4"	9
21	Z16122	Flange Bolt, 5/16NC x 1/2"	5
22	Z16221	Carriage Bolt, 5/16NC x 3/4"	3



Rotor Parts

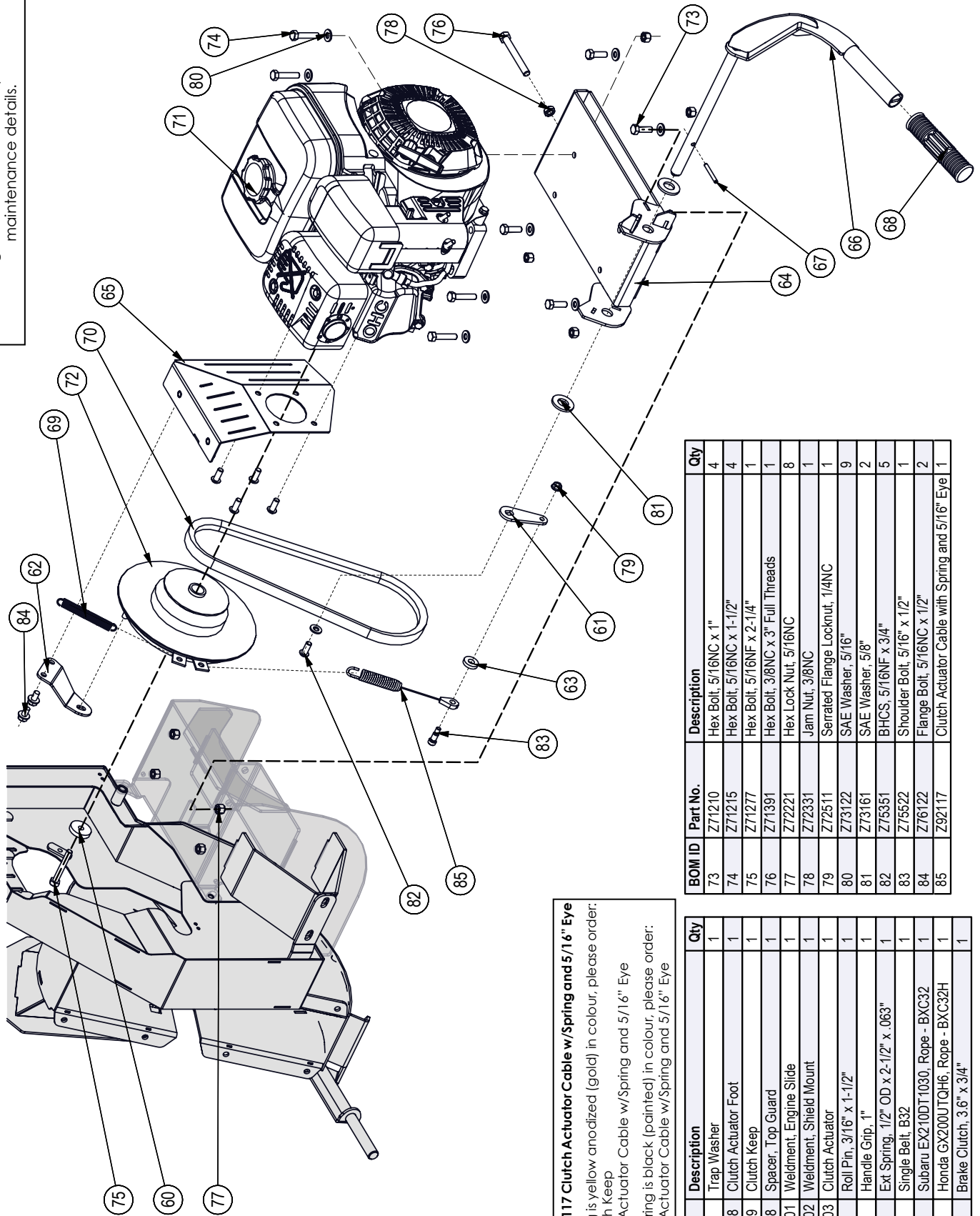


It is recommended that the clearance between the rotor and stationary blades be set and maintained at 1/32 to 1/16 " (.76 - 1.52 mm) to obtain the best performance.

BOM ID	Part No.	Description	Qty
40	QC_1075W005	Weldment, Bottom Shield	1
41	1075L197	Bearing Cover Plate	2
42	Z25101	2-Bolt Flange Bearing, UCFL205-16	2
43	Z29202	Grease Fitting, 1/4NF	2
44	Z41510	Hub, L x 1"	1
45	Z41615	Sheave, MBL57 x L	1
46	Z46533	Key, 1/4" x 1/4" x 1"	1
47	Z71112	Hex Bolt, 1/4NC x 1-1/4"	2
48	Z72261	Hex Lock Nut, 5/8NC	4
49	Z73311	Split Lock Washer, 1/4"	2
50	Z74111	Set Screw, 1/4NC x 1/4"	4
51	Z76121	Flange Bolt, 5/16NC x 3/4"	1
52	Z76122	Flange Bolt, 5/16NC x 1/2"	1
53	Z76123	Flange Bolt, 5/16NC x 1-1/2"	1
54	Z76262	Carriage Bolt, 5/8NC x 1-3/4"	4
55	Z92110	Aircraft Cable, 1/16" x 24"	3
56	1075A101	Rotor Assembly	1
57	1056M303	Knife, 3" Rotor	2
58	Z71372G8	Hex Bolt, 3/8NF x 5/8" G8	4
59	Z73131	SAE Washer, 3/8"	4
60	1075W150	Rotor Weldment	1

Engine and Driveline

Subaru SP210 & HONDA GX200 Gasoline Engine
See engine owners manual for parts and maintenance details.

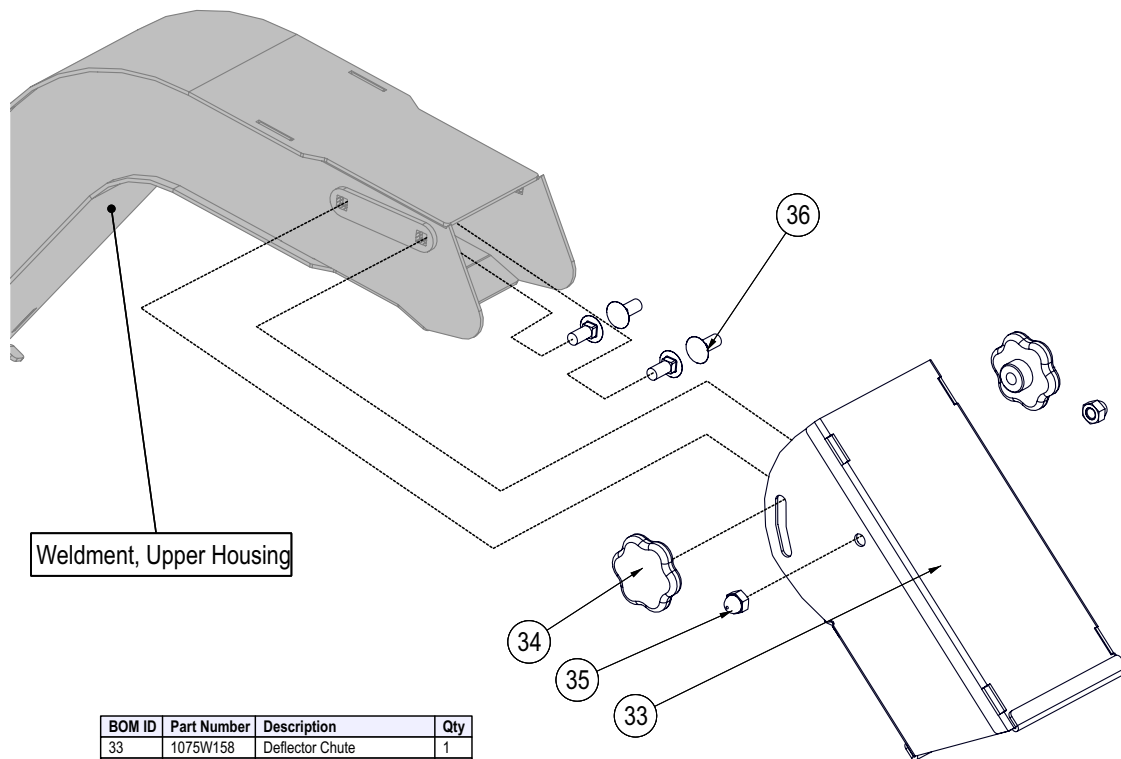


Note: Replacing Z92117 Clutch Actuator Cable w/Spring and 5/16" Eye
If your existing spring is yellow anodized (gold) in colour, please order:
• 1075L602 Clutch Keep
• Z92117 Clutch Actuator Cable w/Spring and 5/16" Eye
If your existing spring is black (painted) in colour, please order:
• Z92117 Clutch Actuator Cable w/Spring and 5/16" Eye

BOM ID	Part No.	Description	Qty
60	1073L255	Trap Washer	1
61	QC_1075L008	Clutch Actuator Foot	1
62	QC_1075L009	Clutch Keep	1
63	QC_1075L018	Spacer, Top Guard	1
64	QC_1075W001	Weldment, Engine Slide	1
65	QC_1075W002	Weldment, Shield Mount	1
66	QC_1075W003	Clutch Actuator	1
67	Z14151	Roll Pin, 3/16" x 1-1/2"	1
68	Z19321	Handle Grip, 1"	1
69	Z31304	Ext Spring, 1/2" OD x 2-1/2" x .063"	1
70	Z41164	Single Belt, B32	1
71	Z47714	Subaru EX210DT1030, Rope - BXC32	1
	Z47131	Honda GX200U/QH6, Rope - BXC32H	1
72	Z49301	Brake Clutch, 3.6" x 3/4"	1

BOM ID	Part No.	Description	Qty
73	Z71210	Hex Bolt, 5/16NC x 1"	4
74	Z71215	Hex Bolt, 5/16NC x 1-1/2"	4
75	Z71277	Hex Bolt, 5/16NF x 2-1/4"	1
76	Z71391	Hex Bolt, 3/8NC x 3" Full Threads	1
77	Z72221	Hex Lock Nut, 5/16NC	8
78	Z72331	Jam Nut, 3/8NC	1
79	Z72511	Serrated Flange Locknut, 1/4NC	1
80	Z73122	SAE Washer, 5/16"	9
81	Z73161	SAE Washer, 5/8"	2
82	Z75351	BHCS, 5/16NF x 3/4"	5
83	Z75522	Shoulder Bolt, 5/16" x 1/2"	1
84	Z76122	Flange Bolt, 5/16NC x 1/2"	2
85	Z92117	Clutch Actuator Cable with Spring and 5/16" Eye	1

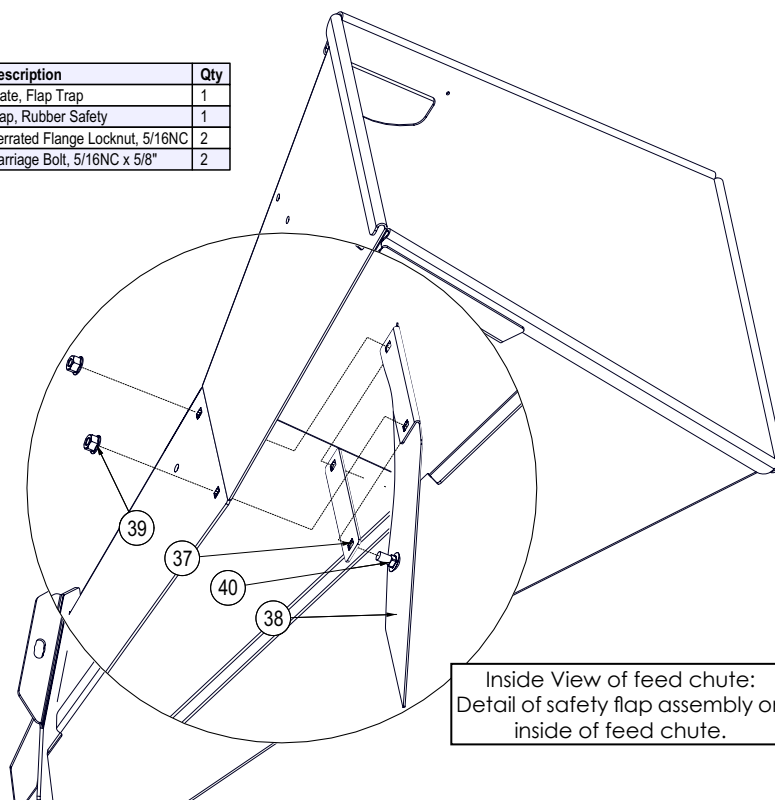
Deflector Detail



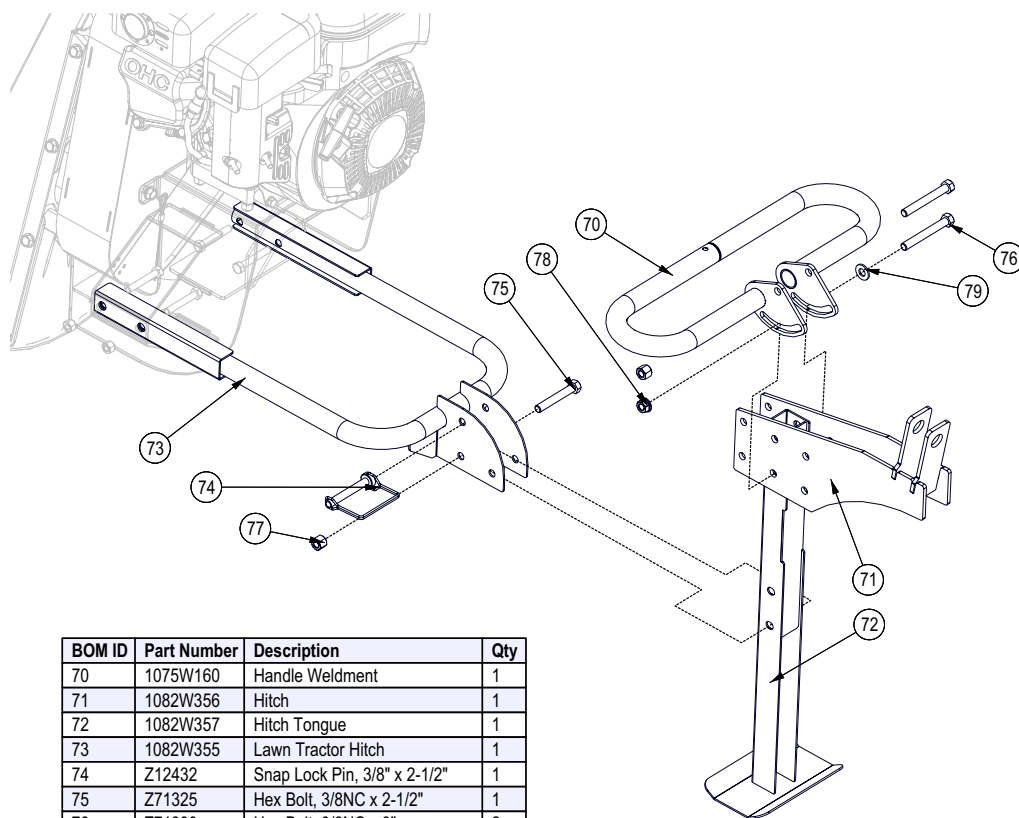
BOM ID	Part Number	Description	Qty
33	1075W158	Deflector Chute	1
34	Z19313	Knob, 5/16NC Female Stud	2
35	Z72914	Acorn Nut, 5/16NC	2
36	Z76221	Carriage Bolt, 5/16NC x 3/4"	4

Safety Flap Detail

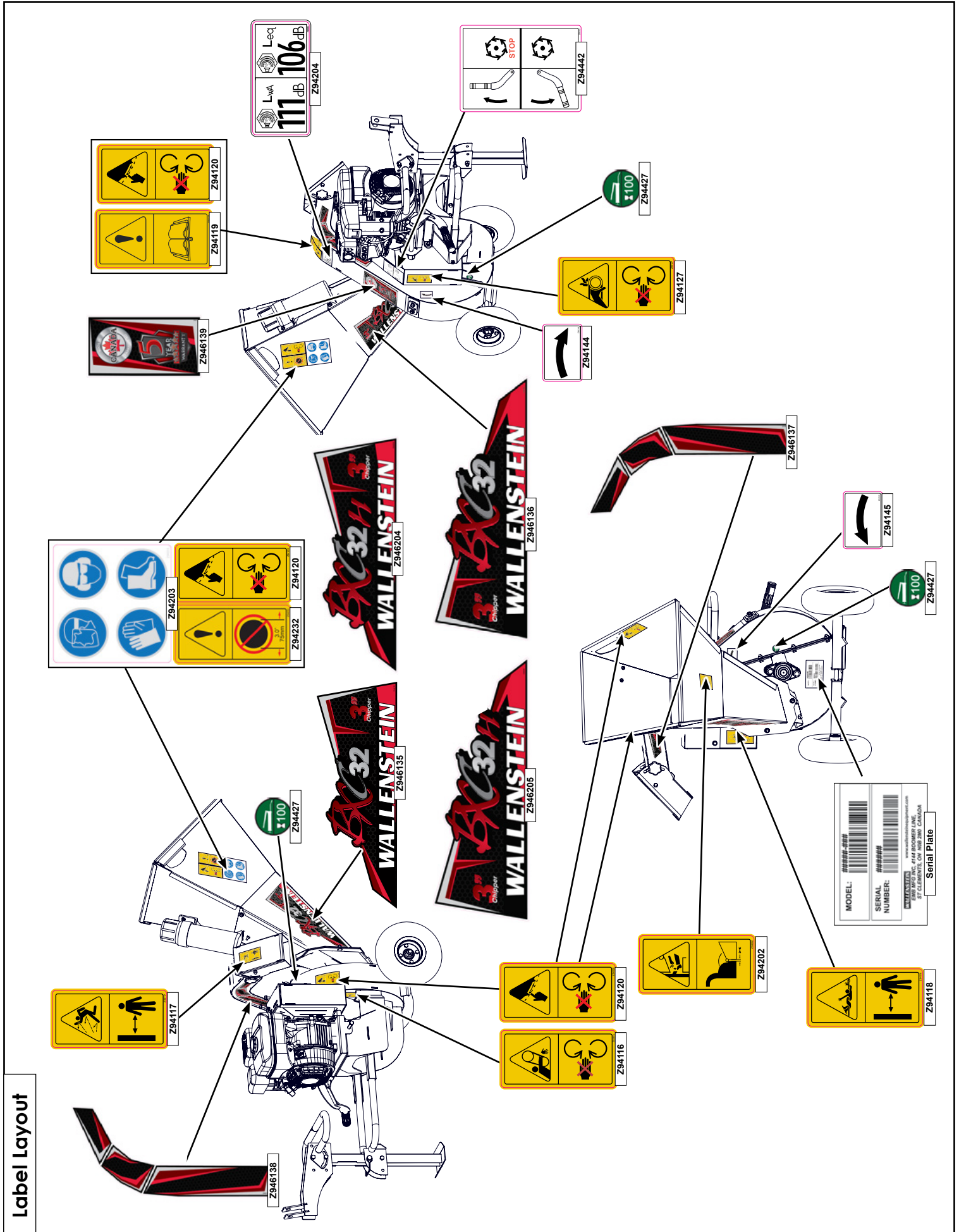
BOM ID	Part Number	Description	Qty
37	1075L214	Plate, Flap Trap	1
38	1075S154	Flap, Rubber Safety	1
39	Z72521	Serrated Flange Locknut, 5/16NC	2
40	Z76222	Carriage Bolt, 5/16NC x 5/8"	2



Hitch Assembly



BOM ID	Part Number	Description	Qty
70	1075W160	Handle Weldment	1
71	1082W356	Hitch	1
72	1082W357	Hitch Tongue	1
73	1082W355	Lawn Tractor Hitch	1
74	Z12432	Snap Lock Pin, 3/8" x 2-1/2"	1
75	Z71325	Hex Bolt, 3/8NC x 2-1/2"	1
76	Z71330	Hex Bolt, 3/8NC x 3"	2
77	Z72231	Hex Lock Nut, 3/8NC	2
78	Z72531	Serrated Flange Locknut, 3/8NC	1
79	Z73131	SAE Washer, 3/8"	1

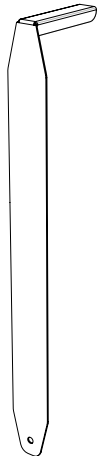


Label Layout

Accessories

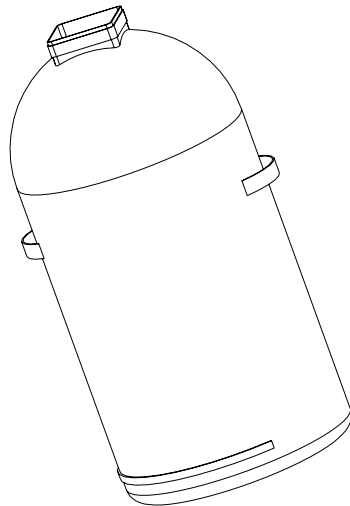
Call your dealer for pricing and availability

#1012L269

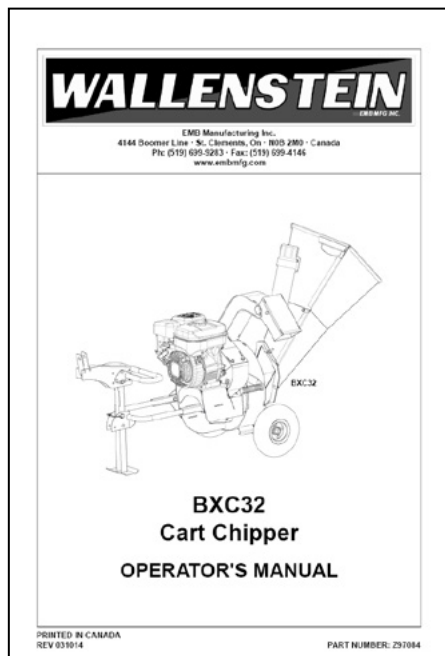


#1012L269 Ledger Clearance Setting Gauge.

#1082S352



#1082S352 Mulch Collector Bag.



#Z97084 GENERATOR OPERATOR'S MANUAL

Available as a download at
www.wallensteinequipment.com