



# **BX42R Chipper Parts Manual**

**Prior to S/N 142R00121**



## Foreword

EMB Mfg. has prepared this parts manual to assist customers in ordering quality OEM replacement parts.

Proper and regular service and replacing old, worn or broken parts with the correct Wallenstein parts are essential to prolonging the life of your Wallenstein product. Please refer to this manual before ordering any replacement parts.

All information contained in this parts manual is based on the latest product specification available at the time of printing this manual. If your product differs from the specifications contained within this manual contact EMB Mfg. for information.

EMB reserves the right to alter specifications on their products at any time.

Reproduction of this parts manual of any kind is prohibited without prior written permission from EMB Mfg.

**Note:** Products with factory installed light kits will have a VIN number included. The last six numbers of this VIN number are the splitters serial number

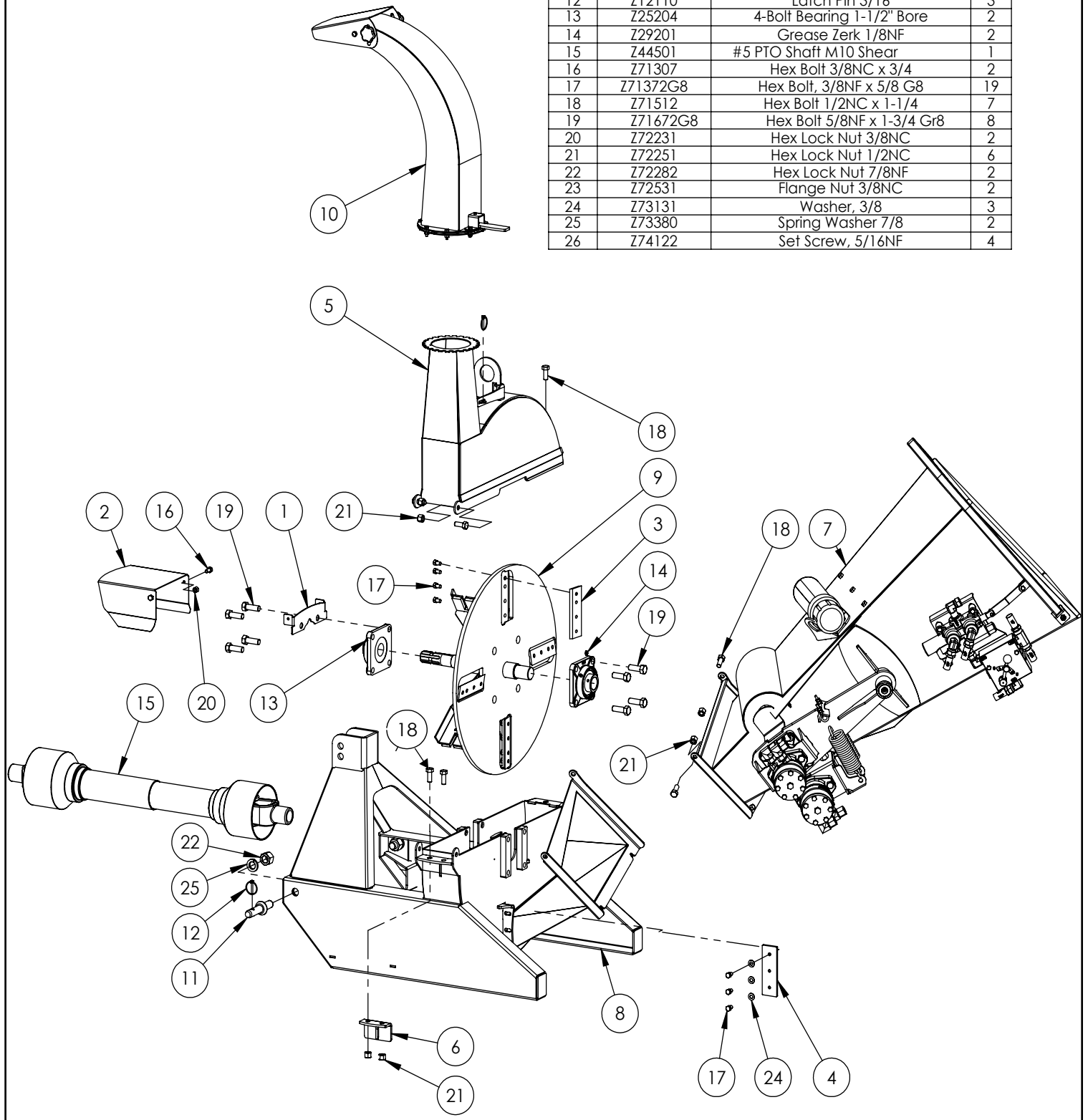
Example: 2E9US1112BSXXXXXX

# Table of Contents

Main Parts Breakdown	4
Discharge Chute Parts Breakdown	5
Roller Feed Chute Parts Breakdown	6
Z56203 Valve Breakdown	9
C3540 Mounting Instructions and Breakdown	10
Binacchi PTO Parts Breakdown	12
Decal Breakdown	14

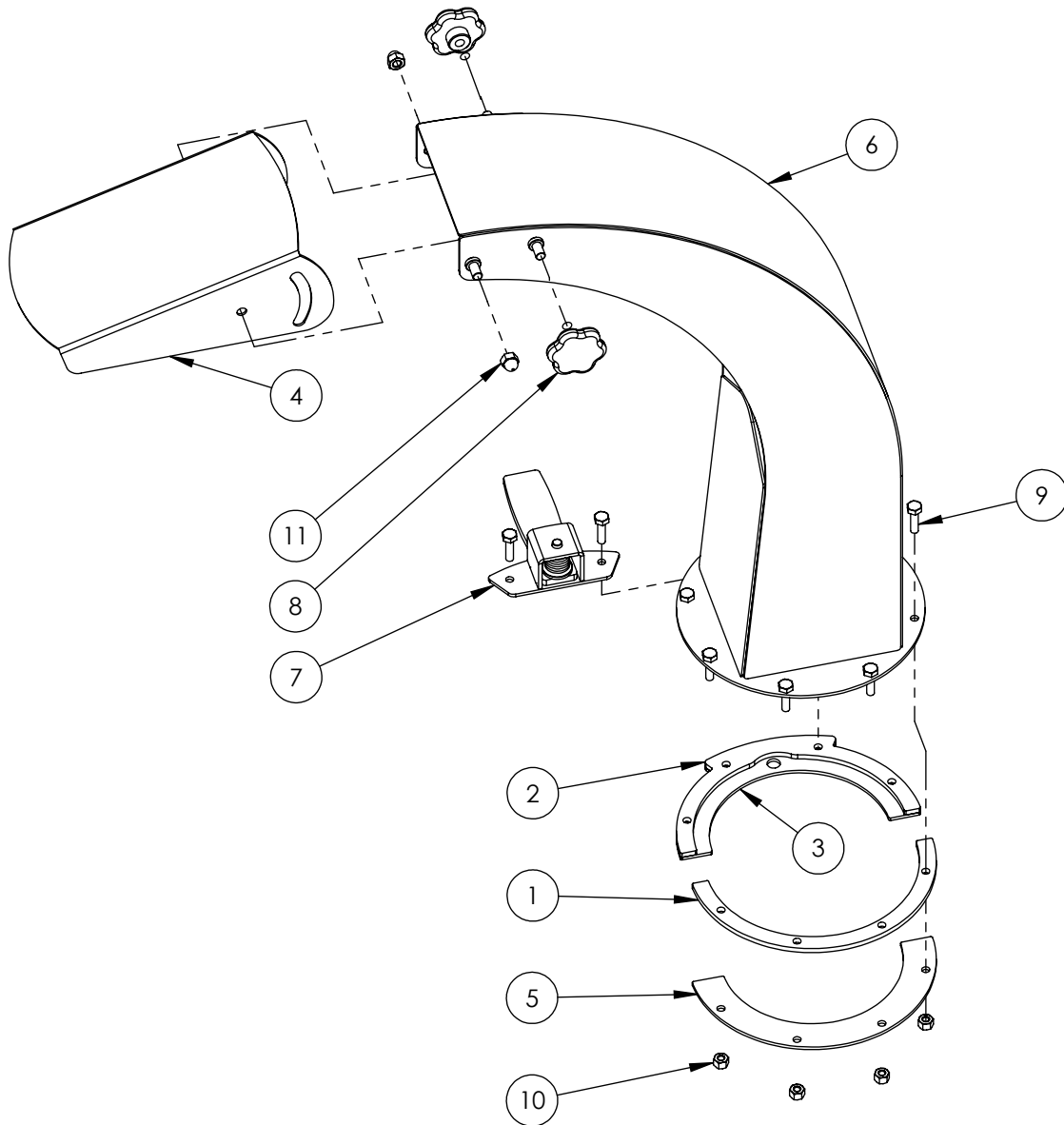
# BX42R Main Parts Breakdown

ITEM	PART NO.	DESCRIPTION	QTY
1	1011L106	Bracket, PTO Cover Mount	1
2	1011L112	PTO Cover	1
3	1011M103	Knife, 4" Rotor	4
4	1011M104	Knife, 4" Ledger	1
5	1011W102	Housing, Upper Rotor	1
6	1011W104	Twig Breaker	1
7	1013 420R	BX420R Roller Feed Chute	1
8	1013W101	Housing, Bottom Rotor	1
9	1013W493	Rotor, BX42R	1
10	1011A101	Assembly, Discharge Chute	1
11	Z11431	Implement Pin 7/8x5-1/2	2
12	Z12110	Latch Pin 3/16	3
13	Z25204	4-Bolt Bearing 1-1/2" Bore	2
14	Z29201	Grease Zerk 1/8NF	2
15	Z44501	#5 PTO Shaft M10 Shear	1
16	Z71307	Hex Bolt 3/8NC x 3/4	2
17	Z71372G8	Hex Bolt, 3/8NF x 5/8 G8	19
18	Z71512	Hex Bolt 1/2NC x 1-1/4	7
19	Z71672G8	Hex Bolt 5/8NF x 1-3/4 Gr8	8
20	Z72231	Hex Lock Nut 3/8NC	2
21	Z72251	Hex Lock Nut 1/2NC	6
22	Z72282	Hex Lock Nut 7/8NF	2
23	Z72531	Flange Nut 3/8NC	2
24	Z73131	Washer, 3/8	3
25	Z73380	Spring Washer 7/8	2
26	Z74122	Set Screw, 5/16NF	4



# BX42 DISCHARGE CHUTE PARTS BREAKDOWN

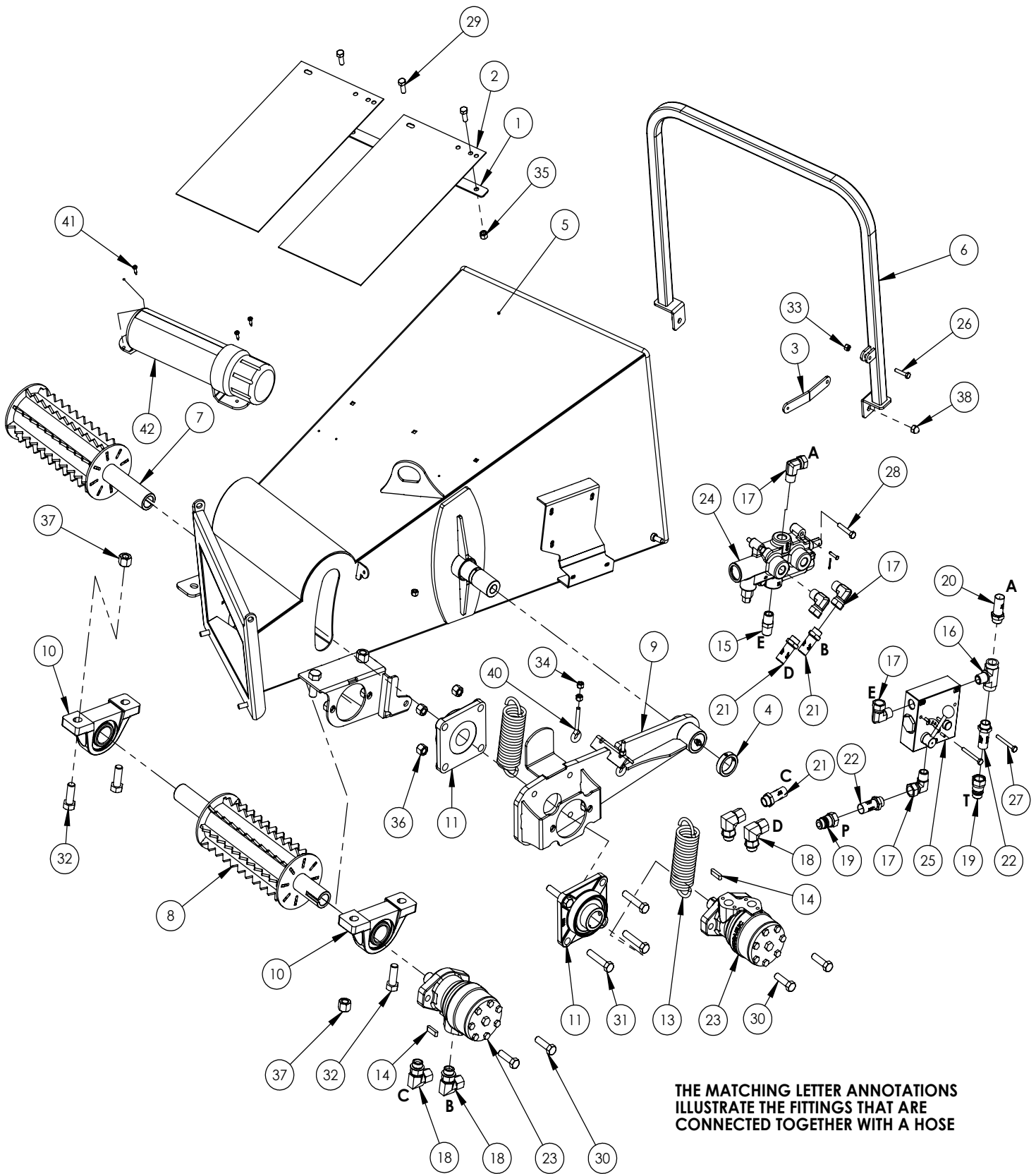
ITEM	PART NO.	DESCRIPTION	QTY
1	1011L127	Plate, Spacer Ring	1
2	1011L129	Plate, Spacer Ring	1
3	1011L130	Plate, Hood Capture	1
4	1011L133	Deflector, Discharge Chute	1
5	1011L134	Plate, Hood Capture	1
6	1011W106	Discharge Chute	1
7	1012W208	Assembly, Hood Latch	1
8	Z19313	Knob, 5/16NC Female Stud	2
9	Z71110	Hex Bolt 1/4NC x 1	8
10	Z72111	Hex Lock Nut 1/4NC	8
11	Z72914	Acorn Nut, 5/16NC	2



**BX42R ROLLER FEED CHUTE PARTS BREAKDOWN**

ITEM	PART NO.	DESCRIPTION	QTY
1	1011L151	Strap, Hopper Flap	1
2	1011S103	Flap, Hopper	2
3	1013L413	Feed Handle Link Bar	1
4	1013M025	Arm Capture Bushing	1
5	1013W200	Weldment, Main Hopper	1
6	1013W202	Feed Handle	1
7	1013W203	Drum, Upper Feed Roller	1
8	1013W204	Drum, Lower Feed Roller	1
9	1013W205	Roller Arm	1
10	Z24101	P208 Pillow Block 1-1/2	2
11	Z25204	4-Bolt Bearing 1-1/2" Bore	2
12	Z29201	Grease Fitting, 1/8NPT	1
13	Z31501	Spring 2 x 7 Heavy	2
14	Z46593	Chipper Key	2
15	Z51122	Nipple, MP x MP 0808	1
16	Z51161	Tee, FP x FP x MP 080808	1
17	Z51331	Elbow 90 MP x FPX 0808	5
18	Z51383	Elbow 90 ORB x FPX 0808	4
19	Z51926	FP08 x Pioneer Coupler	2
20	Z52302	1/2 Hose, 1/2NPT x 1/2NPT x 12"	1
21	Z52303	1/2 Hose, 1/2MP x 1/2MP x 36"	3
22	Z52304	1/2 Hose, 1/2MP x 1/2MP x 120"	2
23	Z54102	M&S Hydraulic Motor	2
24	Z56203	Control Valve, Single Spool	1
25	Z56303	Hydraulic Flow Control	1
26	Z71112	Hex Bolt 1/4NC x 1-1/4	1
27	Z71122	Hex Bolt 1/4NC x 2-1/4	2
28	Z71217	Hex Bolt 5/16NC x 1-3/4	3
29	Z71310	Hex Bolt 3/8NC x 1	3
30	Z71517	Hex Bolt, 1/2NC x 1-3/4	4
31	Z71525	Hex Bolt 1/2NC x 2-1/2	4
32	Z71617	Hex Bolt 5/8NC x 1-3/4	4
33	Z72111	Hex Lock Nut 1/4NC	3
34	Z72221	Hex Lock Nut 5/16NC	7
35	Z72231	Hex Lock Nut 3/8NC	3
36	Z72251	Hex Lock Nut 1/2NC	8
37	Z72261	Hex Lock Nut 5/8NC	4
38	Z72911	Acorn Nut, 3/8NC	2
39	Z74110	Set Screw 1/4NC	2
40	Z76522	Eye Bolt 5/16NC x 2	2
41	Z76712	Self-tapping Screw #10	3
42	Z96502	Manual Tube 3-1/2	1

### BX42R ROLLER FEED CHUTE PARTS BREAKDOWN

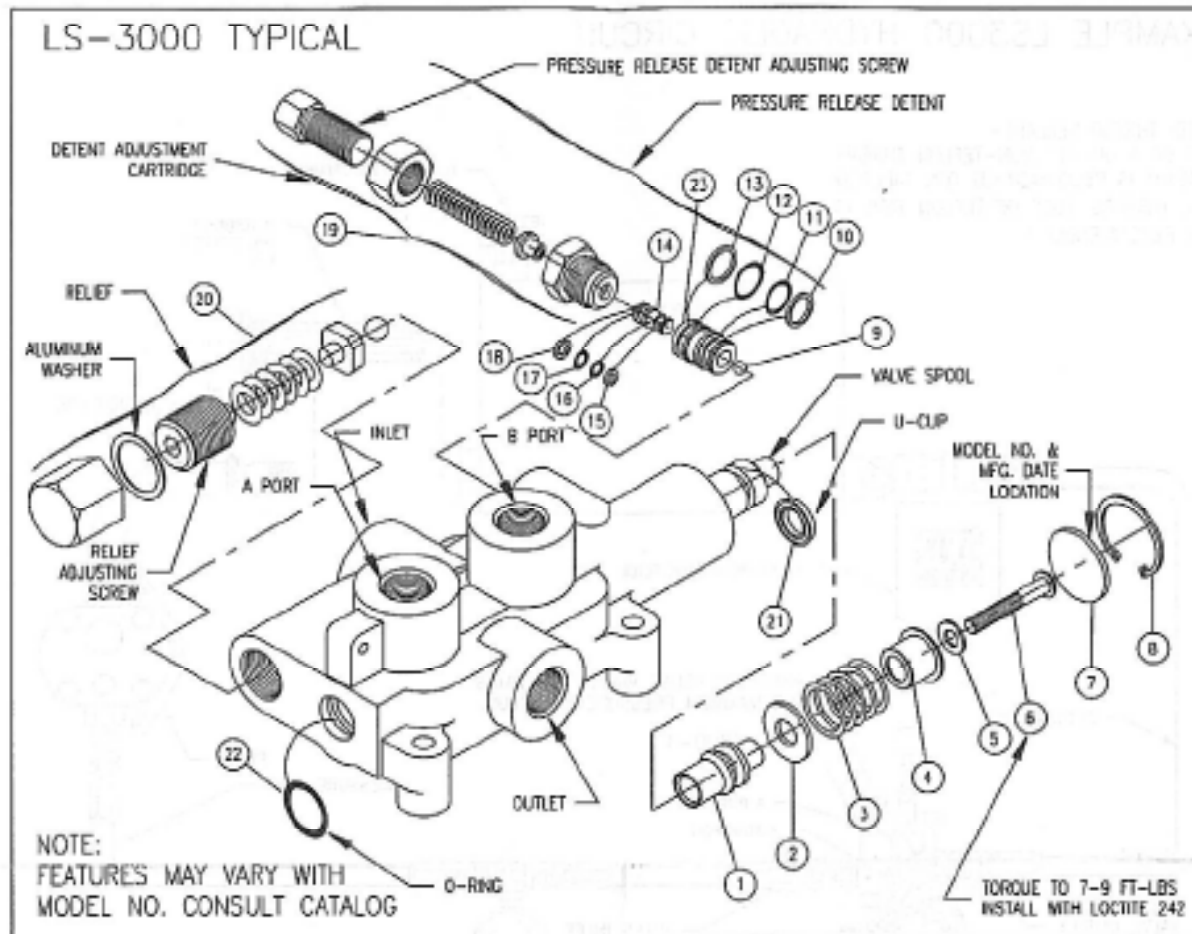


THE MATCHING LETTER ANNOTATIONS ILLUSTRATE THE FITTINGS THAT ARE CONNECTED TOGETHER WITH A HOSE

This Page is Intentionally Blank



## Z56203 Valve Breakdown



**PLEASE NOTE:**  
BEFORE REMOVING VALVE SPOOL OR SPOOL SLEEVE REMOVE DETENT ADJUSTING CARTRIDGE, DETENT PISTON AND STEEL BALL. INSTALL SPOOL AND SPOOL SLEEVE BEFORE REINSTALLING STEEL BALL.

**PRESSURE RELEASE DETENT**  
This feature provides a pressure release detent for the spool 'out' (handle in) position. When the spool is manually placed in the detent position oil is directed to the 'B' work port (the port away from the handle). When the pressure in the 'B' port reaches a preset level the detent will release and the spool will center. The factory setting is 1400 psi. The detent release pressure is adjustable by loosening the jam nut and turning the adjusting screw. Turning the adjusting screw clockwise will increase the detent release pressure and counterclockwise will decrease the detent release pressure. NOTE: if the detent release pressure is set too high the spool will not center, if the pressure is too low the detent will not hold. If cap screw item 6 becomes loose detent will not function properly.

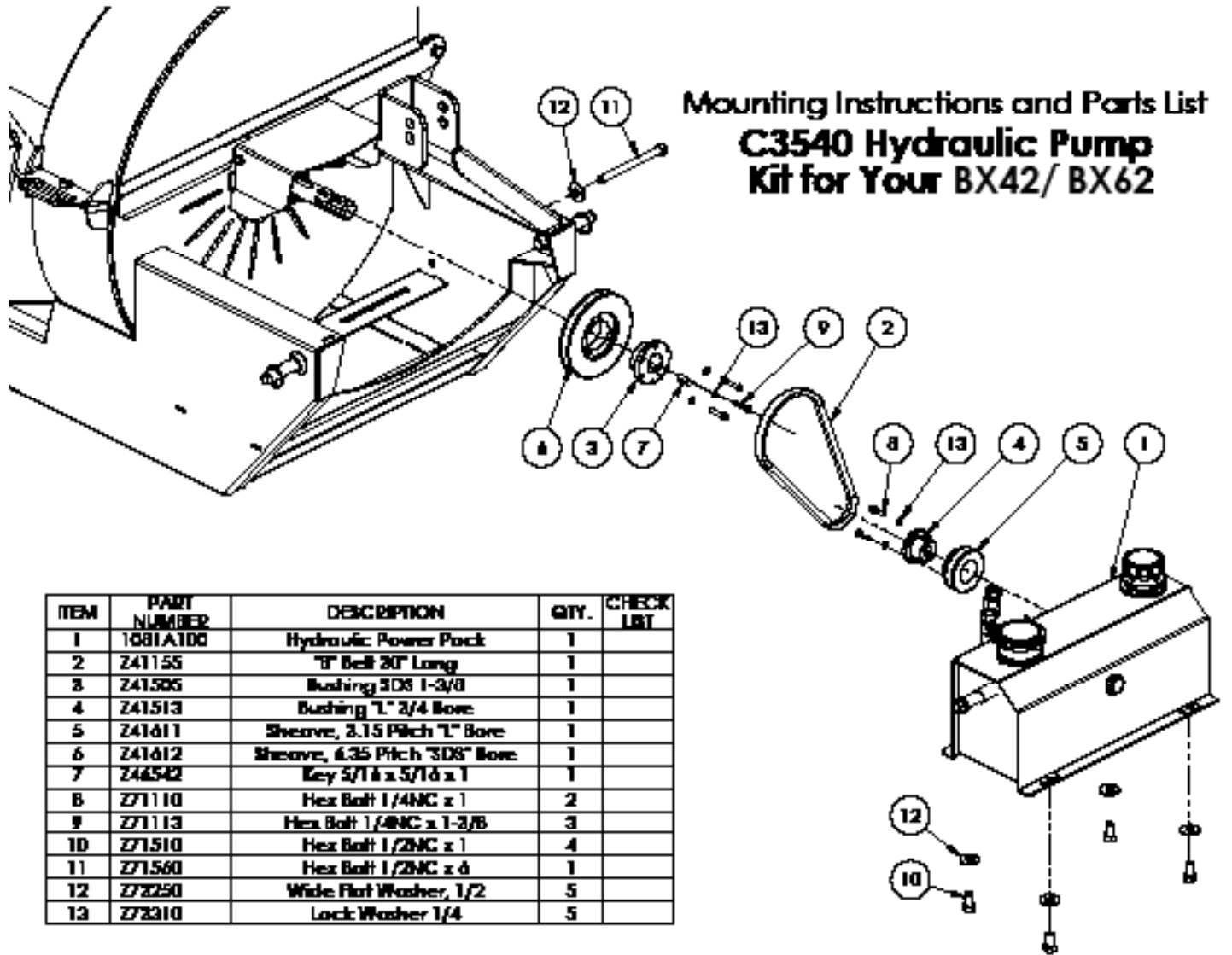
**RELIEF VALVE**  
An adjustable ball spring relief valve is standard on all LS-3000 valves. The standard factory setting is 2250 psi @ 3 gpm and 120F. Other settings can be specified. The relief pressure is adjusted by removing jam nut, and turning the adjusting screw. Turning the adjusting screw clockwise will increase the pressure and counterclockwise will decrease the pressure (a pressure gauge must be installed in the inlet line whenever the relief pressure is adjusted). Do not backout adjusting screw to the point it falls out.

**WARNING:** OVERPRESSURE MAY CAUSE SUDDEN AND UNEXPECTED FAILURE OF A COMPONENT IN THE HYDRAULIC SYSTEM RESULTING IN SERIOUS PERSONAL INJURY. ALWAYS USE A GAUGE WHEN ADJUSTING A RELIEF VALVE.

### LS-3000 KITS AND CARTRIDGES

ITEM	QTY	PART NO.	DESCRIPTION
1	1	670700019	DETENT SLEEVE
2	1	670300033	WASHER
3	1	670300020	SPRING
4	1	671400010	STOP CUP
5	1	670500026	WASHER
6	1	220000953	CAP SCREW
7	1	670500032	SPACER
8	1	230001125	SNAP RING
9	1	230000009	STEEL BALL
10	1	240019013	BACK-UP WASHER
11	1	240000013	O-RING
12	1	240000014	O-RING
13	1	240019014	BACK-UP WASHER
14	1	671100011	PISTON
15	1	240019007	BACK-UP WASHER
16	1	240016067	O-RING
17	1	240016068	O-RING
18	1	240019008	BACK-UP WASHER
19	1	660330002	DETENT ADJUSTING CARTRIDGE
20	1	660125004	RELIEF KIT
21	1	240016086	U-CLIP
22	1	240000010	O-RING
25	1	671100012	PISTON SLEEVE
		660530001	LS-3000 SEAL KIT
		660125004	RELIEF KIT
		660330002	DETENT ADJUSTING CARTRIDGE
		660130007	PRESSURE RELEASE DETENT KIT
		660130001	COMPLETE HANDLE KIT

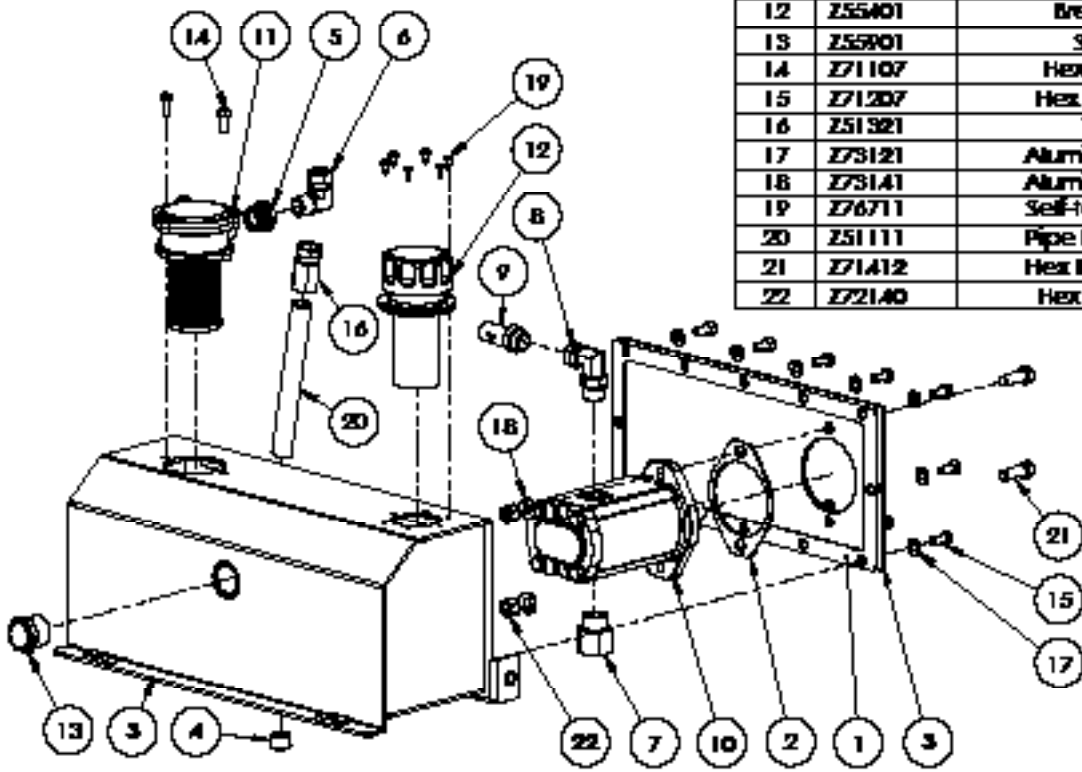
### C3540 Mounting Instructions (optional)



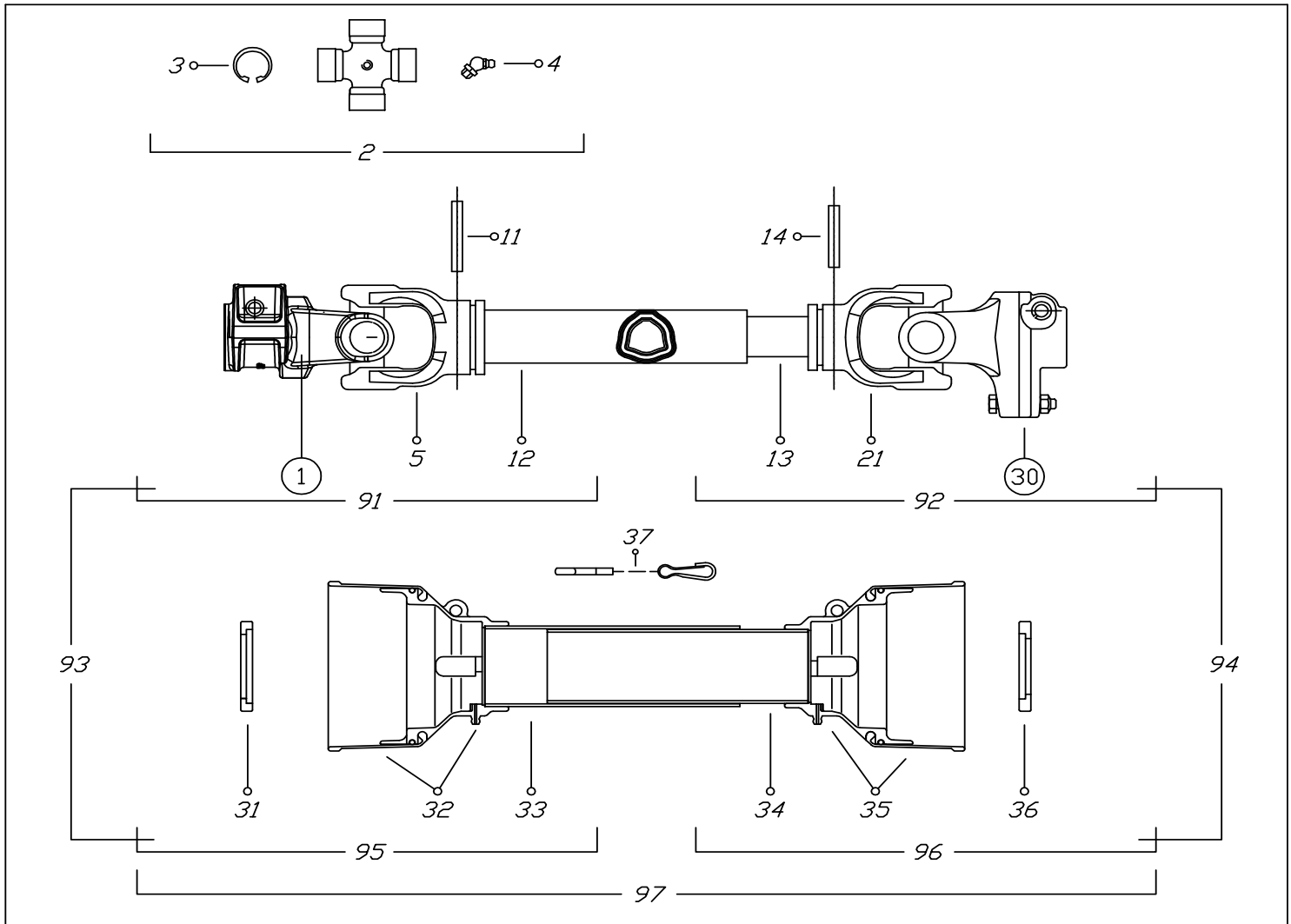
### C3540 Parts Breakdown (optional)

## 1081A100 Hydraulic Power Pack Parts List

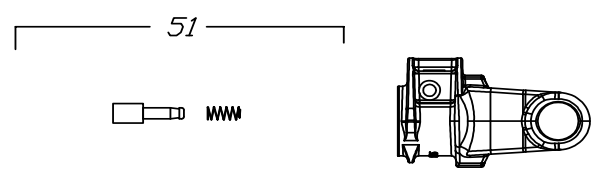
ITEM	PART NUMBER	DESCRIPTION	QTY.
1	1081S101	Gasket, Tank	1
2	1081S102	Gasket, Pump	1
3	1081W101	Tank	1
4	Z51192	Socket Plug 1/2NPT	1
5	Z51221	Reducer, 3/4NPT x 1/2NPT	1
6	Z51331	1/2NPT x 1/2NPT Fern Swivel	1
7	Z51741	#1200B x 3/4 NPT Adapter	1
8	Z51751	#1000B x 1/2NPT 90 Elbow	1
9	Z52301	1/2 Hose 1/2NPT x 1/2NPT x 18"	1
10	Z53101	Solarmi Pump - Oilingger Bearing	1
11	Z55201	Tank Mounted Return Filter	1
12	Z55401	Breather Filter Cap	1
13	Z55901	Site Glass 1NPT	1
14	Z71107	Hex Bolt 1/4NC x 3/4	2
15	Z71207	Hex Bolt 5/16NC x 3/4	12
16	Z51521	1/2FP x 1/2FPx	1
17	Z73121	Aluminum Washer, 5/16	12
18	Z73141	Aluminum Washer, 7/16	2
19	Z76711	Self-tapping Screw #10	6
20	Z51111	Pipe Nipple, 1/2NPT x 7"	1
21	Z71412	Hex Bolt 7/16NC x 1-1/4	2
22	Z72140	Hex Lock Nut 7/16NC	2



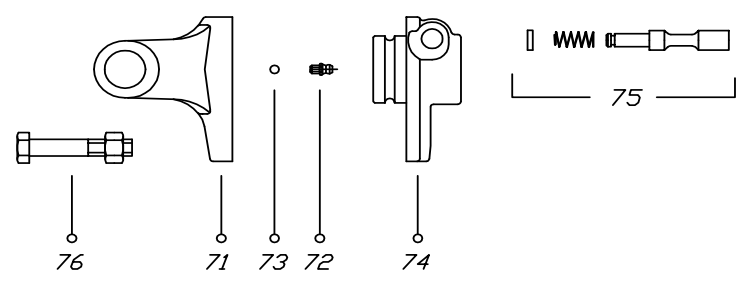
### Binacchi PTO Parts Breakdown



①



③①



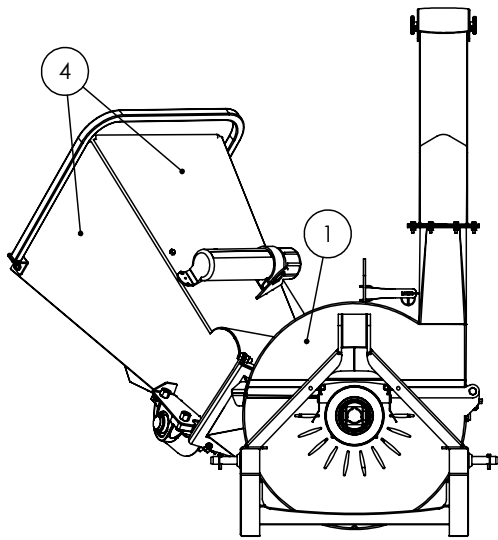
## Binacchi PTO Parts List

<b>BINACCHI PTO SPARE PARTS LIST : B5090E098002</b>			
<b>POS.</b>	<b>DESCRIPTION</b>	<b>Q.</b>	<b>PART #</b>
01	YOKE	1	0800503
02	CROSS JOURNAL ASSY	2	08205
03	CIRCLIP	8	09802030
04	GREASE NIPPLE	2	09840081002
05	OUTER TUBE YOKE	1	08005021
11	FLEXIBLE PIN	1	098700870
12	CM. 100 CARDAN TUBE(*)	1	09881523100
13	CM. 100 CARDAN TUBE(*)	1	09881454100
14	FLEXIBLE PIN	1	098700865
21	INNER TUBE YOKE	1	08005011
30	SHEAR BOLT	1	08805A604633
31	O.BEARING	1	0265150007
32	O.BASIC CONE	1	0256050324
33	OUTER SAFETY TUBE	1	0988981B5090
34	INNER SAFETY TUBE	1	0988975B5090
35	I.BASIC CONE	1	0256050325
36	I.BEARING	1	0265150008
37	CHAIN	1	0252000001
51	COMPLETE PUSH BUTTTON	1	0986014047
71	YOKE FOR LB5	1	08896905
72	GREASE NIPPLE	1	0984010150
73	STEEL BALL	23	098680104
74	HUB	1	088965A60
75	PUSH PIN SET	1	0986014075
76	NUT AND BOLT M10 X 1.5 X 55 10.9	1	Z19407 (5 PACK)
91	OUTER HALF SHAFT	1	B509002
92	INNER HALF SHAFT	1	B509001098002
93	OUTER HALF SHAFT	1	B5090E2
94	INNER HALF SHAFT	1	B5090E1098002
95	OUTER HALF SAFETY GUARD	1	083E050902
96	INNER HALF SAFETY GUARD	1	083E050901
97	SAFETY GUARD	1	083E05090

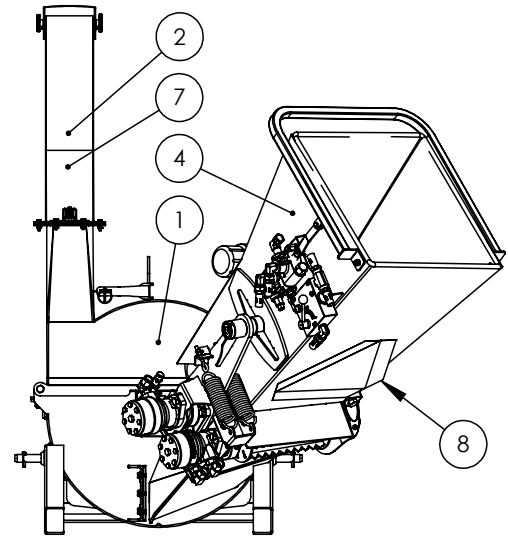
Note: Always check brand of PTO shaft when ordering PTO parts. For other brands then the Binacchi shafts shown above please call the factory @ 877-695-9283.

### BX42R DECAL BREAKDOWN

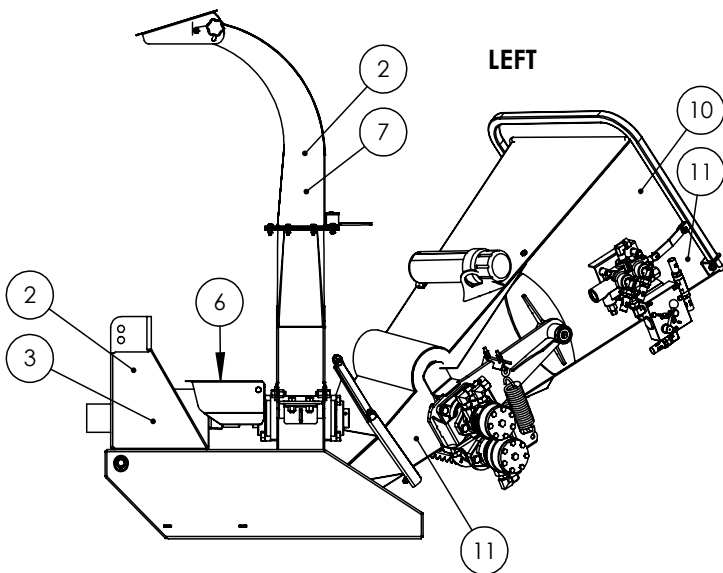
ITEM	PART NO.	DESCRIPTION	QTY
1	Z94056	WALLENSTEIN Decal	2
2	Z94019	1" Dia. Made In Canada	5
3	Z94010	BX42 Triangle Decal	2
4	Z94007	DANGER - Rotating Blades	4
5	Z94006	CAUTION - Read Manual	1
6	Z94009	DANGER - Rotating Driveline Hazard	1
7	Z94008	DANGER - Thrown Object Hazard	3
8	Z94601	SMV Decal	1
9	Z94015	Reverse, Neutral, Feed - RH	1
10	Z94014	Reverse, Neutral, Feed - LH	1
11	Z94005	High Pressure	2



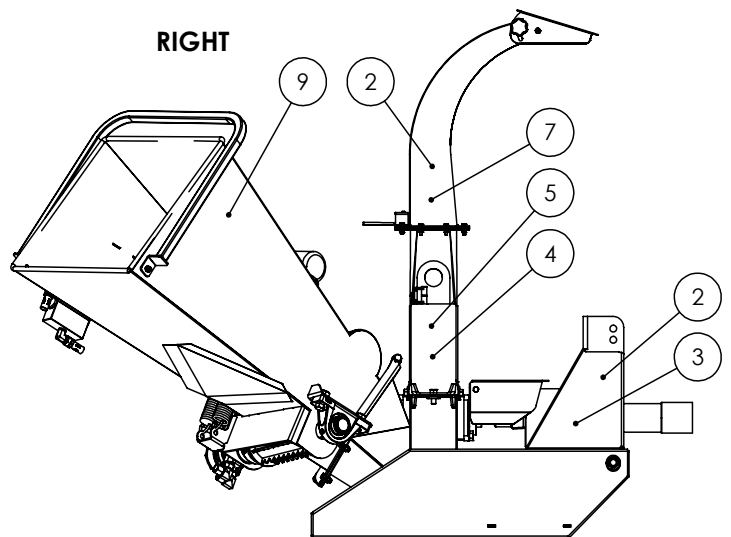
FRONT



BACK



LEFT



RIGHT

# Decals BX42R

Z94056



Z94010



Z94019



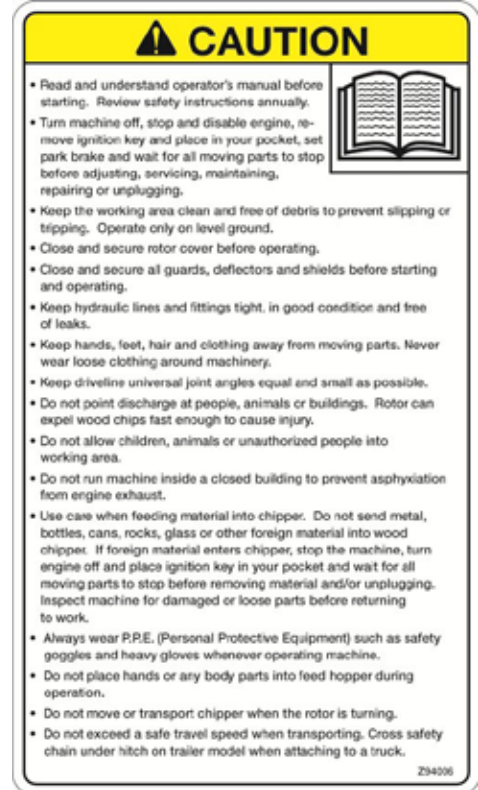
Z94007



Z94601



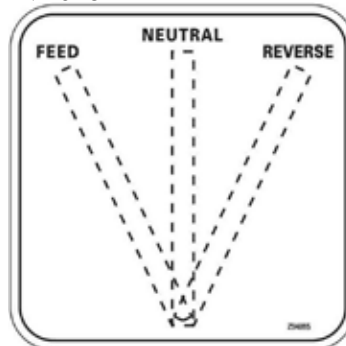
Z94006



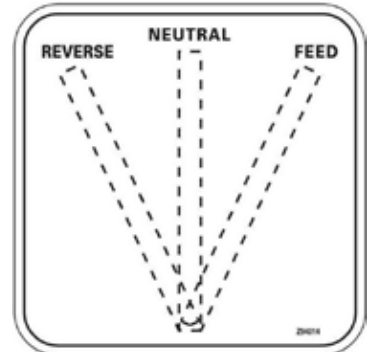
Z94009



Z94015



Z94014



Z94008



Z94005





**WALLENSTEIN Products Manufactured by:**

**EMB MFG Inc.**

4144 Boomer Line  
St. Clements, Ontario  
Canada N0B 2M0  
Phone: 1-877-695-9283  
Fax: 519-699-4146  
[www.embmfg.com](http://www.embmfg.com)