



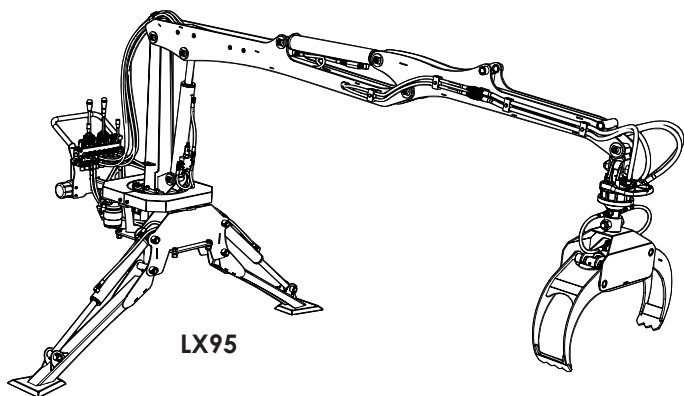
EMB Manufacturing Inc.
4144 Boomer Line · St. Clements, On · N0B 2M0 · Canada
Ph: (519) 699-9283 · Fax: (519) 699-4146
www.embmfg.com

LX95 Timber Talon Grapple

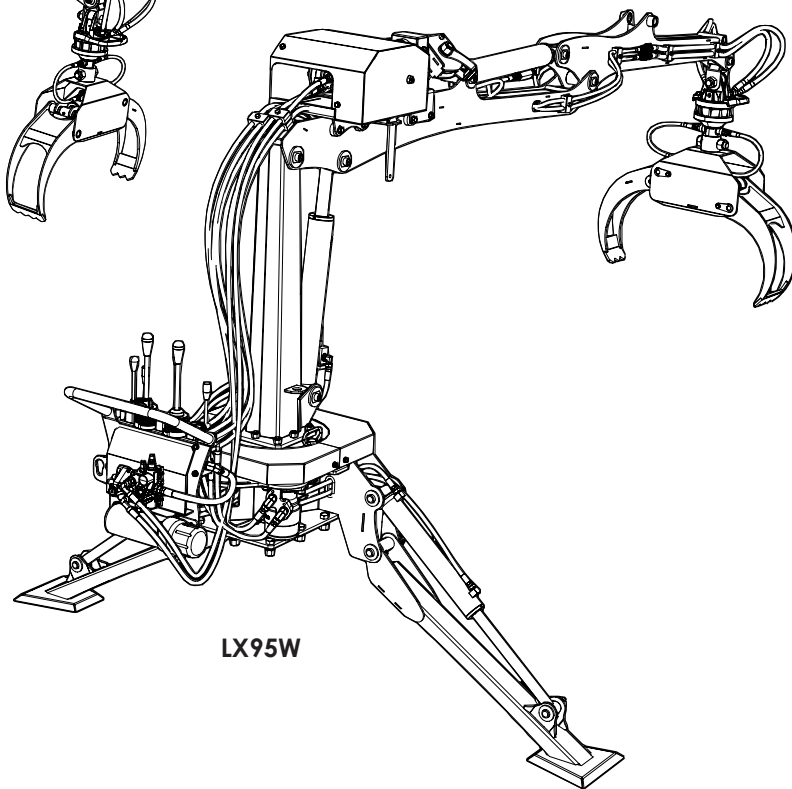
Parts Manual

Models LX95, LX95W & LX95PW

Starting with S/N 95X35 and on



LX95



LX95W



Refer to the operators manual for safe operation and maintenance

Foreword

EMB Mfg. has prepared this parts manual to assist customers in ordering quality OEM replacement parts.

Proper and regular service and replacing old, worn or broken parts with the correct OEM parts are essential to prolonging the life of your EMB product. Please refer to this manual before ordering any replacement parts.

All information contained in this parts manual is based on the latest product specification available at the time of printing this manual. If your product differs from the specifications contained within this manual contact EMB Mfg. for information.

EMB reserves the right to alter specifications on their products at any time.

Reproduction of this parts manual of any kind is prohibited without prior written permission from EMB Mfg.

For parts and information please contact your dealer. If your dealer is no longer available please go to our website: <http://www.wallensteinequipment.com> and click on "FIND A DEALER NEAR YOU" for information on a local dealer.

Table of Contents

Bolt Torque	4
Hydraulic Fitting Torque	5
Wheel Lug Torque	5
LX95 / LT30 Variation Chart	6
Control Panel Ass'y	7
Stabilizer Ass'y	8
Slew Housing Ass'y	9
Main Tower Ass'y	10
Main Tower Bearing Ass'y	11
Main Boom Ass'y	12
Dipper Boom Ass'y	13
Grapple Ass'y	14
Power Pack Engine / Pump	15
Power Pack Tank Ass'y	16
Hydraulic Winch Kit	17
Hydraulic Winch Control Ass'y	18
Hydraulic Winch Assembly	19
Winch Drum Detail	20
Top Cable Pulley Detail	20
Cylinders & Seal Installation	21
Seal Kits	23
Hydraulic Schematics	24
Hydraulic Hose List	25
Labels	27
Accessories	28

Maintenance should be performed by
trained personnel only.



Refer to the operators
manual for safe
operation and
maintenance

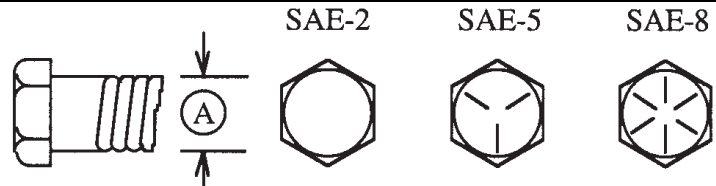
Bolt Torque

CHECKING BOLT TORQUE

The tables shown below give correct torque values for various bolts and capscrews. Tighten all bolts to the torques specified in chart unless otherwise noted. Check tightness of bolts periodically, using bolt torque chart as a guide. Replace hardware with the same strength bolt.

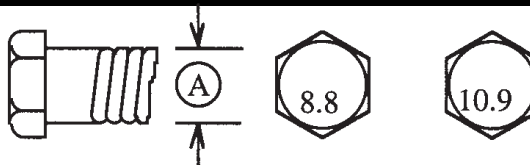
ENGLISH TORQUE SPECIFICATIONS

Bolt Diameter "A"	Bolt Torque*					
	SAE 2 (N.m) (lb-ft)		SAE 5 (N.m) (lb-ft)		SAE 8 (N.m) (lb-ft)	
1/4"	8	6	12	9	17	12
5/16"	13	10	25	19	36	27
3/8"	27	20	45	33	63	45
7/16"	41	30	72	53	100	75
1/2"	61	45	110	80	155	115
9/16"	95	60	155	115	220	165
5/8"	128	95	215	160	305	220
3/4"	225	165	390	290	540	400
7/8"	230	170	570	420	880	650
1"	345	225	850	630	1320	970



METRIC TORQUE SPECIFICATIONS

Bolt Diameter "A"	Bolt Torque*			
	8.8 (N.m) (lb-ft)		10.9 (N.m) (lb-ft)	
M3	0.5	0.4	1.8	1.3
M4	3	2.2	4.5	3.3
M5	6	4	9	7
M6	10	7	15	11
M8	25	18	35	26
M10	50	37	70	52
M12	90	66	125	92
M14	140	103	200	148
M16	225	166	310	229
M20	435	321	610	450
M24	750	553	1050	774
M30	1495	1103	2100	1550
M36	2600	1917	3675	2710



Torque figures indicated above are valid for non-greased or non-oiled threads and heads unless otherwise specified. Therefore, do not grease or oil bolts or capscrews unless otherwise specified in this manual. When using locking elements, increase torque values by 5%.

* Torque value for bolts and capscrews are identified by their head markings.

Hydraulic Fitting Torque

Tightening Flare Type Tube Fittings *

1. Check flare and flare seat for defects that might cause leakage.
2. Align tube with fitting before tightening.
3. Lubricate connection and hand tighten swivel nut until snug.
4. To prevent twisting the tube(s), use two wrenches. Place one wrench on the connector body and with the second tighten the swivel nut to the torque shown.

Tube Size OD (in.)	Nut Size Across Flats (in.)	Torque Value*		Recommended Turns To Tighten (After Finger Tightening)	
		(N.m)	(lb-ft)	(Flats)	(Turn)
3/16	7/16	8	6	1	1/6
1/4	9/16	12	9	1	1/6
5/16	5/8	16	12	1	1/6
3/8	11/16	24	18	1	1/6
1/2	7/8	46	34	1	1/6
5/8	1	62	46	1	1/6
3/4	1-1/4	102	75	3/4	1/8
7/8	1-3/8	122	90	3/4	1/8

The torque values shown are based on lubricated connections as in reassembly.

Wheel Lug Torque

It is extremely important safety procedure to apply and maintain proper wheel mounting torque on your trailer axle. Torque wrenches are the best method to assure the proper amount of torque is being applied to a fastener.

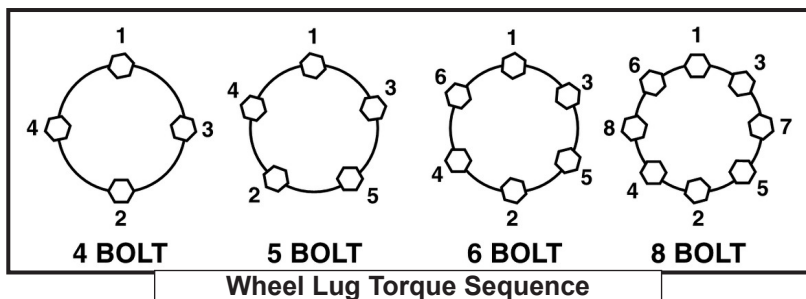
Wheel lugs should be torqued before first road use and after each wheel removal. Check and re torque after the first 16Km (10 miles), 40Km (25 miles), and again at 80Km (50 miles). Check periodically thereafter.

Note: Wheel lugs must be applied and maintained at the proper torque levels to prevent loose wheels, broken studs, and possible dangerous separation of wheels from your axle.

- Start all lugs by hand to prevent cross threading.
- Tighten lugs in sequence, per wheel lug torque sequence chart.
- The tightening of the fasteners should be done in stages. Following the recommended sequence, tighten fasteners per wheel torque requirements chart.

Wheel Torque Requirements

Wheel Size	Torque Unit	1st Stage	2nd Stage	3rd Stage
8"	ft-lbs	12 - 20	30 - 35	45 - 55
	Nm	16 - 26	39 - 45.5	58.5 - 71.5
12"	ft-lbs	20 - 25	35 - 40	50 - 60
	Nm	26 - 32.5	45.5 - 52	65 - 78
13"	ft-lbs	20 - 25	35 - 40	50 - 60
	Nm	26 - 32.5	45.5 - 52	65 - 78
14"	ft-lbs	20 - 25	50 - 60	90 - 120
	Nm	26 - 32.5	65 - 78	117 - 156
15"	ft-lbs	20 - 25	50 - 60	90 - 120
	Nm	26 - 32.5	65 - 78	117 - 156
16"	ft-lbs	20 - 25	50 - 60	90 - 120
	Nm	26 - 32.5	65 - 78	117 - 156

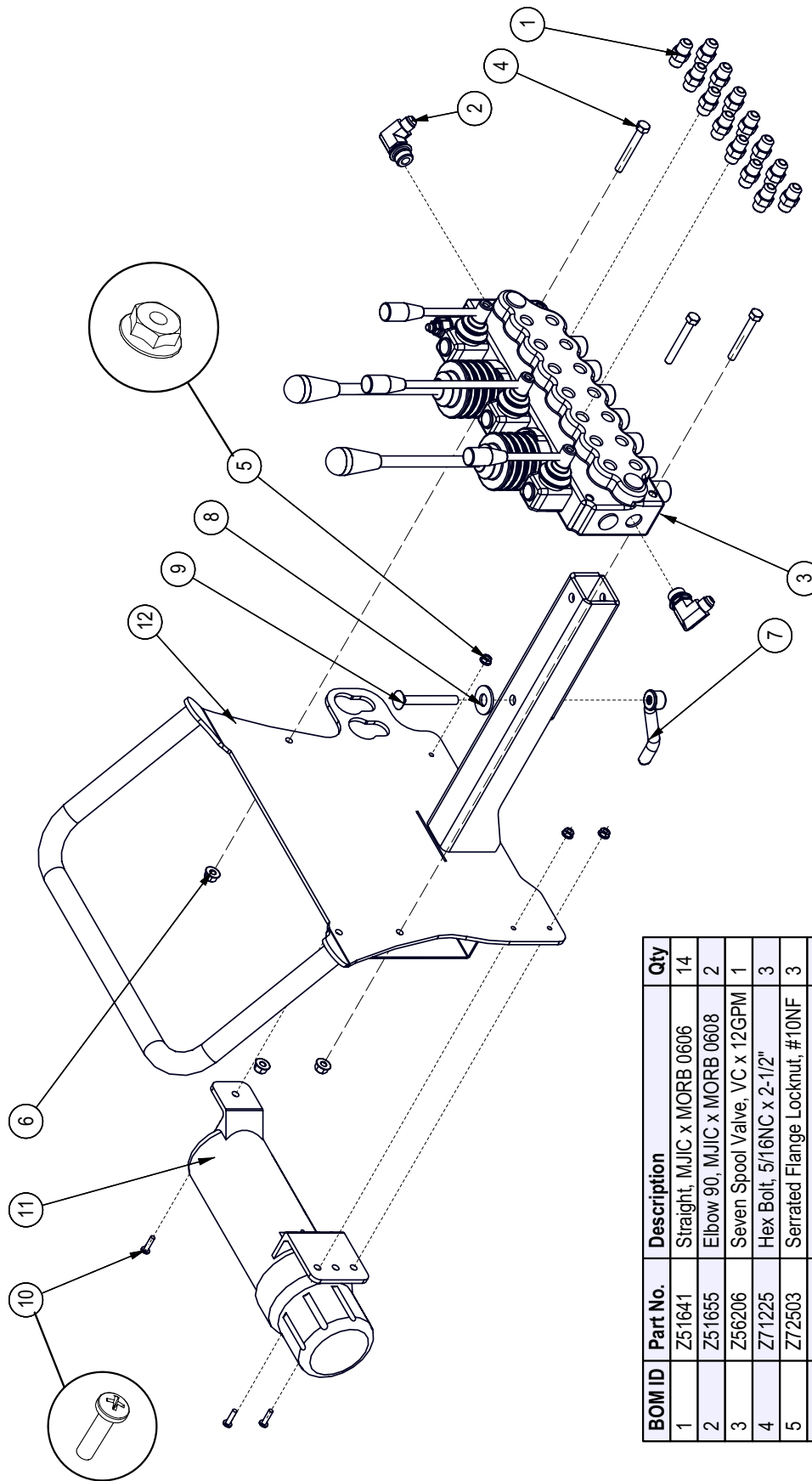


LX95 / LT30 Variation Chart

The LX / LT series of Timber Talon Grapples and Log Trailers are available with different options and features. Use the chart below to identify your particular model when ordering parts.

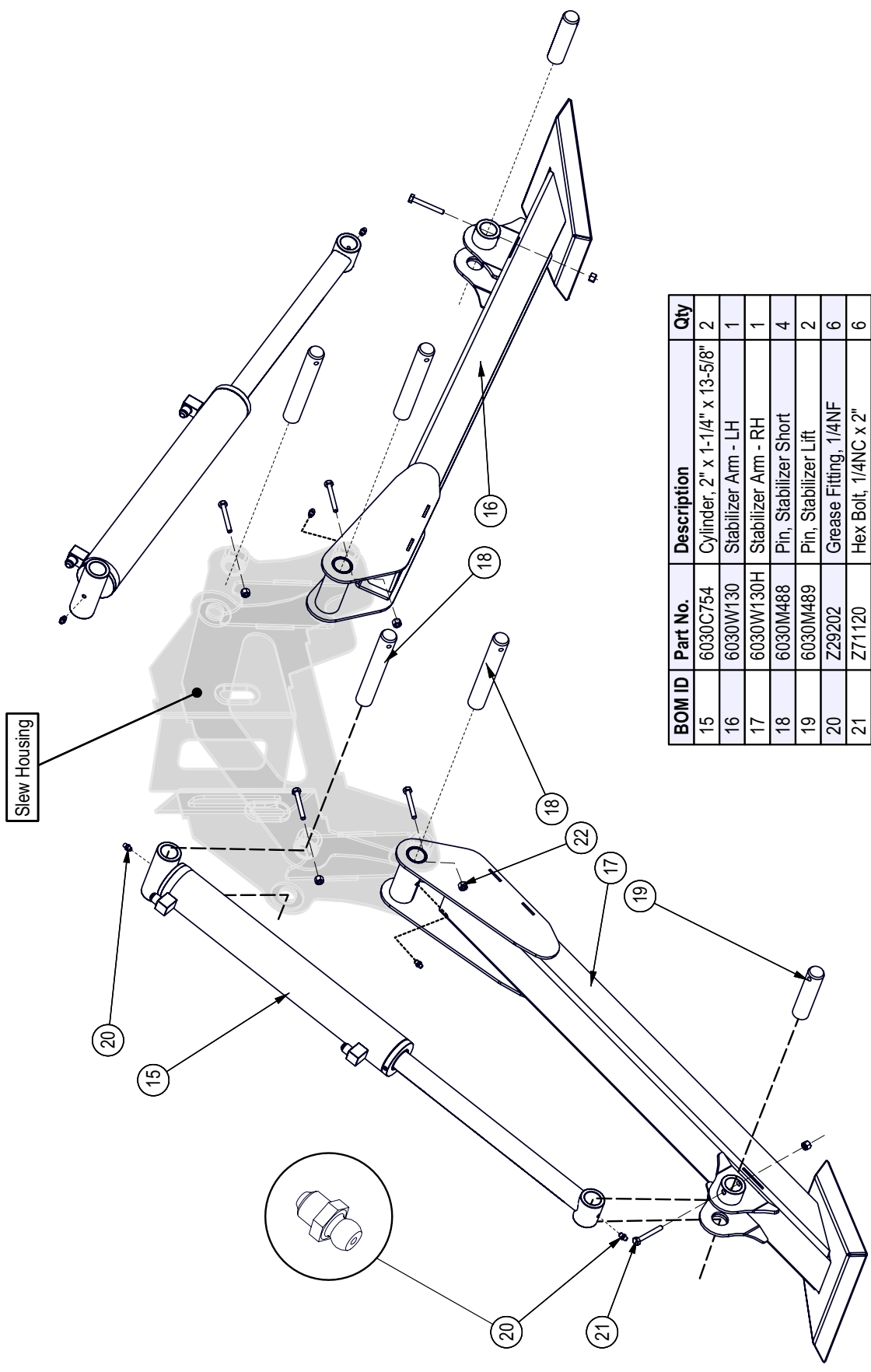
LX95 / LT30 Timber Talon Comparison Chart		Boom Mounting Combination		Three Point Hitch	Trailer / Bunk Posts	Dual Speed Winch	Surge Brakes	Highway Kit	Hydraulic Tandem
	Grapple Boom	LX95	X						
	Grapple Boom Off Road Trailer	LX95	LT30		✓				
	Grapple Boom Trailer - ATV Kit	LX95	LT30A		✓		✓		✓
	Grapple Boom Trailer - Highway Kit	LX95	LT30H		✓		✓	✓	
	Grapple Boom Trailer - Highway & Hydraulic Tandem Kits	LX95	LT30HA		✓		✓	✓	✓
	Grapple Boom 3 Point Hitch Kit	LX95	L400	✓					
W i n c h M o d e l s	Grapple Boom with Winch	LX95PW	X			✓			
	Grapple Boom with Winch Trailer - ATV Kit	LX95W	LT30A		✓	✓	✓		✓
	Grapple Boom with Winch Trailer - Highway & Hydraulic Tandem Kits	LX95W	LT30HA		✓	✓	✓	✓	✓
	Grapple Boom with Winch Off Road Trailer	LX95PW	LT30		✓	✓			
	Grapple Boom with Winch Trailer - Highway Kit	LX95PW	LT30H		✓	✓	✓	✓	
	Grapple Boom with Winch 3 Point Hitch Kit	LX95PW	L400		✓		✓		

Control Panel Ass'y



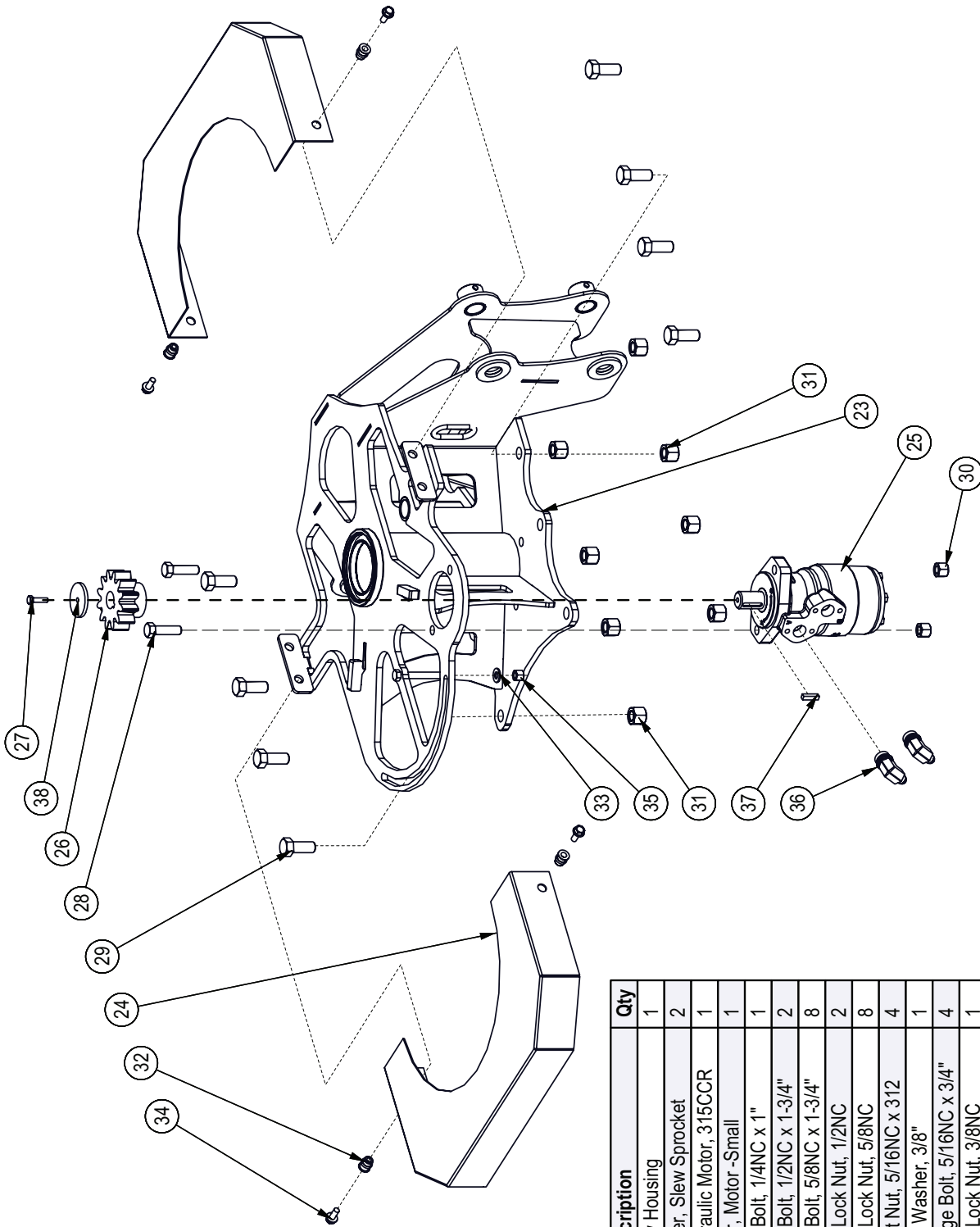
BOM ID	Part No.	Description	Qty
1	Z51641	Straight, MJIC x MORB 0606	14
2	Z51655	Elbow 90, MJIC x MORB 0608	2
3	Z56206	Seven Spool Valve, VC x 12GPM	1
4	Z71225	Hex Bolt, 5/16NC x 2-1/2"	3
5	Z72503	Serrated Flange Locknut, #10NF	3
6	Z72521	Serrated Flange Locknut, 5/16NC	3
7	Z72981	Handle Nut, 3/8NC	1
8	Z73252	PTFE Washer, 1/2" x .101"	1
9	Z76238	Carriage Bolt, 3/8NC x 3"	1
10	Z78316	Machine Screw, #10NF x 3/4"	3
11	Z96503	Manual Tube, 3-1/2" Short	1
12	6030W142	Console Arm	1

Stabilizer Ass'y



BOM ID	Part No.	Description	Qty
15	6030C754	Cylinder, 2" x 1-1/4" x 13-5/8"	2
16	6030W130	Stabilizer Arm - LH	1
17	6030W130H	Stabilizer Arm - RH	1
18	6030M488	Pin, Stabilizer Short	4
19	6030M489	Pin, Stabilizer Lift	2
20	Z29202	Grease Fitting, 1/4NF	6
21	Z71120	Hex Bolt, 1/4NC x 2"	6
22	Z72211	Hex Lock Nut, 1/4NC	6

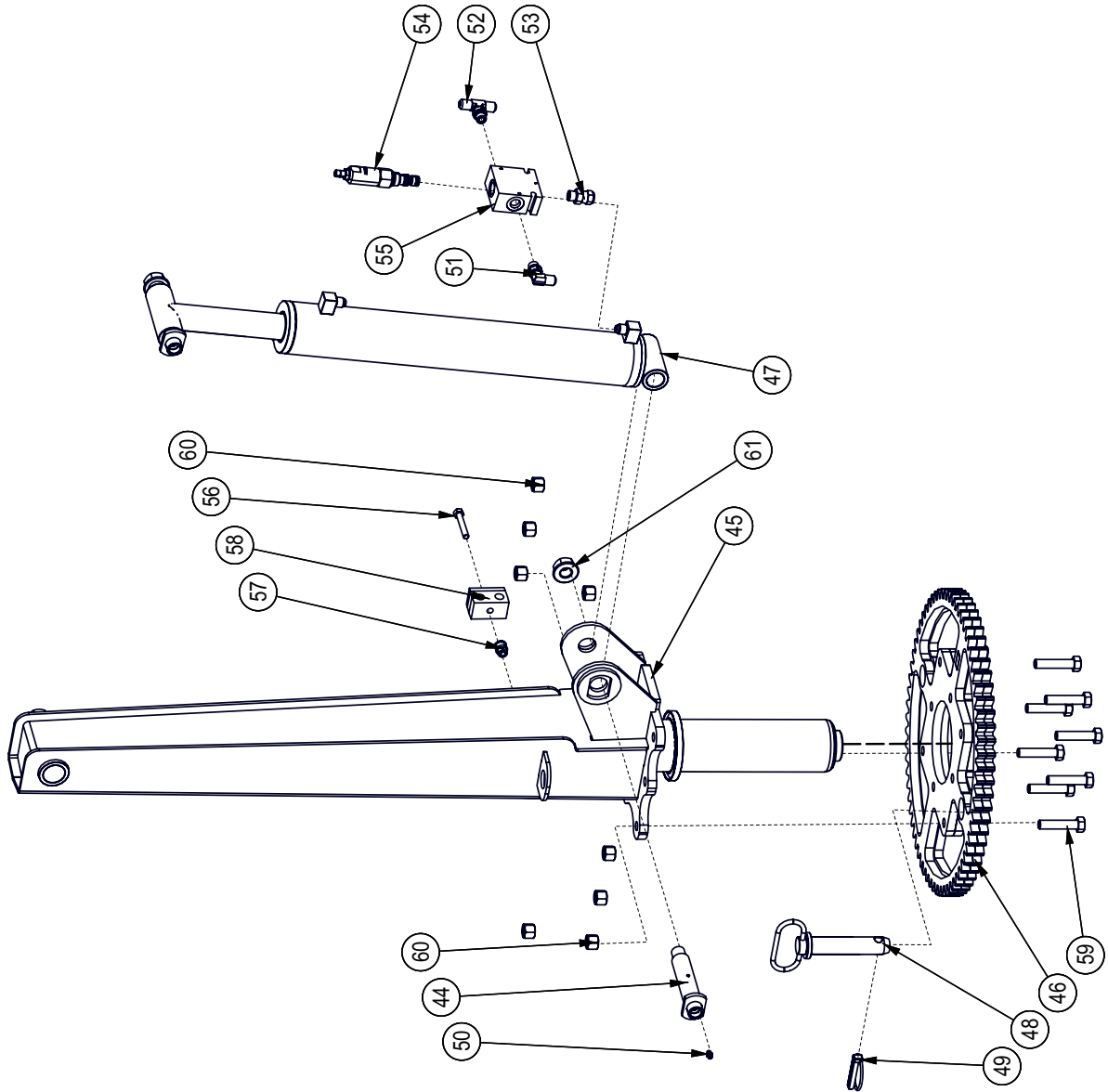
Slew Housing Ass'y



BOM ID	Part No.	Description	Qty
23	6030W101	Slew Housing	1
24	6030L471	Cover, Slew Sprocket	2
25	Z54104	Hydraulic Motor, 315CCR	1
26	6031M653	Gear, Motor -Small	1
27	Z71110	Hex Bolt, 1/4NC x 1"	1
28	Z71517	Hex Bolt, 1/2NC x 1-3/4"	2
29	Z71617	Hex Bolt, 5/8NC x 1-3/4"	8
30	Z72251	Hex Lock Nut, 1/2NC	2
31	Z72261	Hex Lock Nut, 5/8NC	8
32	Z72957	Rivet Nut, 5/16NC x 3/2	4
33	Z73131	SAE Washer, 3/8"	1
34	Z76121	Flange Bolt, 5/16NC x 3/4"	4
35	Z72231	Hex Lock Nut, 3/8NC	1
36	Z51656	Elbow 90, MJIC x MORB 0610	2
37	Z46533	Key, 1/4" x 1/4" x 1"	1
38	6032L592	Washer, Sprocket Capture	1

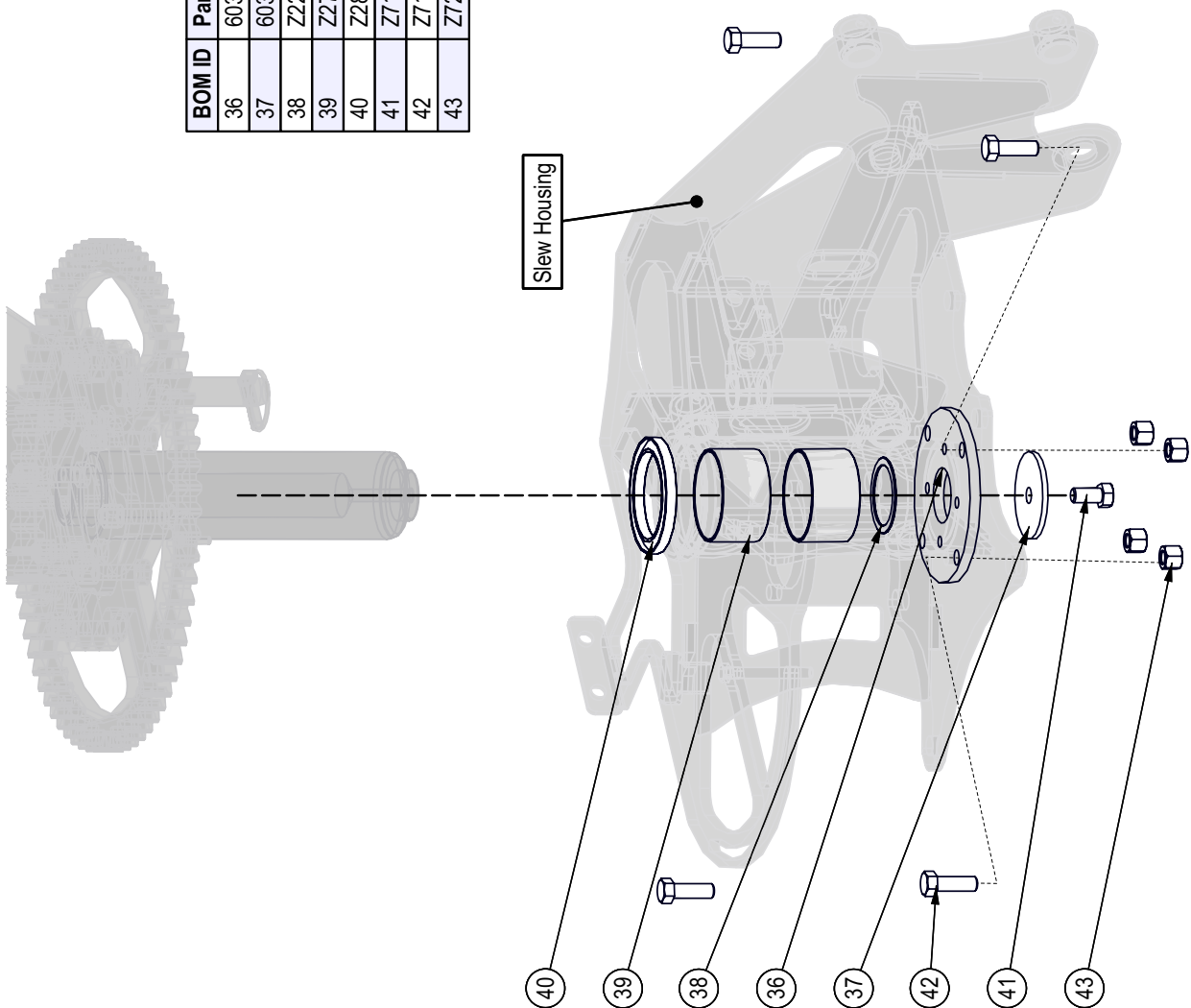
Main Tower Ass'y

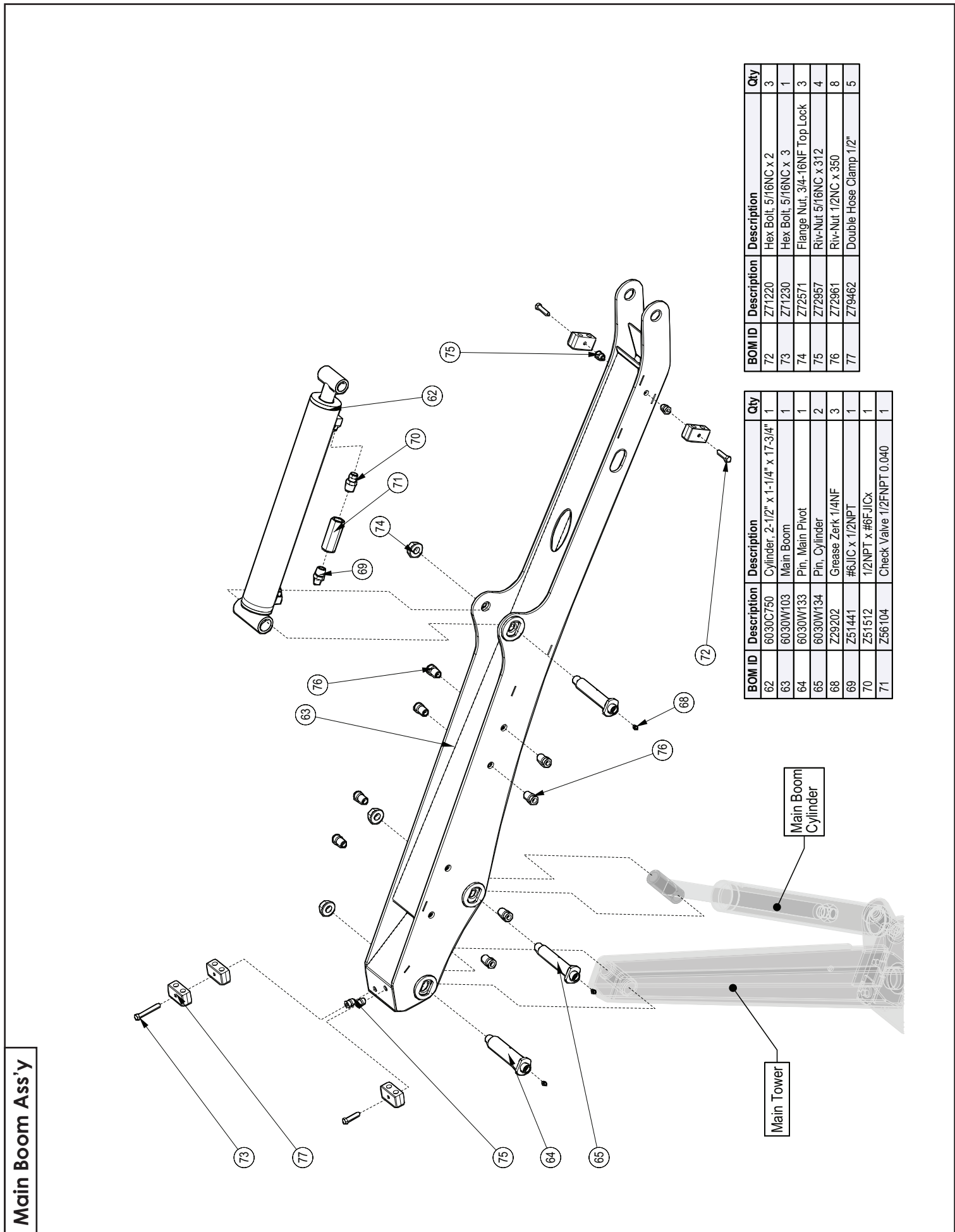
BOM ID	Part No.	Description	Qty
44	6030W141	Pin, Boom Cylinder	1
45	6030W102	Main Tower	1
46	6030W131	68th Slew Gear	1
47	6030C363	Cylinder, 2-1/2" x 1-1/2" x 16-3/4"	1
48	Z11264	Hitch Pin, 1" x 3-3/4" MOD	1
49	Z12140	Lynch Pin, 7/16"	1
50	Z29202	Grease Fitting, 1/4NF	1
51	Z51651	Elbow 90, MJIC x MORB 0606	1
52	Z51674	Tee, MJIC x MJIC x MORB 060606	1
53	Z51761	Straight, MORB x FJICX 0606	1
54	Z56105-1	Counterbalance Valve, Valve Only	1
55	Z56105-2	Counterbalance Valve, Body Only	1
56	Z71220	Hex Bolt, 5/16NC x 2"	1
57	Z72957	Rivet Nut, 5/16NC x 312	1
58	Z79462	Double Hose Clamp, 1/2" OD	1
59	Z71522	Hex Bolt, 1/2NC x 2-1/4"	8
60	Z72251	Hex Lock Nut, 1/2NC	8
61	Z72571	Serrated Flange Locknut, 3/4NF Top Lock	1



Main Tower Bearing Ass'y

BOM ID	Part No.	Description	Qty
36	6030L467	Washer, Boom Rest	1
37	6030L468	Washer, Main Boom	1
38	Z22402	Fiberglide Thrust Bearing, 2.072" ID x 2.615" OD x 0.058"	1
39	Z27105	Fiberglide Bearing, 3" ID x 1-3/4" long x 3/32" wall	2
40	Z28205	Single Lip Seal, 3"	1
41	Z71510	Hex Bolt, 1/2NC x 1"	1
42	Z71515	Hex Bolt, 1/2NC x 1-1/2"	4
43	Z72251	Hex Lock Nut, 1/2NC	4



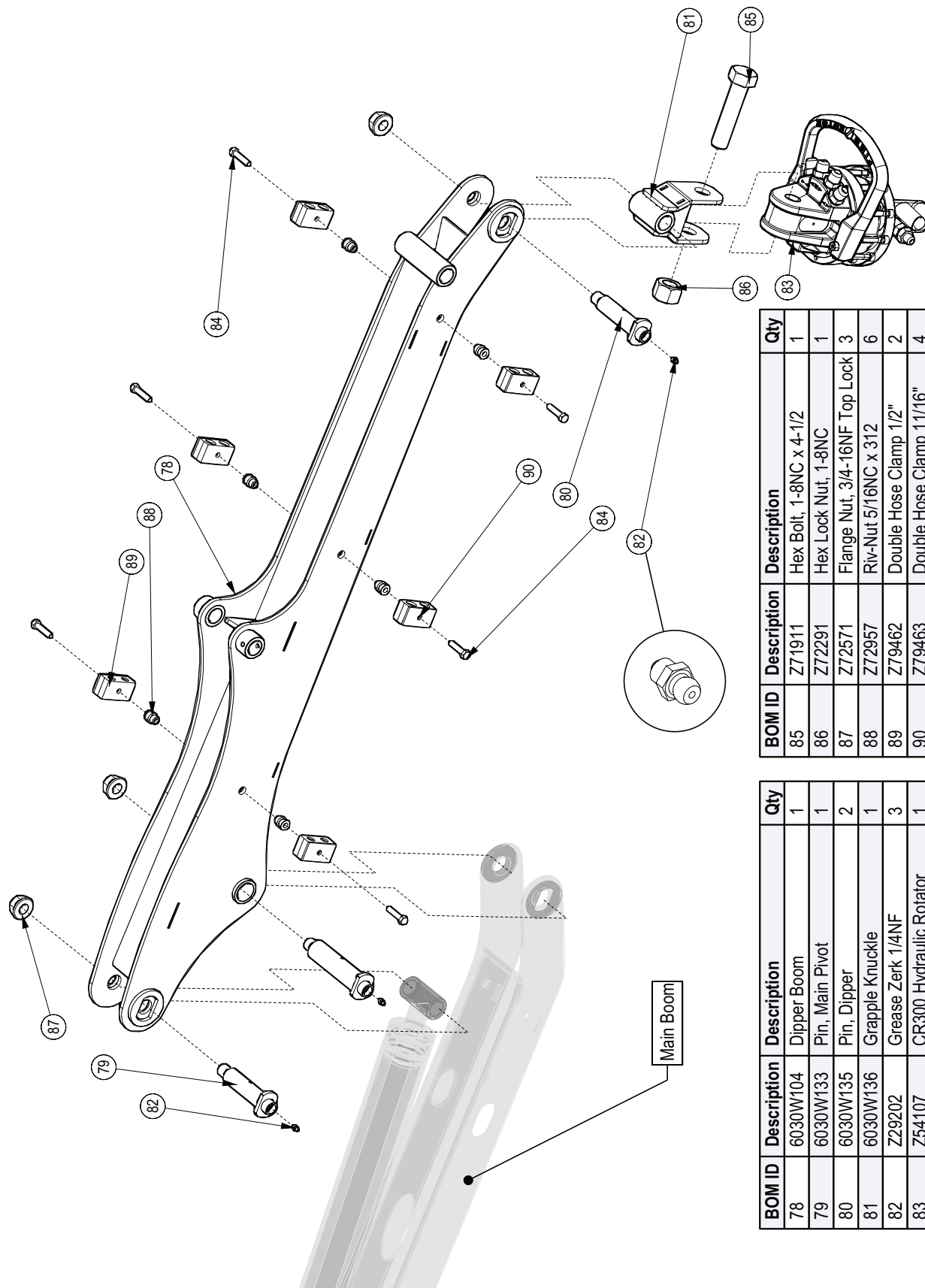


Main Boom Ass'y

BOM ID	Description	Description	Qty
72	Z71220	Hex Bolt, 5/16NC x 2	3
73	Z71230	Hex Bolt, 5/16NC x 3	1
74	Z72571	Flange Nut, 3/4-16NF Top Lock	3
75	Z72957	Riv-Nut, 5/16NC x 312	4
76	Z72961	Riv-Nut, 1/2NC x 350	8
77	Z79462	Double Hose Clamp 1/2"	5

BOM ID	Description	Description	Qty
62	6030C750	Cylinder, 2-1/2" x 1-1/4" x 17-3/4"	1
63	6030W103	Main Boom	1
64	6030W133	Pin, Main Pivot	1
65	6030W134	Pin, Cylinder	2
68	Z29202	Grease Zerk 1/4NF	3
69	Z51441	#6JIC x 1/2NPT	1
70	Z51512	1/2NPT x #6FJICx	1
71	Z56104	Check Valve 1/2FNPT 0.040	1

Dipper Boom Ass'y

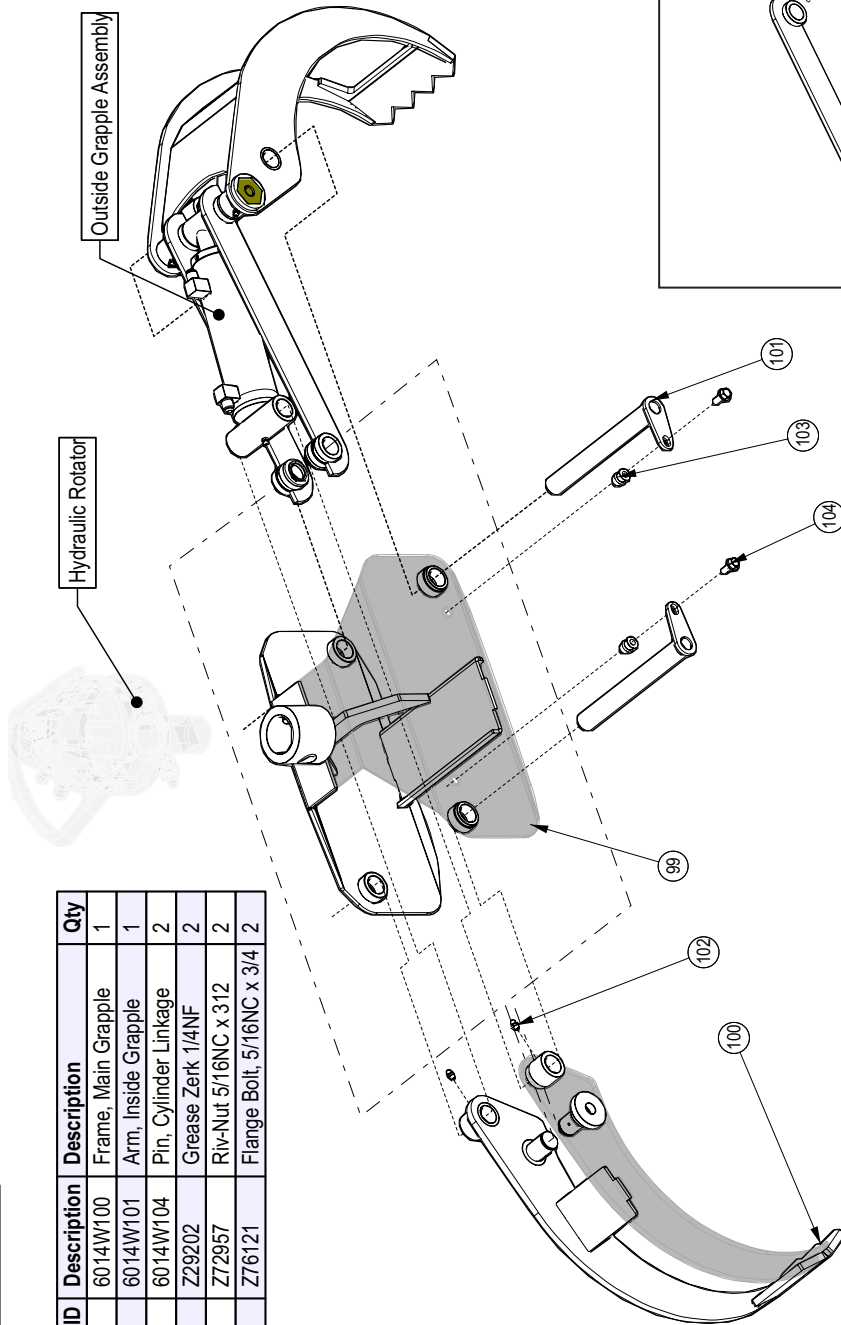


BOM ID	Description	Description	Qty
85	Z71911	Hex Bolt, 1-8NC x 4-1/2	1
86	Z72291	Hex Lock Nut, 1-8NC	1
87	Z72571	Flange Nut, 3/4-16NF Top Lock	3
88	Z72957	Riv-Nut 5/16NC x 312	6
89	Z79462	Double Hose Clamp 1/2"	2
90	Z79463	Double Hose Clamp 1 1/16"	4

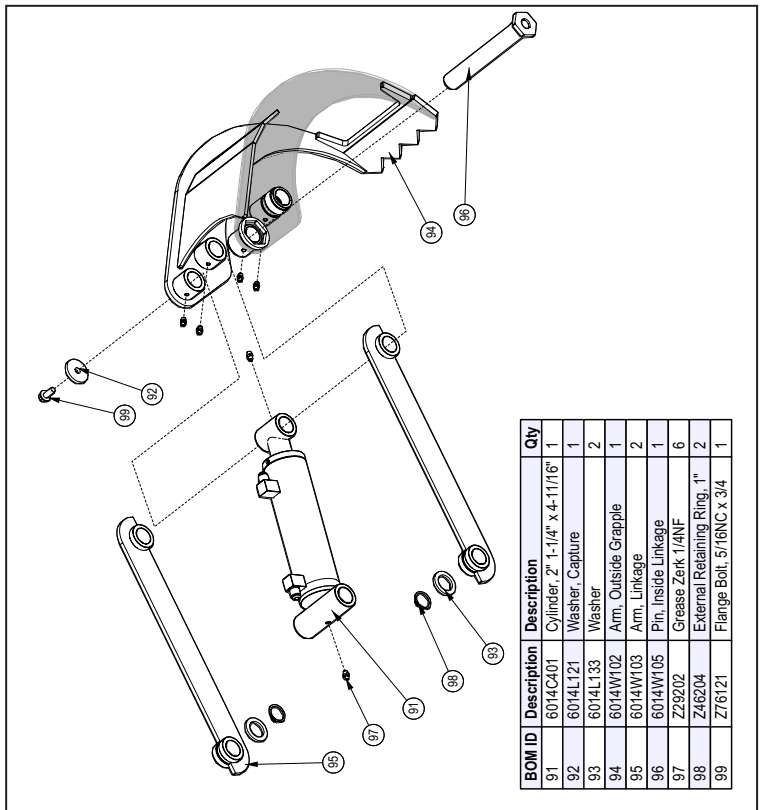
BOM ID	Description	Description	Qty
78	6030W104	Dipper Boom	1
79	6030W133	Pin, Main Pivot	1
80	6030W135	Pin, Dipper	2
81	6030W136	Grapple Knuckle	1
82	Z29202	Grease Zerk 1/4NF	3
83	Z54107	CR300 Hydraulic Rotator	1
84	Z71220	Hex Bolt, 5/16NC x 2	6

Grapple Ass'y

BOM ID	Description	Qty
99	Frame, Main Grapple	1
100	Arm, Inside Grapple	1
101	Pin, Cylinder Linkage	2
102	Grease Zerk 1/4NF	2
103	Riv-Nut 5/16NC x 3/4	2
104	Flange Bolt, 5/16NC x 3/4	2

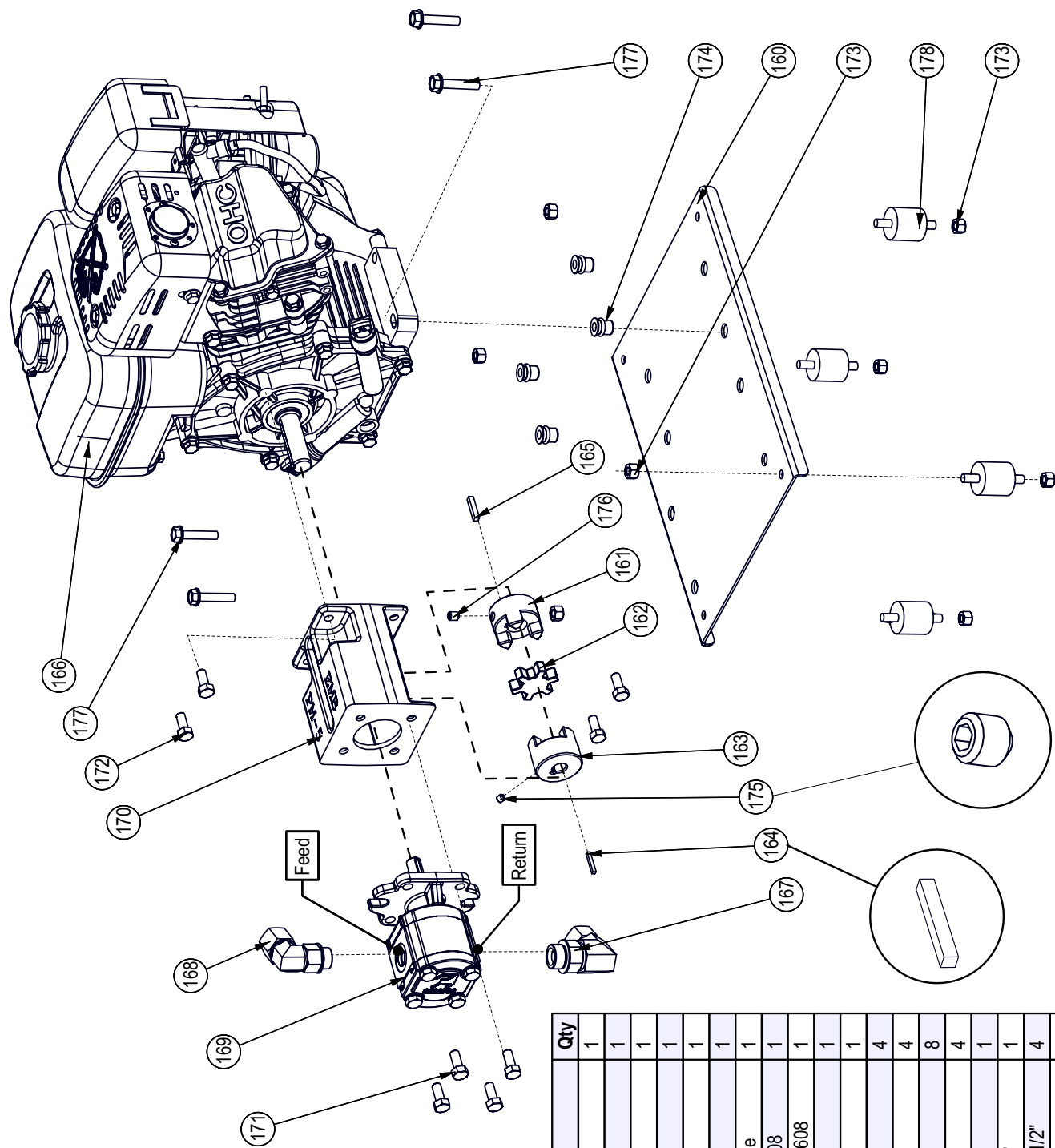


Outside Grapple Assembly



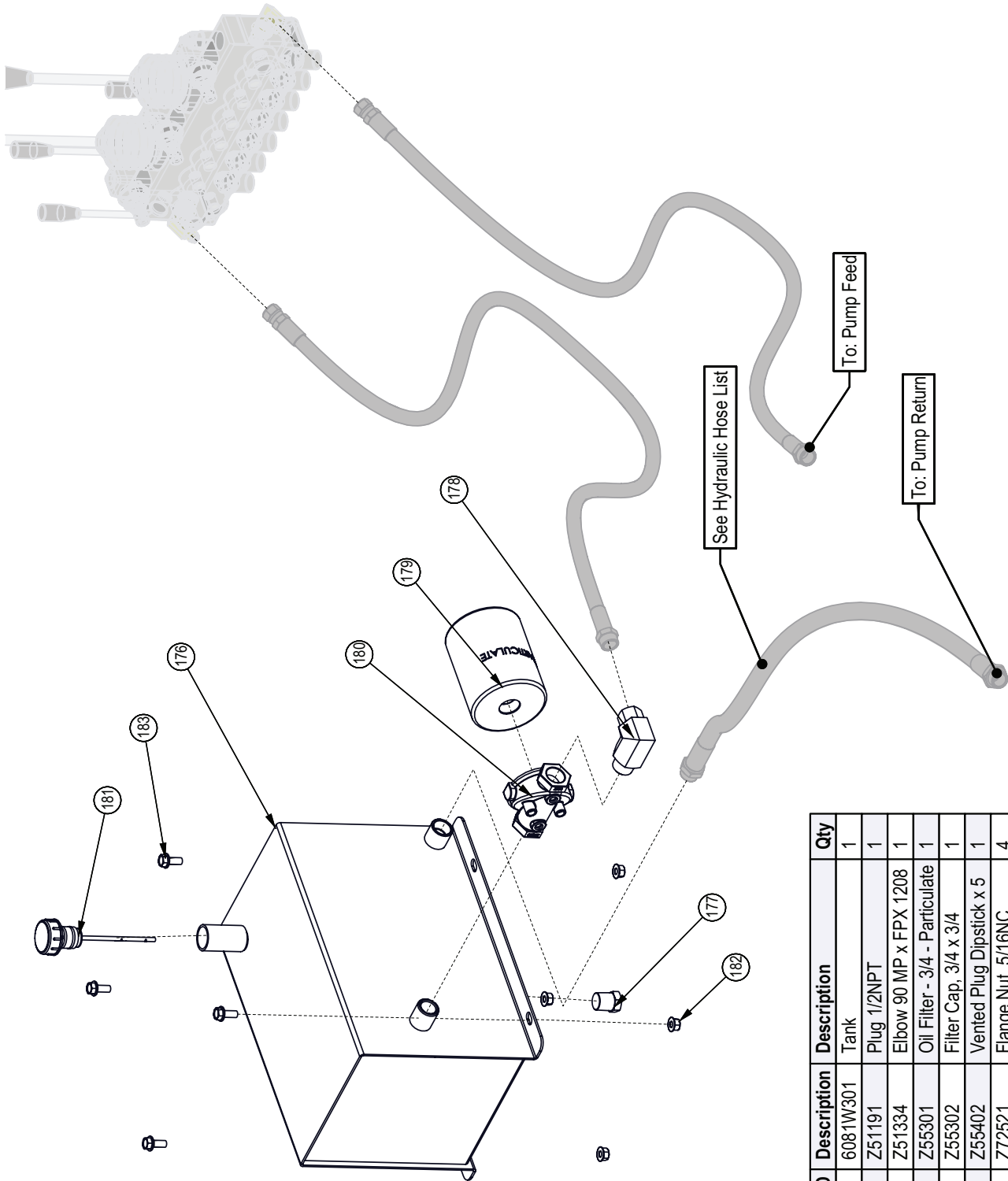
BOM ID	Description	Qty
91	Cylinder, 2" 1-1/4" x 4-11/16"	1
92	Washer, Capture	1
93	Washer	2
94	Arm, Outside Grapple	1
95	Arm, Linkage	2
96	Pin, Inside Linkage	1
97	Grease Zerk 1/4NF	6
98	External Retaining Ring, 1"	2
99	Flange Bolt, 5/16NC x 3/4	1

Power Pack Engine / Pump

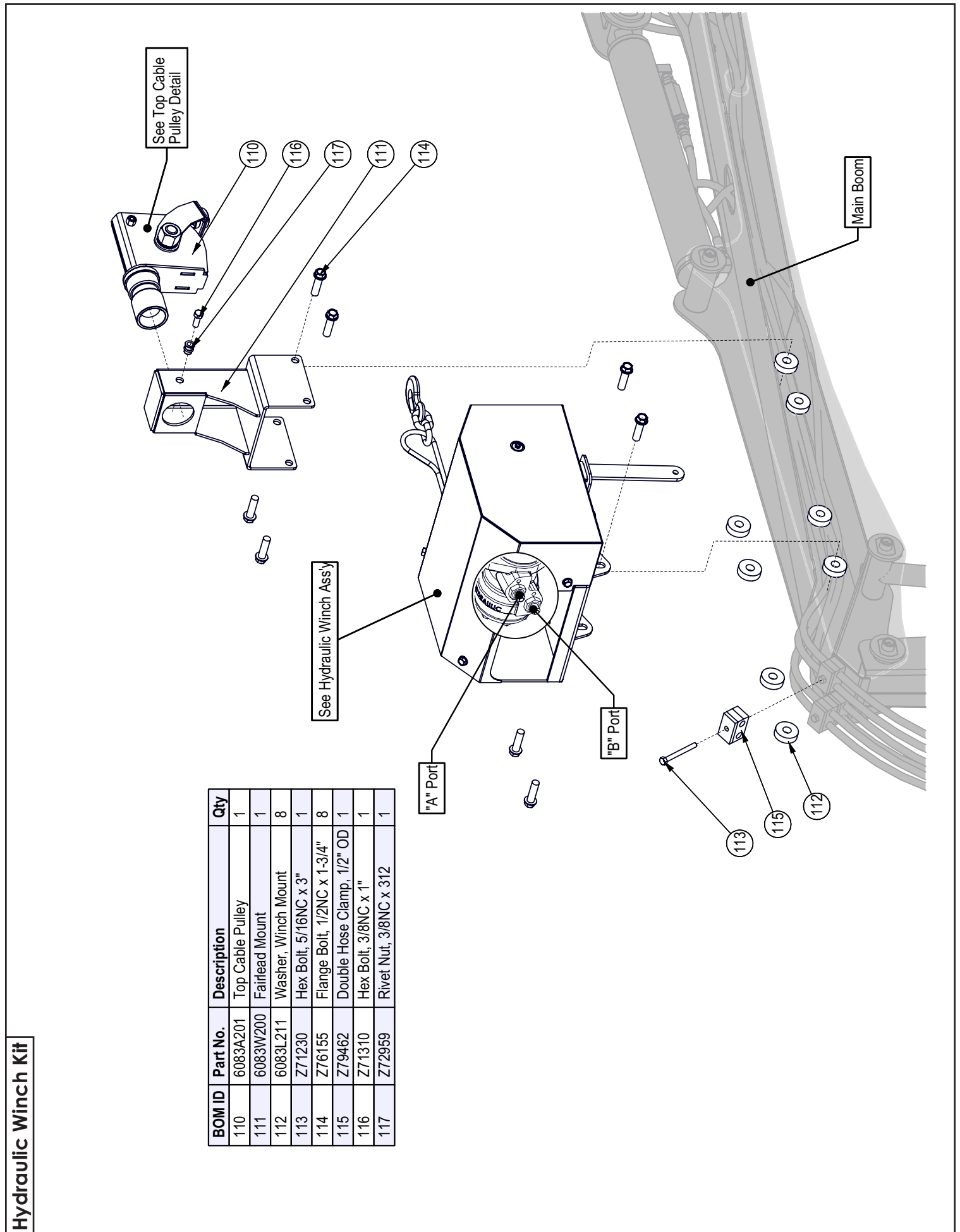


BOM ID	Description	Description	Qty
160	6081L205	Plate, Engine Mount	1
161	Z46406	Shaft Coupler L075 x 3/4	1
162	Z46408	Coupler Spider L075	1
163	Z46410	Shaft Coupler L075 x 1/2	1
164	Z46511	Key, 1/8 x 1/8 x 7/8	1
165	Z46522	Key, 3/16 x 3/16 x 1	1
166	Z47714	Subaru SP2.10 7hp Engine	1
167	Z51383	Elbow 90 ORB x FPX 0808	1
168	Z51385	Elbow 90 MORB x FPX 0608	1
169	Z53103	Gear Pump, 0.13 CIR	1
170	Z53801	Pump Mounting, PM-5	1
171	Z71207	Hex Bolt, 5/16NC x 3/4"	4
172	Z71273	Hex Bolt, 5/16NF x 3/4"	4
173	Z72221	Hex Lock Nut, 5/16NC	8
174	Z72956	Riv-Nut 5/16NC x 150	4
175	Z74111	Set Screw, 1/4NC x 1/4"	1
176	Z74121	Set Screw, 5/16NC x 3/8"	1
177	Z76123	Flange Bolt, 5/16NC x 1-1/2"	4
178	Z79931	Isolator, 1-1/4" Dia x 1-1/4" x 5/16NC	4

Power Pack Tank Ass'y



BOM ID	Description	Description	Qty
176	6081W301	Tank	1
177	Z51191	Plug 1/2NPT	1
178	Z51334	Elbow 90 MP x FPX 1208	1
179	Z55301	Oil Filter - 3/4 - Particulate	1
180	Z55302	Filter Cap, 3/4 x 3/4	1
181	Z55402	Vented Plug Dipstick x 5	1
182	Z72521	Flange Nut, 5/16NC	4
183	Z76121	Flange Bolt, 5/16NC x 3/4	4



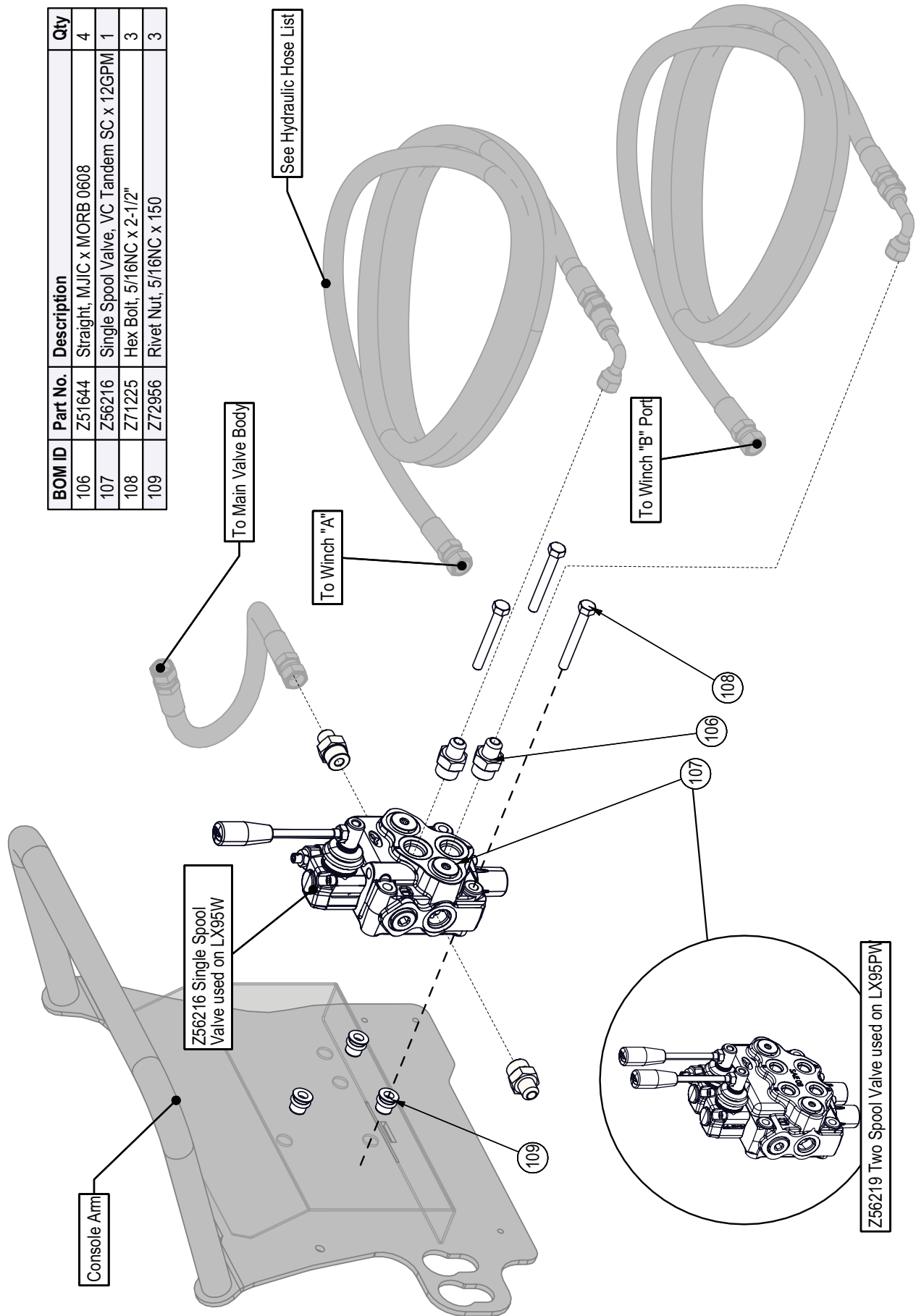
Hydraulic Winch Kit

BOM ID	Part No.	Description	Qty
110	6083A201	Top Cable Pulley	1
111	6083W200	Fairlead Mount	1
112	6083L211	Washer, Winch Mount	8
113	Z71230	Hex Bolt, 5/16NC x 3"	1
114	Z76155	Flange Bolt, 1/2NC x 1-3/4"	8
115	Z79462	Double Hose Clamp, 1/2" OD	1
116	Z71310	Hex Bolt, 3/8NC x 1"	1
117	Z72959	Rivet Nut, 3/8NC x 3/12	1

Models LX95W & LX95PW

Hydraulic Winch Control Ass'y

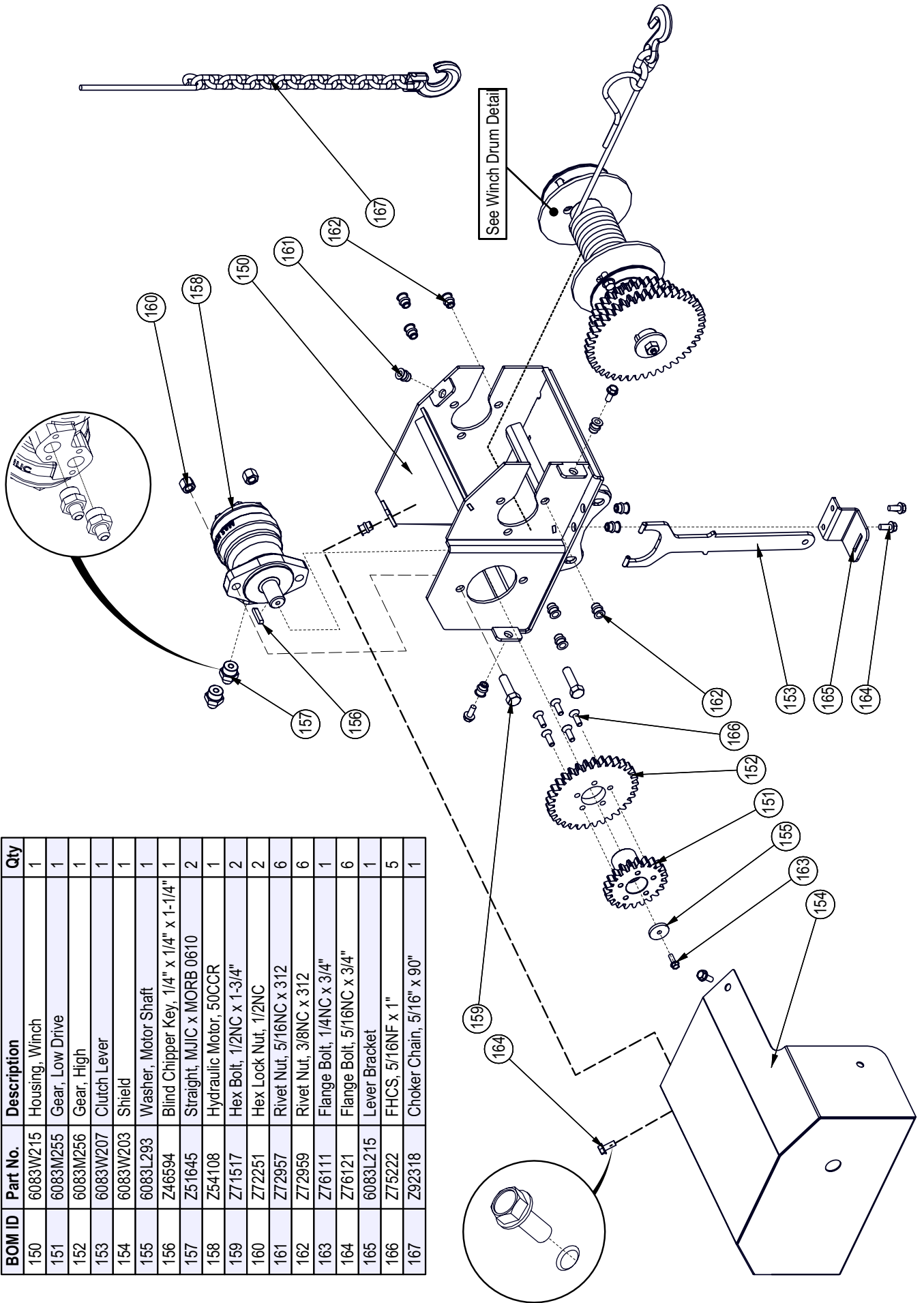
BOM ID	Part No.	Description	Qty
106	Z51644	Straight, MJC x MORB 0608	4
107	Z56216	Single Spool Valve, VC Tandem SC x 12GPM	1
108	Z71225	Hex Bolt, 5/16NC x 2-1/2"	3
109	Z72956	Rivet Nut, 5/16NC x 150	3



Model LX95W & LX95PW

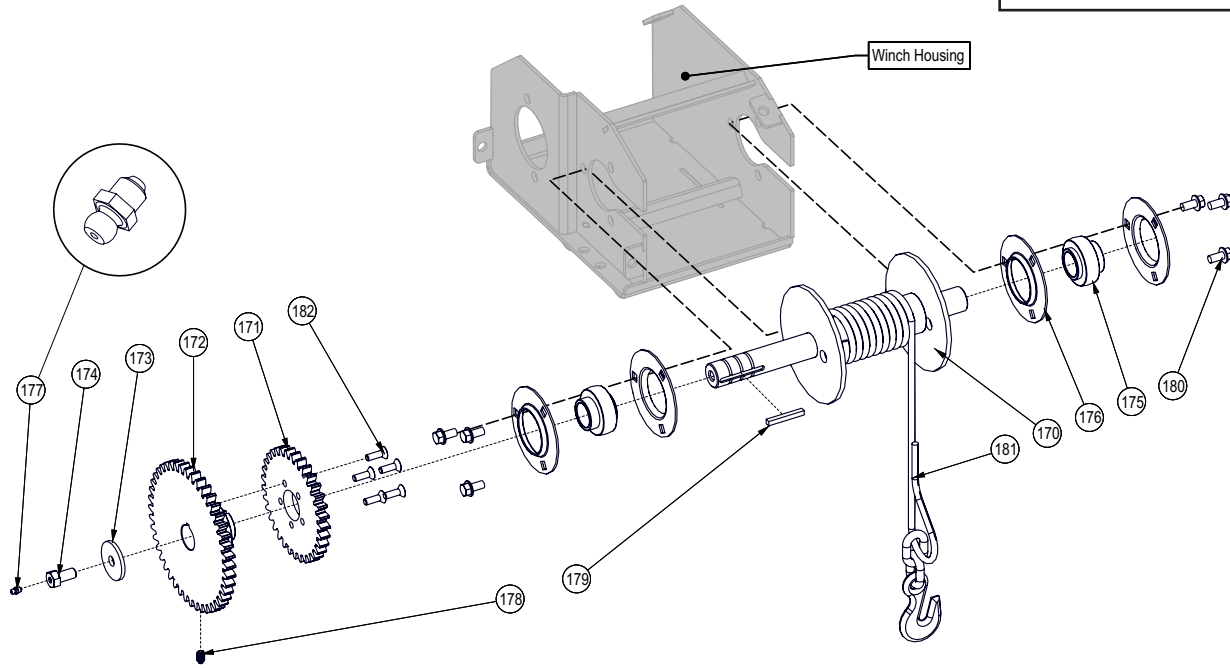
Hydraulic Winch Assembly

BOM ID	Part No.	Description	Qty
150	6083W215	Housing, Winch	1
151	6083M255	Gear, Low Drive	1
152	6083M256	Gear, High	1
153	6083W207	Clutch Lever	1
154	6083W203	Shield	1
155	6083L293	Washer, Motor Shaft	1
156	Z46594	Blind Chipper Key, 1/4" x 1/4" x 1-1/4"	1
157	Z51645	Straight, MJIC x MORB.0610	2
158	Z54108	Hydraulic Motor, 50CCR	1
159	Z71517	Hex Bolt, 1/2NC x 1-3/4"	2
160	Z72251	Hex Lock Nut, 1/2NC	2
161	Z72957	Rivet Nut, 5/16NC x 3/12	6
162	Z72959	Rivet Nut, 3/8NC x 3/4"	6
163	Z76111	Flange Bolt, 1/4NC x 3/4"	1
164	Z76121	Flange Bolt, 5/16NC x 3/4"	6
165	6083L215	Lever Bracket	1
166	Z75222	FHCS, 5/16NF x 1"	5
167	Z92318	Choker Chain, 5/16" x 90"	1



Winch Drum Detail

Model LX95W & LX95PW

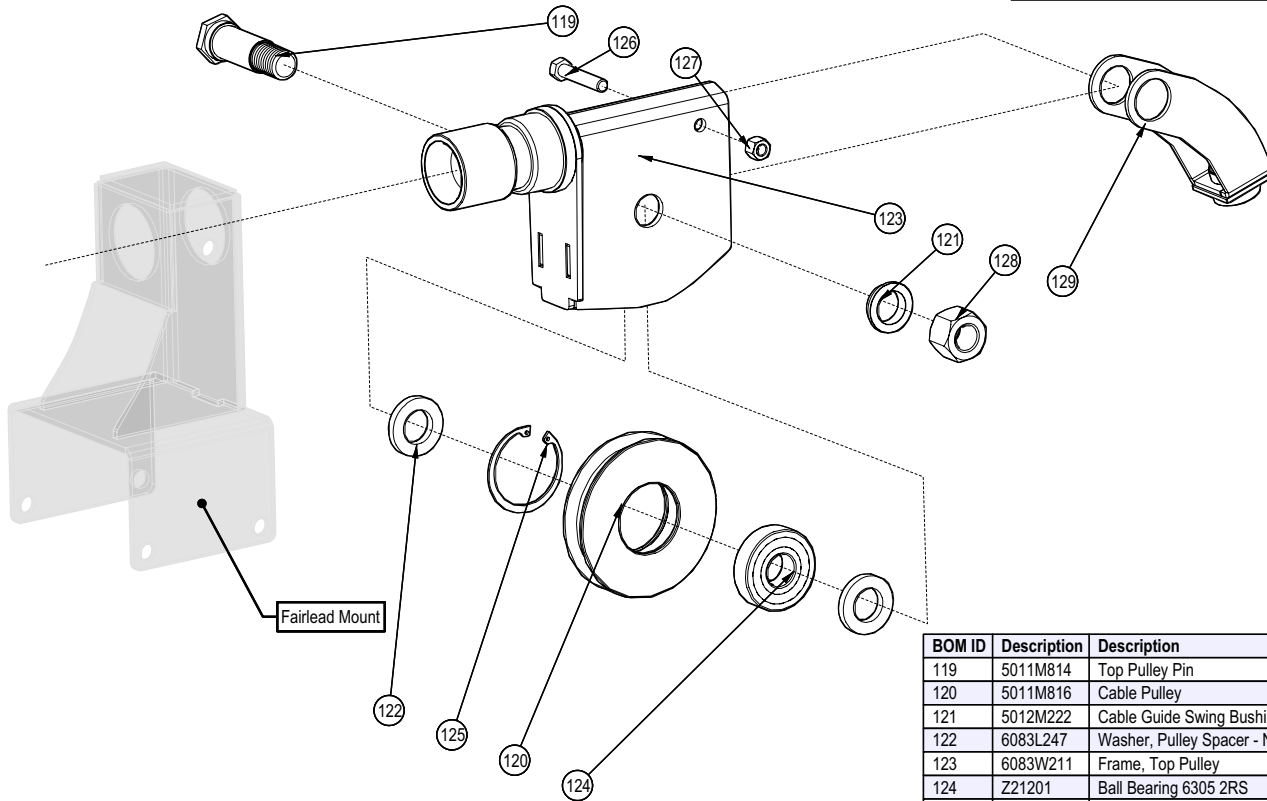


BOM ID	Part No.	Description	Qty
170	6083W201	Drum, Main Cable	1
171	6083M256	Gear, High	1
172	6083M257	Gear, Low Driven	1
173	6083L207	Washer, Capture	1
174	6083M252	1/2-13 x 1 Bolt Modified	1
175	Z25207	Bearing Insert, UC206-20	2
176	Z25301	3-Bolt Flange Bearing, PF206 x Flange Only	4

BOM ID	Part No.	Description	Qty
177	Z29202	Grease Fitting, 1/4NF	1
178	Z34302	Spring Plunger, 3/8NC x 5/8" x 21 lbs	1
179	Z46531	Key, 1/4" x 1/4" x 2"	1
180	Z76133	Flange Bolt, 3/8NC x 3/4"	6
181	Z92118	Synthetic Winch Cable, 5/16" x 80ft with Grab Hook	1
182	Z75222	FHCS, 5/16NF x 1"	5

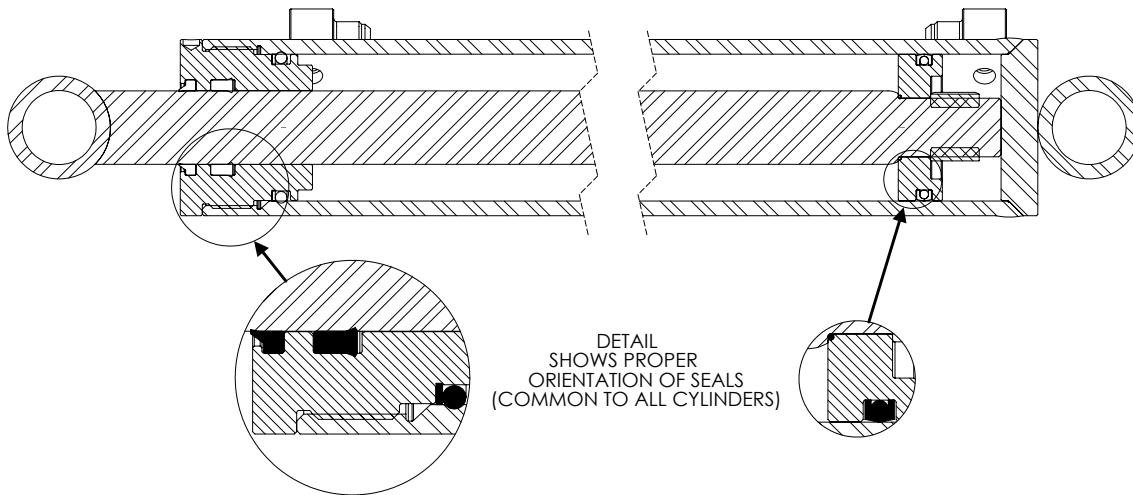
Top Cable Pulley Detail

Model LX95W & LX95PW



BOM ID	Description	Description	Qty
119	5011M814	Top Pulley Pin	1
120	5011M816	Cable Pulley	1
121	5012M222	Cable Guide Swing Bushing	1
122	6083L247	Washer, Pulley Spacer - Narrow	2
123	6083W211	Frame, Top Pulley	1
124	Z21201	Ball Bearing 6305 2RS	1
125	Z46101	Internal Retaining Ring 2-7/16	1
126	Z71320	Hex Bolt, 3/8NC x 2	1
127	Z72231	Hex Lock Nut, 3/8NC	1
128	Z72281	Hex Lock Nut, 7/8-9NC	1
129	6083W208	Cable Guide	1

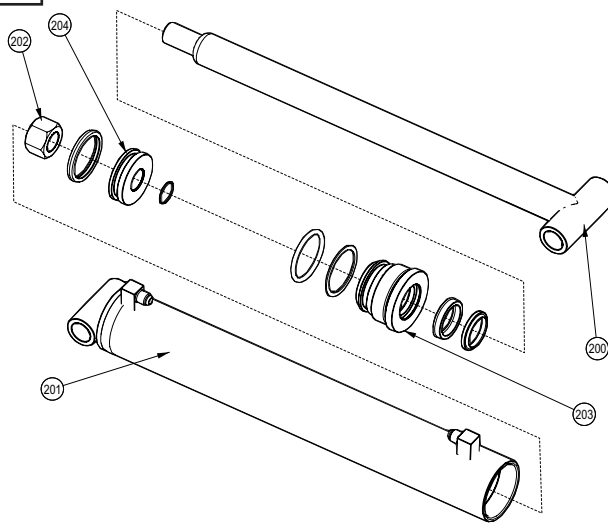
Cylinders & Seal Installation



6030C363 Main Boom Cylinder

BOM ID	Description	Description	Qty
200	6030C4362	Rod, 1-1/2 x1	1
201	6030C4363	Barrel, 2-1/2"	1
202	Z72272G8	Hex Lock Nut 3/4NF Grade 8	1
203	G250-150S	2-1/2" X 1-1/2" GLAND	1
204	P100-250SP	2-1/2" BORE PISTON	1

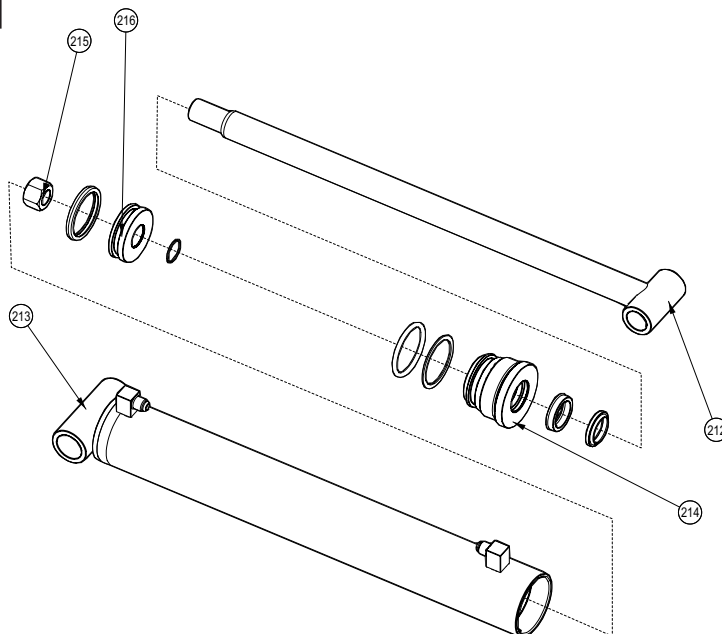
Seal Kit: SLK-2515



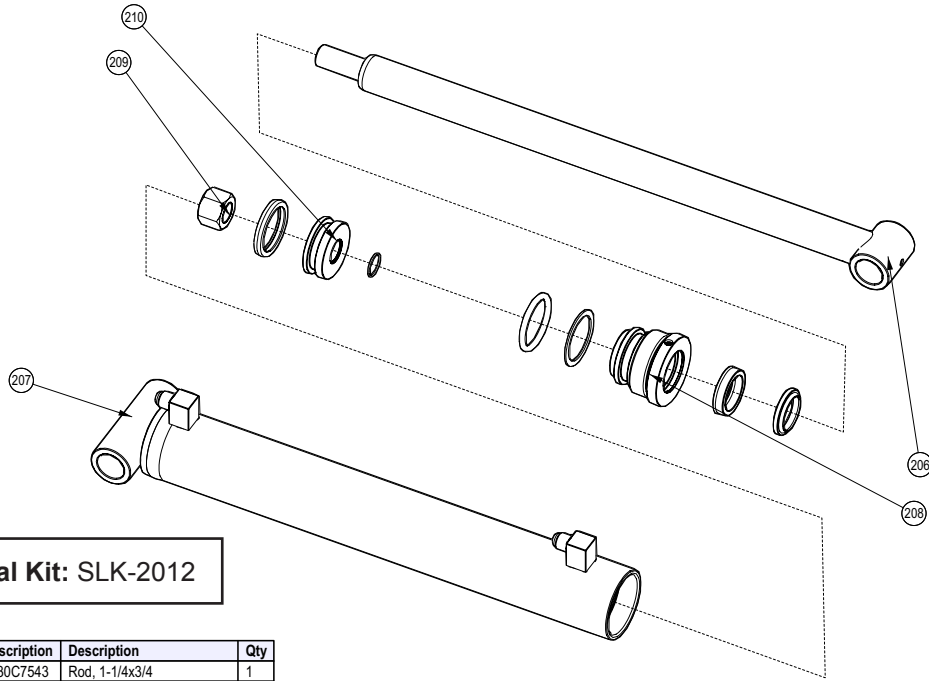
6031C750 Dipper Boom Cylinder

BOM ID	Description	Description	Qty
212	6030C7503	Rod, 1-1/4 x1	1
213	6030C7504	Barrel, 2-1/2" Bore	1
214	G250-125S	2-1/2" X 1-1/4" GLAND	1
215	Z72272G8	Hex Lock Nut 3/4NF Grade 8	1
216	P100-250SP	2-1/2" BORE PISTON	1

Seal Kit: SLK-2512

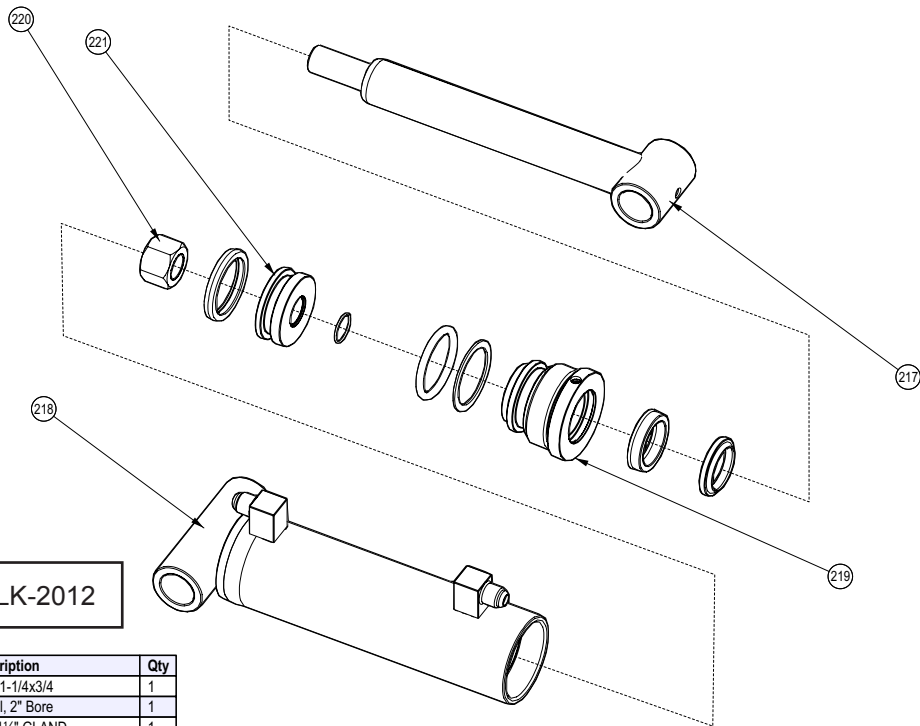


6031C754 Stabilizer Cylinder


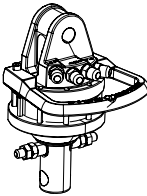
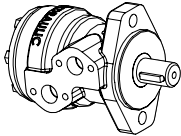
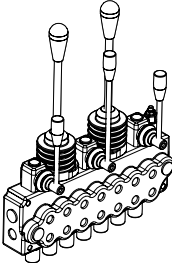
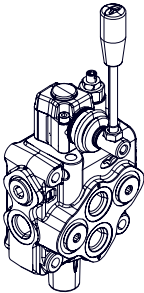
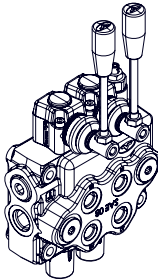


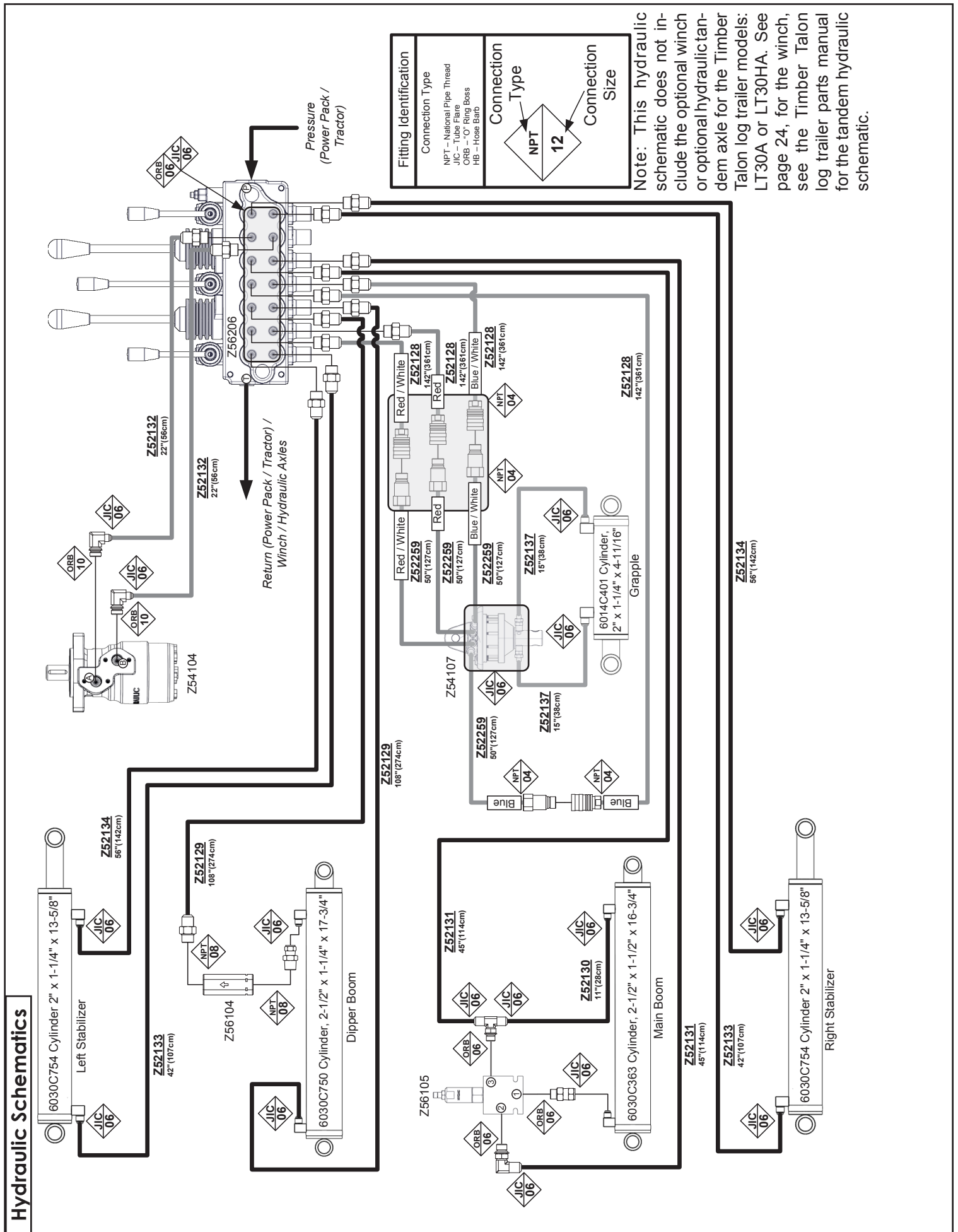
BOM ID	Description	Description	Qty
206	6030C7543	Rod, 1-1/4x3/4	1
207	6030C7544	Barrel, 2" Bore	1
208	G200-125S	2" X 1 1/2" GLAND	1
209	Z72272G8	Hex Lock Nut 3/4NF Grade 8	1
210	P750-200SP	2" BORE PISTON	1

6014C401 Grapple Cylinder



BOM ID	Description	Description	Qty
217	6014C4013	Rod, 1-1/4x3/4	1
218	6014C4014	Barrel, 2" Bore	1
219	G200-125S	2" X 1 1/2" GLAND	1
220	Z42272G8	Hex Lock Nut 3/4NF Grade 8	1
221	P750-200SP	2" BORE PISTON	1

<p>Seal Kits</p>		<p>Seal Kit: Z54107 CR300 Hydraulic Rotator</p>
<p>Seal Kit: Z54104 315 Series Hydraulic Motor (Main boom)</p>		
	<p>Seal Kit: SK MLHP-U/D,E</p>	 <p>Seal Kit: RK CR300</p>
<p>Seal Kit: Z54108 Hydraulic Motor (Winch) MLHP 50</p>		<p>Seal Kit: Z56206 Monoblock 7-Section Valve</p>
 <p>Seal Kit: SK MLHP-U/D,E</p>		 <p>Seal Kit: SK SD5/7</p>
<p>Seal Kit: Z56216 Single Spool Valve</p>		<p>Seal Kit: Z56219 2 Spool Valve</p>
 <p>Seal Kit: SK SD5/1</p>		 <p>Seal Kit: SK SD5/2</p>

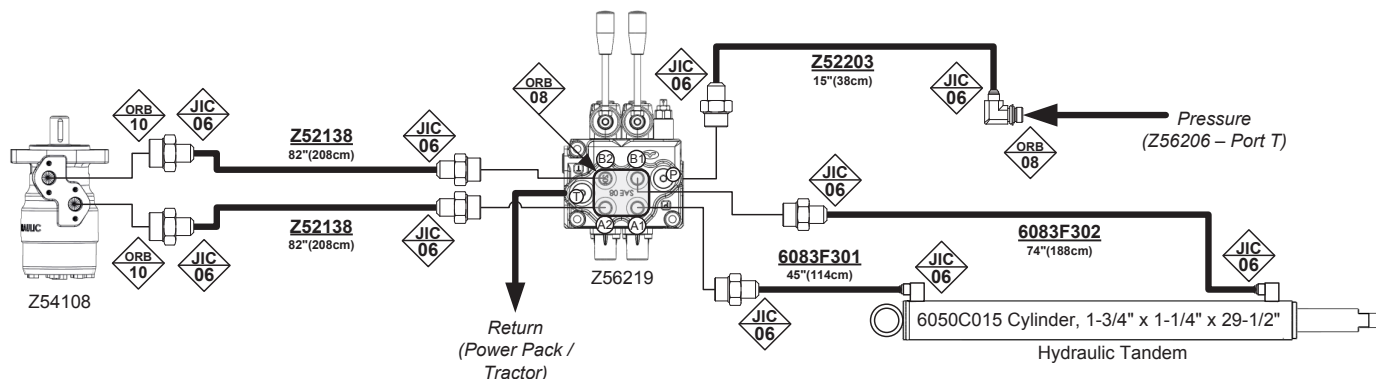


Hydraulic Hose List

Part Number	Description	Qty	Where Used
Z52128	1/4" Hose, FJIC06 x MP04 x 142"	4	LX95 / LX95W / LX95PW
Z52129	1/4" Hose, FJIC06 x FJIC06 x 108"	2	LX95 / LX95W / LX95PW
Z52130	1/4" Hose, FJIC06 x FJIC06 x 11"	2	LX95 / LX95W / LX95PW
Z52131	1/4" Hose, FJIC06 x FJIC06 x 45"	2	LX95 / LX95W / LX95PW
Z52132	1/4" Hose, FJIC06 x FJIC06 x 22"	2	LX95 / LX95W / LX95PW
Z52133	1/4" Hose, FJIC06 x 90 FJIC06 x 42"	2	LX95 / LX95W / LX95PW
Z52134	1/4" Hose, FJIC06 x Long 90 FJIC06 x 56"	2	LX95 / LX95W / LX95PW
Z52137	1/4" Hose, FJIC06 x FJIC06 x 15"	2	LX95 / LX95W / LX95PW
Z52138	1/4" Hose, FJIC06 x 90 FJIC06 x 82"	2	LX95 / LX95W / LX95PW
Z52259	3/8" Hose, 45FJIC08 x MP04 x 50"	4	LX95 / LX95W / LX95PW
Z52222	3/8" Hose, 45FJIC08 x MP04 x 52"	2	LX95W / LX95PW
Z52203	3/8" Hose, FJIC06 x FJIC06 x 15"	1	LX95W / LX95PW
Z52260	3/8" Hose, FJIC06 x MP08 x 48"	2	L301 Power Pack
Z52347	1/2" Hose, MP08 x MP08 x 30"	1	L301 Power Pack
Z52348	1/2" Hose, MP08 x MP08 x 78"	2	L101 Tractor Hydraulic Kit
Z52206	3/8" Hose,#6FJICx#6FJIC 90x30"	1	L101 Tractor Hydraulic Kit
Z52203	3/8" Hose,#6FJICx#6FJICx15"	1	L101 Tractor Hydraulic Kit

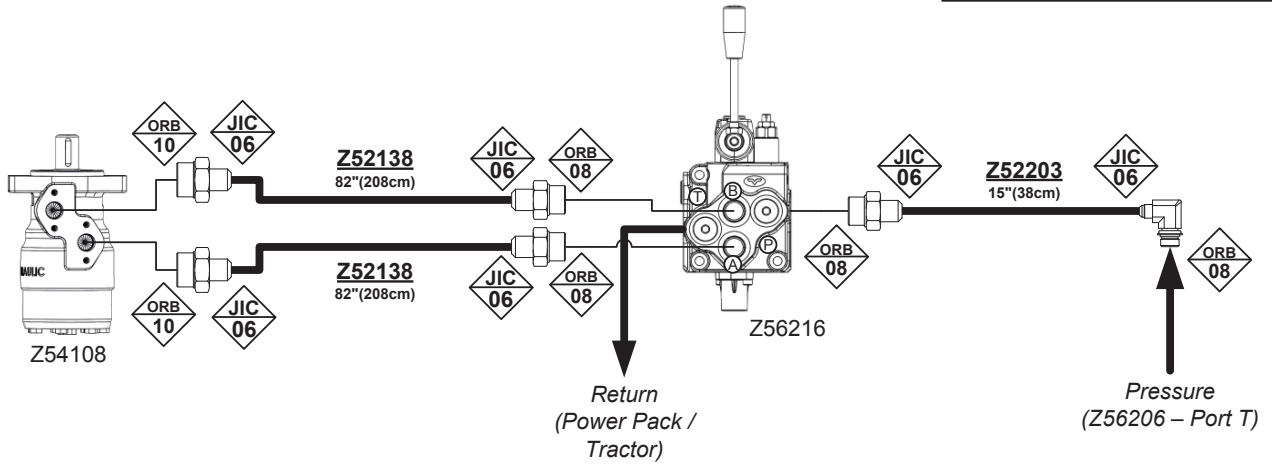
Hydraulic Schematic - Winch w/ Hydraulic Tandem Option

Model LX95PW

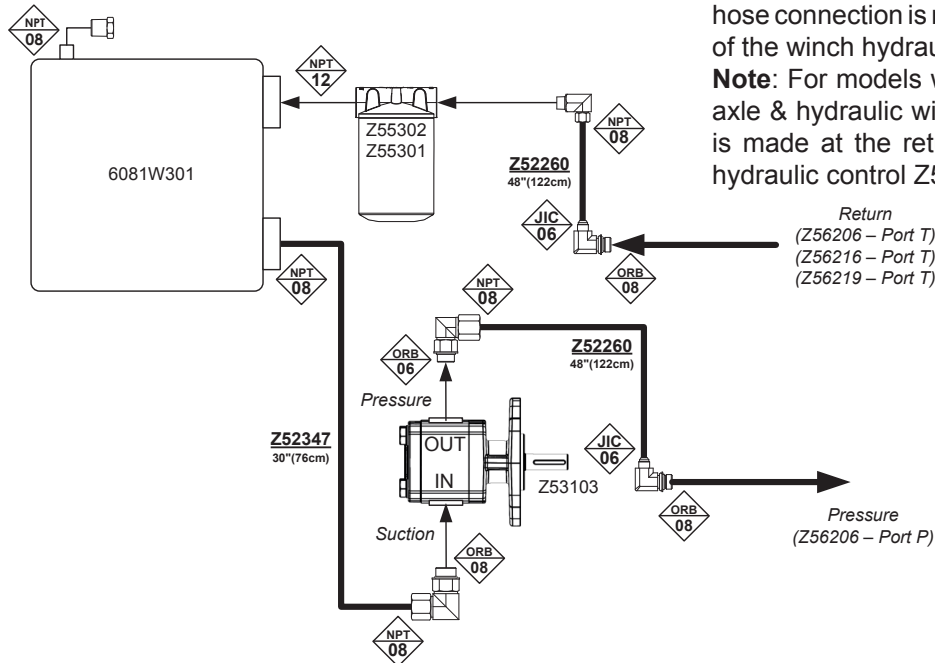


Hydraulic Schematic - Winch Option

Model LX95W



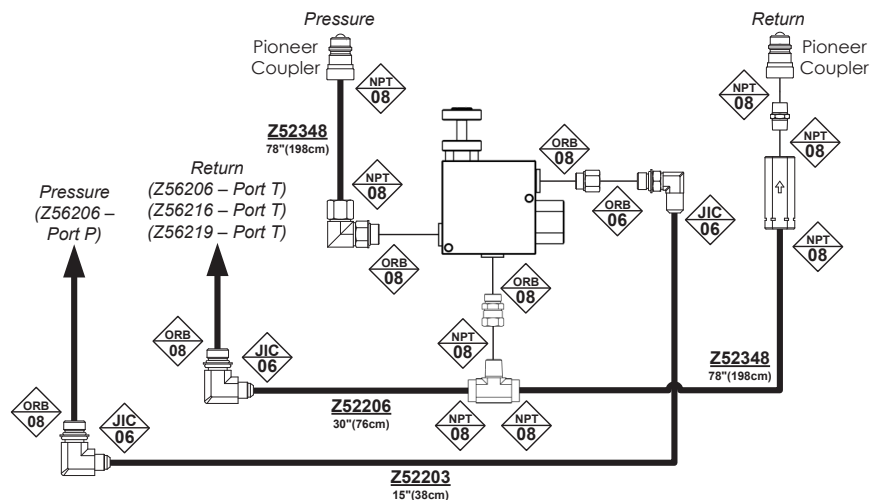
Hydraulic Schematic - Power Pack



Note: For models with hydraulic winch: hose connection is made at the return port of the winch hydraulic control Z56216.
Note: For models with hydraulic tandem axle & hydraulic winch: hose connection is made at the return port of the winch hydraulic control Z56219.

Hydraulic Schematic - Tractor Hydraulic Kit

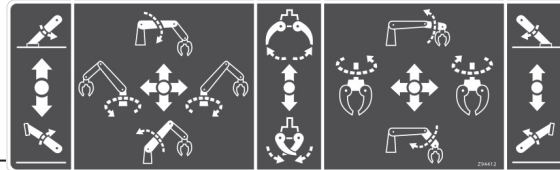
Note: For models with hydraulic winch: hose connection is made at the return port of the winch hydraulic control Z56216.
Note: For models with hydraulic tandem axle & hydraulic winch: hose connection is made at the return port of the winch hydraulic control Z56219.



Labels

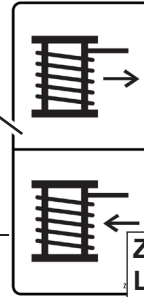
Note: Hydraulic Tandem Option, Only on grapples fitted to LT30A or LT30HA version Timber Talon Log Trailer

Z94117 x 1
LT30A - LT30HA

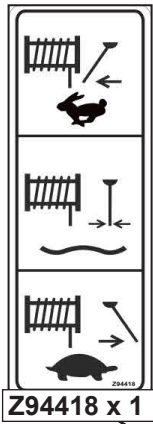


Z94412 x 1

REMEMBER - If safety signs have been damaged, removed, become illegible or parts replaced without safety signs, new signs must be applied. New safety signs are available from your authorized dealer.



Z94401 x 1
LX95W - LX95PW



Z94418 x 1



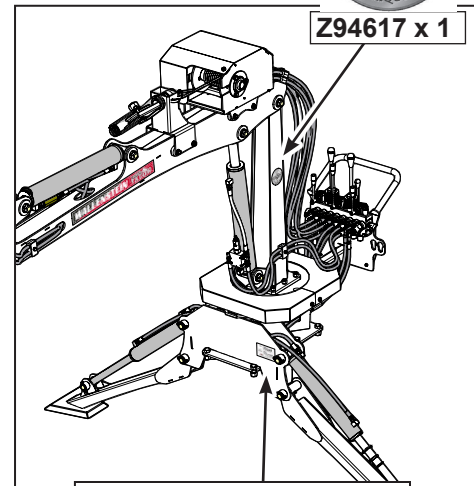
Z94633 x 2 - LX95



Z94163 x 1



Z94617 x 1



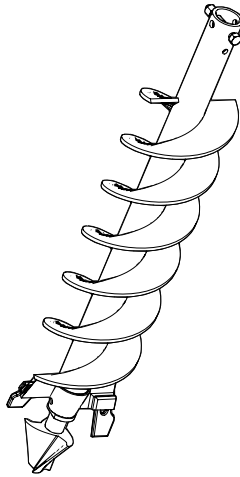
MODEL: #####-###
SERIAL NUMBER: #####

WALLENSTEIN www.embmfg.com
EMB MFG INC, 4144 BOOMER LINE,
ST CLEMENTS, ON N0B 2M0 CANADA

Serial Location

Accessories

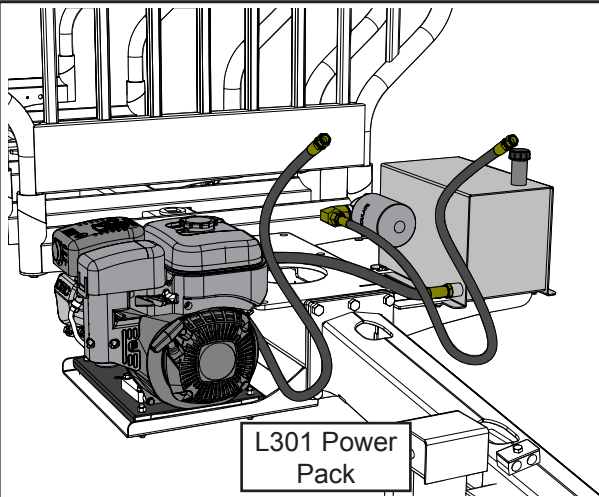
Call your dealer for pricing and availability



#LA610 6" Diameter Auger Kit
#LA910 9" Diameter Auger Kit

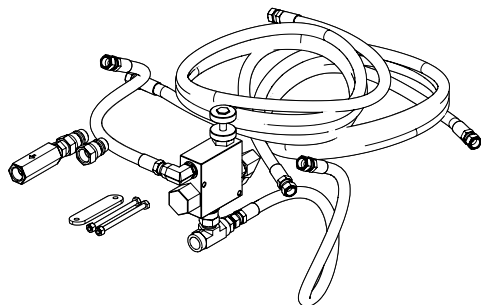
For all LX models.

A great way to get your fence post jobs done quickly and efficiently. Both hydraulic augers are capable of a hole depth of a 107 cm (42")



#L301 LX95 Power Pack

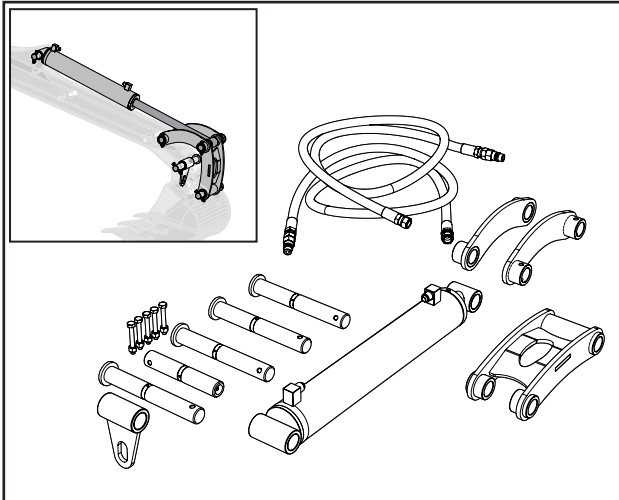
Independently power your LX grapple: the **L301 for LX95** features a 6HP Subaru engine. Power packs include hydraulic pump and 17.5 litre (4.6 us gal) reservoir tank.



#L101 Tractor Hydraulic Kit

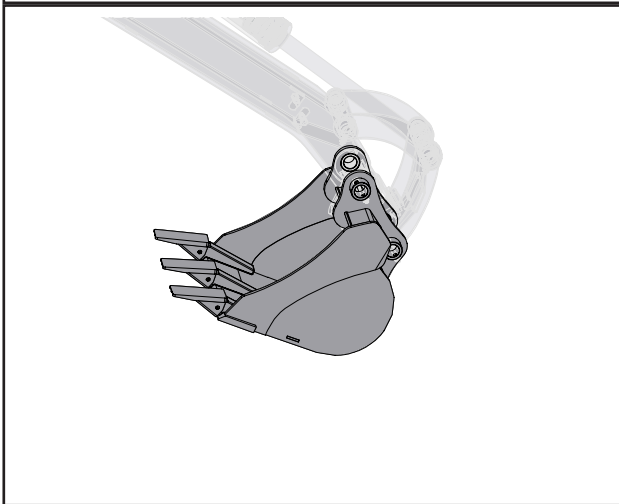
For all LX models

Makes use your existing tractor hydraulics, comes with everything you need to attach and control you hydraulics. Includes: flow control, hoses, and hardware



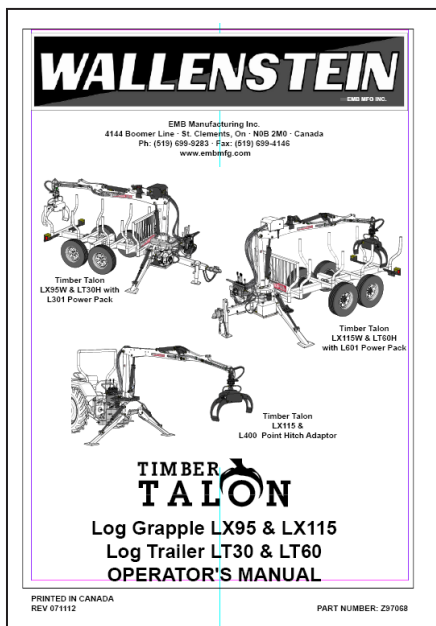
#BA201 Back Hoe Kit

For all **LX models**. (Bucket not included)
Trenching made easier with this great accessory, includes: hydraulic cylinder, hoses, bucket linkage, pins & hardware)



#BK series Bucket Options
for #BA201 Back Hoe Kit:

Choose the bucket you need for the job at hand.
BK2690 9" 3 Tooth Bucket
BK2612 12" 3 Tooth Bucket
BK2615 15" 4 Tooth Bucket
BK2618 18" 4 Tooth Bucket



#Z97068
OPERATOR'S MANUAL

Available as a download at
www.wallensteinequipment.com