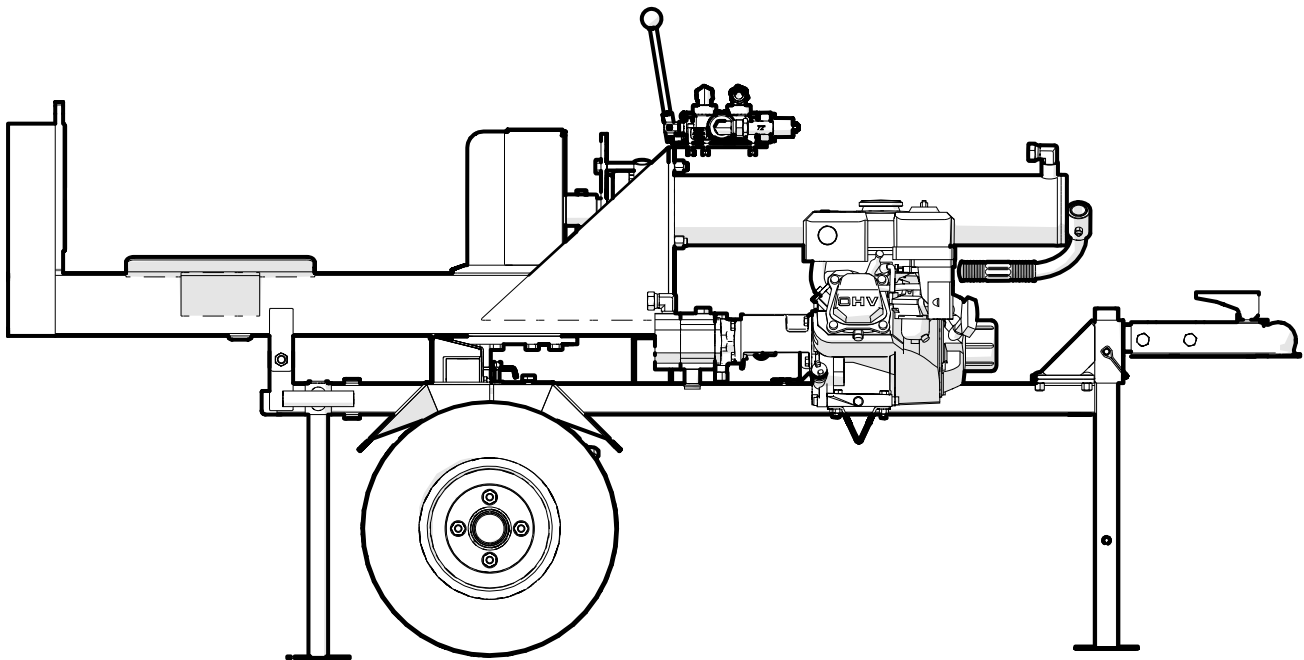


PARTS MANUAL

Serial Number 260265 to 260574 and 100032 to 100212

WX530 Trailer Log Splitter



Foreword

This Wallenstein parts manual is prepared to assist customers in ordering quality OEM replacement parts.

Regular maintenance combined with replacing old, worn or broken parts with the correct OEM parts is essential in prolonging the life of your Wallenstein product. Refer to this manual to identify replacement parts.

To order parts, contact your Wallenstein dealer or distributor. Have the product model and serial number handy.

If your dealer is no longer available, please go to WallensteinEquipment.com. At the bottom of the page, select Dealer Locator.

All information contained in this parts manual is current as per the revision date at the bottom of the page. Wallenstein reserves the right to change product specifications at any time without notice.

If your product specifications differ from those contained in this manual, contact Wallenstein for current information.

Reproduction of information in this parts manual is prohibited without prior written permission from Wallenstein Equipment Inc.

Wallenstein Equipment Inc. • © 2023

WARNING!

For safety, operation, and maintenance information, see the Operator's Manual.

Maintenance should be performed by trained personnel only.

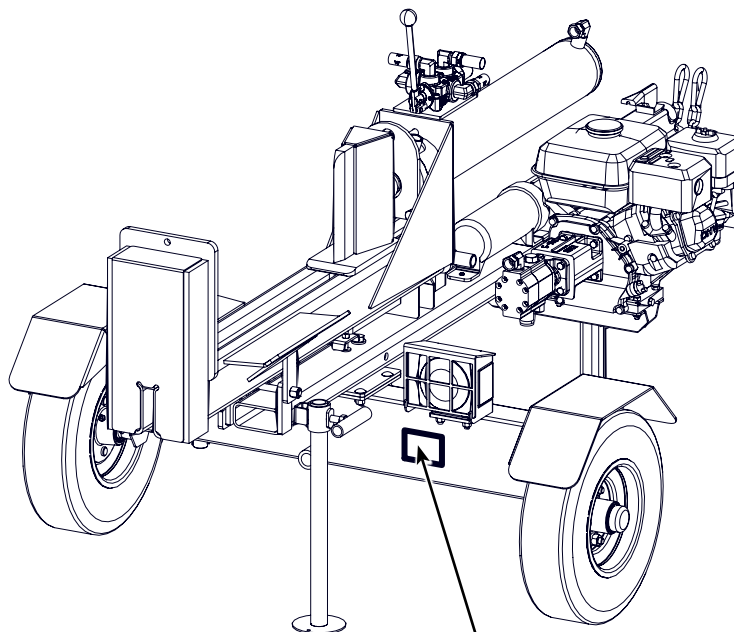
Serial Number Location

Always provide the model and serial number of your Wallenstein product when ordering parts or requesting service or other information. The serial number is on the product information plate as shown below.

Record your product information here for future reference.

Model _____

Serial Number _____



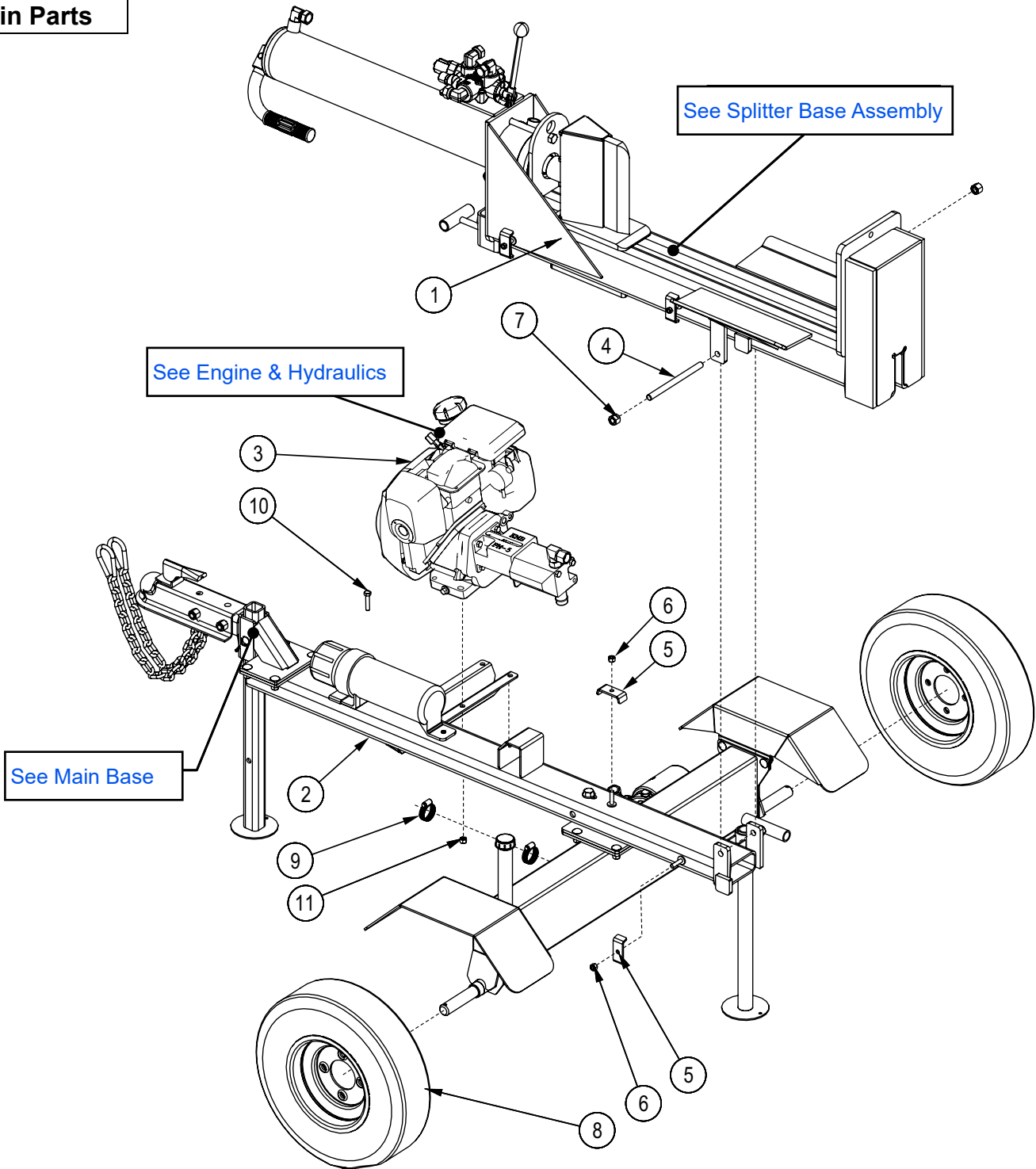
Product Information Plate

www.wallensteinequipment.com

Contents

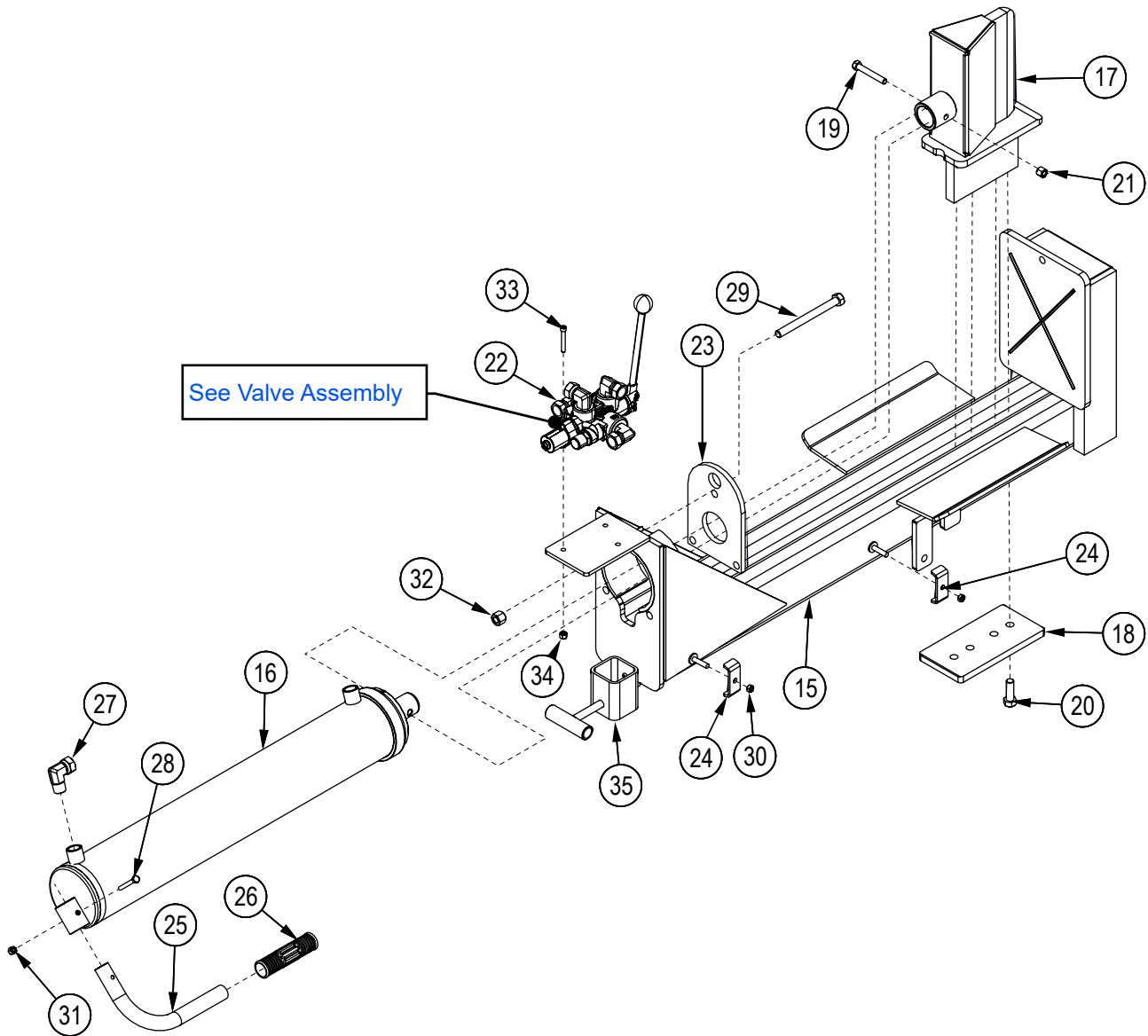
Main Parts	4
Splitter Base	5
Main Base Assembly	6
Engine and Hydraulics Assembly	7
Hub Assembly	8
Cylinder Assembly	8
Valve Assembly	9
Valve Service Kits	9
Hydraulic Circuit	10
Decal Layout.....	11
Accessories	12
Common Bolt Torque Values	13
Hydraulic Fitting Torque Values	14
Wheel Lug Torque Values.....	14

Main Parts



Item No.	Part No.	Description	Qty
1	2054A401	Assembly, Splitter Base	1
2	2054A601	Assembly, Main Base	1
3	Z47306	Honda GC160UAQHC, Rope	1
4	2016M602	Pin, Pivot Threaded	1
5	2054L412	Clamp, Two Hose	2
6	Z72221	Hex Lock Nut, 5/16NC	2
7	Z72251	Hex Lock Nut, 1/2NC	2
8	Z91301	4.80-8 LRB SportTrail 4on4"	2
9	Z79401	Hose Clamp, SAE #16 (1-1/2")	2
10	Z71215	Hex Bolt, 5/16NC x 1-1/2"	4
11	Z72231	Hex Lock Nut, 3/8NC	4

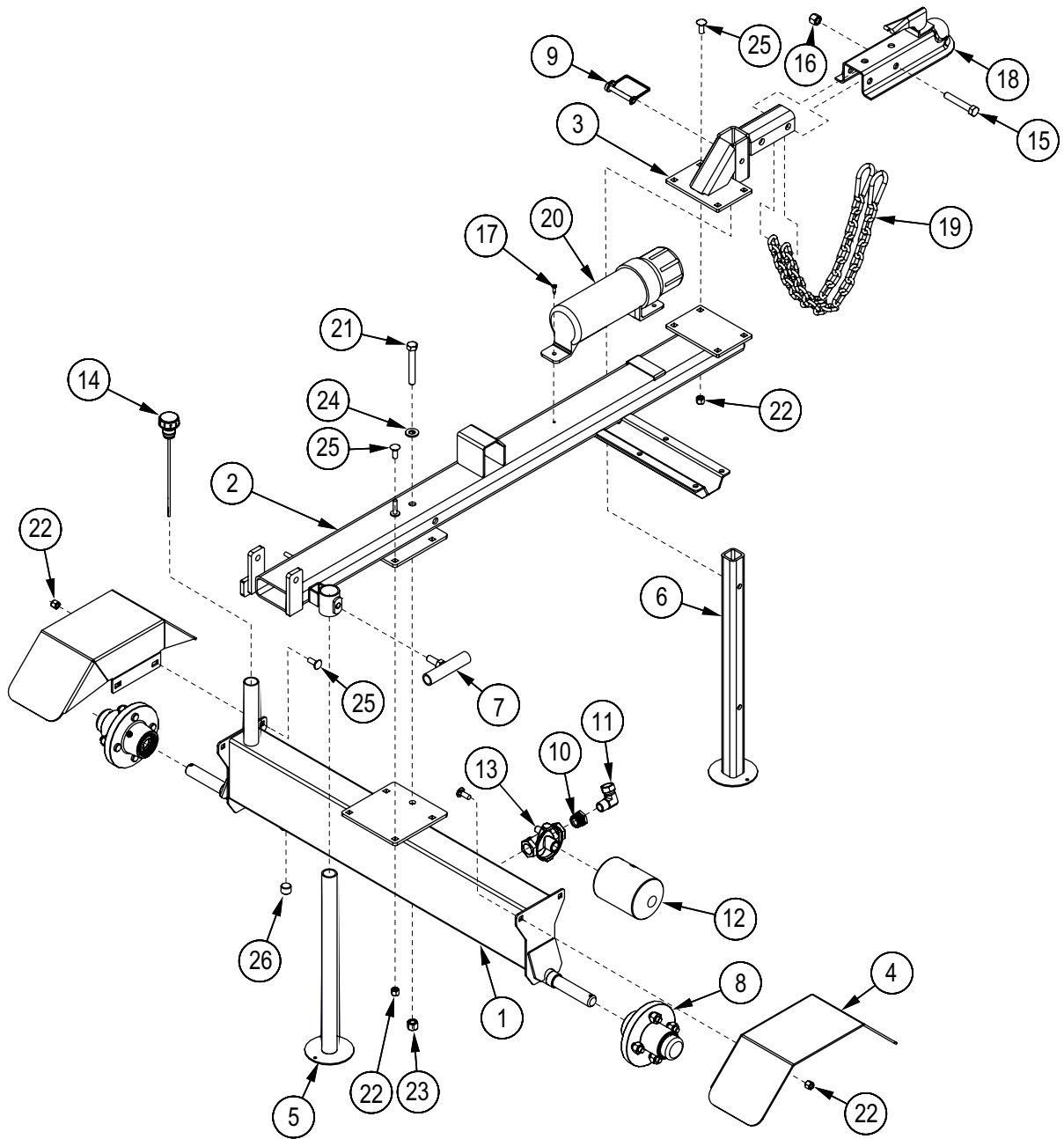
Splitter Base



Item No.	Part No.	Description	Qty
15	2054W409	Splitter Base for WX540	1
16	2054C401	Cylinder, 4 x 24 x 1-1/2	1
17	2014W402	Sliding Wedge	1
18	2014S414	Plate, Sliding Wedge Capture	1
19	Z71325	Hex Bolt, 3/8NC x 2-1/2"	1
20	Z71576G8	Hex Bolt, 1/2NF x 1-1/2" G8	4
21	Z72231	Hex Lock Nut, 3/8NC	1
22	2011A103	Assembly, Valve with Fittings	1
23	2014S421	Plate, Cylinder Retaining (Bolt)	1
24	2054L412	Clamp, Two Hose	2
25	2054S414	Handle, Lift	1

Item No.	Part No.	Description	Qty
26	Z19321	Handle Grip, 1"	1
27	Z51331	Elbow 90, MP x FFX 0808	1
28	Z71120	Hex Bolt, 1/4NC x 2"	1
29	Z71555	Hex Bolt, 1/2NC x 5-1/2"	3
30	Z72112	Hex Nut, 1/4NF	2
31	Z72211	Hex Lock Nut, 1/4NC	1
32	Z72251	Hex Lock Nut, 1/2NC	3
33	Z75114	SHCS, 1/4NC x 1-3/4"	3
34	Z72211	Hex Lock Nut, 1/4NC	3
35	2016A602	Spring Latch	1

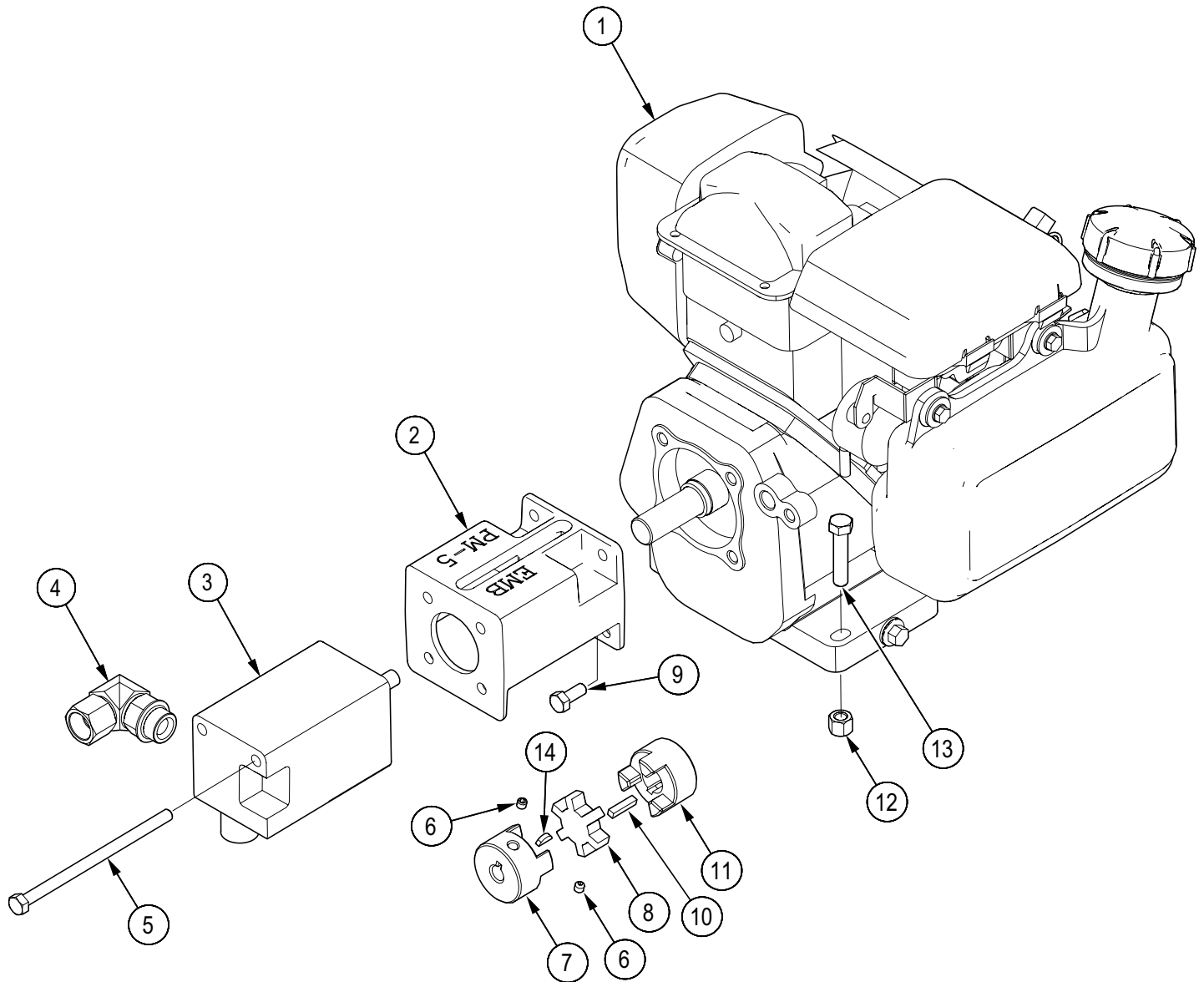
Main Base Assembly



Item No.	Part No.	Description	Qty
1	2054W661	WX540 Tank/Axle	1
2	2054W602	Trailer Spine	1
3	2054W604	Hitch Mount	1
4	2054W408	Fender	2
5	2054W405	Jack Stand, Rear	1
6	2054W406	Jack Stand, Front	1
7	2054W407	Handle, Rear Jack Lock	1
8	Z91202	Idler Hub Assy, 1000lbs x 4on4" x 1"	2
9	Z12432	Snap Lock Pin, 3/8" x 2-1/2"	1
10	Z51221	Straight, MP x FP 1208	1
11	Z51331	Elbow 90, MP x FPX 0808	1
12	Z55301	Particulate Filter, FP12	1
13	Z55302	Filter Cap, MP12 x FP12	1
14	Z55404	Vented Plug Dipstick x 9"	1

Item No.	Part No.	Description	Qty
15	Z71530	Hex Bolt, 1/2NC x 3"	2
16	Z72251	Hex Lock Nut, 1/2NC	2
17	Z76712	Self-tapping Screw, #10 x 3/4"	1
18	Z91614	Hitch Coupler, 2" Ball x 2" x 3500 lb	1
19	Z92303	Safety Chain, 1/4" x 2ft with Snap	2
20	Z96503	Manual Tube, 3-1/2" Short	1
21	Z71535	Hex Bolt, 1/2NC x 3-1/2"	1
22	Z72231	Hex Lock Nut, 3/8NC	12
23	Z72251	Hex Lock Nut, 1/2NC	1
24	Z73151	SAE Washer, 1/2"	1
25	Z76231	Carriage Bolt, 3/8NC x 1"	12
26	Z51192	Socket Plug, MP 08	1

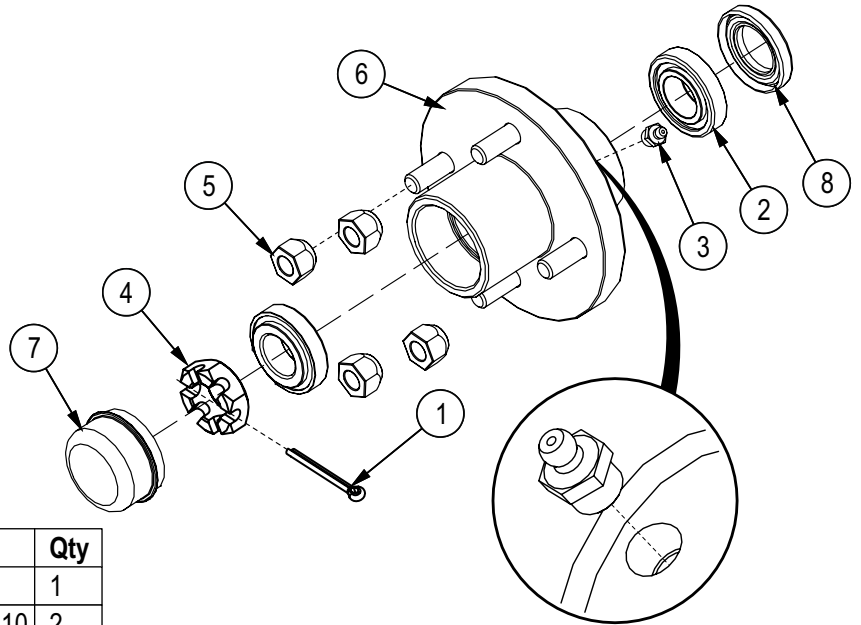
Engine and Hydraulics Assembly



Item No.	Part No.	Description	Qty
1	Z47306	Honda GC160UAQHC, Rope	1
2	Z53801	Pump Mount, PM-5	1
3	Z53201	Two-Stage Pump, 11GPM	1
4	Z51383	Elbow 90, MORB x FPX 0808	1
5	Z71255	Hex Bolt, 5/16NC x 5-1/2"	2
6	Z74111	Set Screw, 1/4NC x 1/4"	2
7	Z46407	Shaft Coupling, L075 x 7/16"	1

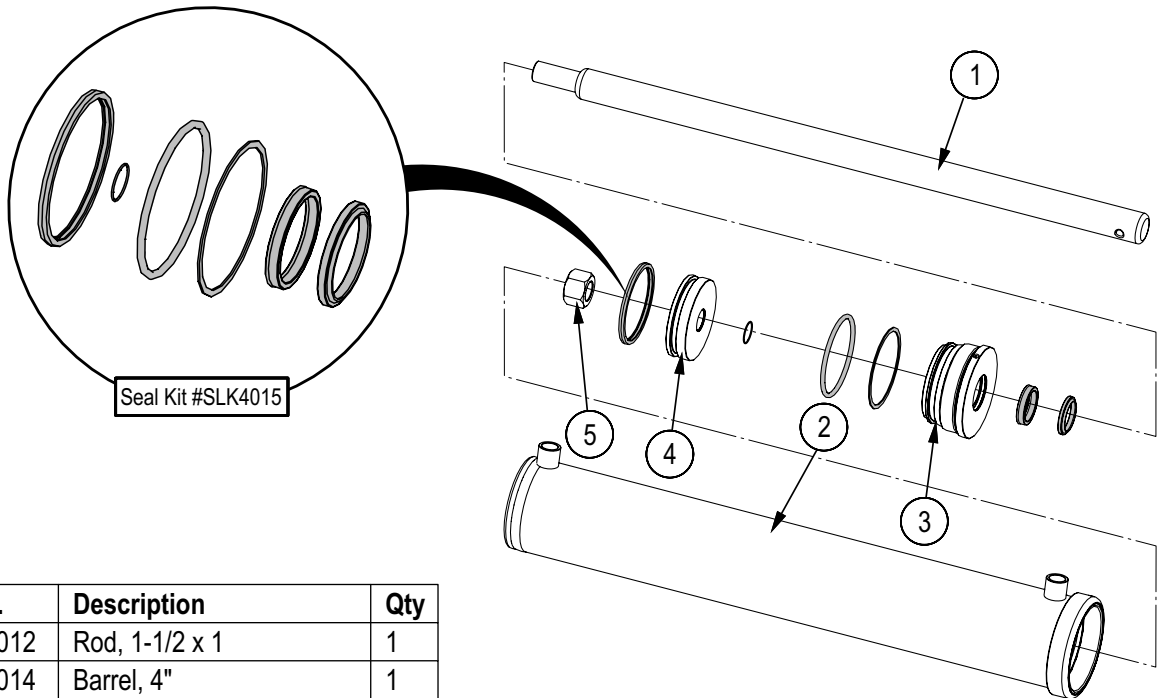
Item No.	Part No.	Description	Qty
8	Z46408	Spider, L075	1
9	Z71273	Hex Bolt, 5/16NF x 3/4"	4
10	Z46521	Key, 3/16" x 3/16" x 7/8"	1
11	Z46406	Shaft Coupler, L075 x 3/4"	1
12	Z72231	Hex Lock Nut, 3/8NC	4
13	Z71317	Hex Bolt, 3/8NC x 1-3/4"	4
14	Z46592	Woodruff Key, 1/8" x 1/2"	1

Hub Assembly



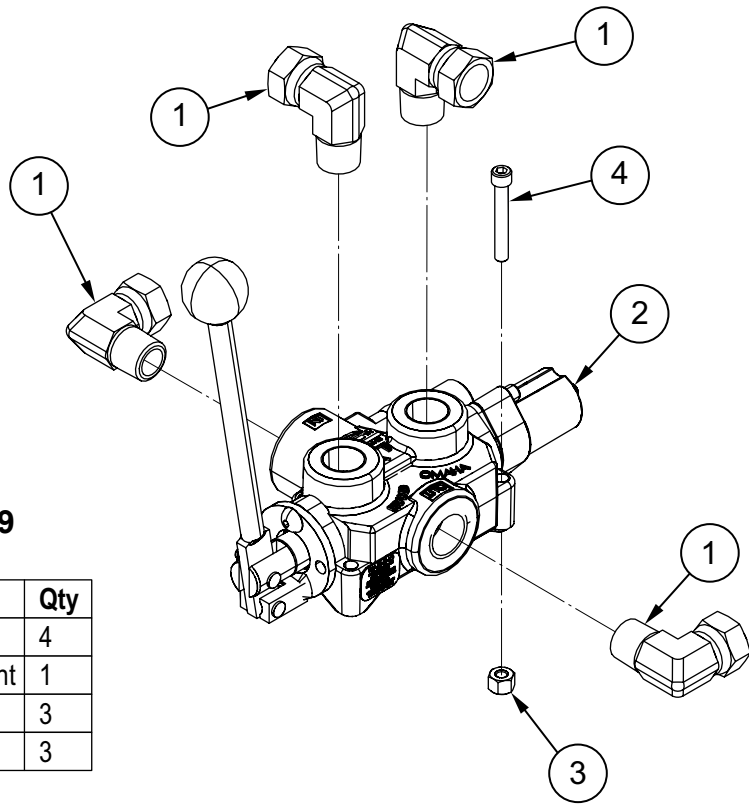
Item No.	Part No.	Description	Qty
1	Z12321	Cotter Pin, 3/16" x 1-3/4"	1
2	Z23201	Roller Bearing, L44643 L44610	2
3	Z29201	Grease Fitting, MP02	1
4	Z72691	Castle Nut, 1NF x 9/16" Thick	1
5	Z72931	Lug Nut, 1/2NF	4
6	Z91201	Hub, 1000lbs x 4on4	1
7	Z91801	Dust Cap, 1.98 Bore	1
8	Z28301	Double Lip Seal, 1-1/4"	1

Cylinder Assembly



Item No.	Part No.	Description	Qty
1	2011C1012	Rod, 1-1/2 x 1	1
2	2011C1014	Barrel, 4"	1
3	G400-150S	Gland, 4" x 1-1/2"	1
4	P100-400SP	Piston, 4" Bore	1
5	Z72292G8	Hex Lock Nut 1NF Grade 8	1

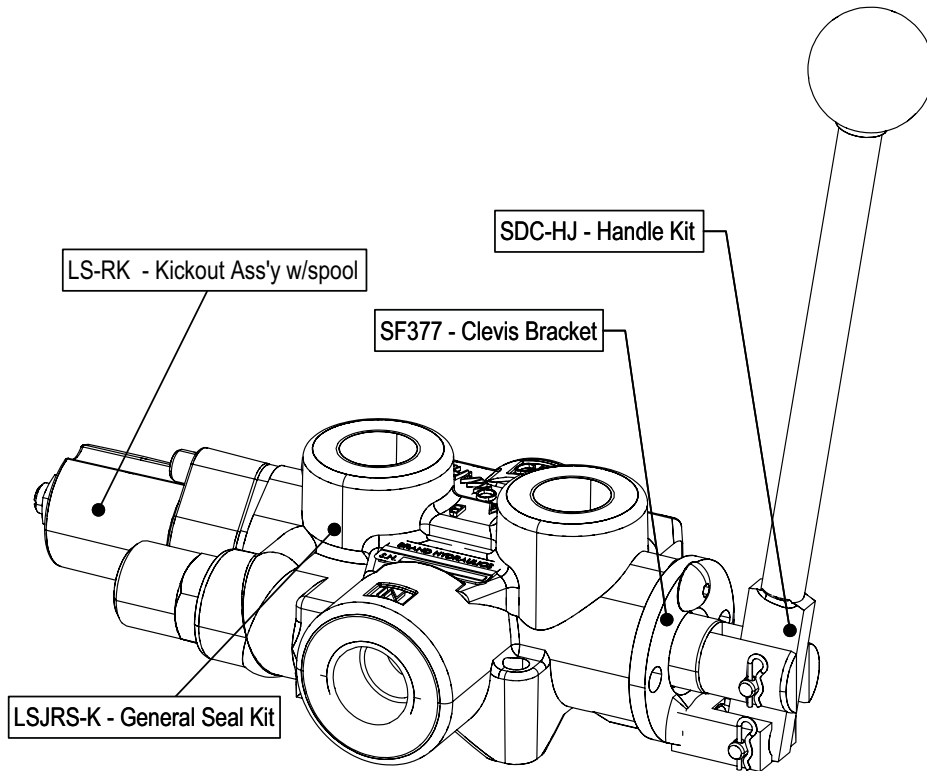
Valve Assembly



Control Valve Assembly– P/N Z56209

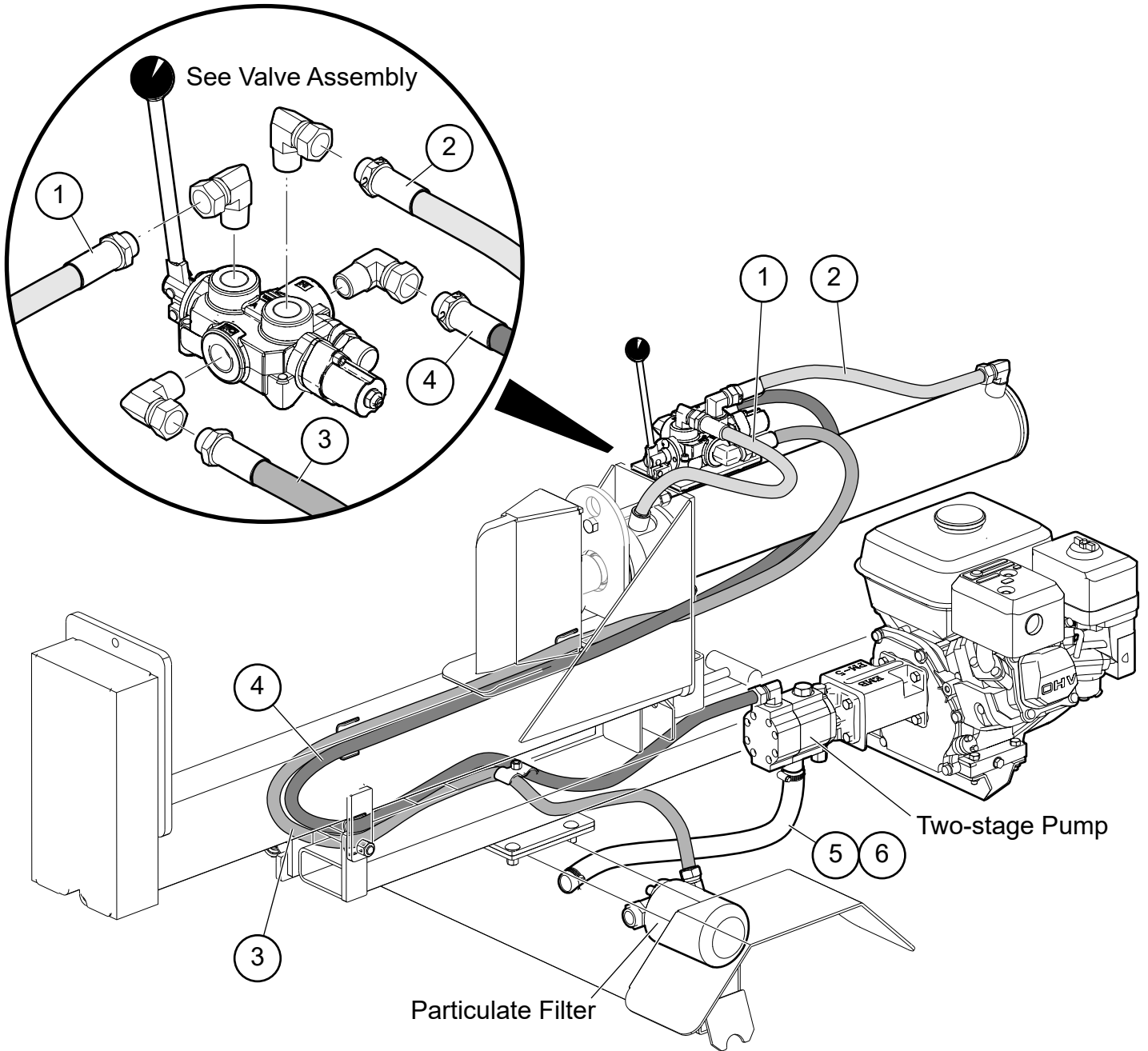
Item No.	Part No.	Description	Qty
1	Z51331	Elbow 90 MP x FPX 0808	4
2	Z56209	Valve, Single Function Detent	1
3	Z72211	Hex Lock Nut, 1/4NC	3
4	Z75114	SHCS, 1/4NC x 1-3/4"	3

Valve Service Kits



Z56209 Single Spool Valve - PLS50T4JRSHEMB1

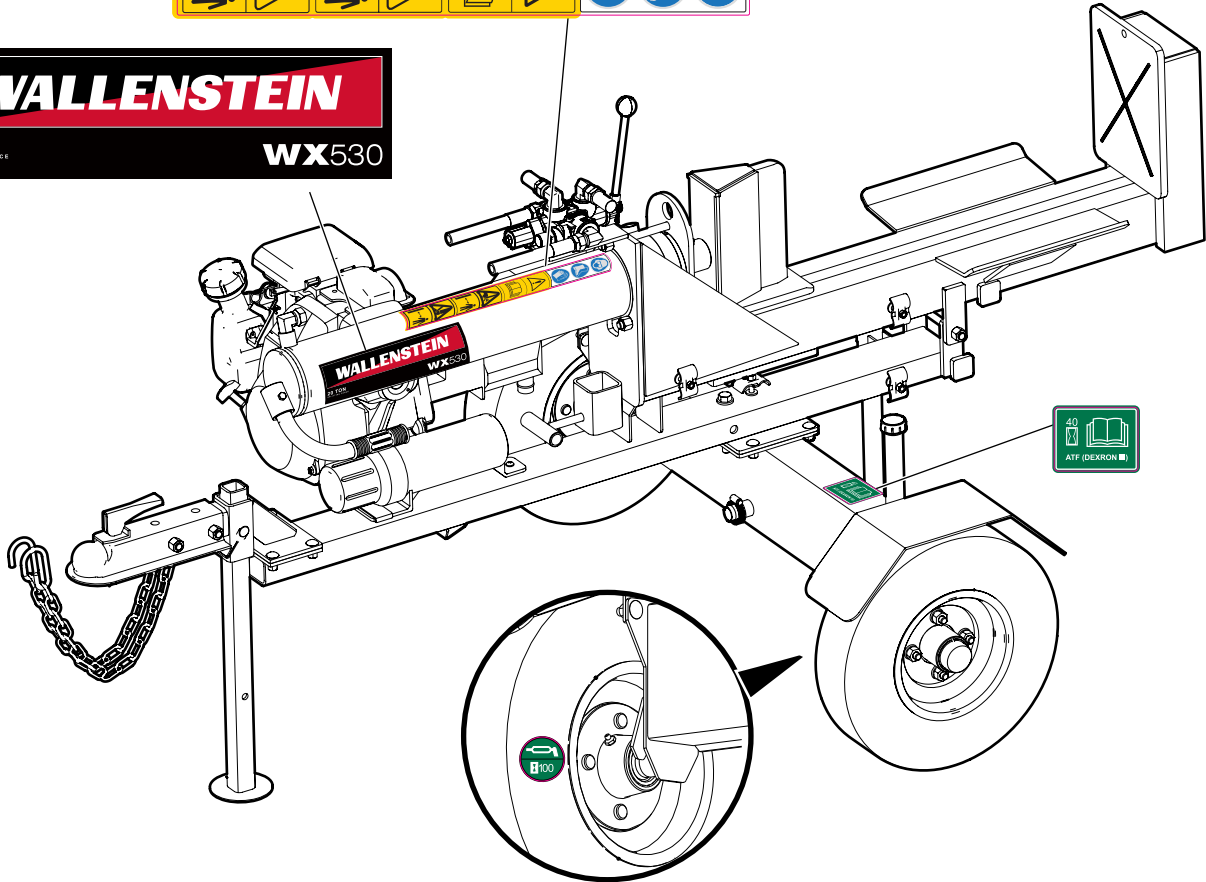
Hydraulic Circuit

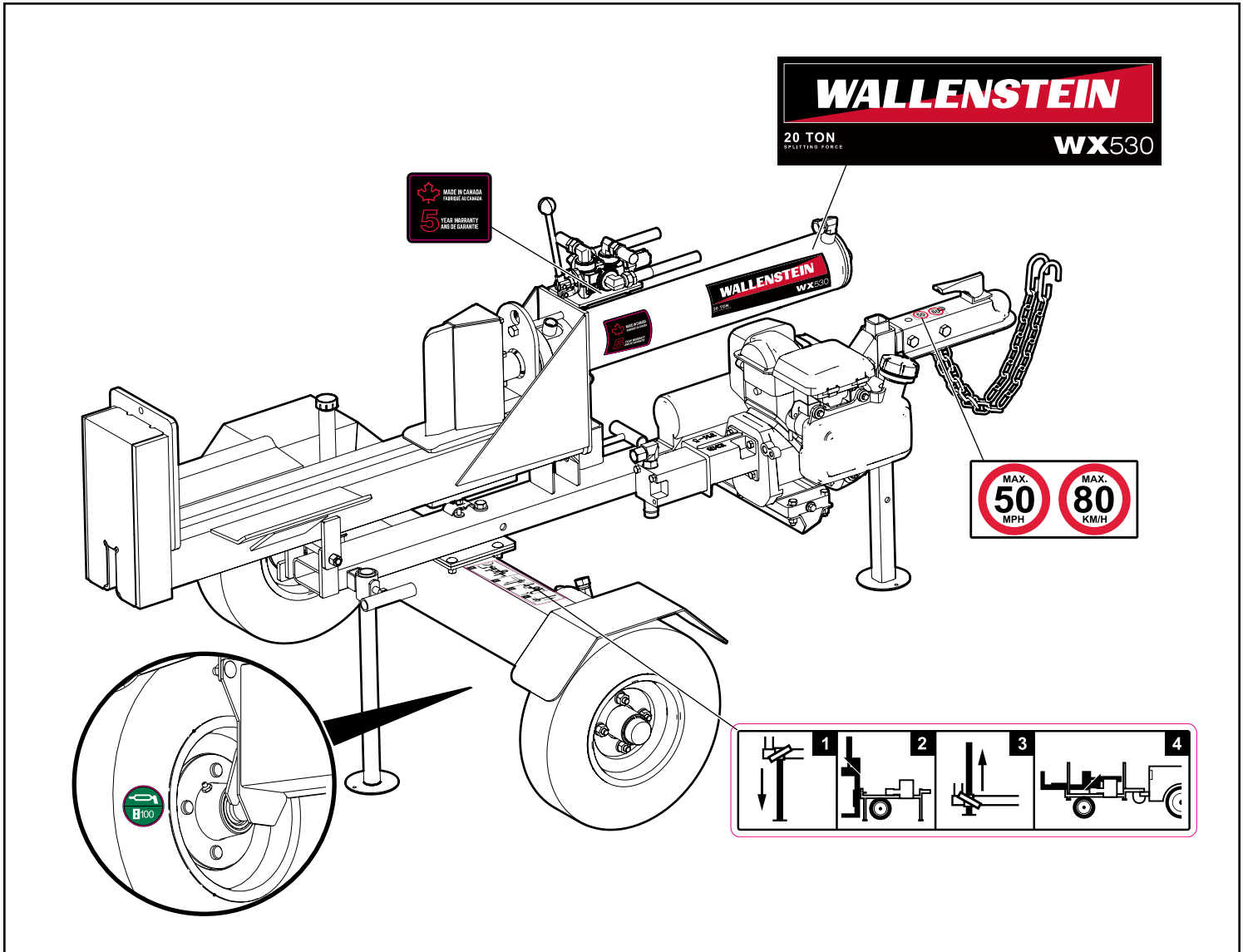


Item No.	Part No.	Description	Qty
1	Z52305	1/2" Hose, MP08 x MP08 x 13"	1
2	Z52301	1/2" Hose, MP08 x MP08 x 19"	1
3	Z52311	1/2" Hose, MP08 x MP08 x 72"	1
4	Z52309	1/2" Hose, MP08 x MP08 x 67"	1
5	Z52405	Suction Hose, 1" x 24"	1
6	Z79401	Hose Clamp, SAE #16 (1-1/2")	2

Decal Layout

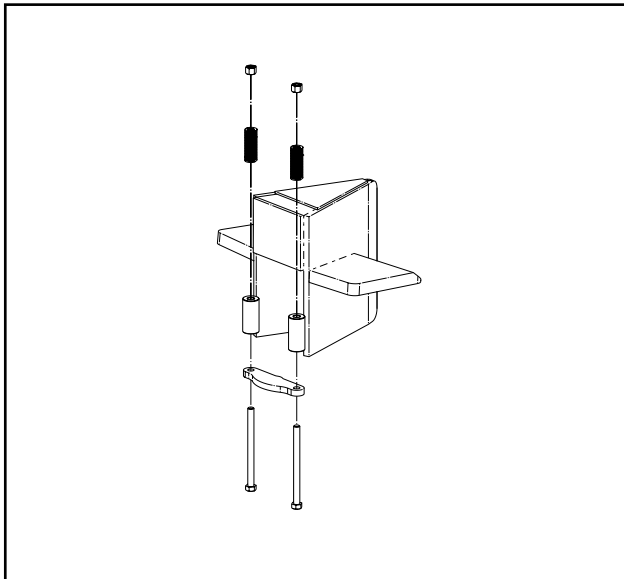
IMPORTANT! If parts are replaced that have safety signs on them, new signs must be applied. Safety signs must always be replaced if they become damaged, are removed, or become illegible.





Accessories

Call your dealer for pricing and availability



4-Way Wedge – P/N W4120

Boost your productivity and make quick work out of logs by splitting four pieces at once. This is an ideal way to save time.


Common Bolt Torque Values

Checking Bolt Torque

The tables shown give correct torque values for various bolts and capscrews. Tighten all bolts to the torque values specified in the table, unless indicated otherwise. Check tightness of bolts periodically.

IMPORTANT! If replacing hardware, use fasteners of the same grade.

IMPORTANT! Torque figures indicated in the table are for non-greased or non-oiled threads. Do not grease or oil threads unless indicated otherwise. When using a thread locker, increase torque values by 5%.

 **NOTE:** Bolt grades are identified by their head markings.

Imperial Bolt Torque Specifications

Bolt Diameter	Torque Value					
	SAE Gr. 2		SAE Gr. 5		SAE Gr. 8	
	lbf·ft	N·m	lbf·ft	N·m	lbf·ft	N·m
1/4"	6	8	9	12	12	17
5/16"	10	13	19	25	27	36
3/8"	20	27	33	45	45	63
7/16"	30	41	53	72	75	100
1/2"	45	61	80	110	115	155
9/16"	60	95	115	155	165	220
5/8"	95	128	160	215	220	305
3/4"	165	225	290	390	400	540
7/8"	170	230	420	570	650	880
1"	225	345	630	850	970	1320



SAE Gr. 2



SAE Gr. 5



SAE Gr. 8

Metric Bolt Torque Specifications

Bolt Diameter	Torque Value			
	Gr. 8.8		Gr. 10.9	
	lbf·ft	N·m	lbf·ft	N·m
M3	0.4	0.5	1.3	1.8
M4	2.2	3	3.3	4.5
M6	7	10	11	15
M8	18	25	26	35
M10	37	50	52	70
M12	66	90	92	125
M14	83	112	116	158
M16	166	225	229	310
M20	321	435	450	610
M30	1,103	1 495	1,550	2 100



8.8



10.9

Hydraulic Fitting Torque Values

Tightening Flare Type Tube Fittings

1. Check flare and flare seat for defects that might cause leakage.
2. Align tube with fitting before tightening.
3. Hand-tighten swivel nut until snug.
4. To prevent twisting the tube, use two wrenches. Place one wrench on the connector body and tighten the swivel nut with the second. Torque to values shown.

If a torque wrench is not available, use the FFFT (Flats From Finger Tight) method.

Hydraulic Fitting Torque					
Tube Size OD	Hex Size Across Flats	Torque value		Flats From Finger Tight	
		lbf•ft	N•m	Flats	Turns
3/16	7/16	6	8	2	1/6
1/4	9/16	11–12	15–17	2	1/6
5/16	5/8	14–16	19–22	2	1/6
3/8	11/16	20–22	27–30	1-1/4	1/6
1/2	7/8	44–48	59–65	1	1/6
5/8	1	50–58	68–79	1	1/6
3/4	1-1/4	79–88	107–119	1	1/8
1	1-5/8	117–125	158–170	1	1/8

Values shown are for non-lubricated connections.

Wheel Lug Torque Values

It is extremely important safety procedure to apply and maintain proper wheel mounting torque on your trailer axle. Torque wrenches are the best method to assure the proper amount of torque is being applied to a fastener.

Wheel lugs should be torqued before first road use and after each wheel removal. Check and re torque after the first 10 miles (16 km), 25 miles (40 km), and again at 50 miles (80 km). Check periodically thereafter.

NOTE: *Wheel lugs must be applied and maintained at the proper torque levels to prevent loose wheels, broken studs, and possible dangerous separation of wheels from your axle.*

- Start all lugs by hand to prevent cross threading.
- Tighten lugs in sequence, per wheel lug torque sequence chart.
- The tightening of the fasteners should be done in stages. Following the recommended sequence, tighten fasteners per wheel torque requirements chart.

Wheel Lug Nut Torque				
Wheel Size	Units	1st Stage	2nd Stage	3rd Stage
8"	lbf•ft N•m	12–20 16–26	30–35 39–45.5	45–55 58.5–71.5
12"	lbf•ft N•m	20–25 26–32.5	35–40 45.5–52	50–60 65–78
13"	lbf•ft N•m	20–25 26–32.5	35–40 45.5–52	50–60 65–78
14"	lbf•ft N•m	20–25 26–32.5	50–60 65–78	90–120 117–156
15"	lbf•ft N•m	20–25 26–32.5	50–60 65–78	90–120 117–156
16"	lbf•ft N•m	20–25 26–32.5	50–60 65–78	90–120 117–156

Wheel Lug Torque Pattern

