



LX5300 SkidSteer Log Grapple Parts Manual

Starting with S/N 653001 to 6530017



LX5300

Foreword

EMB Mfg. has prepared this parts manual to assist customers in ordering quality OEM replacement parts.

Proper and regular service and replacing old, worn or broken parts with the correct Wallenstein parts are essential to prolonging the life of your Wallenstein product. Please refer to this manual before ordering any replacement parts.

All information contained in this parts manual is based on the latest product specification available at the time of printing this manual. If your product differs from the specifications contained within this manual contact EMB Mfg. for information.

EMB reserves the right to alter specifications on their products at any time.

Reproduction of this parts manual of any kind is prohibited without prior written permission from EMB Mfg.

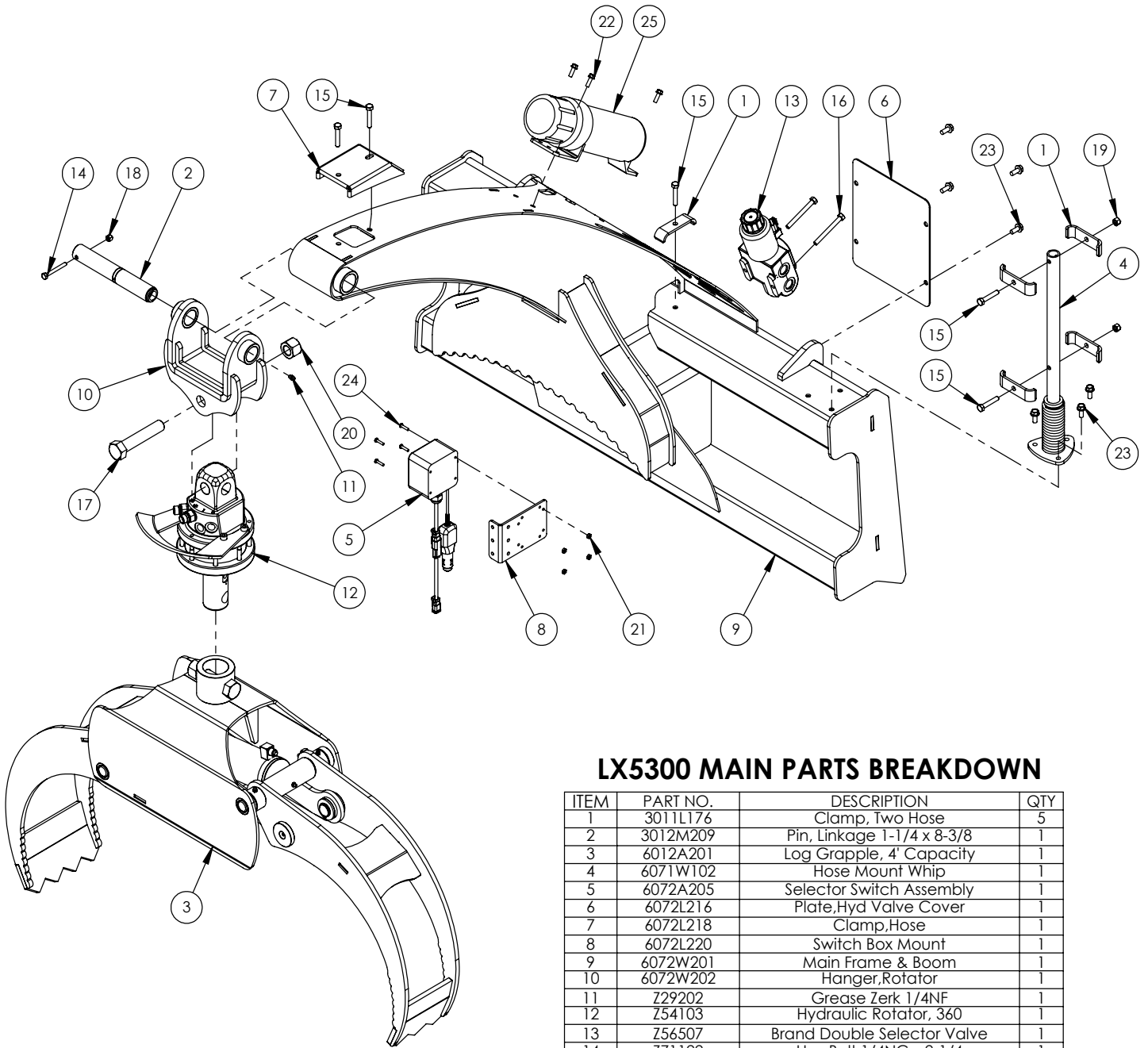
Note: Products with factory installed light kits will have a VIN number included. The last six numbers of this VIN number are the splitters serial number

Example: 2E9US1112BSXXXXXX

Table of Contents

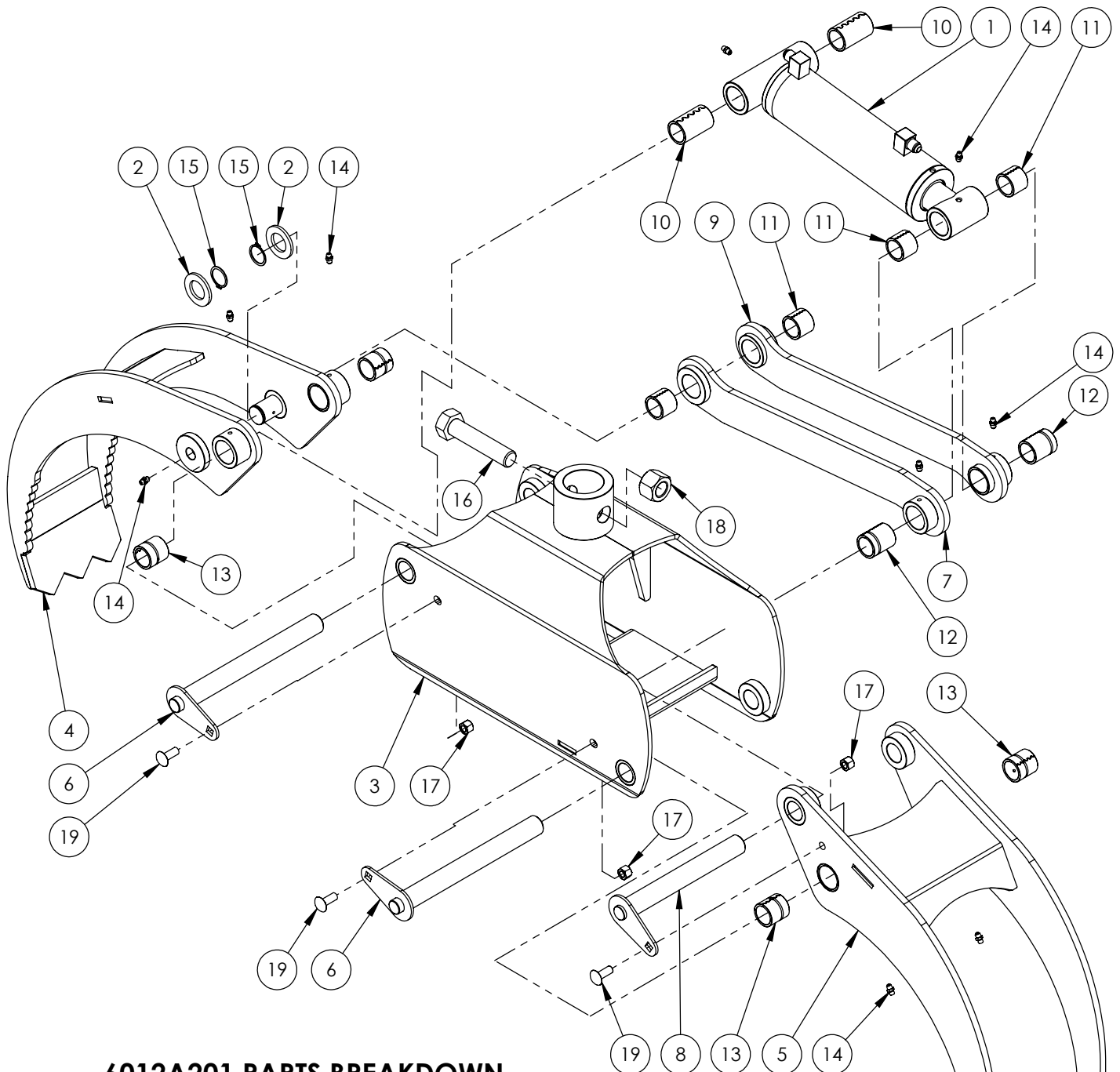
Main Parts	5
Grapple	6
Cylinder	7
Decal Breakdown	8

This Page is Intentionally Blank



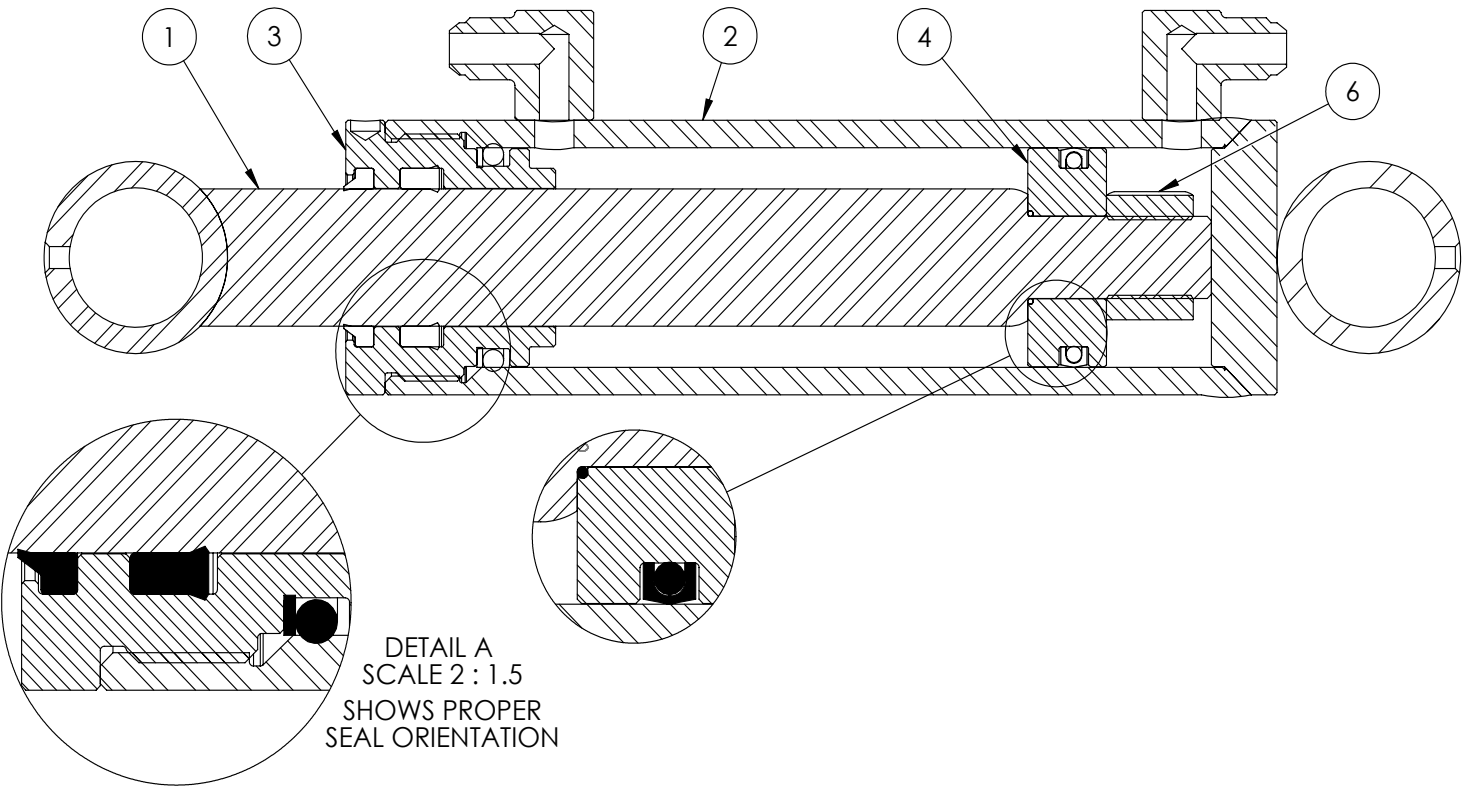
LX5300 MAIN PARTS BREAKDOWN

ITEM	PART NO.	DESCRIPTION	QTY
1	3011L176	Clamp, Two Hose	5
2	3012M209	Pin, Linkage 1-1/4 x 8-3/8	1
3	6012A201	Log Grapple, 4' Capacity	1
4	6071W102	Hose Mount Whip	1
5	6072A205	Selector Switch Assembly	1
6	6072L216	Plate, Hyd Valve Cover	1
7	6072L218	Clamp, Hose	1
8	6072L220	Switch Box Mount	1
9	6072W201	Main Frame & Boom	1
10	6072W202	Hanger, Rotator	1
11	Z29202	Grease Zerk 1/4NF	1
12	Z54103	Hydraulic Rotator, 360	1
13	Z56507	Brand Double Selector Valve	1
14	Z71122	Hex Bolt 1/4NC x 2-1/4	1
15	Z71217	Hex Bolt 5/16NC x 1-3/4	5
16	Z71230	Hex Bolt 5/16NC x 3	2
17	Z71873	Hex Bolt, 7/8NC x 4-1/2	1
18	Z72111	Hex Lock Nut 1/4NC	1
19	Z72221	Hex Lock Nut 5/16NC	2
20	Z72281	Hex Lock Nut 7/8NC	1
21	Z72741	Machine Nut, 8-32	4
22	Z76111	Flange Bolt 1/4NC x 3/4	3
23	Z76121	Flange Bolt 5/16NC x 3/4	7
24	Z78310	Machine Screw #8NC x 3/4	4
25	Z96503	Manual Tube 3-1/2 Short	1



6012A201 PARTS BREAKDOWN

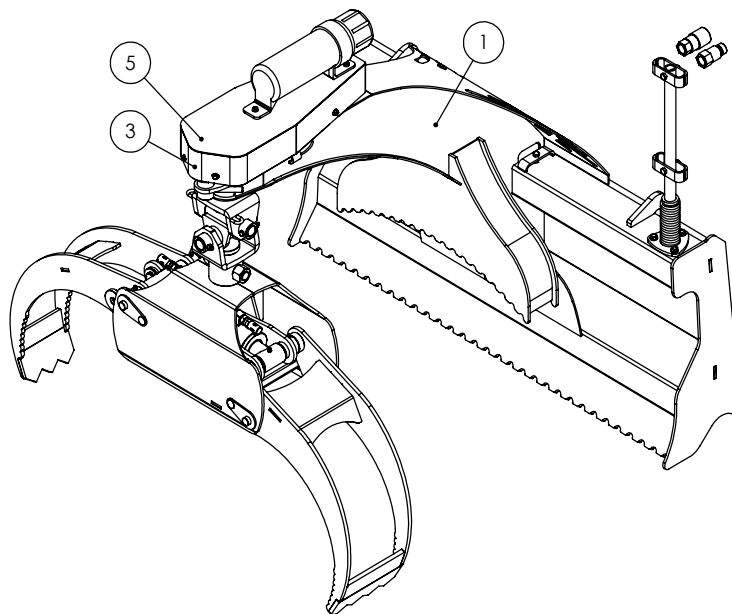
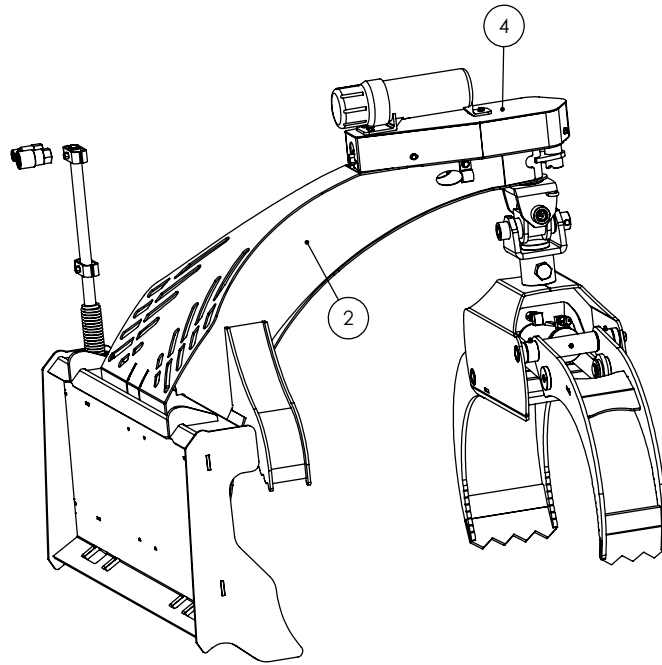
ITEM	PART NO.	DESCRIPTION	QTY
1	6012C205	Cylinder, 2-1/2 x 6	1
2	6012L118	Washer, Linkage	2
3	6012W200	LX480 Main Grapple Frame	1
4	6012W201	Narrow (Inside) Fork	1
5	6012W202	Wide (Outside) Fork	1
6	6012W203	1" Flange Pin	2
7	6012W204	Linkage Bar	1
8	6012W205	1" Hex Head Pin	1
9	6012W207	Linkage Bar	1
10	Z27222	Connex Bushing 1 x 2	2
11	Z27223	Connex Bushing 1 x 1	4
12	Z27226	Connex Bushing 1 x 1-1/2 x 3/8	2
13	Z27227	Connex Bushing, 1 x 1-1/4 x 1/2	4
14	Z29202	Grease Zerk 1/4NF	10
15	Z46204	External Retaining Ring, 1"	2
16	Z71872	Hex Bolt, 7/8NC x 4	1
17	Z72231	Hex Lock Nut 3/8NC	3
18	Z72281	Hex Lock Nut 7/8NC	1
19	Z76231	Carriage Bolt 3/8NC x 1	3



ITEM	6012C205	Description	QTY.
1	6012C2053	Rod	1
2	6012C2054	Barrel, 2" / 2-1/2" Bore	1
3	G250-150S	Rod Gland	1
4	P100-250SP	2" / 2-1/2" Bore Piston	1
5	SLK-2515	Seal Kit	1
6	Z72272G8	Hex Lock Nut 3/4NF Grade 8	1

LOG GRAPPLE DECAL BREAKDOWN

ITEM	PART NO.	DESCRIPTION	QTY
1	Z94157	LX5300 LH	1
2	Z94158	LX5300 RH	1
3	Z94019	Made in Canada	1
4	Z94033	Boom/ Grapple Hazard	1
5	emb-079	Read Manual	1



LX5300 Decals



Z94157



Z94158

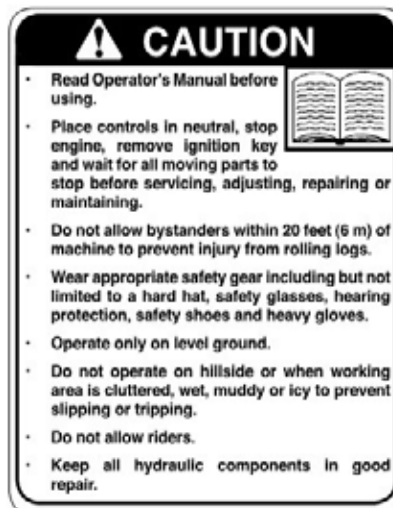
Z94019



Z94033

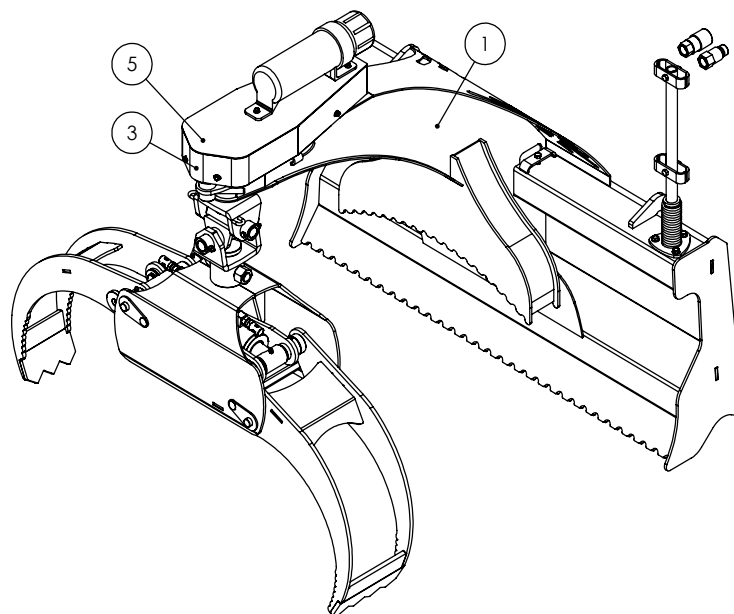
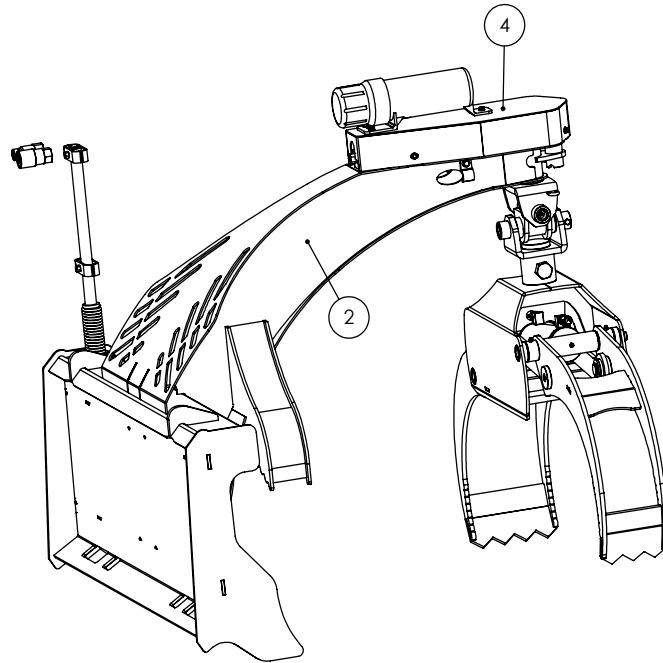


emb-079



LOG GRAPPLE DECAL BREAKDOWN

ITEM	PART NO.	DESCRIPTION	QTY
1	Z94157	LX5300 LH	1
2	Z94158	LX5300 RH	1
3	Z94019	Made in Canada	1
4	Z94166	Boom/ Grapple Hazard	1
5	Z94119	Read Manual	1



Two Panel LX5300 Decals

Z94019



Z94157



Z94158

Z94119



Z94119

Z94166



Z94166



WALLENSTEIN Products Manufactured by:

EMB MFG Inc.

4144 Boomer Line
St. Clements, Ontario
Canada N0B 2M0
Phone: 1-877-695-9283
Fax: 519-699-4146
www.embmfg.com