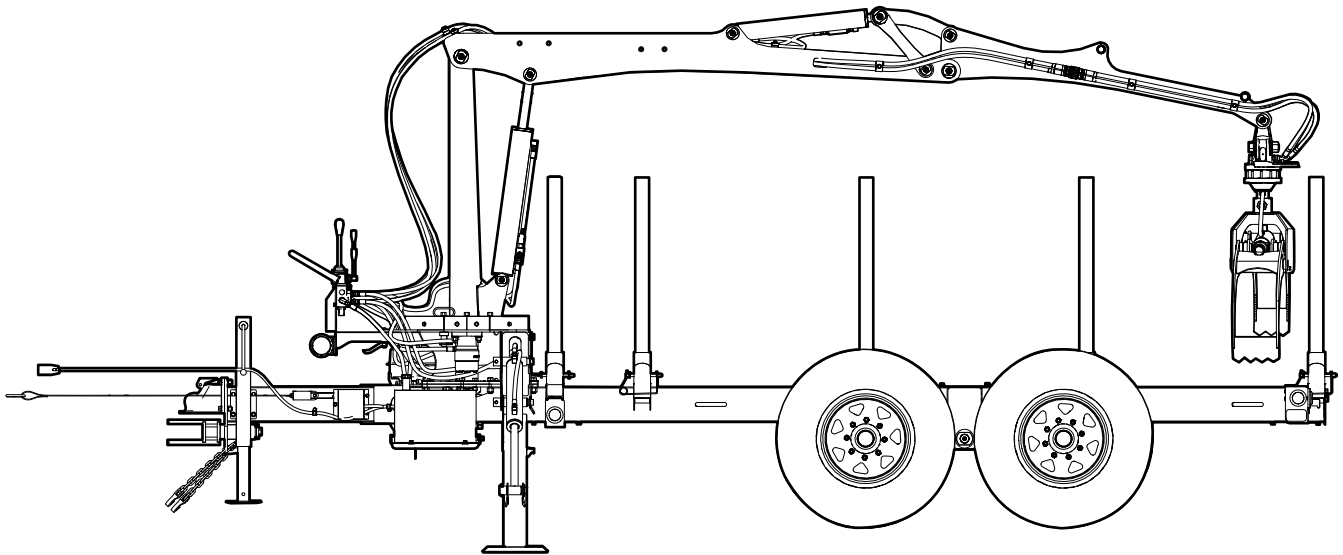


PARTS MANUAL

LXT95 S/N 95X130 to 95X146, 1100000 and up

LXT95 Log Loader Trailer



Foreword

This Wallenstein parts manual is prepared to assist customers in ordering quality OEM replacement parts.

Regular maintenance combined with replacing old, worn or broken parts with the correct OEM parts is essential in prolonging the life of your Wallenstein product. Refer to this manual to identify replacement parts.

To order parts, contact your Wallenstein dealer or distributor. Have the product model and serial number handy.

If your dealer is no longer available, please go to our website: WallensteinEquipment.com. At the bottom of the page, select Dealer Locator.

All information contained in this parts manual is current as per the revision date at the bottom of the page. Wallenstein reserves the right to change product specifications at any time without notice.

If your product specifications differ from those contained in this manual, contact Wallenstein for current information.

Reproduction of information in this parts manual is prohibited without prior written permission from Wallenstein Equipment Inc.

Wallenstein Equipment Inc. • © 2023

WARNING!

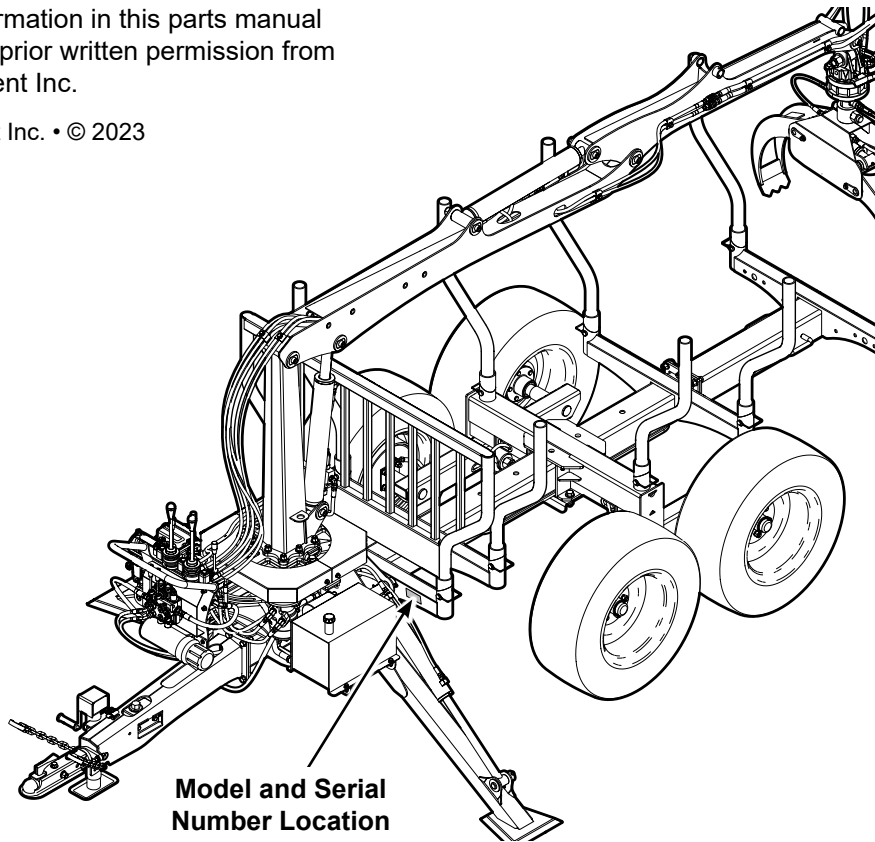
For safety, operation, and maintenance information, see the Operator's Manual.

Maintenance should be performed by trained personnel only.

Serial Number Location

Always provide the model and serial number of your Wallenstein product when ordering parts or requesting service or other information. The serial number is on the product information plate as shown below.

Record product information for future reference.

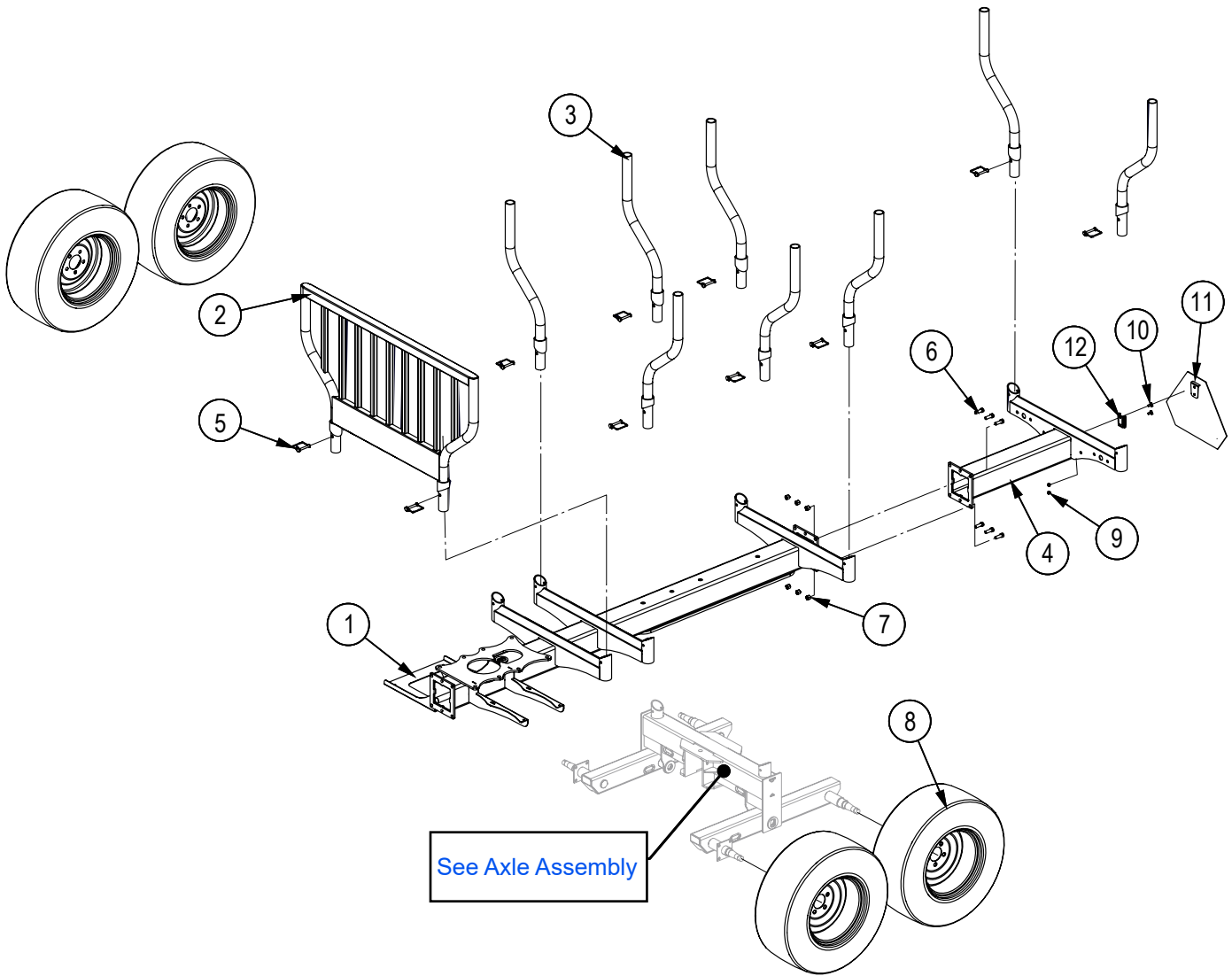


WallensteinEquipment.com.

Contents

Main Frame Assembly	4
Tandem Axle Assembly	5
Tongue Assembly	6
Brake Drum Assembly.....	8
Hydraulic Brake Assembly.....	9
Hydraulic Surge Brake Assembly	9
Hydraulic Sliding Axle Assembly	10
Hydraulic Sliding Axle Cylinder.....	11
Hydraulic Brakes and Sliding Axle Plumbing Diagram.....	12
Power Pack Hydraulic Circuit Diagram	13
Electrical Harness.....	14
Operator Control Panel	15
Stabilizer Assembly.....	16
Main Tower Rotate Housing.....	17
Main Tower	18
Main Boom	19
Dipper Boom	20
Grapple Assembly	21
Outer Fork Assembly.....	22
Power Pack.....	23
L1400 Hydraulic Winch Accessory	24
Hydraulic Winch Accessory Control.....	25
Hydraulic Accessory Winch Assembly.....	26
Winch Drum.....	27
Hydraulic Winch Accessory Top Cable	28
Main Boom Cylinder	29
Dipper Boom Cylinder.....	29
Stabilizer Cylinder	30
Grapple Cylinder.....	30
Hydraulic Circuit.....	32
Accessories.....	34
Decal Layout	36
Bolt Torque	39
Hydraulic Fitting Torque	40
Lug Nut Torque	40

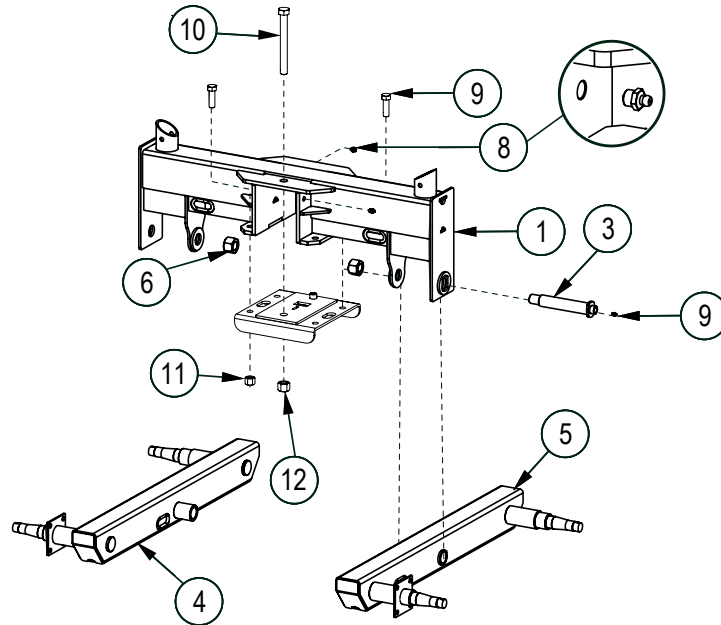
Main Frame Assembly



See Axle Assembly

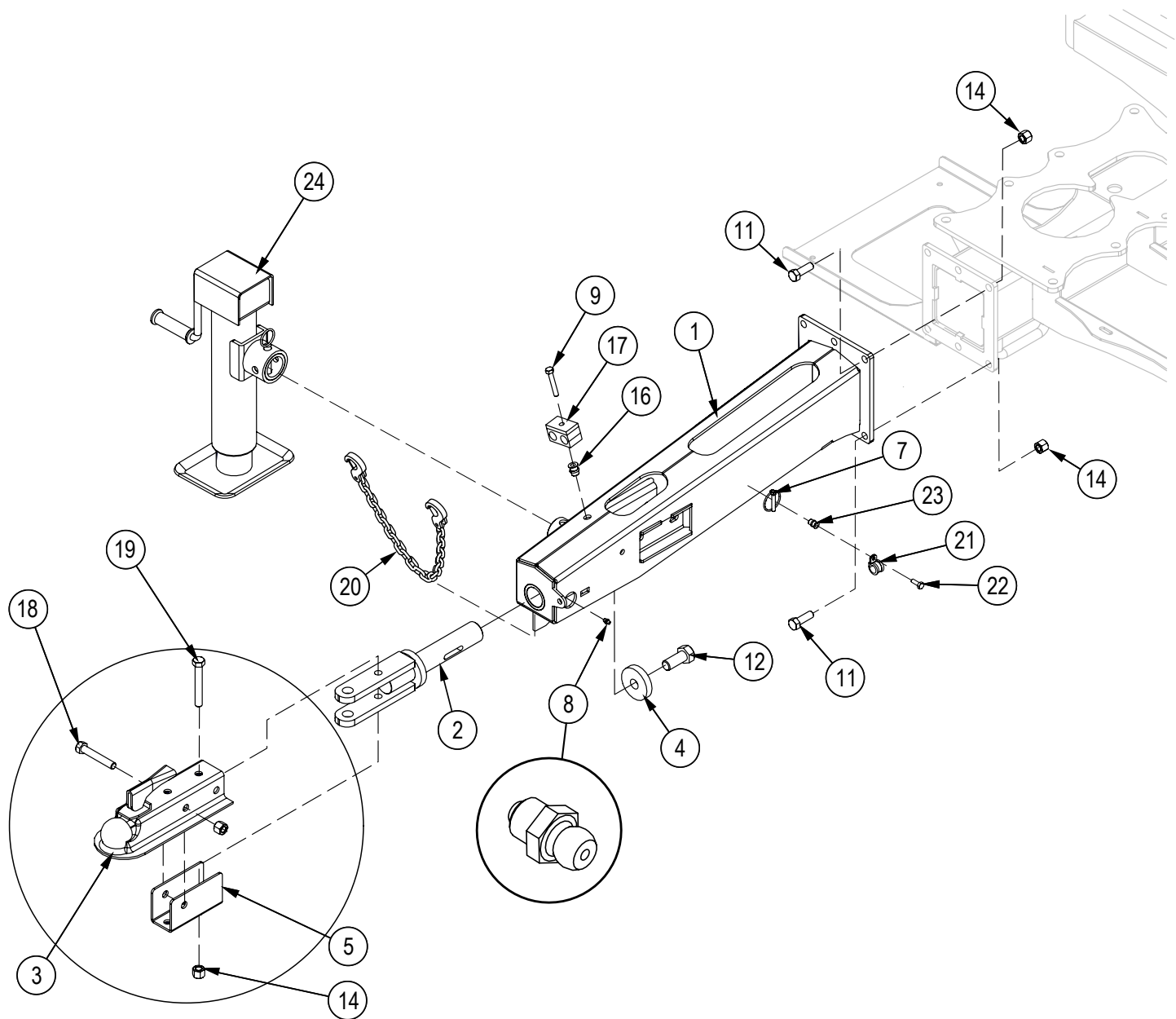
Item No.	Part No.	Description	Qty
1	6050W165	Main Frame	1
2	6050W167	Grill	1
3	6050W168	Bunk Post	8
4	6050W169	Trailer Extension	1
5	Z12432	Snap Lock Pin, 3/8" x 2-1/2"	10
6	Z71515	Hex Bolt, 1/2NC x 1-1/2"	6
7	Z72251	Hex Lock Nut, 1/2NC	6
8	Z91328	27x10.5-15 (TL) 8PR Multi-Trac 5on4-1/2"	4
9	Z72121	Hex Nut, 5/16NC	2
10	Z76221	Carriage Bolt, 5/16NC x 3/4"	2
11	Z96605	SMV Bracket	1
12	Z96603	SMV Socket	1

Tandem Axle Assembly



Item No.	Part No.	Description	Qty
1	6050W166	Axle	1
3	6050W157	Pin, Axle Main	2
4	6083W330	Axle, RH Rocker	1
5	6083W330H	Axle, LH Rocker	1
6	Z72292G8	Hex Lock Nut, 1-14NF G8	2
7	Z29201	Grease Fitting, MP02	2
8	Z29202	Grease Fitting, 1/4NF	2
9	Z71620	Hex Bolt, 5/8NC x 2"	4
10	Z71775	Hex Bolt, 3/4NC x 7-1/2"	1
11	Z72261	Hex Lock Nut, 5/8NC	4
12	Z72271	Hex Lock Nut, 3/4NC	1

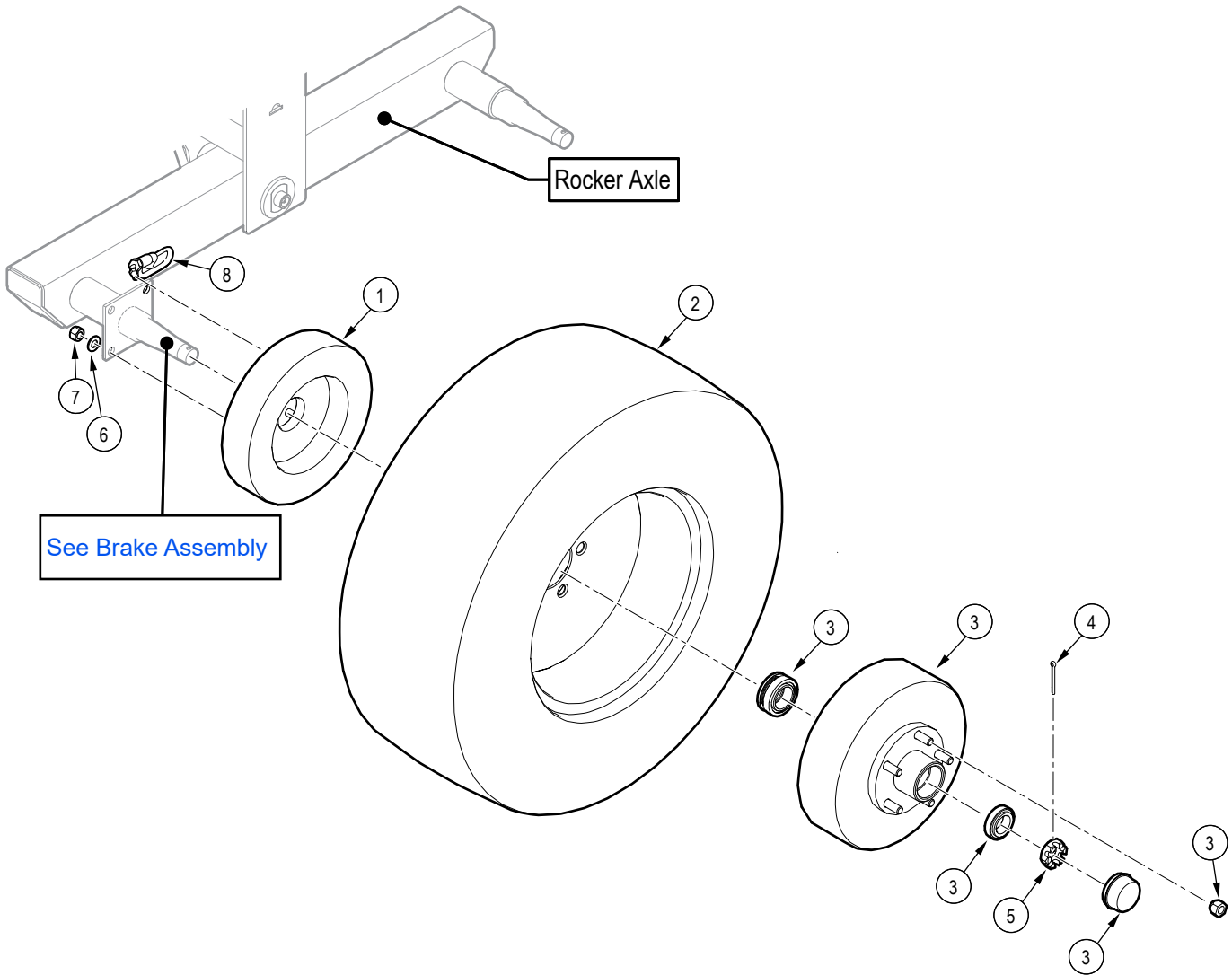
Tongue Assembly



Item No.	Part No.	Description	Qty
1	6050W170	Tongue	1
2	6050W155	Hitch	1
3	Z91614	Hitch Coupler, 2" Ball x 2" x 3500lbs	1
4	6050L627	Washer, Hitch Capture	1
5	6089L350	Ball Hitch Mount	1
7	Z12120	Lynch Pin, 1/4"	1
8	Z29202	Grease Fitting, 1/4NF	1
9	Z71220	Hex Bolt, 5/16NC x 2"	1
11	Z71515	Hex Bolt, 1/2NC x 1-1/2"	6
12	Z71784G8	Hex Bolt, 3/4NF x 1-3/4"	1

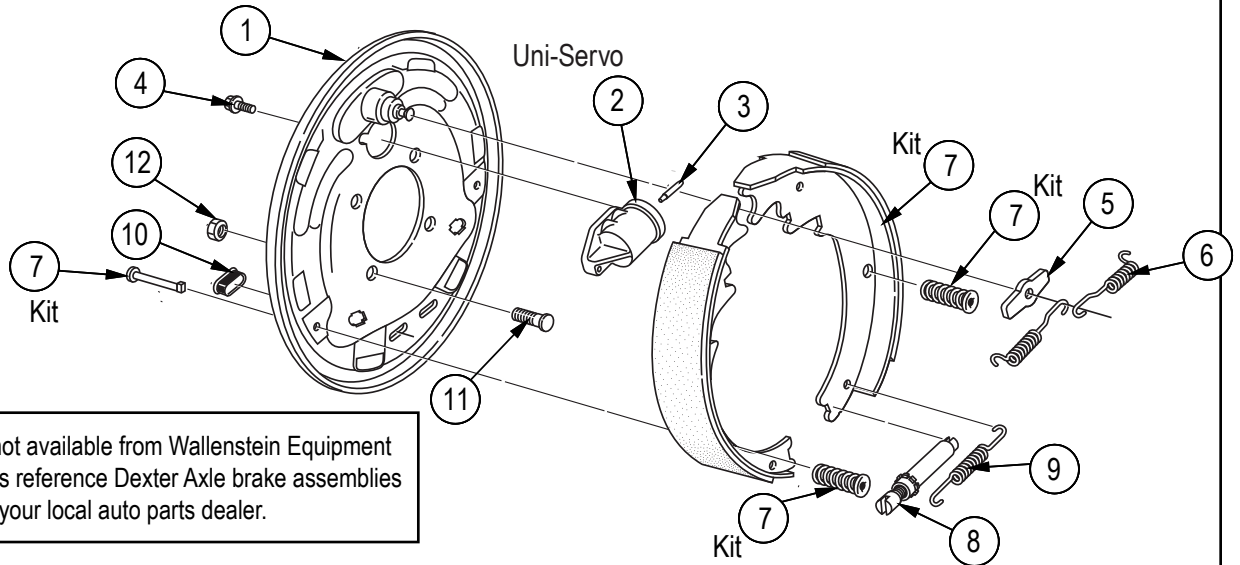
Item No.	Part No.	Description	Qty
14	Z72251	Hex Lock Nut, 1/2NC	9
16	Z72957	Rivet Nut, 5/16NC x 312	1
17	Z79463	Double Hose Clamp, 11/16" OD	1
18	Z71530	Hex Bolt, 1/2NC x 3"	1
19	Z71535	Hex Bolt, 1/2NC x 3-1/2"	2
20	Z92309	Safety Chain, 5/16" x 5ft	2
21	Z62819	Rubberized Wire Clamp, 1/2"	1
22	Z71107	Hex Bolt, 1/4NC x 3/4"	1
23	Z72962	Rivet Nut, 1/4NC x 260	1
24	Z91512	Trailer Jack, Side Wind x 2000lbs	1

Brake Drum Assembly



Item No.	Part No.	Description	Qty
1	Z91706	Hydraulic Brake, 10" x 2-1/4" x 1750lbs	4
2	Z91328	27x10.5-15 (TL) 8PR Multi-Trac 5on4-1/2"	4
3	Z91705	Brake Drum, 10" x 1750lbs 5 x 4-1/2" Complete Assembly	4
4	Z12321	Cotter Pin, 3/16" x 1-3/4"	4
5	Z72691	Castle Nut, 1NF x 9/16" Thick	4
6	Z72242	Hex Lock Nut, 7/16NF	16
7	Z73142G8	SAE Washer, 7/16" Grade 8	16
8	6083F303	1/4" Hose, MP04 x 45 Male Inverted Flare 02 x 34"	2

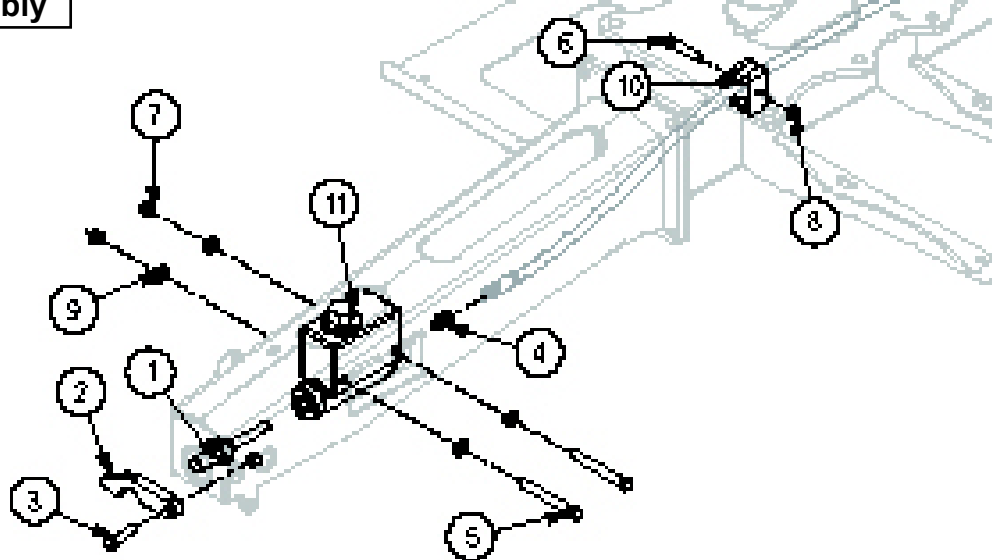
Hydraulic Brake Assembly



Note: Brake parts are not available from Wallenstein Equipment Inc. Brake part numbers reference Dexter Axle brake assemblies and are available from your local auto parts dealer.

Item No.	Part No.	Description	Qty	Item No.	Part No.	Description	Qty
	K23-312-00	LH Complete Brake Assembly-Uni Servo	1	7	K71-267-00	Shoe & Lining Kit Contains:	1
	K23-313-00	RH Complete Brake Assembly-Uni Servo (shown)	1		#040-210-00	Primary Shoe & Lining	1
1	036-094-03	Backing Plate Assembly (includes item #11)	1		#040-211-00	Secondary Shoe & Lining	1
2	054-064-00	LH Brake Cylinder Uni-Servo	1		#046-077-00	Shoe Hold Down Spring & Cup	2
2	054-065-00	RH Brake Cylinder Uni-Servo	1		#049-002-00	Shoe Hold Down Pin #8	2
3	054-060-00	Cylinder Push Rod	1	8	043-004-00	Adjuster Assembly	1
4	087-001-00	Sems (screw & washer assembly)	2	9	046-018-00	Adjusting Screw Spring	1
5	005-113-00	Anchor Post Washer	1	10	046-007-00	Adjuster Slot Plug	1
6	046-009-00	Retractor Spring	2	11	007-041-00	Brake Mounting Bolt - Press-in	4
				12	Z72242	Hex Lock Nut, 7/16NF	4
				not shown	054-089-00	Bleeder Screw (included with item #2)	1

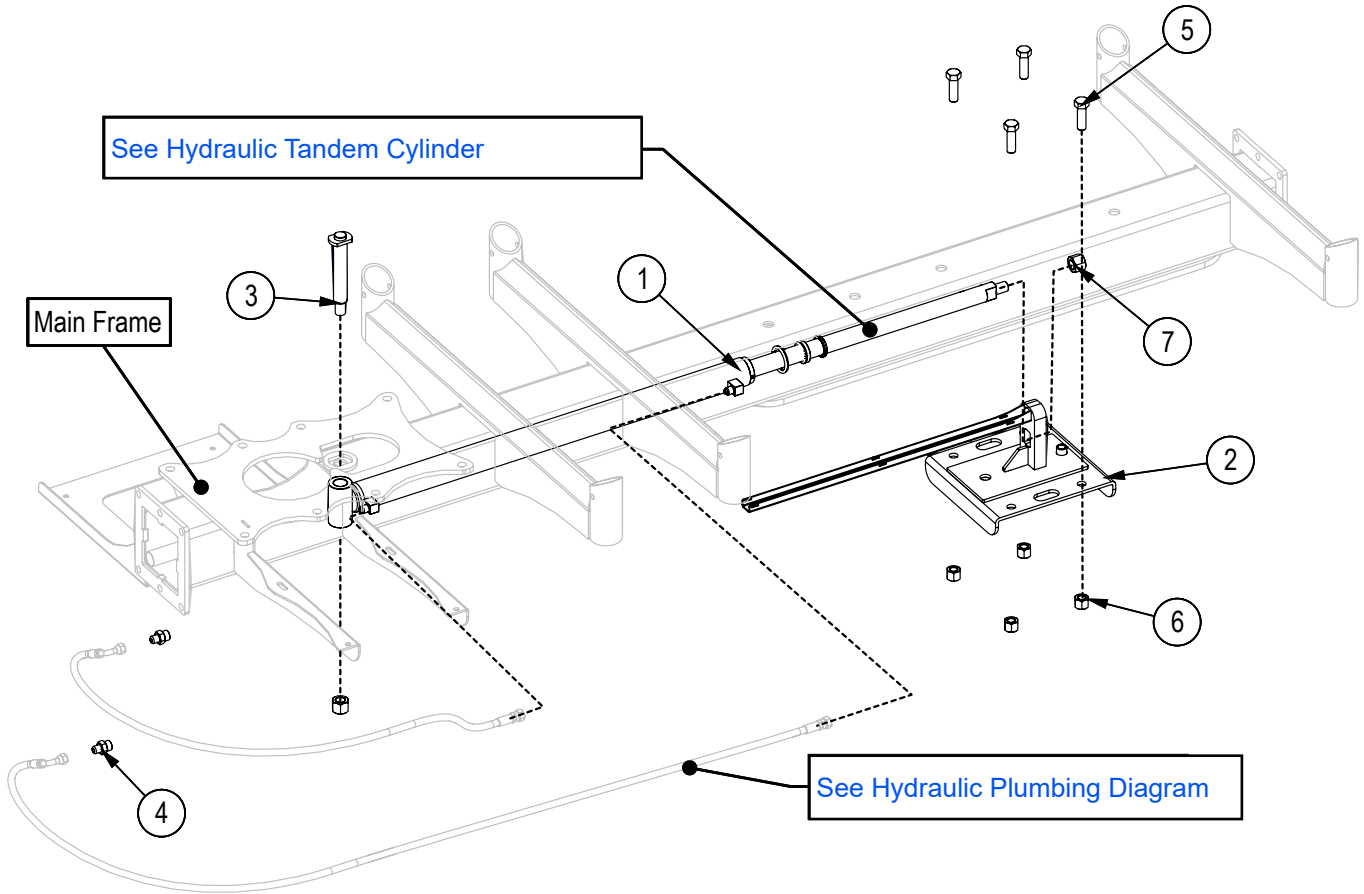
Hydraulic Surge Brake Assembly



Item No.	Part No.	Description	Qty
1	6050NP66	Brake Plunger	1
2	6050L631	Plate, Brake Plunger Stop	1
3	Z71015	Hex Bolt, 3/8NC x 1 1/2"	1
4	Z81015	Straight, MP x FP x 0202	1
5	Z71035	Hex Bolt, 3/8NC x 3 1/2"	2
6	Z71030	Hex Bolt, 5/16NC x 2"	1

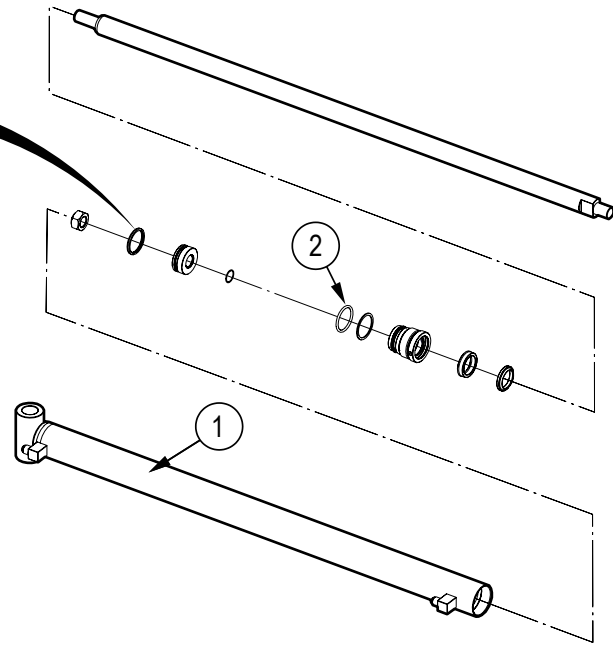
Item No.	Part No.	Description	Qty
7	Z72231	Hex Lock Nut, 3/8NC	3
8	Z72521	Serrated Flange Locknut, 5/16NC	1
9	Z73131	SAE Washer, 3/8"	4
10	Z79462	Double Hose Clamp, 1/2" OD	1
11	Z81709	Master Cylinder, 1 1/4" Bore	1

Hydraulic Sliding Axle Assembly



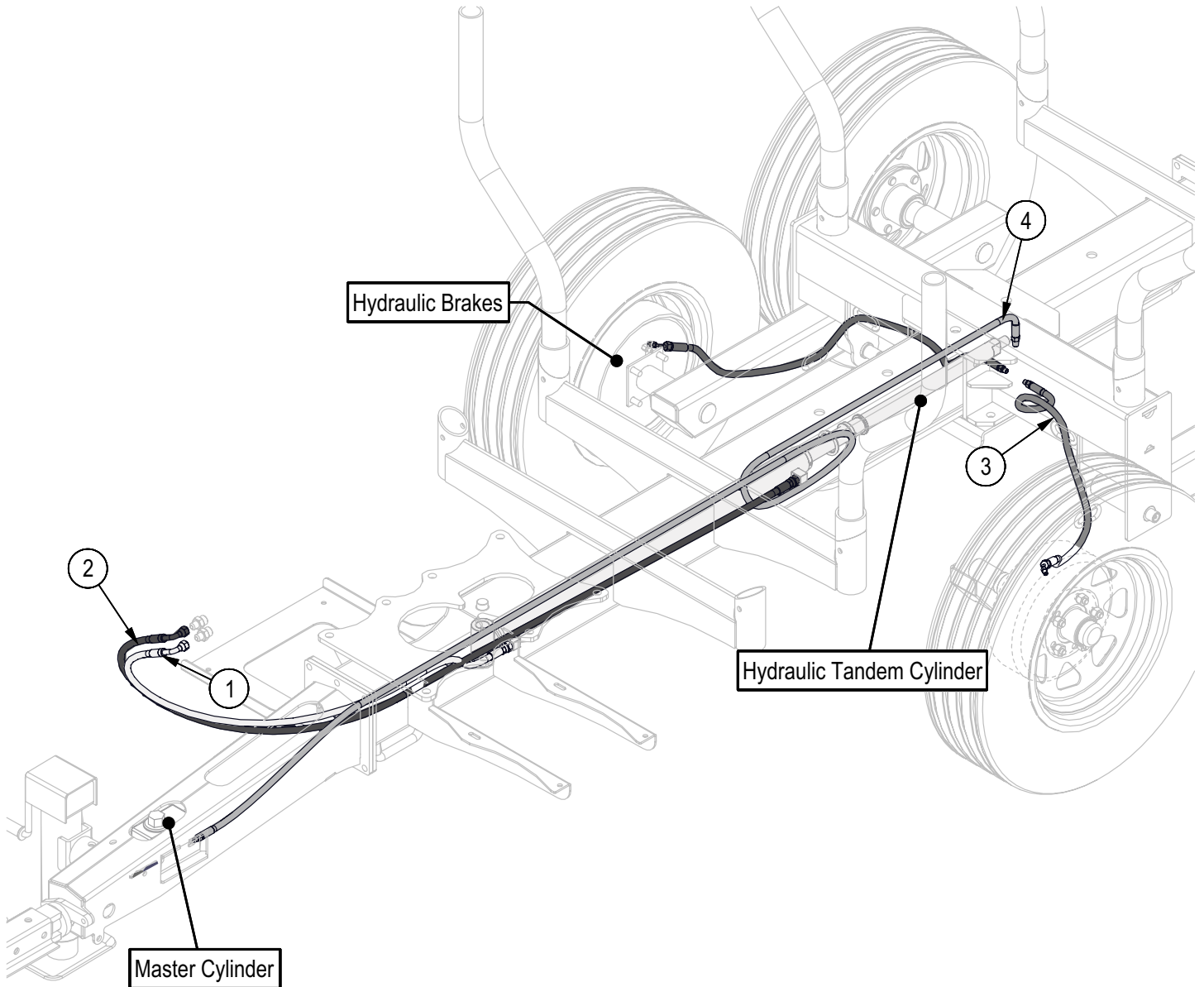
Item No.	Part No.	Description	Qty
1	6050C015	Cylinder, 1-3/4" x 1-1/4" x 29-1/2"	1
2	6083W320	Axle Capture, Hydraulic Tandem	1
3	6050W158	Pin, Axle Cylinder	1
4	Z51644	Straight, MJIC x MORB 0608	2
5	Z71620	Hex Bolt, 5/8NC x 2"	4
6	Z72261	Hex Lock Nut, 5/8NC	4
7	Z72272G8	Hex Lock Nut, 3/4NF G8	2

Hydraulic Sliding Axle Cylinder



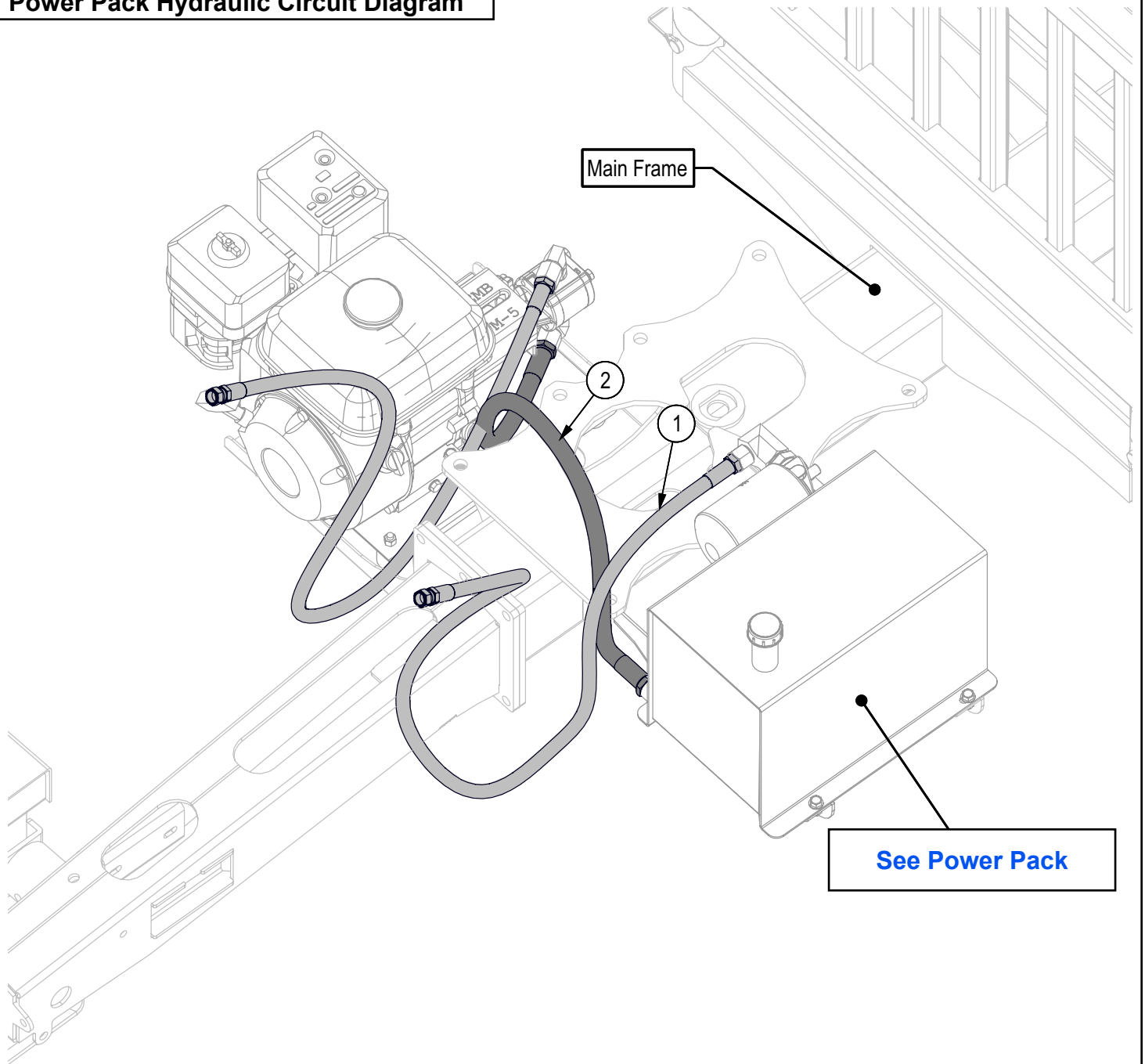
Item No.	Part No.	Description	Qty
1	6030C754	Cylinder, 2" x 1-1/4" x 13-5/8"e	1
2	SLK-2012	Seal Kit	1

Hydraulic Brakes and Sliding Axle Plumbing Diagram



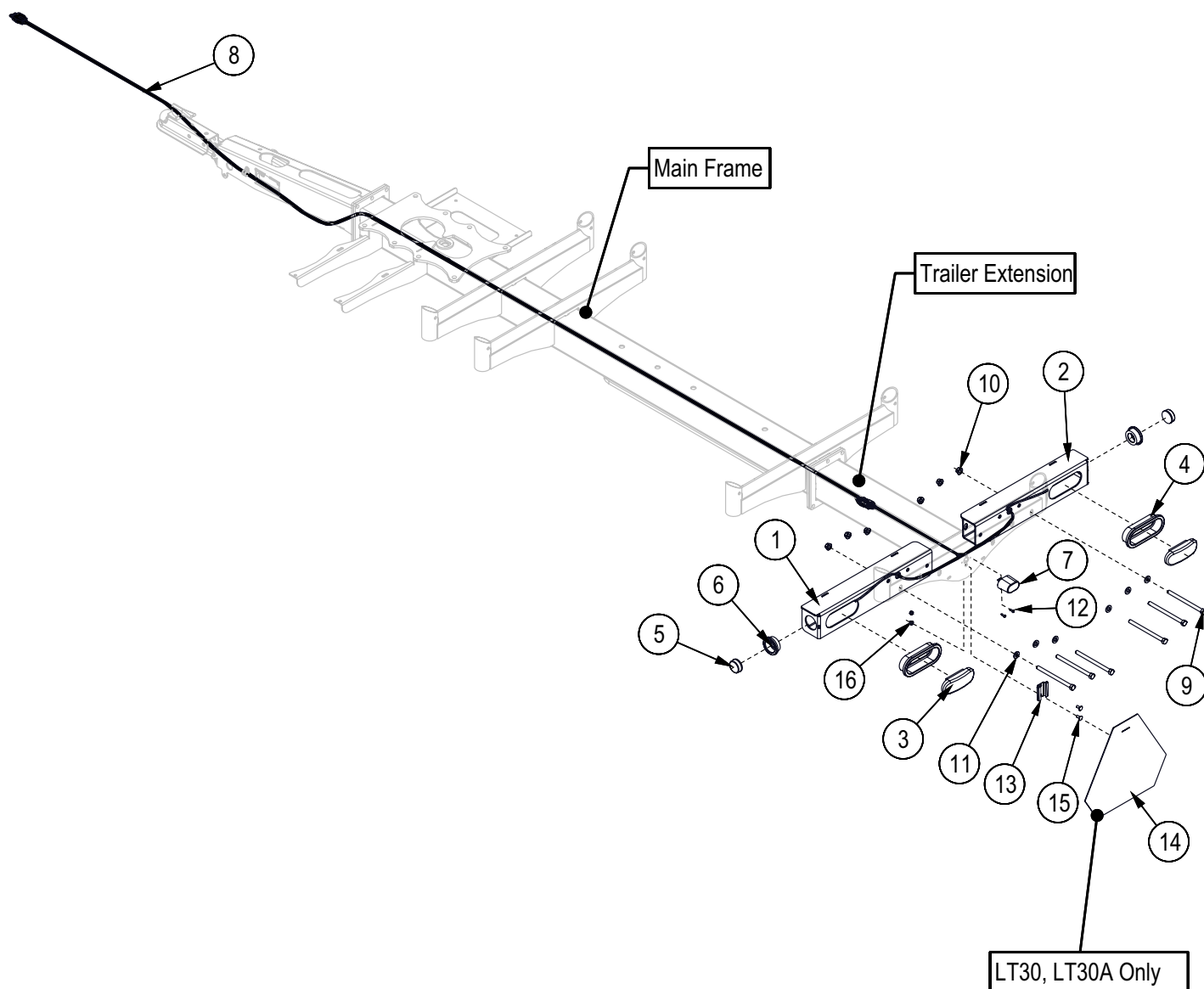
Item No.	Part No.	Description	Qty
1	6083F301	1/4" Hose, FJIC06 x 90FJIC06 x 45"	1
2	6083F302	1/4" Hose, FJIC06 x 90FJIC06 x 74"	1
3	6083F303	1/4" Hose, MP04 x 45 Male Inverted Flare 02 x 34"	2
4	6083F304	1/4" Hose, MP04 x MP02 x 116"	1

Power Pack Hydraulic Circuit Diagram



Item No.	Part No.	Description	Qty
1	Z52260	3/8" Hose, FJIC06 x MP08 x 48"	2
2	Z52347	1/2" Hose, MP08 x MP08 x 30"	1

Electrical Harness



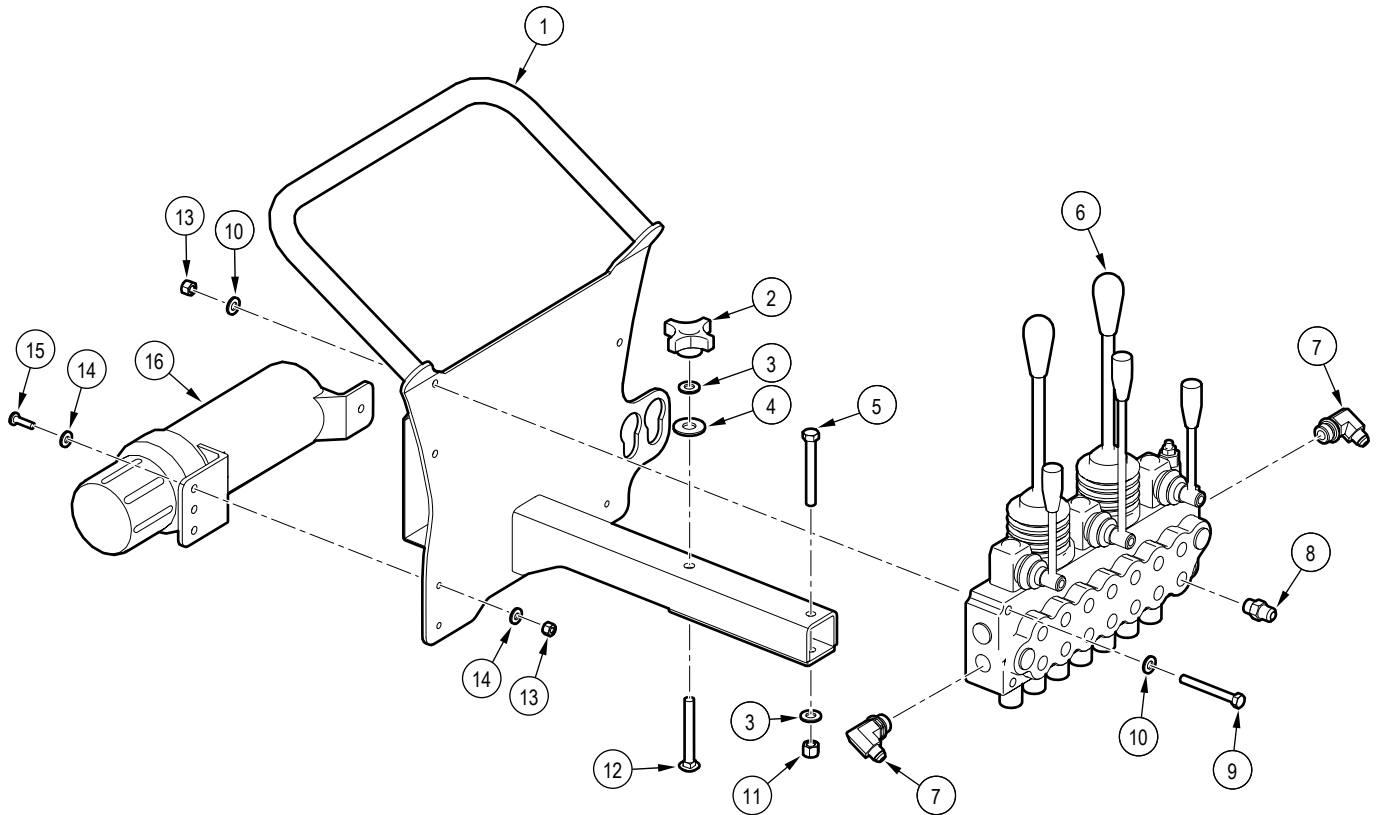
Item No.	Part No.	Description	Qty
1	6089W372	Light Bracket, LH	1
2	6089W372H	Light Bracket, RH	1
3	Z61102	STT Lamp, Oval	2
4	Z61103	Grommet, Oval x Open Back	2
5	Z61201	Marker Lamp, Round x Red	2
6	Z61202	Grommet, Round x Open Back	2
7	Z61301	License Lamp, White	1
8	6089F351	Harness, LT30 Lights	1
9	Z71568	Hex Bolt, 1/2NC x 7"	6
10	Z72551	Serrated Flange Locknut, 1/2NC	6
11	Z73151	SAE Washer, 1/2"	6
12	Z76712	Self-tapping Screw, #10 x 3/4"	2
13	Z96603	Socket, Slow Moving Vehicle	1
14	6050W163	SMV Bracket	1
15	Z76221	Carriage Bolt, 5/16NC x 3/4"	2
16	Z72121	Hex Nut, 5/16NC	2

IMPORTANT! When assembling or replacing wire harnesses, apply a thin coating of silicone dielectric grease to the harness connectors.

Clean off any corrosion or loose particles, then apply a small amount to the surfaces of the connectors where they meet. The grease helps to stop any possibility of future corrosion.

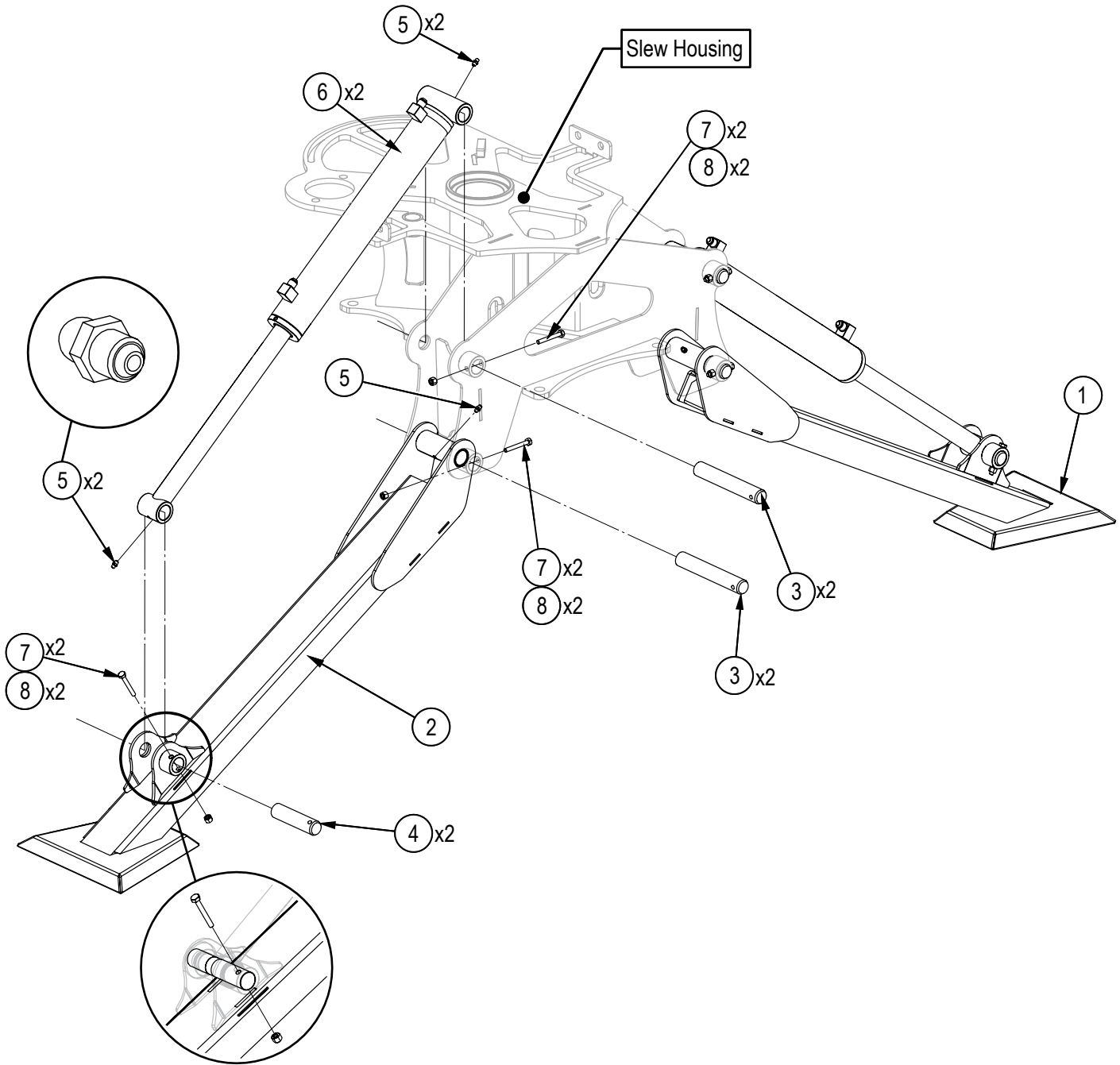
Reassemble the connection. If grease squeezes out, wipe off with a rag or towel.

Operator Control Panel



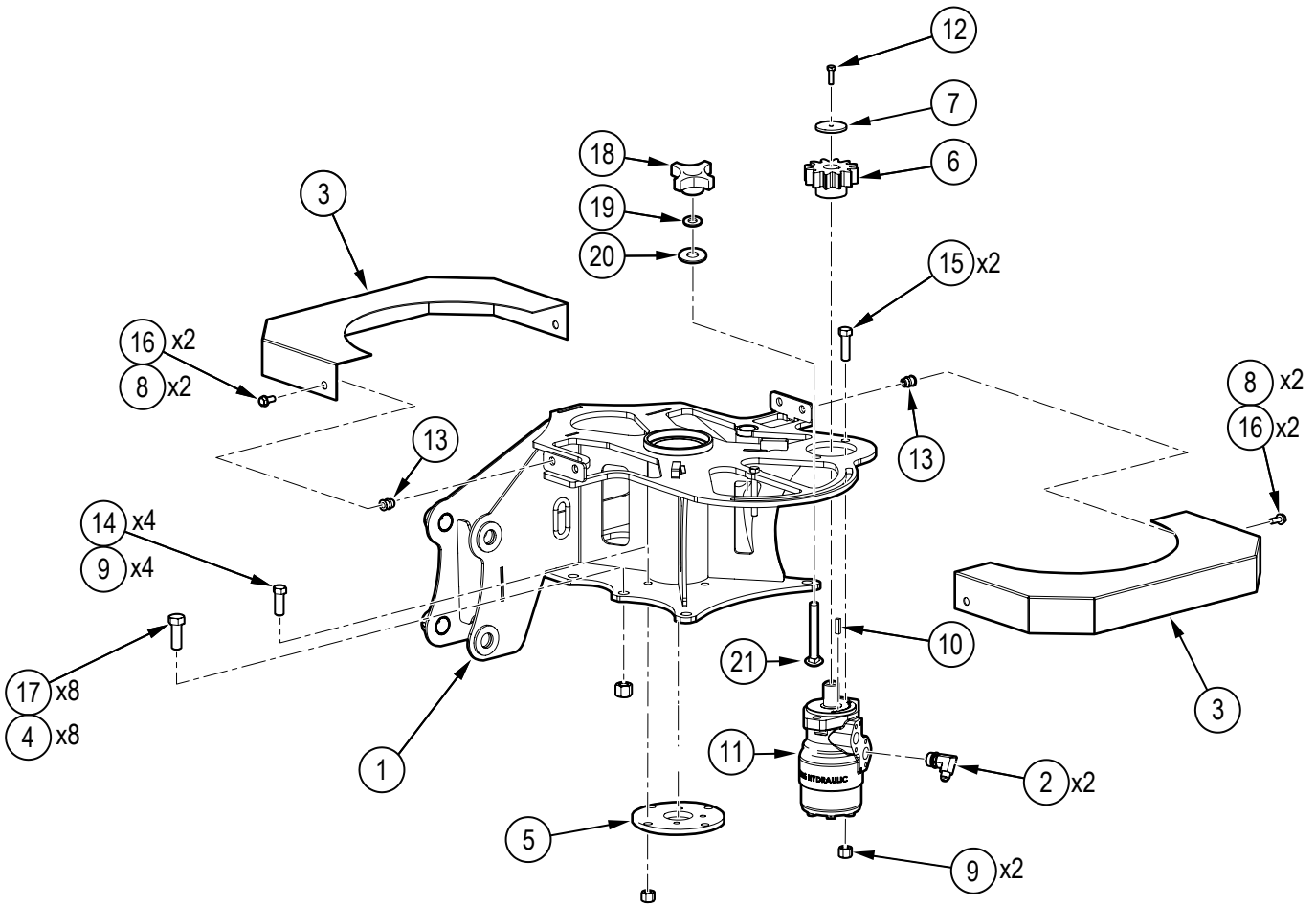
Item No.	Part No.	Description	Qty
1	6030W142	Console Arm	1
2	Z19315	Hand Knob, 3/8NC Female Thru	1
3	Z73131G8	SAE Washer, 3/8" Grade 8	2
4	Z73252	PTFE Washer, 1/2" x .101"	1
5	Z71330	Hex Bolt, 3/8NC x 3"	1
6	Z56206	Seven Spool Valve, VC x 12GPM	1
7	Z51655	Elbow 90, MJIC x MORB 0608	2
8	Z51641	Straight, MJIC x MORB 0606	14
9	Z71227	Hex Bolt, 5/16NC x 2-3/4"	3
10	Z73122G8	SAE Washer, 5/16" Grade 8	6
11	Z72231	Hex Lock Nut, 3/8NC	1
12	Z76238	Carriage Bolt, 3/8NC x 3"	1
13	Z72211	Hex Lock Nut, 1/4NC	6
14	Z73111G8	SAE Washer, 1/4" Grade 8	6
15	Z78318	Machine Screw, 1/4NC x 7/8"	3
16	Z96503	Manual Tube, 3-1/2" Short	1

Stabilizer Assembly



Item No.	Part No.	Description	Qty
1	6030W130	Stabilizer Arm - LH	1
2	6030W130H	Stabilizer Arm - RH	1
3	6030M488	Pin, Stabilizer Short	4
4	6030M489	Pin, Stabilizer Lift	2
5	Z29202	Grease Fitting, 1/4NF	6
6	6030C754	Cylinder, 2" x 1-1/4" x 13-5/8"	2
7	Z71120	Hex Bolt, 1/4NC x 2"	6
8	Z72211	Hex Lock Nut, 1/4NC	6

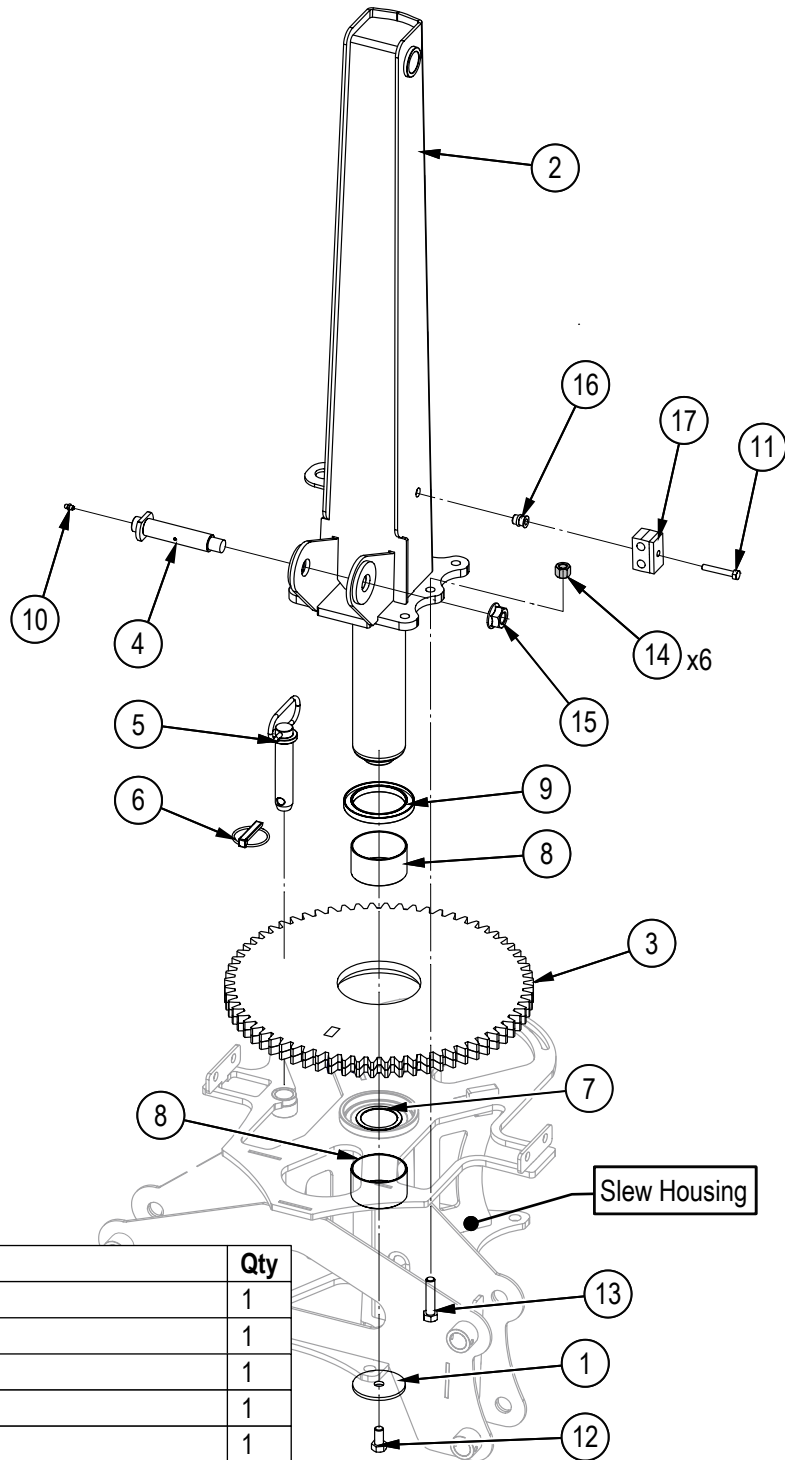
Main Tower Rotate Housing



Item No.	Part No.	Description	Qty
1	6030W101	Slew Housing	1
2	Z51656	Elbow 90, MJIC x MORB 0610	2
3	6030L471	Cover, Slew Sprocket	2
4	Z72261	Hex Lock Nut, 5/8NC	8
5	6030L467	Washer, Boom Rest	1
6	6031M653	Gear, Motor -Small	1
7	6032L592	Washer, Sprocket Capture	1
8	Z72957	Rivet Nut, 5/16NC x 312	4
9	Z72251	Hex Lock Nut, 1/2NC	6
10	Z46533	Key, 1/4" x 1/4" x 1"	1
11	Z54104	Hydraulic Motor, 315CCR	1

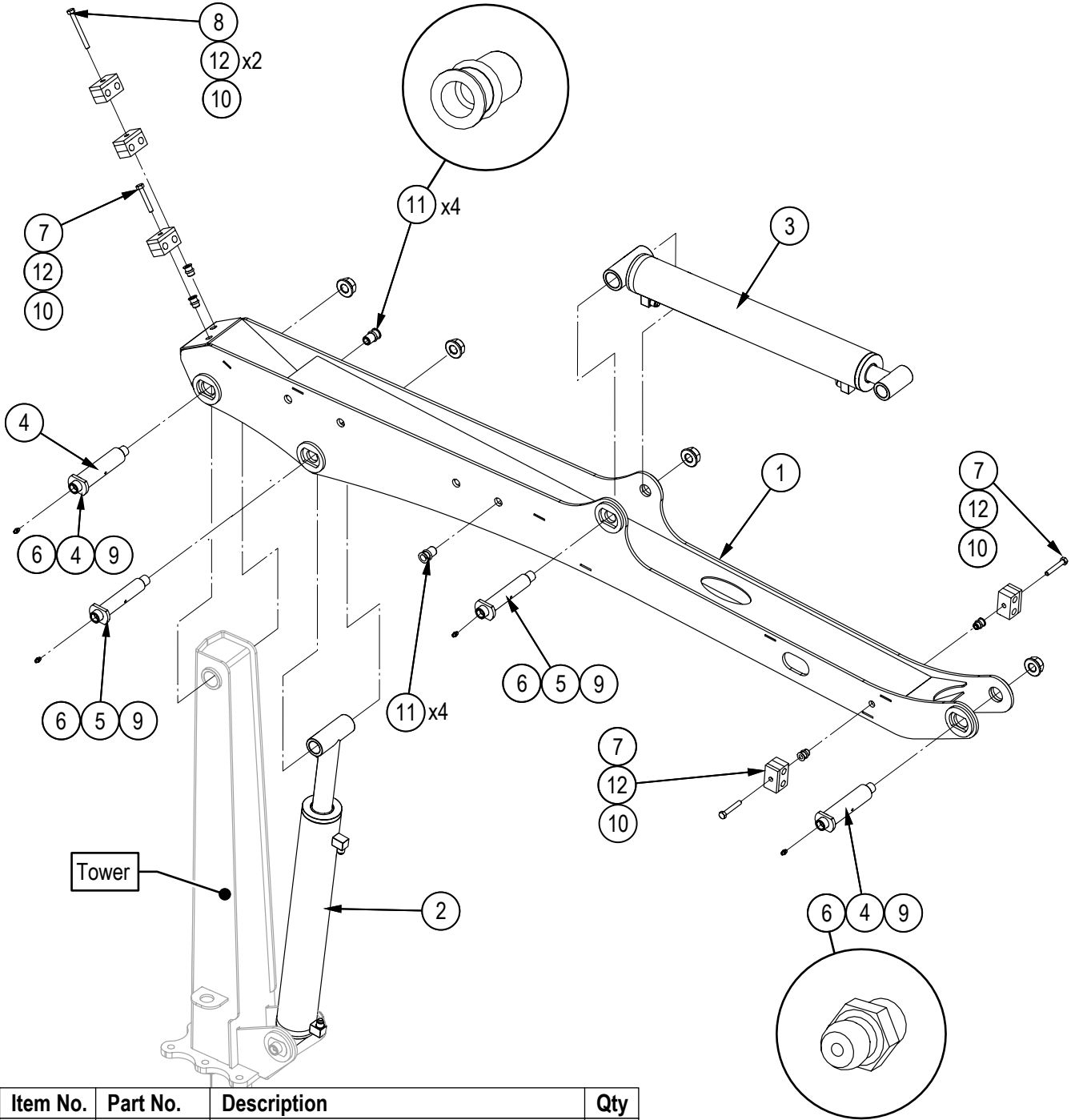
Item No.	Part No.	Description	Qty
12	Z71110	Hex Bolt, 1/4NC x 1"	1
13	Z72957	Rivet Nut, 5/16NC x 312	4
14	Z71515	Hex Bolt, 1/2NC x 1-1/2"	4
15	Z71517	Hex Bolt, 1/2NC x 1-3/4"	2
16	Z76121	Flange Bolt, 5/16NC x 3/4"	4
17	Z71617	Hex Bolt, 5/8NC x 1-3/4"	8
18	Z19315	Hand Knob, 3/8NC Female	1
19	Z73131G8	SAE Washer, 3/8" Grade 8	1
20	Z73252	PTFE Washer, 1/2" x .101"	1
21	Z76238	Carriage Bolt, 3/8NC x 3"	1

Main Tower



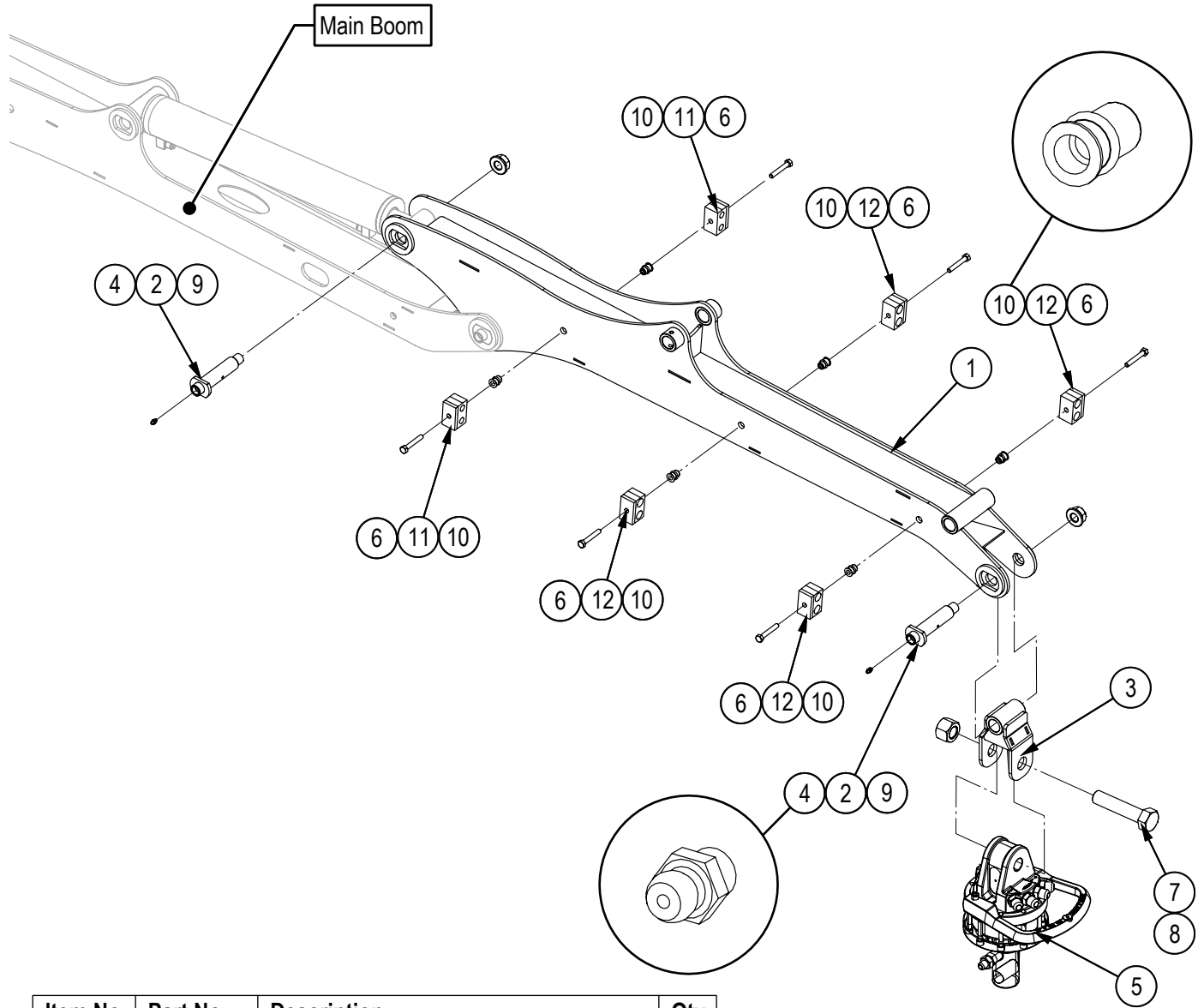
Item No.	Part No.	Descriptio	Qty
1	6030L468	Washer, Main Boom	1
2	6030W102	Main Tower	1
3	6030W131	68th Slew Gear	1
4	6030W141	Pin, Boom Cylinder	1
5	Z11264	Hitch Pin, 1" x 3-3/4" MOD	1
6	Z12140	Lynch Pin, 7/16"	1
7	Z22402	Fiberglide Thrust Bearing, 2.072" ID x 2.615" OD x 0.058"	1
8	Z27105	Fiberglide Bearing, 3" ID x 1-3/4" long x 3/32" wall	2
9	Z28205	Single Lip Seal, 3"	1
10	Z29202	Grease Fitting, 1/4NF	1
11	Z71220	Hex Bolt, 5/16NC x 2"	1
12	Z71510	Hex Bolt, 1/2NC x 1"	1
13	Z71522	Hex Bolt, 1/2NC x 2-1/4"	8
14	Z72251	Hex Lock Nut, 1/2NC	8
15	Z72571	Serrated Flange Locknut, 3/4NF Top Lock	1
16	Z72957	Rivet Nut, 5/16NC x 312	1
17	Z79462	Double Hose Clamp, 1/2" OD	1

Main Boom



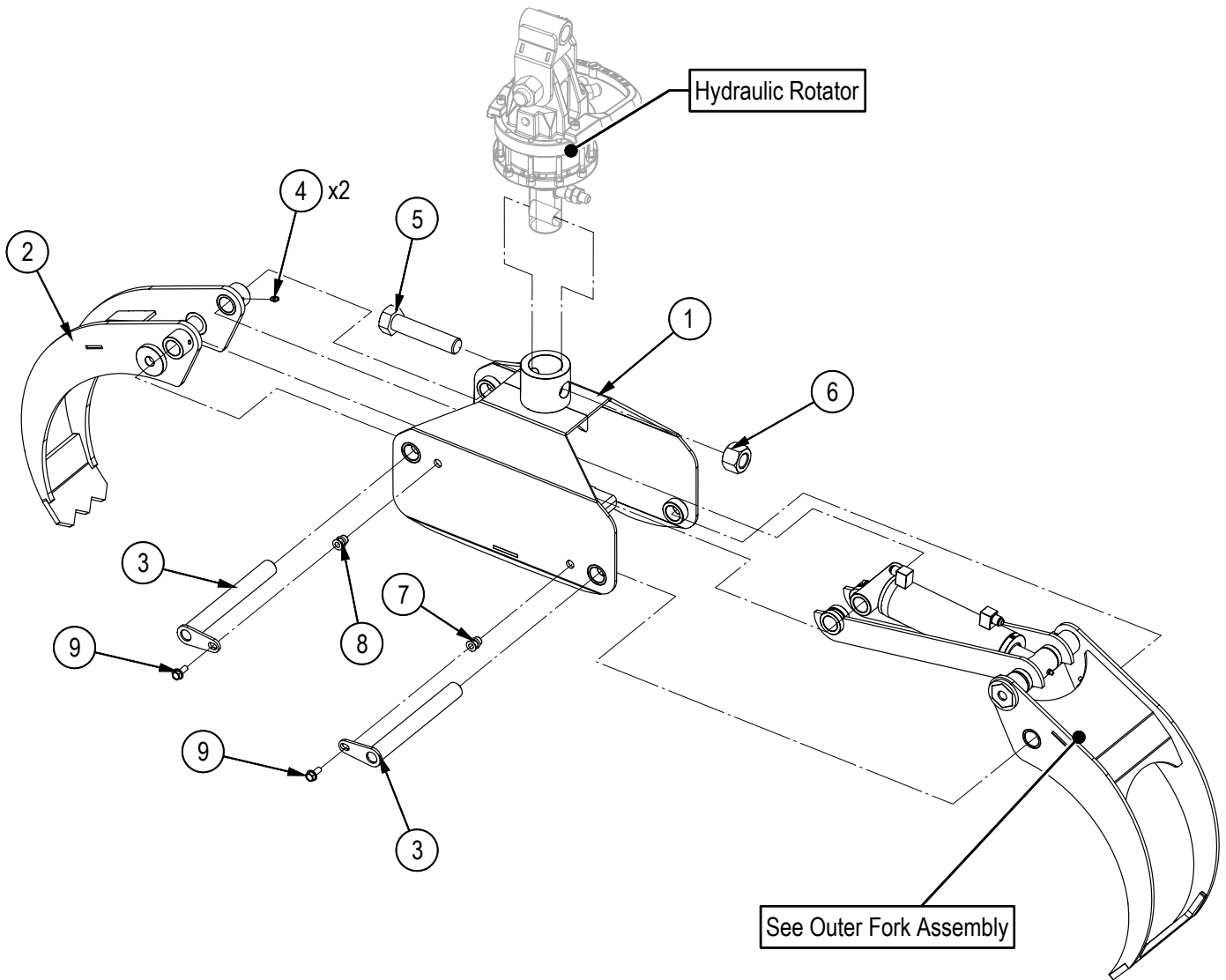
Item No.	Part No.	Description	Qty
1	6030W103	Main Boom	1
2	6030C363	Cylinder, 2-1/2" x 1-1/2" x 16-3/4"	1
3	6030C750	Cylinder, 2-1/2" x 1-1/4" x 17-3/4"	1
4	6030W133	Pin, Main Pivot	2
5	6030W134	Pin, Cylinder	2
6	Z29202	Grease Fitting, 1/4NF	4
7	Z71220	Hex Bolt, 5/16NC x 2"	3
8	Z71230	Hex Bolt, 5/16NC x 3"	1
9	Z72571	Serrated Flange Locknut, 3/4NF Top Lock	4
10	Z72957	Rivet Nut, 5/16NC x 312	4
11	Z72961	Rivet Nut, 1/2NC x 350	8
12	Z79462	Double Hose Clamp, 1/2" OD	5

Dipper Boom



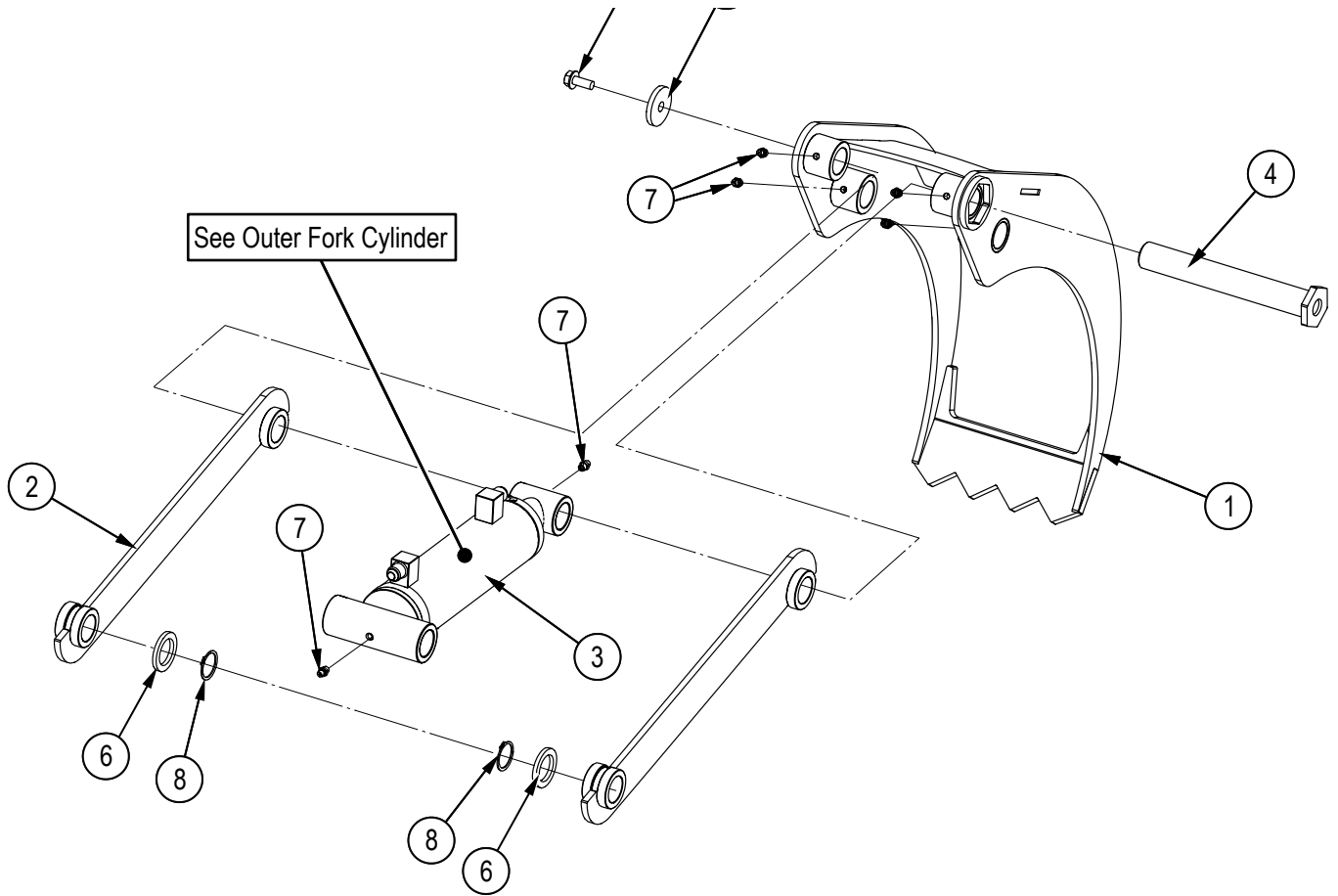
Item No.	Part No.	Description	Qty
1	6030W104	Dipper Boom	1
2	6030W135	Pin, Dipper	2
3	6030W136	Grapple Knuckle	1
4	Z29202	Grease Fitting, 1/4NF	2
5	Z54107	Hydraulic Rotator, CR300W	1
6	Z71220	Hex Bolt, 5/16NC x 2"	6
7	Z71911	Hex Bolt, 1NC x 4-1/2"	1
8	Z72291	Hex Lock Nut, 1NC	1
9	Z72571	Serrated Flange Locknut, 3/4NF Top Lock	2
10	Z72957	Rivet Nut, 5/16NC x 312	6
11	Z79462	Double Hose Clamp, 1/2" OD	2
12	Z79463	Double Hose Clamp, 11/16" OD	4

Grapple Assembly



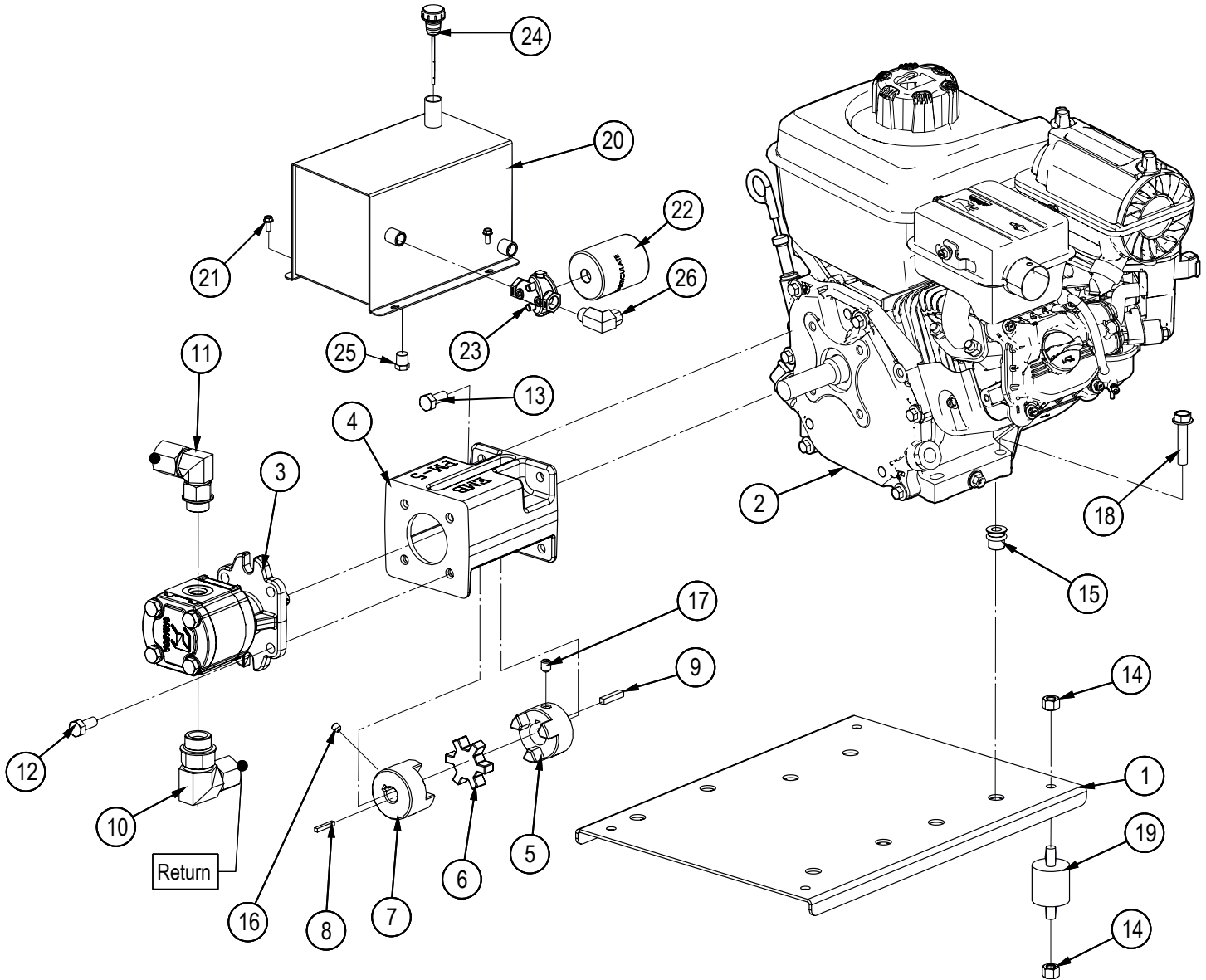
Item No.	Part No.	Description	Qty
1	6014W100	Frame, Main Grapple	1
2	6014W101	Arm, Inside Grapple	1
3	6014W104	Pin, Cylinder Linkage	2
4	Z29202	Grease Fitting, 1/4NF	2
5	Z71911	Hex Bolt, 1NC x 4-1/2"	1
6	Z72291	Hex Lock Nut, 1NC	1
7	Z72951	Rivet Nut, 5/16NC x 312	1
8	Z72957	Rivet Nut, 5/16NC x 312	1
9	Z76121	Flange Bolt, 5/16NC x 3/4"	2

Outer Fork Assembly



Item No.	Part No.	Description	Qty
1	6014W102	Arm, Outside Grapple	1
2	6014W103	Arm, Linkage	2
3	6014C401	Cylinder, 2" 1-1/4" x 4-11/16"	1
4	6014W105	Pin, Inside Linkage	1
5	6014L121	Washer, Capture	1
6	6014L133	Washer	2
7	Z29202	Grease Fitting, 1/4NF	6
8	Z46204	External Retaining Ring, 1"	2
9	Z76121	Flange Bolt, 5/16NC x 3/4"	1

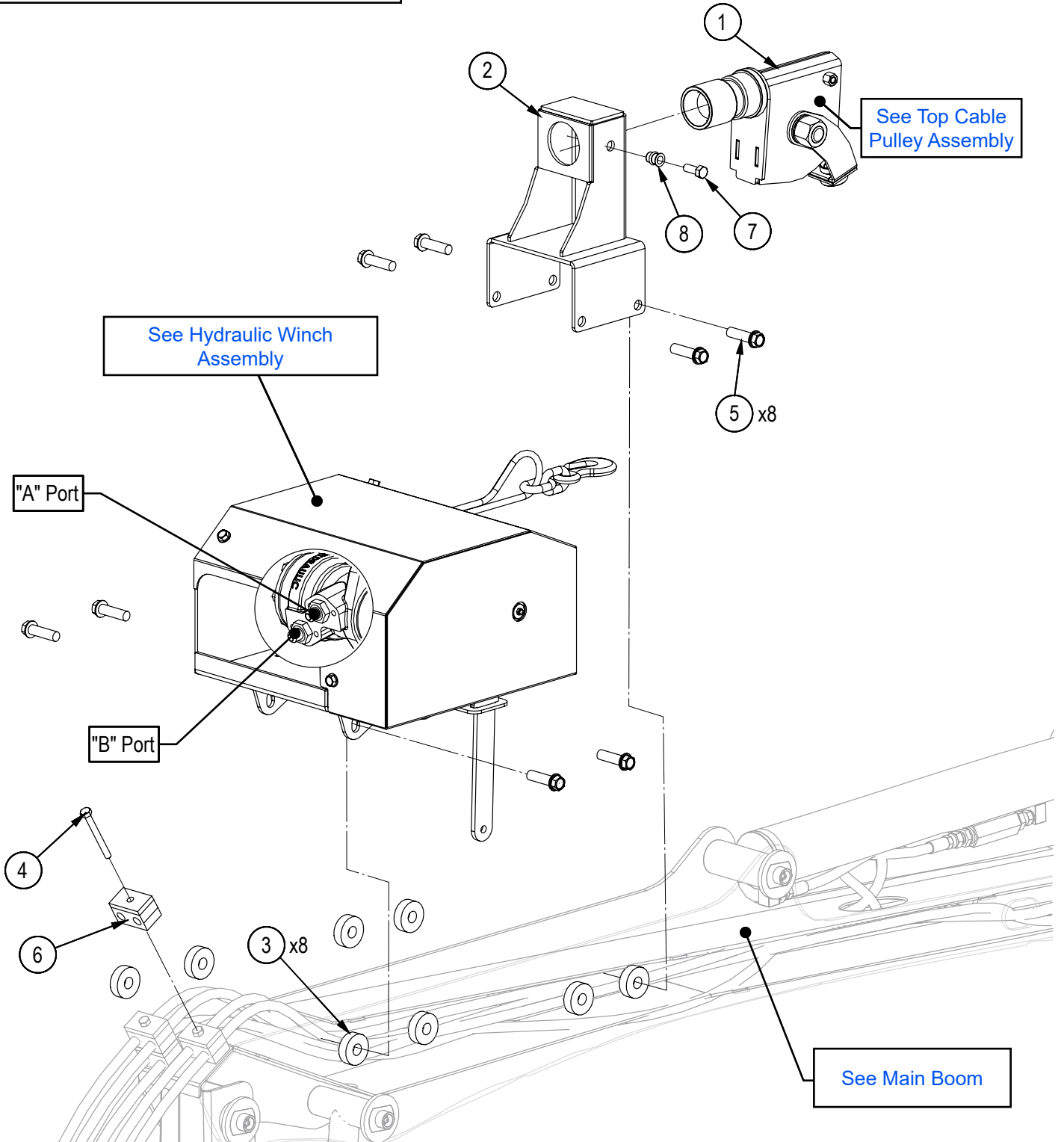
Power Pack



Item No.	Part No.	Description	Qty
1	6081L205	Plate, Engine Mount	1
2	Z47752	Vanguard 6.5 hp (203 cc)	1
3	Z53103	Gear Pump, Series 10 x 0.13CIR	1
4	Z53801	Pump Mount, PM-5	1
5	Z46406	Shaft Coupler, L075 x 3/4"	1
6	Z46408	Spider, L075	1
7	Z46410	Shaft Coupling, L075 x 1/2"	1
8	Z46511	Key, 1/8" x 1/8" x 7/8"	1
9	Z46522	Key, 3/16" x 3/16" x 1"	1
10	Z51383	Elbow 90, MORB x FPX 0808	1
11	Z51385	Elbow 90, MORB x FPX 0608	1
12	Z71207	Hex Bolt, 5/16NC x 3/4"	4
13	Z71273	Hex Bolt, 5/16NF x 3/4"	4

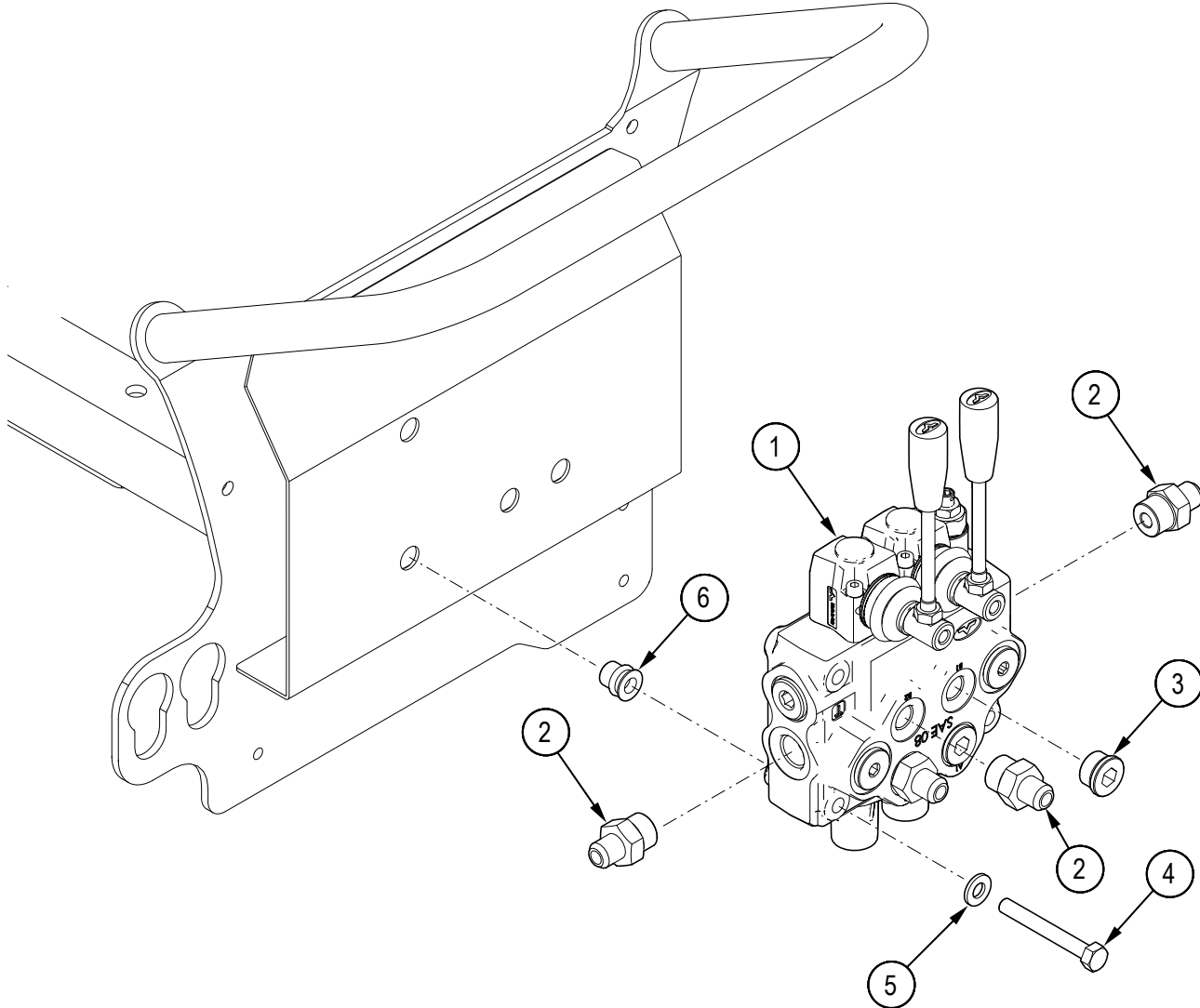
Item No.	Part No.	Description	Qty
14	Z72221	Hex Lock Nut, 5/16NC	8
15	Z72956	Rivet Nut, 5/16NC x 150	4
16	Z74111	Set Screw, 1/4NC x 1/4"	1
17	Z74121	Set Screw, 5/16NC x 3/8"	1
18	Z76123	Flange Bolt, 5/16NC x 1-1/2"	4
19	Z76121	Flange Bolt, 5/16NC x 3/4"	4
20	6081W301	Tank	1
21	Z79931	Isolator, 1-1/4" Dia x 1-1/4" x 5/16NC	4
22	Z55301	Particulate Filter, FP12	1
23	Z55302	Filter Cap, MP12 x FP12	1
24	Z55402	Vented Plug Dipstick x 5"	1
25	Z51191	Hex Plug, MP 08	1
26	Z51334	Elbow 90, MP x FPX 1208	1

L1400 Hydraulic Winch Accessory



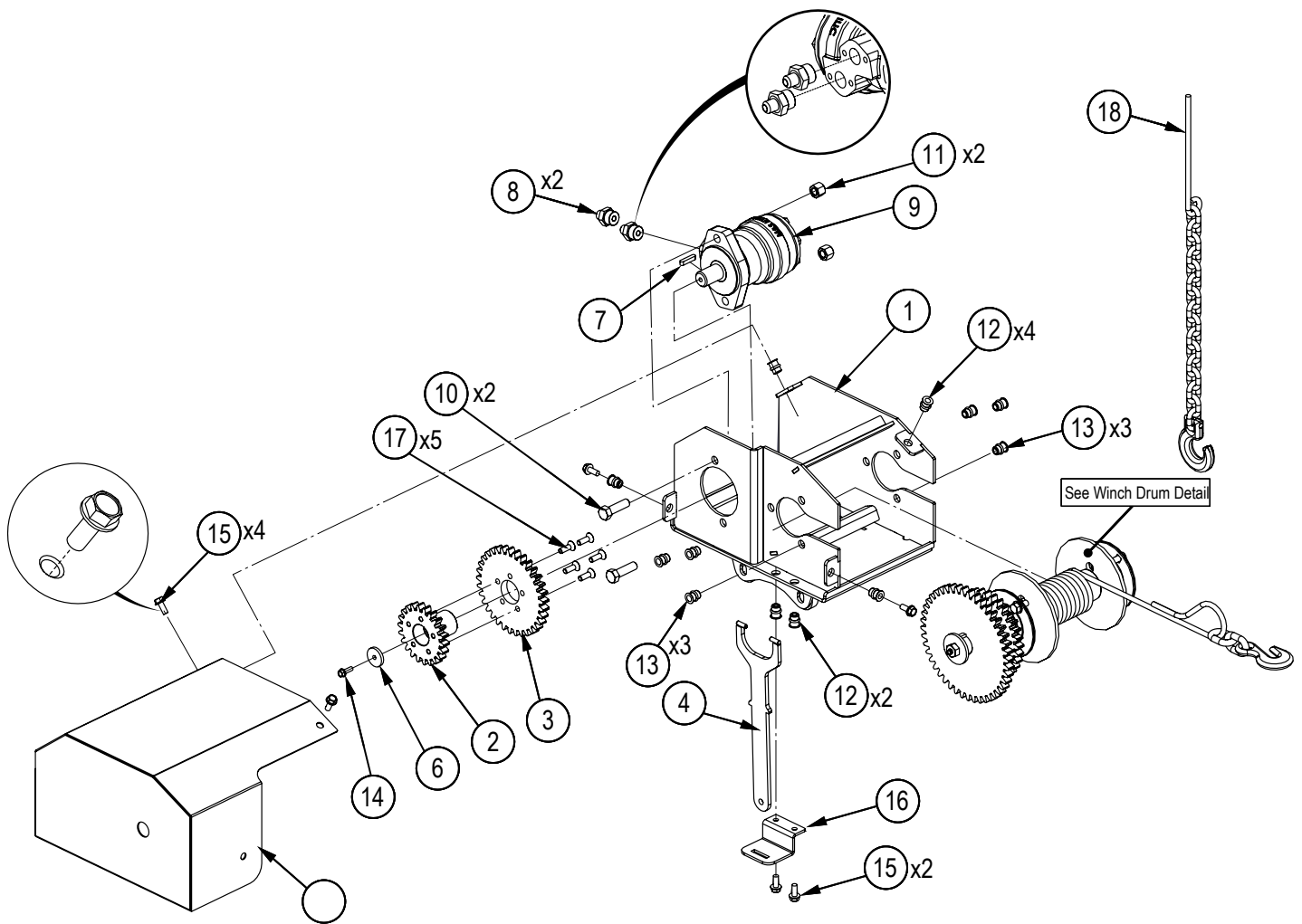
Item No.	Part No.	Description	Qty
1	6083A201	Top Cable Pulley	1
2	6083W200	Fairlead Mount	1
3	6083L211	Washer, Winch Mount	8
4	Z71230	Hex Bolt, 5/16NC x 3"	1
5	Z76155	Flange Bolt, 1/2NC x 1-3/4"	8
6	Z79462	Double Hose Clamp, 1/2" OD	1
7	Z71310	Hex Bolt, 3/8NC x 1"	1
8	Z72959	Rivet Nut, 3/8NC x 312	1

Hydraulic Winch Accessory Control



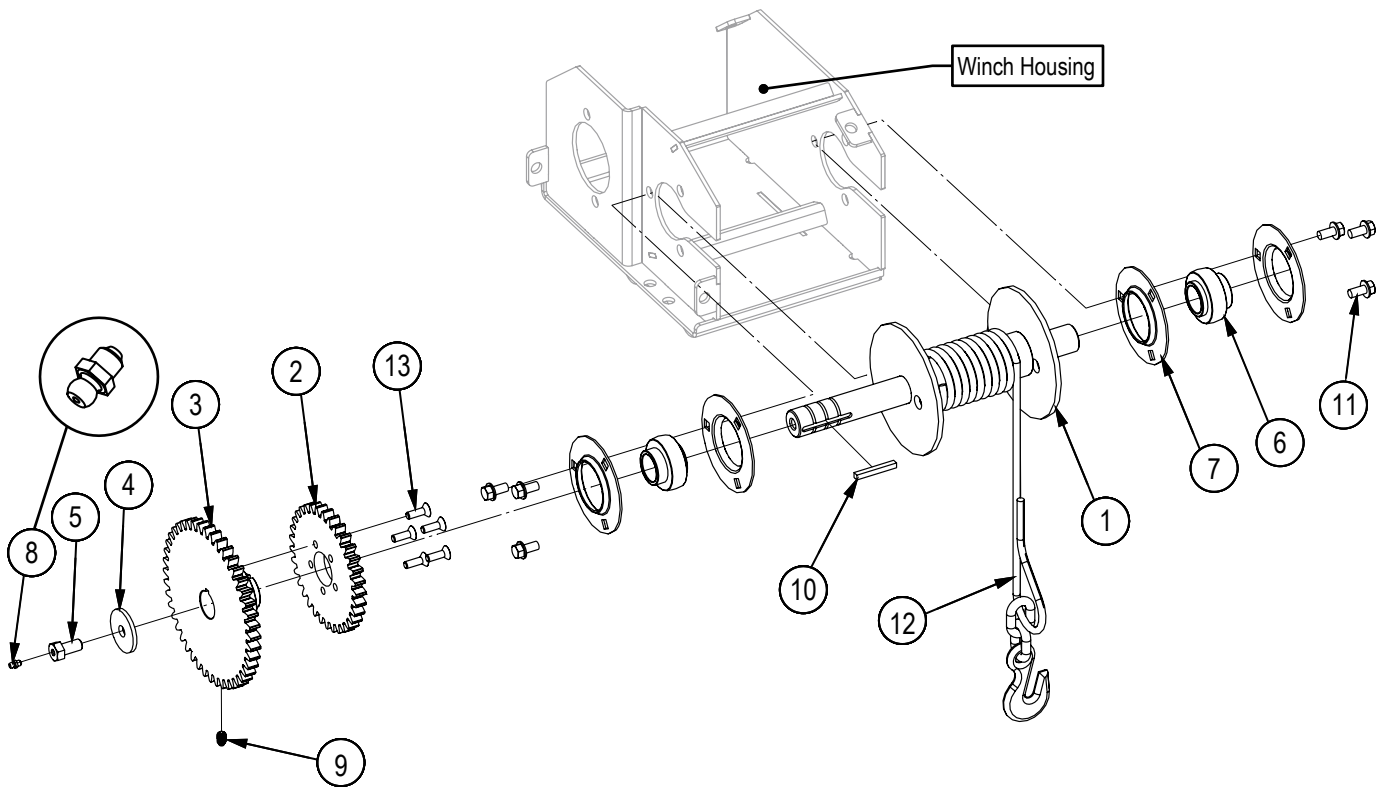
Item No.	Part No.	Description	Qty
1	Z56219	Two Spool Valve, VC x 12GPM	1
2	Z51644	Straight, MJIC x MORB 0608	3
3	Z51693	Socket Plug, MORB 08	2
4	Z71225	Hex Bolt, 5/16NC x 2-1/2"	3
5	Z73122G8	SAE Washer, 5/16" Grade 8	3
6	Z72956	Rivet Nut, 5/16NC x 150	3

Hydraulic Accessory Winch Assembly



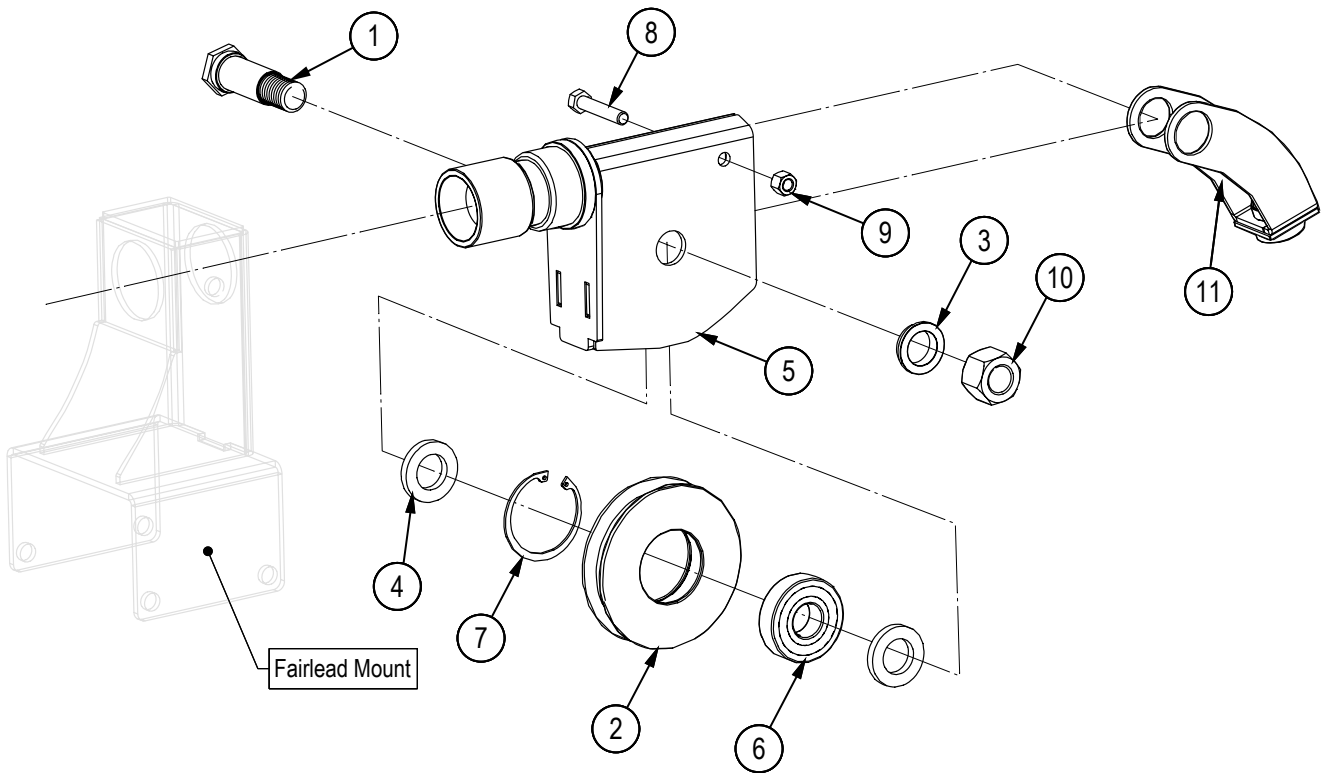
Item No.	Part No.	Description	Qty
1	6083W215	Housing, Winch	1
2	6083M255	Gear, Low Drive	1
3	6083M256	Gear, High	1
4	6083W207	Clutch Lever	1
5	6083W203	Shield	1
6	6083L293	Washer, Motor Shaft	1
7	Z46594	Blind Chipper Key, 1/4" x 1/4" x 1-1/4"	1
8	Z51645	Straight, MJIC x MORB 0610	2
9	Z54108	Hydraulic Motor, 50CCR	1
10	Z71517	Hex Bolt, 1/2NC x 1-3/4"	2
11	Z72251	Hex Lock Nut, 1/2NC	2
12	Z72957	Rivet Nut, 5/16NC x 312	6
13	Z72959	Rivet Nut, 3/8NC x 312	6
14	Z76111	Flange Bolt, 1/4NC x 3/4"	1
15	Z76121	Flange Bolt, 5/16NC x 3/4"	6
16	6083L215	Lever Bracket	1
17	Z75222	FHCS, 5/16NF x 1"	5
18	Z92318	Choker Chain, 5/16" x 90"	1

Winch Drum



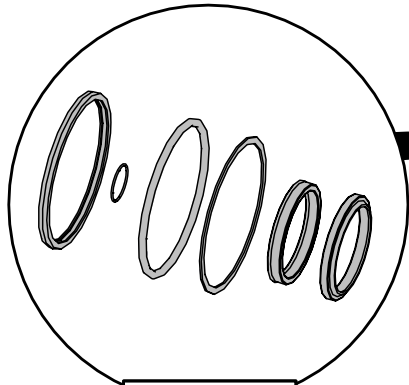
Item No.	Part No.	Description	Qty
1	6083W201	Drum, Main Cable	1
2	6083M256	Gear, High	1
3	6083M257	Gear, Low Driven	1
4	6083L207	Washer, Capture	1
5	6083M252	1/2-13 x 1 Bolt Modified	1
6	Z25207	Bearing Insert, UC206-20	2
7	Z25301	3-Bolt Flange Bearing, PF206 x Flange Only	4
8	Z29202	Grease Fitting, 1/4NF	1
9	Z34302	Spring Plunger, 3/8NC x 5/8" x 21 lbs	1
10	Z46531	Key, 1/4" x 1/4" x 2"	1
11	Z76133	Flange Bolt, 3/8NC x 3/4"	6
12	Z92118	Synthetic Winch Cable, 5/16" x 80ft with Grab Hook	1
13	Z75222	FHCS, 5/16NF x 1"	5

Hydraulic Winch Accessory Top Cable

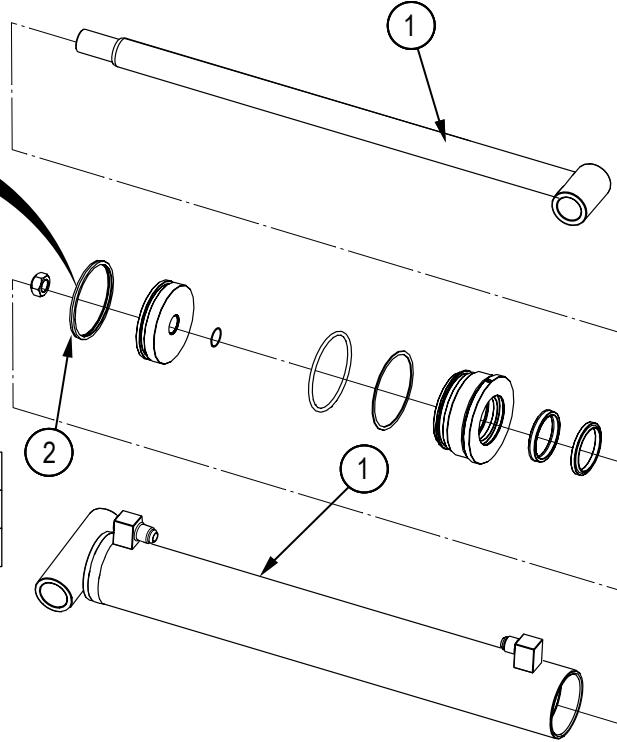


Item No.	Part No.	Description	Qty
1	5011M814	Top Pulley Pin	1
2	5011M816	Cable Pulley	1
3	5012M222	Cable Guide Swing Bushing	1
4	6083L247	Washer, Pulley Spacer - Narrow	2
5	6083W211	Frame, Top Pulley	1
6	Z21201	Ball Bearing 6305 2RS	1
7	Z46101	Internal Retaining Ring 2-7/16	1
8	Z71320	Hex Bolt, 3/8NC x 2	1
9	Z72231	Hex Lock Nut, 3/8NC	1
10	Z72281	Hex Lock Nut, 7/8-9NC	1
11	6083W208	Cable Guide	1

Main Boom Cylinder

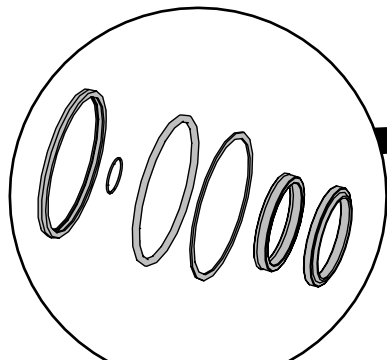


Seal Kit #SLK2515

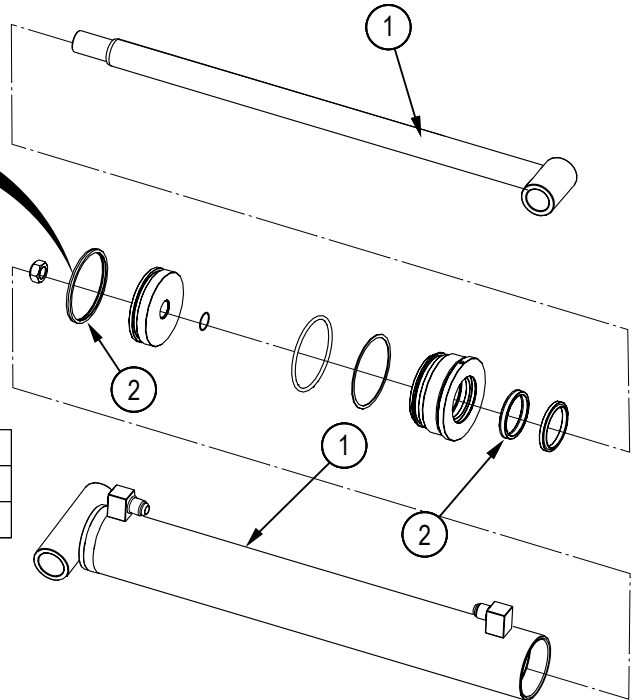


Item No.	Part No.	Description	Qty
1	6030C363	Cylinder, 2-1/2" x 1-1/2" x 16-3/4"	1
2	SLK-2515	Seal Kit	1

Dipper Boom Cylinder

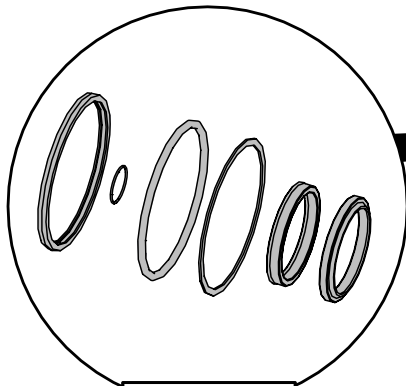


Seal Kit #SLK2512

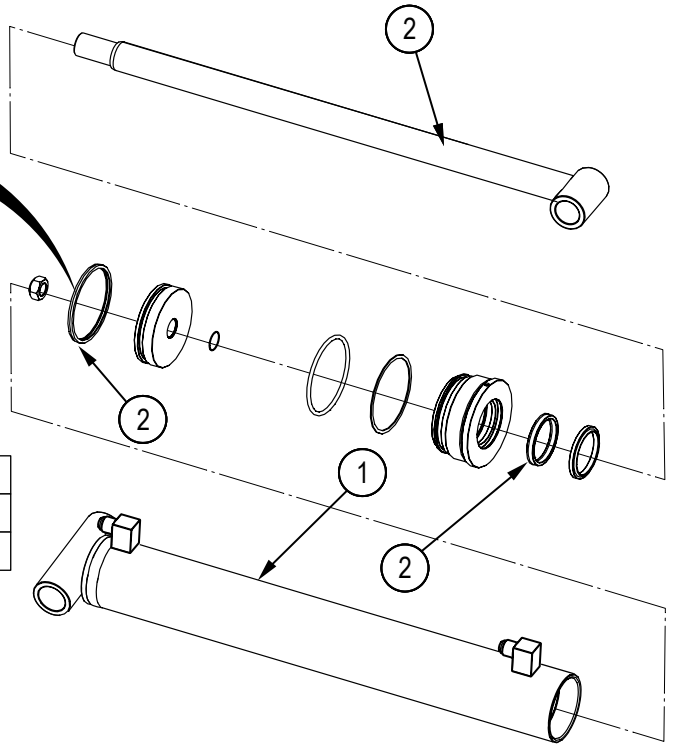


Item No.	Part No.	Description	Qty
1	6030C750	Cylinder, 2-1/2" x 1-1/4" x 17-3/4"	1
2	SLK-2512	Seal Kit	1

Stabilizer Cylinder

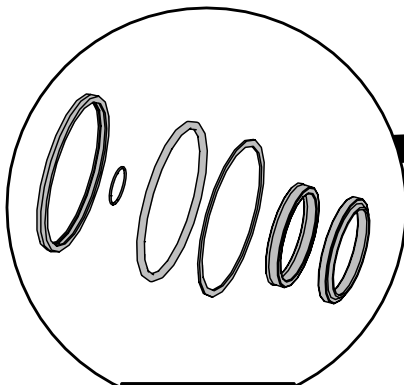


Seal Kit #SLK2012

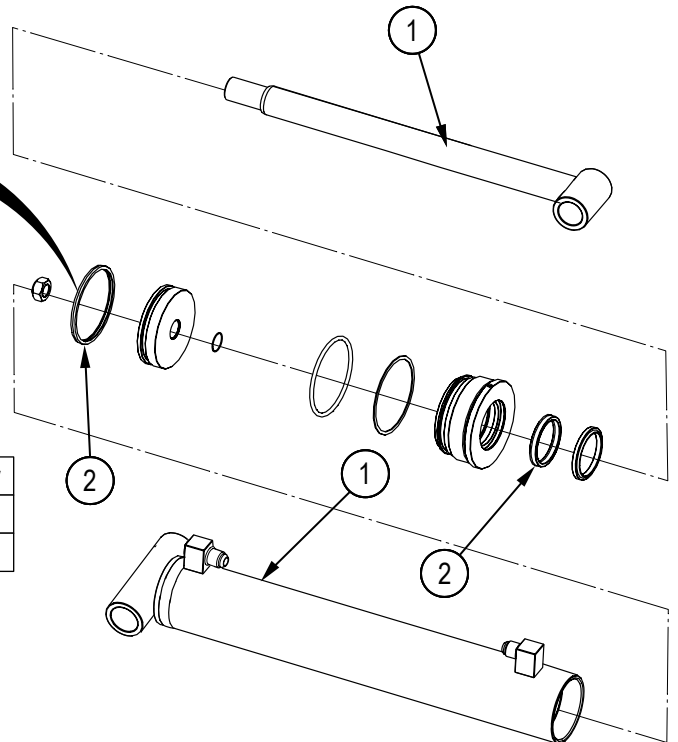


Item No.	Part No.	Description	Qty
1	6030C754	Cylinder, 2" x 1-1/4" x 13-5/8"	1
2	SLK-2012	Seal Kit	1


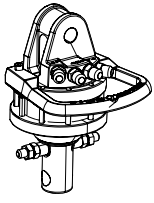
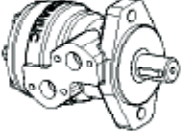
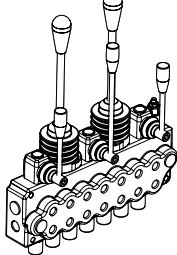
Grapple Cylinder



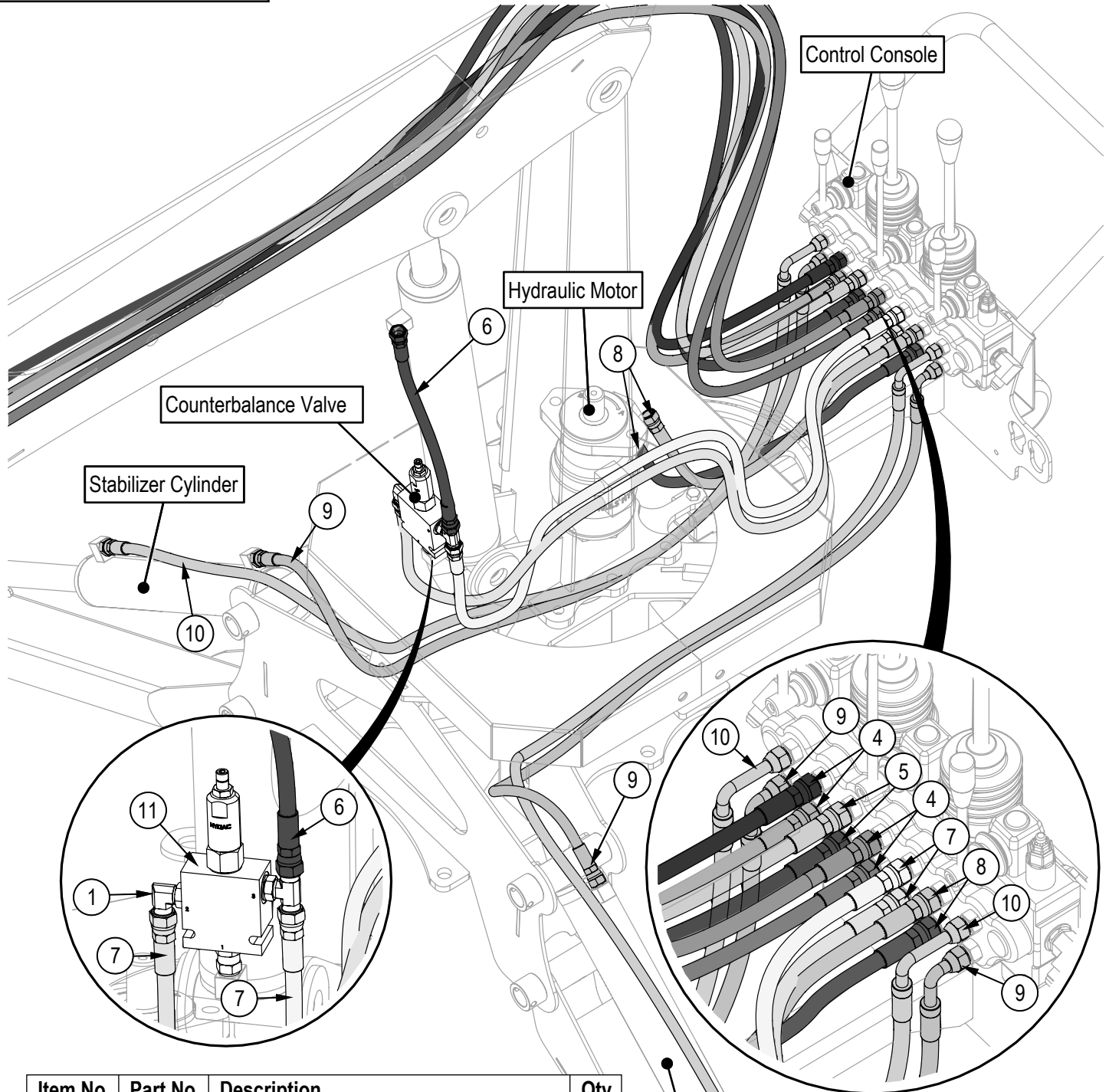
Seal Kit #SLK2012



Item No.	Part No.	Description	Qty
1	6014C401	Cylinder, 2" 1-1/4" x 4-11/16"	1
2	SLK-2012	Seal Kit	1

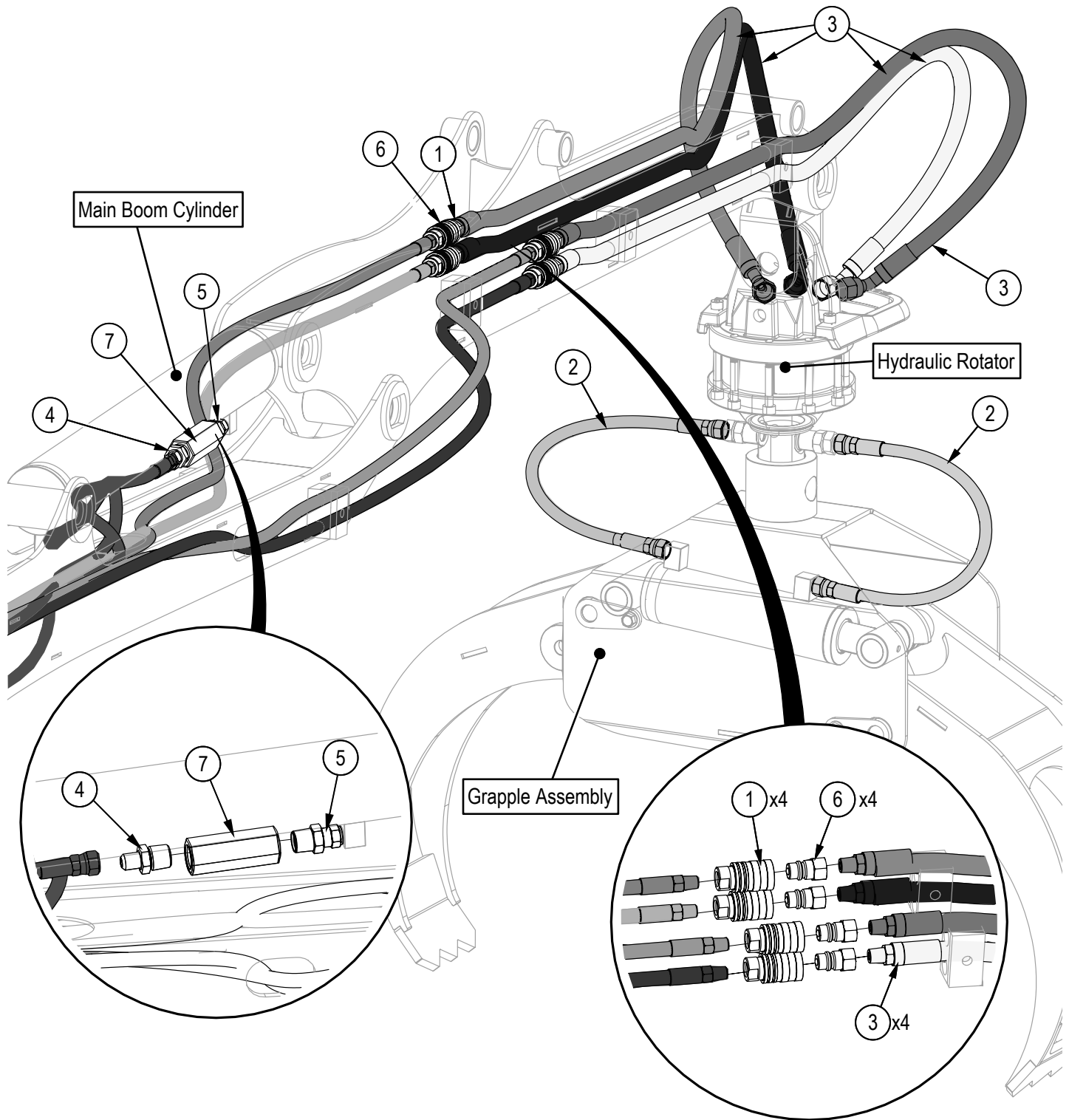
Seal Kits		Seal Kit: Z54107 CR300 Hydraulic Rotator
Seal Kit: Z54104 315 Series Hydraulic Motor (Main boom)		
	Seal Kit: SK MLHP-U/D,E	 Seal Kit: RK CR300
Seal Kit: Z54108 Hydraulic Motor (Winch) MLHP 50		Seal Kit: Z56206 Monoblock 7-Section Valve
	Seal Kit: SK MLHP-U/D,E	 Seal Kit: SK SD5/7

Hydraulic Circuit



Item No.	Part No.	Description	Qty
1	Z51651	Elbow 90, MJIC x MORB 0606	1
2	Z51674	Tee, MJIC x MJIC x MORB 060606	1
3	Z51761	Straight, MORB x FJICX 0606	1
4	Z52128	1/4" Hose, FJIC06 x MP04 x 142"	4
5	Z52129	1/4" Hose, FJIC06 x FJIC06 x 108"	2
6	Z52130	1/4" Hose, FJIC06 x FJIC06 x 11"	1
7	Z52131	1/4" Hose, FJIC06 x FJIC06 x 45"	2
8	Z52132	1/4" Hose, FJIC06 x FJIC06 x 28"	2
9	Z52133	1/4" Hose, FJIC06 x 90 FJIC06 x 42"	2
10	Z52134	1/4" Hose, FJIC06 x Long 90 FJIC06 x 56"	2
11	Z56105	Counterbalance Valve, 10GPM	1

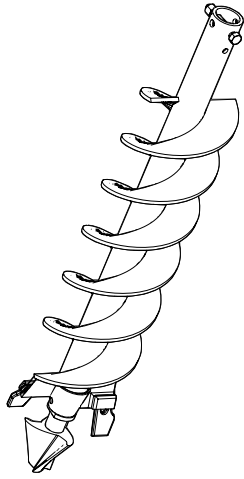
Hydraulic Circuit



Item No.	Part No.	Description	Qty
1	Z51917	Quick Coupler, FP04 x M ISO 5675	4
2	Z52137	1/4" Hose, FJIC06 x FJIC06 x 15"	2
3	Z52259	3/8" Hose, 45FJIC08 x MP04 x 50"	4
4	Z51441	Straight, MJIC x MP 0608	1
5	Z51512	Straight, MP x FJICX 0806	1
6	Z51918	Quick Coupler, FP04 x F ISO 5675	4
7	Z56104	Check Valve, FP08 x 0.040"	1

Accessories

Call your dealer for pricing and availability



LA610 – 6" Diameter Auger Kit

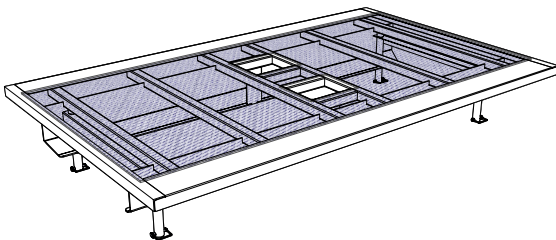
LA910 – 9" Diameter Auger Kit

For **all LX models.**

Both hydraulic augers are capable of a hole depth of a 42" (107 cm).

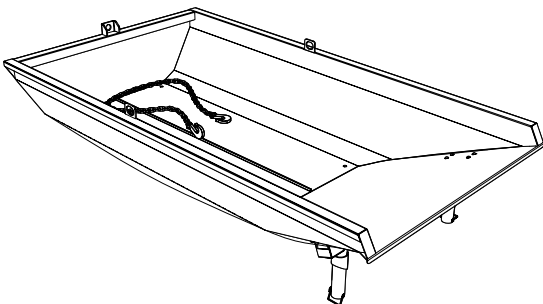
Accessories

Call your dealer for pricing and availability

**L330 – Expanded Metal Flat bed**

Transporting material and equipment made easy. Simply drop on this flat bed and you're set to go!

L330 has a 274 cm x 152 cm (9.0' x 5.0') cargo bed.

**L310 – Dump Box**

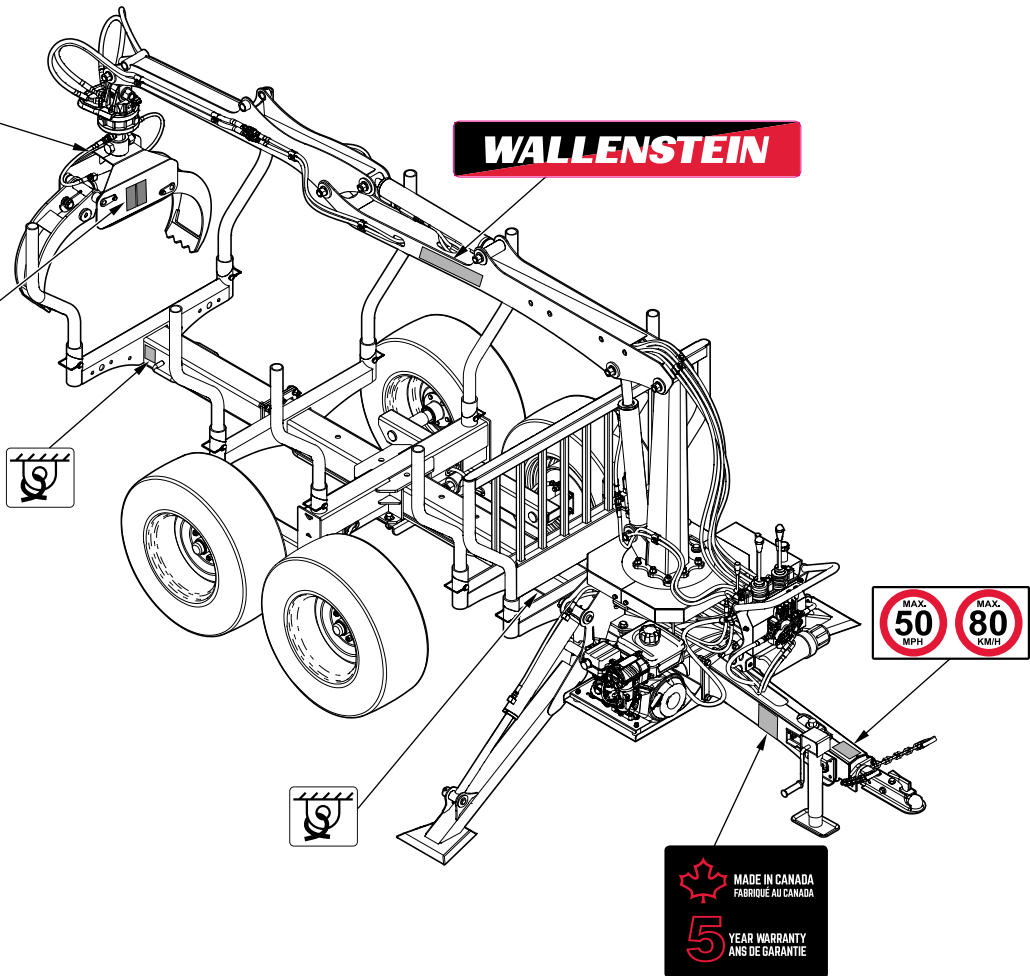
Load, transport and dump loads. Holds 25 ft³ (0.7 m³).

Each dump box comes complete with a 6 ft (1.8 m) chain used for dumping.

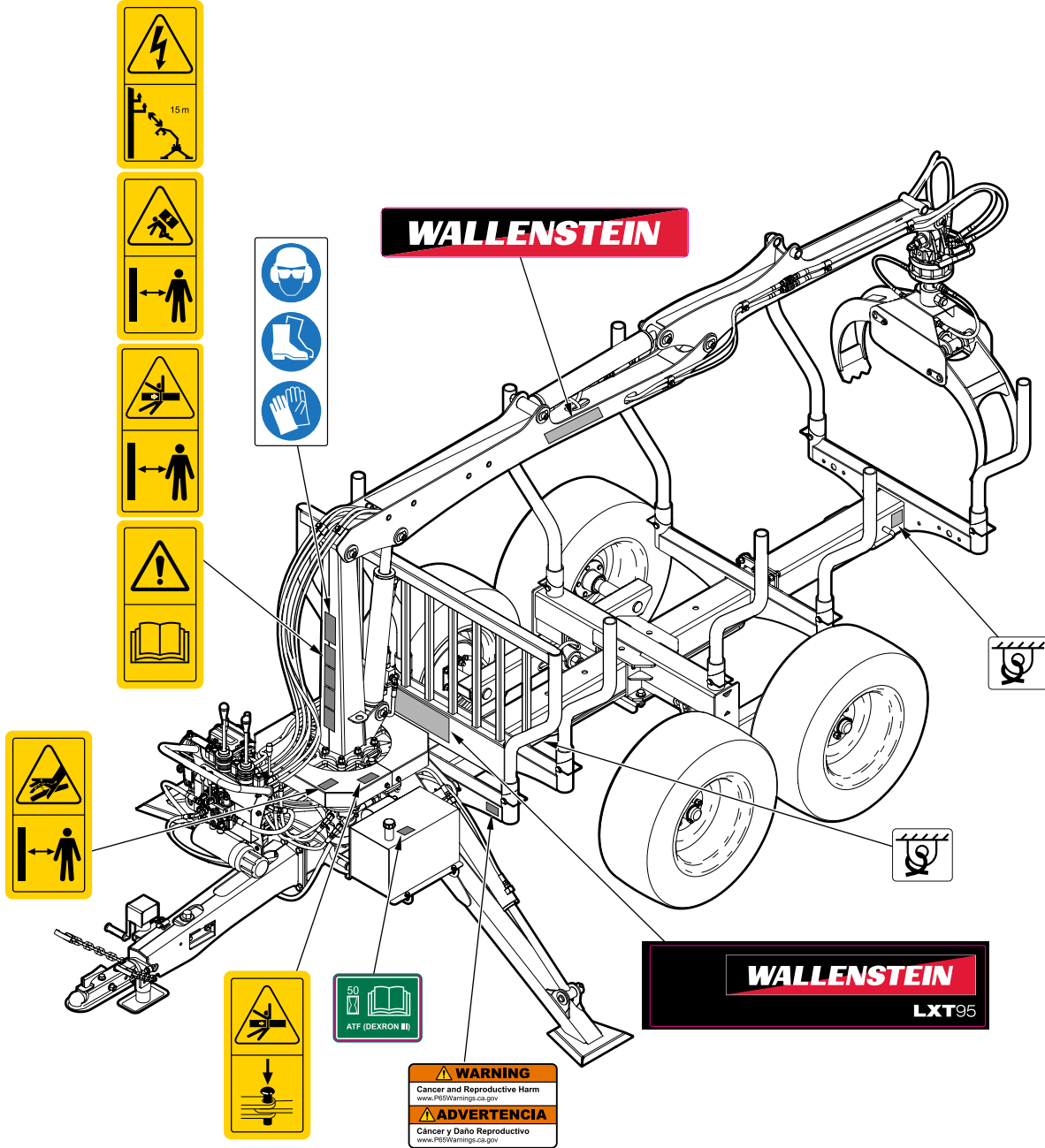
Decal Layout

IMPORTANT! If parts are replaced that have safety signs on them, new signs must be applied. Safety signs must always be replaced if they become damaged, are removed, or become illegible.

Safety signs are included in the product decal kit available from your authorized dealer. Decals are not available separately.



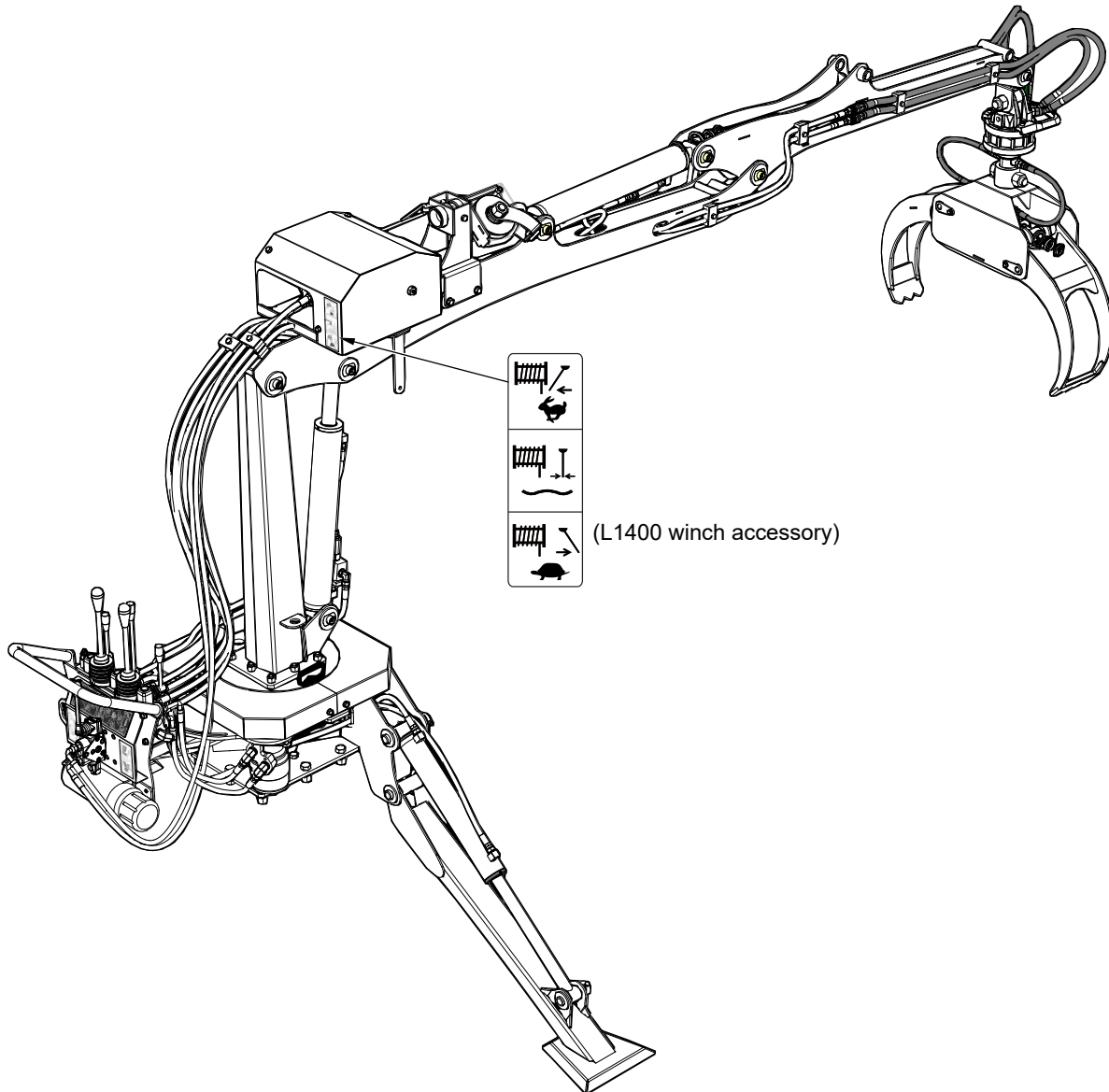
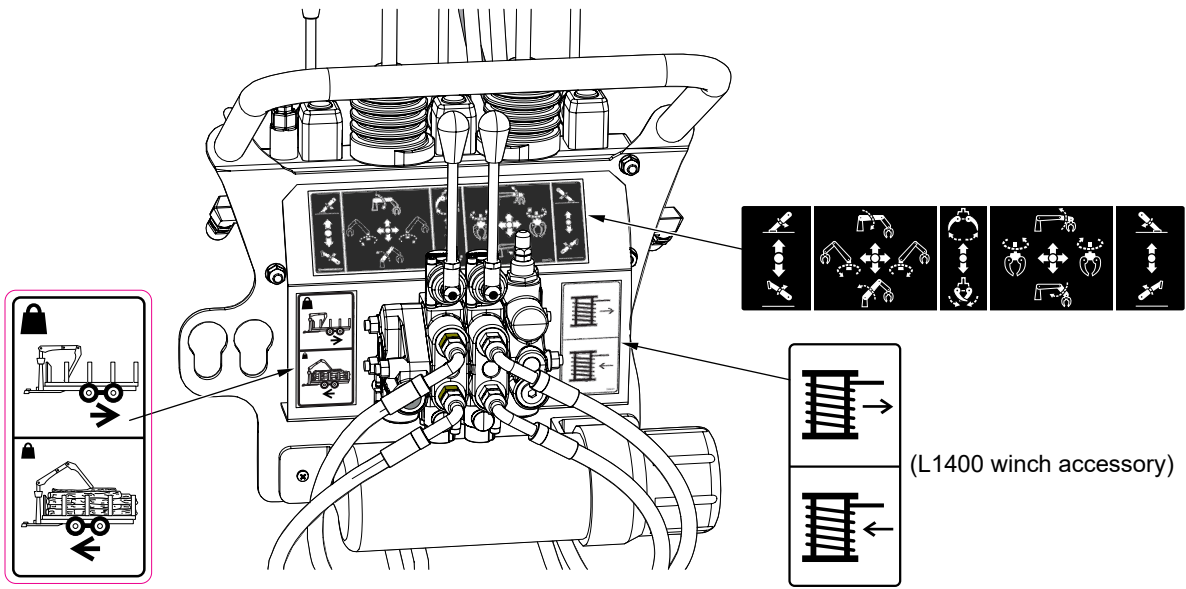
Decal Layout



WARNING
 Cancer and Reproductive Harm
www.P65Warnings.ca.gov

ADVERTENCIA
 Cáncer y Daño Reproductivo
www.P65Warnings.ca.gov

Decal Layout



Bolt Torque

IMPORTANT! If you replace hardware, use fasteners of the same grade.

IMPORTANT! The torque specifications in these tables are for non-greased or non-oiled threads. Do not grease or oil fastener threads unless otherwise indicated. When using a thread lock, increase the specified torque 5%.



Bolt grades are identified by the marks on the bolt head.

The bolt torque specification tables provide the correct torque settings for common bolts and capscrews. Tighten all bolts to the torque that is specified in the table, unless otherwise indicated. Check the bolt tightness periodically.

Imperial Bolt Torque Specifications

Bolt Diameter	Torque					
	SAE Gr. 2		SAE Gr. 5		SAE Gr. 8	
	lbf•ft	N•m	lbf•ft	N•m	lbf•ft	N•m
1/4 inch	6	8	9	12	12	17
5/16 inch	10	13	19	25	27	36
3/8 inch	20	27	33	45	45	63
7/16 inch	30	41	53	72	75	100
1/2 inch	45	61	80	110	115	155
9/16 inch	60	95	115	155	165	220
5/8 inch	95	128	160	215	220	305
3/4 inch	165	225	290	390	400	540
7/8 inch	170	230	420	570	650	880



SAE Gr. 2



SAE Gr. 5



SAE Gr. 8

Metric Bolt Torque Specifications

Bolt Diameter	Torque			
	Gr. 8.8		Gr. 10.9	
	lbf•ft	N•m	lbf•ft	N•m
M3	0.4	0.5	1.3	1.8
M4	2.2	3	3.3	4.5
M6	7	10	11	15
M8	18	25	26	35
M10	37	50	52	70
M12	66	90	92	125
M14	83	112	116	158
M16	166	225	229	310
M20	321	435	450	610
M30	1,103	1,495	1,550	2,100



8.8



10.9

Hydraulic Fitting Torque

Tighten flare-type tube fittings:

1. Check the flare and flare seat for defects that might cause leaks.
2. Align the tube with the fitting before tightening.
3. Hand-tighten the swivel nut until it is snug.
4. To prevent the tube from twisting, use two wrenches. Place one wrench on the connector body and tighten the swivel nut with the second wrench. Torque the fitting to the correct specification.

If a torque wrench is not available, use the flats from finger tight (FFFT) method.

Hydraulic Fitting Torque Specifications

Tube size OD	Hex size across flats	Torque		Flats from finger tight	
		lbf•ft	N•m	Flats	Turns
3/16	7/16	6	8	2	1/6
1/4	9/16	11–12	15–17	2	1/6
5/16	5/8	14–16	19–22	2	1/6
3/8	11/16	20–22	27–30	1-1/4	1/6
1/2	7/8	44–48	59–65	1	1/6
5/8	1	50–58	68–79	1	1/6
3/4	1-1/4	79–88	107–119	1	1/8
1	1-5/8	117–125	158–170	1	1/8

Specifications are for non-lubricated connections.

Lug Nut Torque



WARNING!

Wheel lug nuts must be installed and kept at the correct torque to prevent loose wheels, broken studs, or possible separation of a wheel from the axle.

It is an extremely important safety procedure to apply and maintain the correct torque on lug nuts that secure the wheel to the trailer axle. A calibrated torque wrench is the best tool to make sure that the correct amount of torque is applied to a fastener.

Tighten wheel lug nuts to the correct torque before the first use and after each wheel removal. After a wheel is installed, check and torque the lug nuts after the first 10 miles (16 km), 25 miles (40 km), and 50 miles (80 km). Check the lug nut torque periodically thereafter.

- Start all lug nuts onto the threads by hand.
- Tighten lug nuts in stages, following the pattern shown below the Lug Nut Torque Specifications table.

Lug Nut Torque Specifications

Wheel size	Units	First stage	Second stage	Third stage
8 inch	lbf•ft	12–20	30–35	45–55
	N•m	16–26	39–45.5	58.5–71.5
12 inch	lbf•ft	20–25	35–40	50–60
	N•m	26–32.5	45.5–52	65–78
13 inch	lbf•ft	20–25	35–40	50–60
	N•m	26–32.5	45.5–52	65–78
14 inch	lbf•ft	20–25	50–60	90–120
	N•m	26–32.5	65–78	117–156
15 inch	lbf•ft	20–25	50–60	90–120
	N•m	26–32.5	65–78	117–156
16 inch	lbf•ft	20–25	50–60	90–120
	N•m	26–32.5	65–78	117–156

Lug nut torque pattern:

