

WALLENSTEIN

HUF12000E/ HUF12000EA Generator Parts Manual

Starting with S/N's

HUF12000E: 5910034 - 6910198

HUF12000EA: 7110016 - 7110078



Foreword

EMB Mfg. has prepared this parts manual to assist customers in ordering quality OEM replacement parts.

Proper and regular service and replacing old, worn or broken parts with the correct Wallenstein parts are essential to prolonging the life of your Wallenstein product. Please refer to this manual before ordering any replacement parts.

All information contained in this parts manual is based on the latest product specification available at the time of printing this manual. If your product differs from the specifications contained within this manual contact EMB Mfg. for information.

EMB reserves the right to alter specifications on their products at any time.

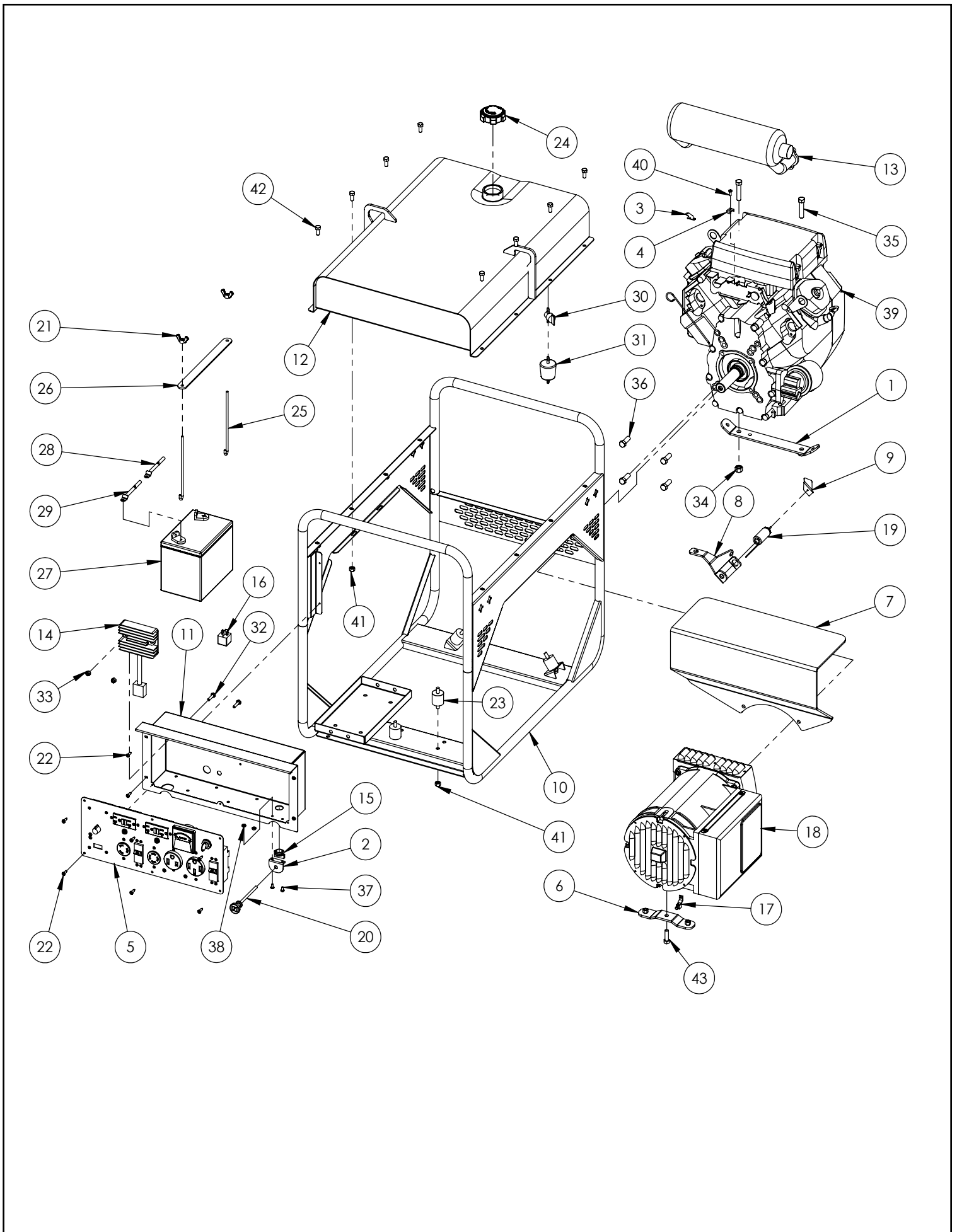
Reproduction of this parts manual of any kind is prohibited without prior written permission from EMB Mfg.

Note: Products with factory installed light kits will have a VIN number included. The last six numbers of this VIN number are the splitters serial number

Example: 2E9US1112BSXXXXXX

Table of Contents

Main Parts	4
Alternator	7
Wiring Diagram	9
HUF 12000E Panel	10
HUF 12000EA Panel	11

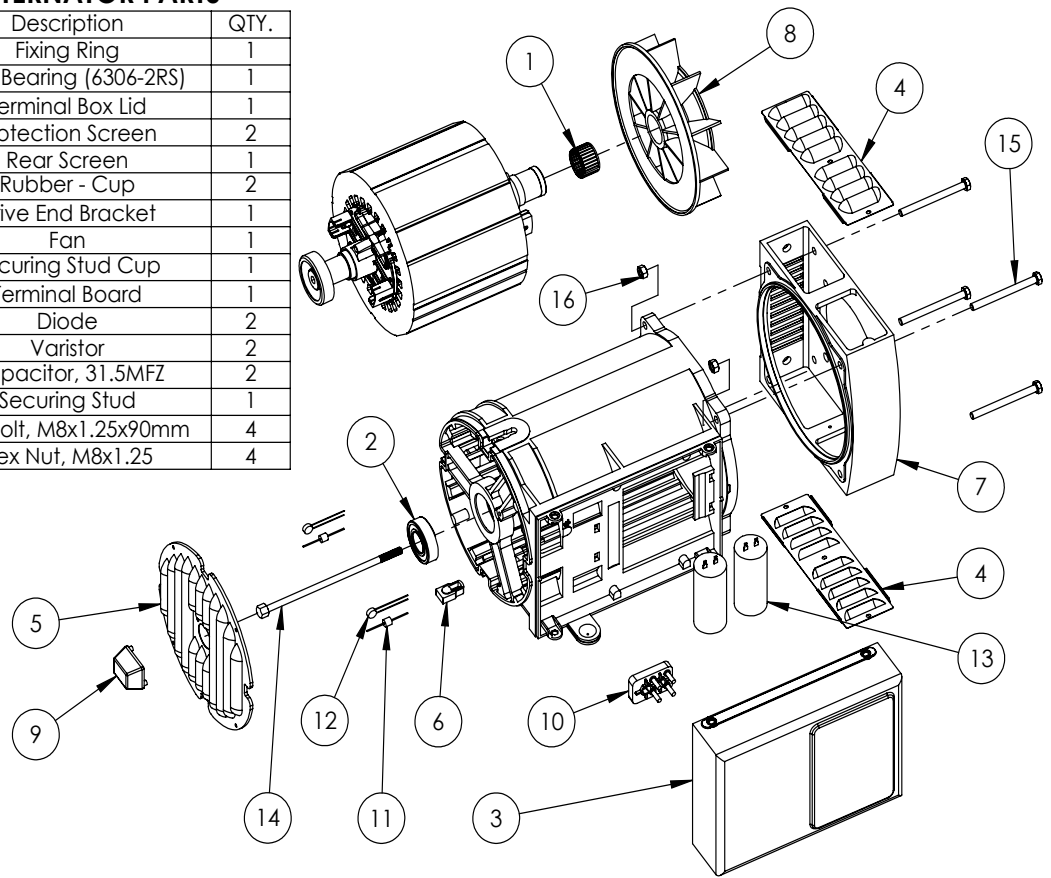


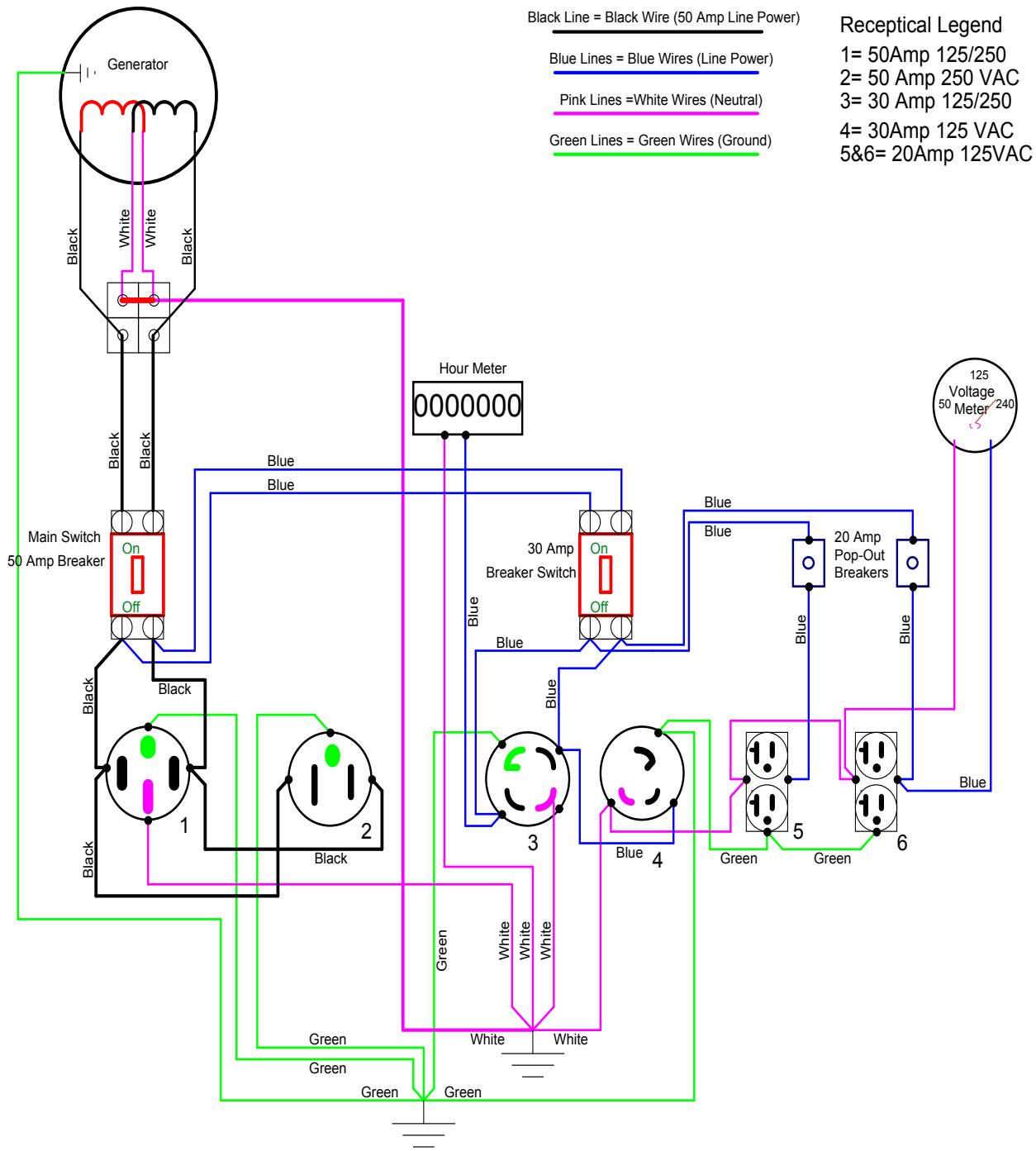
HUF SERIES GENERATOR PARTS BREAKDOWN

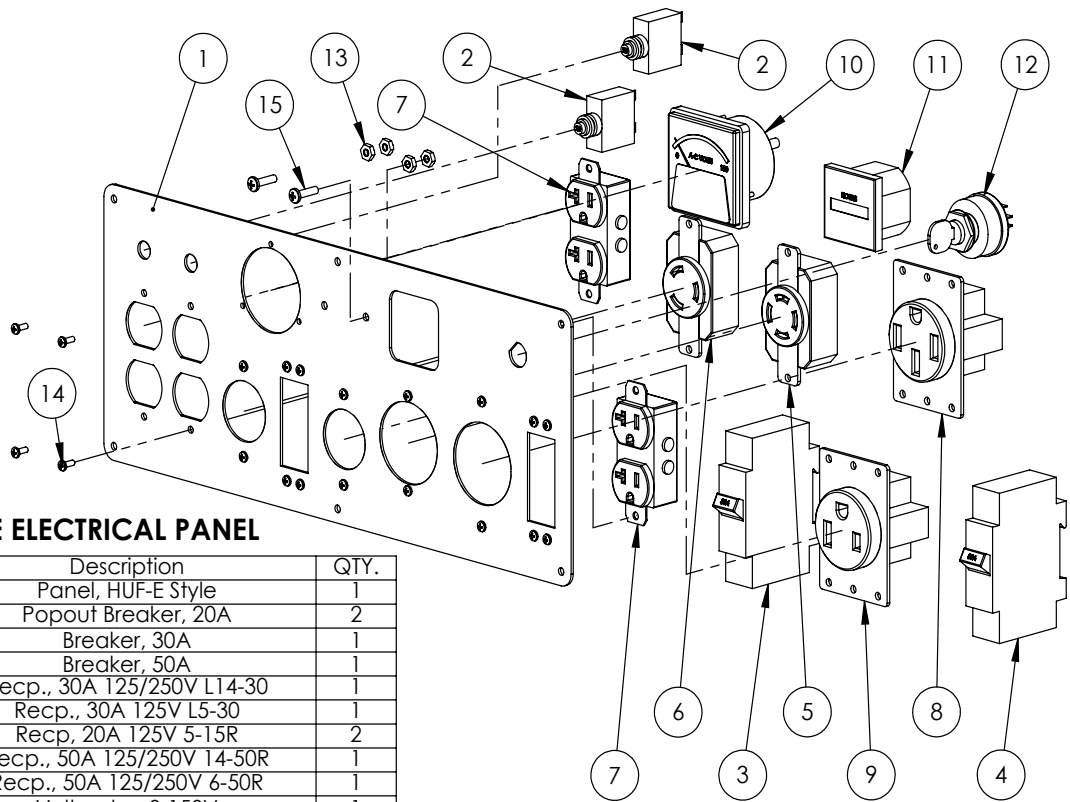
ITEM	HUF12000EA	HUF12000E	Description	QTY.
1	4014L405		Engine Mount Plate	1
2	4015L517		Bracket, Choke Cable	1
3	4015L555		Bracket, Choke Lever	1
4	4015L557		Clamp, Choke Cable	1
5	4021A505	4021A105	Assembly, HUF-EA Panel	1
6	4021L111		5/16 Offset Gen Plate	1
7	4021L121		Muffler Cover	1
8	4021L501	-	Bracket, Solenoid Mount	1
9	4021L502	-	Bracket, Solenoid	1
10	4021W104		Frame, HUF Style	1
11	4021W106		Housing, Electrical Panel	1
12	4021W108		Fuel Tank, HUF Style	1
13	Z47165		Muffler, 24hp	1
14	Z47901		Regulator Rectifier	1
15	Z62261		Box Connector, 3/8	1
16	Z62641		Relay, 12V	1
17	Z62711		Grounding Terminal, 6-14	1
18	Z65407		Alternator, 12kVA	1
19	Z65602	-	Solenoid, 20hp	1
20	Z66801		Choke Cable	1
21	Z72921		Wing Nut 1/4NF	2
22	Z76712		Self-tapping Screw #10	10
23	Z79931		Rubber Mount	4
24	Z93103		Fuel Cap	1
25	Z93202		J-Hook 1/4 x 7	2
26	Z93203		Hold-Down Strap, 1 x 10-1/2	1
27	Z93204		325 CCA Battery (Optional)	1
28	Z93209		Battery Cable, Pos 20"	1
29	Z93210		Battery Cable, Neg 25"	1
30	Z93301		Fuel Shut-off, 1/4"	1
31	Z93302		Fuel Filter, In-Line 1/4" Large	1
32	Z71110		Hex Bolt 1/4NC x 1	2
33	Z72111		Hex Lock Nut 1/4NC	2
34	Z72240		Hex Lock Nut, 7/16NC	2
35	Z71420		Hex Bolt 7/16NC x 2	2
36	Z71412		Hex Bolt 7/16NC x 1-1/4	4
37	Z78302		Machine Screw #10NF x 3/8	2
38	Z72752		Machine Nut, #10NF	2
39	Z47157		Honda 20hp Engine Tapered	1
40	Z78303		Machine Screw #10NF x 1/2	1
41	Z72221		Hex Lock Nut 5/16NC	16
42	Z71207		Hex Bolt 5/16NC x 3/4	8
43	Z71312		Hex Bolt 3/8NC x 1-1/4	1

Z65407 12kVA ALTERNATOR PARTS

ITEM	PART NO.	Description	QTY.
1	0390100211	Fixing Ring	1
2	0390302511	Rear Bearing (6306-2RS)	1
3	0390501015	Terminal Box Lid	1
4	0390700009	Protection Screen	2
5	0390700011	Rear Screen	1
6	0390700306	Rubber - Cup	2
7	0391700143	Drive End Bracket	1
8	0392000033	Fan	1
9	9909505006	Securing Stud Cup	1
10	9909915060	Terminal Board	1
11	9910356050	Diode	2
12	9910384005	Varistor	2
13	GECAP31MF	Capacitor, 31.5MFZ	2
14	GESS262MM	Securing Stud	1
15	Z77159	Hex Bolt, M8x1.25x90mm	4
16	Z77251	Hex Nut, M8x1.25	4

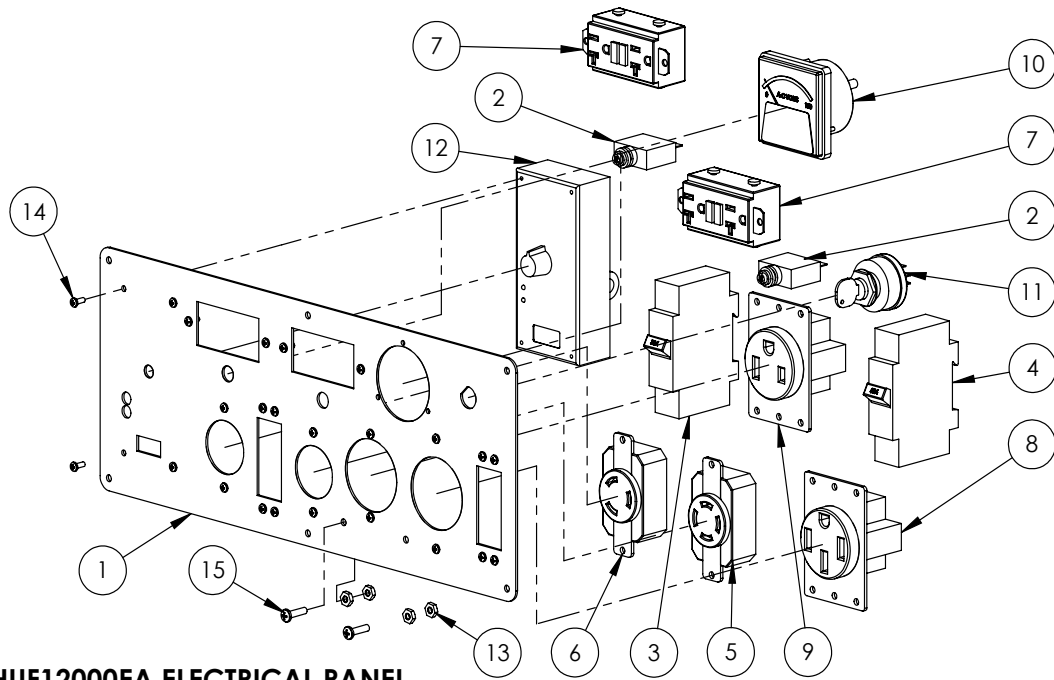






4021A108 HUF12000E ELECTRICAL PANEL

ITEM	PART NO.	Description	QTY.
1	4021L104	Panel, HUF-E Style	1
2	Z62612	Popout Breaker, 20A	2
3	Z62623	Breaker, 30A	1
4	Z62624	Breaker, 50A	1
5	Z63403	Recp., 30A 125/250V L14-30	1
6	Z63404	Recp., 30A 125V L5-30	1
7	Z63406	Recp, 20A 125V 5-15R	2
8	Z63409	Recp., 50A 125/250V 14-50R	1
9	Z63410	Recp., 50A 125/250V 6-50R	1
10	Z64501	Voltmeter, 0-150V	1
11	Z64610	Hour Meter	1
12	Z66104	Starter, Key Switch	1
13	Z72751	Machine Nut, #10NC	4
14	Z78304	Machine Screw, #6NC x 3/8	20
15	Z78305	Machine Screw, #10NC x 3/4	2



4021A505 HUF12000EA ELECTRICAL PANEL

ITEM	Part#	Description	QTY.
1	4021L504	Panel, HUF-EA Style	1
2	Z62612	Popout Breaker, 20A	2
3	Z62623	Breaker, 30A	1
4	Z62624	Breaker, 50A	1
5	Z63403	Recp., 30A 125/250V L14-30	1
6	Z63404	Recp., 30A 125V L5-30	1
7	Z63408	Recp., 20A 125V GFCI 5-20R	2
8	Z63409	Recp., 50A 125/250V 14-50R	1

ITEM	Part#	Description	QTY.
9	Z63410	Recp., 50A 125/250V 6-50R	1
10	Z64501	Voltmeter, 0-150V	1
11	Z66104	Starter, Key Switch	1
12	Z66203	Control, Auto-Idle	1
13	Z72751	Machine Nut, #10NC	4
14	Z78304	Machine Screw, #6NC x 3/8	24
15	Z78305	Machine Screw, #10NC x 3/4	2



WALLENSTEIN Products Manufactured by:

EMB MFG Inc.

4144 Boomer Line
St. Clements, Ontario
Canada N0B 2M0
Phone: 1-877-695-9283
Fax: 519-699-4146
www.embmfg.com