



BX32S Chipper Parts Manual

S/N 132S284 to S/N 132S321



Foreword

EMB Mfg. has prepared this parts manual to assist customers in ordering quality OEM replacement parts.

Proper and regular service and replacing old, worn or broken parts with the correct Wallenstein parts are essential to prolonging the life of your Wallenstein product. Please refer to this manual before ordering any replacement parts.

All information contained in this parts manual is based on the latest product specification available at the time of printing this manual. If your product differs from the specifications contained within this manual contact EMB Mfg. for information.

EMB reserves the right to alter specifications on their products at any time.

Reproduction of this parts manual of any kind is prohibited without prior written permission from EMB Mfg.

Note: Products with factory installed light kits will have a VIN number included. The last six numbers of this VIN number are the splitters serial number

Example: 2E9US1112BSXXXXXX

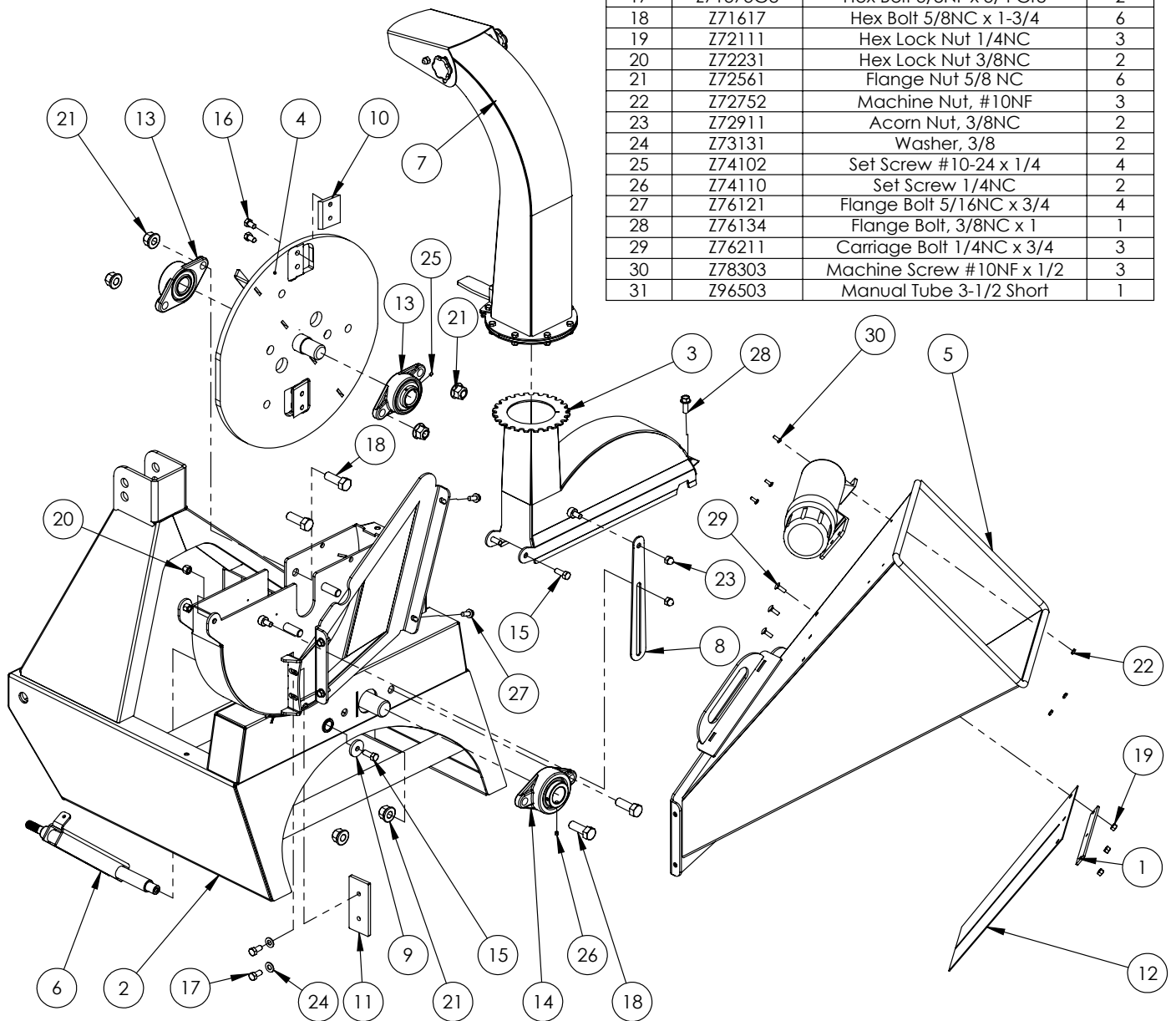
Table of Contents

Main Parts Breakdown	5
Driveline Parts Breakdown	7
Discharge Chute Parts Breakdown	9
Binacchi PTO Parts Breakdown	10
Decal Breakdown	12

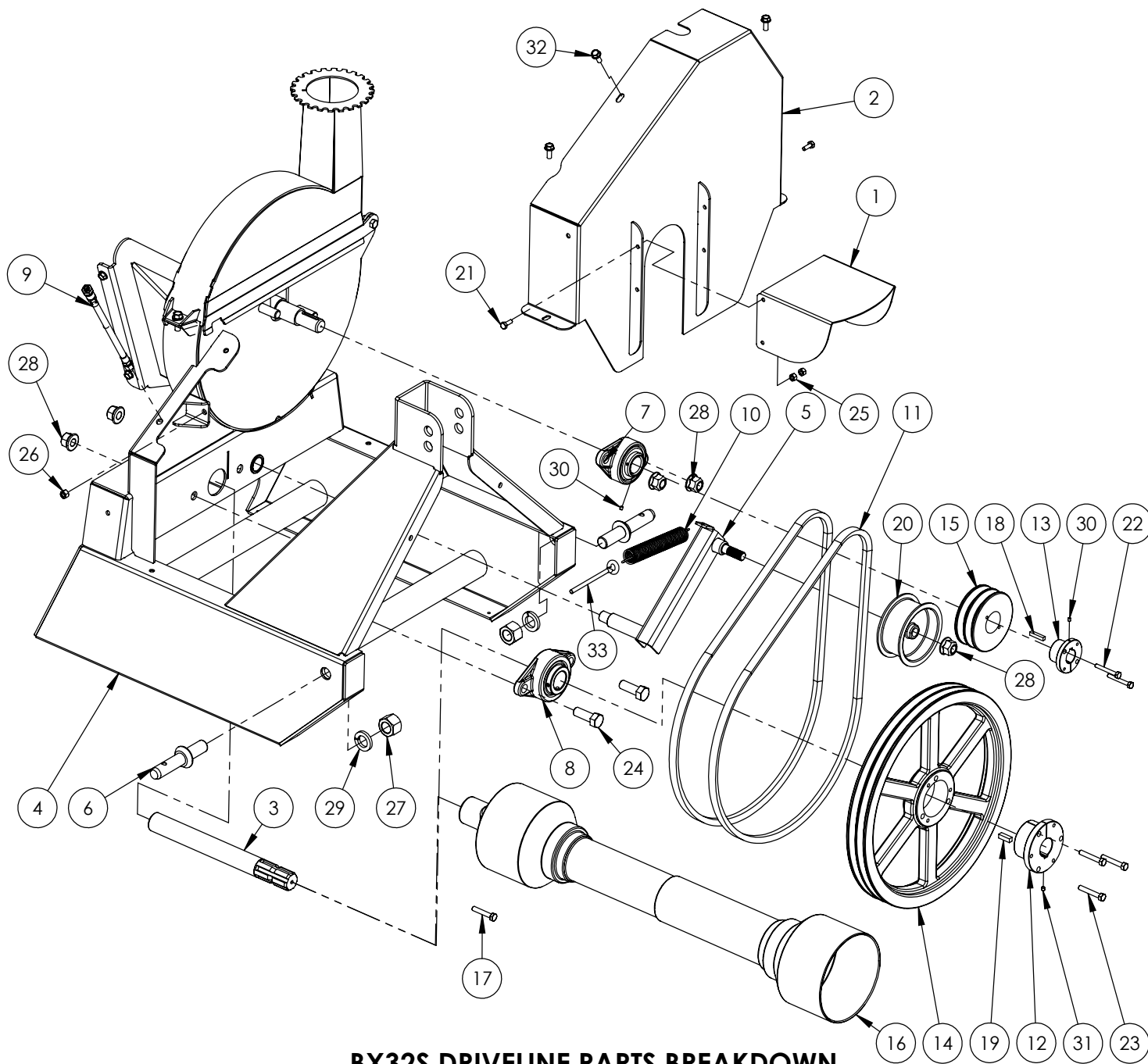
This Page is Intentionally Blank

BX32S MAIN PARTS BREAKDOWN

ITEM	PART NO.	Description	QTY.
1	1018L994	Chipper Chute Flap Clamp	1
2	1018W101	Housing, Bottom Rotor with PTO frame	1
3	1018W102	Housing, Upper Rotor	1
4	1018W103	Rotor	1
5	1018W107	Chipper Chute	1
6	1018W701	Idler Arm	1
7	1056A302	Assembly, Discharge Chute	1
8	1056L229	Positive Stop Plate	1
9	1056L968	Washer, Idler Capture	1
10	1056M303	Knife, 3" Rotor	2
11	1056M304	Knife, 3" Ledger	1
12	1056S604	Flap, Hopper	1
13	Z25103	2-Bolt Flange Bearing, 1-1/4	2
14	Z25104	2-Bolt Flange Bearing, 1-3/8	1
15	Z71310	Hex Bolt 3/8NC x 1	3
16	Z71372G8	Hex Bolt, 3/8NF x 5/8 G8	4
17	Z71373G8	Hex Bolt 3/8NF x 3/4 Gr8	2
18	Z71617	Hex Bolt 5/8NC x 1-3/4	6
19	Z72111	Hex Lock Nut 1/4NC	3
20	Z72231	Hex Lock Nut 3/8NC	2
21	Z72561	Flange Nut 5/8 NC	6
22	Z72752	Machine Nut, #10NF	3
23	Z72911	Acorn Nut, 3/8NC	2
24	Z73131	Washer, 3/8	2
25	Z74102	Set Screw #10-24 x 1/4	4
26	Z74110	Set Screw 1/4NC	2
27	Z76121	Flange Bolt 5/16NC x 3/4	4
28	Z76134	Flange Bolt, 3/8NC x 1	1
29	Z76211	Carriage Bolt 1/4NC x 3/4	3
30	Z78303	Machine Screw #10NF x 1/2	3
31	Z96503	Manual Tube 3-1/2 Short	1



This Page is Intentionally Blank



BX32S DRIVELINE PARTS BREAKDOWN

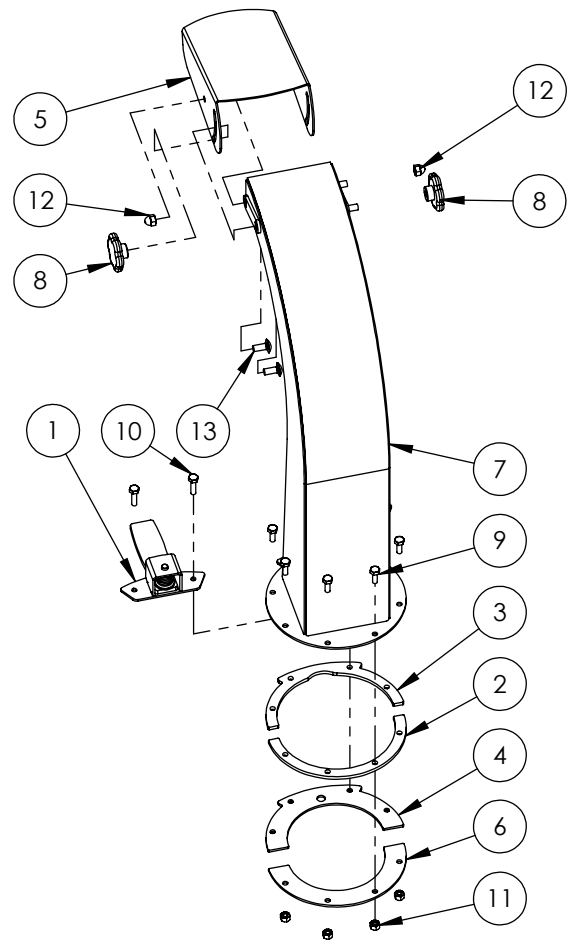
ITEM	PART NO.	Description	QTY.
1	1017L718	PTO Cover	1
2	1017W702	Shield	1
3	1018M702	Shaft, Splined	1
4	1018W101	Housing, Bottom Rotor with PTO frame	1
5	1018W701	Idler Arm	1
6	Z11431	Implement Pin 7/8x5-1/2	2
7	Z25103	2-Bolt Flange Bearing, 1-1/4	1
8	Z25104	2-Bolt Flange Bearing, 1-3/8	1
9	Z29309	Grease Whip 9" with Fittings	1
10	Z31404	Spring 25mm x 178mm x 0.135	1
11	Z41159	B Belt, 59	2
12	Z41501	SK Bushing, 1-3/8 Bore	1
13	Z41510	"L" Bushing 1" Bore	1
14	Z41706	Double "B" Sheave, 16.35" Pitch	1
15	Z41708	Double "B" Sheave, 4.45" Pitch	1
16	Z44401	#4 PTO Shaft M8 Shear	1
17	Z44901	Shear Bolt, M8x1.25x45mm Gr8.8 (Includes Lock-nut)	1
18	Z46534	Key 1/4 x 1/4 x 1-1/4	1
19	Z46542	Key 5/16 x 5/16 x 1-1/4	1
20	Z49104	Assembly, Idler	1

ITEM	PART NO.	Description	QTY.
21	Z71107	Hex Bolt 1/4NC x 3/4	2
22	Z71108	Hex Bolt 1/4NC x 7/8	2
23	Z71220	Hex Bolt 5/16NC x 2	3
24	Z71617	Hex Bolt 5/8NC x 1-3/4	4
25	Z72111	Hex Lock Nut 1/4NC	2
26	Z72221	Hex Lock Nut 5/16NC	1
27	Z72282	Hex Lock Nut 7/8NF	2
28	Z72561	Flange Nut 5/8 NC	5
29	Z73380	Spring Washer 7/8	2
30	Z74102	Set Screw #10-24 x 1/4	3
31	Z74110	Set Screw 1/4NC	3
32	Z76121	Flange Bolt 5/16NC x 3/4	7
33	Z76521	Eye Bolt 5/16NC x 4	1

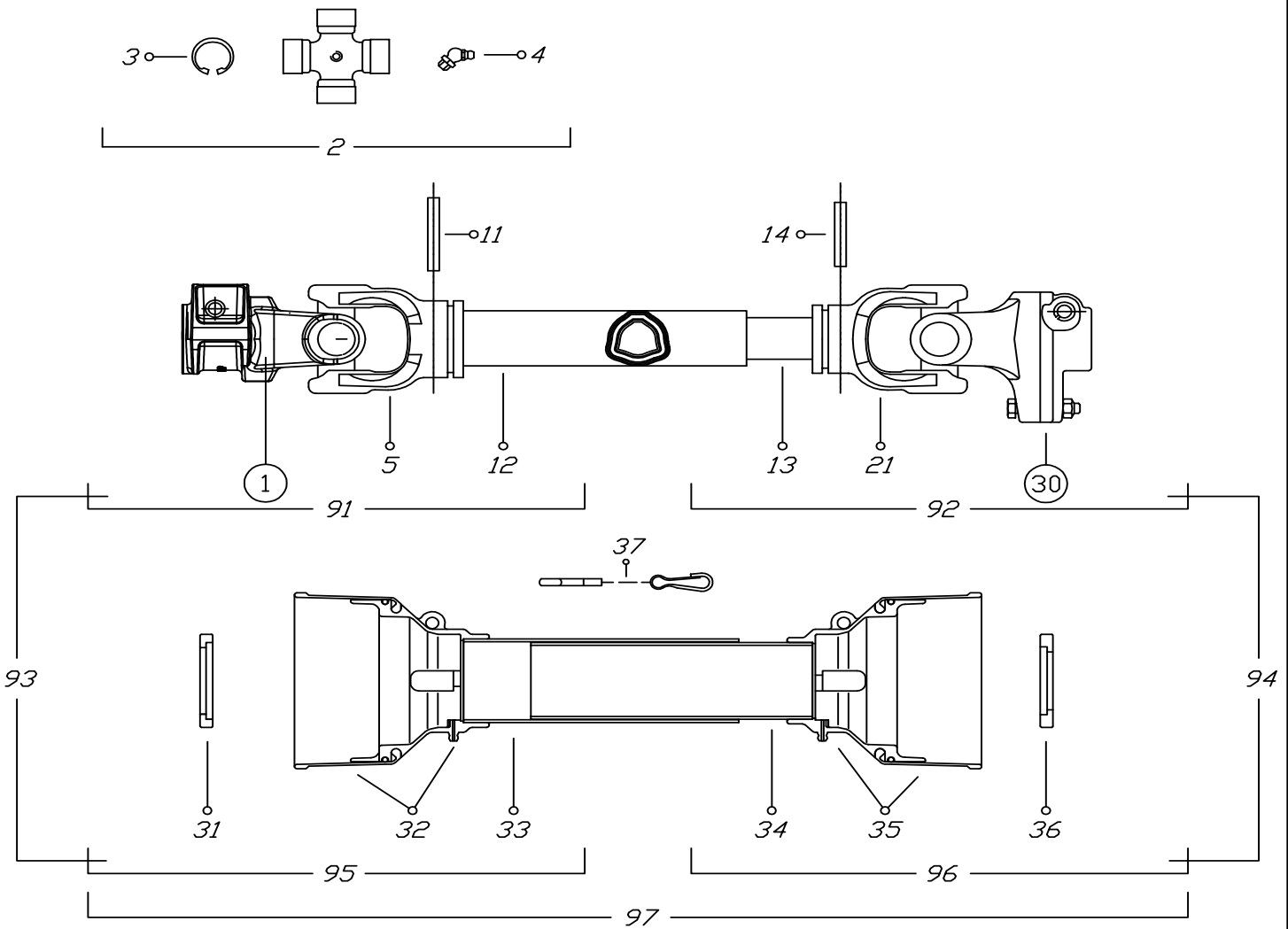
This Page is Intentionally Blank

1056A302 PARTS BREAKDOWN

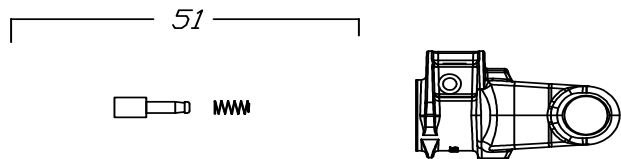
ITEM	PART NO.	Description	QTY.
1	1012W208	Assembly, Hood Latch	1
2	1056L327	Ring	1
3	1056L329	Plate, Spacer Ring	1
4	1056L330	Plate, Hood Capture	1
5	1056L333	Deflector, Discharge Chute	1
6	1056L334	Ring	1
7	1056W307	Discharge Chute	1
8	Z19313	Knob, 5/16NC Female Stud	2
9	Z71107	Hex Bolt 1/4NC x 3/4	6
10	Z71110	Hex Bolt 1/4NC x 1	2
11	Z72111	Hex Lock Nut 1/4NC	8
12	Z72914	Acorn Nut, 5/16NC	2
13	Z76221	Carriage Bolt 5/16NC x 3/4	4



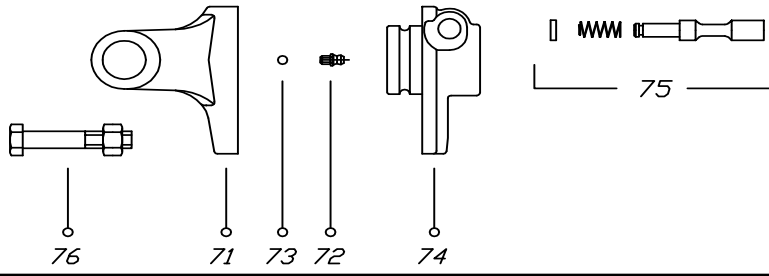
Binacchi PTO Parts Breakdown



①



③①



Binacchi PTO Parts List

BINACCHI SPARE PARTS LIST : B4080EA60098			
POS.	DESCRIPTION	Q.	Part #
01	YOKE	1	0800403
02	CROSS JOURNAL ASS.	2	08204
03	CIRCLIP	8	09802027
04	GREASE NIPPLE	2	09840081002
05	OUTER TUBE YOKE	1	08004021
11	FLEXIBLE PIN	1	098700860
12	CM. 100 CARDAN TUBE(*)	1	09881433100
13	CM. 100 CARDAN TUBE(*)	1	09881364100
14	FLEXIBLE PIN	1	098700855
21	INNER TUBE YOKE	1	08004011
30	SHEAR BOLT LB4	1	08804
31	OUTER BEARING	1	0265140007
32	OUTER BASIC CONE	1	0256040324
33	OUTER SAFETY TUBE	1	0988966B4080
34	INNER SAFETY TUBE	1	0988961B4080
35	INNER BASIC CONE	1	0256040325
36	INNER .BEARING	1	0265140008
37	CHAIN	1	0252000001
51	COMPLTE PUSH BUTTON	1	0986014047
71	YOKE FOR LB4	1	08896904
72	GREASE NIPPLE	1	0984010150
73	STEEL BALL	23	098680104
74	HUB	1	088964A60
75	PUSH PIN SET	1	0986014075
76	NUT AND BOLT M8-1.25x45 10.9	1	Z44902
91	OUTER HALF SHAFT	1	B408002
92	INNER HALF SHAFT	1	B408001098
93	OUTER HALF SHAFT	1	B4080E2
94	INNER HALF SHAFT	1	B4080E1098
95	OUTER HALF SAFETY GUARD	1	083E040802
96	INNER HALF SAFETY GUARD	1	083E040801
97	SAFETY GUARD	1	083E04080

Note: Always check brand of PTO shaft when ordering PTO parts. For other brands then the Binacchi shafts shown above please call the factory @ 877-695-9283.

Decals BX32S

Z94056



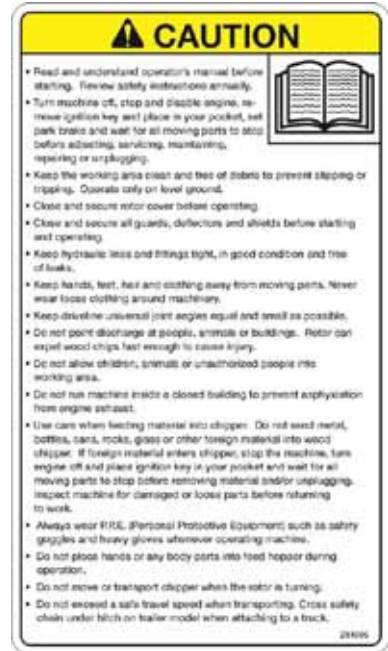
Z94059



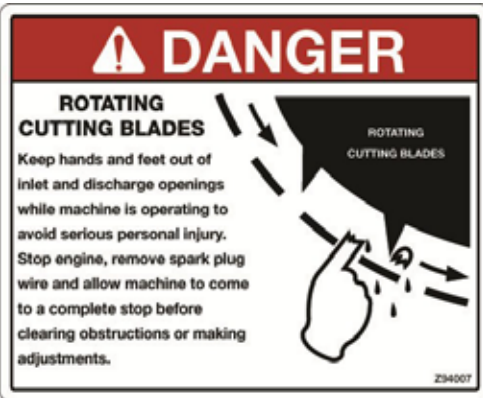
Z94019



Z94006



Z94007



Z94012



Z94009



Z94013

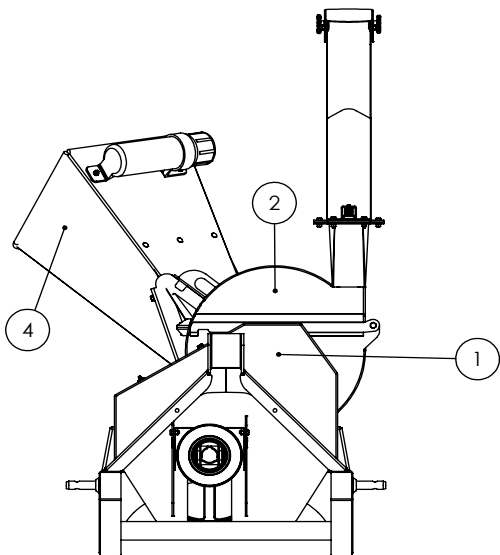


Z94008

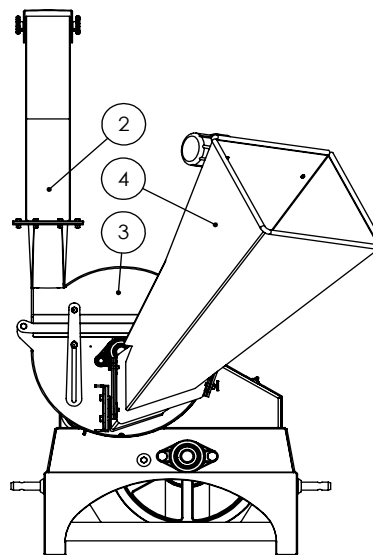


BX32S DECAL BREAKDOWN

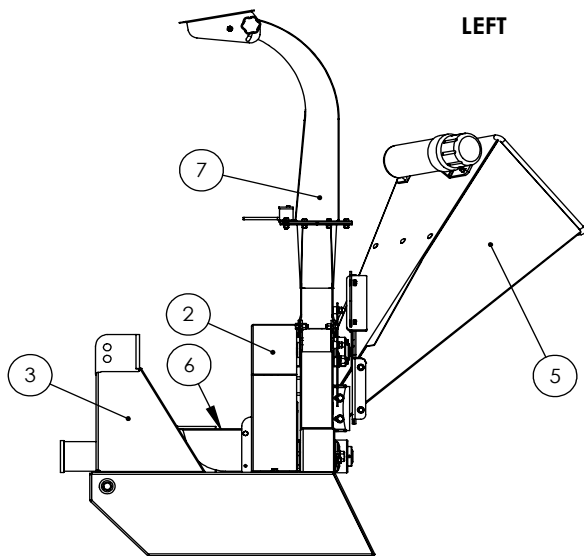
ITEM	PART NO.	DESCRIPTION	QTY
1	Z94056	WALLENSTEIN Decal	2
2	Z94019	1" Dia. Made In Canada	3
3	Z94059	BX32 WALLENSTEIN	2
4	Z94007	DANGER - Rotating Blades	3
5	Z94006	CAUTION - Read Manual	1
6	Z94009	DANGER - Rotating Driveline Hazard	1
7	Z94008	DANGER - Thrown Object Hazard	2
8	Z94012	WARNING - Rotating Part Hazard	1
9	Z94013	DANGER - Missing Guard	1



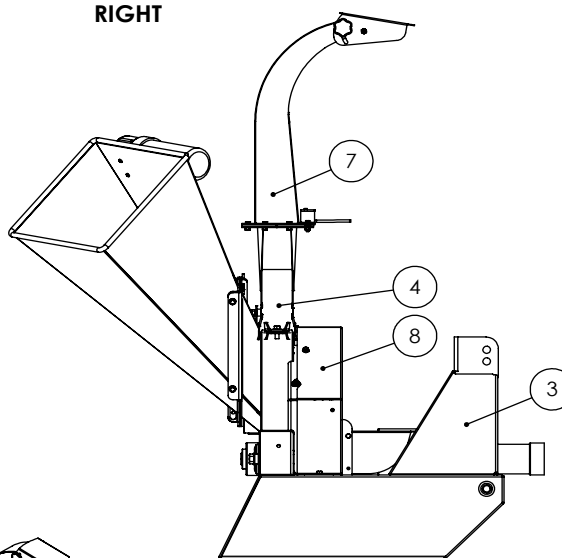
FRONT



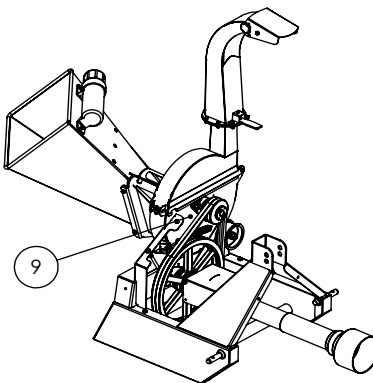
BACK



LEFT



RIGHT



Two Panel Decals BX32S

Z94056



Z94059



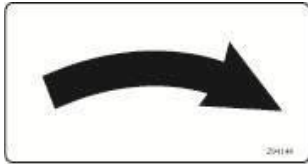
Z94143



Z94019



Z94144



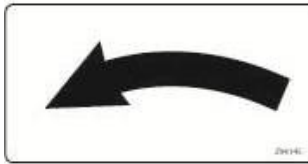
Z94120



Z94119



Z94145



Z94118



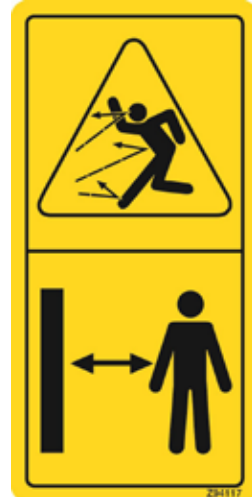
Z94116



Z94127

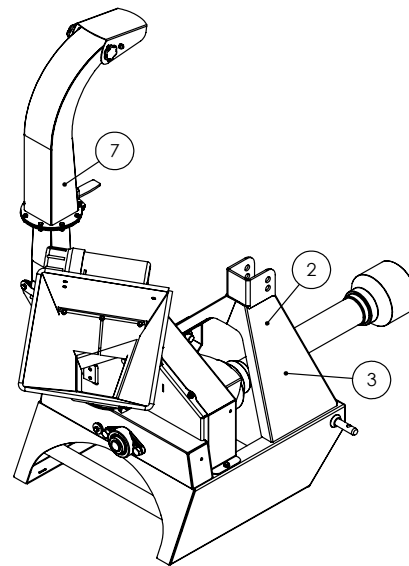
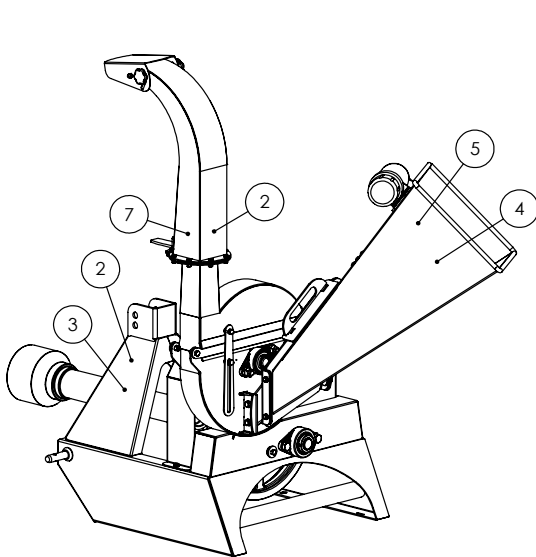
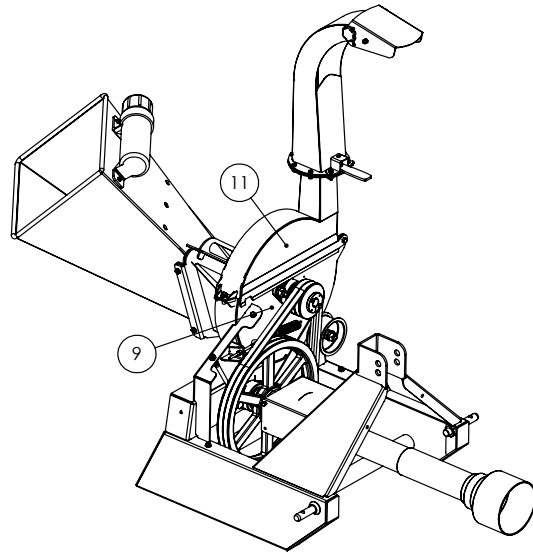
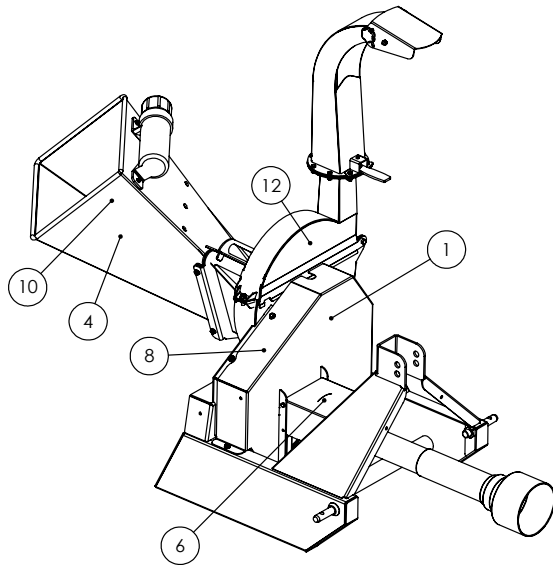


Z94117



BX32S TWO PANEL DECAL BREAKDOWN

ITEM	PART NO.	DESCRIPTION	QTY
1	Z94056	WALLENSTEIN Decal	1
2	Z94019	1" Dia. Made In Canada	3
3	Z94059	BX32 WALLENSTEIN	2
4	Z94120	DANGER - Rotating Blades	2
5	Z94119	CAUTION - Read Manual	1
6	Z94118	DANGER - Rotating Driveline Hazard	1
7	Z94117	DANGER - Thrown Object Hazard	2
8	Z94116	WARNING - Rotating Part Hazard	1
9	Z94127	DANGER - Missing Guard	1
10	Z94143	121 dB Noise Alert	1
11	Z94144	RH Rotation	1
12	Z94145	LH Rotatio	1





WALLENSTEIN Products Manufactured by:

EMB MFG Inc.

4144 Boomer Line
St. Clements, Ontario
Canada N0B 2M0
Phone: 1-877-695-9283
Fax: 519-699-4146
www.embmfg.com