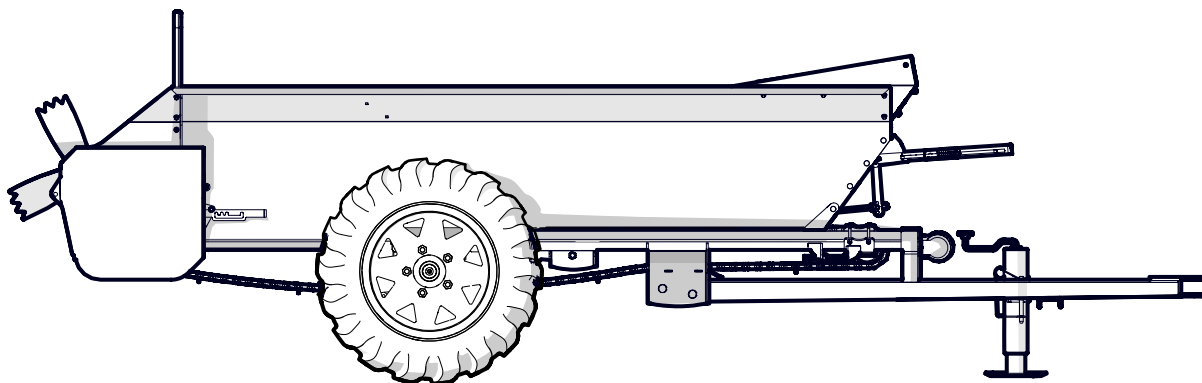


PARTS MANUAL

Serial Number 780G80 & up

MX80G MANURE SPREADER



Foreword

This Wallenstein parts manual is prepared to assist customers in ordering quality OEM replacement parts.

Regular maintenance combined with replacing old, worn or broken parts with the correct OEM parts is essential in prolonging the life of your Wallenstein product. Refer to this manual to identify replacement parts.

To order parts, contact your Wallenstein dealer or distributor. Have the product model and serial number handy.

If your dealer is no longer available, please go to our website: <http://wallensteinequipment.com> and click on the [Dealer Locator](#) to find the nearest dealer.

All information contained in this parts manual is current as per the revision date at the bottom of the page. Wallenstein reserves the right to change product specifications at any time without notice.

If your product specifications differ from those contained in this manual, contact Wallenstein for current information.

Reproduction of information in this parts manual is prohibited without prior written permission from Wallenstein Equipment Inc.

Wallenstein Equipment Inc. • © 2021

WARNING!

Refer to the operators manual for safe operation and maintenance.

Maintenance should be performed by trained personnel only.

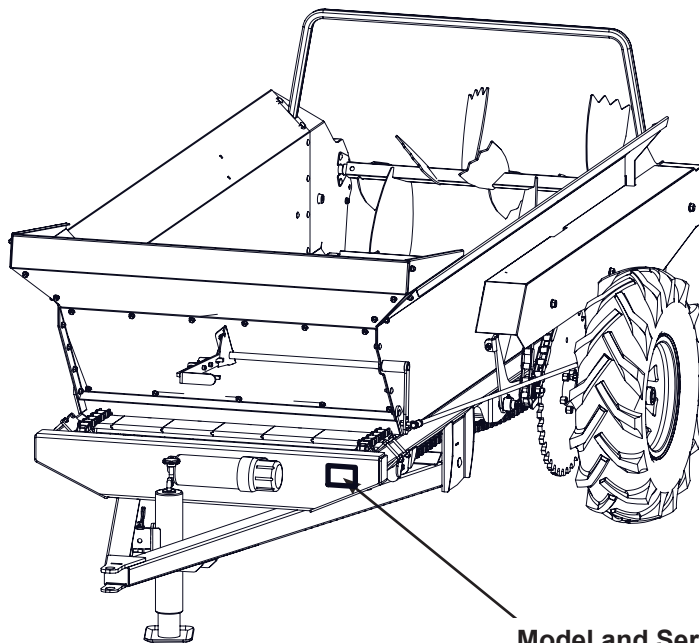
Serial Number Location

Always provide the model and serial number of your Wallenstein product when ordering parts or requesting service or other information. This information is found on the product information plate as shown below.

Record your product information here for future reference.

Model _____

Serial Number _____



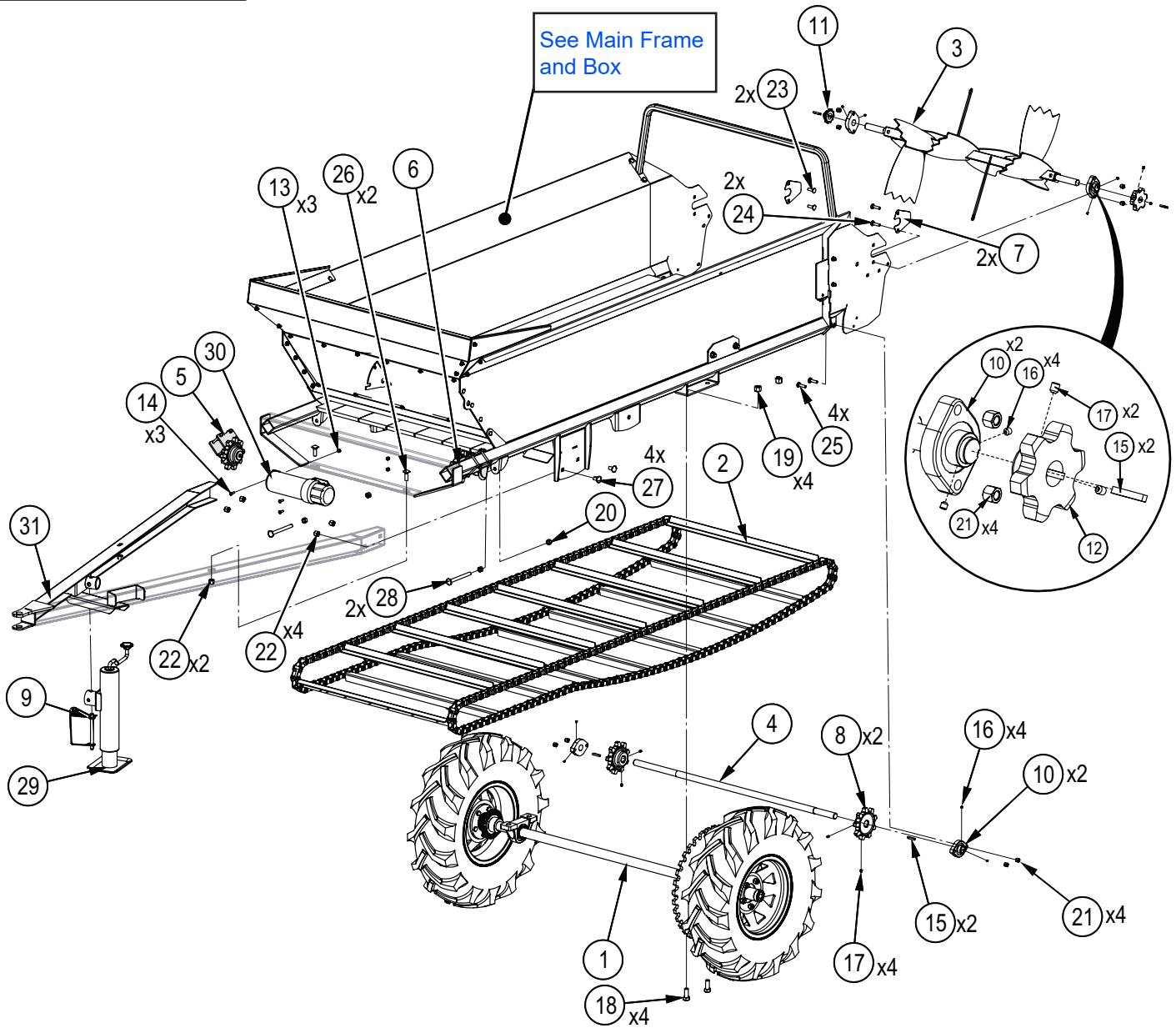
Model and Serial
Number Location

www.wallensteinequipment.com

Contents

Main Parts.....	4
Main Frame and Box.....	5
Ground Drive Box Assembly	6
Apron Chain and Front Sprockets	7
Ground Drive	8
Axle Assembly.....	9
Ground Drive Engagement	10
Drive Engagement Handle	11
Pillow Block Detail	11
Adjustable Input Shaft Assembly	12
Apron Chain Ratchet	13
Apron Drive Ratchet Mechanism.....	14
Drive Chain Tensioner	15
Idler Assembly.....	15
Decal Layout.....	16
Accessories	18
Common Bolt Torque Values	19

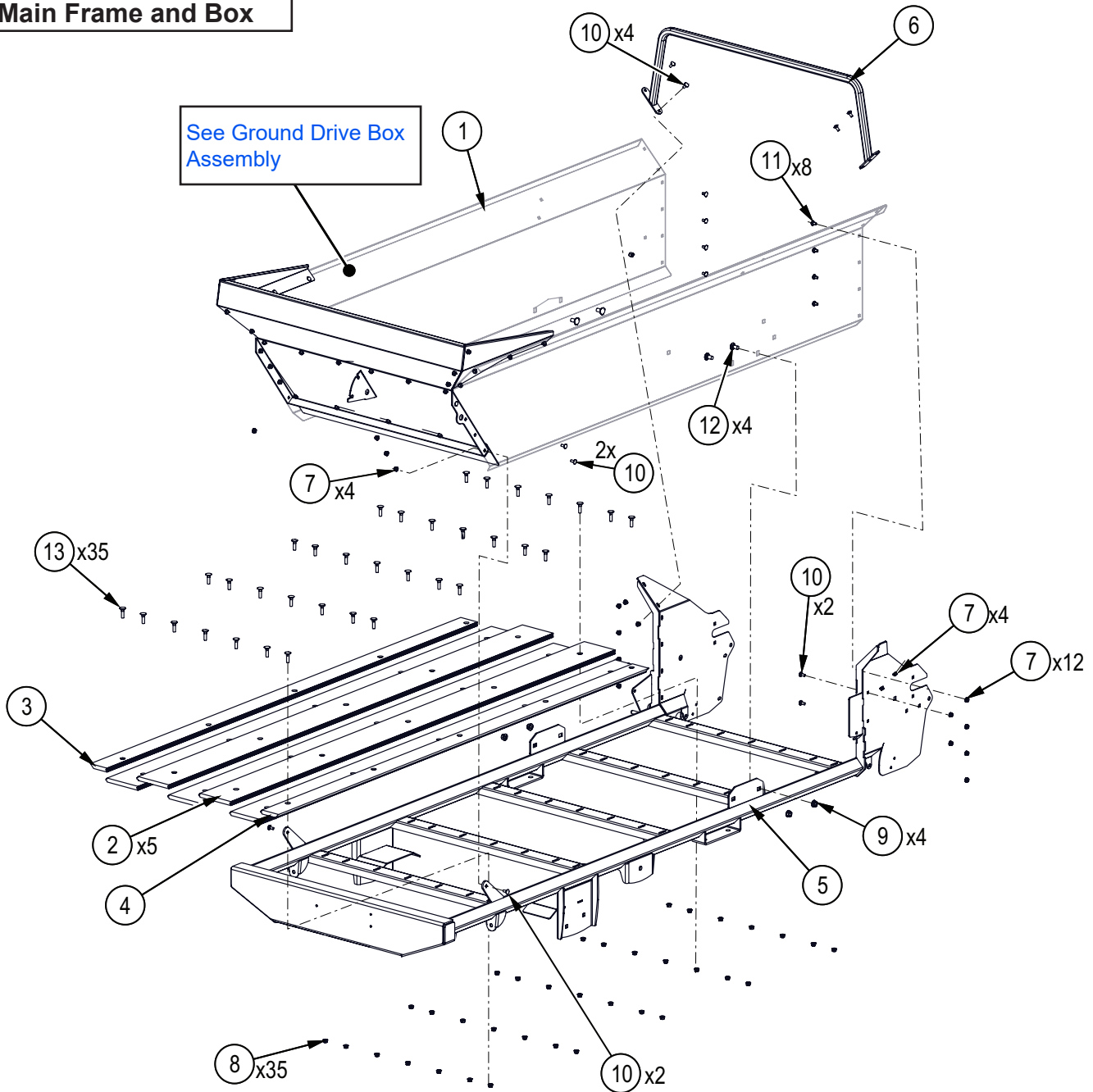
Main Parts



Item No.	Part No.	Description	Qty
1	7014A451	Assembly, Ground Drive Axle	1
2	7014A455	Assembly, Apron Chain 662	1
3	7015W516	Beater Bar, PTO Drive	1
4	7015M503	Shaft, Rear Apron Drive	1
5	7015A505	Assy, Front Apron Sprocket RH	1
6	7015A506	Assy, Front Apron Sprocket LH	1
7	7015L560	Plate, Beater Bar Capture	2
8	7015M501	Sprocket, Apron Chain Rear	2
9	Z12441	Snap Lock Pin, 1/2" x 4-1/2"	1
10	Z25102	2-Bolt Flange Bearing, SBFD205-16	4
11	Z42803	Sprocket, #50 x 11 x 1"	1
12	Z42807	Sprocket, #550 x 6 x 1" w/ Key	1
13	Z72211	Hex Lock Nut, 1/4NC	3
14	Z78301	Machine Screw, 1/4NC x 3/4"	3
15	Z46532	Key, 1/4" x 1/4" x 1-1/2"	4
16	Z74112	Set Screw, 1/4NF x 1/4"	8

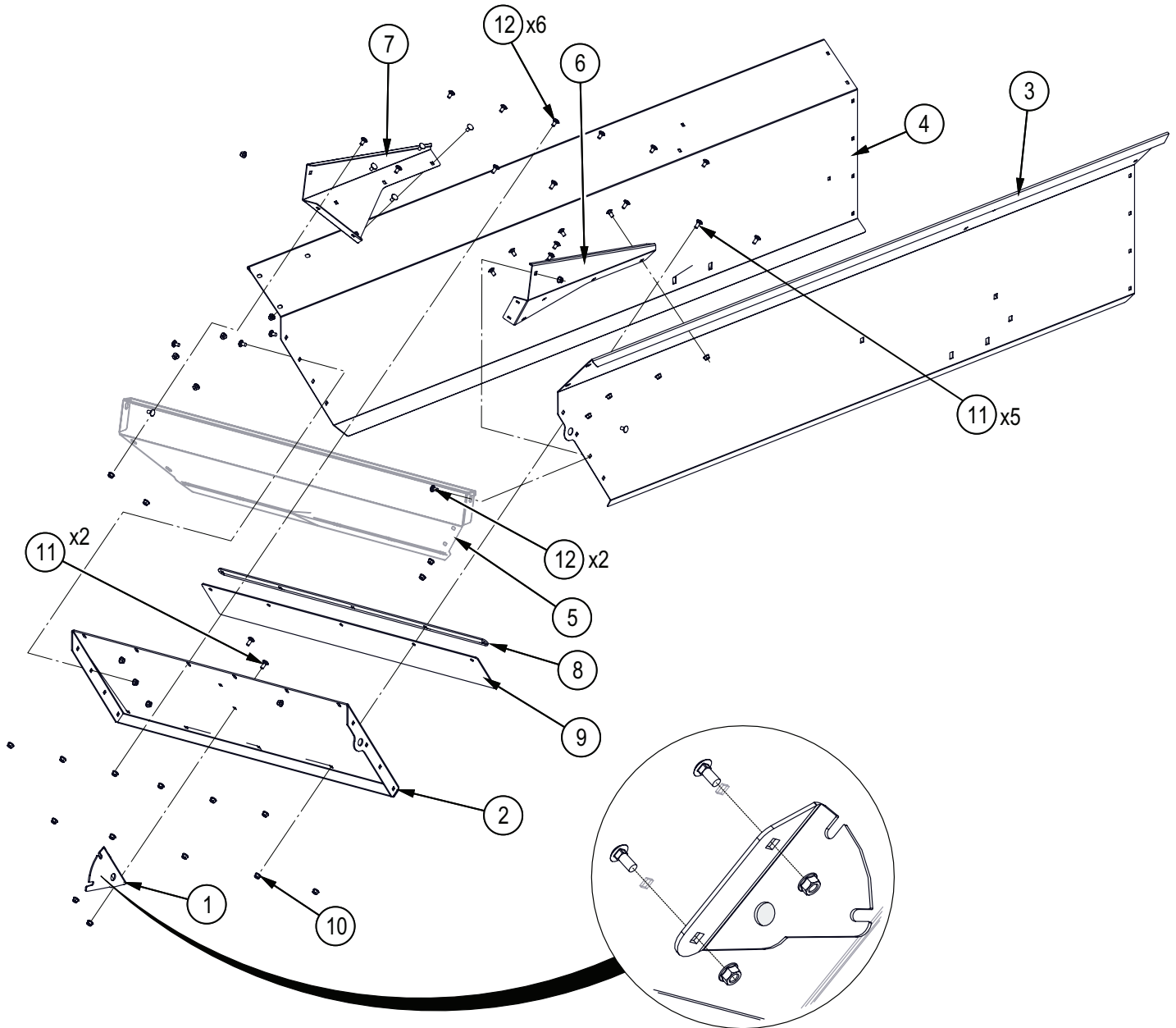
Item No.	Part No.	Description	Qty
17	Z74121	Set Screw, 5/16NC x 3/8"	6
18	Z71615	Hex Bolt, 5/8NC x 1-1/2"	4
19	Z72261	Hex Lock Nut, 5/8NC	4
20	Z72151	Hex Nut, 1/2NC	4
21	Z72231	Hex Lock Nut, 3/8NC	8
22	Z72251	Hex Lock Nut, 1/2NC	6
23	Z76232	Carriage Bolt, 3/8NC x 1-1/4"	2
24	Z76234	Carriage Bolt, 3/8NC x 1-1/2"	2
25	Z76239	Carriage Bolt, 3/8NC x 1-1/2" Extra Short Neck	4
26	Z76251	Carriage Bolt, 1/2NC x 1-1/2"	2
27	Z76252	Carriage Bolt, 1/2NC x 1"	4
28	Z76254	Carriage Bolt, 1/2NC x 5-1/2" Full Threads	2
29	Z91513	Trailer Jack, Top Wind x 2000lbs	1
30	Z96503	Manual Tube, 3-1/2" Short	1
31	7015W502	MX80 Hitch Frame	1

Main Frame and Box



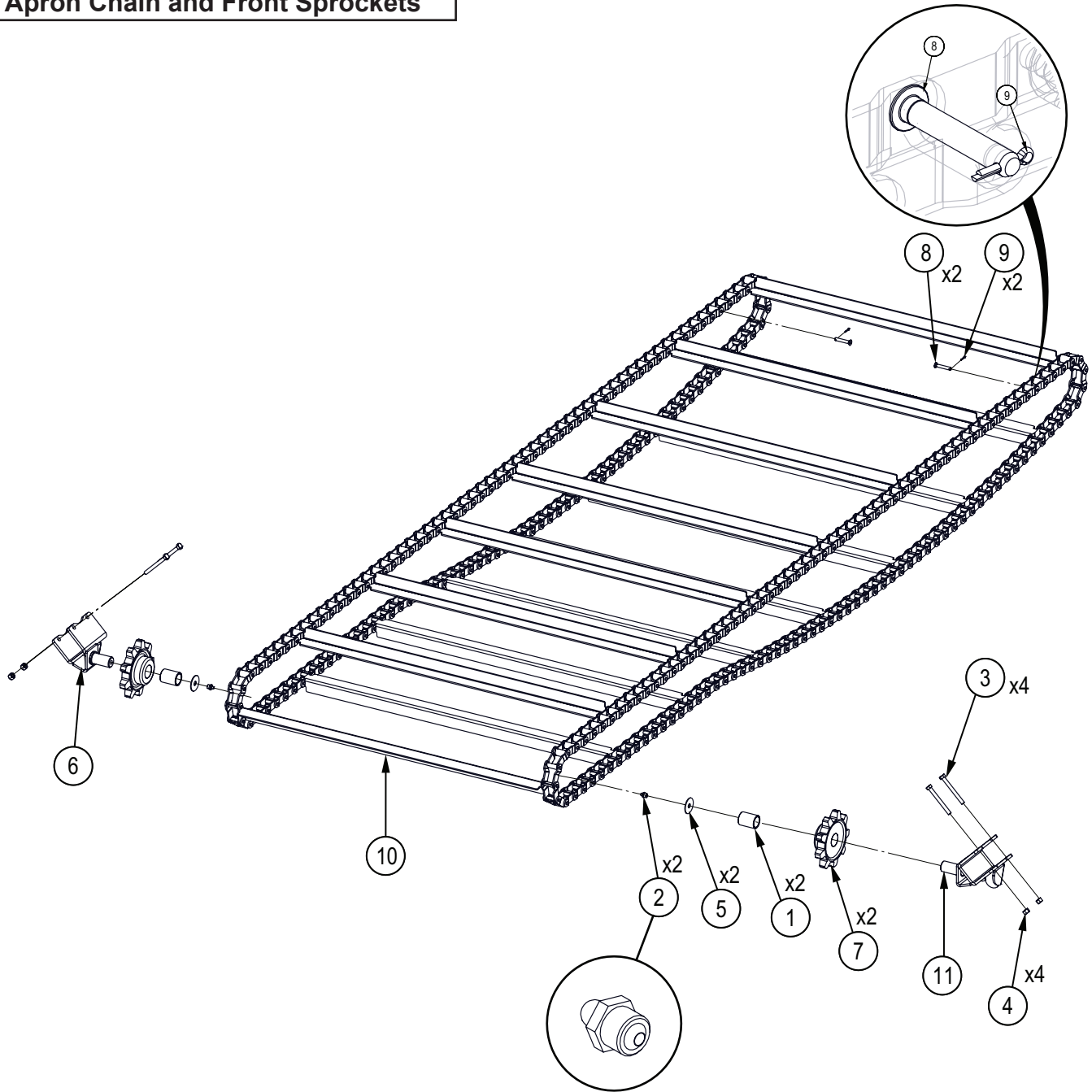
Item No.	Part No.	Description	Qty
1	7014A401	Assembly, Ground Drive Box	1
2	7015S505	Floor Board, Center	5
3	7015S506	Floor Board, Right End	1
4	7015S507	Floor Board, Left End	1
5	7015W501	MX80 Main Frame	1
6	7015W517	Crossbar	1
7	Z72521	Serrated Flange Locknut, 5/16NC	18
8	Z72531	Serrated Flange Locknut, 3/8NC	35
9	Z72551	Serrated Flange Locknut, 1/2NC	4
10	Z76221	Carriage Bolt, 5/16NC x 3/4"	10
11	Z76222	Carriage Bolt, 5/16NC x 5/8"	8
12	Z76252	Carriage Bolt, 1/2NC x 1"	4
13	Z76631	Plow Bolt, 3/8NC x 1-1/2"	35

Ground Drive Box Assembly



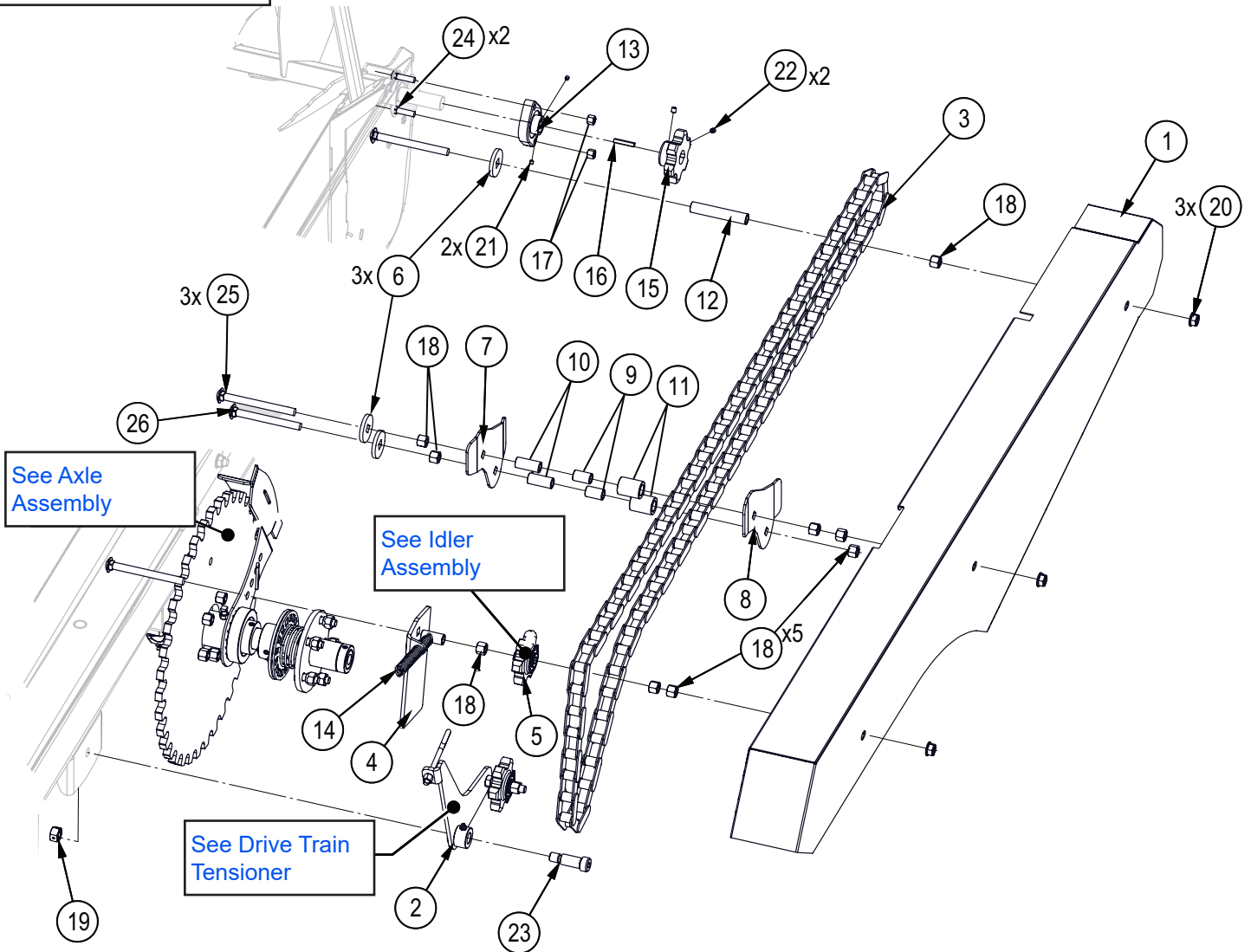
Item No.	Part No.	Description	Qty
1	7014L453	Engaging Arm Mounting Bracket	1
2	7014L469	Panel, Front	1
3	7015L505	Panel, Box Side LH	1
4	7015L506	Panel, Box Side RH	1
5	7015L540	Splash Guard, Top	1
6	7015L542	Splash Guard, LH	1
7	7015L543	Splash Guard, RH	1
8	7015L561	Clamp, Floor Seal	1
9	7015S508	Floor Seal	1
10	Z72521	Serrated Flange Locknut, 5/16NC	31
11	Z76221	Carriage Bolt, 5/16NC x 3/4"	7
12	Z76222	Carriage Bolt, 5/16NC x 5/8"	24

Apron Chain and Front Sprockets



Item No.	Part No.	Description	Qty
1	Z26301	Bronze Bushing, 1" ID x 1-1/4" OD x 1-5/8" Long	2
2	Z29201	Grease Fitting, MP02	2
3	Z71230	Hex Bolt, 5/16NC x 3"	4
4	Z72221	Hex Lock Nut, 5/16NC	4
5	Z73232	Extra Wide Washer, 3/8"	2
6	7015W507	Bracket, Front Sprocket RH	1
7	7015M519	Sprocket, Apron Chain Front	2
8	7011M302	Pin, 662 Chain Clevis	2
9	Z12304	Cotter Pin, 3/32" x 1/2"	2
10	7014S452	Chain, Apron 662, 121 Links	1
11	7015W508	Beater Bar, PTO Drive	1

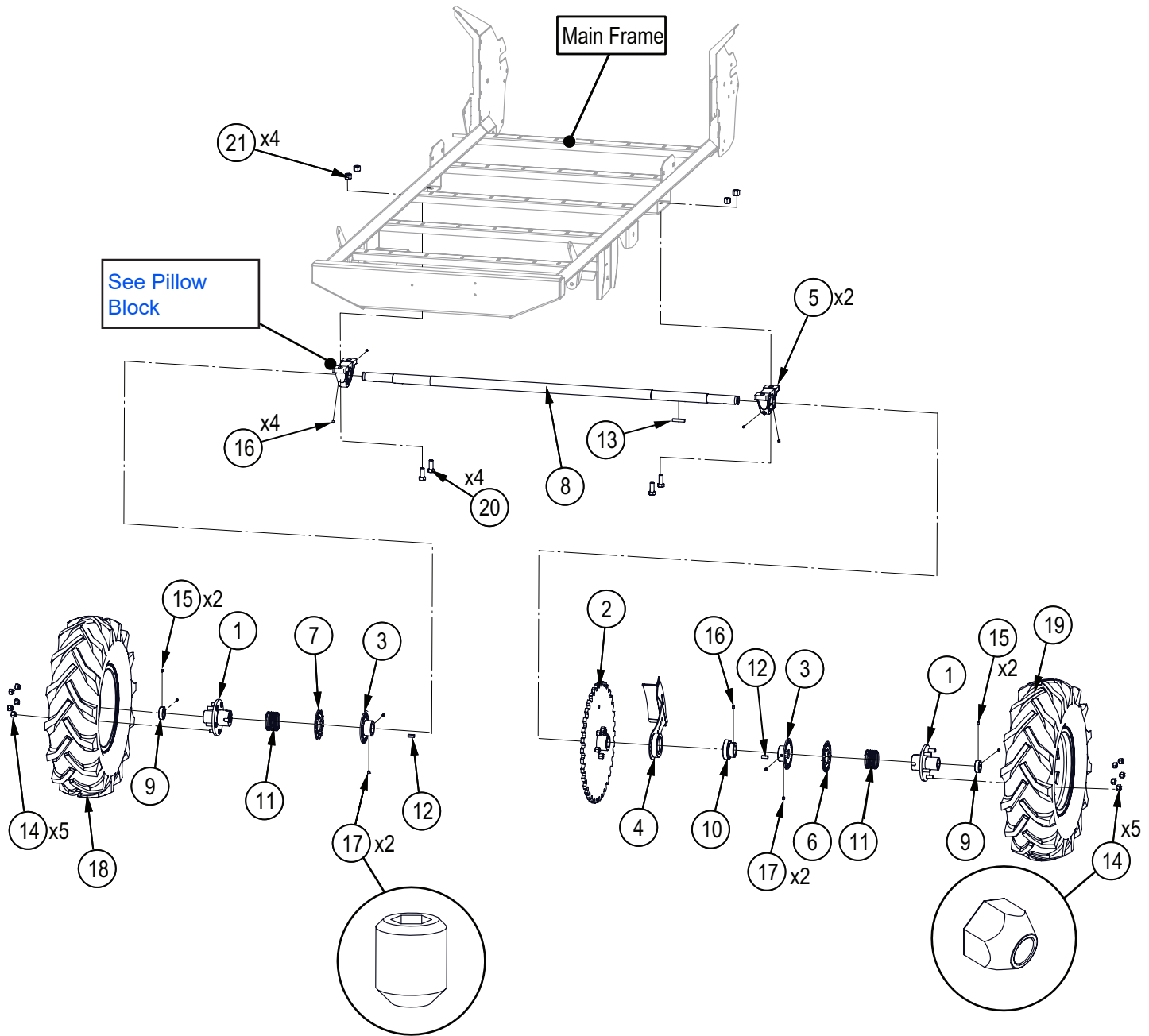
Ground Drive



Item No.	Part No.	Description	Qty
1	7014W450	Shield, Drive Chain	1
2	7014A454	Tensioner, Drive Chain	1
3	Z42304	Roller Chain, #550 x 42 Links	1
4	7014W457	Plate, Idler/Tensioner Mount	1
5	7014A453	Idler Assembly, #550 Chain	1
6	7014L458	Washer, Square Head	3
7	7014L459	RH Guide, Chain	1
8	7014L467	LH Guide, Chain	1
9	7014M460	Spacer, 1-1/4	2
10	7014M463	Spacer, 1-3/4	2
11	7014M464	Roller, Chain Guide	2
12	7014M465	Spacer, Rear Shield	1
13	Z25102	2-Bolt Flange Bearing, SBFD205-16	1
14	Z31401	Ext Spring, 3/4" OD x 4" x 0.105"	1

Item No.	Part No.	Description	Qty
15	Z42807	Sprocket, #550 x 6 x 1" w/ Key	1
16	Z46532	Key, 1/4" x 1/4" x 1-1/2"	1
17	Z72231	Hex Lock Nut, 3/8NC	2
18	Z72251	Hex Lock Nut, 1/2NC	9
19	Z72263	Hex CTR-lock Nut, 5/8NC	1
20	Z72551	Serrated Flange Locknut, 1/2NC	3
21	Z74112	Set Screw, 1/4NF x 1/4"	2
22	Z74121	Set Screw, 5/16NC x 3/8"	2
23	Z75571	Shoulder Bolt, 3/4" x 1-1/2"	1
24	Z76234	Carriage Bolt, 3/8NC x 1-1/2"	2
25	Z762515	Carriage Bolt, 1/2NC x 5-1/2"	3
26	Z76257	Carriage Bolt, 1/2NC x 5"	1

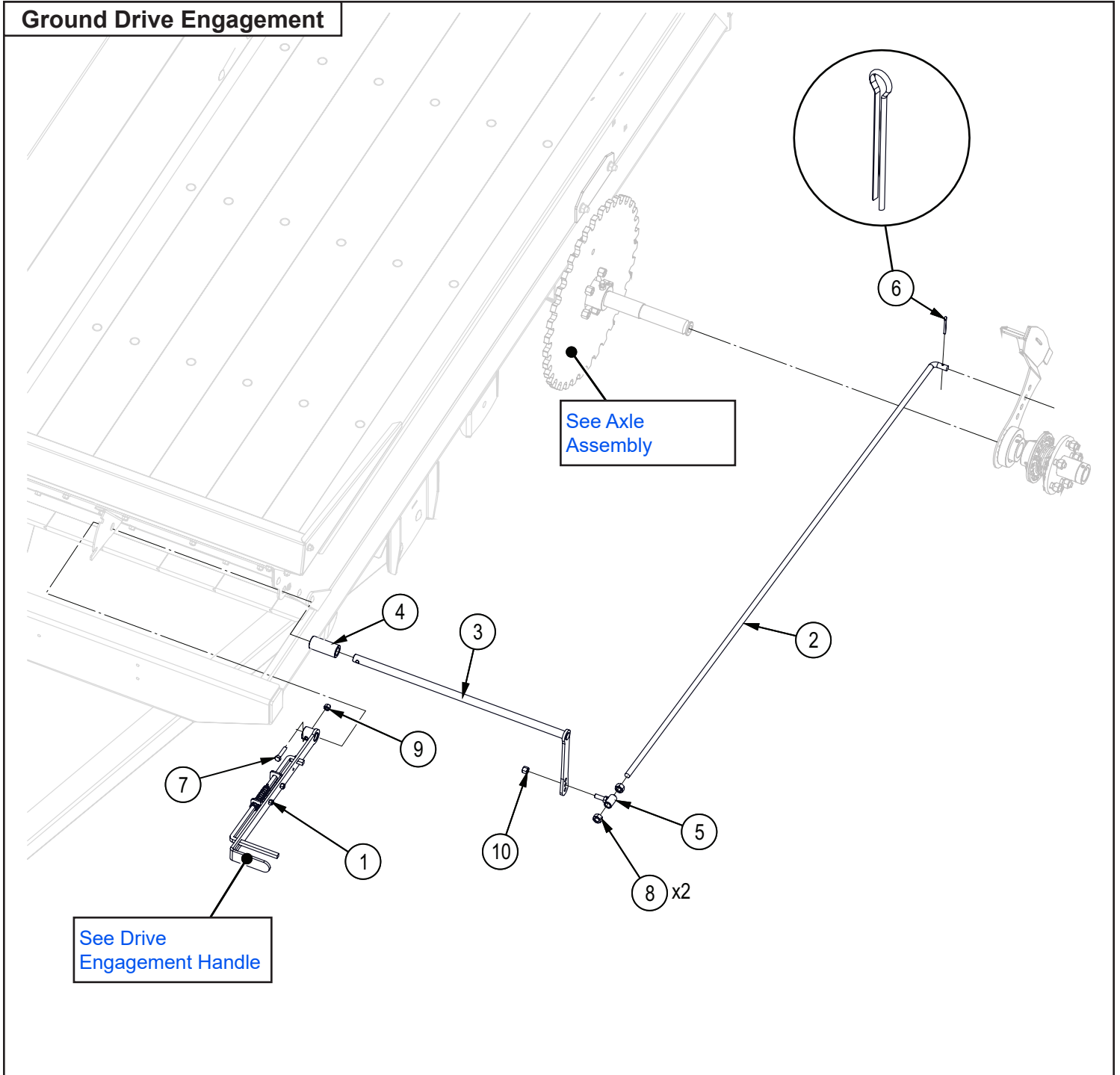
Axle Assembly



Item No.	Part No.	Description	Qty
1	7014W460	Hub, 5-Bolt Ground Drive	2
2	7014W455	Assy, Main Ground Drive Sprocket	1
3	7014W454	Reciever, GD Ratchet	2
4	7014W451	Arm, Drive Chain Deflector	1
5	Z24101	Pillow Block, UCP208-24	2
6	7014L452	Driver, GD Ratchet LH	1
7	7014L468	Driver, GD Ratchet RH	1
8	7014M452	Axle, Ground Drive	1
9	7014M456	Collar, Wheel Stop	2
10	Z21901	Ball Bearing, CSA208-24 x Taper Lock	1
11	Z32402	Comp Spring, 3" OD x 4-1/2" x 0.145"	2

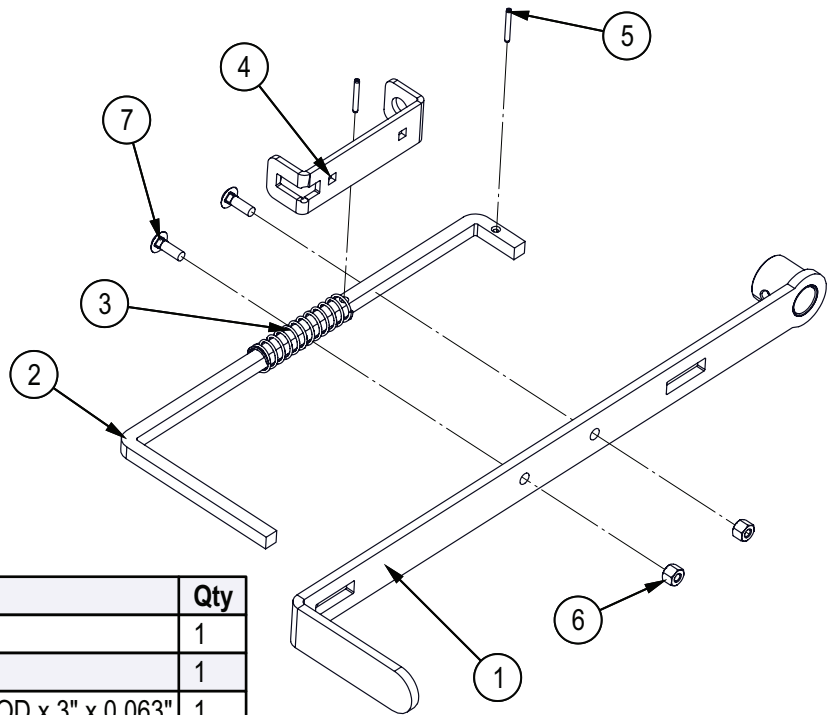
Item No.	Part No.	Description	Qty
12	Z46553	Key, 3/8" x 3/8" x 1"	2
13	Z46555	Key, 3/8" x 3/8" x 2"	1
14	Z72931	Lug Nut, 1/2NF	10
15	Z74121	Set Screw, 5/16NC x 3/8"	4
16	Z74122	Set Screw, 5/16NF x 3/8"	5
17	Z74131	Set Screw, 3/8NC x 3/8"	4
18	Z91305	7.60-15SL 6PR American Farmer RH	1
19	Z91306	7.60-15SL 6PR American Farmer LH	1
20	Z71615	Hex Bolt, 5/8NC x 1-1/2"	4
21	Z72261	Hex Lock Nut, 5/8NC	4

Ground Drive Engagement



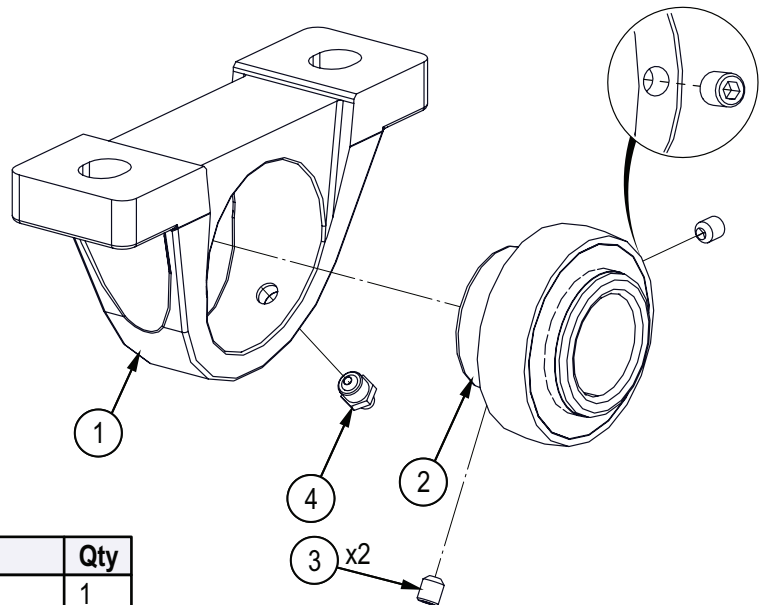
Item No.	Part No.	Description	Qty
1	7014A450	Handle, Drive Engagement	1
2	7014S451	Engaging Rod	1
3	7014W452	Rod, Drive Engagement Connection	1
4	7014M459	Engaging Shaft Spacer	1
5	7014W458	Joint, Engagement Linkage	1
6	Z12321	Cotter Pin, 3/16" x 1-3/4"	1
7	Z71215	Hex Bolt, 5/16NC x 1-1/2"	1
8	Z72151	Hex Nut, 1/2NC	2
9	Z72221	Hex Lock Nut, 5/16NC	1
10	Z72231	Hex Lock Nut, 3/8NC	1

Drive Engagement Handle



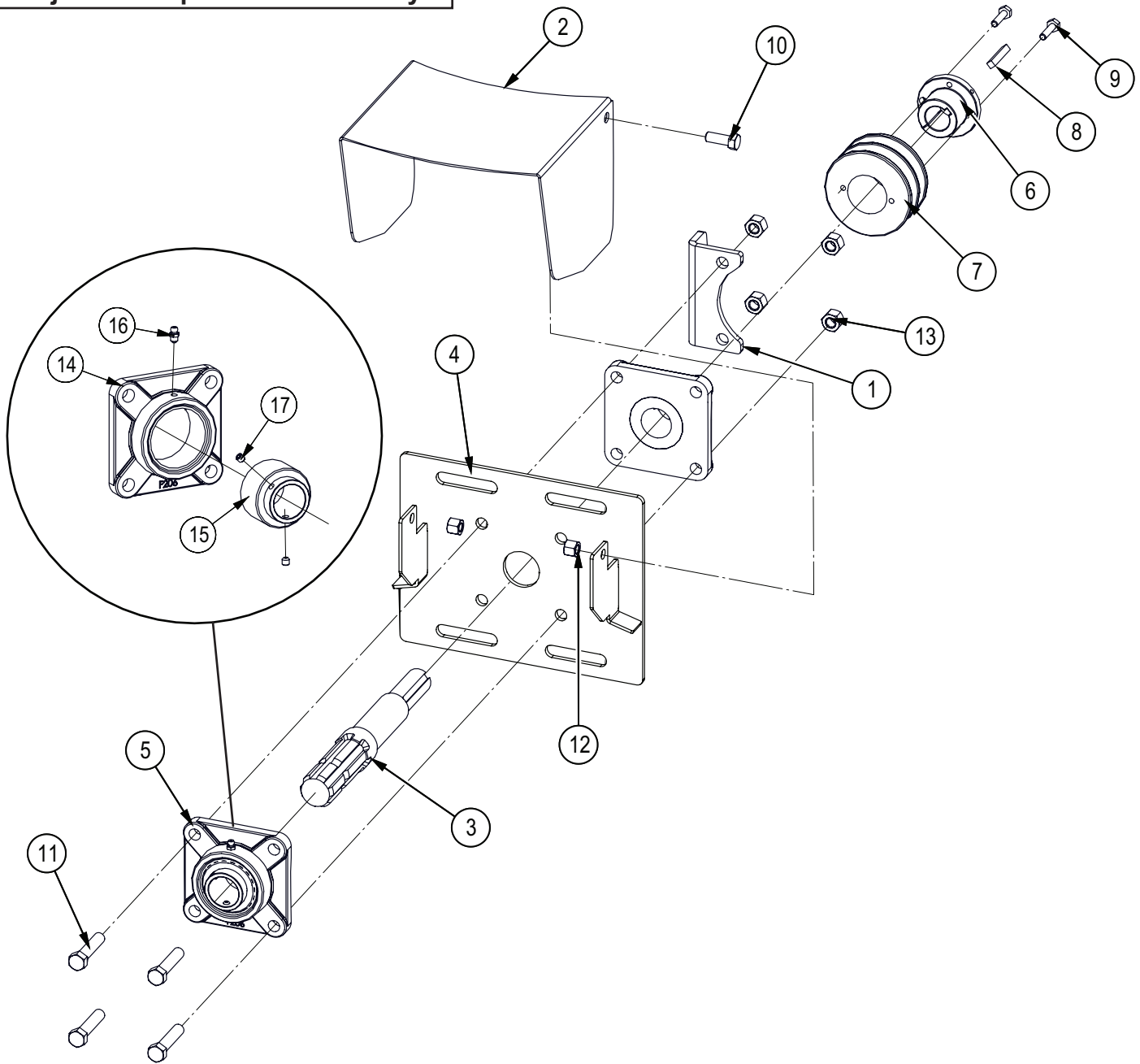
Item No.	Part No.	Description	Qty
1	7014W453	Handle, Engagement	1
2	7014S450	Latch Rod	1
3	Z32301	Comp Spring, 0.720" OD x 3" x 0.063"	1
4	7014L465	Engaging Arm Guide	1
5	Z14131	Roll Pin, 1/8" x 1"	2
6	Z72211	Hex Lock Nut, 1/4NC	2
7	Z76211	Carriage Bolt, 1/4NC x 3/4"	2

Pillow Block



Item No.	Part No.	Description	Qty
1	Z24101-1	Housing, P208 for Z24101	1
2	Z24101-2	Bearing Insert, UC208-24 for Z24101	1
3	Z74122	Set Screw, 5/16NF x 3/8"	2
4	Z29201	Grease Fitting, MP02	1

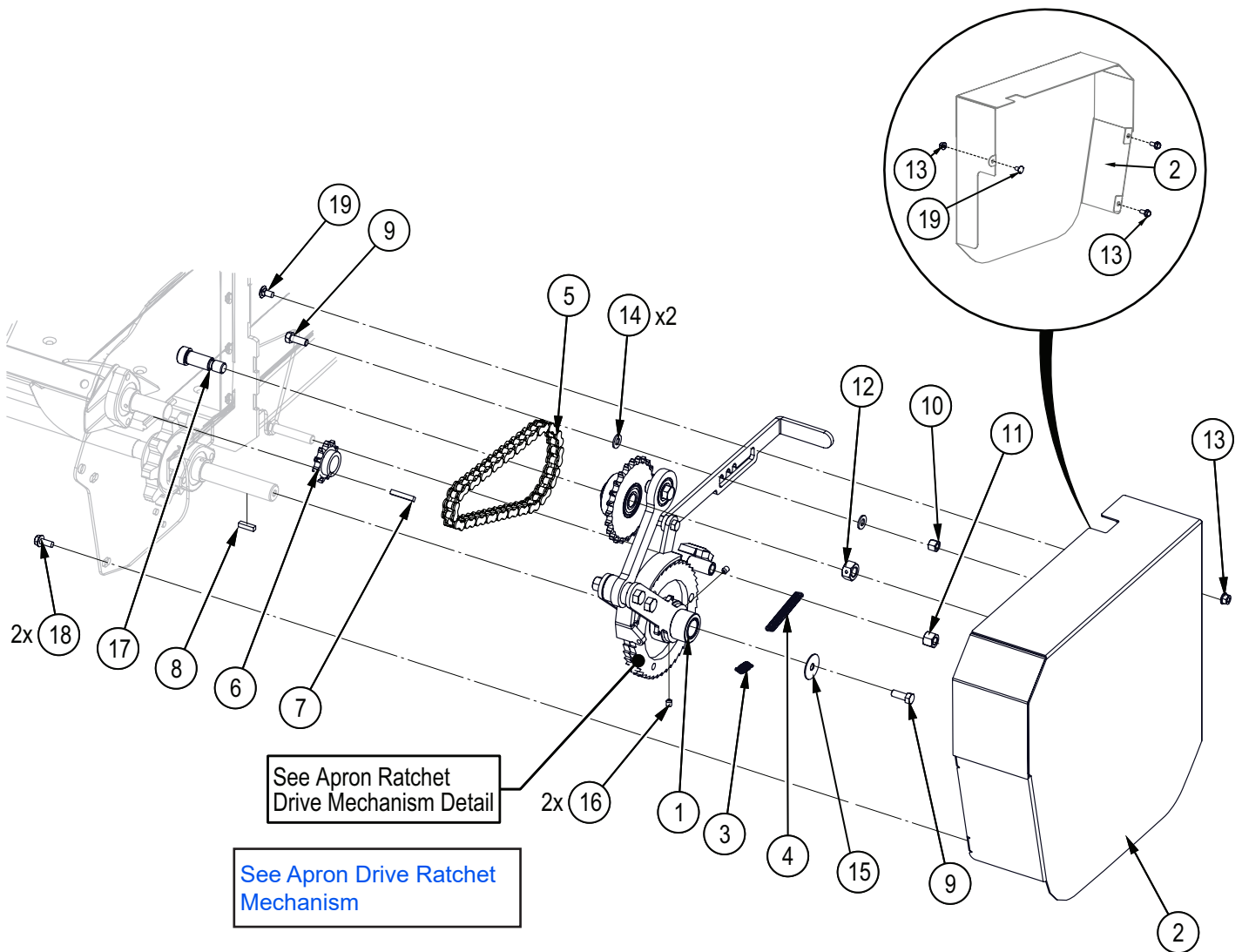
Adjustable Input Shaft Assembly



Item No.	Part No.	Description	Qty
1	7015L539	Bracket, Belt Tightener	1
2	7015L541	PTO Cover	1
3	7015M516	PTO Spline	1
4	7015W504	PTO Spline Plate	1
5	Z25202	4-Bolt Flange Bearing, UCF206-20	2
6	Z41510	Hub, L x 1"	1
7	Z41704	Double Sheave, 2MBL35 x L	1
8	Z46532	Key, 1/4" x 1/4" x 1-1/2"	1
9	Z71110	Hex Bolt, 1/4NC x 1"	2

Item No.	Part No.	Description	Qty
10	Z71310	Hex Bolt, 3/8NC x 1"	2
11	Z71420	Hex Bolt, 7/16NC x 2"	4
12	Z72231	Hex Lock Nut, 3/8NC	2
13	Z72241	Hex Lock Nut, 7/16NC	4
14	F206-Casting	F206-Casting	2
15	Z25202-1	Bearing Insert, UC206-20 for Z25202	2
16	Z29202	Grease Fitting, 1/4N	2
17	Z74112	Set Screw, 1/4NF x 1/4"	4

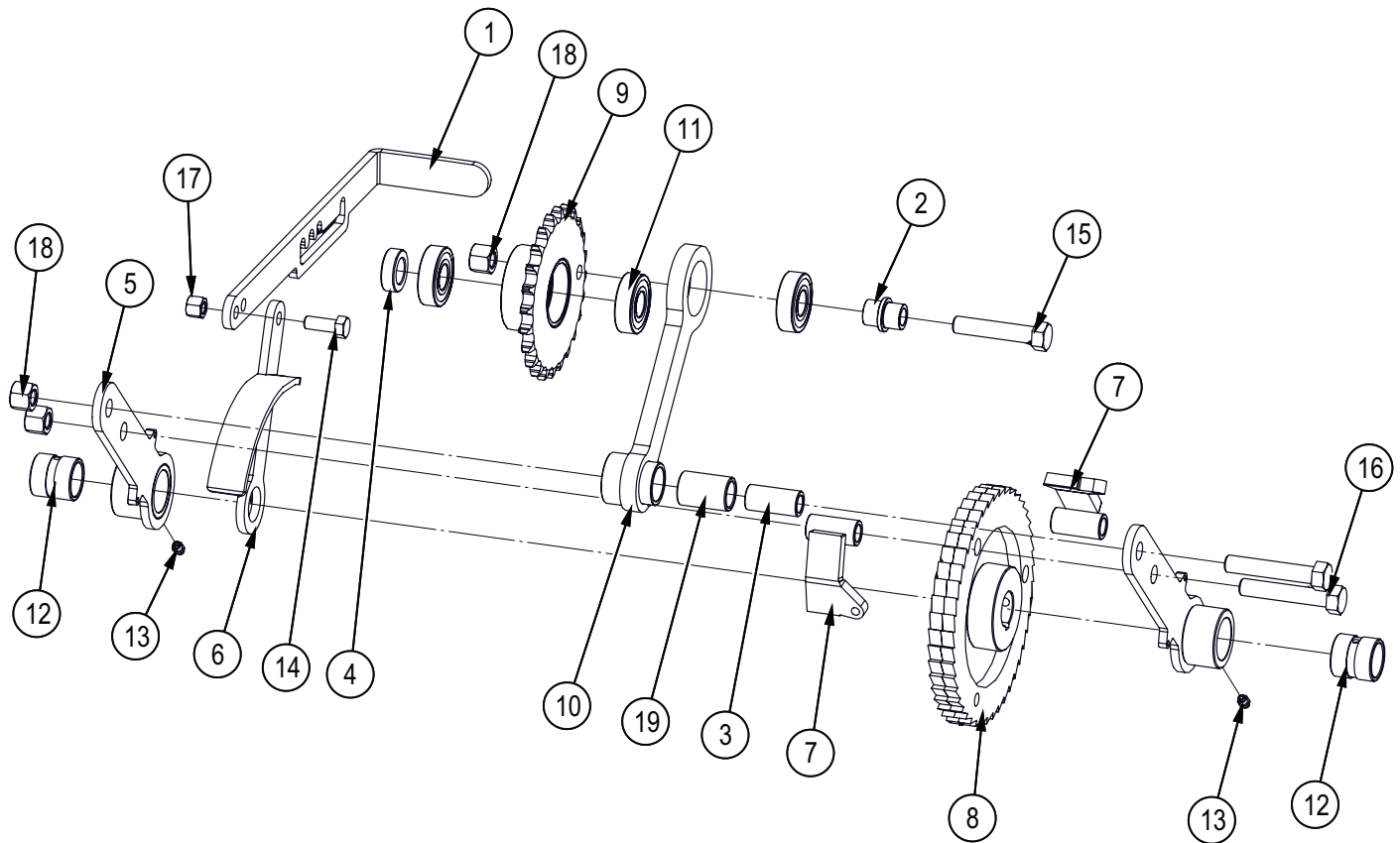
Apron Chain Ratchet



Item No.	Part No.	Description	Qty
1	7015A507	Apron Ratchet Drive Mechanism	1
2	7015W518	Shield, Apron Drive	1
3	Z31201	Ext Spring, 1/2" OD x 1-1/2" x .048"	1
4	Z31304	Ext Spring, 1/2" OD x 2-1/2" x .063"	1
5	Z42141	Roller Chain, #50 x 22	1
6	Z42803	Sprocket, #50 x 11 x 1"	1
7	Z46532	Key, 1/4" x 1/4" x 1-1/2"	1
8	Z46533	Key, 1/4" x 1/4" x 1"	1
9	Z71310	Hex Bolt, 3/8NC x 1"	2
10	Z72231	Hex Lock Nut, 3/8NC	1

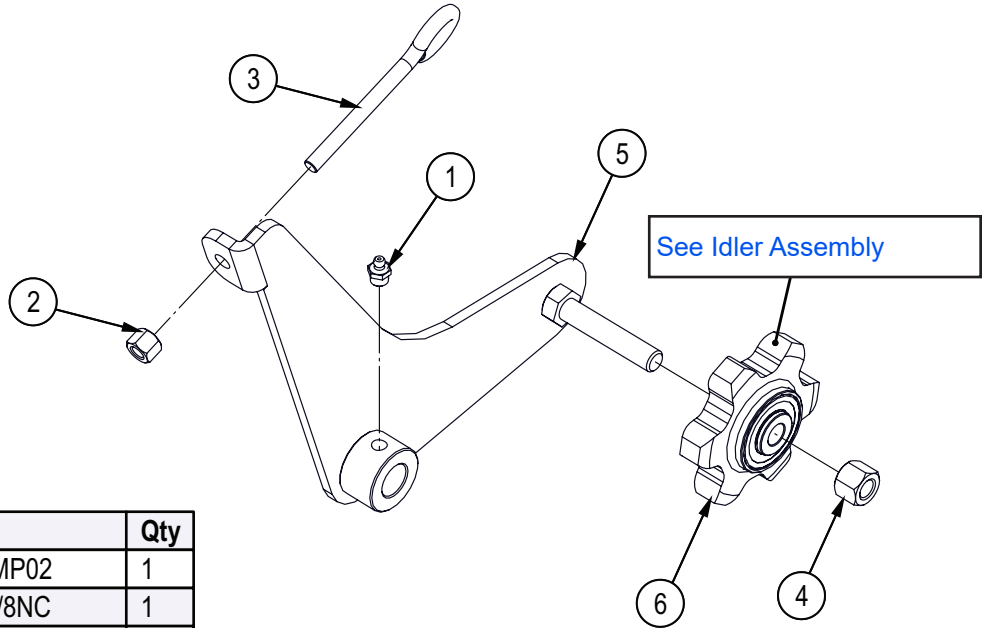
Item No.	Part No.	Description	Qty
11	Z72251	Hex Lock Nut, 1/2NC	1
12	Z72263	Hex CTR-lock Nut, 5/8NC	1
13	Z72521	Serrated Flange Locknut, 5/16NC	1
14	Z73131	SAE Washer, 3/8"	2
15	Z73232	Extra Wide Washer, 3/8"	1
16	Z74121	Set Screw, 5/16NC x 3/8"	2
17	Z75571	Shoulder Bolt, 3/4" x 1-1/2"	1
18	Z76121	Flange Bolt, 5/16NC x 3/4"	2
19	Z76222	Carriage Bolt, 5/16NC x 5/8"	1

Apron Drive Ratchet Mechanism



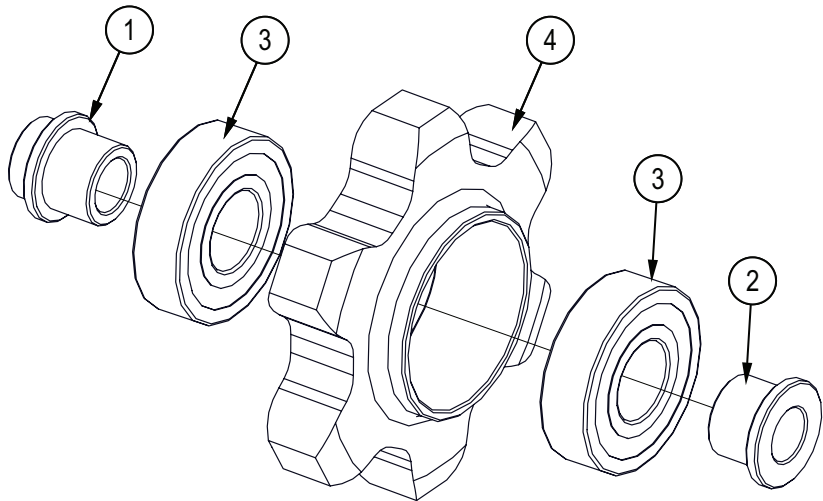
Item No.	Part No.	Description	Qty
1	7015L524	Handle, Ratchet Speed Set	1
2	7015M512	Flange Bushing	1
3	7015M514	Bushing, Link Arm Bolt	1
4	7015M517	Bolt Spacer	1
5	7015W510	Arm, Apron Ratchet Drive	2
6	7015W511	Slide, Speed Adjuster	1
7	7015W512	Dog, Ratchet	2
8	7015W513	Ratchet, Apron Drive	1
9	7015W514	#50 24Tooth Sprocket Hub	1
10	7015W515	Arm, Ratchet Drive Link	1
11	Z21204	Ball Bearing, 1635-2RS x Self Aligning	3
12	Z26303	Bronze Bushing, 1" ID x 1-1/4" OD x 1-1/4" Long Grooved OD	2
13	Z29202	Grease Fitting, 1/4NF	2
14	Z71310	Hex Bolt, 3/8NC x 1"	1
15	Z71525	Hex Bolt, 1/2NC x 2-1/2"	1
16	Z71527	Hex Bolt, 1/2NC x 2-3/4"	2
17	Z72231	Hex Lock Nut, 3/8NC	1
18	Z72251	Hex Lock Nut, 1/2NC	3
19	Z26201	Bronze Bushing, 3/4" ID x 1" OD x 1-1/2" Long	1

Drive Chain Tensioner



Item No.	Part No.	Description	Qty
1	Z29201	Grease Fitting, MP02	1
2	Z72231	Hex Lock Nut, 3/8NC	1
3	Z76531	Eye Bolt, 3/8NC x 3-1/2"	1
4	Z72251	Hex Lock Nut, 1/2NC	1
5	7014W459	Arm, Tensioner	1
6	7014A453	Idler Assembly, #550 Chain	1

Idler Assembly

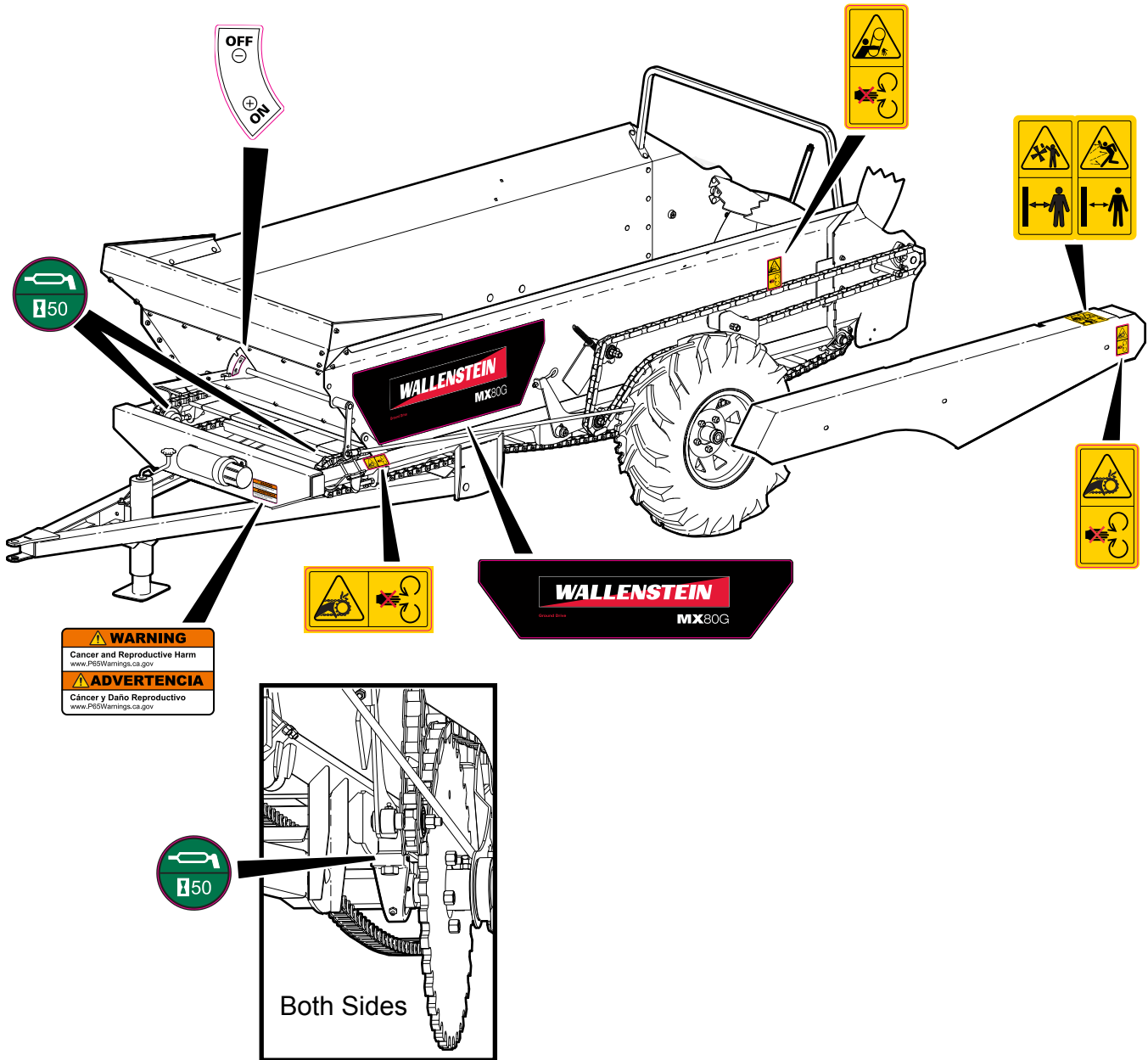


Item No.	Part No.	Description	Qty
1	7014M450	Bushing, 1/2x3/4 Flanged	1
2	7014M468	Bushing, 1/2x3/4x5/8Lg Flanged	1
3	Z21204	Ball Bearing, 1635-2RS x Self Aligning	2
4	Z42806	Sprocket, #550 x 6 x 1-3/4"	1

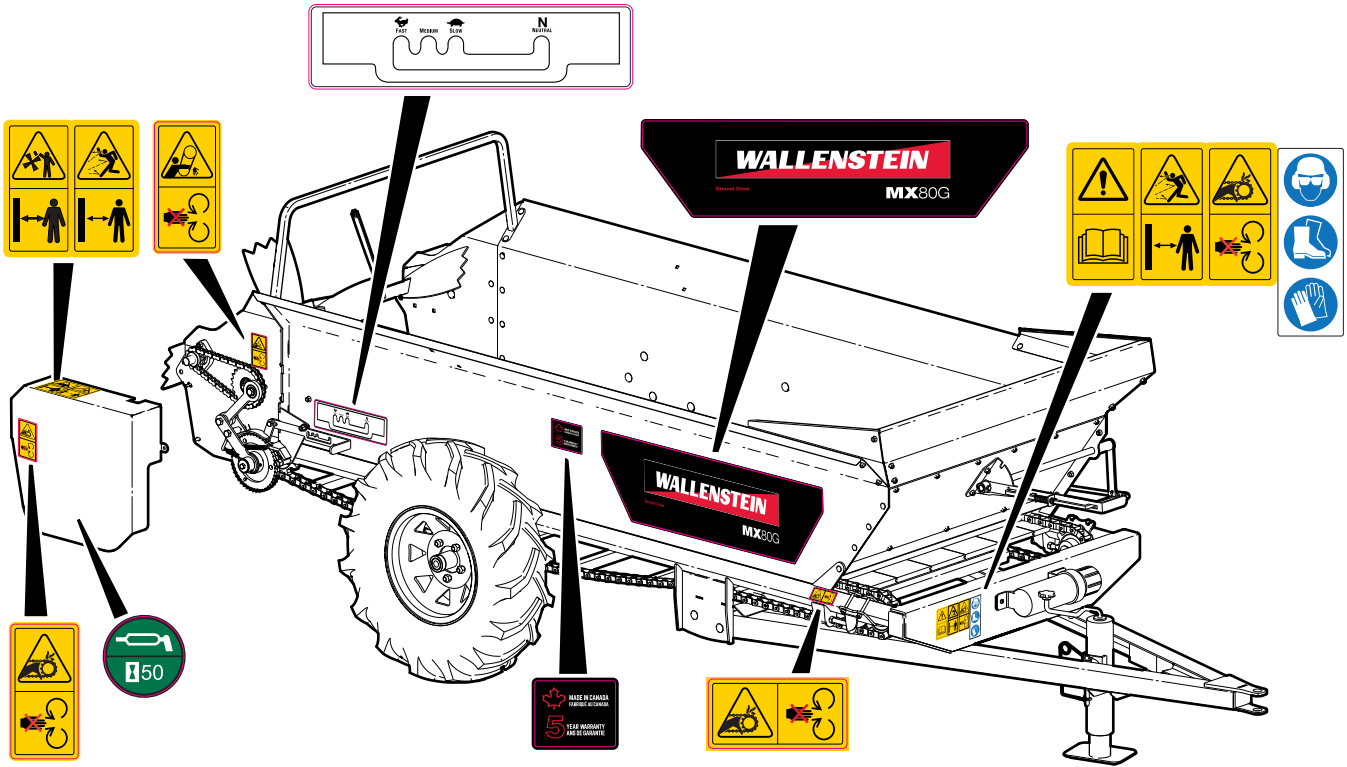
Decal Layout

IMPORTANT! If parts are replaced that have safety signs on them, new signs must be applied. Safety signs must always be replaced if they become damaged, are removed, or become illegible.

Safety signs are included in the product decal kit available from your authorized dealer. Decals are not available separately.

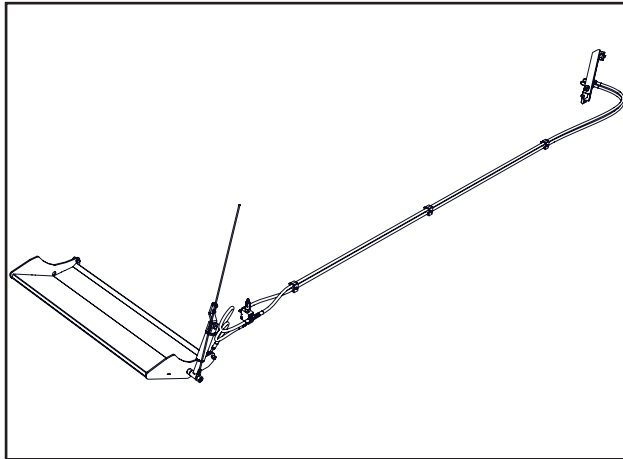


Decal Layout



Accessories

Call your dealer for pricing and availability

**Fines Pan – P/N M7590**

The Fines Pan provides a more consistent spread of manure by causing all manure to be discharged by the beater paddles.

Kit consists of fines pan and hardware.

Must be dealer installed


Common Bolt Torque Values

Checking Bolt Torque

The tables shown give correct torque values for various bolts and capscrews. Tighten all bolts to the torque values specified in the table, unless indicated otherwise. Check tightness of bolts periodically.

IMPORTANT! If replacing hardware, use fasteners of the same grade.

IMPORTANT! Torque figures indicated in the table are for non-greased or non-oiled threads. Do not grease or oil threads unless indicated otherwise. When using a thread locker, increase torque values by 5%.

 **NOTE:** Bolt grades are identified by their head markings.

Imperial Bolt Torque Specifications

Bolt Diameter	Torque Value					
	SAE Gr. 2		SAE Gr. 5		SAE Gr. 8	
	lbf•ft	N•m	lbf•ft	N•m	lbf•ft	N•m
1/4"	6	8	9	12	12	17
5/16"	10	13	19	25	27	36
3/8"	20	27	33	45	45	63
7/16"	30	41	53	72	75	100
1/2"	45	61	80	110	115	155
9/16"	60	95	115	155	165	220
5/8"	95	128	160	215	220	305
3/4"	165	225	290	390	400	540
7/8"	170	230	420	570	650	880
1"	225	345	630	850	970	1320



SAE Gr. 2



SAE Gr. 5



SAE Gr. 8

Metric Bolt Torque Specifications

Bolt Diameter	Torque Value			
	Gr. 8.8		Gr. 10.9	
	lbf•ft	N•m	lbf•ft	N•m
M3	0.4	0.5	1.3	1.8
M4	2.2	3	3.3	4.5
M6	7	10	11	15
M8	18	25	26	35
M10	37	50	52	70
M12	66	90	92	125
M14	83	112	116	158
M16	166	225	229	310
M20	321	435	450	610
M30	1,103	1 495	1,550	2 100



8.8



10.9