

PARTS MANUAL

Serial number 1100760 and up

WX970 Trailer Log Splitter

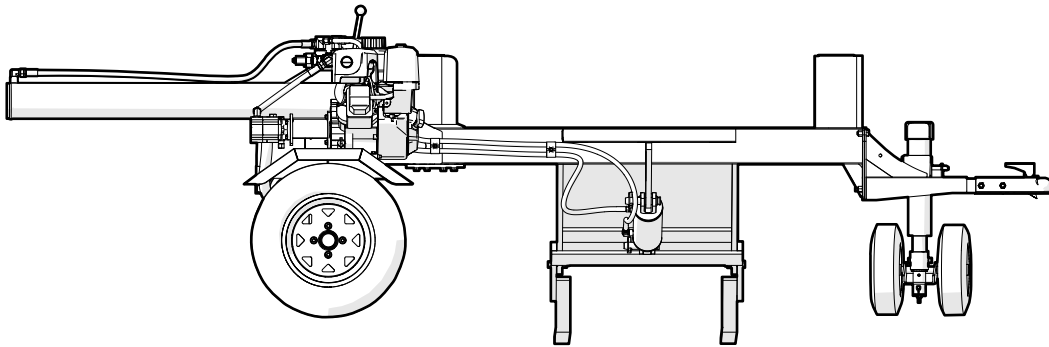


Table of Contents

Introduction3
Model and Serial Number Location.....3
Main Parts.....4
Main Parts Table Callout5
Tank and Trailer6
Hitch & Tongue7
Dual Jockey Jack Assembly8
Sliding Wedge Assembly9
Engine and Hydraulics Assembly 10
Valve Assembly 11
Z56209 Service Kits..... 11
Z56211 Service Kits..... 11
Hydraulic Circuit..... 12
Label Locations 13
Accessories 14
Bolt Torque 15
Hydraulic Fitting Torque..... 16
Lug Nut Torque 16

Introduction

! WARNING!

For safety, operation, and maintenance information, see the Operator’s Manual for your product.

Only qualified people are approved to maintain the machine.

! WARNING!

Replace all safety labels that are missing, damaged, or illegible. If a component is replaced and it has a safety label on it, apply a safety label to the new component. If a person operates a machine with missing, damaged, or illegible safety labels it puts them at risk of serious injury or death.

W100

This document provides information about the original equipment manufacturer (OEM) components (parts). Always replace a part with the correct OEM part. For service, support, or to order parts, contact your local Wallenstein Equipment dealer or distributor.

Always provide the model and serial number of your Wallenstein product when you order parts, or request service or other information. The model and serial number location is shown in the following illustration.

Record the model and serial number of your product here:

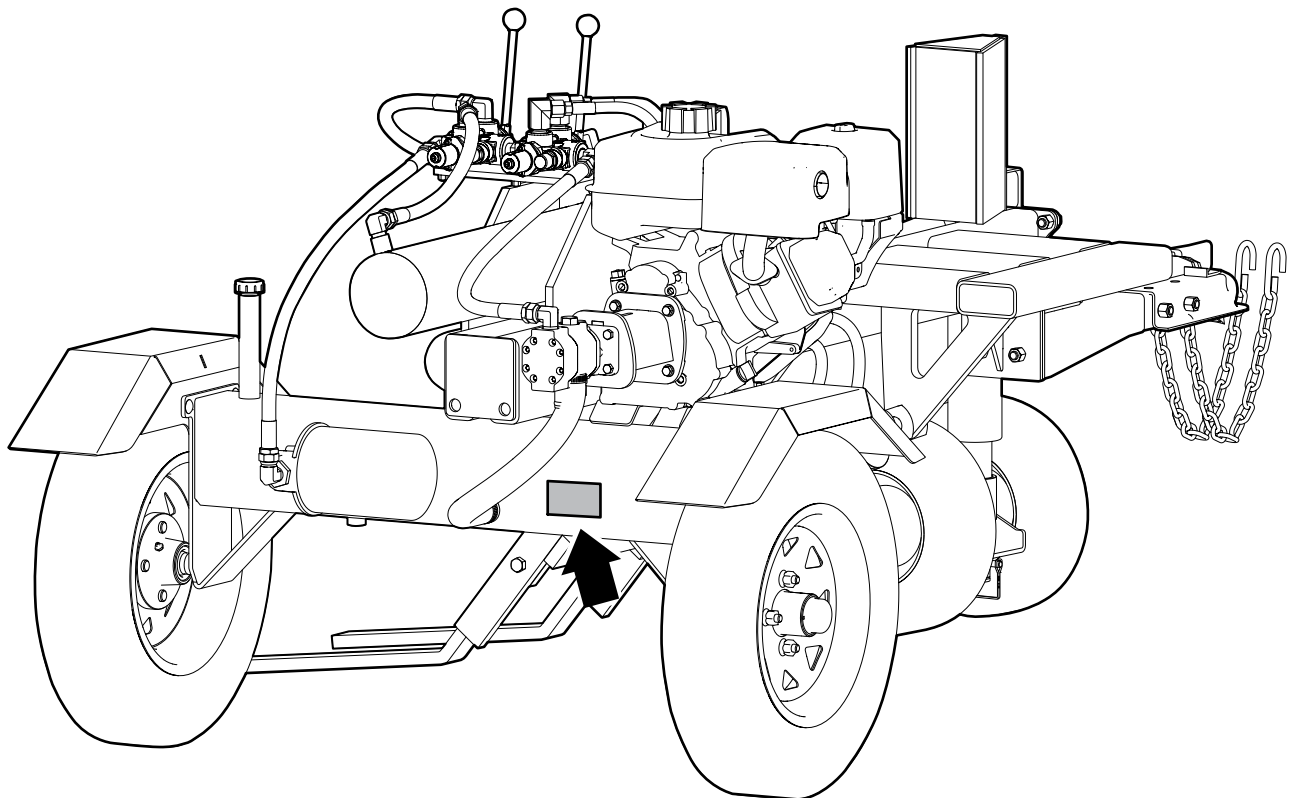
Model	
Serial Number	

The information contained in this document was current at the revision date noted on the bottom of each page. Wallenstein Equipment reserves the right to change product specifications at any time without notice. If your product specifications are different from the information in this document, contact your local dealer or distributor. To find a local dealer or distributor, go to WallensteinEquipment.com and select **Dealer Locator** at the bottom of the page.

Wallenstein Equipment Inc. • © 2024. All rights reserved.

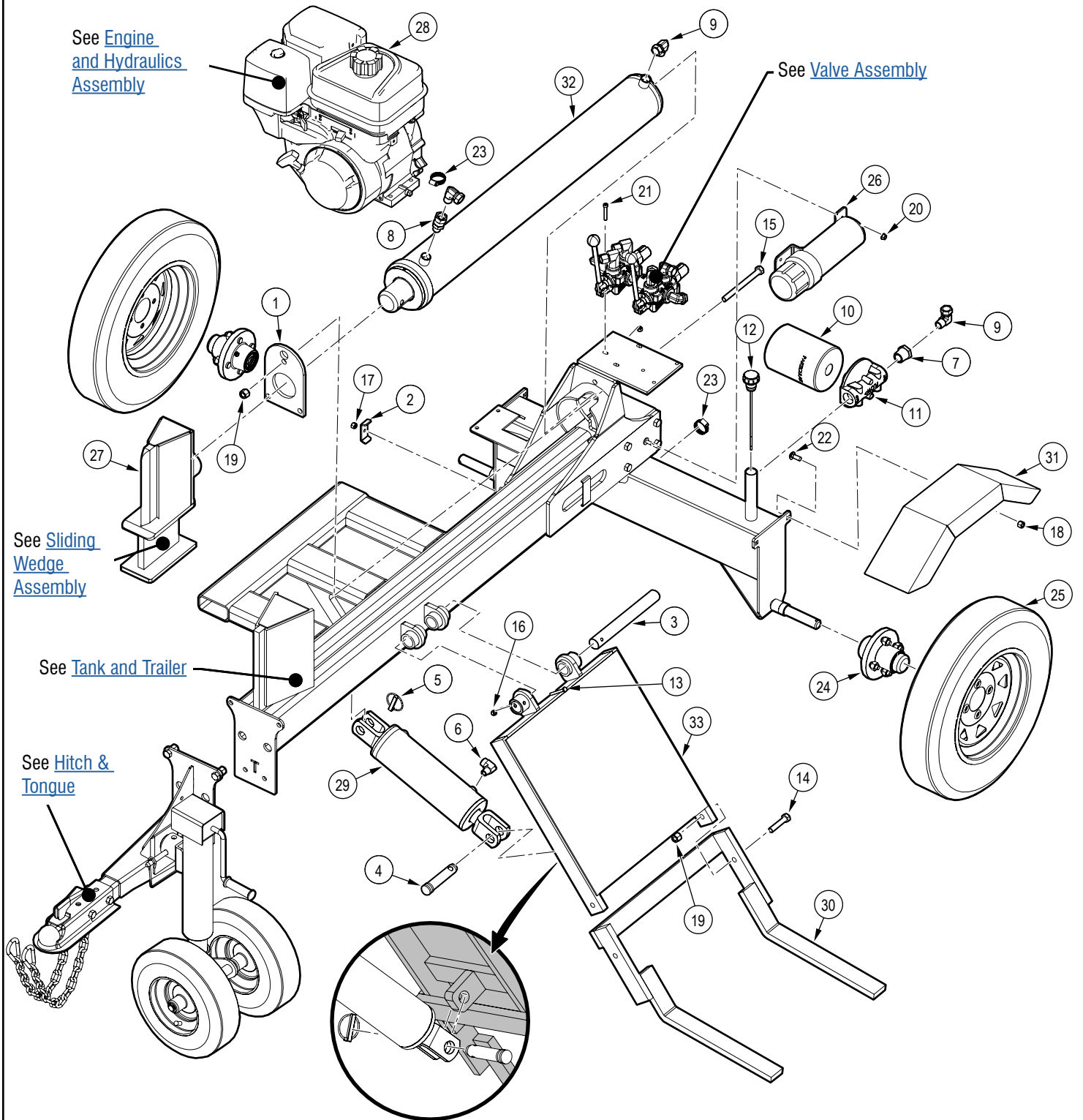
No part of this work may be copied, reproduced, replaced, distributed, published, displayed, modified, or transferred in any form or by any means except with the prior permission of Wallenstein Equipment Inc.

Model and Serial Number Location



Main Parts

See [Main Parts Table Callout](#)

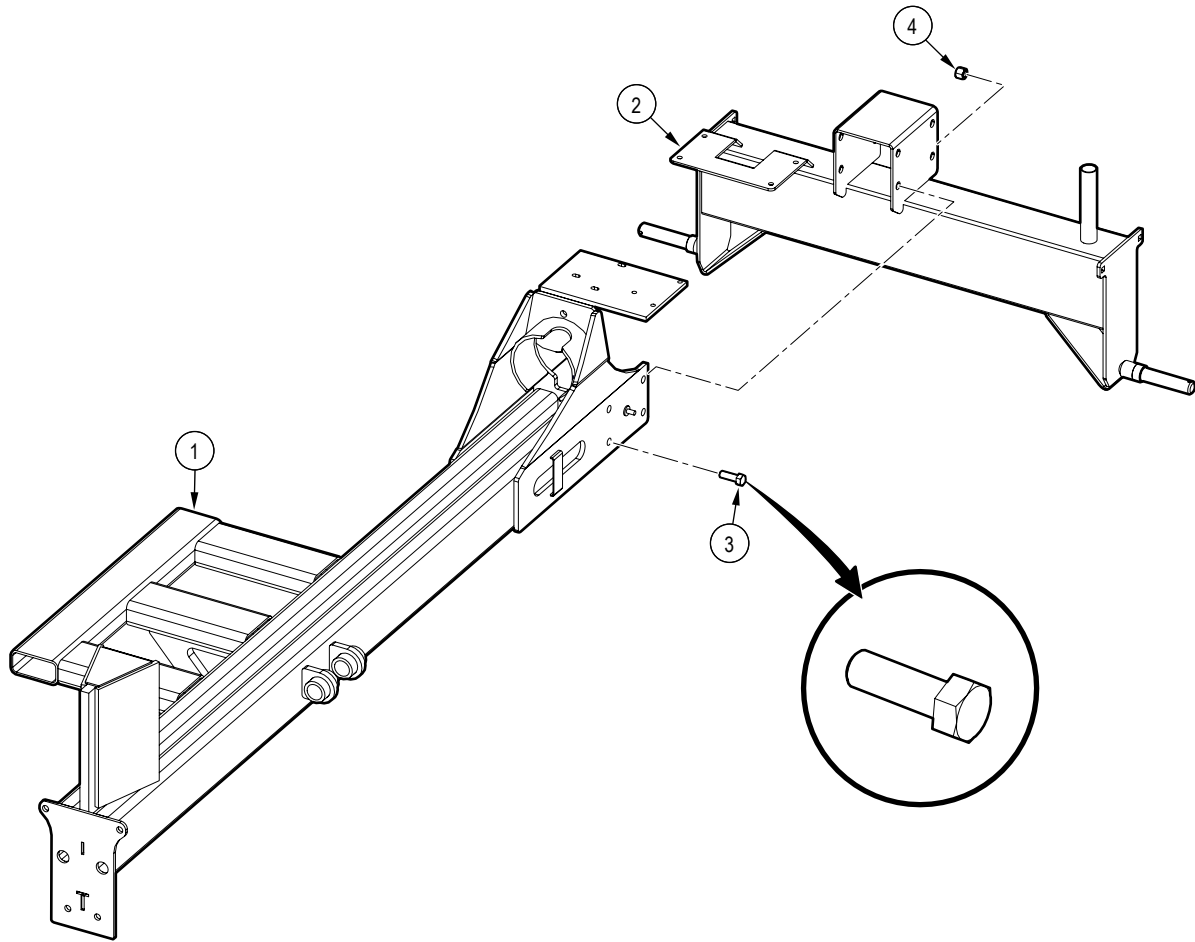


Main Parts Table Callout

Item	Part number	Description	Quantity
1	2032S213	Plate, Cylinder Retaining	1
2	2054L412	Clamp, Two Hose	2
3	2058M815	Pin, Shelf Pivot	2
4	Z11141	Toplink Pin, 1" x 3-3/16" MOD	2
5	Z12140	Lynch Pin, 7/16"	2
6	Z51135	Elbow 90, MP x FP 0606	1
7	Z51223	Straight, MP x FP 1608	1
8	Z51312	Straight, MP x FPX 0808	1
9	Z51331	Elbow 90, MP x FPX 0808	1
10	Z55303	Particulate Filter, FP16	1
11	Z55304	Filter Cap, MP16 x FP16	1
12	Z55404	Vented Plug Dipstick x 9"	1
13	Z71122	Hex Bolt, 1/4NC x 2-1/4"	1
14	Z71525	Hex Bolt, 1/2NC x 2-1/2"	2
15	Z71560	Hex Bolt, 1/2NC x 6"	3
16	Z72211	Hex Lock Nut, 1/4NC	7
17	Z72221	Hex Lock Nut, 5/16NC	2

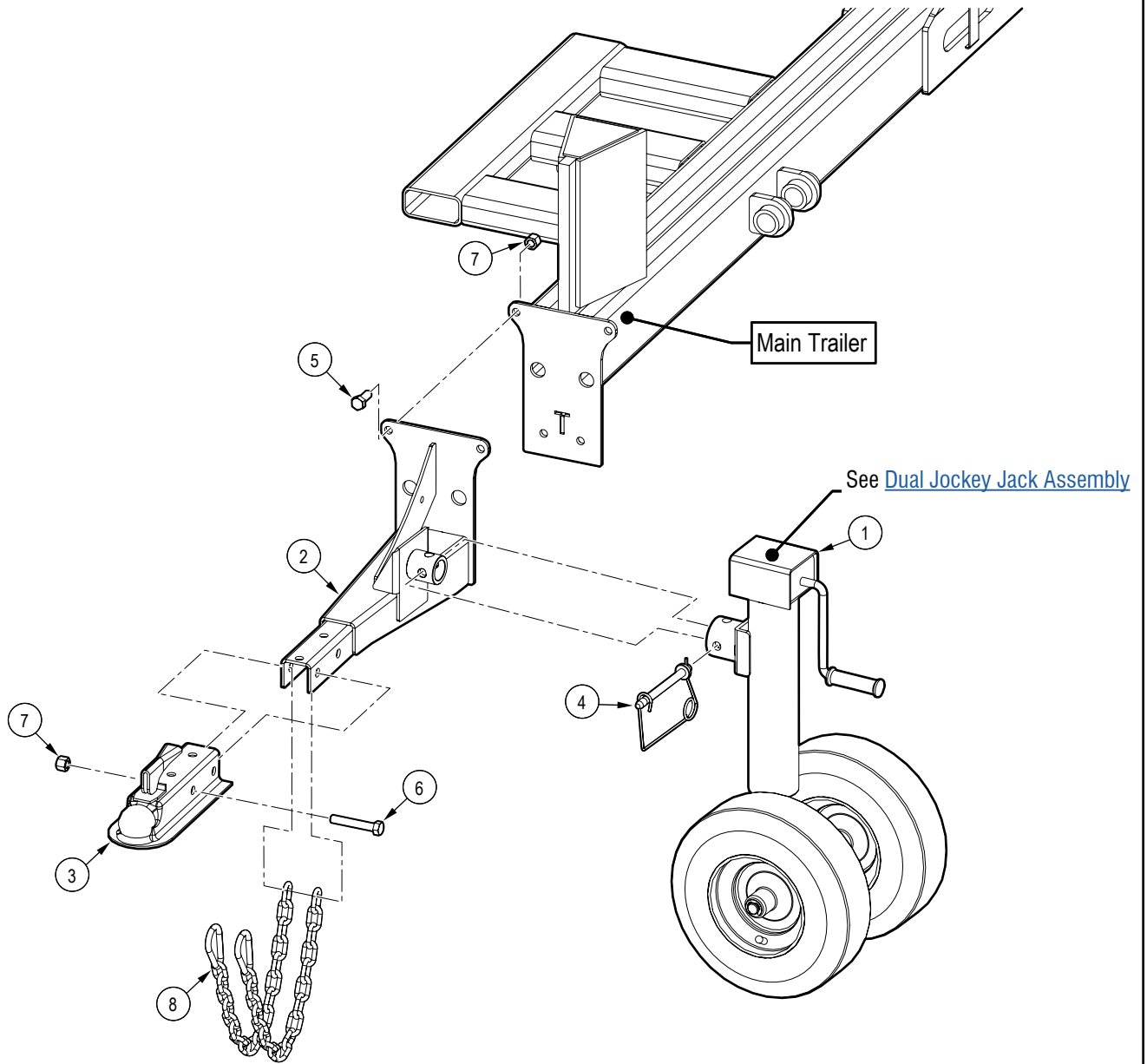
Item	Part number	Description	Quantity
18	Z72231	Hex Lock Nut, 3/8NC	4
19	Z72251	Hex Lock Nut, 1/2NC	5
20	Z72521	Serrated Flange Locknut, 5/16NC	1
21	Z75114	SHCS, 1/4NC x 1-3/4"	6
22	Z76231	Carriage Bolt, 3/8NC x 1"	4
23	Z79401	Hose Clamp, SAE #16 (1-1/2")	2
24	Z91202	Idler Hub Assy, 1000lbs x 4x4" x 1"	2
25	Z91302	5.30-12 LRB SportTrail 4x4"	2
26	Z96503	Manual Tube, 3-1/2" Short	1
27	2032A202	Wedge, Large Sliding Assy	1
28	2061A108	Vanguard ® 10 hp (305 cc)	1
29	2058C801	Cylinder, 3-1/2 x 8 X 1-1/2"	1
30	2060W010	Log Arm	1
31	2061W121	Fender	2
32	2013C301	Cylinder, 4-1/2 x 48" x 2-1/2"	1
33	2060W013	Lift Shelf	1

Tank and Trailer



Item	Part number	Description	Quantity
1	2060W021	Main Trailer	1
2	2060W024	WX960 Tank	1
3	Z71515	Hex Bolt, 1/2NC x 1-1/2"	8
4	Z72251	Hex Lock Nut, 1/2NC	8

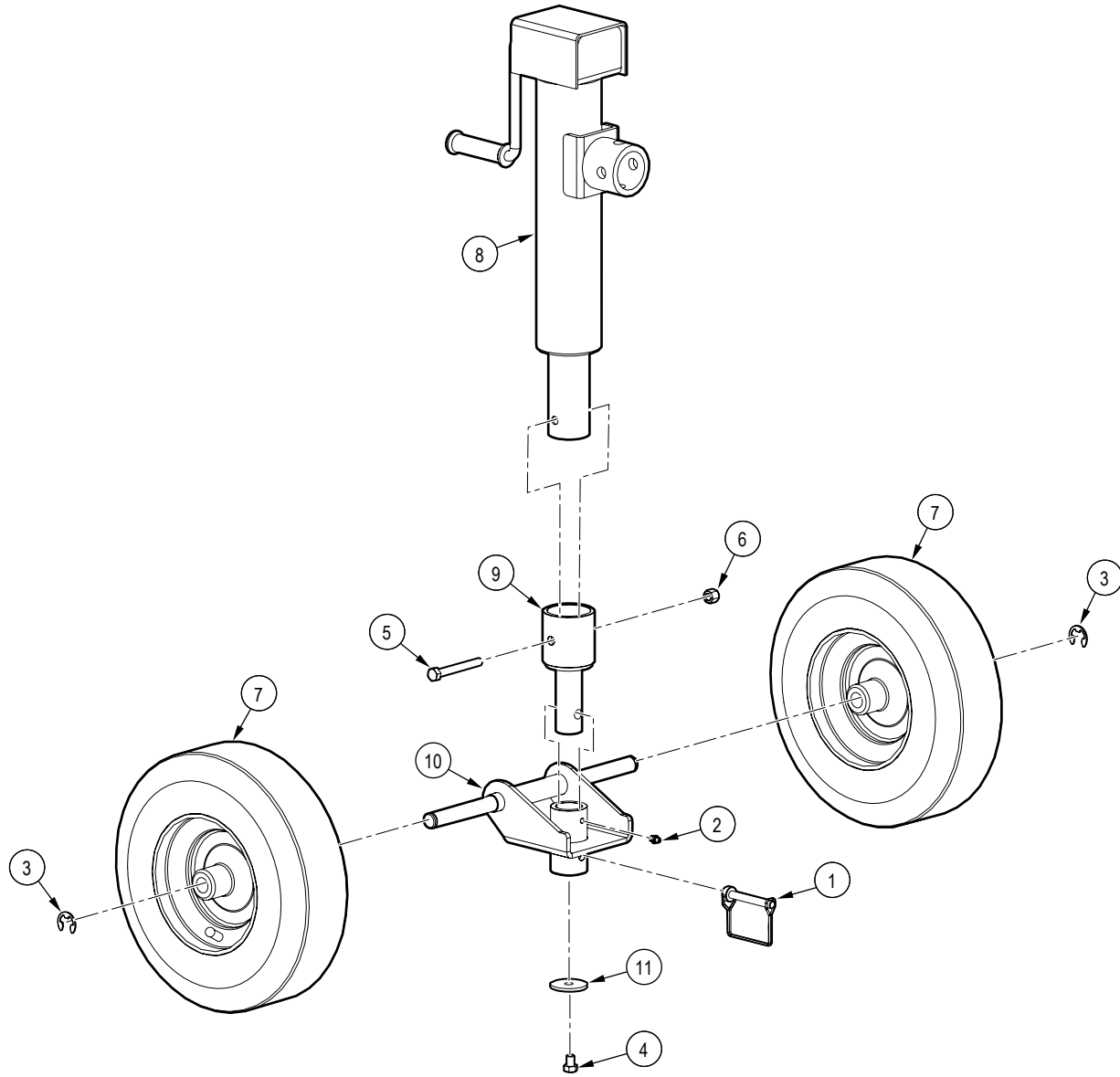
Hitch & Tongue



Item	Part number	Description	Quantity
1	2060A001	Dual Jockey Jack	1
2	2060W020	Trailer Tongue	1
3	Z91614	Hitch Coupler, 2" Ball x 2" x 3500lbs	1
4	Z12441	Snap Lock Pin, 1/2" x 4-1/2"	1

Item	Part number	Description	Quantity
5	Z71512	Hex Bolt, 1/2NC x 1-1/4"	4
6	Z71530	Hex Bolt, 1/2NC x 3"	2
7	Z72251	Hex Lock Nut, 1/2NC	6
8	Z92303	Safety Chain, 1/4" x 2ft with Snap	2

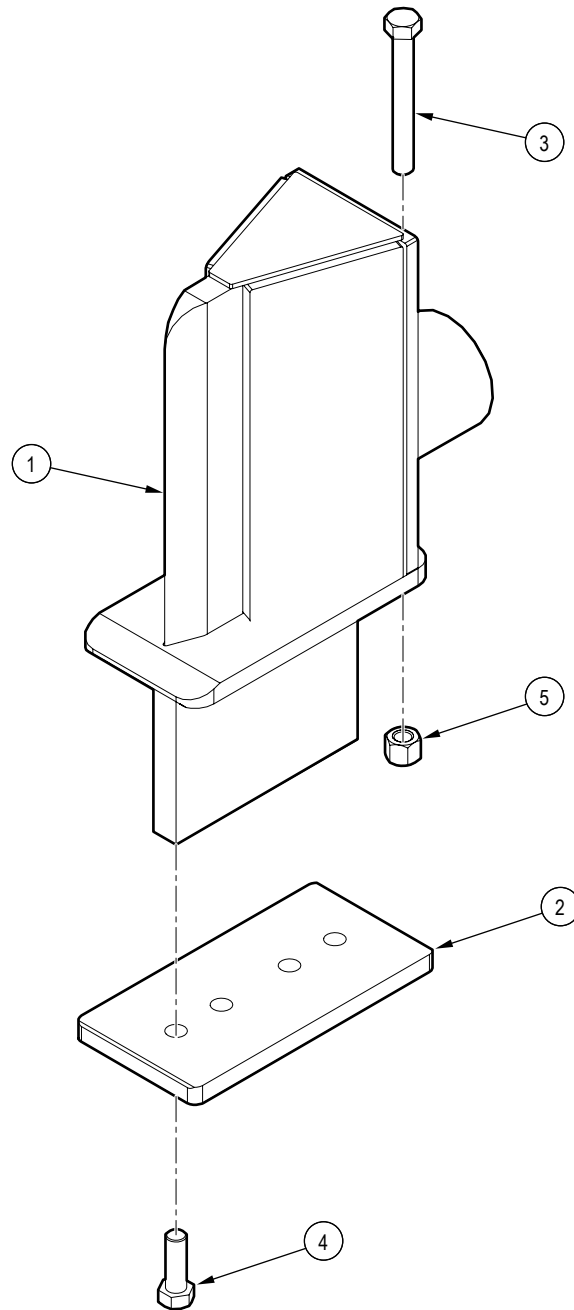
Dual Jockey Jack Assembly



Item	Part number	Description	Quantity
1	Z12432	Snap Lock Pin, 3/8" x 2-1/2"	1
2	Z29202	Grease Fitting, 1/4NF	1
3	Z46203	E-Style Retaining Ring, 3/4"	2
4	Z71305	Hex Bolt, 3/8NC x 1/2"	1
5	Z71330	Hex Bolt, 3/8NC x 3"	1
6	Z72231	Hex Lock Nut, 3/8NC	1
7	Z91311	4.10-6NHS 2PR 290lbs Sawtooth x 3/4"	2

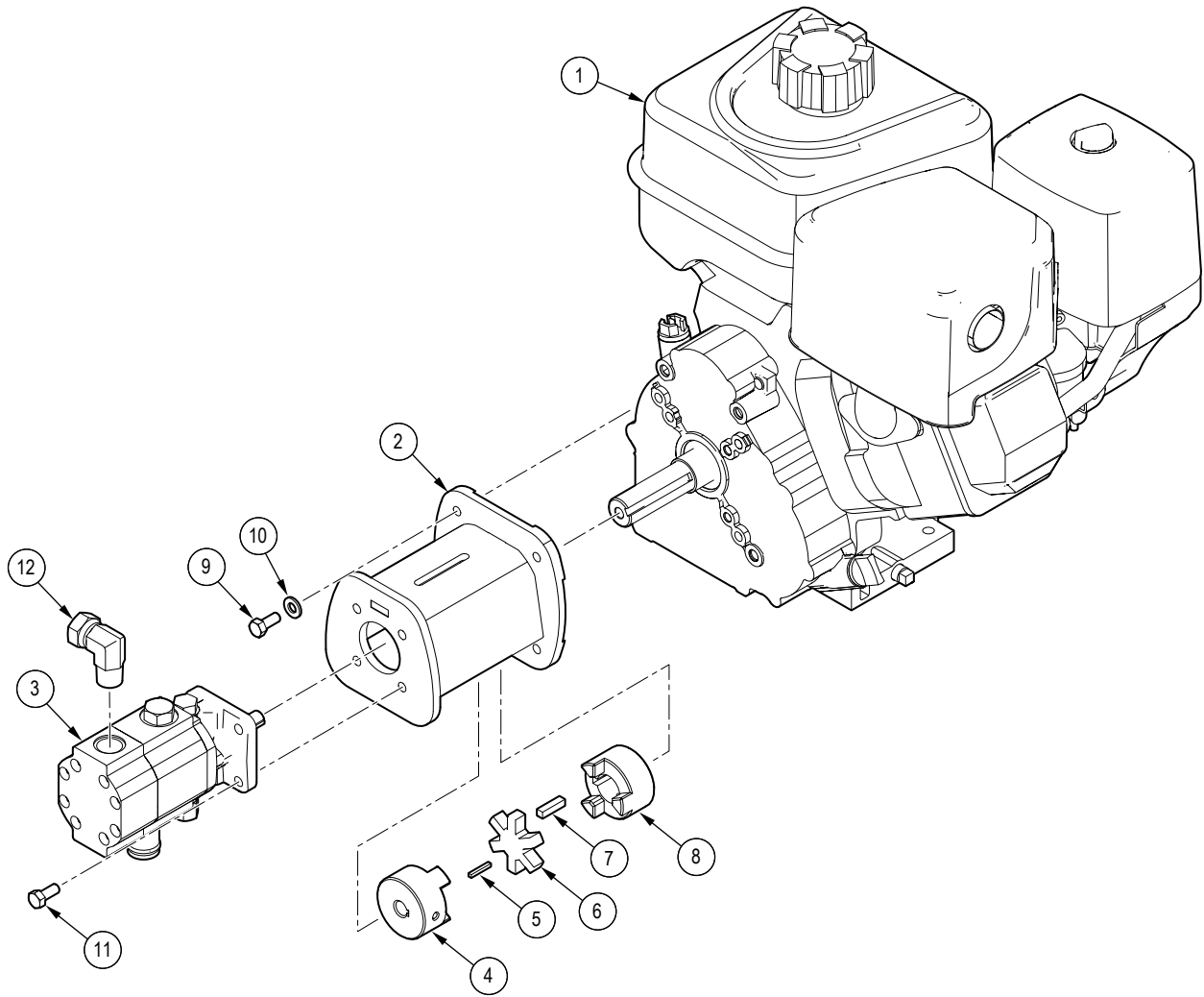
Item	Part number	Description	Quantity
8	Z91515	Trailer Jack, Side Wind x 2000lbs No Foot	1
9	2060W022	Jockey Pivot Foot	1
10	2060W023	Dual Jockey Axle	1
11	2060L008	Washer, 3/8" Extra Wide	1

Sliding Wedge Assembly



Item	Part number	Description	Quantity
1	2032W203	Wedge, Large Sliding	1
2	2014S414	Plate, Sliding Wedge Capture	1
3	Z71537	Hex Bolt, 1/2NC x 3-3/4"	1
4	Z71576G8	Hex Bolt, 1/2NF x 1-1/2" G8	4
5	Z72251	Hex Lock Nut, 1/2NC	1

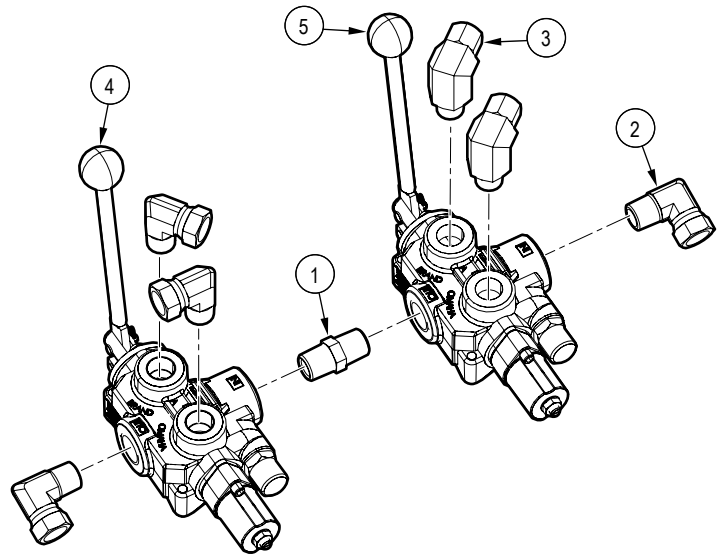
Engine and Hydraulics Assembly



Item	Part number	Description	Quantity
1	Z47765	Vanguard® 10 hp (305 cc)	1
2	6081W202	Pump Mount, VG300	1
3	Z53205	Two-Stage Pump, 16GPM	1
4	Z46409	Shaft Coupling, L095 x 1/2"	1
5	Z46511	Key, 1/8" x 1/8" x 7/8"	1
6	Z46405	Spider, L095	1

Item	Part number	Description	Quantity
7	Z46533	Key, 1/4" x 1/4" x 1"	1
8	Z46404	Shaft Coupling, L095 x 1"	1
9	Z71273	Hex Bolt, 5/16NF x 3/4"	4
10	Z73122G8	SAE Washer, 5/16" Grade 8 4	4
11	Z71207	Hex Bolt, 5/16NC x 3/4"	4
12	Z51331	Elbow 90, MP x FPX 0808	1

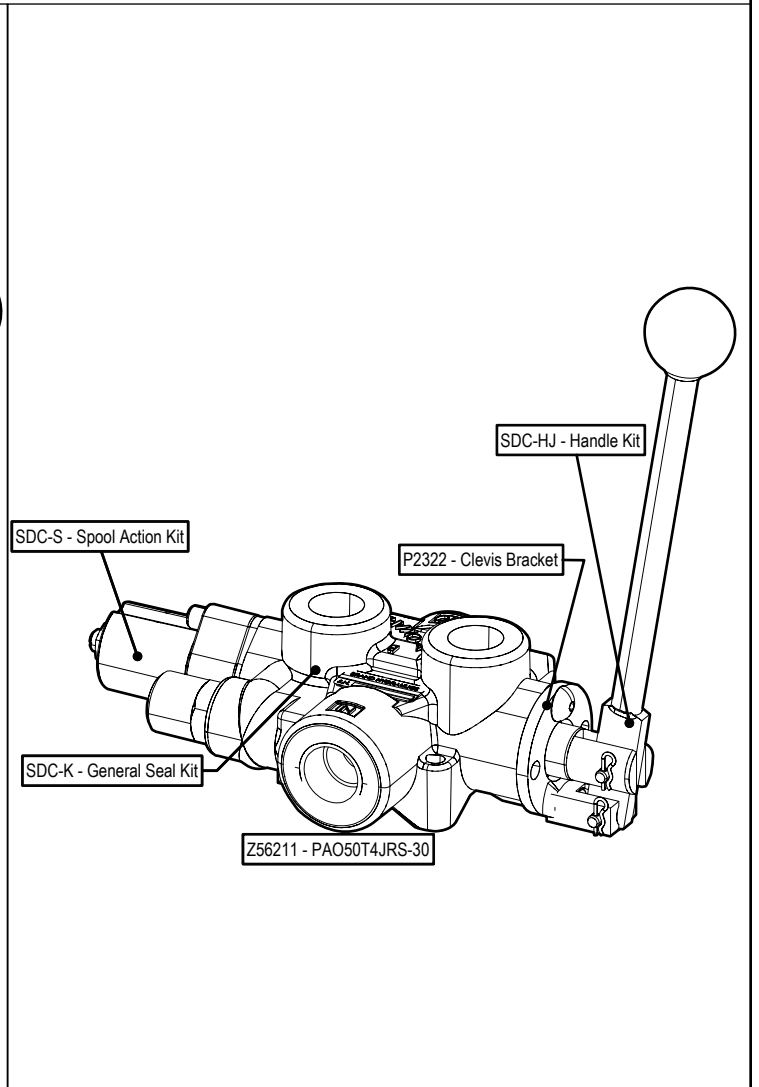
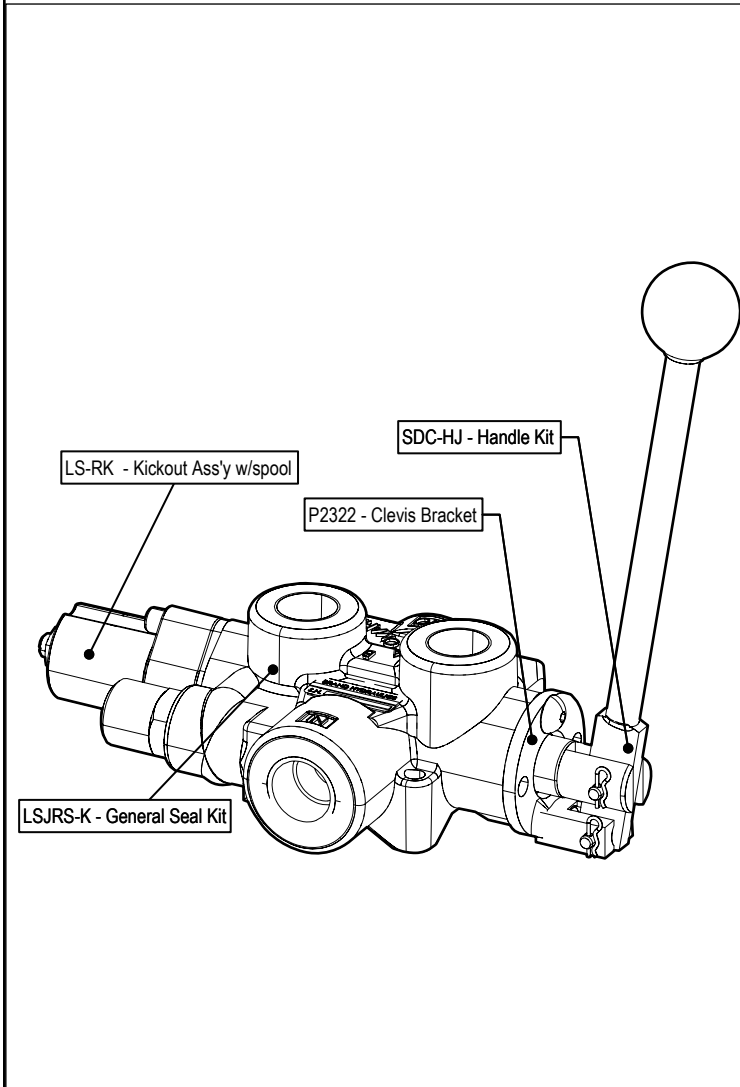
Valve Assembly



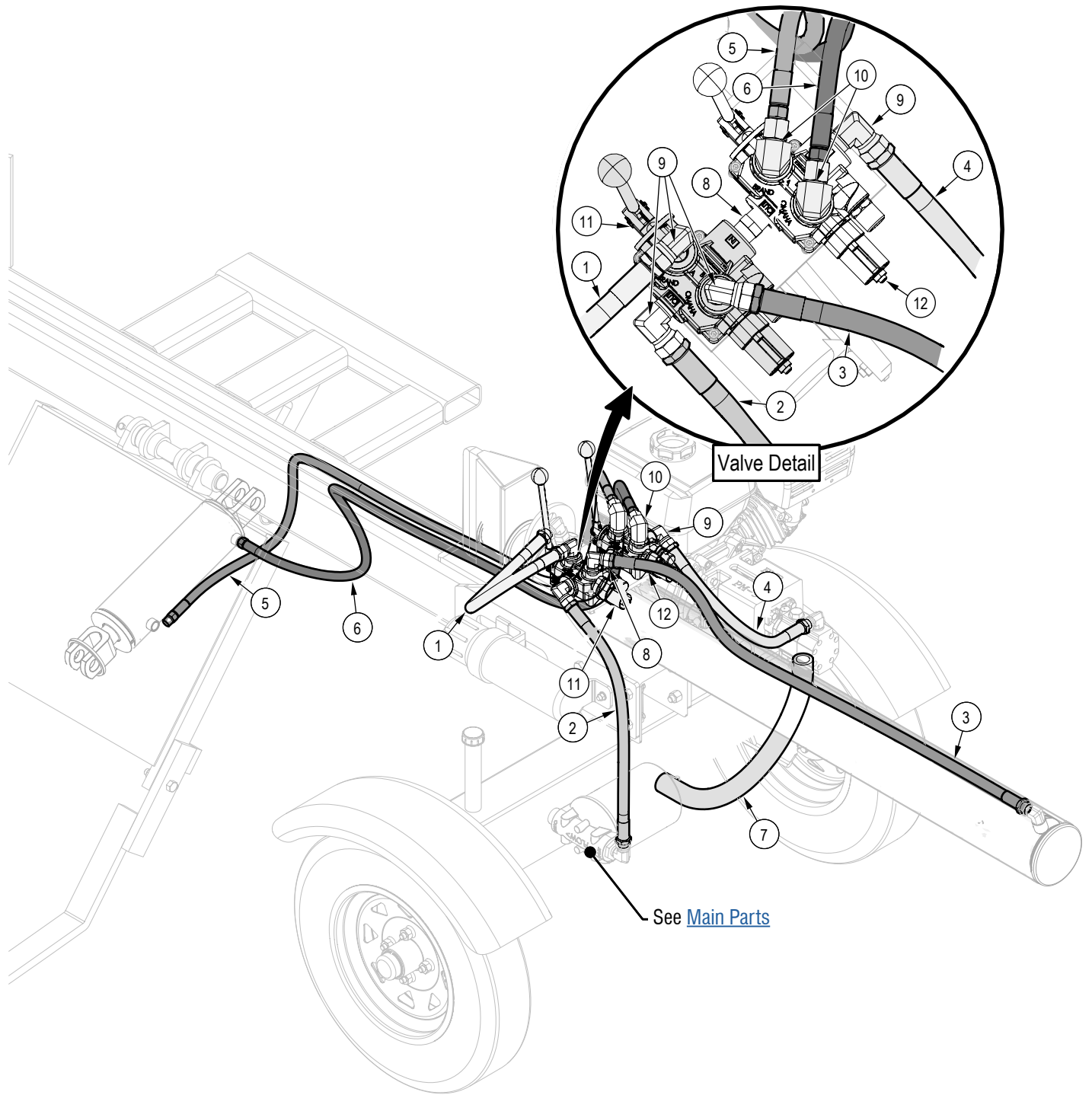
Item	Part number	Description	Quantity
1	Z51122	Straight, MP x MP 0808	1
2	Z51331	Elbow 90, MP x FPX 0808	4
3	Z51332	Elbow 90, MP x FPX 0806	2
4	Z56209	Single Spool Valve, OC Tandem SCDK x 18GPM	1
5	Z56211	Single Spool Valve, OC Tandem SC x 18GPM	1

Z56209 Service Kits

Z56211 Service Kits



Hydraulic Circuit



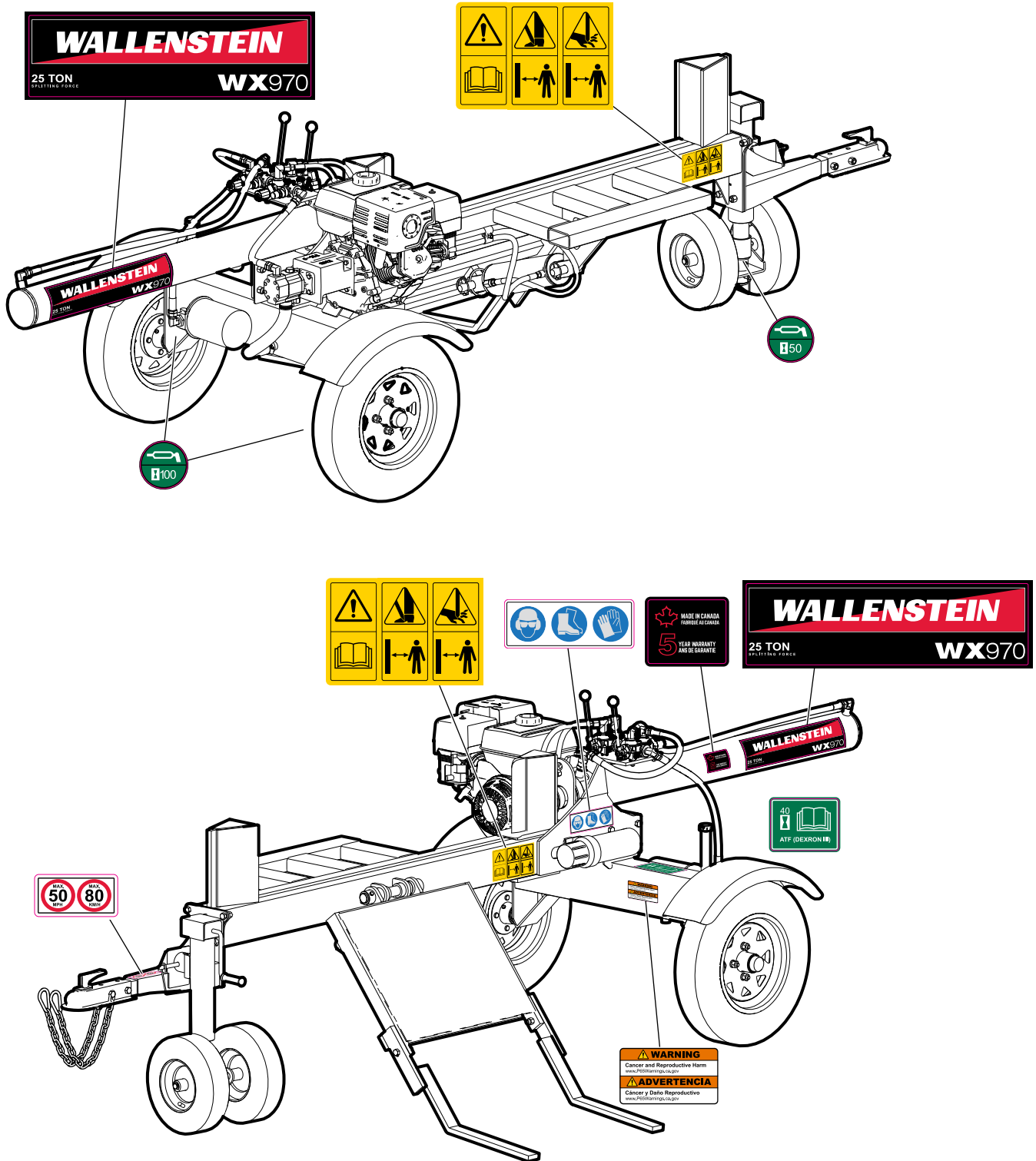
Item	Part number	Description	Quantity
1	2060F001	1/2" Hose, MP08 x MP08 x 21"	1
2	2060F002	1/2" Hose, MP08 x MP08 x 19.5"	1
3	2060F003	1/2" Hose, MP08 x MP08 x 45"	1
4	2060F004	1/2" Hose, MP08 x MP08 x 13"	1
5	2060F005	3/8" Hose, MP06 x MP06 x 70"	1
6	2060F006	3/8" Hose, MP06 x MP06 x 63"	1
7	2060F007	Suction Hose, 1" x 18"	1

Item	Part number	Description	Quantity
8	Z51122	Straight, MP x MP 0808	1
9	Z51331	Elbow 90, MP x FPX 0808	4
10	Z51332	Elbow 90, MP x FPX 0806	2
11	Z56209	Single Spool Valve, OC Tandem SCDK x 18GPM	1
12	Z56211	Single Spool Valve, OC Tandem SC x 18GPM	1

Label Locations

IMPORTANT! If you replace a part that has a safety label on it, you must apply a new safety label. Immediately replace safety labels that are damaged, have been removed, or are illegible.

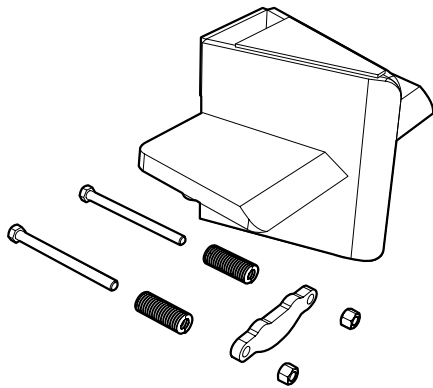
Contact your local Wallenstein Equipment dealer or distributor to order a safety label kit. Labels are not sold individually.



Accessories

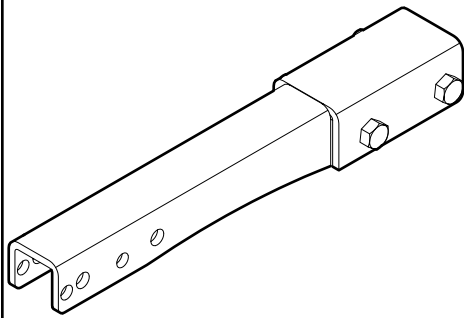
For price and availability, contact your local Wallenstein dealer or distributor.

For accessory installation instructions, go to WallensteinEquipment.com/Support.aspx, and then select **Accessories**.



Four-way wedge Part number W4130

Split wood into four pieces with a single stroke.



Hitch extension Part number W4202

12" extension for use with a 2" ball hitch.
This accessory is necessary to tow the machine with an all-terrain vehicle (ATV).

Bolt Torque

IMPORTANT! If you replace hardware, use fasteners of the same grade.

IMPORTANT! The torque specifications in these tables are for non-greased or non-oiled threads. Do not grease or oil fastener threads unless otherwise indicated. When using a thread lock, increase the specified torque 5%.



Bolt grades are identified by the marks on the bolt head.

The bolt torque specification tables provide the correct torque settings for common bolts and capscrews. Tighten all bolts to the torque that is specified in the table, unless otherwise indicated. Check the bolt tightness periodically.

Imperial Bolt Torque Specifications

Bolt Diameter	Torque					
	SAE Gr. 2		SAE Gr. 5		SAE Gr. 8	
	lbf•ft	N•m	lbf•ft	N•m	lbf•ft	N•m
1/4 inch	6	8	9	12	12	17
5/16 inch	10	13	19	25	27	36
3/8 inch	20	27	33	45	45	63
7/16 inch	30	41	53	72	75	100
1/2 inch	45	61	80	110	115	155
9/16 inch	60	95	115	155	165	220
5/8 inch	95	128	160	215	220	305
3/4 inch	165	225	290	390	400	540
7/8 inch	170	230	420	570	650	880



SAE Gr. 2



SAE Gr. 5



SAE Gr. 8

Metric Bolt Torque Specifications

Bolt Diameter	Torque			
	Gr. 8.8		Gr. 10.9	
	lbf•ft	N•m	lbf•ft	N•m
M3	0.4	0.5	1.3	1.8
M4	2.2	3	3.3	4.5
M6	7	10	11	15
M8	18	25	26	35
M10	37	50	52	70
M12	66	90	92	125
M14	83	112	116	158
M16	166	225	229	310
M20	321	435	450	610
M30	1,103	1,495	1,550	2,100



8.8



10.9

Hydraulic Fitting Torque

Tighten flare-type tube fittings:

1. Check the flare and flare seat for defects that might cause leaks.
2. Align the tube with the fitting before tightening.
3. Hand-tighten the swivel nut until it is snug.
4. To prevent the tube from twisting, use two wrenches. Place one wrench on the connector body and tighten the swivel nut with the second wrench. Torque the fitting to the correct specification.

If a torque wrench is not available, use the flats from finger tight (FFFT) method.

Hydraulic Fitting Torque Specifications					
Tube size OD	Hex size across flats	Torque		Flats from finger tight	
		lbf•ft	N•m	Flats	Turns
3/16	7/16	6	8	2	1/6
1/4	9/16	11–12	15–17	2	1/6
5/16	5/8	14–16	19–22	2	1/6
3/8	11/16	20–22	27–30	1-1/4	1/6
1/2	7/8	44–48	59–65	1	1/6
5/8	1	50–58	68–79	1	1/6
3/4	1-1/4	79–88	107–119	1	1/8
1	1-5/8	117–125	158–170	1	1/8

Specifications are for non-lubricated connections.

Lug Nut Torque



WARNING!

Wheel lug nuts must be installed and kept at the correct torque to prevent loose wheels, broken studs, or possible separation of a wheel from the axle.

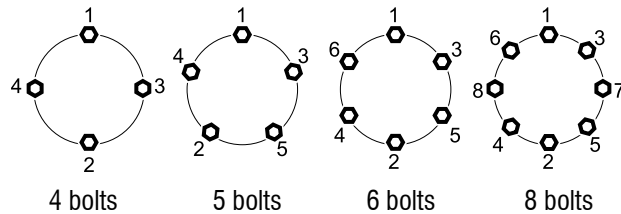
It is an extremely important safety procedure to apply and maintain the correct torque on lug nuts that secure the wheel to the trailer axle. A calibrated torque wrench is the best tool to make sure that the correct amount of torque is applied to a fastener.

Tighten wheel lug nuts to the correct torque before the first use and after each wheel removal. After a wheel is installed, check and torque the lug nuts after the first 10 miles (16 km), 25 miles (40 km), and 50 miles (80 km). Check the lug nut torque periodically thereafter.

- Start all lug nuts onto the threads by hand.
- Tighten lug nuts in stages, following the pattern shown below the Lug Nut Torque Specifications table.

Lug Nut Torque Specifications				
Wheel size	Units	First stage	Second stage	Third stage
8 inch	lbf•ft N•m	12–20 16–26	30–35 39–45.5	45–55 58.5–71.5
12 inch	lbf•ft N•m	20–25 26–32.5	35–40 45.5–52	50–60 65–78
13 inch	lbf•ft N•m	20–25 26–32.5	35–40 45.5–52	50–60 65–78
14 inch	lbf•ft N•m	20–25 26–32.5	50–60 65–78	90–120 117–156
15 inch	lbf•ft N•m	20–25 26–32.5	50–60 65–78	90–120 117–156
16 inch	lbf•ft N•m	20–25 26–32.5	50–60 65–78	90–120 117–156

Lug nut torque pattern:





MAKING WORK FEEL MORE LIKE PLAY™

WallensteinEquipment.com

