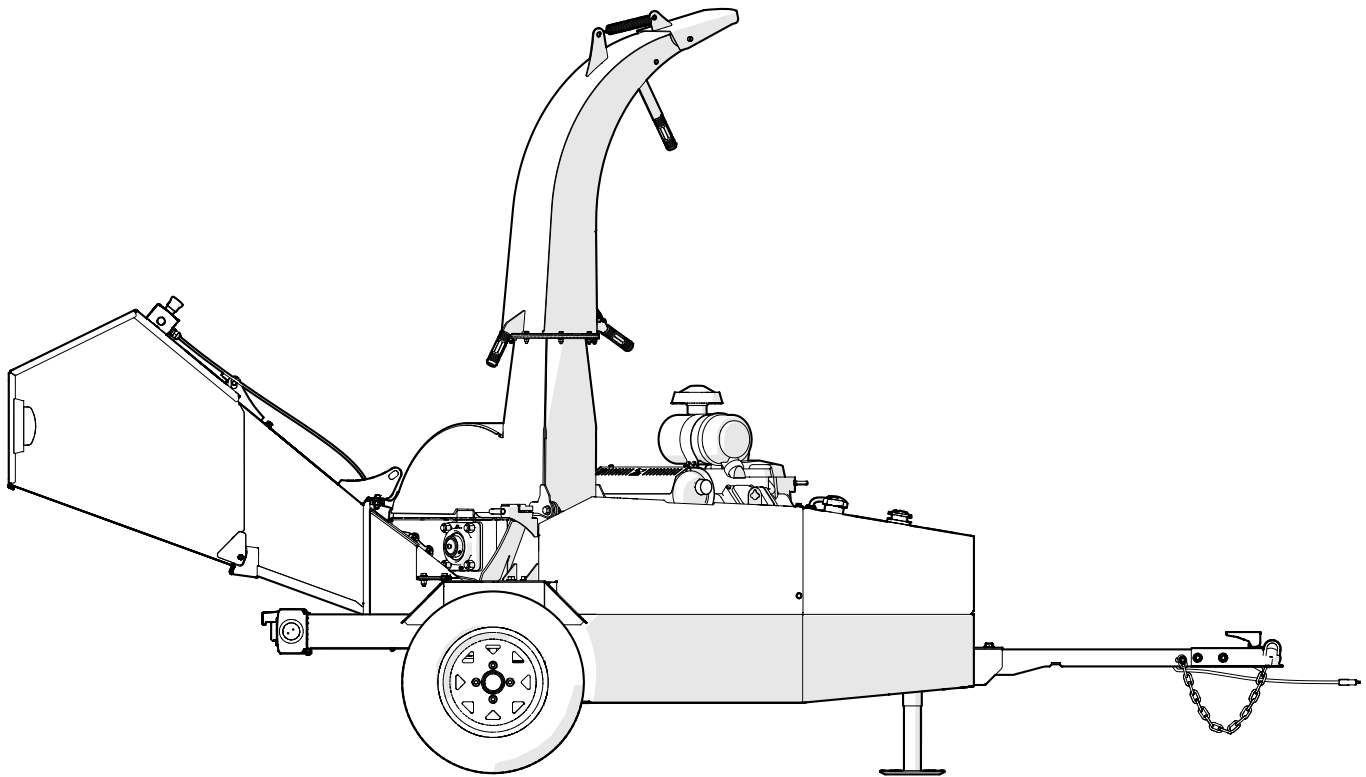


PARTS MANUAL

Serial Number 1101426 & up

BXT72S **Trailer Wood Chipper**



Foreword

This Wallenstein parts manual is prepared to assist customers in ordering quality OEM replacement parts.

Regular maintenance combined with replacing old, worn or broken parts with the correct OEM parts is essential in prolonging the life of your Wallenstein product. Refer to this manual to identify replacement parts.

To order parts, contact your Wallenstein dealer or distributor. Have the product model and serial number handy.

If your dealer is no longer available, please go to WallensteinEquipment.com. At the bottom of the page, select Dealer Locator.

All information contained in this parts manual is current as per the revision date at the bottom of the page. Wallenstein reserves the right to change product specifications at any time without notice.

If your product specifications differ from those contained in this manual, contact Wallenstein for current information.

Reproduction of information in this parts manual is prohibited without prior written permission from Wallenstein Equipment Inc.

Wallenstein Equipment Inc. • © 2023

WARNING!

For safety, operation, and maintenance information, see the Operator's Manual.

Maintenance should be performed by trained personnel only.

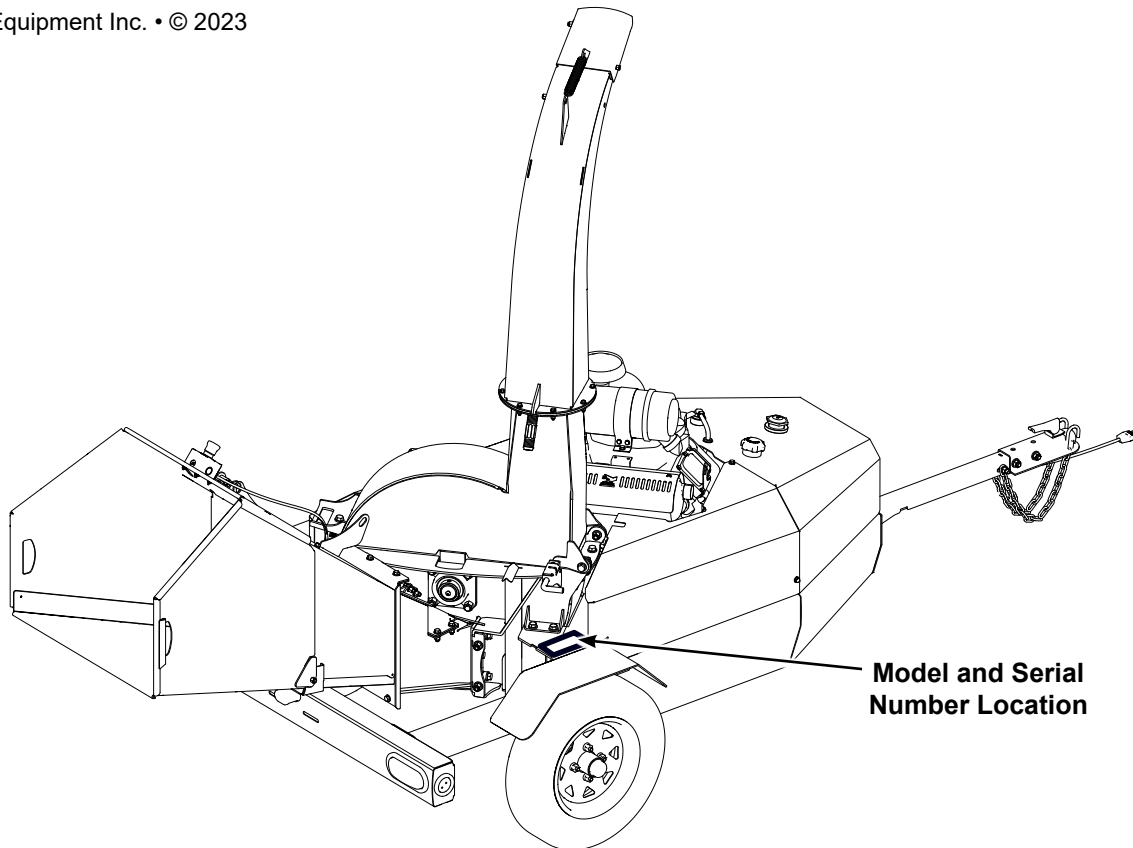
Serial Number Location

Always provide the model and serial number of your Wallenstein product when ordering parts or requesting service or other information. The serial number is on the product information plate as shown below.

Record your product information here for future reference.

Model _____

Serial Number _____

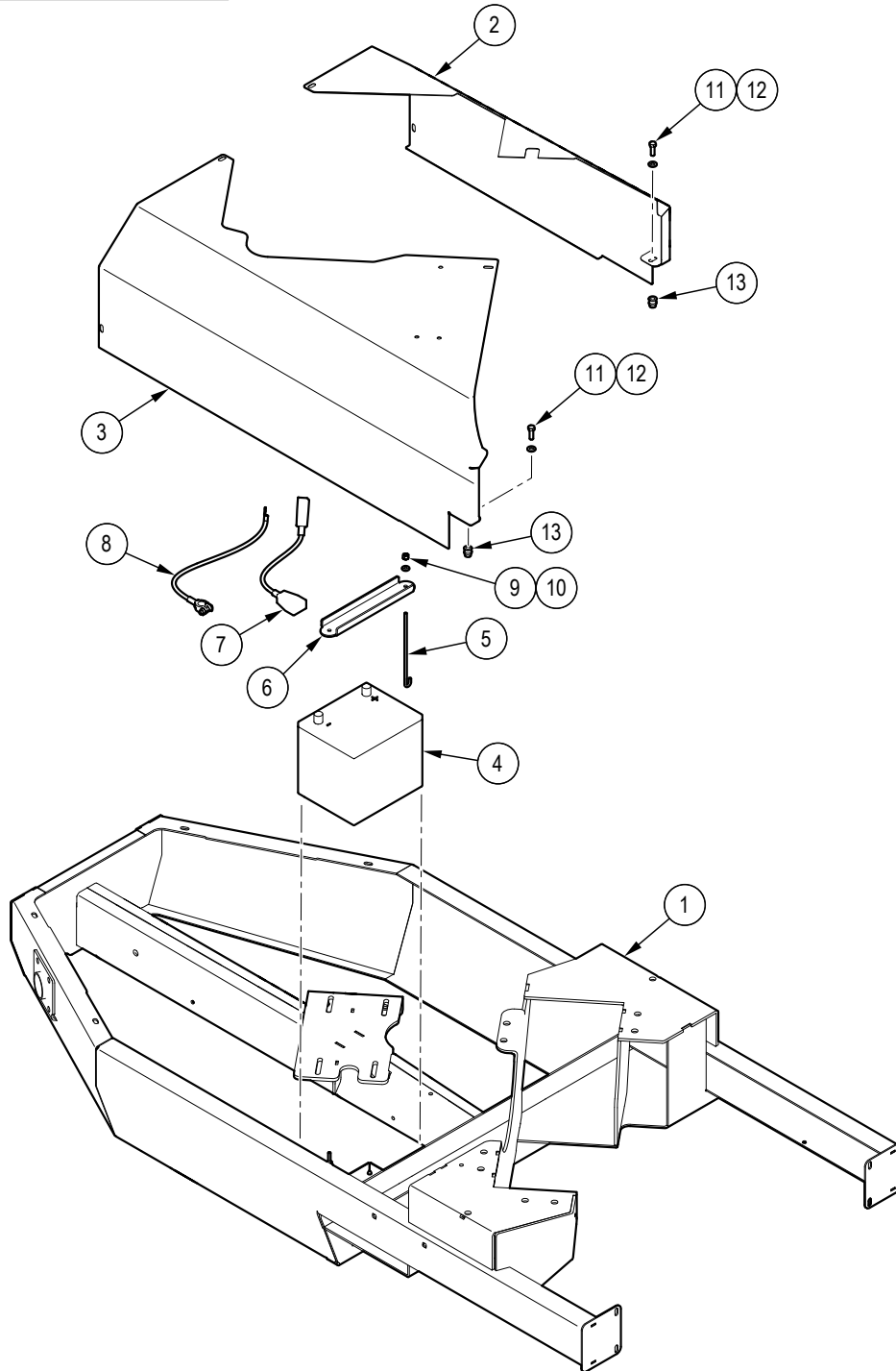


www.WallensteinEquipment.com

Contents

Main Frame and Guards	4
Fuel Tank	5
Blower Assembly	6
Discharge Chute Assembly.....	7
Engine and Driveline	8
Rotor	9
Self-Feed Hopper	10
Hitch and Jack Assembly.....	11
Wheel and Idler Hub	12
Harness and Light Bar.....	13
Decal Layout.....	14
Decal Layout.....	15
Bolt Torque Specifications.....	17
Lug Nut Torque Specifications	18

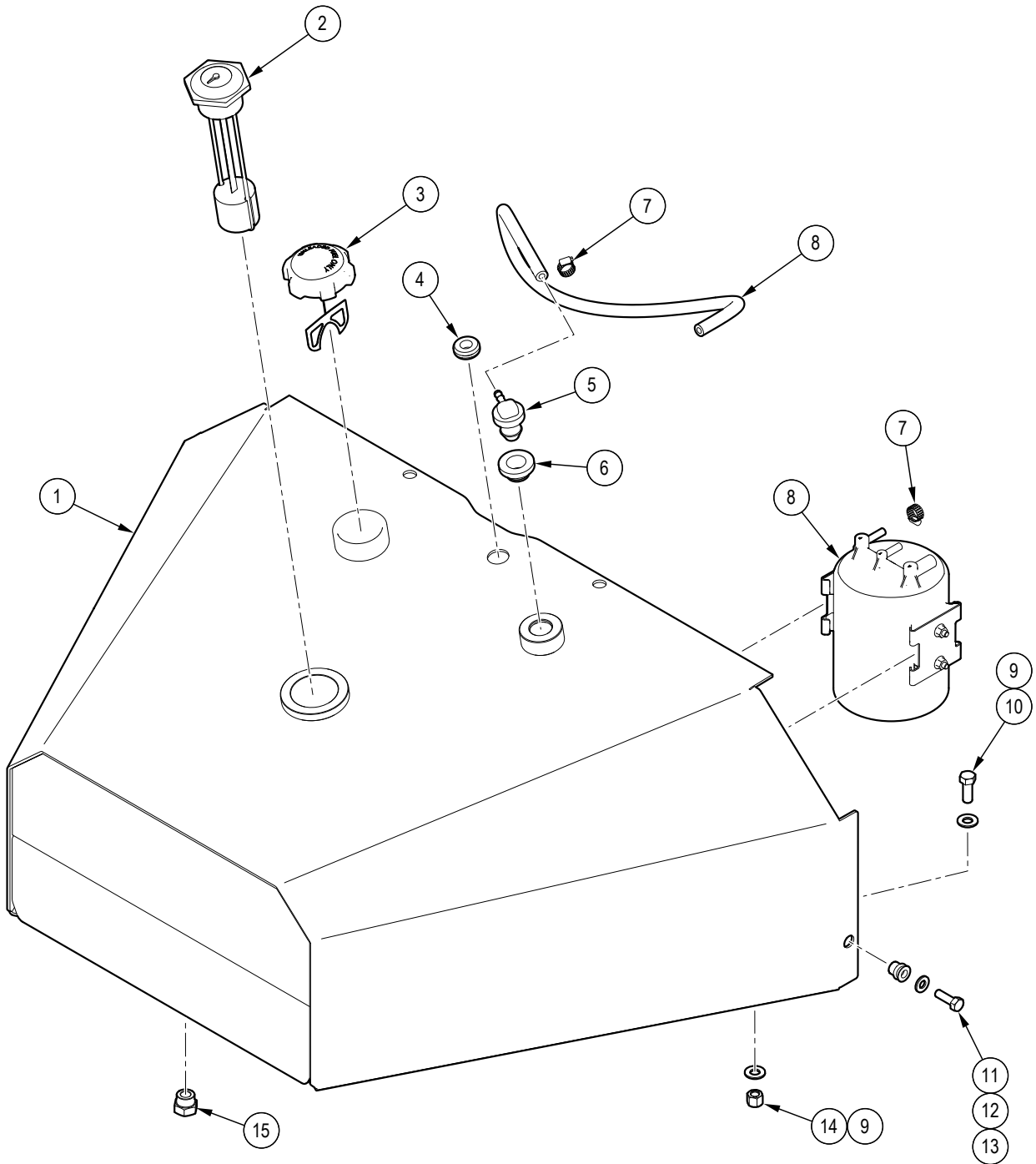
Main Frame and Guards



Item	Part No.	Description	Qty
1	1065W565	Weldment, Frame Housing	1
2	1065L571	Service Side Panel	1
3	1065L575	Top Cover, LH	1
4	Z93205	Battery, 550CCA	1
5	Z93202	J-Hook, 1/4" x 7"	2
6	1065L544	Hold-Down Strap	1
7	1065F506	Harness, Positive Battery Cable	1
8	1065F507	Harness, Negative Battery Cable	1

Item	Part No.	Description	Qty
9	Z72211	Hex Lock Nut, 1/4NC	2
10	Z73111G8	SAE Washer, 1/4" Grade 8	2
11	Z71210	Hex Bolt, 5/16NC x 1"	4
12	Z73122G8	SAE Washer, 5/16" Grade 8	4
13	Z72957	Rivet Nut, 5/16NC x 312	4

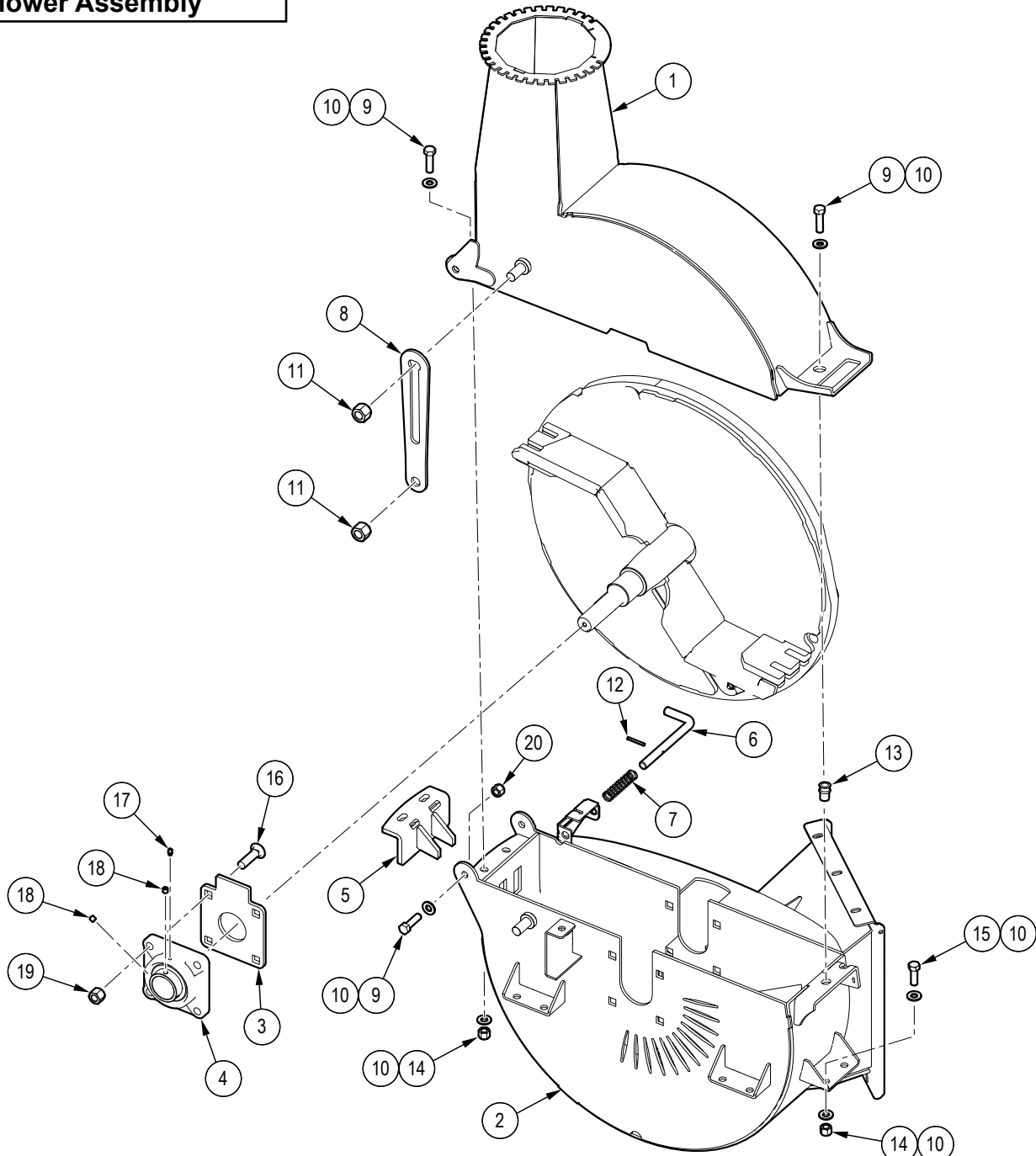
Fuel Tank



Item	Part No.	Description	Qty
1	1065W563	Fuel Tank, Trailer Chippers	1
2	Z93121	Fuel Gauge Thread Mount	1
3	Z93108	EPA Ratchet Fuel Cap	2
4	Z62830	Rubber Grommet, 1/2" x 1/8"	1
5	Z93110	EPA Remote Vent, HB04	1
6	Z93111	Vent Grommet For Z93110	1
7	Z79405	Hose Clamp, SAE #4 (5/8")	3

Item	Part No.	Description	Qty
8	Z93308	EPA Carbon Canister, 1200cc	1
9	Z73131G8	SAE Washer, 3/8" Grade 8	12
10	Z71310	Hex Bolt, 3/8NC x 1"	4
11	Z71210	Hex Bolt, 5/16NC x 1"	8
12	Z73122G8	SAE Washer, 5/16" Grade 8	4
13	Z72956	Rivet Nut, 5/16NC x 150	4
14	Z72231	Hex Lock Nut, 3/8NC	6
15	Z51692	Hex Plug, MORB 08	1

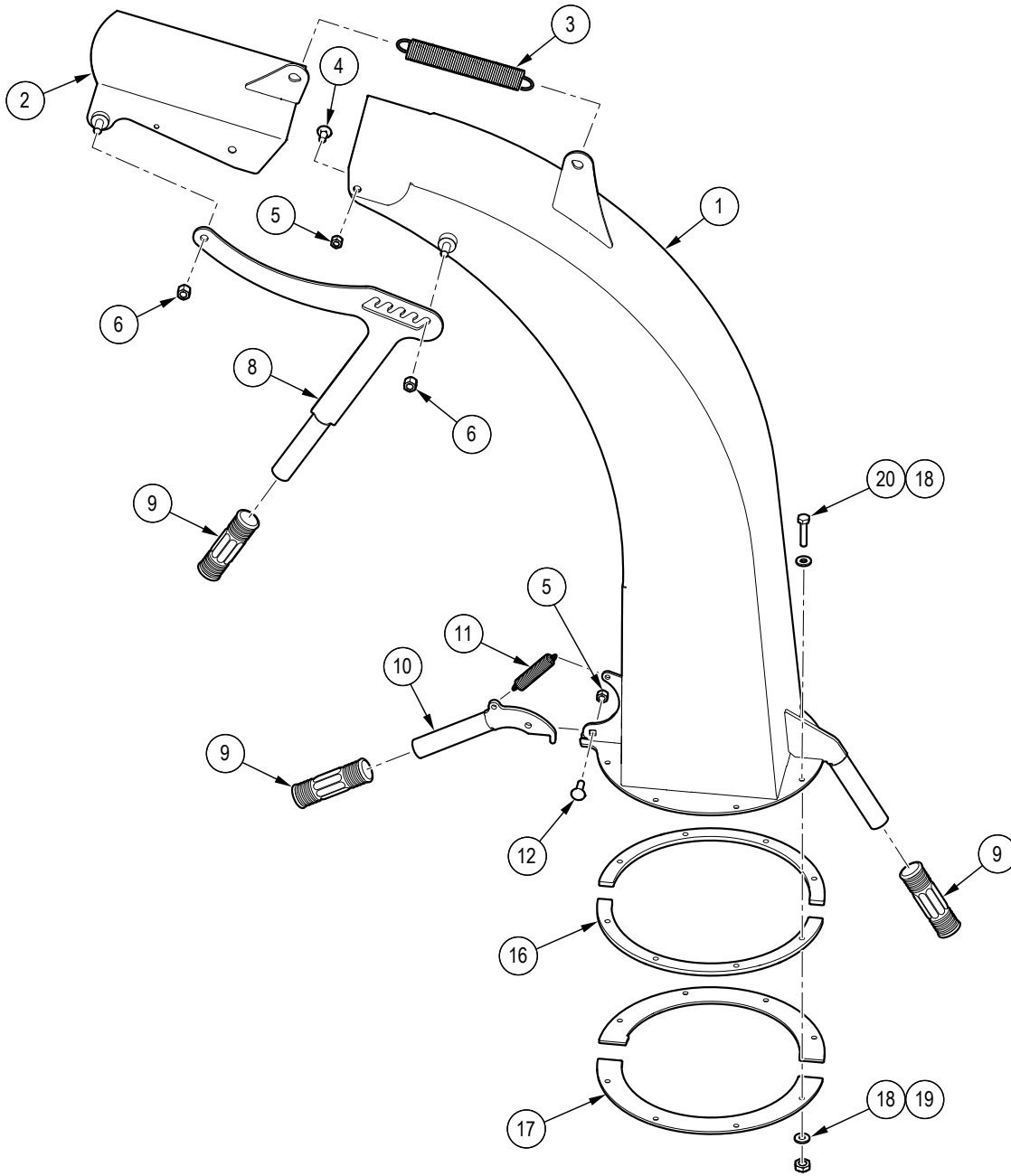
Blower Assembly



Item	Part No.	Description	Qty
1	1065W552	Upper Housing x Self Feed	1
2	1065W551	Lower Housing	1
3	1023L145	Bearing Plate, Hopper Side	1
4	Z25203	4-Bolt Flange Bearing	1
5	1065L551	Twig Breaker Plate	1
6	1026M102	L Handled Plunger, Compact	1
7	Z32305	Comp Spring	1
8	1023L155	Rotation Stop	1
9	Z71517	Hex Bolt, 1/2NC x 1-3/4"	2
10	Z73151G8	SAE Washer, 1/2" Grade 8	20

Item	Part No.	Description	Qty
11	Z72271	Hex Lock Nut, 3/4NC	2
12	Z14151	Roll Pin, 3/16" x 1-1/2"	1
13	Z72961	Rivet Nut, 1/2NC x 350	1
14	Z72251	Hex Lock Nut, 1/2NC	10
15	Z71515	Hex Bolt, 1/2NC x 1-1/2"	8
16	Z76266G8	Carriage Bolt, 5/8NC x 2-1/4" G8	4
17	Z29202	Grease Fitting, 1/4NF	1
18	Z74132	Set Screw, 3/8NF x 3/8"	2
19	Z72261G8	Hex Lock Nut, 5/8NC G8	4
20	Z72257	Hex Lock Nut 1/2NC	2

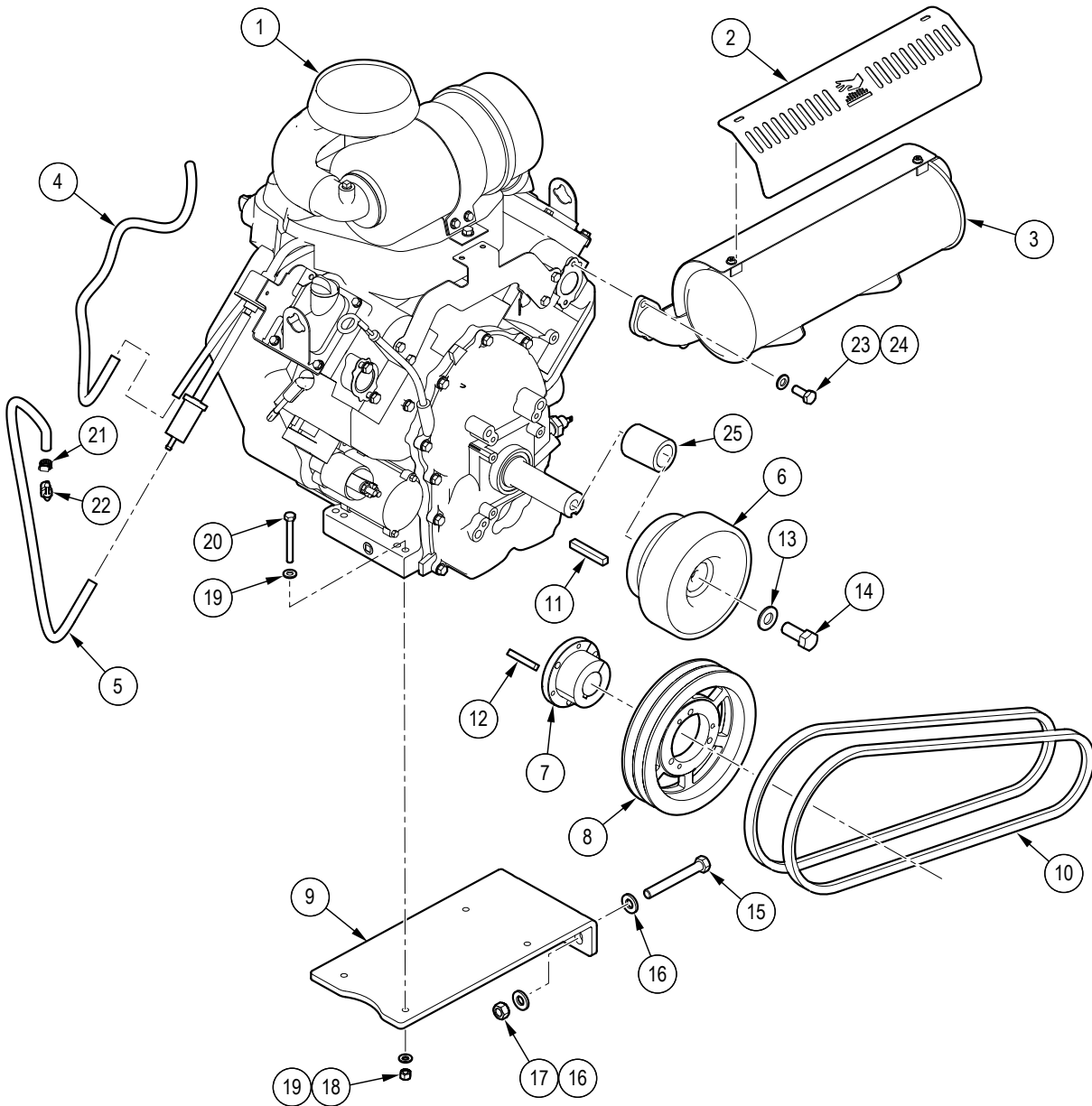
Discharge Chute Assembly



Item	Part No.	Description	Qty
1	1023W223	Weldment, Discharge Chute	1
2	1023W224	Weldment, Discharge Deflector	1
3	Z31403	Ext Spring	1
4	Z76221	Carriage Bolt, 5/16NC x 3/4"	2
5	Z72227	Hex Lock Nut, 5/16NC	2
6	Z72237	Hex Lock Nut, 3/8NC	2
8	1023W226	Deflector Handle Weldment	1

Item	Part No.	Description	Qty
13	Z19321	Handle Grip, 1"	3
16	1023L292	Spacer Ring	2
17	1065L611	Discharge Rotation Limiter	2
18	Z73111G8	SAE Washer, 1/4" Grade 8	16
19	Z72211	Hex Lock Nut, 1/4NC	8
19	Z71112	Hex Bolt, 1/4NC x 1-1/4"	8

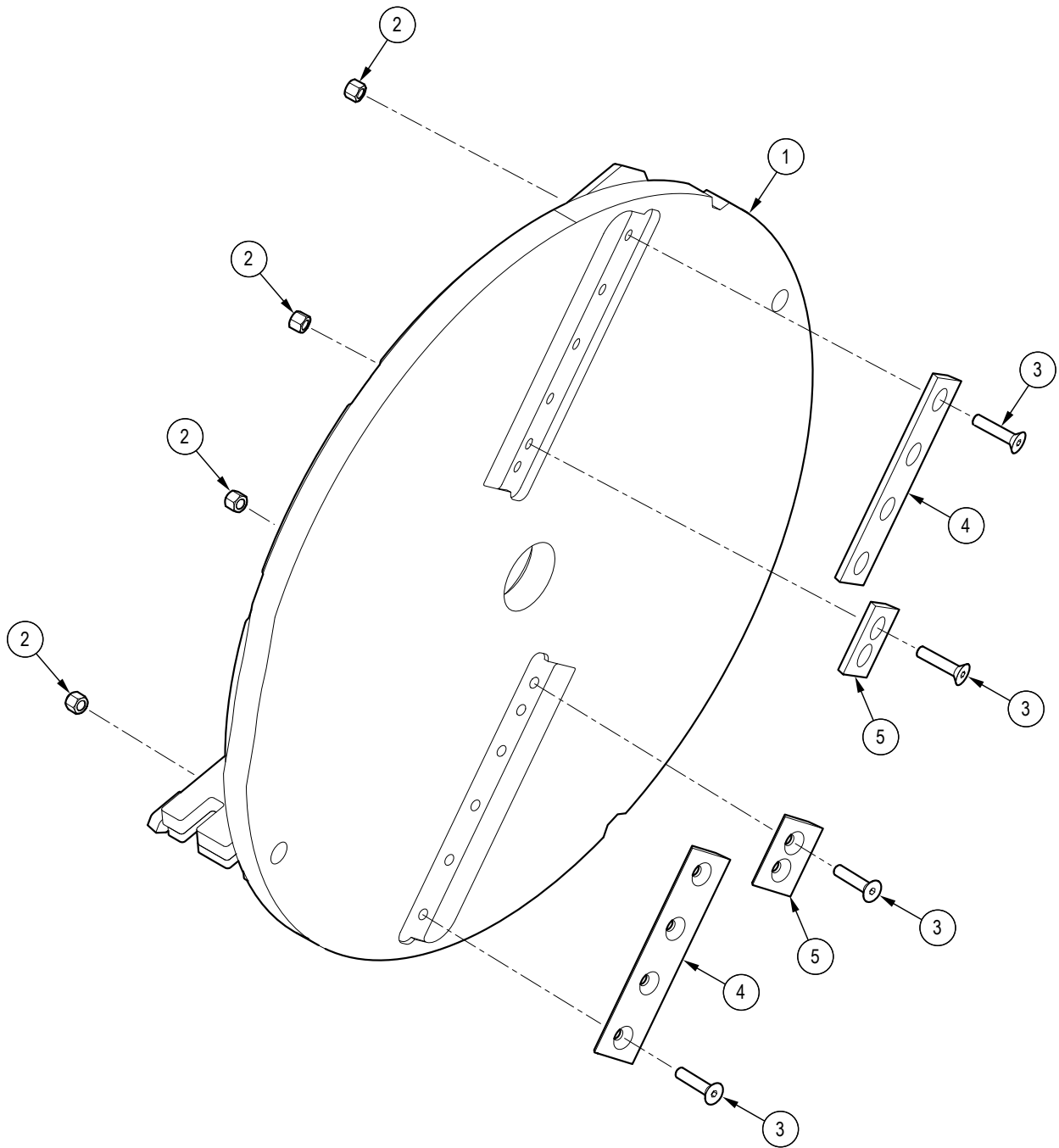
Engine and Driveline



Item	Part No.	Description	Qty
1	Z47756	Vanguard 40hp EFI E-Start	1
2	1062L683	Muffler Guard, VG 61G	1
3	Z47760	EFI Muffler, Vanguard 40hp	1
4	1065F501	EPA Fuel Line, 1/4" x 24"	1
5	1065F503	EPA Fuel Line, 1/4" x 22"	1
6	Z41903	Centrifugal Clutch, 2B46 x 1-7/16"	1
7	Z41501	Hub, SK x 1-3/8"	1
8	Z41709	Double Sheave, 2B80 x SK	1
9	1065L602	Tension Plate	1
10	Z41174	BX52 Cogged V-Belt	2
11	Z46599	Key, 5/16" x 3/8" x 2-1/4"	1
12	Z46541	Key, 5/16" x 5/16" x 2"	1

Item	Part No.	Description	Qty
13	Z73161G8	SAE Washer, 5/8" Grade 8	1
14	Z71671	Hex Bolt, 5/8NF x 1-1/2"	1
15	Z71556	Hex Bolt, 1/2NC x 4"	2
16	Z73151G8	SAE Washer, 1/2" Grade 8	4
17	Z72151	Hex Nut, 1/2NC	2
18	Z72221	Hex Lock Nut, 5/16NC	4
19	Z73122G8	SAE Washer, 5/16" Grade 8	8
20	Z71227	Hex Bolt, 5/16NC x 2-3/4"	4
21	Z79405	Hose Clamp, SAE #4 (5/8")	3
22	Z93312	Plastic Elbow 90, MP x HB 0404	1
23	Z77150	Hex Bolt, M8x1.25 x 20mm	2
24	Z77352	DIN 125 Washer, M8	2
25	1065M506	Spacer, Engine Shaft BXT72S	1

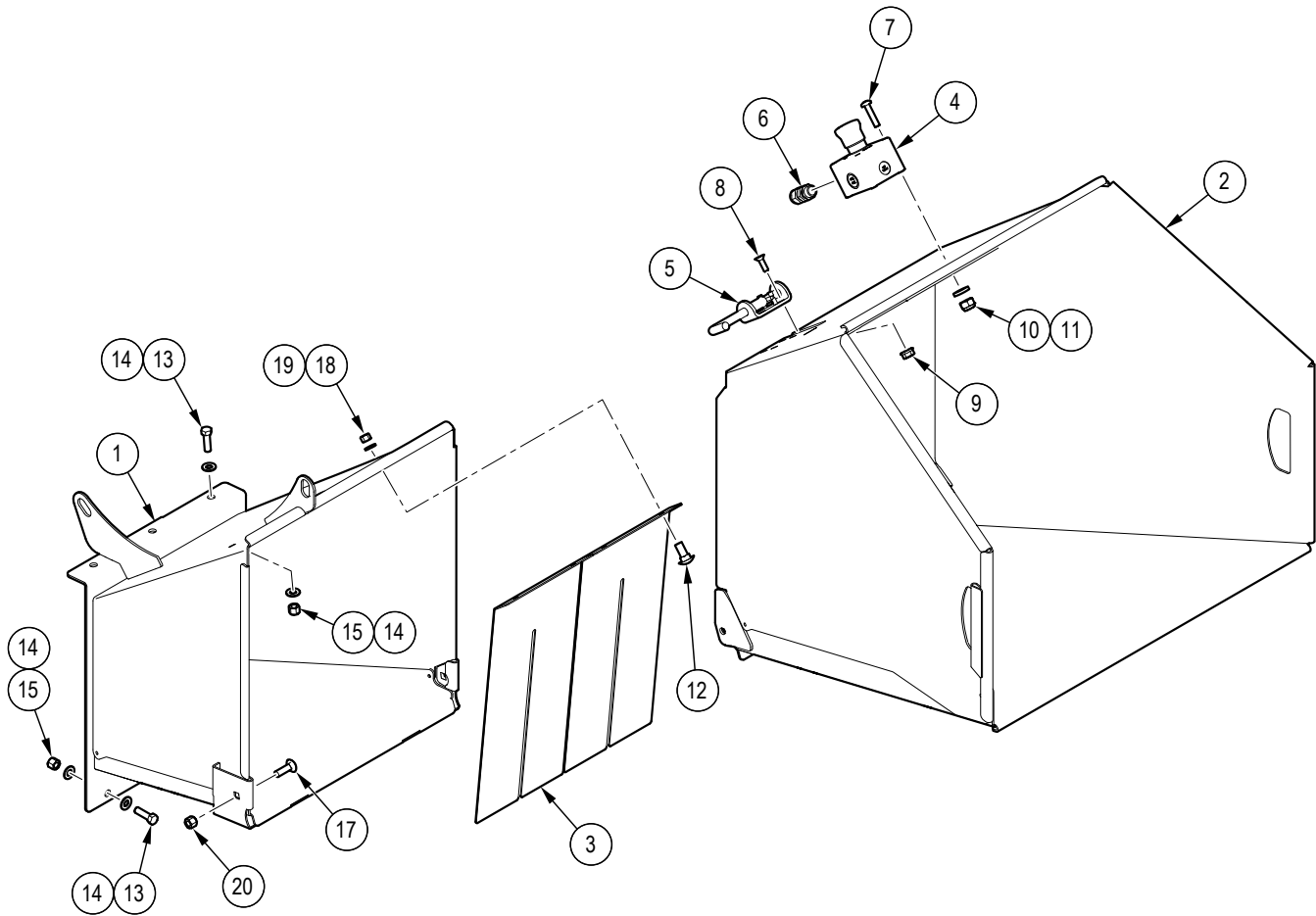
Rotor



Item	Part No.	Description	Qty
1	1065W558	Rotor Weldment, BXT72S	1
2	Z72232G8	Hex Lock Nut, 3/8NF G8	12

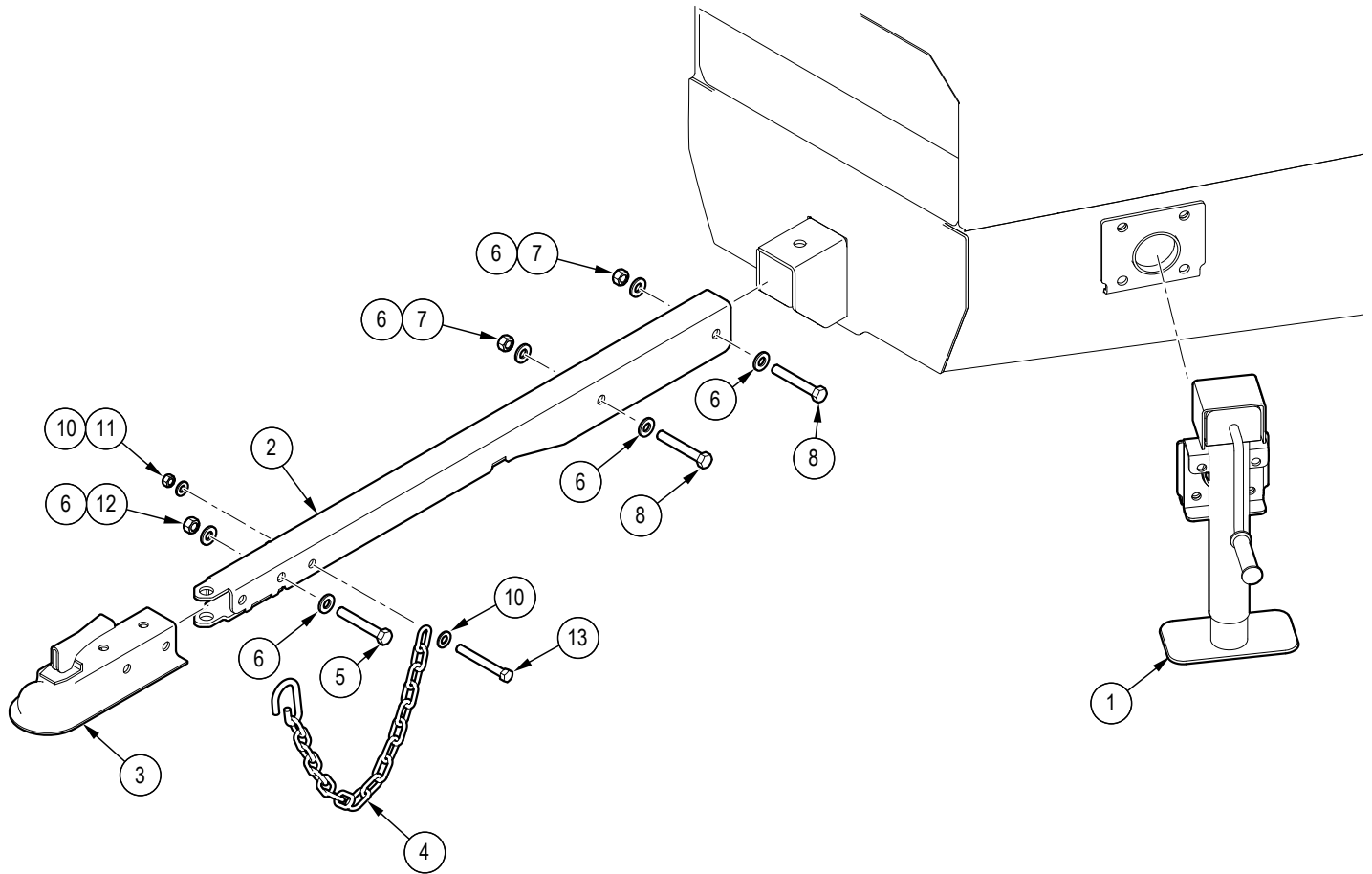
Item	Part No.	Description	Qty
3	Z75232G8	FHCS, 3/8NF x 1-3/4" G8	12
4	1065M010	Rotor Knife, 7 1/2" x 3/8"	2
5	1065M011	Rotor Knife, 2 1/2" x 3/8"	2

Self-Feed Hopper



Item	Part No.	Description	Qty	Item	Part No.	Description	Qty
1	1065W555	Weldment, Mid Hopper	1	11	Z73102	SAE Washer, #8	4
2	1065W556	Weldment, Folding Hopper	1	12	Z76221	Carriage Bolt, 5/16NC x 3/4"	4
3	1025S108	Hopper Flap, BX72S	2	13	Z71312	Hex Bolt, 3/8NC x 1-1/4"	6
4	Z66114	E-Stop Button, N/O Contact	1	14	Z73131G8	SAE Washer, 3/8" Grade 8	12
5	Z18207	Spring Latch Pin, 1/2" x 1" Stroke	1	15	Z72231	Hex Lock Nut, 3/8NC	10
6	Z62820	Straight Fitting, 3/8" Wire	1	16	Z73233	PTFE Washer, 3/8" x 1/16"	3
7	Z75107	SHCS, #8NC x 5/8"	4	17	Z76232	Carriage Bolt, 3/8NC x 1-1/4"	2
8	Z75204	FHCS, #10NF x 5/8"	4	18	Z72221	Hex Lock Nut, 5/16NC	4
9	Z72503	Serrated Flange Locknut, #10NF	4	19	Z73122G8	SAE Washer, 5/16" Grade 8	4
10	Z72202	Hex Lock Nut, #8NC	4	20	Z72237	Hex Lock Nut 3/8NC	2

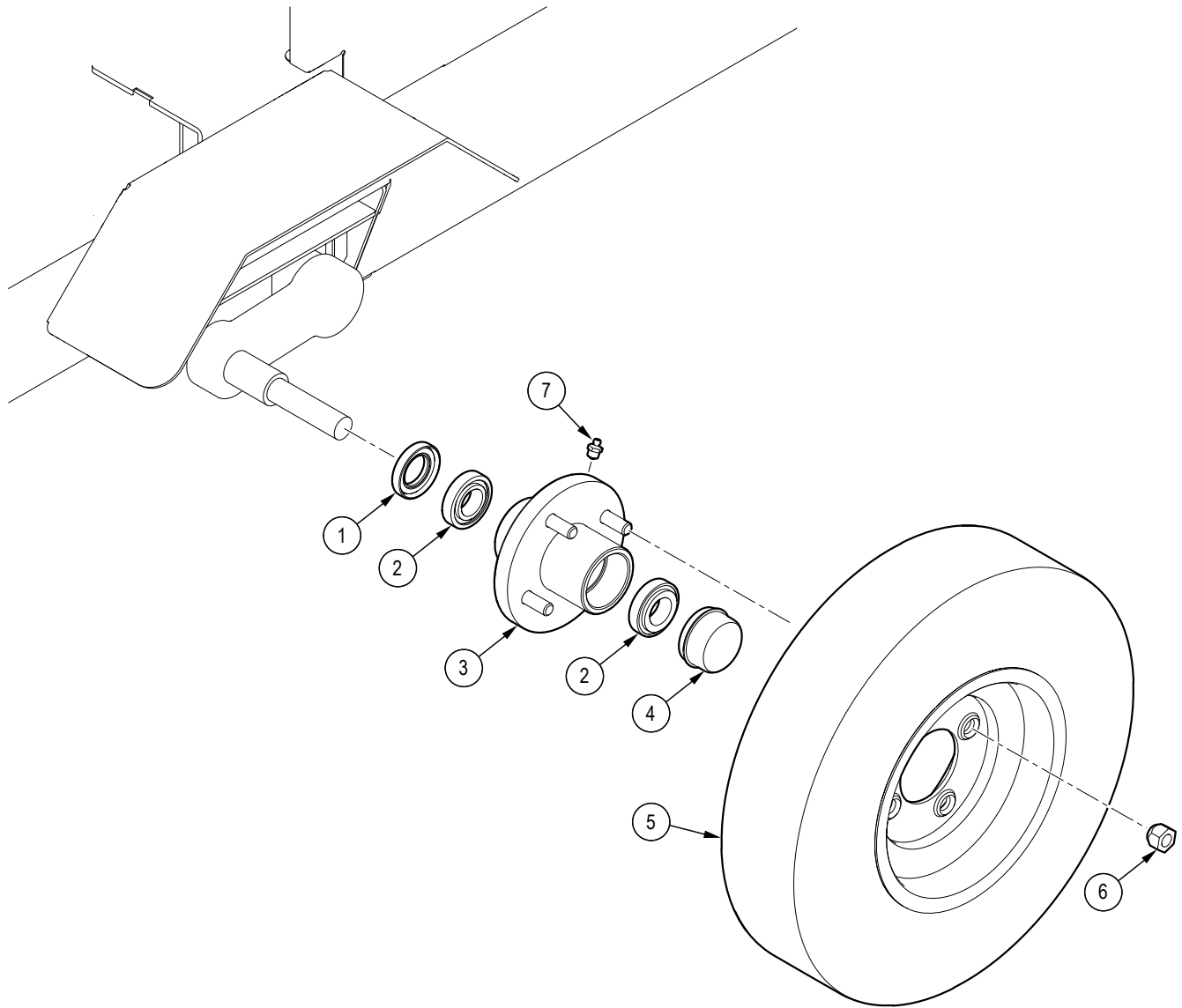
Hitch and Jack Assembly



Item	Part No.	Description	Qty
1	Z91516	Trailer Jack, Side Wind x 2000lbs	1
2	1066W505	Weldment, Tongue	1
3	Z91614	Hitch Coupler, 2" Ball x 3500lbs	1
4	Z92303	Safety Chain, 1/4" Gr43 x 2ft	2
5	Z71532	Hex Bolt, 1/2NC x 3-1/4"	2
6	Z73151G8	SAE Washer, 1/2" Grade 8	4

Item	Part No.	Description	Qty
7	Z72251	Hex Lock Nut, 1/2NC	2
8	Z71535	Hex Bolt, 1/2NC x 3-1/2"	2
10	Z73142	SAE Washer, 7/16"	2
11	Z72241	Hex Lock Nut, 7/16NC	1
12	Z72151	Hex Nut, 1/2NC	2
13	Z71435	Hex Bolt, 7/16NC x 3-1/2"	1

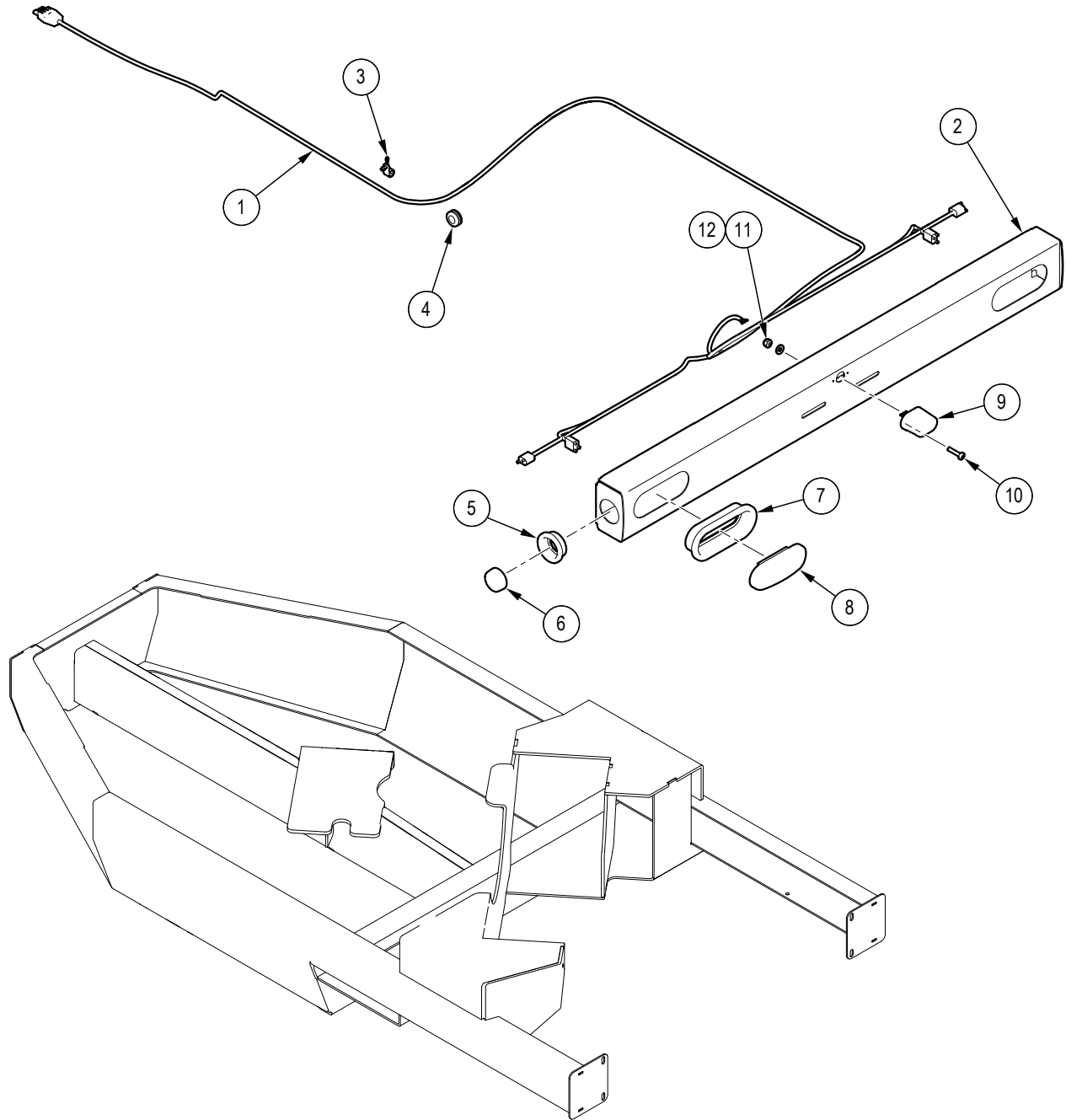
Wheel and Idler Hub



Item	Part No.	Description	Qty
1	Z28301	Double Lip Seal, 1-1/4"	2
2	Z23201	Roller Bearing	4
3	Z91201	Hub, 1000lbs x 4on4	2

Item	Part No.	Description	Qty
4	Z91801	Dust Cap, 1.98 Bore	2
5	Z91302	5.30-12 LRC 8PR P811 4on4"	2
6	Z72931	Lug Nut, 1/2NF	8
7	Z29201	Grease Fitting, MP02	2

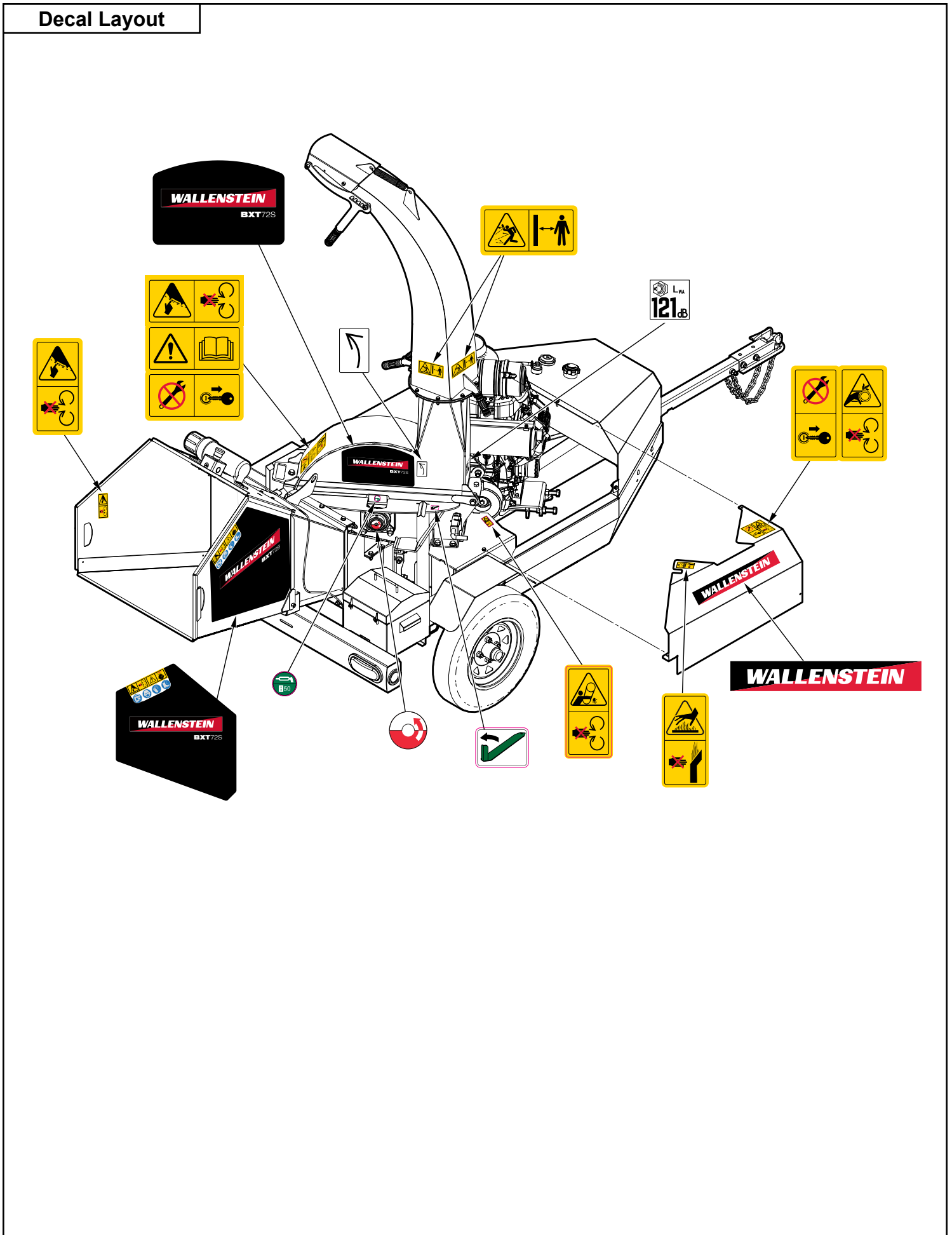
Harness and Light Bar



Item	Part No.	Description	Qty
1	1065F508	Light Harness	1
2	1065W560	Light Bar Weldment, BXT72S	1
3	Z62831	CCable Clamp, P-Type 3/8"	5
4	Z62822	Rubber Grommet, 3/4" x 1/4"	1
5	Z61202	Grommet, Round x Open Back	2
6	Z61210	Marker LED, Round x Red	2

Item	Part No.	Description	Qty
7	Z61103	Grommet, Oval x Open Back	2
8	Z61114	STT LED, Oval x Red	2
9	Z61301	License Lamp, White	1
10	Z78310	Machine Screw, #8NC x 3/4"	2
11	Z72202	Hex Lock Nut, #8NC	2
12	Z73102	SAE Washer, #8	2

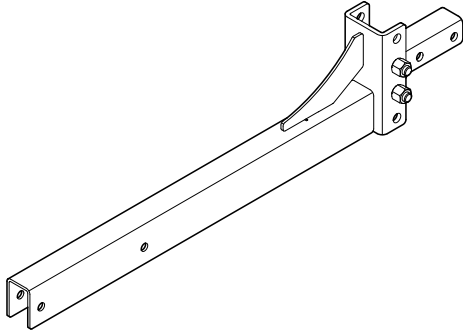
Decal Layout



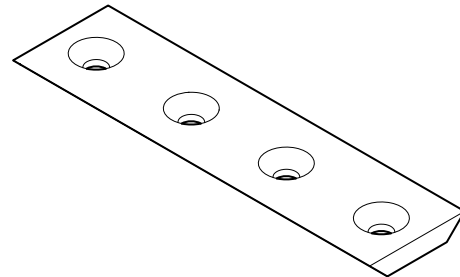
Accessories

Call your dealer for pricing and availability

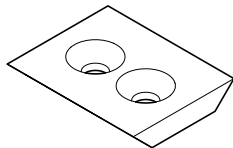
Ladder Hitch
P/N C400



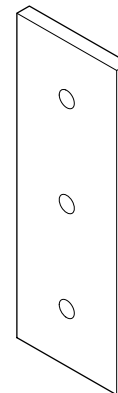
Reversible Rotor Knife
P/N 1065M010



Reversible Rotor Knife
P/N 1065M011



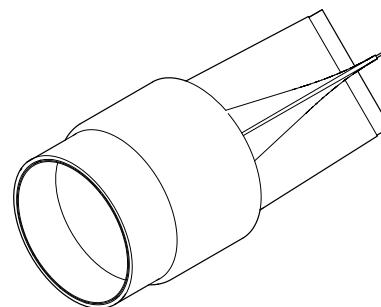
Ledger Knife
P/N 1012M204



Ledger Knife Clearance Gauge
P/N 1012L269



Spark Arrestor - Vanguard®
P/N Z47920



Bolt Torque Specifications

IMPORTANT! If you replace hardware, use fasteners of the same grade.

IMPORTANT! The torque specifications in these tables are for non-greased or non-oiled threads. Do not grease or oil fastener threads unless otherwise indicated. When using a thread lock, increase the specified torque 5%.



Bolt grades are identified by the marks on top of the bolt head.

These bolt torque specification tables provide the correct torque settings for common bolts and capscrews. Tighten all bolts to the torque that is specified in the table, unless otherwise indicated. Check the bolt tightness periodically.

Imperial Bolt Torque Specifications

Bolt Diameter	Torque					
	SAE Gr. 2		SAE Gr. 5		SAE Gr. 8	
	lbf•ft	N•m	lbf•ft	N•m	lbf•ft	N•m
1/4 inch	6	8	9	12	12	17
5/16 inch	10	13	19	25	27	36
3/8 inch	20	27	33	45	45	63
7/16 inch	30	41	53	72	75	100
1/2 inch	45	61	80	110	115	155
9/16 inch	60	95	115	155	165	220
5/8 inch	95	128	160	215	220	305
3/4 inch	165	225	290	390	400	540
7/8 inch	170	230	420	570	650	880



SAE Gr. 2



SAE Gr. 5



SAE Gr. 8

Metric Bolt Torque Specifications

Bolt Diameter	Torque			
	Gr. 8.8		Gr. 10.9	
	lbf•ft	N•m	lbf•ft	N•m
M3	0.4	0.5	1.3	1.8
M4	2.2	3	3.3	4.5
M6	7	10	11	15
M8	18	25	26	35
M10	37	50	52	70
M12	66	90	92	125
M14	83	112	116	158
M16	166	225	229	310
M20	321	435	450	610
M30	1,103	1,495	1,550	2,100



8.8



10.9

Lug Nut Torque Specifications

⚠ WARNING!

Wheel lug nuts must be installed and kept at the correct torque to prevent loose wheels, broken studs, or possible separation of a wheel from the axle.

It is an extremely important safety procedure to apply and maintain the correct torque on lug nuts that secure the wheel to the trailer axle. A calibrated torque wrench is the best tool to make sure that the correct amount of torque is applied to a fastener.

Tighten wheel lug nuts to the correct torque before the first use and after each wheel removal. After a wheel is installed, check and torque the lug nuts after the first 10 miles (16 km), 25 miles (40 km), and 50 miles (80 km). Check the lug nut torque periodically thereafter.

- Start all lug nuts onto the threads by hand.
- Tighten lug nuts in stages, following the pattern shown below the Lug Nut Torque Specifications table.

Lug Nut Torque Specifications

Wheel size	Units	First stage	Second stage	Third stage
8 inch	lbf•ft N•m	12–20 16–26	30–35 39–45.5	45–55 58.5–71.5
12 inch	lbf•ft N•m	20–25 26–32.5	35–40 45.5–52	50–60 65–78
13 inch	lbf•ft N•m	20–25 26–32.5	35–40 45.5–52	50–60 65–78
14 inch	lbf•ft N•m	20–25 26–32.5	50–60 65–78	90–120 117–156
15 inch	lbf•ft N•m	20–25 26–32.5	50–60 65–78	90–120 117–156
16 inch	lbf•ft N•m	20–25 26–32.5	50–60 65–78	90–120 117–156

Lug nut torque pattern:

