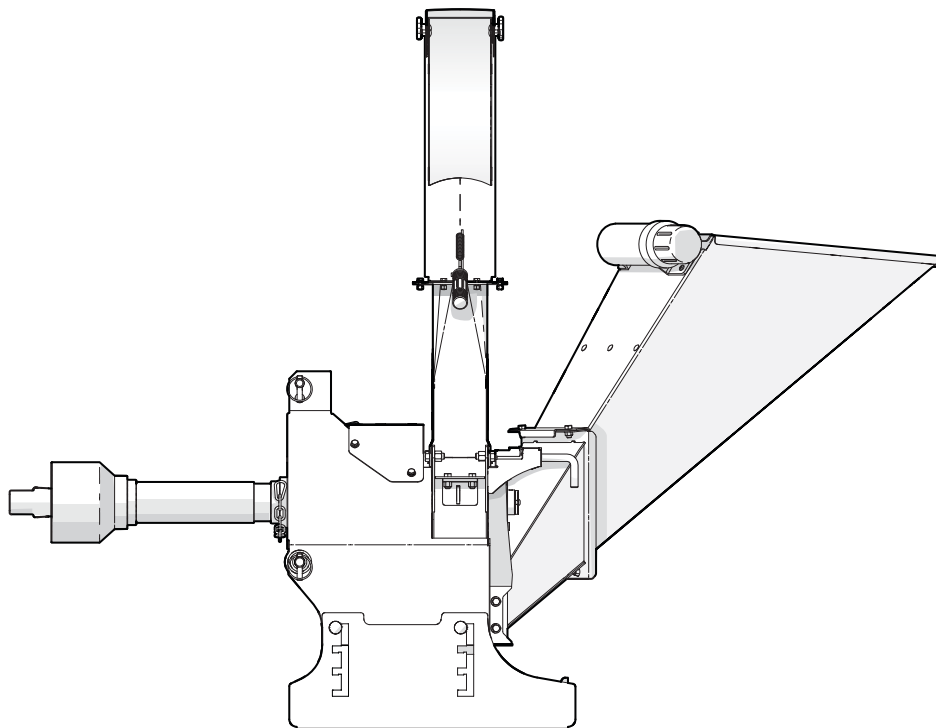


# PARTS MANUAL

---

Serial number 136S0001 to 136S2601, 100036 to 100211, 1100000 and up

## **BX36S** **Wood Chipper**



## **Table of Contents**

<b>Introduction .....</b>	<b>3</b>
<b>Model and Serial Number Location.....</b>	<b>3</b>
<b>Main Frame Assembly.....</b>	<b>4</b>
<b>Discharge Chute.....</b>	<b>5</b>
<b>Rotor Assembly .....</b>	<b>6</b>
<b>Lower Rotor Housing .....</b>	<b>8</b>
<b>Label Locations - Left Side .....</b>	<b>9</b>
<b>Label Locations - Right Side.....</b>	<b>10</b>
<b>Accessories .....</b>	<b>11</b>
<b>Bolt Torque .....</b>	<b>12</b>

## Introduction

### **! WARNING!**

For safety, operation, and maintenance information, see the Operator's Manual for your product.

Only qualified people are approved to maintain the machine.

### **! WARNING!**

Replace all safety labels that are missing, damaged, or illegible. If a component is replaced and it has a safety label on it, apply a safety label to the new component. If a person operates a machine with missing, damaged, or illegible safety labels it puts them at risk of serious injury or death.

W100

This document provides information about the original equipment manufacturer (OEM) components (parts). Always replace a part with the correct OEM part. For service, support, or to order parts, contact your local Wallenstein Equipment dealer or distributor.

Always provide the model and serial number of your Wallenstein product when you order parts, or request service or other information. The model and serial number location is shown in the following illustration.

Record the model and serial number of your product here:

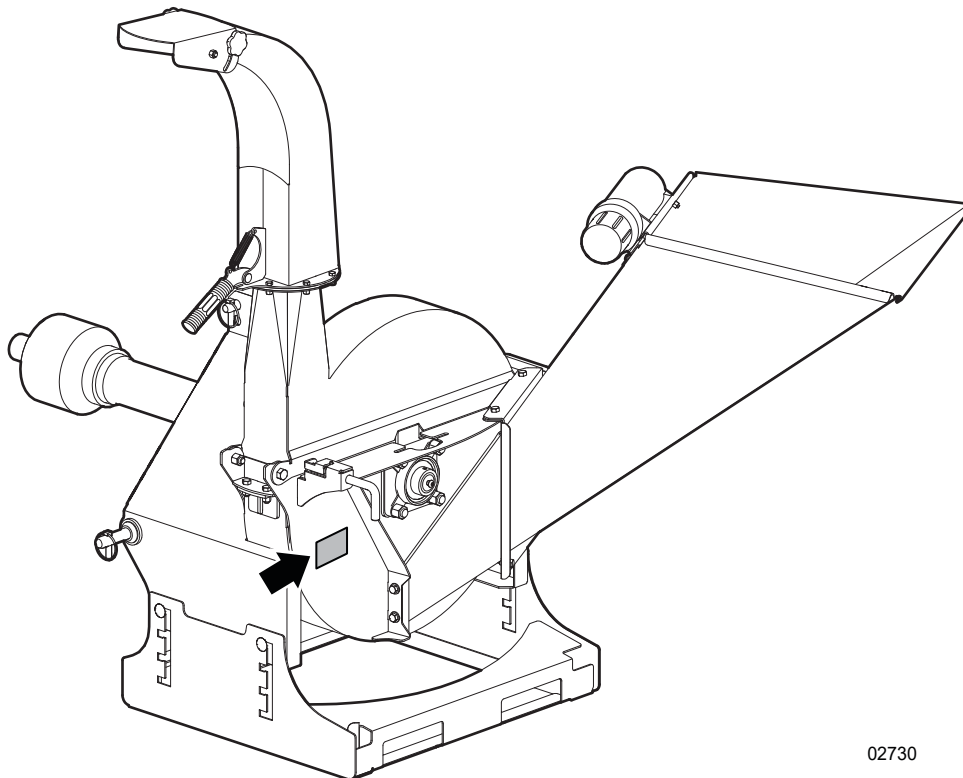
<b>Model</b>	
<b>Serial Number</b>	

The information contained in this document was current at the revision date noted on the bottom of each page. Wallenstein Equipment reserves the right to change product specifications at any time without notice. If your product specifications are different from the information in this document, contact your local dealer or distributor. To find a local dealer or distributor, go to [WallensteinEquipment.com](http://WallensteinEquipment.com) and select **Dealer Locator** at the bottom of the page.

**Wallenstein Equipment Inc. • © 2024. All rights reserved.**

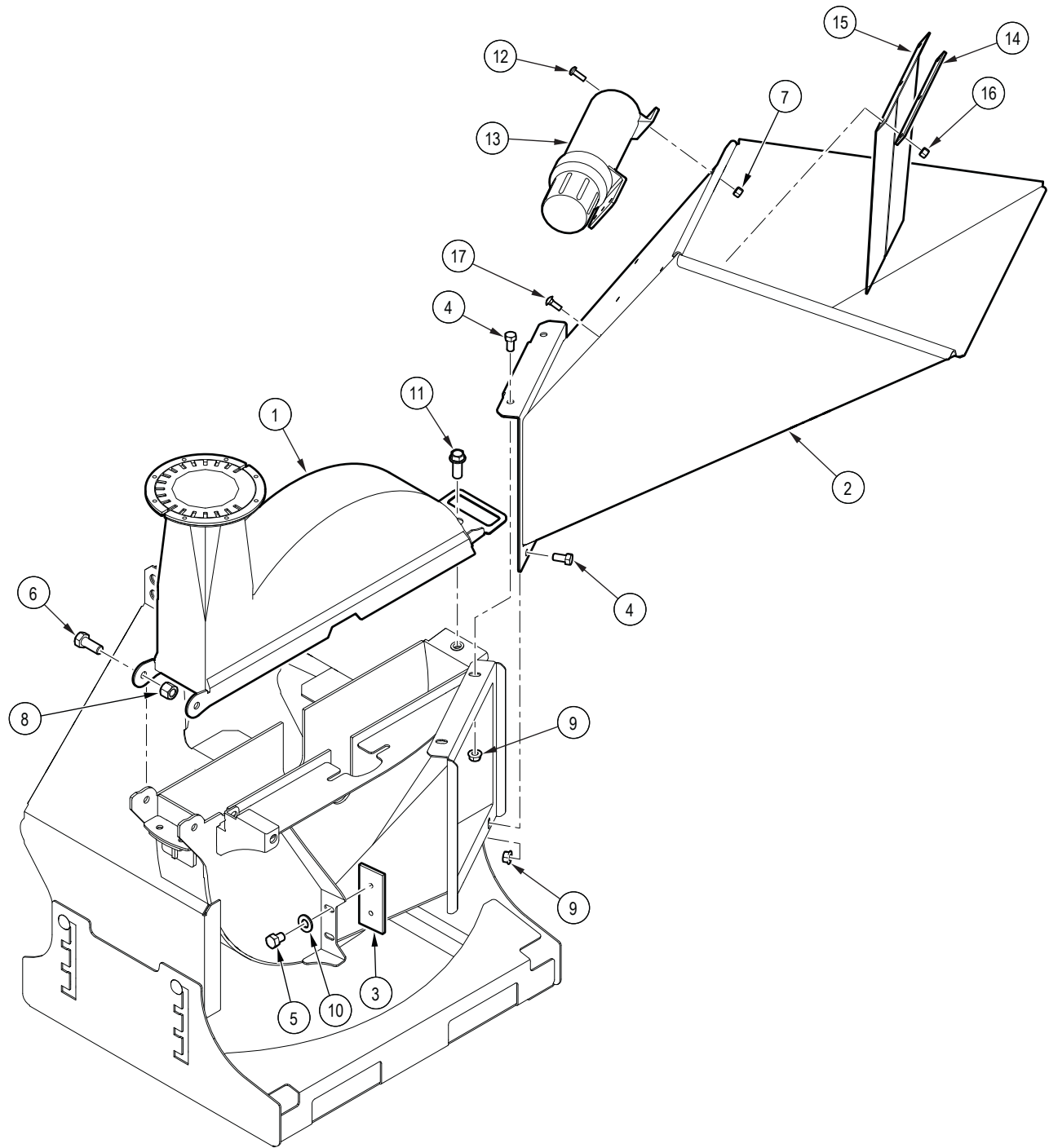
No part of this work may be copied, reproduced, replaced, distributed, published, displayed, modified, or transferred in any form or by any means except with the prior permission of Wallenstein Equipment Inc.

## Model and Serial Number Location



02730

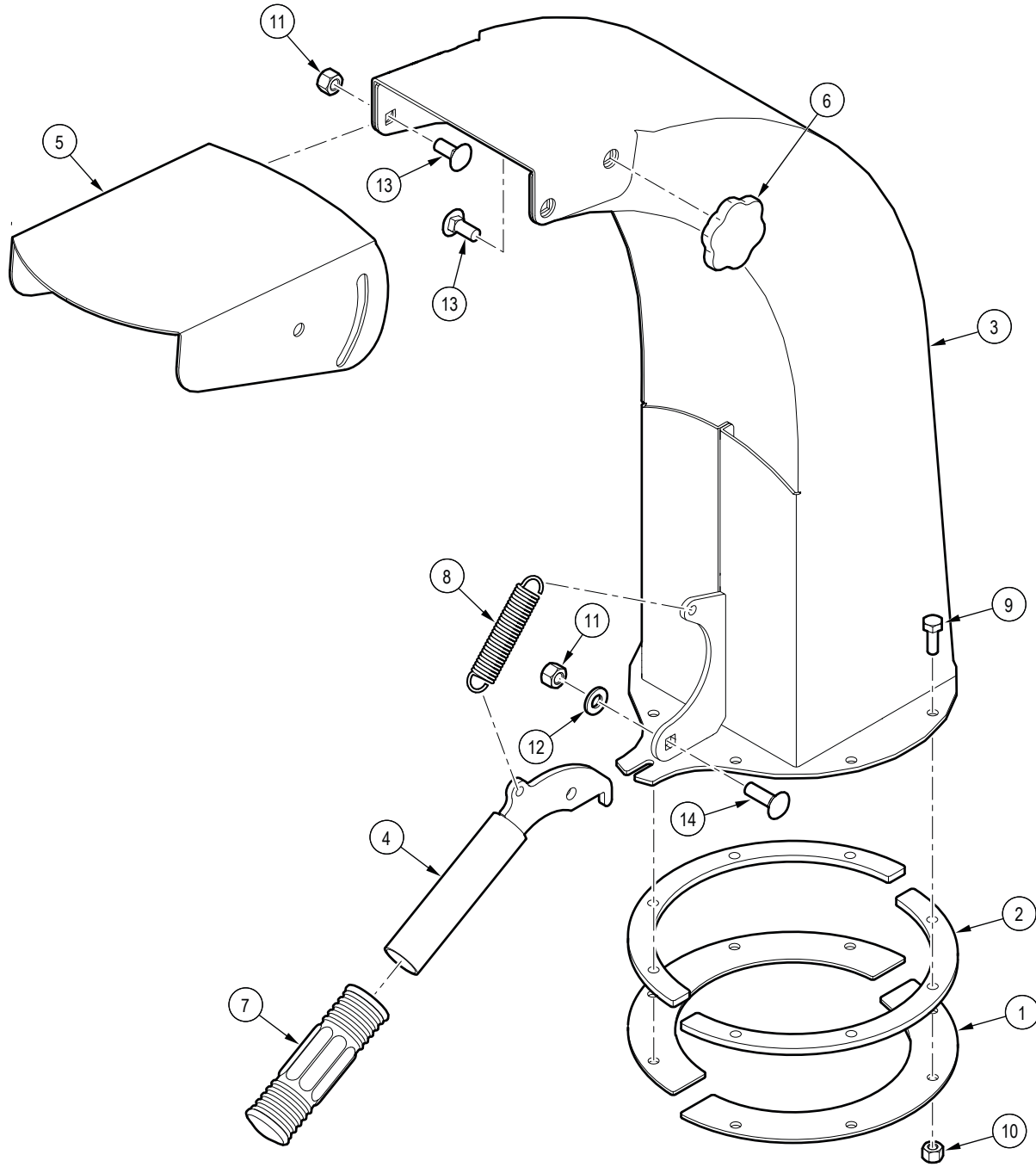
# Main Frame Assembly



Item	Part number	Description	Quantity
1	1026W104	Upper Rotor Housing	1
2	1026W110	BX36S Hopper	1
3	1056M304	Knife, 3" Ledger	1
4	Z71307	Hex Bolt, 3/8NC x 3/4"	4
5	Z71376G8	Hex Bolt, 3/8NF x 1/2" G8	2
6	Z71512	Hex Bolt, 1/2NC x 1-1/4"	2
7	Z72211	Hex Lock Nut, 1/4NC	3
8	Z72251	Hex Lock Nut, 1/2NC	2
9	Z72531	Serrated Flange Locknut, 3/8NC	4

Item	Part number	Description	Quantity
10	Z73131	SAE Washer, 3/8"	2
11	Z76152	Flange Bolt, 1/2NC x 1-1/4"	1
12	Z78301	Machine Screw, 1/4NC x 3/4"	3
13	Z96503	Manual Tube, 3-1/2" Short	1
14	1018L994	Chipper Chute Flap Clamp	1
15	1056S604	Flap, Hopper	1
16	Z72211	Hex Lock Nut, 1/4NC	3
17	Z76211	Carriage Bolt, 1/4NC x 3/4"	3

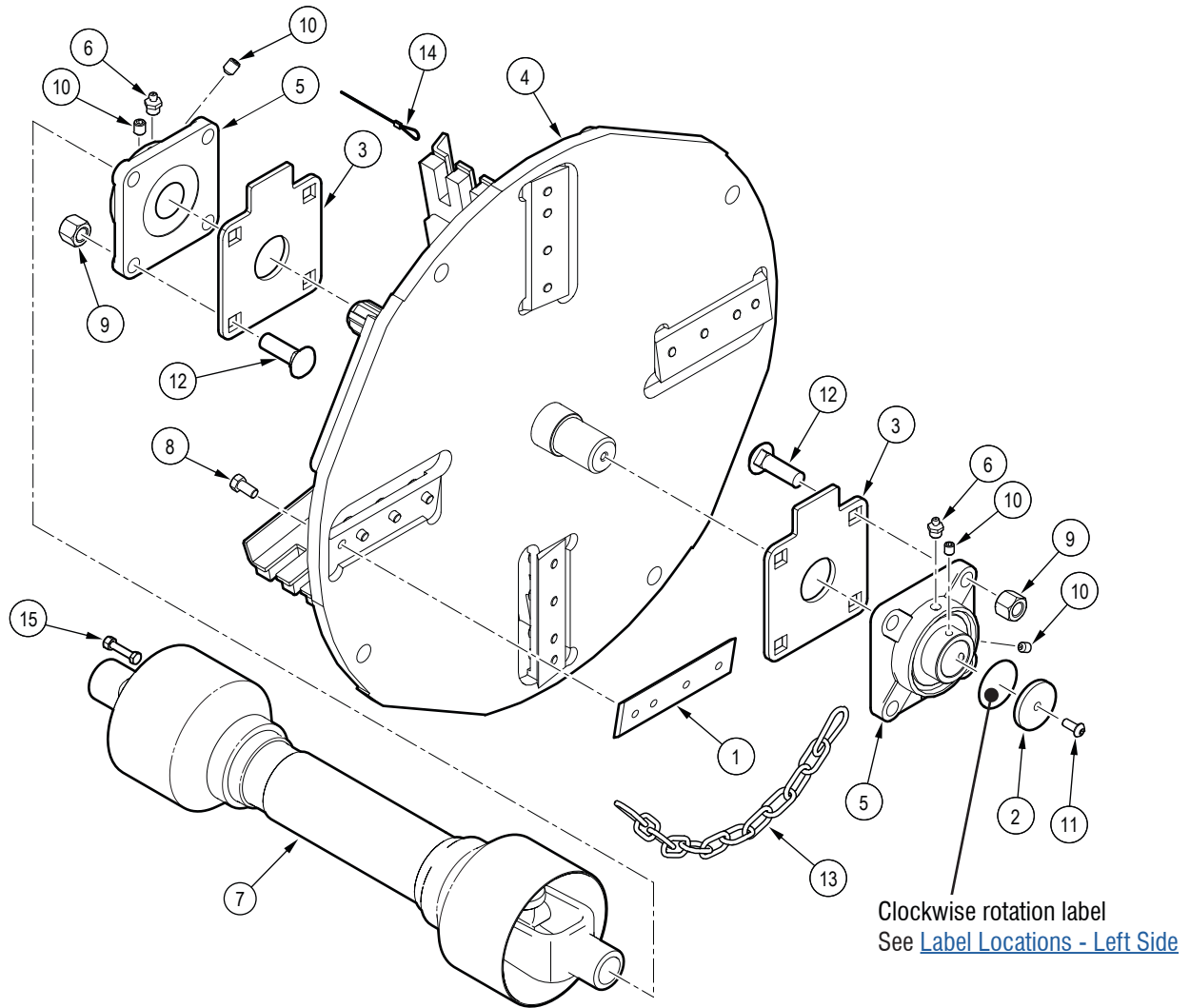
# Discharge Chute



Item	Part number	Description	Quantity
1	1026L133	Hood Capture Ring	2
2	1026L134	Spacer Ring	2
3	1026W106	Discharge Chute, Weldment	1
4	1026W108	Discharge Latch, Weldment	1
5	1056L333	Deflector, Discharge Chute	1
6	Z19313	Hand Knob, 5/16NC	2
7	Z19321	Handle Grip, 1"	1

Item	Part number	Description	Quantity
8	Z31305	Ext Spring, 5/8" OD x 3" x 0.08"	1
9	Z71107	Hex Bolt, 1/4NC x 3/4"	8
10	Z72211	Hex Lock Nut, 1/4NC	8
11	Z72221	Hex Lock Nut, 5/16NC	3
12	Z73122	SAE Washer, 5/16"	1
13	Z76221	Carriage Bolt, 5/16NC x 3/4"	4
14	Z76225	Carriage Bolt, 5/16NC x 1"	1

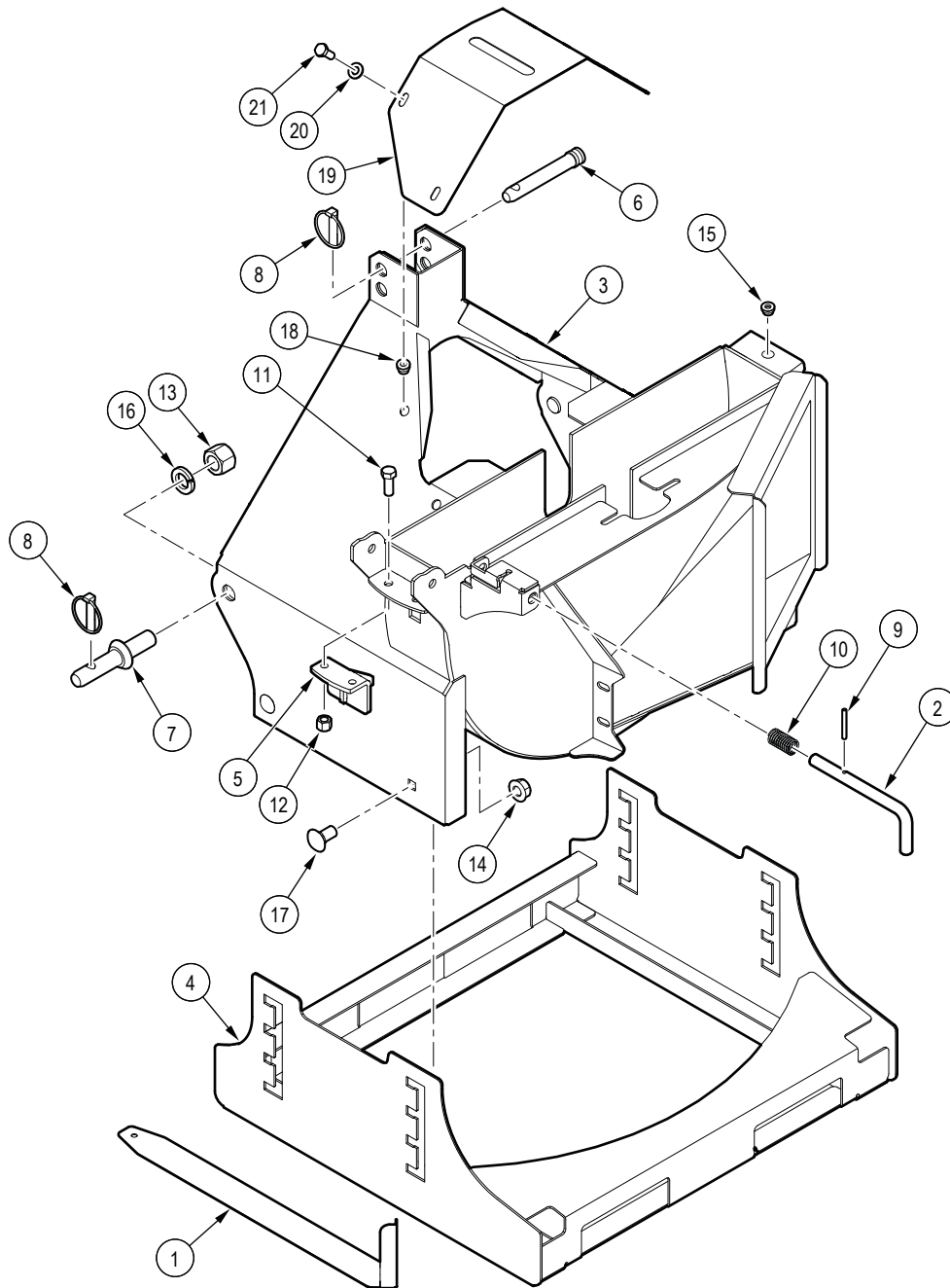
# Rotor Assembly



Item	Part number	Description	Quantity
1	1011M103	Knife, 4" Rotor	4
2	1021S102	Rotation Indicator Cover	1
3	1024L107	Bearing Plate, BX52	2
4	1026W101	Rotor, 3" Capacity x 4 Knives	1
5	Z25204	4-Bolt Flange Bearing, UCF208-24	2
6	Z29201	Grease Fitting, MP02	2
7	Z44402	PTO Shaft, Series B4 x 32.402"	1
8	Z71372G8	Hex Bolt, 3/8NF x 5/8" G8	16
9	Z72261G8	Hex Lock Nut, 5/8NC G8	8

Item	Part number	Description	Quantity
10	Z74122	Set Screw, 5/16NF x 3/8"	4
11	Z75351	BHCS, 5/16NF x 3/4"	1
12	Z76261G8	Carriage Bolt, 5/8NC x 2" G8	8
13	Z92310	PTO Support Chain, 3/16" x 1ft with Two Snaps	1
14	Z92127	Aircraft Cable, 1/16" x 16"	1
15	Z19402	Shear bolt, M8x1.25 x 45 mm G8.8 with locknut (package of 5)	1

## Lower Rotor Housing



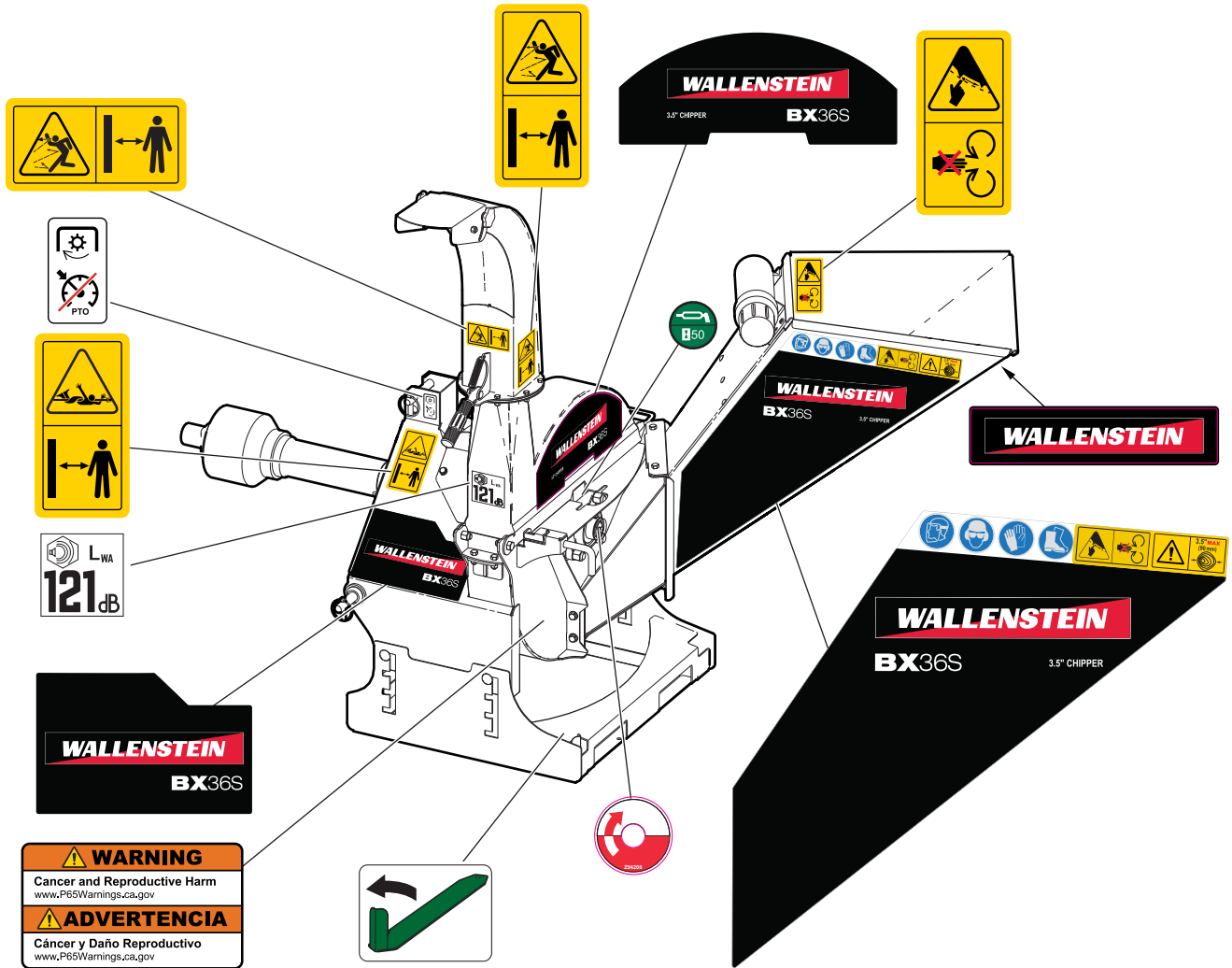
Item	Part number	Description	Quantity
1	1012L269	Gauge, Ledger Setting	1
2	1026M102	L Handed Plunger, Compact	1
3	1026W102	Lower Rotor Housing	1
4	1026W105	Adjustable Ski Base	1
5	1026W124	Twig Breaker, Single Tooth	1
6	Z11122	Toplink Pin, 3/4" x 3-7/8"	1
7	Z11431	Implement Pin, 7/8" x 1-3/4" x 7/8NF	2
8	Z12140	Linchpin, 7/16"	3
9	Z14151	Roll Pin, 3/16" x 1-1/2"	1
10	Z32305	Compression Spring, 0.845" OD x 3-1/2" x 0.085"	1

Item	Part number	Description	Quantity
11	Z71310	Hex Bolt, 3/8NC x 1"	2
12	Z72231	Hex Lock Nut, 3/8NC	2
13	Z72282	Hex Lock Nut, 7/8NF	2
14	Z72551	Serrated Flange Locknut, 1/2NC	4
15	Z72960	Rivet Nut, 1/2NC x 200	1
16	Z73381	Split Lock Washer, 7/8"	2
17	Z76252	Carriage Bolt, 1/2NC x 1"	4
18	Z77937	Rivet Nut, M8 x 1.25 x 150	4
19	1026L154	PTO Guard	1
20	Z73122	SAE Washer, 5/16"	4
21	Z77150	Hex Bolt, M8 x 1.25 x 20 mm	4

# Label Locations - Left Side

**IMPORTANT!** If you replace a part that has a safety label on it, you must apply a new safety label. Immediately replace safety labels that are damaged, have been removed, or are illegible.

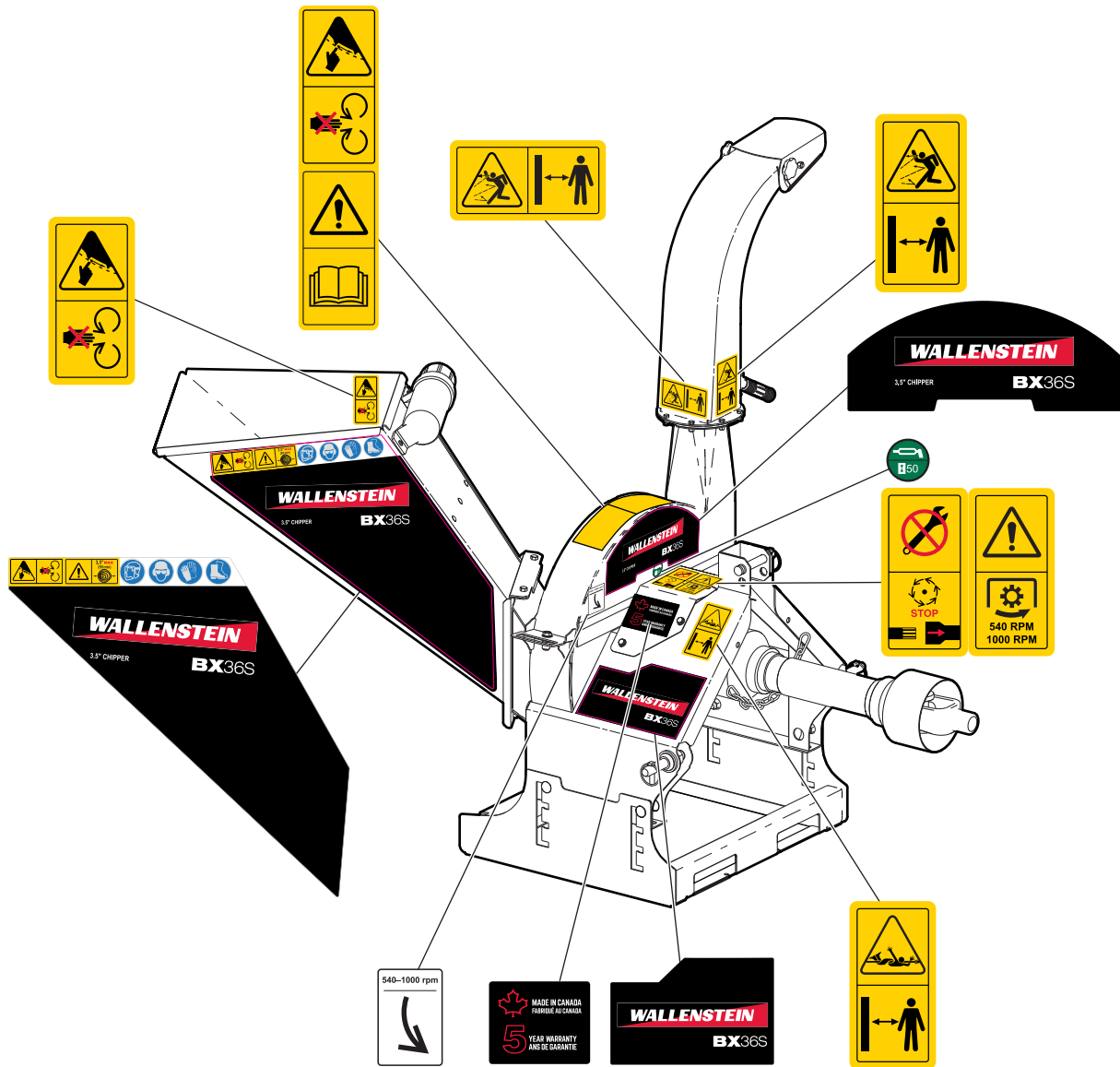
Contact your local Wallenstein Equipment dealer or distributor to order a safety label kit. Labels are not sold individually.





# Label Locations - Right Side

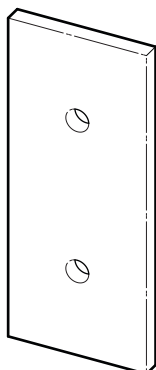
**IMPORTANT!** If you replace a part that has a safety label on it, you must apply a new safety label. Immediately replace safety labels that are damaged, have been removed, or are illegible.



## Accessories

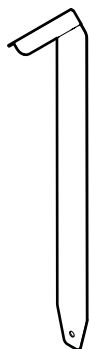
For price and availability, contact your local Wallenstein dealer or distributor.

For accessory installation instructions, go to [WallensteinEquipment.com/Support.aspx](http://WallensteinEquipment.com/Support.aspx), and then select **Accessories**.



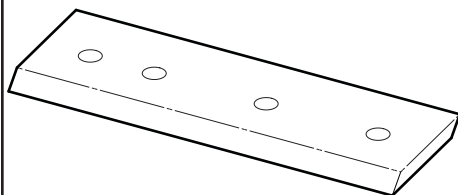
**Ledger Knife**  
**1056M304**

A replacement ledger knife.



**Ledger Knife Clearance Gauge**  
**1012L269**

Easily set the correct clearance when you change or adjust the ledger knife or rotor knives.



**Reversible Rotor Knife**  
**1011M103**

A replacement reversible rotor knife.

## Bolt Torque

**IMPORTANT!** If you replace hardware, use fasteners of the same grade.

**IMPORTANT!** The torque specifications in these tables are for non-greased or non-oiled threads. Do not grease or oil fastener threads unless otherwise indicated. When using a thread lock, increase the specified torque 5%.



Bolt grades are identified by the marks on the bolt head.

The bolt torque specification tables provide the correct torque settings for common bolts and capscrews. Tighten all bolts to the torque that is specified in the table, unless otherwise indicated. Check the bolt tightness periodically.

### Imperial Bolt Torque Specifications

Bolt Diameter	Torque					
	SAE Gr. 2		SAE Gr. 5		SAE Gr. 8	
	lbf•ft	N•m	lbf•ft	N•m	lbf•ft	N•m
<b>1/4 inch</b>	6	8	9	12	12	17
<b>5/16 inch</b>	10	13	19	25	27	36
<b>3/8 inch</b>	20	27	33	45	45	63
<b>7/16 inch</b>	30	41	53	72	75	100
<b>1/2 inch</b>	45	61	80	110	115	155
<b>9/16 inch</b>	60	95	115	155	165	220
<b>5/8 inch</b>	95	128	160	215	220	305
<b>3/4 inch</b>	165	225	290	390	400	540
<b>7/8 inch</b>	170	230	420	570	650	880



SAE Gr. 2



SAE Gr. 5



SAE Gr. 8

### Metric Bolt Torque Specifications

Bolt Diameter	Torque			
	Gr. 8.8		Gr. 10.9	
	lbf•ft	N•m	lbf•ft	N•m
<b>M3</b>	0.4	0.5	1.3	1.8
<b>M4</b>	2.2	3	3.3	4.5
<b>M6</b>	7	10	11	15
<b>M8</b>	18	25	26	35
<b>M10</b>	37	50	52	70
<b>M12</b>	66	90	92	125
<b>M14</b>	83	112	116	158
<b>M16</b>	166	225	229	310
<b>M20</b>	321	435	450	610
<b>M30</b>	1,103	1,495	1,550	2,100



8.8



10.9



A series of horizontal lines spanning the width of the page, providing a template for handwritten notes or a list.



**MAKING WORK FEEL MORE LIKE PLAY™**

[WallensteinEquipment.com](http://WallensteinEquipment.com)

