



MX25 Manure Spreader Parts Manual

S/N 725G100 to 725G270



Foreword

EMB Mfg. has prepared this parts manual to assist customers in ordering quality OEM replacement parts.

Proper and regular service and replacing old, worn or broken parts with the correct Wallenstein parts are essential to prolonging the life of your Wallenstein product. Please refer to this manual before ordering any replacement parts.

All information contained in this parts manual is based on the latest product specification available at the time of printing this manual. If your product differs from the specifications contained within this manual contact EMB Mfg. for information.

EMB reserves the right to alter specifications on their products at any time.

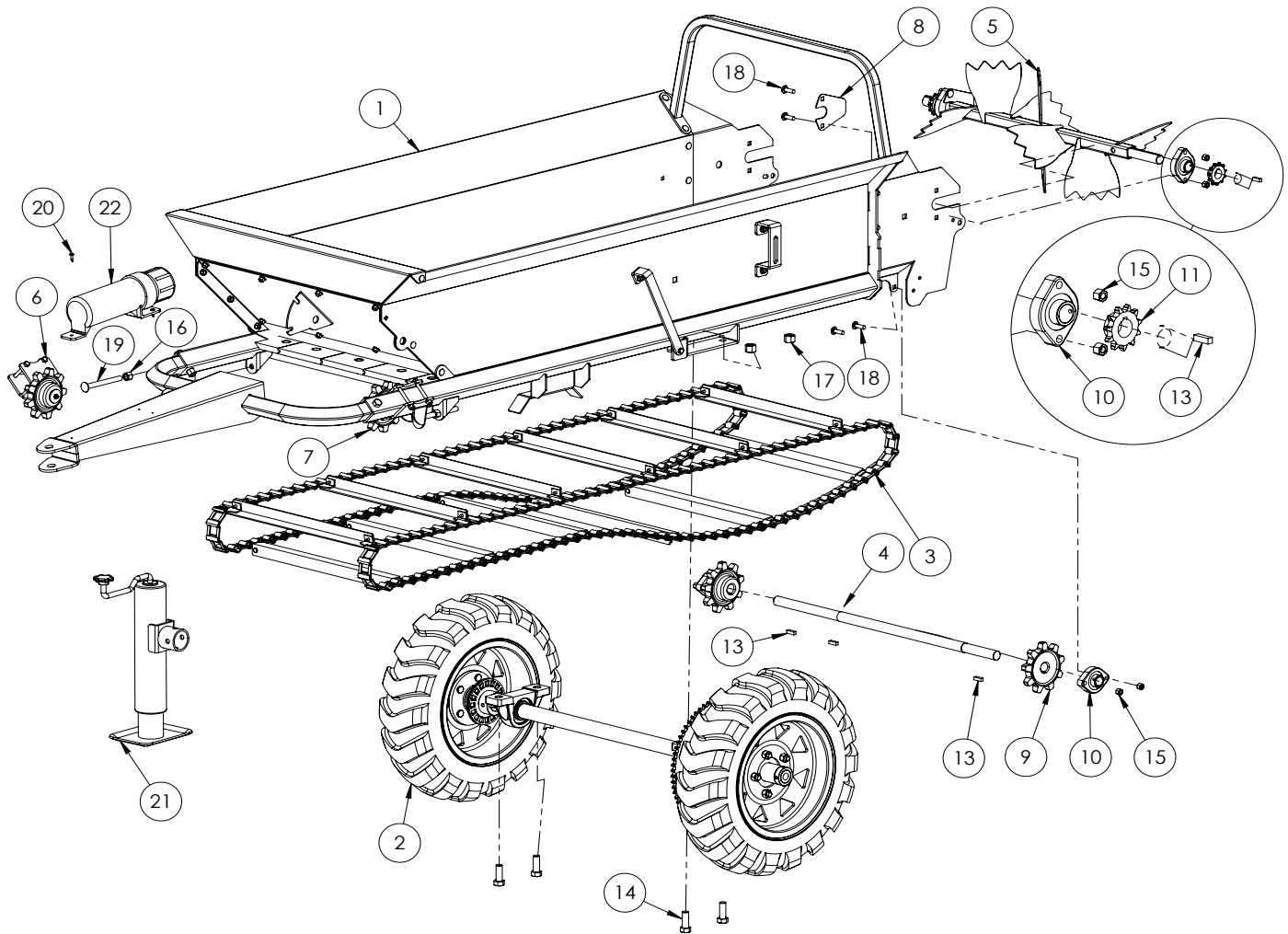
Reproduction of this parts manual of any kind is prohibited without prior written permission from EMB Mfg.

Note: Products with factory installed light kits will have a VIN number included. The last six numbers of this VIN number are the splitters serial number

Example: 2E9US1112BSXXXXXX

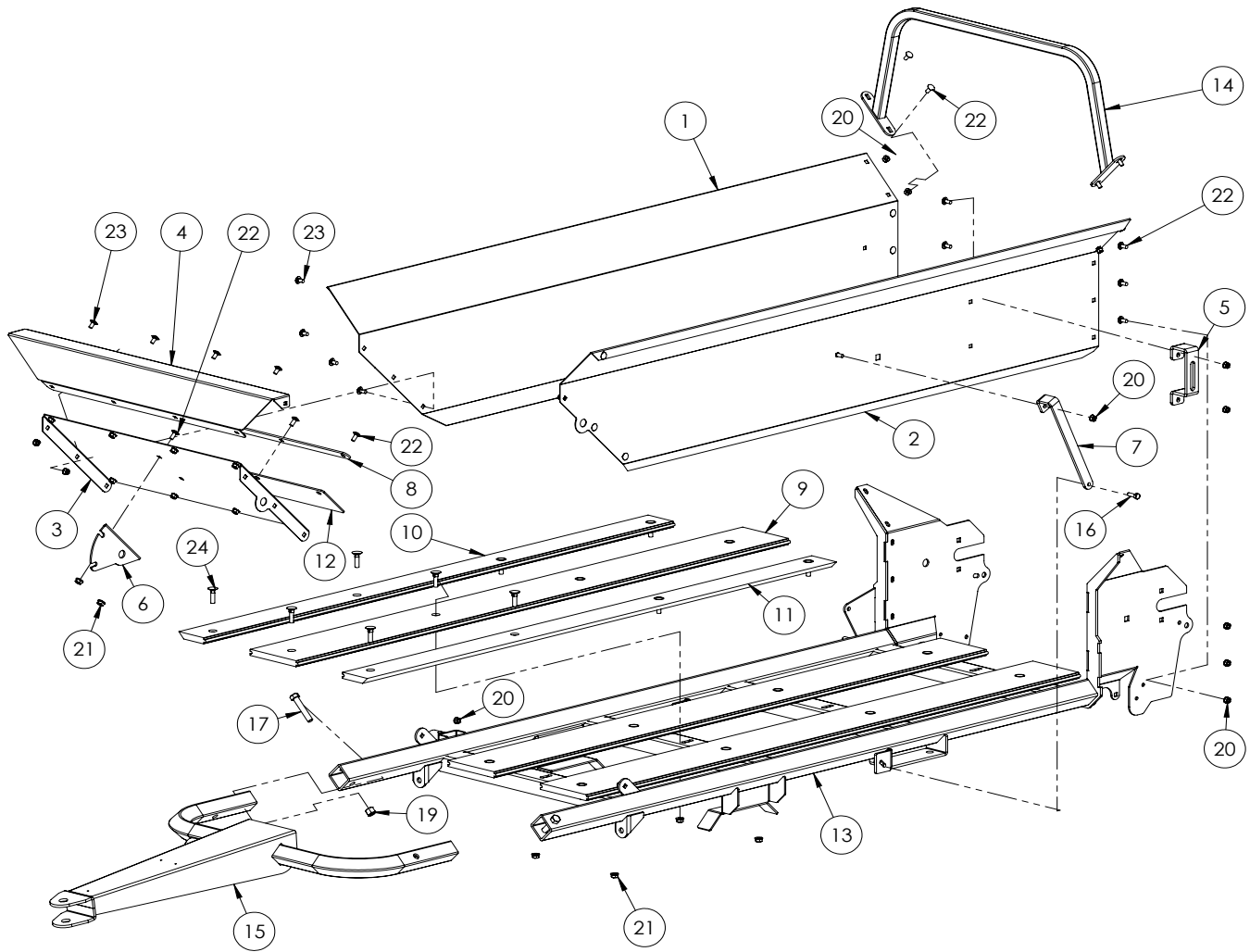
Table of Contents

Main Parts	4
Box Frame	5
Apron Chain & Front Sprocket	7
Apron Chain Ratchet	8
Ground Drive Engagement	9
Ground Drive Parts	10
Axle	11
Decals	12



MX25 MAIN ASSEMBLY PARTS BREAKDOWN

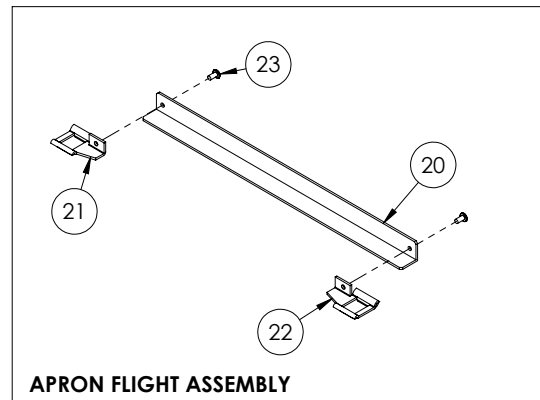
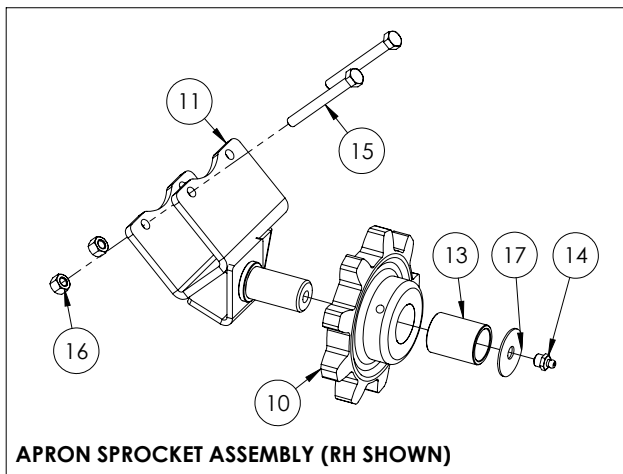
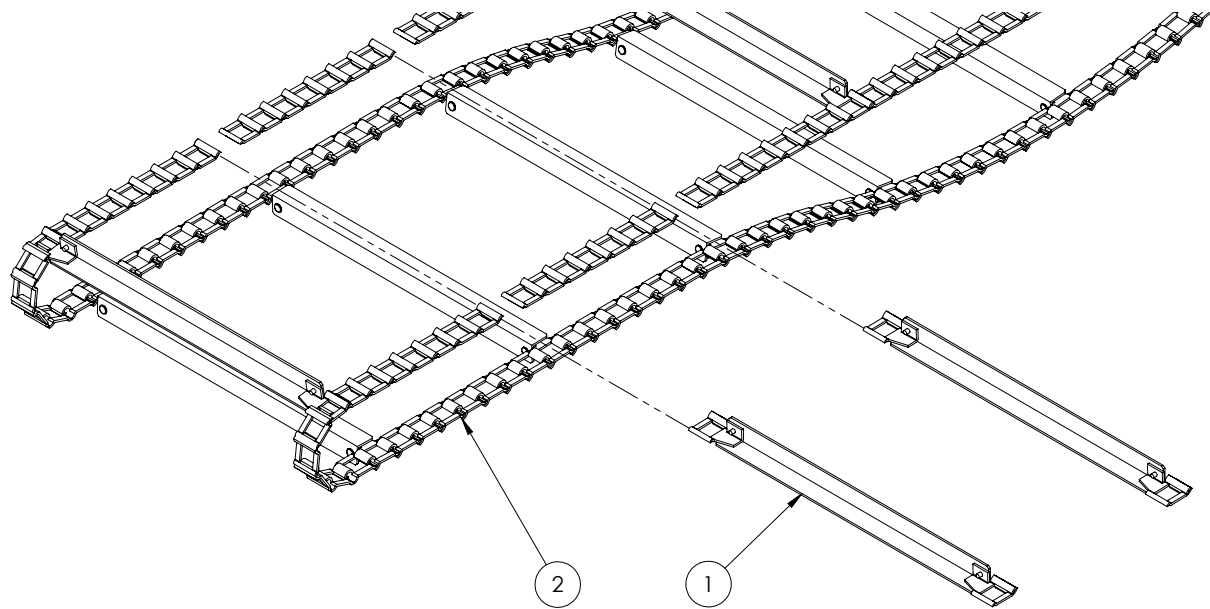
ITEM	PART NO.	Description	QTY.
1	7011A100	Assembly, Main Box	1
2	7011A102	Assembly, Ground Drive Axle	1
3	7011A104	Assembly, Apron Chain	1
4	7011M300	Shaft, Rear Apron Drive	1
5	7011W101	Weldment, Beater Bar	1
6	7015A505	Assy, Front Apron Sprocket RH	1
7	7015A506	Assy, Front Apron Sprocket LH	1
8	7015L560	Plate, Beater Bar Capture	2
9	7015M501	Sprocket, Apron Chain Rear	2
10	Z25102	FD 2-Bolt Flange Bearing 1"	4
11	Z42803	Sprocket, #50 11Tooth 1" Bore	2
12	Z46535	Key, 1/4 x 1/4 x 1-3/4	1
13	Z46542	Key 5/16 x 5/16 x 1	4
14	Z71617	Hex Bolt 5/8NC x 1-3/4	4
15	Z72231	Hex Lock Nut 3/8NC	8
16	Z72251	Hex Lock Nut 1/2NC	4
17	Z72261	Hex Lock Nut 5/8NC	4
18	Z76237	Carriage Bolt 3/8NC x 1-1/4 Extra Short Neck	8
19	Z76253	Carriage Bolt 1/2NC x 5	2
20	Z76712	Self-tapping Screw #10	3
21	Z91513	Top-Wind 10" Swivel Jack	1
22	Z96503	Manual Tube 3-1/2 Short	1



MX25 BOX FRAME PARTS BREAKDOWN

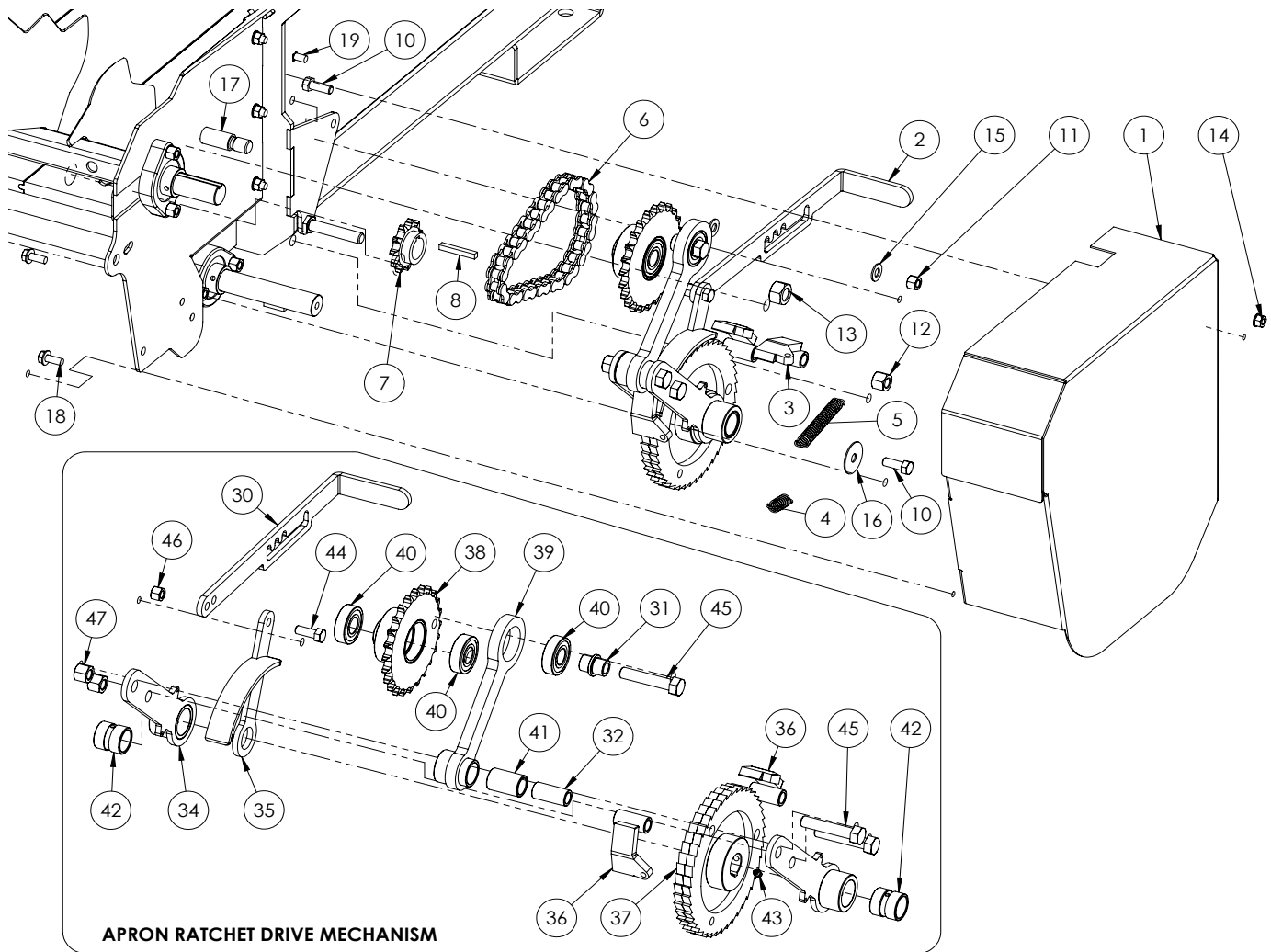
ITEM	PART NO.	Description	QTY.
1	7011L101	Side, RH Box	1
2	7011L102	Side, LH Box	1
3	7011L105	Front, Box	1
4	7011L106	Rim, Front	1
5	7011L117	Mount, Tensioner Bearing	1
6	7011L141	Base, Ground Drive Engage	1
7	7011L149	Guide, Chain Lifter	1
8	7011L161	Clamp, Floor Seal	1
9	7011S105	Floorboard, Full	3
10	7011S106	Floorboard, RH	1
11	7011S107	Floorboard, LH	1
12	7011S113	Floor Seal	1
13	7011W102	Weldment, Main Frame	1
14	7011W106	Stiffener, Frame	1
15	7011W107	Frame, Hitch	1
16	Z71210	Hex Bolt 5/16NC x 1	1
17	Z71527	Hex Bolt, 1/2NC x 2-3/4	2
18	Z72221	Hex Lock Nut 5/16NC	1
19	Z72251	Hex Lock Nut 1/2NC	2
20	Z72521	Flange Nut 5/16NC	29
21	Z72531	Flange Nut 3/8NC	22
22	Z76221	Carriage Bolt 5/16NC x 3/4	21
23	Z76226	Carriage Bolt 5/16NC x 5/8 Extra Short Neck	10
24	Z76631	Plow Bolt 3/8NC x 1-1/2	20

This Page is Intentionally Blank



MX25 APRON CHAIN & FRONT SPROCKET PARTS BREAKDOWN

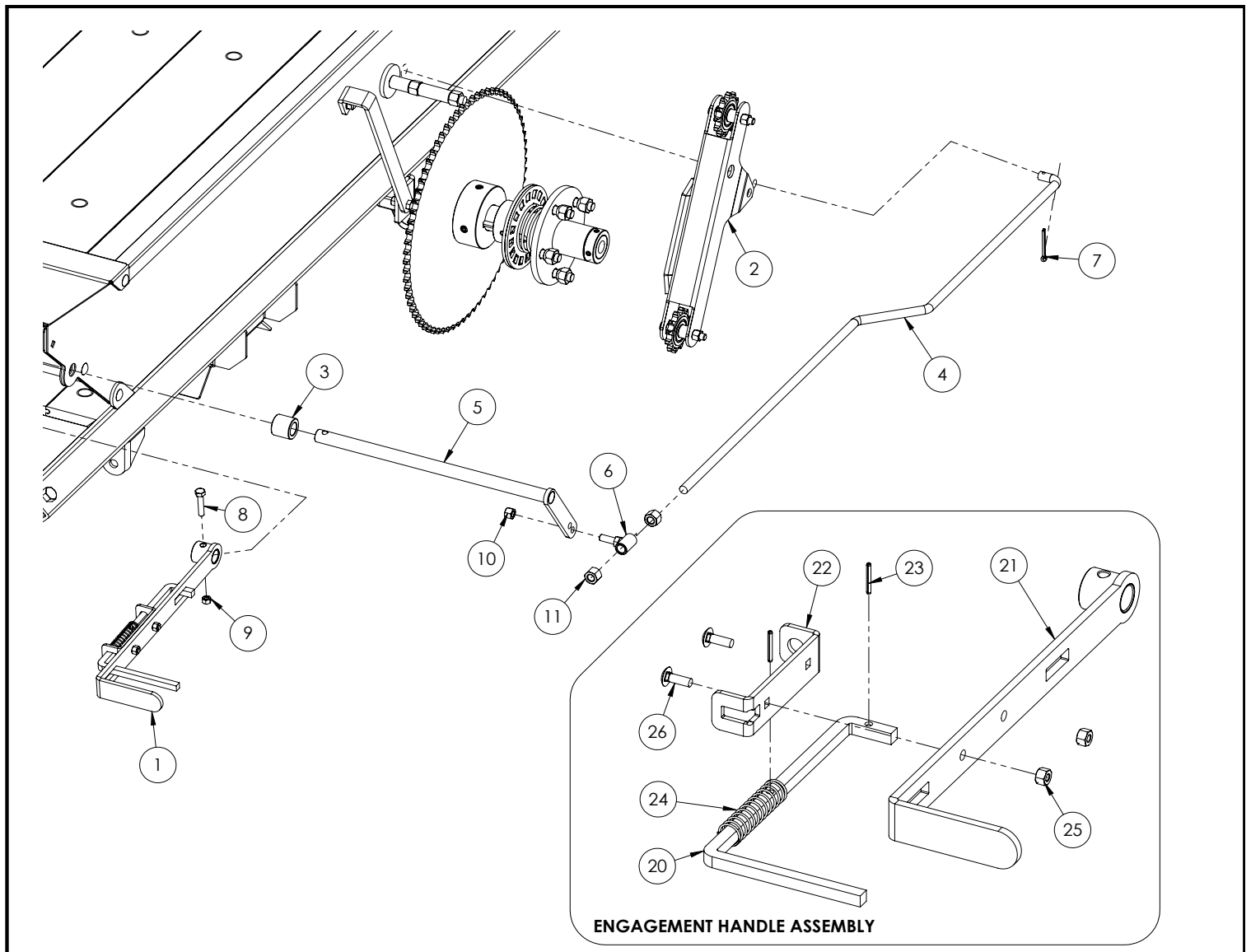
ITEM	PART NO.	Description	QTY.
1	7011A105	Apron Flight Assembly	12
2	Z42307	Apron Chain #62 x 93 links	2
ITEM	PART NO.	Description	QTY.
10	7015M519	Sprocket, Apron Chain Front	1
11	7015W507	Bracket, Front Sprocket RH	1
	7015W508	Bracket, Front Sprocket LH	
13	Z26301	Bushing, 1 ID x 1-1/4 OD x 1-5/8	1
14	Z29201	Grease Fitting, 1/8NPT	1
15	Z71230	Hex Bolt 5/16NC x 3	2
16	Z72221	Hex Lock Nut 5/16NC	2
17	Z73232	Wide Washer 3/8 Thin	1
ITEM	PART NO.	Description	QTY.
20	7011S115	Apron Flight	1
21	Z42302	Apron Chain #62 End RH	1
22	Z42303	Apron Chain #62 End LH	1
23	Z79301	Rivet 1/4 x 1/2 Flat Head	2



MX25 APRON CHAIN RATCHET PARTS BREAKDOWN

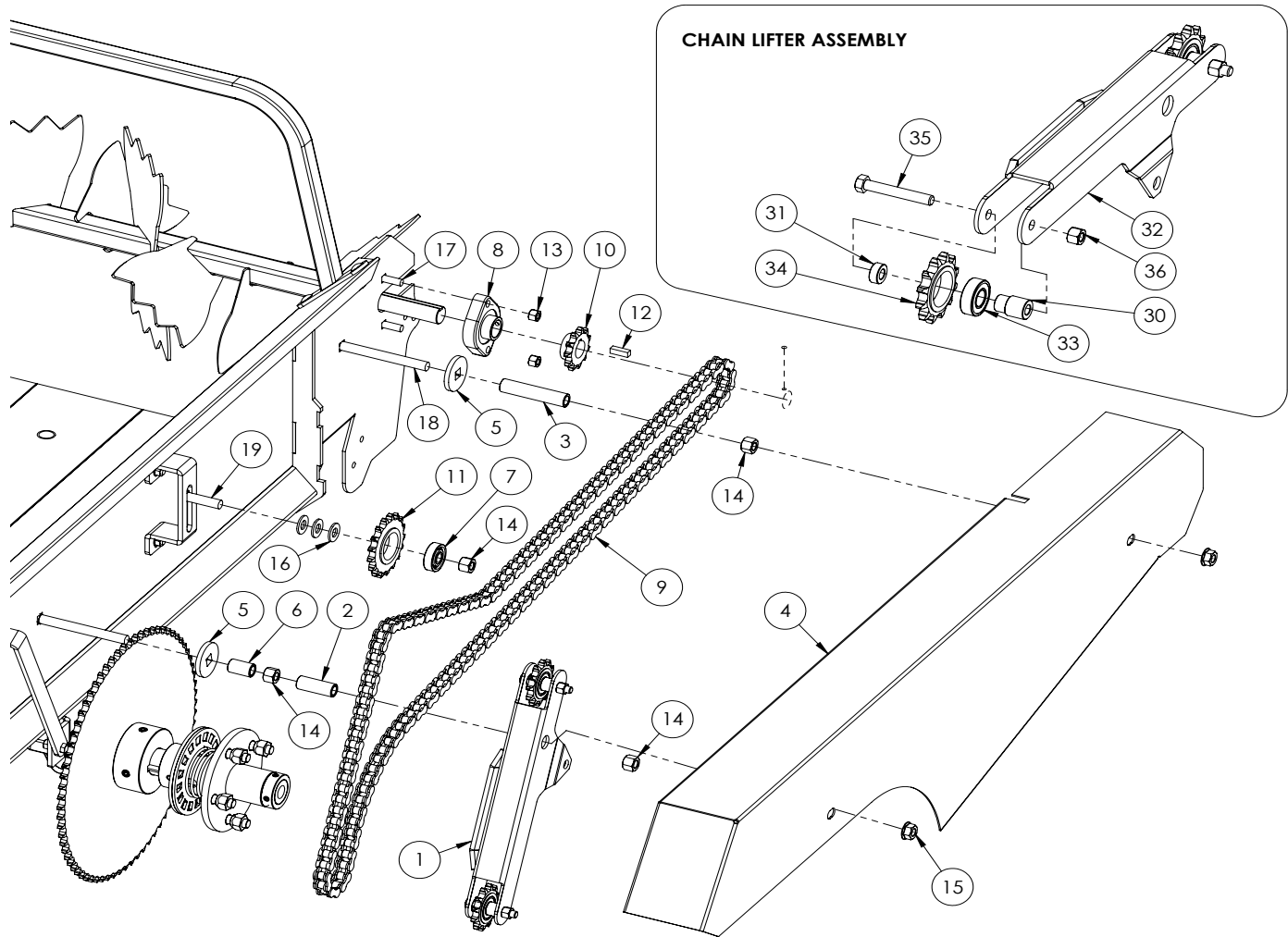
ITEM	PART NO.	Description	QTY.
1	7011W110	Ratchet Shield	1
2	7015A507	Apron Ratchet Drive Mechanism	1
3	7015W512	Dog, Ratchet	1
4	Z31303	Spring 1/2 x 1-1/2 x .063	1
5	Z31304	Spring 1/2 x 2-1/2 x .063	1
6	Z42143	#50 Roller Chain 32P (16 Links)	1
7	Z42803	Sprocket, #50 11Tooth 1" Bore	1
8	Z46535	Key, 1/4 x 1/4 x 1-3/4	1
9	Z46542	Key 5/16 x 5/16 x 1	3
10	Z71310	Hex Bolt 3/8NC x 1	2
11	Z72231	Hex Lock Nut 3/8NC	1
12	Z72251	Hex Lock Nut 1/2NC	1
13	Z72461	Low Profile Lock Nut 5/8NC	1
14	Z72521	Flange Nut 5/16NC	1
15	Z73130	Flat Washer 3/8	2
16	Z73232	Wide Washer 3/8 Thin	1
17	Z75571	Shoulder Bolt 3/4 x 1-1/2	1
18	Z76121	Flange Bolt 5/16NC x 3/4	2
19	Z76222	Carriage Bolt 5/16NC x 5/8	1
20	Z91513	Top-Wind 10" Swivel Jack	1

ITEM	PART NO.	Description	QTY.
30	7015L524	Handle, Ratchet Speed Set	1
31	7015M512	Flange Bushing	1
32	7015M514	Bushing, Link Arm Bolt	1
33	7015M517	Bolt Spacer	1
34	7015W510	Arm, Apron Ratchet Drive	2
35	7015W511	Slide, Speed Adjuster	1
36	7015W512	Dog, Ratchet	2
37	7015W513	Ratchet, Apron Drive	1
38	7015W514	#50 24Tooth Sprocket Hub	1
39	7015W515	Arm, Ratchet Drive Link	1
40	Z21204	Ball Bearing 1635 RS	3
41	Z26201	Bushing, 3/4 ID x 1-1/2	1
42	Z26303	Bushing, 1 ID x 1-1/4 Long Grooved	2
43	Z29202	Grease Zerk 1/4NF	2
44	Z71310	Hex Bolt 3/8NC x 1	1
45	Z71525	Hex Bolt 1/2NC x 2-1/2	3
46	Z72231	Hex Lock Nut 3/8NC	1
47	Z72251	Hex Lock Nut 1/2NC	3



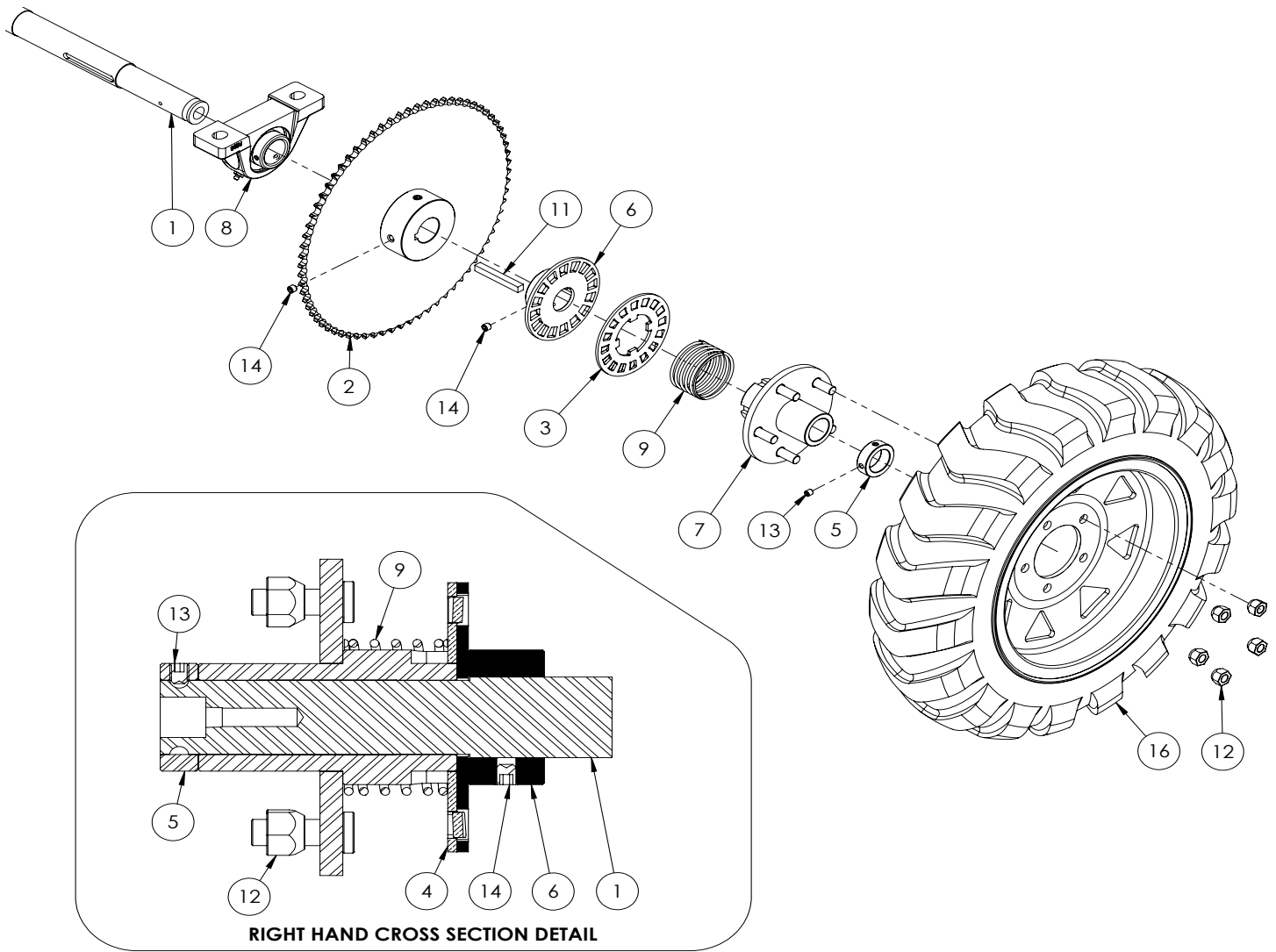
MX25 GROUND DRIVE ENGAGEMENT PARTS BREAKDOWN

ITEM	PART NO.	Description	QTY.
1	7011A101	Assy, Engagement Handle	1
2	7011A103	Assembly, Chain Lifter	1
3	7011M159	Engaging Shaft Spacer	1
4	7011S114	Rod, Connecting	1
5	7011W105	Rod, Drive Engagement	1
6	7014W458	Joint, Engagement Linkage	1
7	Z12321	Cotter Pin 3/16 X 2-1/2	1
8	Z71215	Hex Bolt, 5/16NC x 1-1/2	1
9	Z72111	Hex Lock Nut 1/4NC	1
10	Z72231	Hex Lock Nut 3/8NC	1
11	Z72251	Hex Lock Nut 1/2NC	2
ITEM	PART NO.	Description	QTY.
20	7011S103	Latch Rod	1
21	7011W104	Engaging Lever	1
22	7014L465	Engaging Arm Guide	1
23	Z14131	Roll Pin 1/8 x 1	2
24	Z32301	Spring 19mm x 79mm Med	1
25	Z72111	Hex Lock Nut 1/4NC	2
26	Z76211	Carriage Bolt 1/4NC x 3/4	2



MX25 GROUND DRIVE PARTS BREAKDOWN

ITEM	PART NO.	Description	QTY.
1	7011A103	Assembly, Chain Lifter	1
2	7011M105	Spacer, 2"	1
3	7011M165	Spacer, Rear Shield	1
4	7011W112	Guard, Ground Drive	1
5	7014L458	Washer, Square Head	2
6	7014M460	Spacer, 1-1/4	1
7	Z21206	Ball Bearing, 6203 RS	1
8	Z25102	FD 2-Bolt Flange Bearing 1"	1
9	Z42142	#50 Roller Chain 160P (80 Links)	1
10	Z42803	Sprocket, #50 11Tooth 1" Bore	1
11	Z42810	Sprocket, #50 17 Tooth	1
12	Z46542	Key 5/16 x 5/16 x 1	4
13	Z72231	Hex Lock Nut 3/8NC	2
14	Z72251	Hex Lock Nut 1/2NC	4
15	Z72551	Flange Nut 1/2NC	2
16	Z73151	Flat Washer, 1/2	3
17	Z76232	Carriage Bolt 3/8NC x 1-1/4	2
18	Z76253	Carriage Bolt 1/2NC x 5	2
19	Z76255	Carriage Bolt, 1/2NC x 2	1
20	Z91513	Top-Wind 10" Swivel Jack	1
ITEM	PART NO.	Description	QTY.
30	7011M122	Hub, Sprocket Bearing	2
31	7011M160	Spacer	2
32	7011W111	Lifter, Chain	1
33	Z21207	Ball Bearing 99502HS	2
34	Z42809	Sprocket, #50 12 Tooth	2
35	Z71325	Hex Bolt 3/8NC x 2-1/2	2
36	Z72231	Hex Lock Nut 3/8NC	2



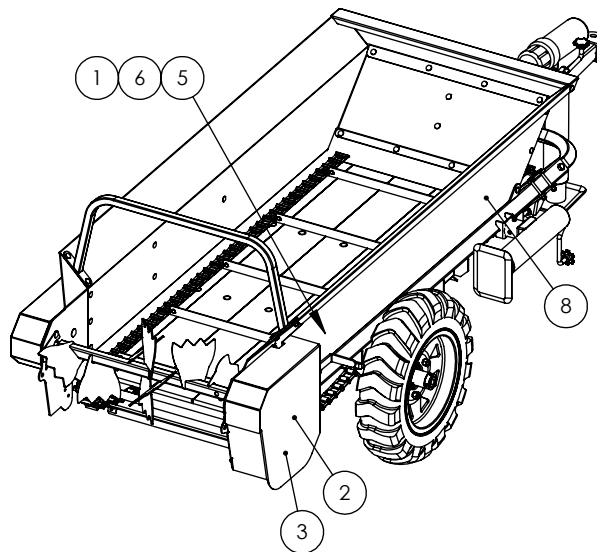
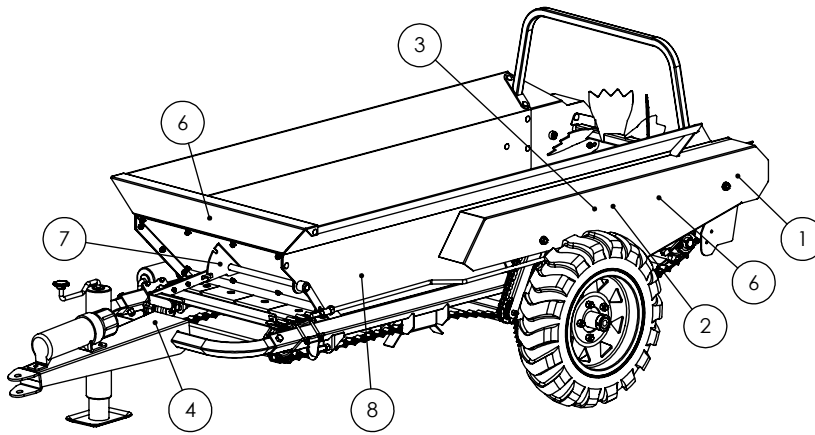
MX25 AXLE PARTS BREAKDOWN

ITEM	PART NO.	Description	QTY.
1	7011M117	Shaft, Main Ground Drive	1
2	7011W103	Main Drive Sprocket	1
3	7014L452	Driver, GD Ratchet LH	1
4	7014L468	Driver, GD Ratchet RH	1
5	7014M456	Collar, Wheel Stop	2
6	7014W454	Reciever, GD Ratchet	2
7	7014W460	Hub, 5-Bolt Ground Drive	2
8	Z24101	P208 Pillow Block 1-1/2	2
9	Z32402	Spring 3" x 4-1/2 x .145 wire	2
10	Z465501	Key, 3/8 x 3/8 x 1-1/4	1
11	Z465502	Key, 3/8 x 3/8 x 3	1
12	Z72931	Lug Nut 1/2NF	10
13	Z74121	Set Screw 5/16NC	4
14	Z74130	Set Screw 3/8NC	6
15	Z91324*	5.7-12 4-Ply Trac Chief RH	1
16	Z91325*	5.7-12 4-Ply Trac Chief LH	1

MX25 DECAL BREAKDOWN

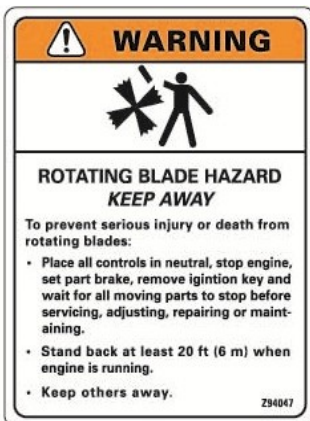
ITEM	PART NO.	DESCRIPTION	QTY
1	Z94047	Rotating Blade	2
2	Z94012	Rotating Part	2
3	Z94049	Shield Hazard	2
4	Z94046	Read Manual	1
5	Z94044	Apron Speed	1
6	Z94019	Made in Canada	3
7	Z94162	Off/ On	1
8	Z94068	MX25	2

NOTE: Item 3 is placed under the shield



MX25 Decals

Z94047



Z94049



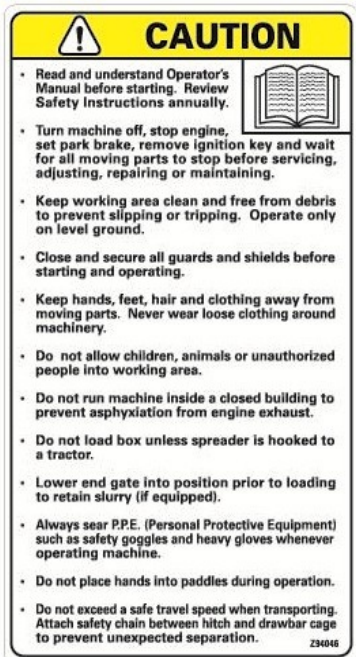
Z94068



Z94012



Z94046



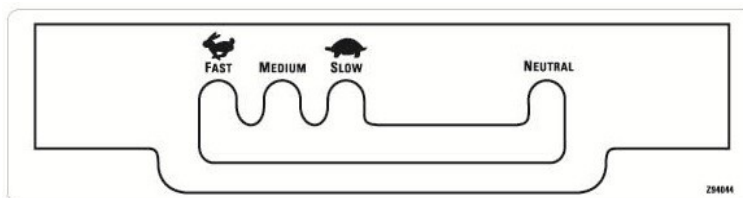
Z94162



Z94019



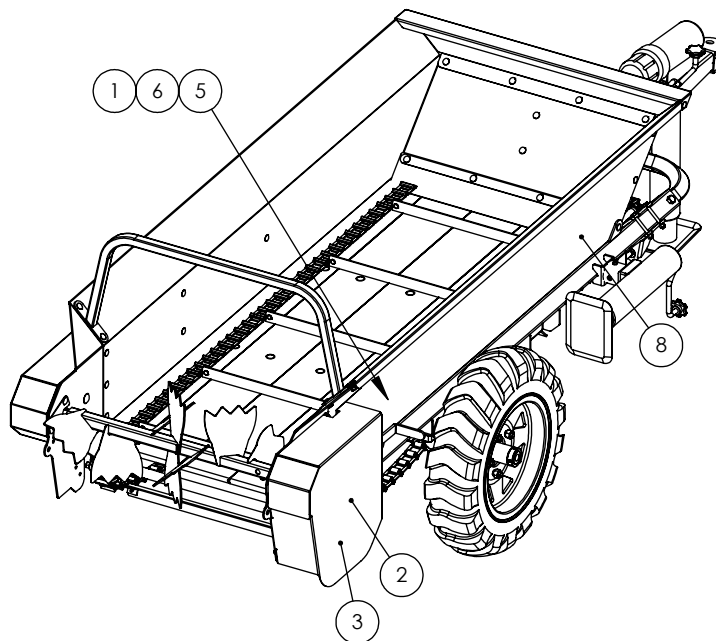
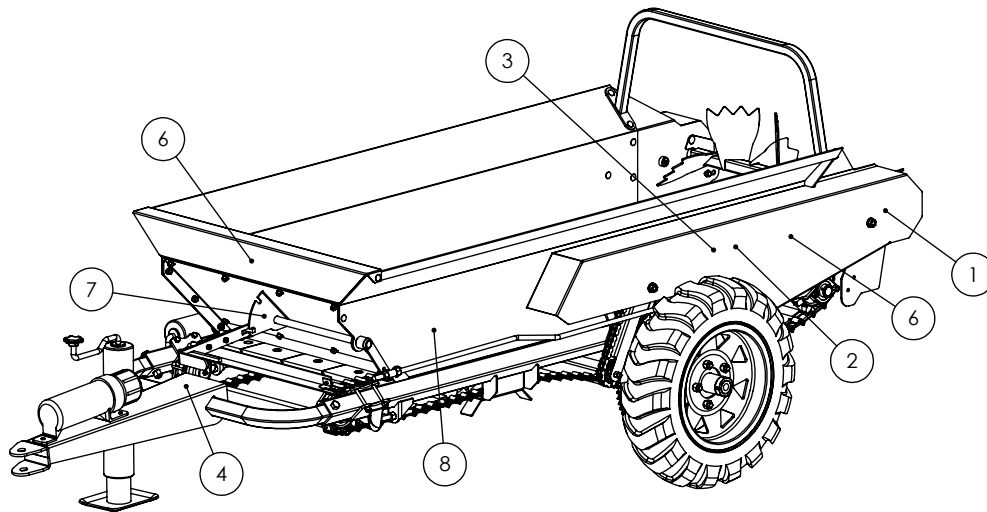
Z94044



MX25 DECAL BREAKDOWN

ITEM	PART NO.	DESCRIPTION	QTY
1	Z94168	Rotating Blade	2
2	Z94169	Rotating Part	2
3	Z94116	Shield Hazard	2
4	Z94119	Read Manual	1
5	Z94044	Apron Speed	1
6	Z94019	Made in Canada	3
7	Z94162	Off/ On	1
8	Z94068	MX25	2

NOTE: Item 3 is placed under the shield



Two-Panel MX25 Decals

Z94116



Z94019



Z94168



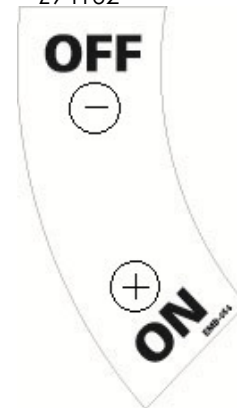
Z94169



Z94119



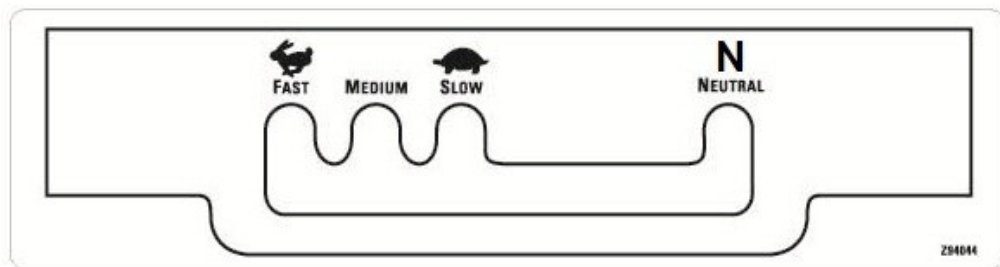
Z94162



Z94068

Wallenstein MX25

Z94044





WALLENSTEIN Products Manufactured by:

EMB MFG Inc.

4144 Boomer Line
St. Clements, Ontario
Canada N0B 2M0
Phone: 1-877-695-9283
Fax: 519-699-4146
www.embmfg.com