

WALLENSTEIN

BXM42 Chipper Parts Manual Prior to S/N 1M4289



Foreword

EMB Mfg. has prepared this parts manual to assist customers in ordering quality OEM replacement parts.

Proper and regular service and replacing old, worn or broken parts with the correct Wallenstein parts are essential to prolonging the life of your Wallenstein product. Please refer to this manual before ordering any replacement parts.

All information contained in this parts manual is based on the latest product specification available at the time of printing this manual. If your product differs from the specifications contained within this manual contact EMB Mfg. for information.

EMB reserves the right to alter specifications on their products at any time.

Reproduction of this parts manual of any kind is prohibited without prior written permission from EMB Mfg.

Note: Products with factory installed light kits will have a VIN number included. The last six numbers of this VIN number are the splitters serial number

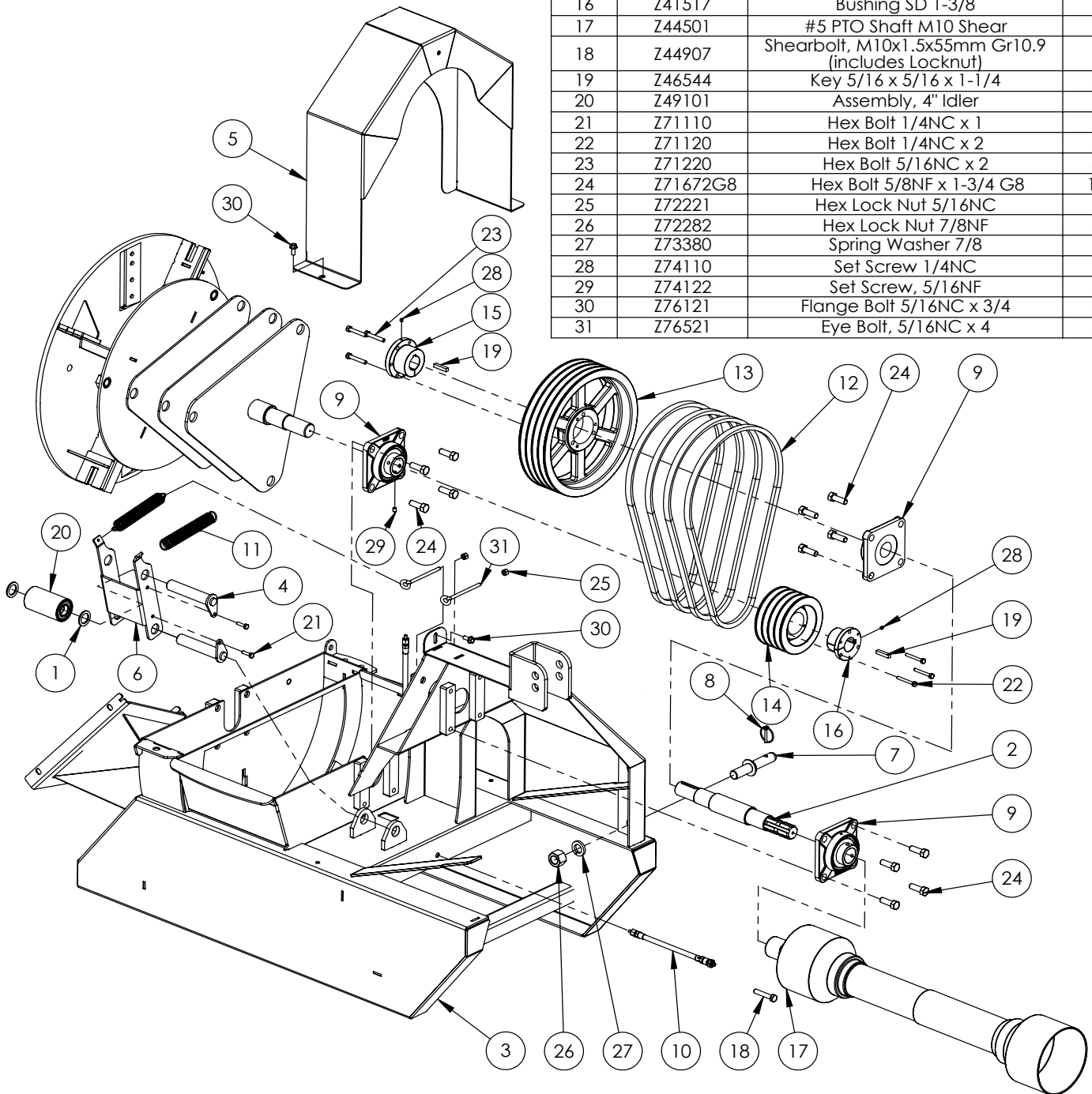
Example: 2E9US1112BSXXXXXX

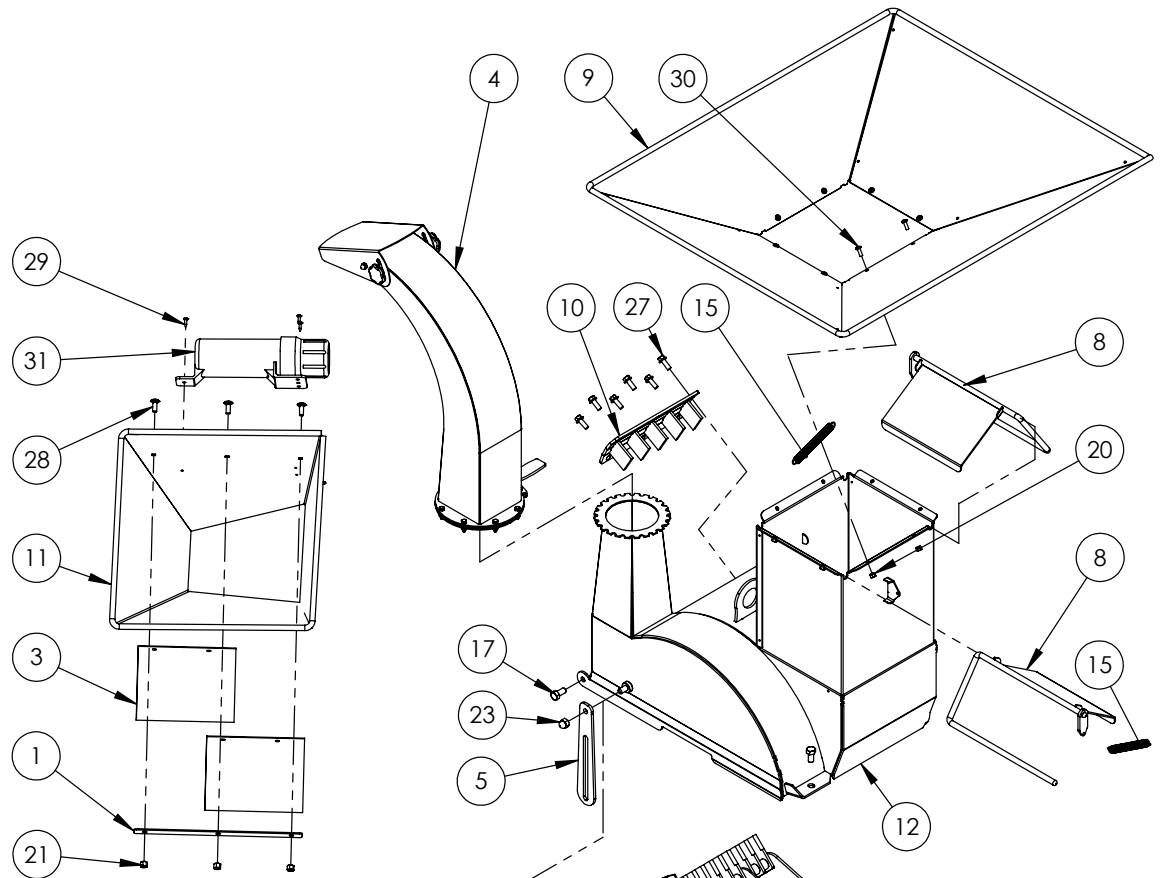
Table of Contents

Driveline	4
Main Parts	5
Rotor	6
Discharge Chute	7
Binacchi PTO Parts Breakdown	8
Decal Breakdown	10

BXM42 DRIVELINE PARTS BREAKDOWN

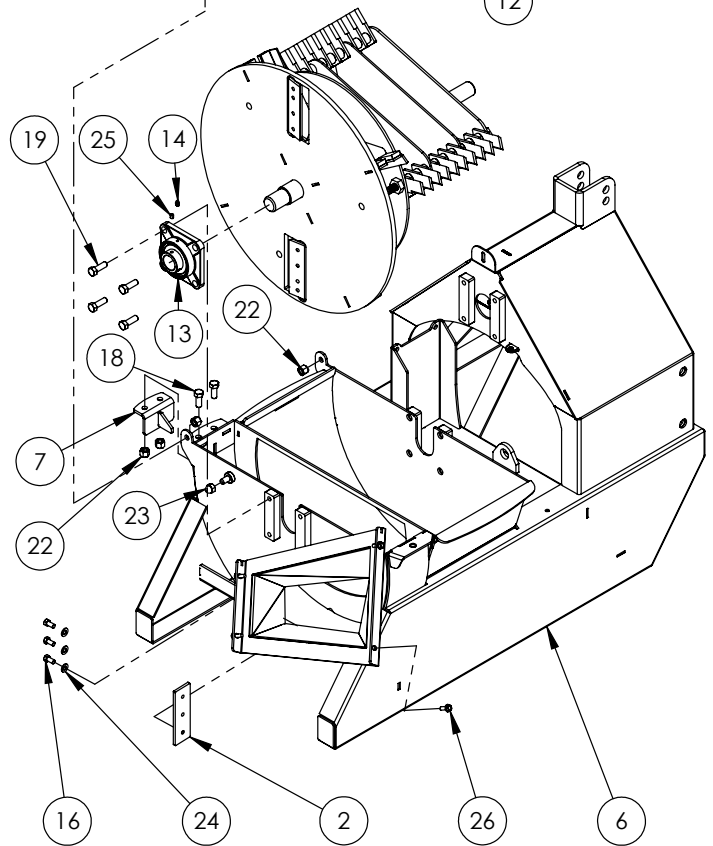
ITEM	PART NO.	Description	QTY.
1	1016L972	Washer, Idler	2
2	1016M621	Shaft, Splined	1
3	1016W601	Housing, Bottom Rotor	1
4	1016W612	Belt Tightner, Main Pivot Pin	2
5	1016W631	Belt Sheild	1
6	1016W633	Idler Arm, Main Belt Tightner	1
7	Z11431	Implement Pin 7/8x5-1/2	2
8	Z12110	Latch Pin 3/16	2
9	Z25204	4-Bolt Bearing 1-1/2" Bore	3
10	Z29309	Grease Whip 9" with Fittings	2
11	Z31404	Spring 25mm x 178mm x 0.135	2
12	Z41158	Belt, B50	4
13	Z41311	Four "B" Sheave, 12.75" Pitch	1
14	Z41312	Four "B" Sheave, 5.75" Pitch	1
15	Z41501	SK Bushing, 1-3/8 Bore	1
16	Z41517	Bushing SD 1-3/8	1
17	Z44501	#5 PTO Shaft M10 Shear	1
18	Z44907	Shearbolt, M10x1.5x55mm Gr10.9 (includes Locknut)	1
19	Z46544	Key 5/16 x 5/16 x 1-1/4	2
20	Z49101	Assembly, 4" Idler	1
21	Z71110	Hex Bolt 1/4NC x 1	2
22	Z71120	Hex Bolt 1/4NC x 2	3
23	Z71220	Hex Bolt 5/16NC x 2	3
24	Z71672G8	Hex Bolt 5/8NF x 1-3/4 G8	12
25	Z72221	Hex Lock Nut 5/16NC	2
26	Z72282	Hex Lock Nut 7/8NF	2
27	Z73380	Spring Washer 7/8	2
28	Z74110	Set Screw 1/4NC	2
29	Z74122	Set Screw, 5/16NF	2
30	Z76121	Flange Bolt 5/16NC x 3/4	3
31	Z76521	Eye Bolt, 5/16NC x 4	2





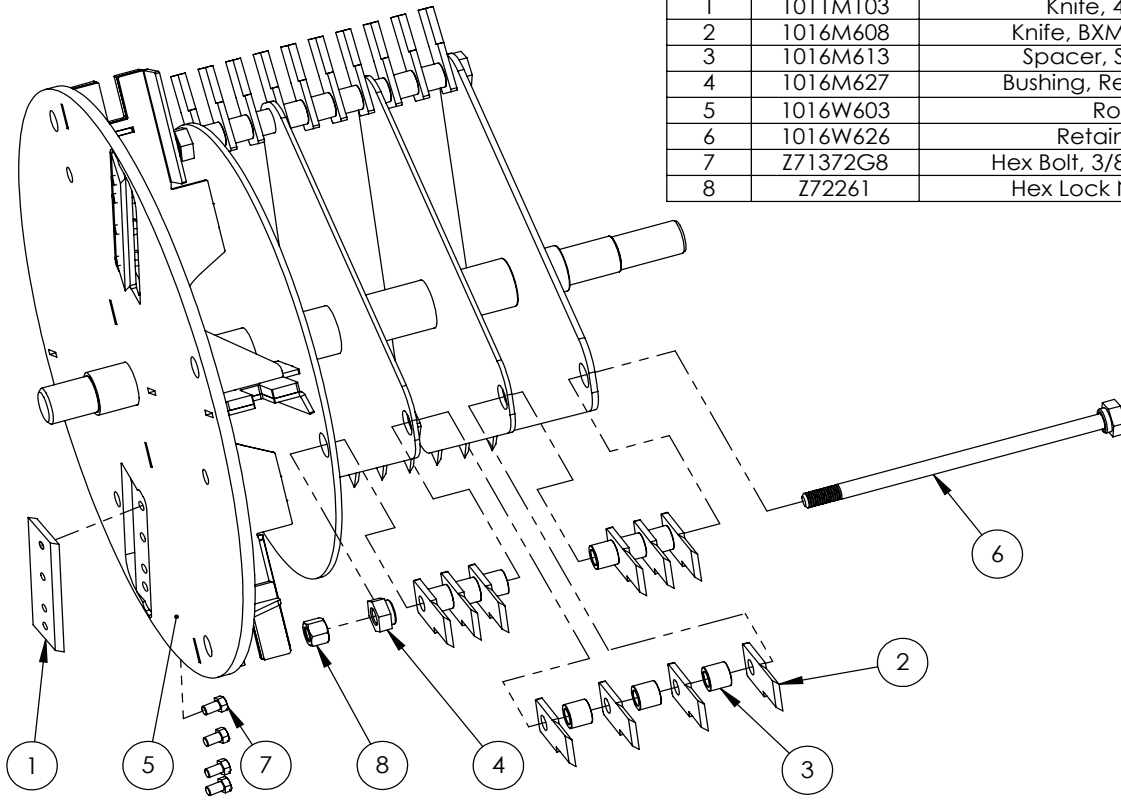
BXM42 MAIN PARTS BREAKDOWN

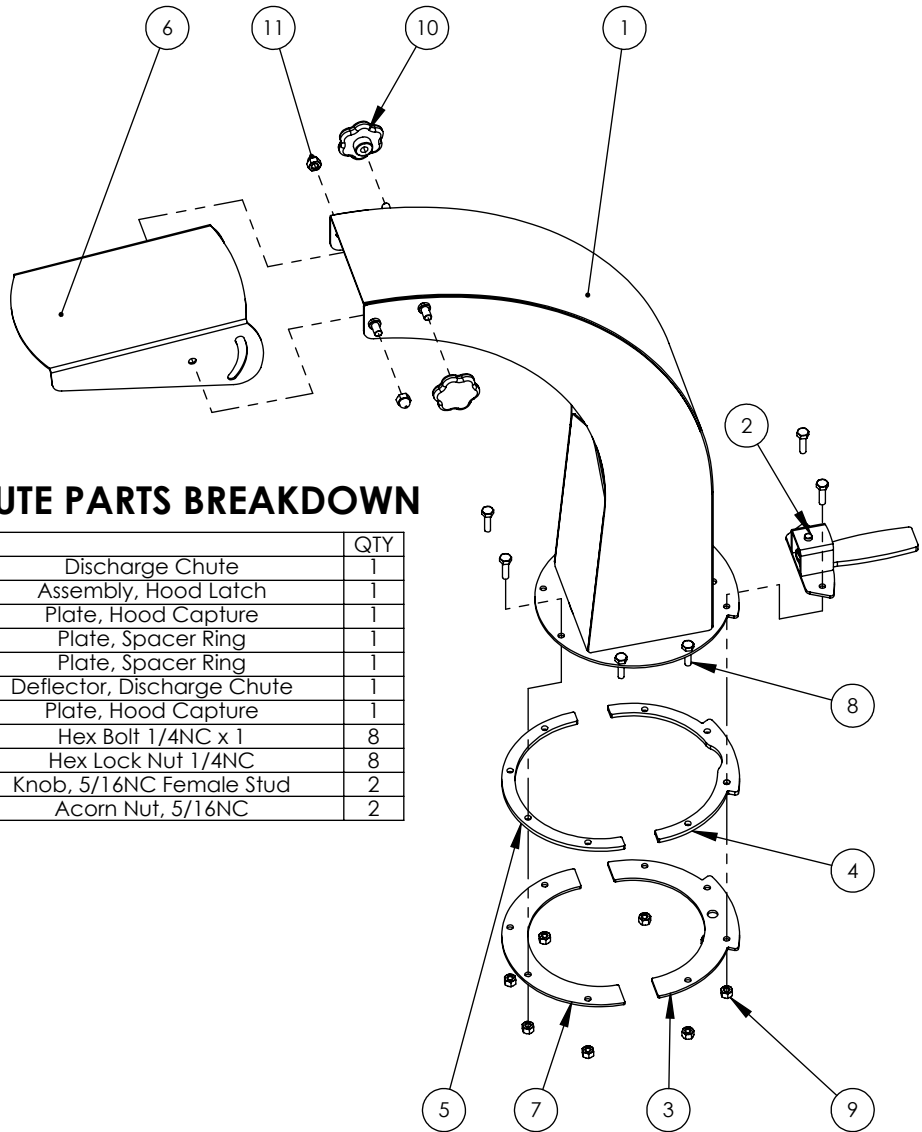
ITEM	PART NO.	Description	QTY.
1	1011L151	Strap, Hopper Flap	1
2	1011M104	Knife, 4" Ledger	1
3	1012S203	Flap, Hopper	2
4	1016A001	Assembly, Discharge Chute	1
5	1016L729	Positive Stop Plate	1
6	1016W601	Housing, Bottom Rotor	1
7	1011W104	Twig Breaker	1
8	1016W625	Flapper	2
9	1016W627	Hopper, Shredder	1
10	1016W629	Chop Block	1
11	1016W632	Chipper Feed Hopper	1
12	1016W602	Housing, Upper Rotor	1
13	Z25204	4-Bolt Bearing 1-1/2" Bore	1
14	Z29202	Grease Zerk 1/4NF	1
15	Z31301	Spring 17mm x 140mm Medium	2
16	Z71373G8	Hex Bolt 3/8NF x 3/4 Gr8	3
17	Z71510	Hex Bolt 1/2NC x 1	3
18	Z71512	Hex Bolt 1/2NC x 1-1/4	2
19	Z71672G8	Hex Bolt 5/8NC x 1-3/4 G8	4
20	Z72111	Hex Lock Nut 1/4NC	8
21	Z72221	Hex Lock Nut 5/16NC	3
22	Z72251	Hex Lock Nut 1/2NC	4
23	Z72915	Acorn Nut, 1/2NC	2
24	Z73131	Washer, 3/8	3
25	Z74122	Set Screw, 5/16NF	2
26	Z76121	Flange Bolt 5/16NC x 3/4	4
27	Z76134	Flange Bolt, 3/8NC x 1	6
28	Z76221	Carriage Bolt 5/16NC x 3/4	3
29	Z76712	Self-tapping Screw #10	3
30	Z78301	Machine Screw 1/4NC x 3/4	8
31	Z96503	Manual Tube 3-1/2 Short	1



BXM42 ROTOR PARTS BREAKDOWN

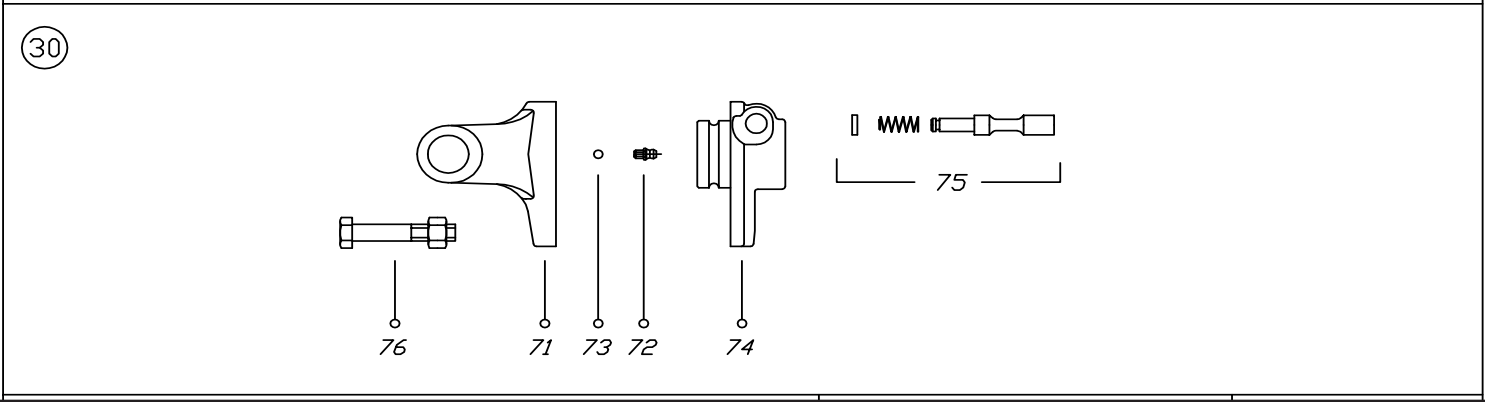
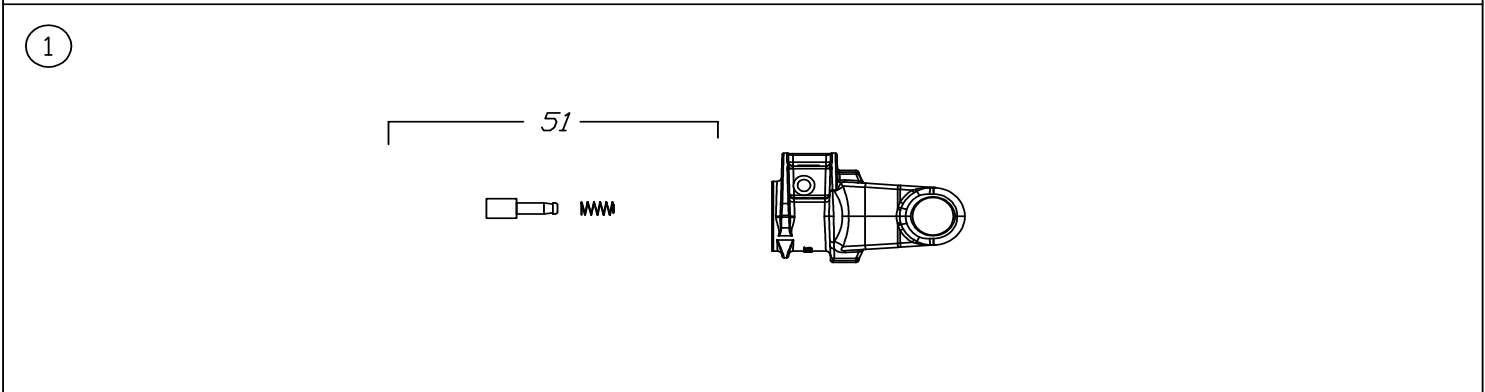
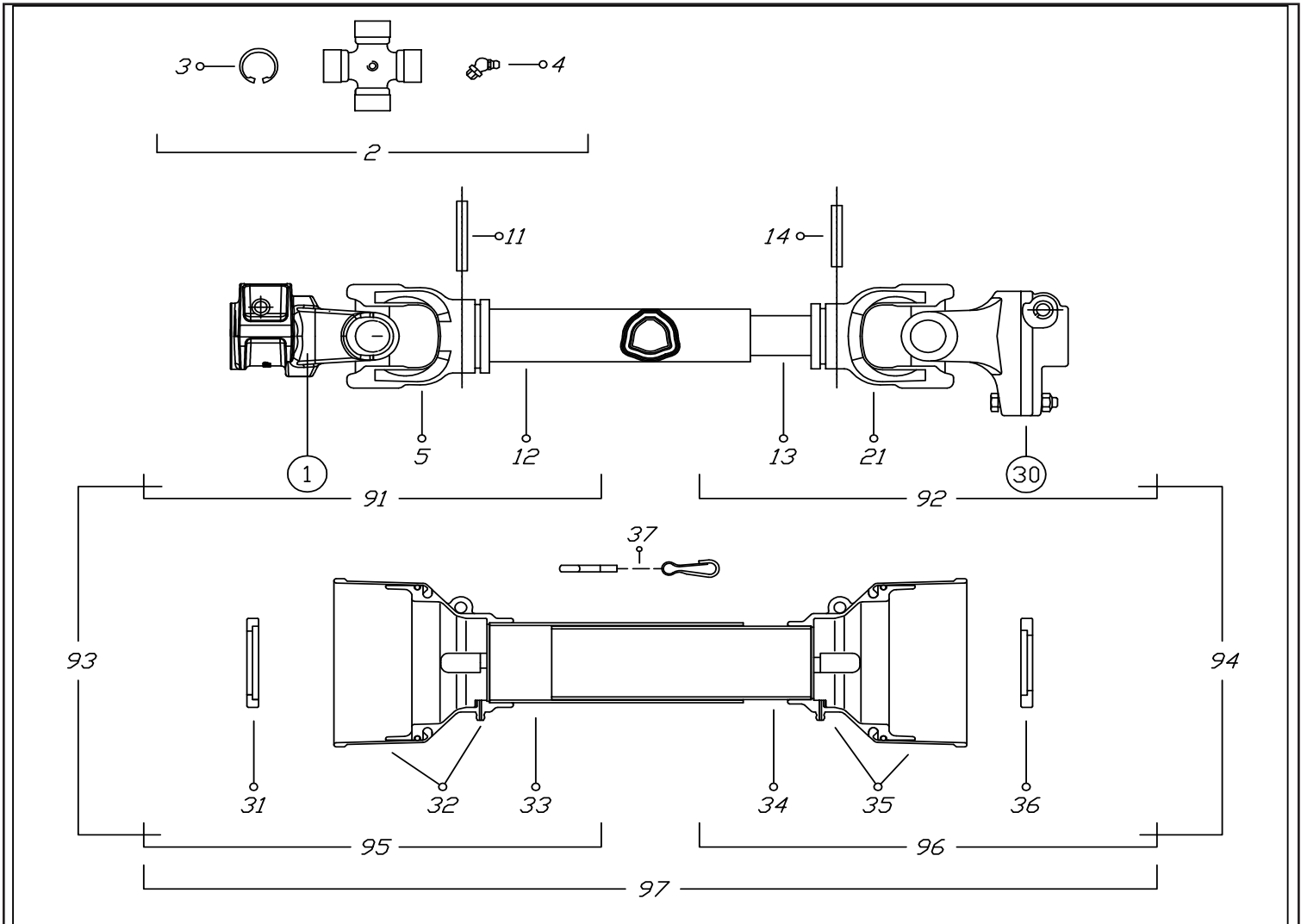
ITEM	PART NO.	Description	QTY.
1	1011M103	Knife, 4" Rotor	2
2	1016M608	Knife, BXM Shredder	30
3	1016M613	Spacer, Shredder	27
4	1016M627	Bushing, Retainer Rod	3
5	1016W603	Rotor	1
6	1016W626	Retainer Pin	3
7	Z71372G8	Hex Bolt, 3/8NF x 5/8 G8	8
8	Z72261	Hex Lock Nut 5/8NC	3





DISCHARGE CHUTE PARTS BREAKDOWN

ITEM	PART NO.		QTY
1	1016W007	Discharge Chute	1
2	1012W208	Assembly, Hood Latch	1
3	1016L030	Plate, Hood Capture	1
4	1016L029	Plate, Spacer Ring	1
5	1016L027	Plate, Spacer Ring	1
6	1016L033	Deflector, Discharge Chute	1
7	1016L034	Plate, Hood Capture	1
8	Z71110	Hex Bolt 1/4NC x 1	8
9	Z72111	Hex Lock Nut 1/4NC	8
10	Z19313	Knob, 5/16NC Female Stud	2
11	Z72914	Acorn Nut, 5/16NC	2



Binacchi PTO Parts List

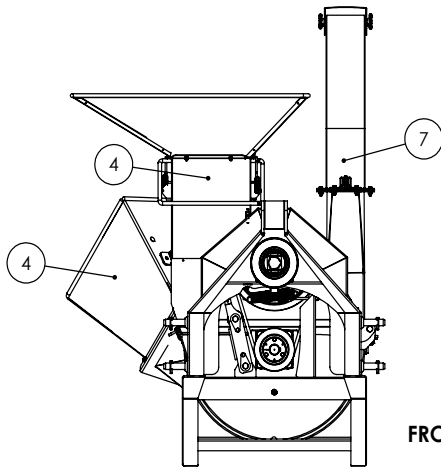
BINACCHI PTO SPARE PARTS LIST : B5090E098002			
POS.	DESCRIPTION	Q.	PART #
01	YOKE	1	0800503
02	CROSS JOURNAL ASSY	2	08205
03	CIRCLIP	8	09802030
04	GREASE NIPPLE	2	09840081002
05	OUTER TUBE YOKE	1	08005021
11	FLEXIBLE PIN	1	098700870
12	CM. 100 CARDAN TUBE(*)	1	09881523100
13	CM. 100 CARDAN TUBE(*)	1	09881454100
14	FLEXIBLE PIN	1	098700865
21	INNER TUBE YOKE	1	08005011
30	SHEAR BOLT YOKE	1	08805A604633
31	O.BEARING	1	0265150007
32	O.BASIC CONE	1	0256050324
33	OUTER SAFETY TUBE	1	0988981B5090
34	INNER SAFETY TUBE	1	0988975B5090
35	I.BASIC CONE	1	0256050325
36	I.BEARING	1	0265150008
37	CHAIN	1	0252000001
51	COMPLETE PUSH BUTTTON	1	0986014047
71	YOKE FOR LB5	1	08896905
72	GREASE NIPPLE	1	0984010150
73	STEEL BALL	23	098680104
74	HUB	1	088965A60
75	PUSH PIN SET	1	0986014075
76	SHEAR BOLT AND NUT M10 X 1.5 X 55 10.9	1	Z19407 (Package of 5)
91	OUTER HALF SHAFT	1	B509002
92	INNER HALF SHAFT	1	B509001098002
93	OUTER HALF SHAFT	1	B5090E2
94	INNER HALF SHAFT	1	B5090E1098002
95	OUTER HALF SAFETY GUARD	1	083E050902
96	INNER HALF SAFETY GUARD	1	083E050901
97	SAFETY GUARD	1	083E05090

00110

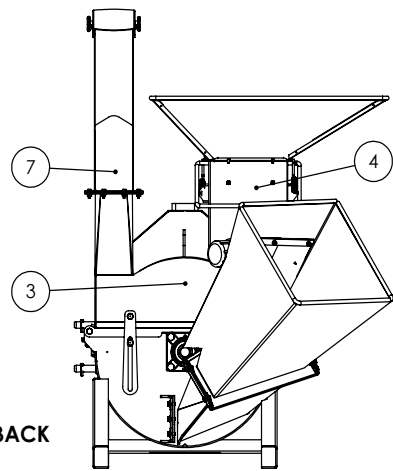
Note: Always check brand of PTO shaft when ordering PTO parts.

BXM42 DECAL BREAKDOWN

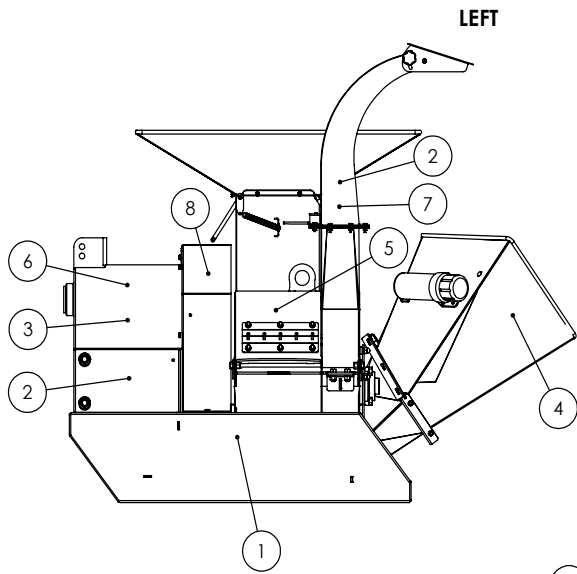
ITEM	PART NO.	DESCRIPTION	QTY
1	Z94056	WALLENSTEIN Decal	2
2	Z94019	1" Dia. Made In Canada	4
3	Z94061	BXM42 WALLENSTEIN	3
4	Z94007	DANGER - Rotating Blades	5
5	Z94006	CAUTION - Read Manual	1
6	Z94009	DANGER - Rotating Driveline Hazard	2
7	Z94008	DANGER - Thrown Object Hazard	4
8	Z94012	WARNING - Rotating Part Hazard	2
9	Z94013	DANGER - Missing Guard	1



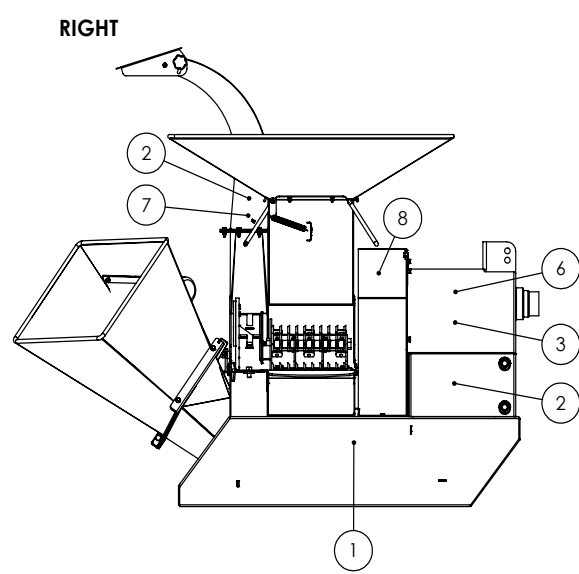
FRONT



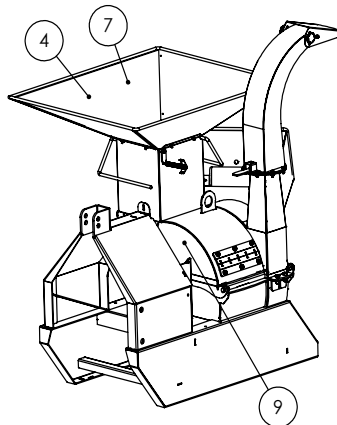
BACK



LEFT



RIGHT



Decals BXM42

Z94056



Z94061



Z94019



Z94006

⚠ CAUTION

- Read and understand operator's manual before starting. Review safety instructions annually.
- Turn machine off, stop and disable engine, remove ignition key and place in your pocket, set park brake and wait for all moving parts to stop before adjusting, servicing, maintaining, repairing or unplugging.
- Keep the working area clean and free of debris to prevent slipping or tripping. Operate only on level ground.
- Close and secure rotor cover before operating.
- Close and secure all guards, deflectors and shields before starting and operating.
- Keep hydraulic lines and fittings tight, in good condition and free of leaks.
- Keep hands, feet, hair and clothing away from moving parts. Never wear loose clothing around machinery.
- Keep driveline universal joint angles equal and small as possible.
- Do not point discharge at people, animals or buildings. Rotor can expel wood chips fast enough to cause injury.
- Do not allow children, animals or unauthorized people into working area.
- Do not run machine inside a closed building to prevent asphyxiation from engine exhaust.
- Use care when feeding material into chipper. Do not send metal, bottles, cans, rocks, glass or other foreign material into wood chipper. If foreign material enters chipper, stop the machine, turn engine off and place ignition key in your pocket and wait for all moving parts to stop before removing material and/or unplugging. Inspect machine for damaged or loose parts before returning to work.
- Always wear P.P.E. (Personal Protective Equipment) such as safety goggles and heavy gloves whenever operating machine.
- Do not place hands or any body parts into feed hopper during operation.
- Do not move or transport chipper when the rotor is turning.
- Do not exceed a safe travel speed when transporting. Cross safety chain under hitch on trailer model when attaching to a truck.

Z94006

Z94007

⚠ DANGER

ROTATING CUTTING BLADES

Keep hands and feet out of inlet and discharge openings while machine is operating to avoid serious personal injury. Stop engine, remove spark plug wire and allow machine to come to a complete stop before clearing obstructions or making adjustments.

ROTATING CUTTING BLADES

Z94007

Z94012

⚠ WARNING

**ROTATING PART HAZARD
KEEP AWAY**

To prevent serious injury or death from rotating parts:

- Turn machine off, stop and disable engine, remove ignition key and place in your pocket, set park brake and wait for all moving parts to stop before adjusting, servicing, maintaining, repairing or unplugging.
- Close and secure guard before operating.
- Keep hands, feet, hair and clothing away from moving parts.

Z94012

Z94009

⚠ DANGER

**ROTATING DRIVELINE HAZARD
KEEP AWAY**

To prevent serious injury or death from rotating driveline:

- Keep all guards in place when operating.
- Operate only at 540 RPM.
- Keep hands, feet, hair and clothing away from moving parts.
- Keep U-joint angles equal and small as possible.
- Do not exceed driveline manufacturers recommended operating length.

Z94009

Z94013

⚠ DANGER

MISSING GUARD HAZARD

- Close and secure all guards and shields before operating.
- Do not operate without guards and shields.

Z94013

Z94008

⚠ DANGER

THROWN OBJECT HAZARD

To prevent serious injury or death from thrown objects:

- Turn machine off, stop and disable engine, remove ignition key and place in your pocket, set park brake and wait for all moving parts to stop before adjusting, servicing, maintaining, repairing or unplugging.
- Do not direct discharge duct towards people, animals or property. Always wear appropriate safety gear. Keep hands and feet out of discharge openings.
- Keep others away.

Z94008



WALLENSTEIN Products Manufactured by:

EMB MFG Inc.

4144 Boomer Line
St. Clements, Ontario
Canada N0B 2M0
Phone: 1-877-695-9283
Fax: 519-699-4146
www.embmfg.com