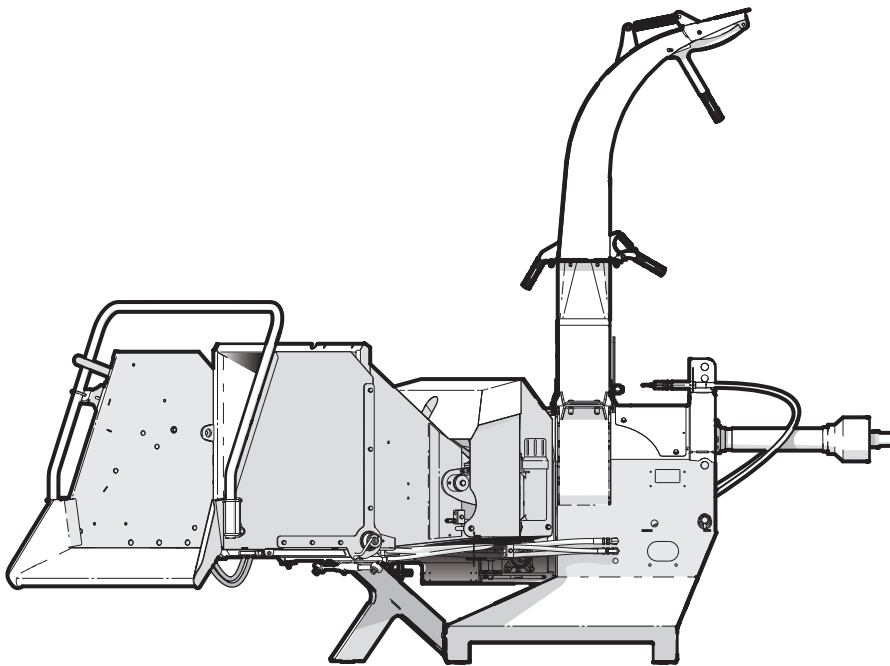


PARTS MANUAL

Serial Number 1102R215 to 1102R509

BX102R / RI / RP / RPI **3 PH ROLLER-FEED CHIPPER**



Foreword

This Wallenstein parts manual is prepared to assist customers in ordering quality OEM replacement parts.

Regular maintenance combined with replacing old, worn or broken parts with the correct OEM parts is essential in prolonging the life of your Wallenstein product. Refer to this manual to identify replacement parts.

To order parts, contact your Wallenstein dealer or distributor. Have the product model and serial number handy.

If your dealer is no longer available, please go to our website: <http://wallensteinequipment.com> and click on the [Dealer Locator](#) to find the nearest dealer.

All information contained in this parts manual is current as per the revision date at the bottom of the page. Wallenstein reserves the right to change product specifications at any time without notice.

If your product specifications differ from those contained in this manual, contact Wallenstein for current information.

Reproduction of information in this parts manual is prohibited without prior written permission from Wallenstein Equipment Inc.

Wallenstein Equipment Inc. • © 2021

WARNING!

Refer to the operators manual for safe operation and maintenance.

Maintenance should be performed by trained personnel only.

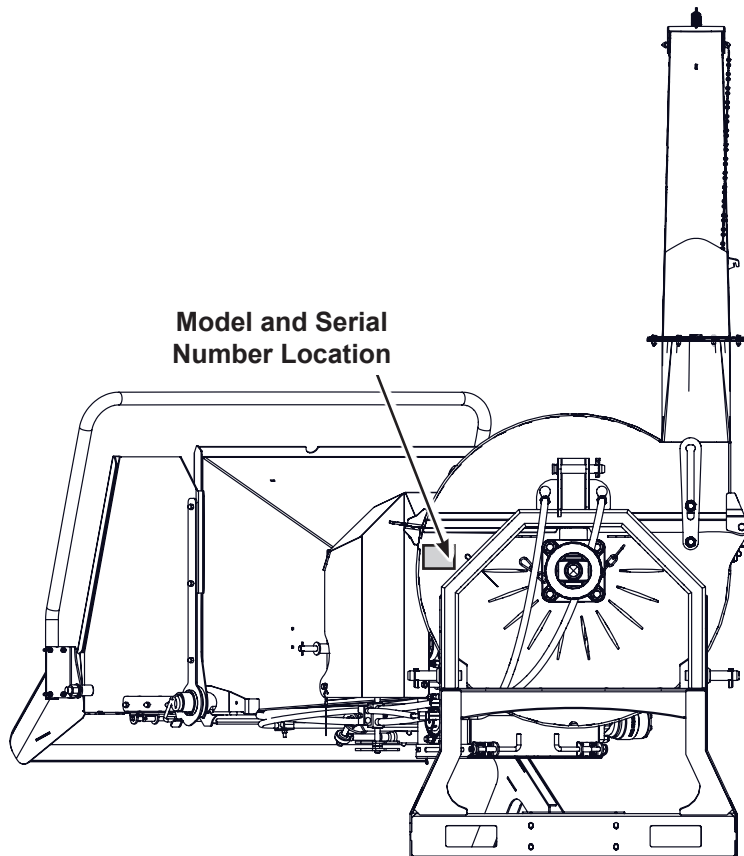
Serial Number Location

Always provide the model and serial number of your Wallenstein product when ordering parts or requesting service or other information. This information is found on the product information plate as shown below.

Record your product information here for future reference.

Model _____

Serial Number _____



Models covered in this manual:

BX102R

BX102RI – P3 option

BX102RP – Winch option

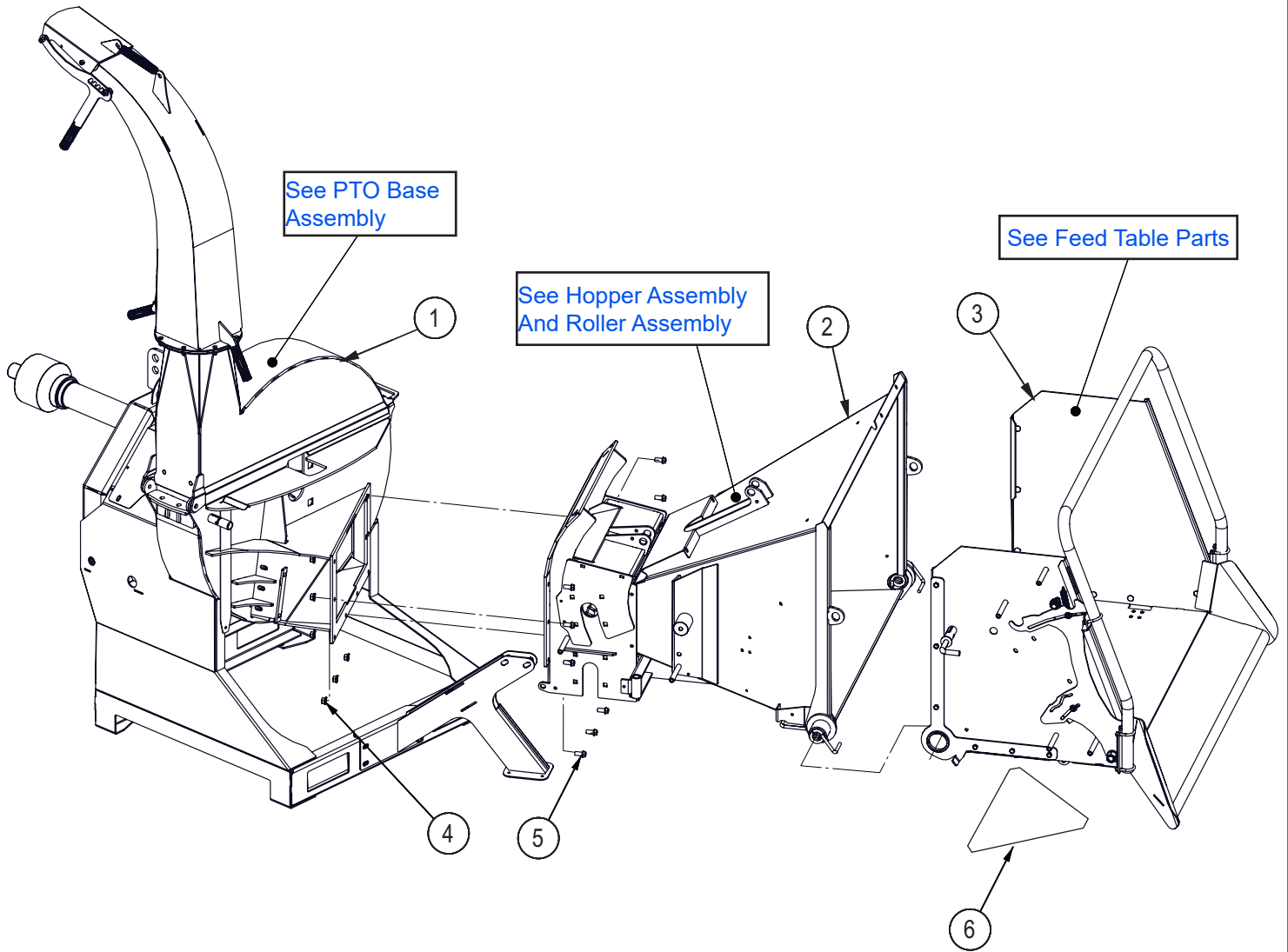
BX102RPI – Winch and P3 options

www.wallensteinequipment.com

Contents

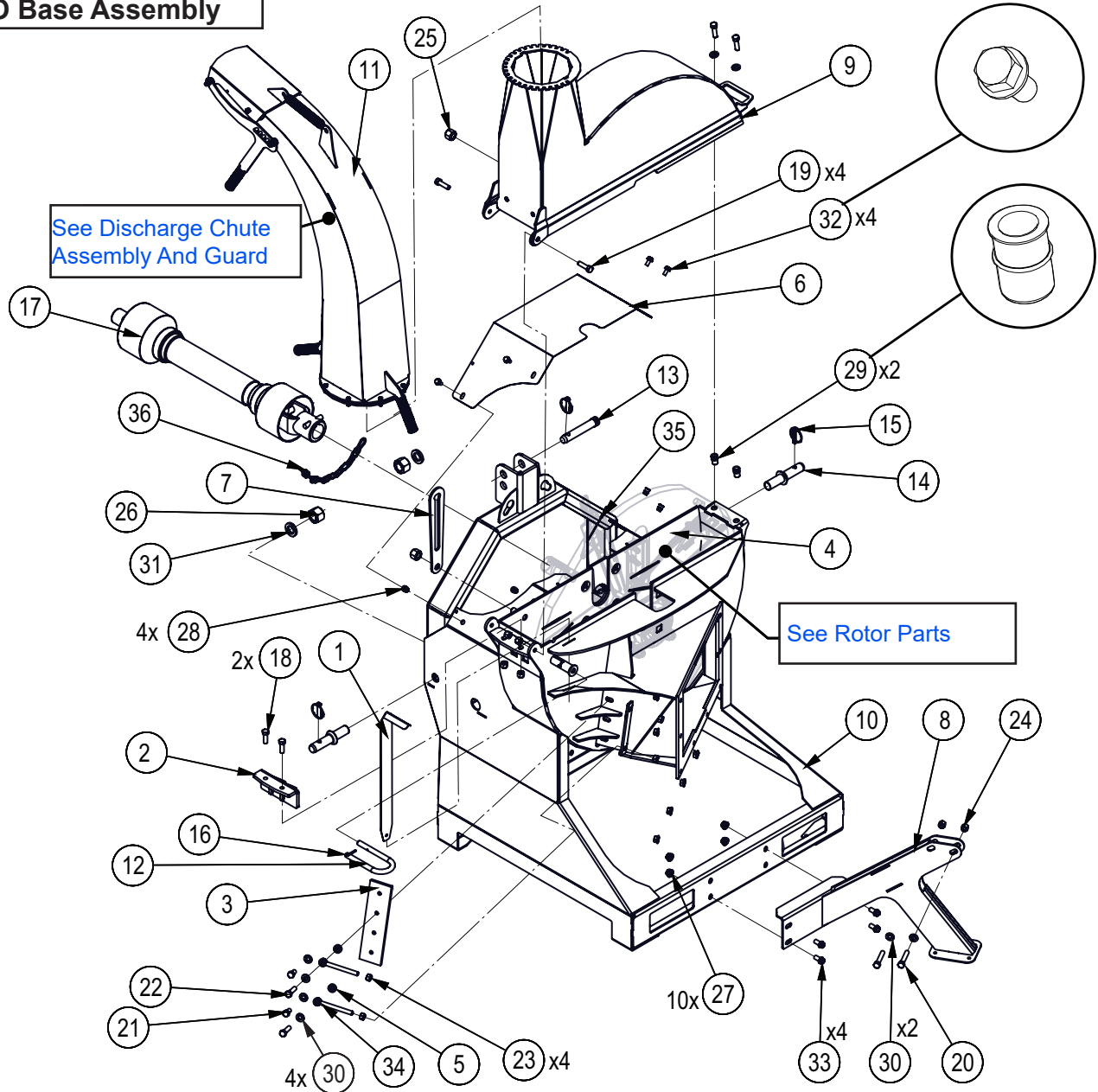
Main Parts	4
PTO Base Assembly	5
Rotor Parts	6
Discharge Chute Assembly and Guard	7
Upper Roller Assembly	8
Lower Roller Assembly	9
Hopper Assembly (Top View) SN 1102R215 to 1102R406	10
Hopper Assembly (Top View) SN 1102R407 & Up	11
Hopper Assembly (Bottom View)	12
Feed Table Parts	13
Feed Roller Valve Detail	14
Feed Roller Control Detail	14
Hydraulic Winch Option	15
Winch Drum Detail	16
Winch Arm Assembly	16
Fairlead Assembly Detail	17
Roller Lift Hydraulic Cylinder	17
Hydraulic Cylinder Detail	18
Flow Divider Detail	18
Control Valve Detail – Winch Option	19
IntelliFEED Option – S/N 1102R215 to 1102R377	20-A
P3 Option – S/N 1102R378 to 1102R406	20-B
P3 Option – S/N 1102R407 & Up	20-C
IntelliFEED Roller Control Components – S/N 1102R215 to 1102R377	21-A
IntelliFEED Roller Control Components – S/N 1102R378 & Up	21-B
PTO Shaft	22
Hydraulic Circuit	23
Hydraulic Circuit – Winch Option	24
IntelliFEED Wiring Harness – S/N 1102R215 to 1102R377	25
P3 Wiring Harness – S/N 1102R378 & Up	26
Decal Layout	27
Decal Layout	28
Decal Layout	29
Accessories	30
Common Bolt Torque Values	31
Hydraulic Fitting Torque Values	32

Main Parts



Item No.	Part No.	Description	Qty
1	1021A105	PTO Base Assembly	1
2	1022A211	PTO Hopper SubAssembly	1
3	1022A210	STD Hyd Feed Table	1
4	Z72551	Serrated Flange Locknut, 1/2NC	6
5	Z76153	Flange Bolt, 1/2NC x 1"	8
6	Z94601	SMV Decal	1

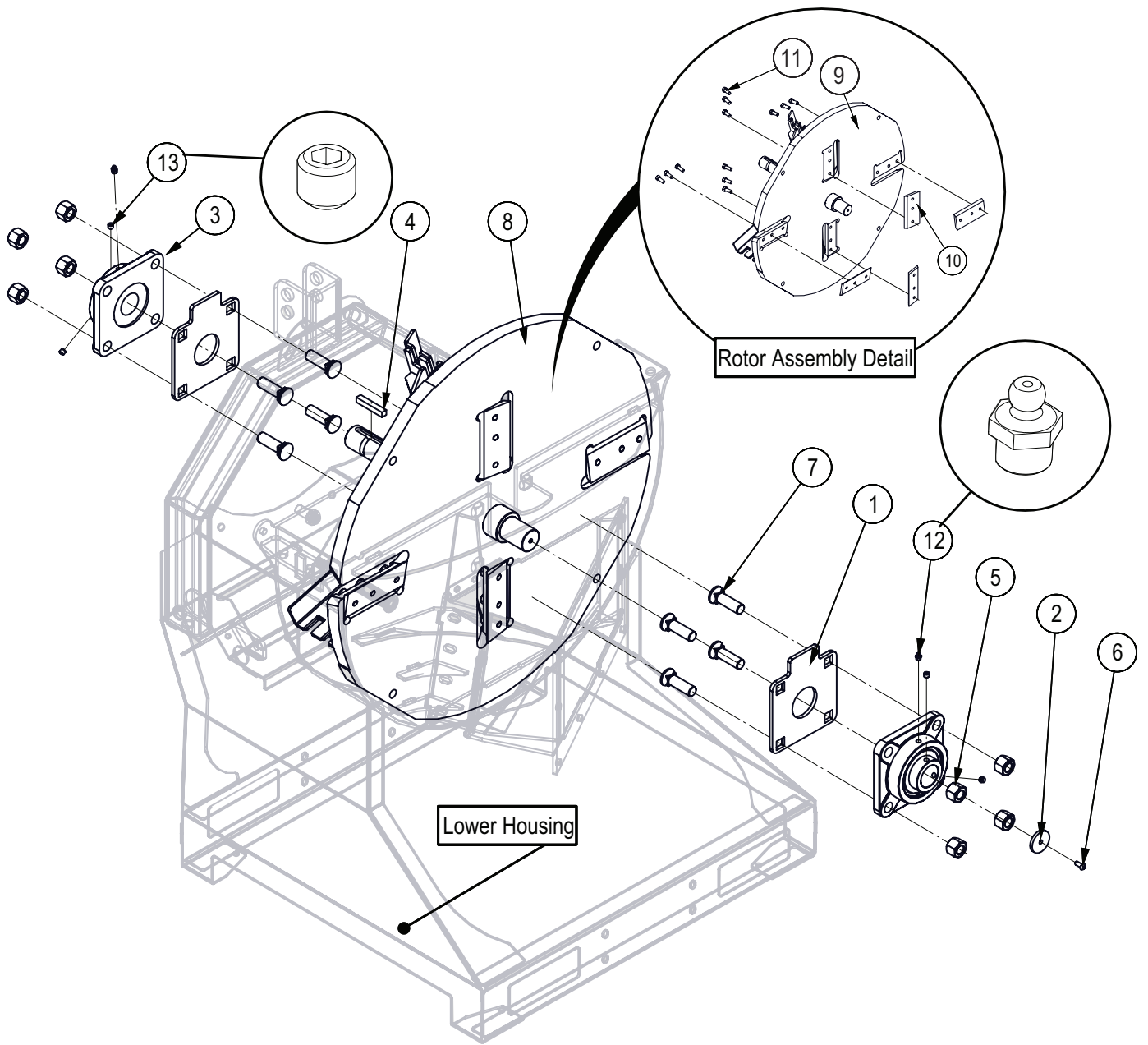
PTO Base Assembly



Item No.	Part No.	Description	Qty
1	1012L269	Gauge, Ledger Setting	1
2	1012W204	Twig Breaker	1
3	1019M904	Knife, BX92 Ledger	1
4	1021A101	Rotor Assembly, 10" Capacity	1
5	1021L150	Ledger Washer	2
6	1021L153	PTO Shield	1
7	1021L155	Rotation Stop	1
8	1021W104	Hopper Support Weldment	1
9	1021W105	Weldment, Upper Housing	1
10	1021W106	Lower Housing Weldment, 7-1/2"	1
11	1023A215	Discharge Chute, BX72	1
12	1082M402	Locking Plunger	1
13	Z11142	Toplink Pin, 1" x 4-5/16"	1
14	Z11441	Implement Pin, 1-1/8" x 1-3/4" x 1-1/8NF	2
15	Z12140	Lynch Pin, 7/16"	3
16	Z14151	Roll Pin, 3/16" x 1-1/2"	1
17	Z44802	PTO Shaft, Series B8 x 36.496" (2" Crossbolt)	1
18	Z71515	Hex Bolt, 1/2NC x 1-1/2"	2
19	Z71517	Hex Bolt, 1/2NC x 1-3/4"	4

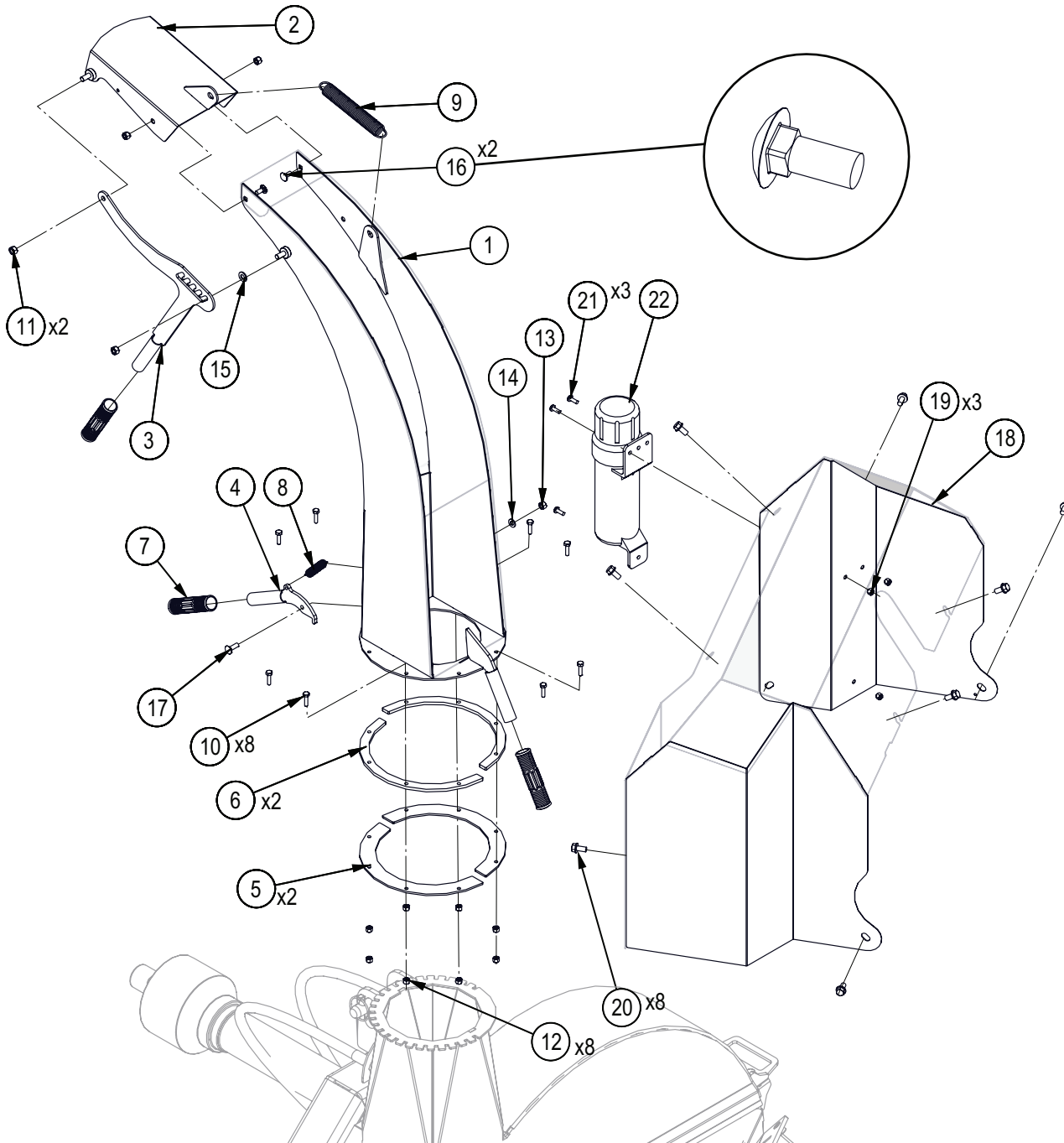
Item No.	Part No.	Description	Qty
20	Z71527	Hex Bolt, 1/2NC x 2-3/4"	2
21	Z7157268	Hex Bolt 1/2NF x 7/8 Gr8	2
22	Z71579G8	Hex Bolt, 1/2NF x 1-3/4" G8	2
23	Z72151	Hex Nut, 1/2NC	4
24	Z72251	Hex Lock Nut, 1/2NC	6
25	Z72271	Hex Lock Nut, 3/4NC	2
26	Z72294	Hex Lock Nut, 1-1/8NF	2
27	Z72551	Serrated Flange Locknut, 1/2NC	10
28	Z72959	Rivet Nut, 3/8NC x 312	4
29	Z72961	Rivet Nut, 1/2NC x 350	2
30	Z73151	SAE Washer, 1/2"	8
31	Z73391	Split Lock Washer, 1-1/8"	2
32	Z76133	Flange Bolt, 3/8NC x 3/4"	4
33	Z76153	Flange Bolt, 1/2NC x 1"	4
34	Z76552	Rod End, 1/2NC x 5" Full Threads	2
35	Z92114	Aircraft Cable, 1/16" x 12"	1
36	Z92310	PTO Support Chain, 3/16" x 1ft with Two Snaps	1

Rotor Parts



Item No.	Part No.	Description	Qty
1	1021L165	Bearing Plate, BX102R x 5/16"	2
2	1021S102	Rotation Indicator Cover	1
3	Z25209	4-Bolt Flange Bearing, UCF311-32G	2
4	Z46563	Key, 1/2" x 1/2" x 3"	1
5	Z72281G8	Hex Lock Nut, 7/8NC G8	8
6	Z75351	BHCS, 5/16NF x 3/4"	1
7	Z76681G8	Dome Plow Bolt, 7/8NC x 3" G8	8
8	1021A101	Rotor Assembly, 10" Capacity	1
9	1021W101	Rotor Weldment, 10" Capacity	1
10	1019M903	Knife, BX92 Rotor	4
11	Z71575G8	Hex Bolt, 1/2NF x 1-1/4" G8	12
12	Z29201	Grease Fitting, MP02	2
13	Z74141	Set Screw, 7/16NF x 3/8"	4

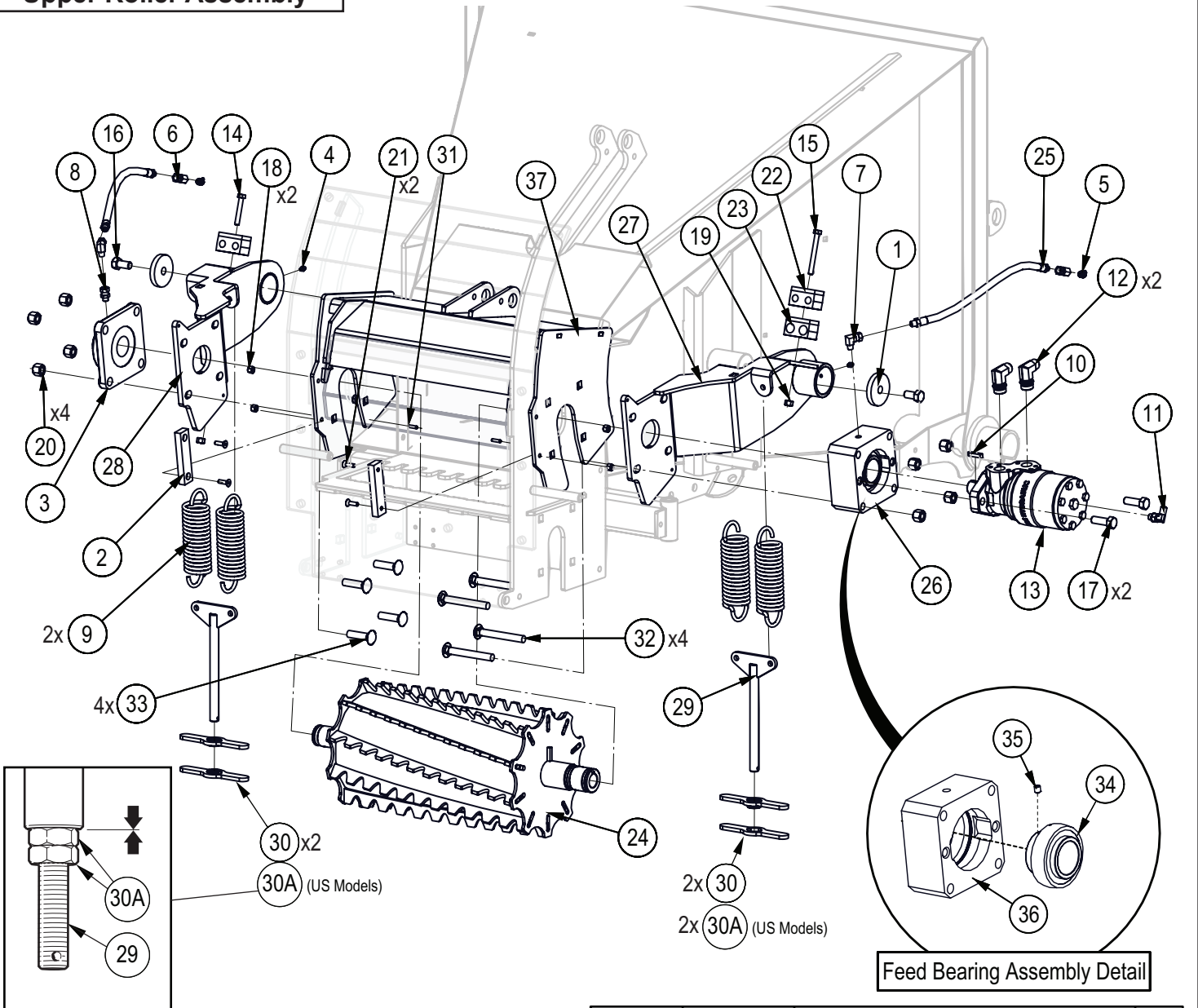
Discharge Chute Assembly and Guard



Item No.	Part No.	Description	Qty
1	1023W223	Discharge Chute	1
2	1023W224	Discharge Deflector	1
3	1023W226	Deflector Handle	1
4	1024W108	Discharge Latch	1
5	1023L291	Hood Capture Ring	2
6	1023L292	Spacer Ring	2
7	Z19321	Handle Grip, 1"	3
8	Z31305	Ext Spring, 5/8" OD x 3" x 0.08"	1
9	Z31403	Ext Spring, 27mm OD x 178mm x 0.105"	1
10	Z71110	Hex Bolt, 1/4NC x 1"	8
11	Z72131	Hex Nut, 3/8NC	2
12	Z72211	Hex Lock Nut, 1/4NC	8

Item No.	Part No.	Description	Qty
13	Z72221	Hex Lock Nut, 5/16NC	3
14	Z73122	SAE Washer, 5/16"	1
15	Z73131	SAE Washer, 3/8"	1
16	Z76221	Carriage Bolt, 5/16NC x 3/4"	2
17	Z76225	Carriage Bolt, 5/16NC x 1"	1
18	1022W221	Bridge Guard	1
19	Z72211	Hex Lock Nut, 1/4NC	3
20	Z76133	Flange Bolt, 3/8NC x 3/4"	8
21	Z78301	Machine Screw, 1/4NC x 3/4"	3
22	Z96503	Manual Tube, 3-1/2" Short	1

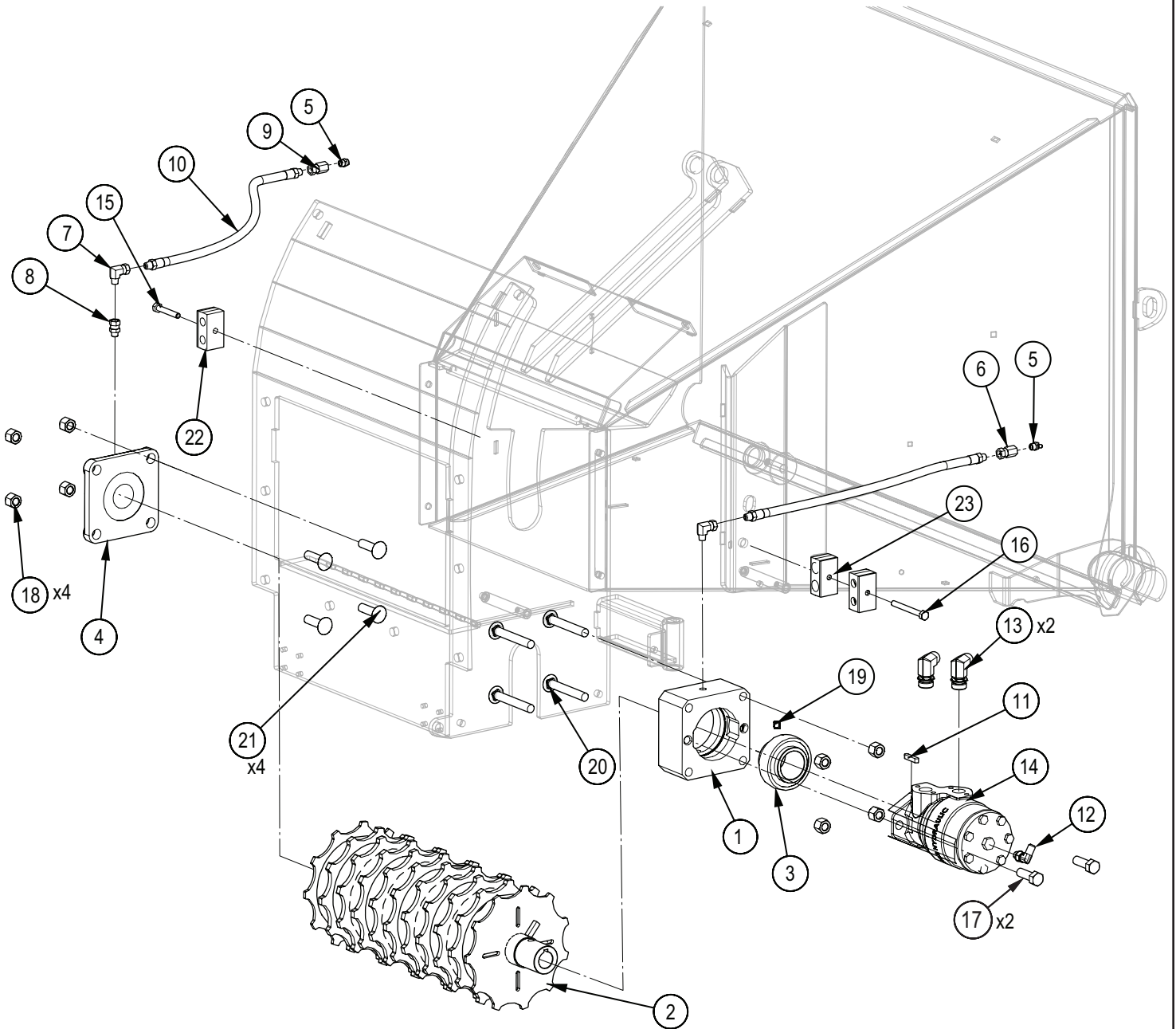
Upper Roller Assembly



Item No.	Part No.	Description	Qty
1	1015L618	Capture Washer	2
2	1022S208	Rotor Hood Slide	2
3	Z25204	4-Bolt Flange Bearing, UCF208-24	1
4	Z29202	Grease Fitting, 1/4NF	2
5	Z29204	Elbow 45 Grease Fitting, MP02	2
6	Z29302	Grease Fitting, FP x FPX 0202	2
7	Z29307	Elbow 90 Grease Fitting, MP x FPX 0202	2
8	Z29311	Grease Fitting, MP x FPX 0202	1
9	Z31501	Ext Spring, 2" OD x 7" x 0.250"	4
10	Z46594	Blind Chipper Key, 1/4" x 1/4" x 1-1/4"	1
11	Z51657	Elbow 90, MJIC x MORB 0404	1
12	Z51658	Elbow 90, MJIC x MORB 0810	2
13	Z54105	Hydraulic Motor, 400CCR	1
14	Z71220	Hex Bolt, 5/16NC x 2"	1
15	Z71230	Hex Bolt, 5/16NC x 3"	1
16	Z71510	Hex Bolt, 1/2NC x 1"	2
17	Z71515	Hex Bolt, 1/2NC x 1-1/2"	2
18	Z72211	Hex Lock Nut, 1/4NC	4

Item No.	Part No.	Description	Qty
20	Z72251	Hex Lock Nut, 1/2NC	8
21	Z75211	FHCS, 1/4NC x 7/8"	4
22	Z79462	Double Hose Clamp, 1/2" OD	2
23	Z79463	Double Hose Clamp, 11/16" OD	1
24	1022W231	BX102R Upper Feed Roller, Spiral	1
25	1021F106	1/4" Grease Whip, MP02 x MP02 x 13"	2
26	1022A205	Feed Bearing Assembly	1
27	1022W202	Roller Pivot Arm LH	1
28	1022W202H	Roller Pivot Arm RH	1
29	1022W206	Spring Yoke	2
30	1022W220	Nut Handle	4
30A	Z72361	Jam Nut, 5/8NC (US Models only)	4
31	Z14152	Roll Pin, 3/16" x 3/4"	4
32	Z762511	Carriage Bolt, 1/2NC x 4"	4
33	Z76255	Carriage Bolt, 1/2NC x 2"	4
34	Z21903	Ball Bearing, UC209-28 x Insert	1
35	Z74122	Set Screw, 5/16NF x 3/8"	1
36	1022M218	UC Motor Bearing Housing	1
37	1060W307	Bridge, Guarded - BX102R, BX102RI	1

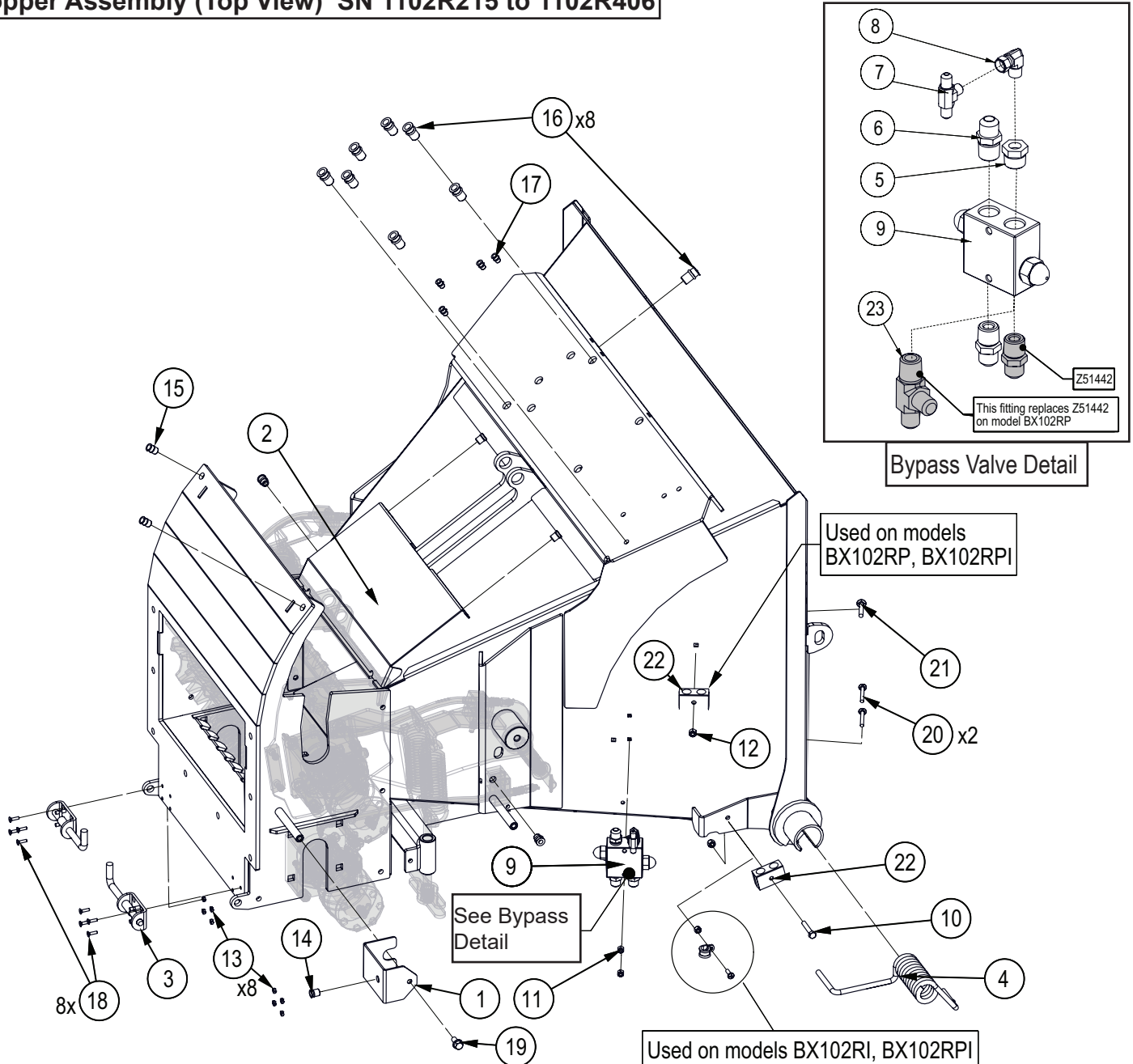
Lower Roller Assembly



Item No.	Part No.	Description	ty
1	1022M218	UC Motor Bearing Housing	1
2	1022W205	Lower Feed Roll	1
3	Z21903	Ball Bearing Insert 1-3/4"	1
4	Z25204	4-Bolt Bearing 1-1/2" Bore	1
5	Z29204	Grease Fitting, 1/8NPT x 45	2
6	Z29302	Straight, FP x FPX 0202	1
7	Z29307	Elbow 90 MP x FPX 0202	2
8	Z29311	Straight, MP x FPX 0202	1
9	Z29312	Straight, FP x FPX 0202	1
10	Z29313	1/4 Grease Hose, MP02 x MP02 x 16"	2
11	Z46594	Blind Chipper Key 1/4 x 1-1/4	1
12	Z51657	Elbow 90, MORB x MJIC 0404	1

Item No.	Part No.	Description	Qty
13	Z51658	Elbow 90 MJIC x MORB 0810	2
14	Z54104	315 Series Hydraulic Motor	1
15	Z71220	Hex Bolt, 5/16NC x 2	1
16	Z71230	Hex Bolt, 5/16NC x 3	1
17	Z71515	Hex Bolt, 1/2NC x 1-1/2	2
18	Z72251	Hex Lock Nut, 1/2NC	8
19	Z74122	Set Screw, 5/16NF	1
20	Z762510	Carriage Bolt, 1/2NC x 3-1/2	4
21	Z76258	Carriage Bolt, 1/2NC x 1-3/4	4
22	Z79462	Double Hose Clamp 1/2"	2
23	Z79463	Double Hose Clamp 11/16"	1

Hopper Assembly (Top View) SN 1102R215 to 1102R406



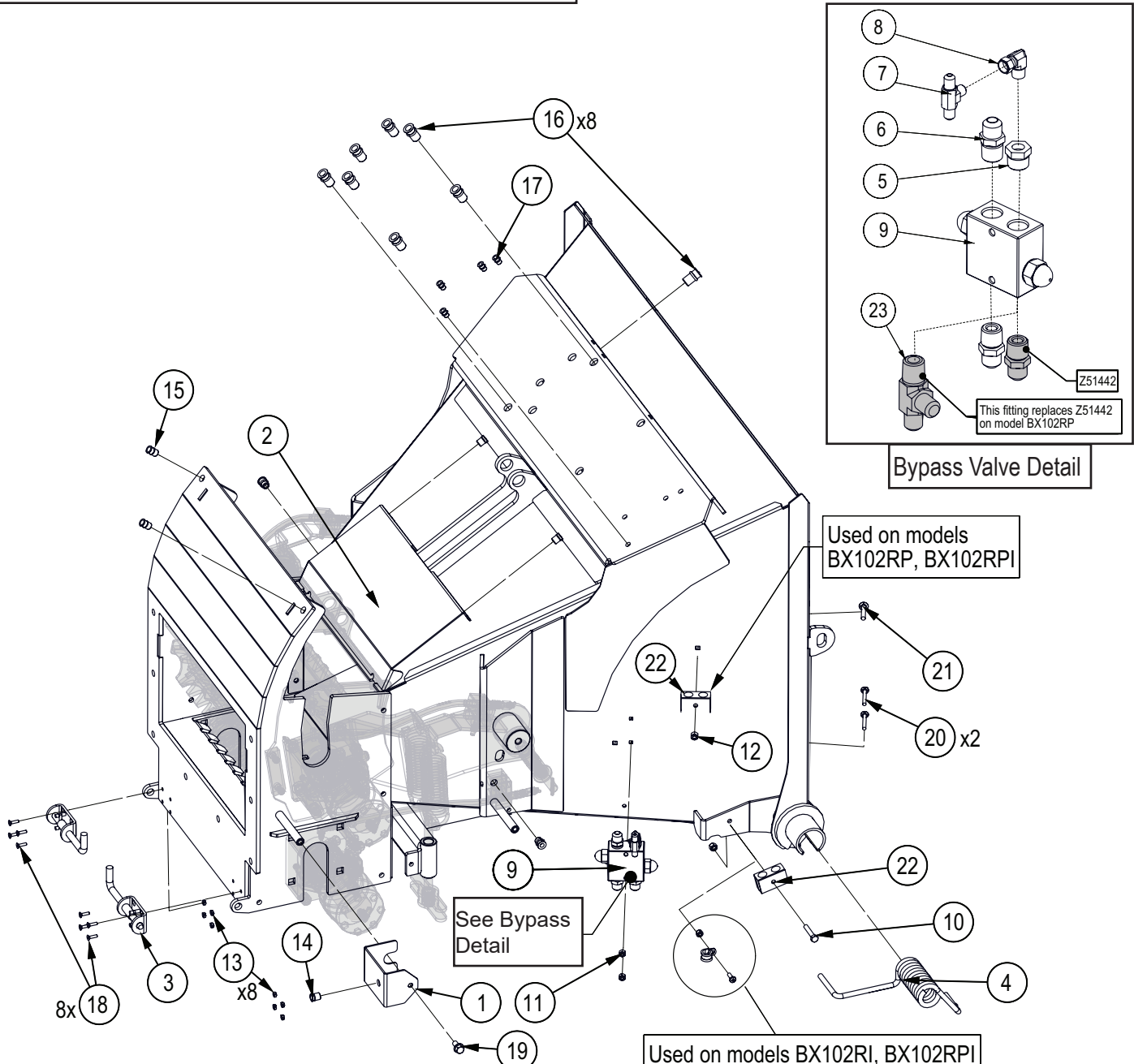
Note: Main Hopper
 BX102R, BX102RI p/n 1022W201
 BX102RP, BX102RPI p/n 1083W107

Used on models BX102RI, BX102RPI
 1 x Z72211 Hex Lock Nut 1/4 NC
 1 x Z62819 Rubberized Wire Clamp
 1 x Z78301 Mach. Screw 1/4-20 x 3/4
 1 x Z73111 Flat Washer 1/4

Item No.	Part No.	Description	Qty
1	1022L300	Bridge Guard Mount	1
2	1022W201	Main Hopper	1
3	Z18207	Spring Latch Pin 1/2 x 1" Stroke	2
4	Z33302	Torsion Spring 3/8wire x 2 O.D. x 5" LH	1
5	Z51222	Reducer, 1/2MP x 1/4FP	1
6	Z51442	Straight, #8 JIC x 1/2NPT	3
7	Z51488	Tee MJIC x MJIC x MJIC 040404	1
8	Z51522	Elbow 90 MP x FJICX 0404	1
9	Z56401	Crossover Relief Valve	1
10	Z71217	Hex Bolt, 5/16NC x 1-3/4	1
11	Z72211	Hex Lock Nut, 1/4NC	2
12	Z72221	Hex Lock Nut, 5/16NC	2

Item No.	Part No.	Description	Qty
13	Z72752	Machine Nut, #10-32NF	8
14	Z72958	Riv-Nut 3/8NC x 150	3
15	Z72959	Riv-Nut 3/8NC x 312	2
16	Z72961	Riv-Nut 1/2NC x 350	8
17	Z72962	Riv-Nut, 1/4NC x 260	4
18	Z75203	FHCS, #10-32NF x 3/4	8
19	Z76133	Flange Bolt, 3/8NC x 3/4	1
20	Z76213	Carriage Bolt, 1/4NC x 2	2
21	Z76227	Carriage Bolt, 5/16NC x 1-3/4	1
22	Z79463	Double Hose Clamp 11/16"	2
23	Z51487	Tee MJIC x MP x MJIC 080808	1

Hopper Assembly (Top View) SN 1102R407 & Up



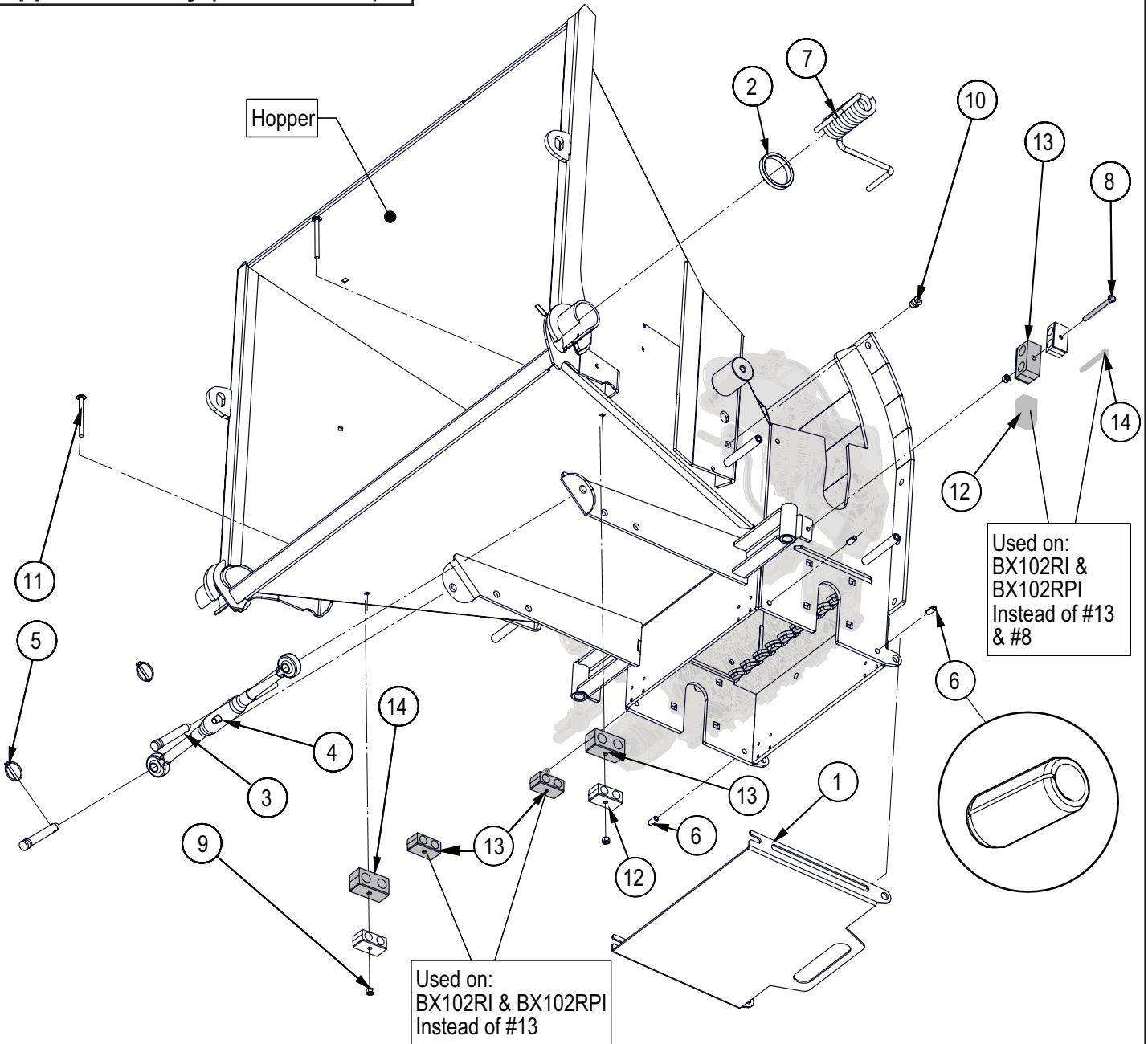
Note: Main Hopper
 BX102R, BX102RI p/n 1022W201
 BX102RP, BX102RPI p/n 1083W107

Used on models BX102RI, BX102RPI
 1 x Z72211 Hex Lock Nut 1/4 NC
 1 x Z62819 Rubberized Wire Clamp
 1 x Z78301 Mach. Screw 1/4-20 x 3/4
 1 x Z73111 Flat Washer 1/4

Item No.	Part No.	Description	Qty
1	1022L300	Bridge Guard Mount	1
2	1022W201	Main Hopper	1
3	Z18207	Spring Latch Pin 1/2 x 1" Stroke	2
4	Z33302	Torsion Spring 3/8wire x 2 O.D. x 5" LH	1
5	Z516420	Straight, MJIC x MORB 0408	1
6	Z51643	Straight, MJIC x MORB 0808	3
7	Z515902	Tee MJIC x MJIC x FJICX 040404	1
8	Z51569	Elbow 90 MP x FJICX 0404	1
9	Z56401	Crossover Relief Valve	1
10	Z71217	Hex Bolt, 5/16NC x 1-3/4	1
11	Z72211	Hex Lock Nut, 1/4NC	2
12	Z72221	Hex Lock Nut, 5/16NC	2

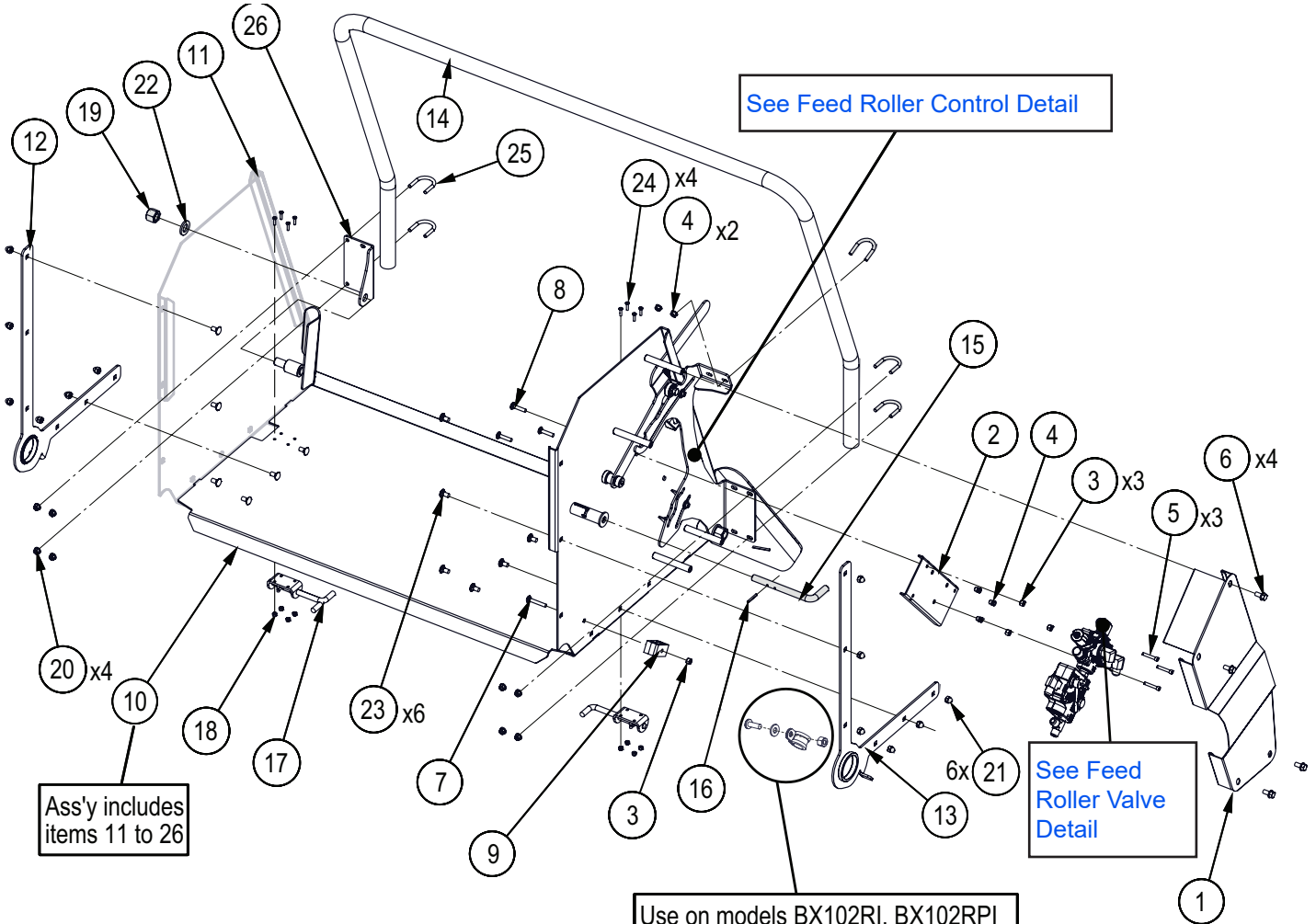
Item No.	Part No.	Description	Qty
13	Z72752	Machine Nut, #10-32NF	8
14	Z72958	Riv-Nut 3/8NC x 150	3
15	Z72959	Riv-Nut 3/8NC x 312	2
16	Z72961	Riv-Nut 1/2NC x 350	8
17	Z72962	Riv-Nut, 1/4NC x 260	4
18	Z75203	FHCS, #10-32NF x 3/4	8
19	Z76133	Flange Bolt, 3/8NC x 3/4	1
20	Z76213	Carriage Bolt, 1/4NC x 2	2
21	Z76227	Carriage Bolt, 5/16NC x 1-3/4	1
22	Z79463	Double Hose Clamp 11/16"	2
23	Z51487	Tee MJIC x MP x MJIC 080808	1

Hopper Assembly (Bottom View)



Item No.	Part No.	Description	Qty
1	1022L280	Lower Roller Guard	1
2	1022M230	Feed Table Wear Bushing	1
3	Z11111	Toplink Pin 5/8 x 2-3/4	2
4	Z11501	Toplink, Cat 0	1
5	Z12110	Latch Pin 3/16	2
6	Z14301	Roll Pin, 10mm x 22mm	3
7	Z33301	Torsion Spring 3/8wire x 2 O.D. x 5" RH	1
8	Z71235	Hex Bolt, 5/16NC x 3-1/2	1
9	Z72221	Hex Lock Nut, 5/16NC	3
10	Z72957	Riv-Nut 5/16NC x 312	2
11	Z76229	Carriage Bolt, 5/16NC x 3-1/2	2
12	Z79463	Double Hose Clamp 11/16"	4
13	Z79464	Double Hose Clamp 13/16"	3
14	Z71230	Hex Bolt, 5/16NC x 3	1

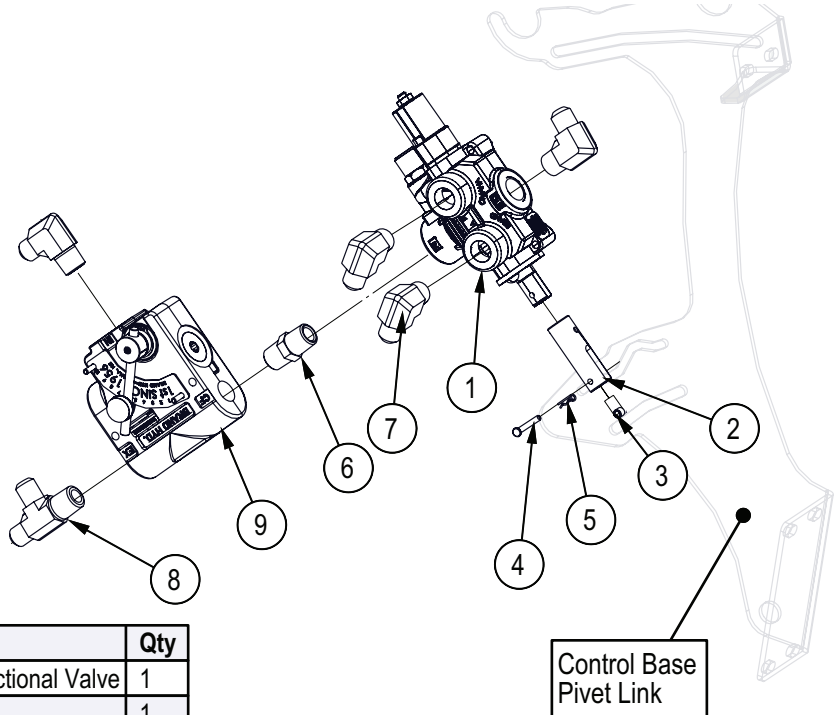
Feed Table Parts



Item No.	Part No.	Description	Qty
1	1022L256	Valve Guard	1
2	1023L285	Valve Mount Plate	1
3	Z72221	Hex Lock Nut, 5/16NC	4
4	Z72955	Rivet Nut, 1/4NC x 165	3
5	Z75116	SHCS, 1/4NC x 1-1/2"	3
6	Z76133	Flange Bolt, 3/8NC x 3/4"	4
7	Z762202	Carriage Bolt, 5/16NC x 2"	1
8	Z76224	Carriage Bolt, 5/16NC x 1-1/2"	3
9	Z79463	Double Hose Clamp, 1 1/16" OD	1
10	1022A201	Common Feed Table Assembly	1
11	1022W204	Feed Table	1
12	1022W230	Feed Table Trap Plate	1
13	1022W230H	Feed Table Trap, LH	1
14	1022S203	Feed Control Handle	1

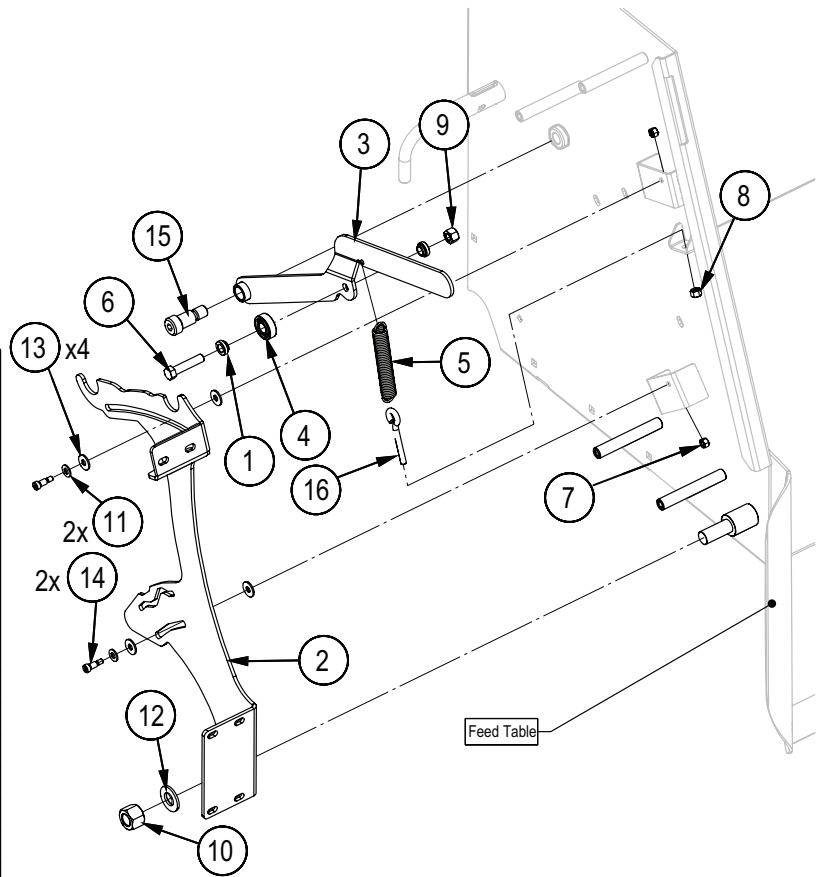
Item No.	Part No.	Description	Qty
15	1061M108	L Handled Plunger, Compact	1
16	Z14151	Roll Pin, 3/16" x 1-1/2"	1
17	Z18207	Spring Latch Pin, 1/2" x 1" Stroke	2
18	Z72204	Hex Lock Nut, #10NF	8
19	Z72271	Hex Lock Nut, 3/4NC	1
20	Z72521	Serrated Flange Locknut, 5/16NC	10
21	Z72911	Acorn Nut, 3/8NC	12
22	Z73171	SAE Washer, 3/4"	1
23	Z76233	Carriage Bolt, 3/8NC x 3/4"	12
24	Z78316	Machine Screw, #10NF x 3/4"	8
25	1015S538	U-bolt, Bearing Adapter	5
26	1022L271	Feed Control Pivot	1

Feed Roller Valve Detail



Item No.	Part No.	Description	Qty
1	Z56215	Spring Ctr Low Force Directional Valve	1
2	1022M213	Bearing Yoke	1
3	1022M217	Solid Bearing	1
4	Z11301	Clevis Pin 3/16 x 1-3/8"	1
5	Z12210	Hitch Pin Clip, 1/16	1
6	Z51122	Nipple, MP x MP 0808	1
7	Z51451	#8JIC x 1/2NPT 90 Elbow	4
8	Z51487	Tee MJIC x MP x MJIC 080808	1
9	Z56305	Brand PFC 0-8 GPM	1

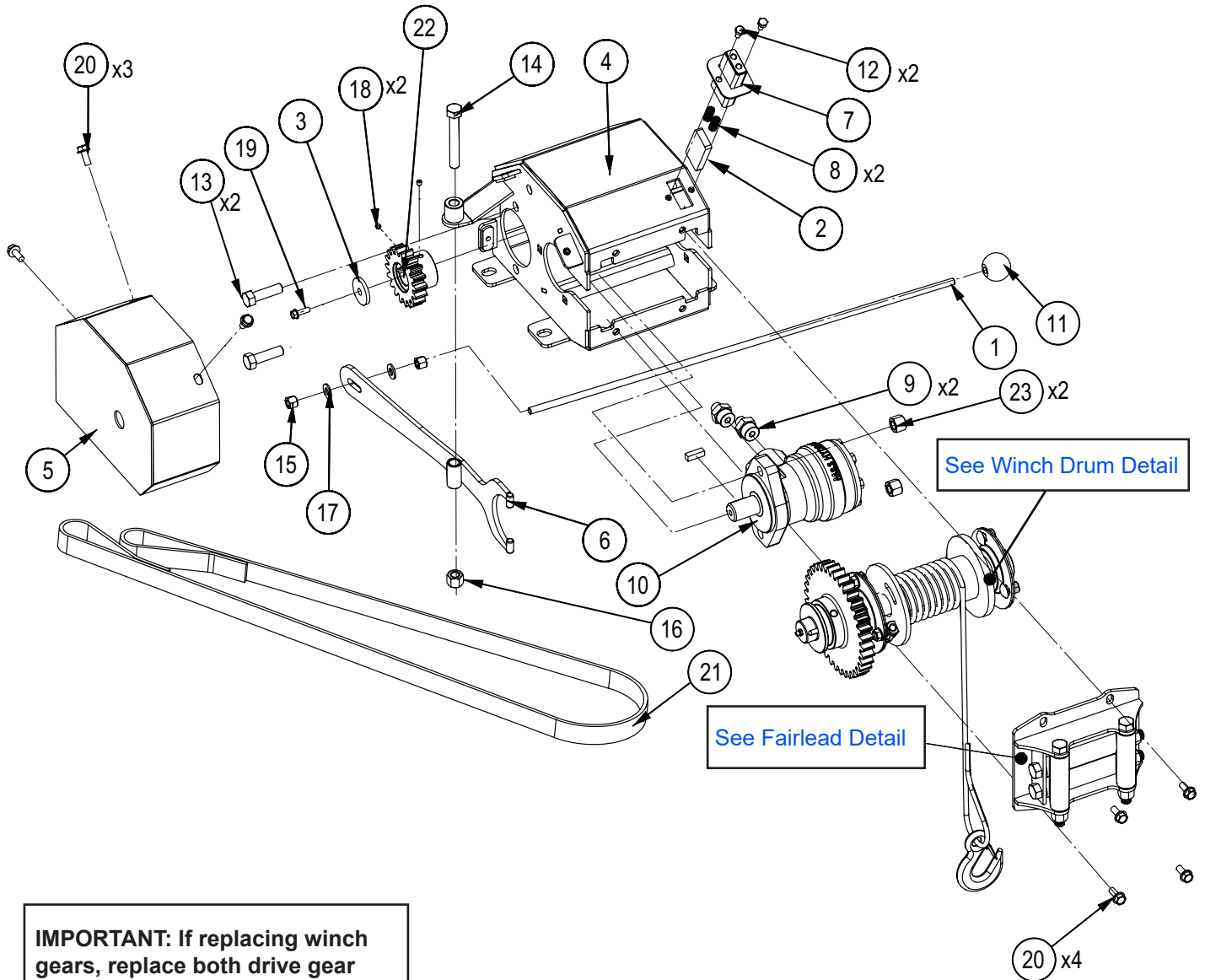
Feed Roller Control Detail



Item No.	Part No.	Description	Qty
1	1015M537	Bushing, Bearing	2
2	1022L239	Control Base Pivot Link	1
3	1022W224	Detent Reset	1
4	Z21203	Ball Bearing 6202 RS	1
5	Z31401	Spring 3/4 x 4" Heavy	1
6	Z71420	Hex Bolt, 7/16NC x 2	1
7	Z72211	Hex Lock Nut, 1/4NC	2
8	Z72221	Hex Lock Nut, 5/16NC	1
9	Z72241	Hex Lock Nut, 7/16NC	1
10	Z72271	Hex Lock Nut, 3/4NC	1
11	Z73122	Flat Washer, 5/16	2
12	Z73171	Flat Washer, 3/4"	1
13	Z73222	PTFE Flat Washer, 5/16 x 0.080"	4
14	Z75522	Shoulder Bolt, 5/16 x 1/2"	2
15	Z75574	Shoulder Bolt, 3/4 x 1	1
16	Z76522	Eye Bolt 5/16NC x 2	1

Hydraulic Winch Option

MODELS BX102RP, BX102RPI



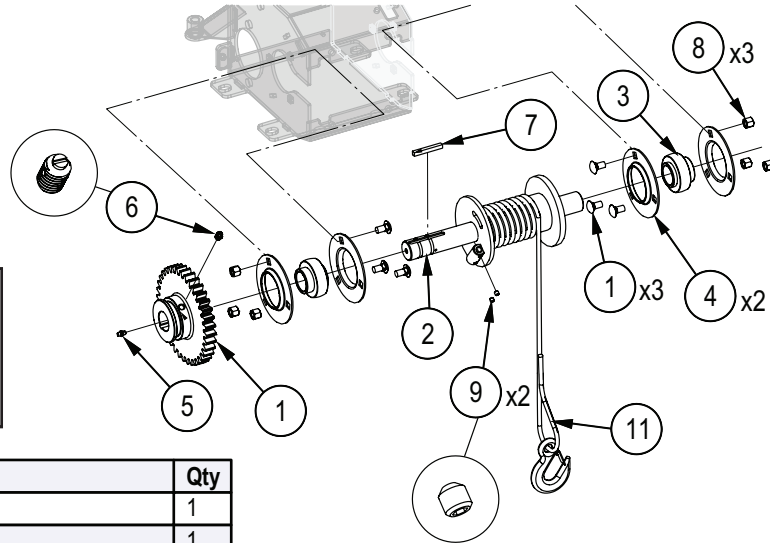
IMPORTANT: If replacing winch gears, replace both drive gear and driven gear so they are correctly matched.

Item No.	Part No.	Description	Qty
1	1083M203	Winch Control Rod	1
2	5012M204	Block, Drum Brake	1
3	5081L114	Washer, Motor Shaft	1
4	5081W102	Housing, Winch	1
5	5081W111	Shield	1
6	5081W112	Handle, Winch Clutch	1
7	5081W114	Holder, Brake Pad	1
8	Z32201	Comp Spring, 10mm OD x 64mm x 0.0475"	2
9	Z51645	Straight, MJIC x MORB 0610	2
10	Z54108	Hydraulic Motor, 50CCR	1
11	Z56914	Handle Kit, Knob	1
12	Z71105	Hex Bolt, 1/4NC x 1/2"	2

Item No.	Part No.	Description	Qty
13	Z71517	Hex Bolt, 1/2NC x 1-3/4"	2
14	Z71535	Hex Bolt, 1/2NC x 3-1/2"	1
15	Z72231	Hex Lock Nut, 3/8NC	2
16	Z72251	Hex Lock Nut, 1/2NC	1
17	Z73131	SAE Washer, 3/8"	2
18	Z74111	Set Screw, 1/4NC x 1/4"	2
19	Z76111	Flange Bolt, 1/4NC x 3/4"	1
20	Z76121	Flange Bolt, 5/16NC x 3/4"	7
21	Z92405	60" Winching Strap	1
22	5081M126	Drive Gear Hub	1
23	Z72551	Serrated Flange LockNut, 1/2NC	2

Winch Drum Detail

MODELS BX102RP, BX102RPI

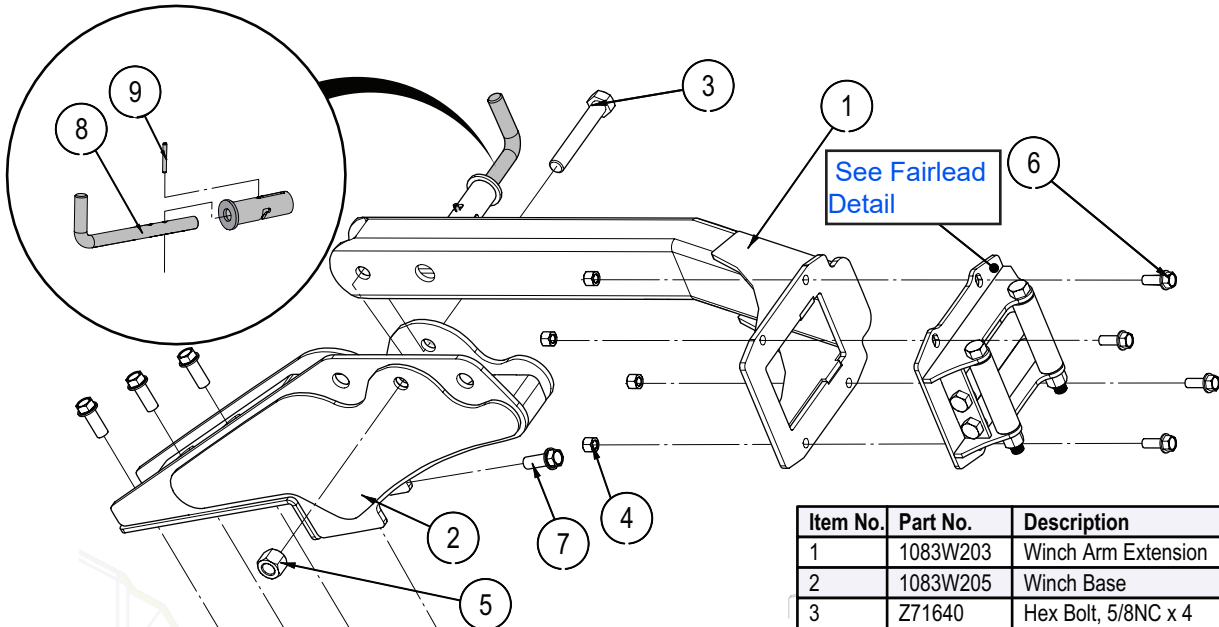


IMPORTANT: If replacing winch gears, replace both drive gear and driven gear so they are correctly matched.

Item No.	Part No.	Description	Qty
1	5081M125	Gear, Driven	1
2	5081W121	Drum, Main Cable	1
3	Z25207	Z25203 Insert Only	2
4	Z25301	PF206 Flange Only	4
5	Z29202	Grease Zerk 1/4NF	1
6	Z34302	Spring Plunger, 3/8NC x 5/8" x 21 lbs	1
7	Z46531	Key, 1/4 x 1/4 x 2	1
8	Z72231	Hex Lock Nut, 3/8NC	6
9	Z74113	Set Screw, 1/4NC x 1/2"	2
10	Z76233	Carriage Bolt, 3/8NC x 3/4"	6
11	Z92112	Synthetic Winch Rope 1/4 x 50' with Hook	1

Winch Arm Assembly

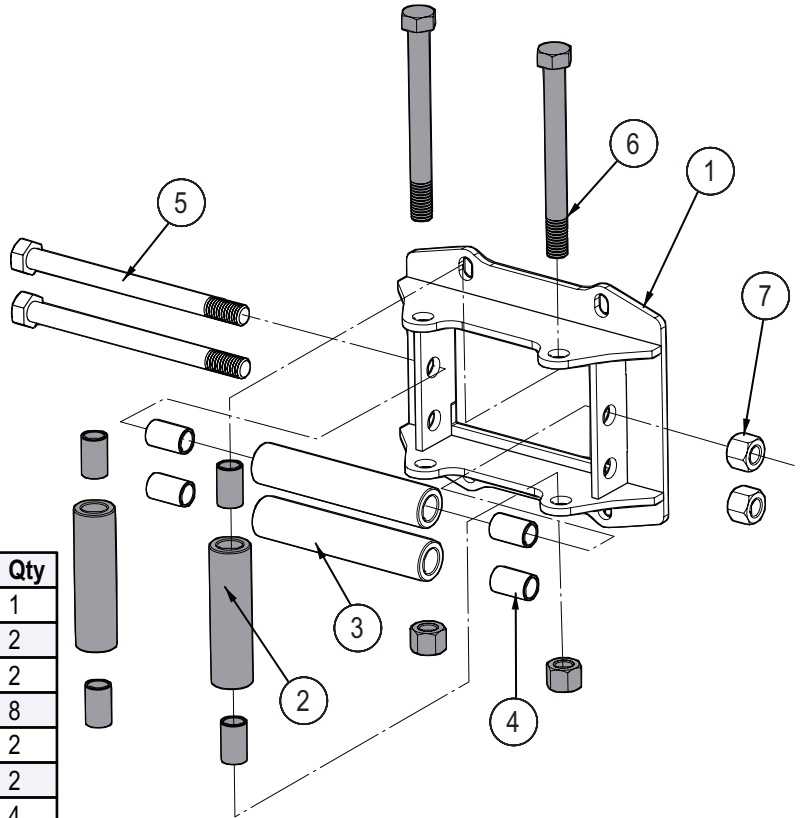
MODELS BX102RP, BX102RPI



Item No.	Part No.	Description	Qty
1	1083W203	Winch Arm Extension	1
2	1083W205	Winch Base	1
3	Z71640	Hex Bolt, 5/8NC x 4	1
4	Z72231	Hex Lock Nut, 3/8NC	4
5	Z72261	Hex Lock Nut, 5/8NC	1
6	Z76134	Flange Bolt, 3/8NC x 1	4
7	Z76152	Flange Bolt, 1/2NC x 1-1/4	3
8	1061M108	L Handled Plunger, Compact	1
9	Z14151	Roll Pin, 3/16" x 1-1/2"	1

Fairlead Assembly Detail

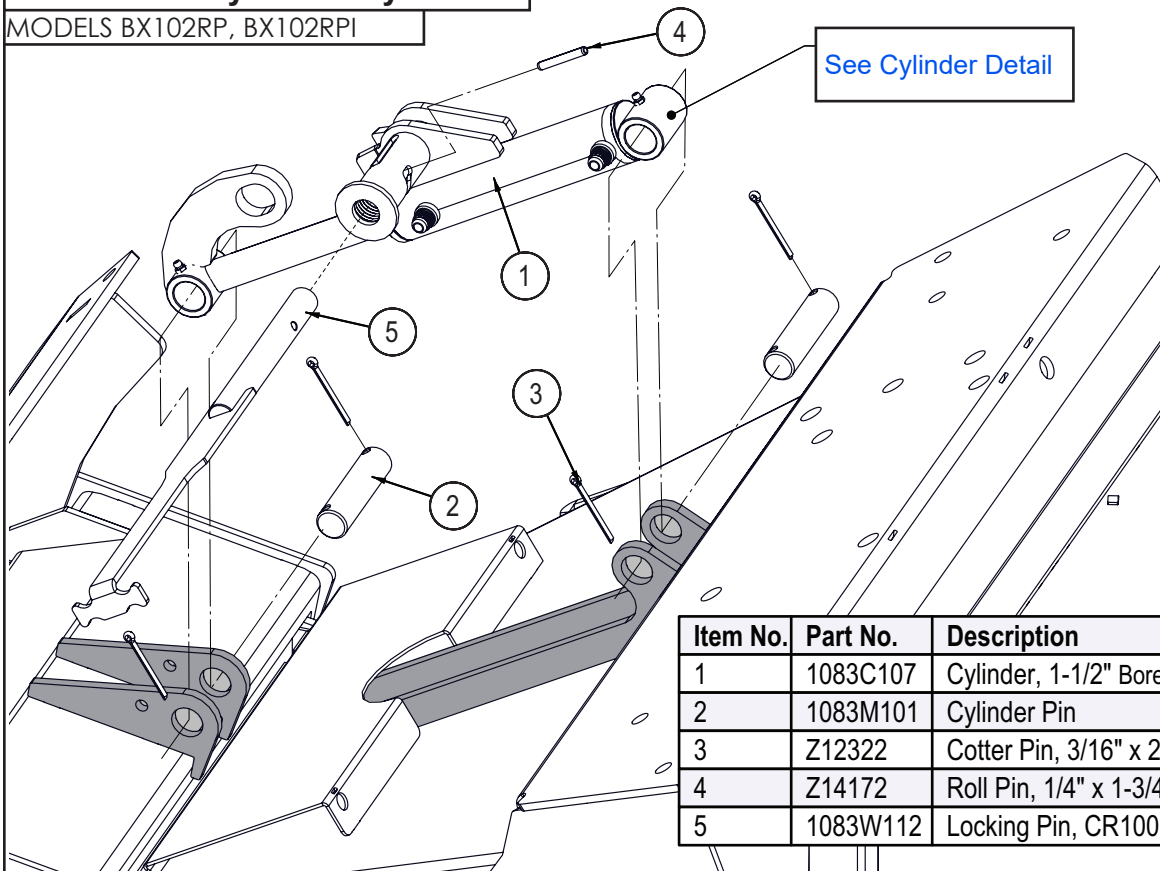
MODELS BX102RP, BX102RPI



Item	Part No.	Description	Qty
1	5081W103	Bracket, Fairlead	1
2	5081M109	Bushing, Fairlead Side	2
3	5081M111	Bushing, Fairlead Top	2
4	Z27103	Fiberglide Bearing 1/2" x 1"	8
5	Z71566	Hex Bolt, 1/2NC x 6-1/4, 5-1/4 Shank	2
6	Z71567	Hex Bolt, 1/2NC x 5, 4" Shank	2
7	Z72251	Hex Lock Nut, 1/2NC	4

Roller Lift Hydraulic Cylinder

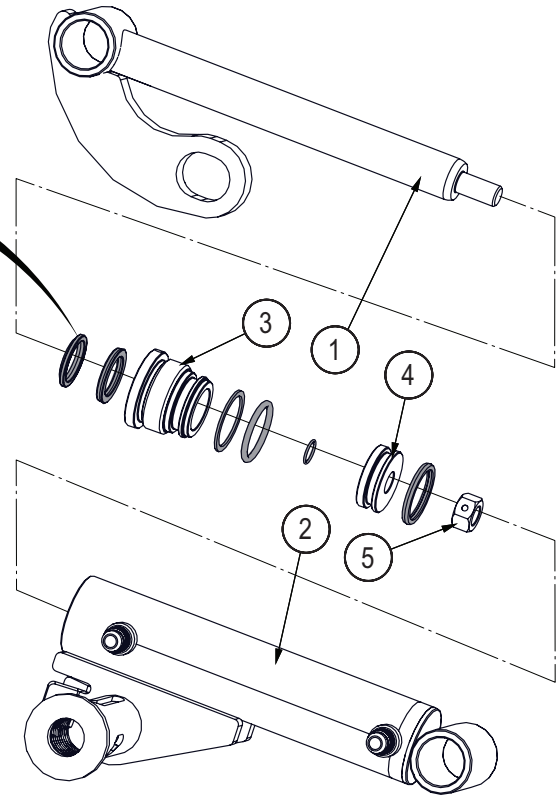
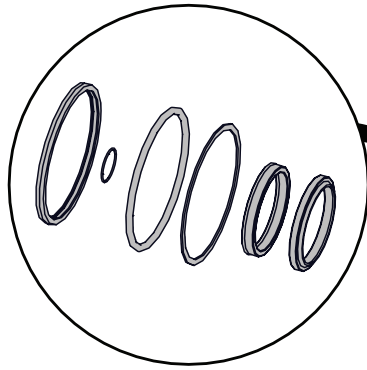
MODELS BX102RP, BX102RPI



Item No.	Part No.	Description	Qty
1	1083C107	Cylinder, 1-1/2" Bore x 6" Stroke x Locking	1
2	1083M101	Cylinder Pin	2
3	Z12322	Cotter Pin, 3/16" x 2"	4
4	Z14172	Roll Pin, 1/4" x 1-3/4"	1
5	1083W112	Locking Pin, CR100 Hood	1

Hydraulic Cylinder Detail

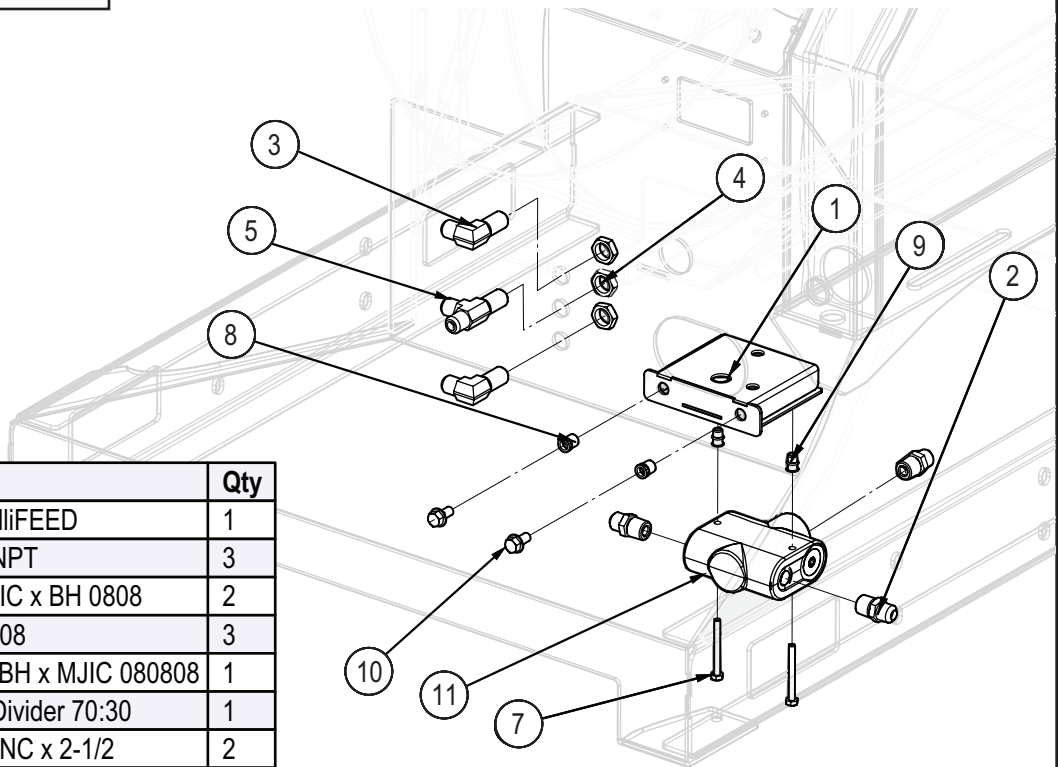
MODELS BX102RPI



Item No.	Part No.	Description	Qty
1	1083C1063	Rod, 1x3/4	1
2	1083C1064	Barrel, 1-1/2" Bore	1
3	G150-100S	Gland, 1-1/2" x 1"	1
4	P500-150SP	Piston, 1-1/2" Bore	1
5	Z72254	Hex CTR-lock Nut, 1/2NF	1

Flow Divider Detail

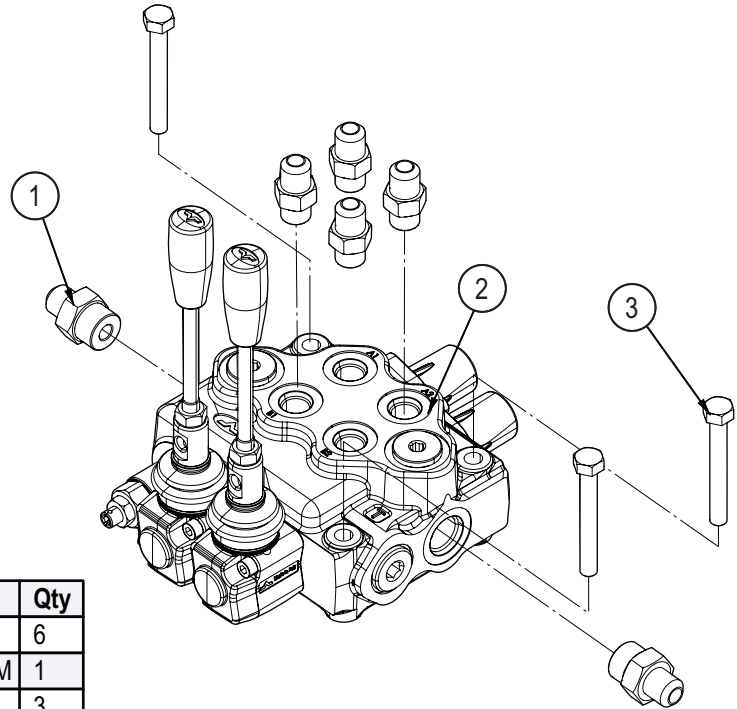
MODELS BX102RPI



Item No.	Part No.	Description	Qty
1	1083W151	BX102R IntelliFEED	1
2	Z51442	#8 JIC x 1/2NPT	3
3	Z51492	Elbow 90 MJIC x BH 0808	2
4	Z51493	BH Locknut, 08	3
5	Z51494	Tee, MJIC x BH x MJIC 080808	1
6	Z56306	Brand Flow Divider 70:30	1
7	Z71125	Hex Bolt, 1/4NC x 2-1/2	2
8	Z72958	Riv-Nut 3/8NC x 150	2
9	Z72962	Riv-Nut, 1/4NC x 260	2
1	Z76133	Flange Bolt, 3/8NC x 3/4	2

Control Valve Detail – Winch Option

MODELS BX102RP, BX102RPI



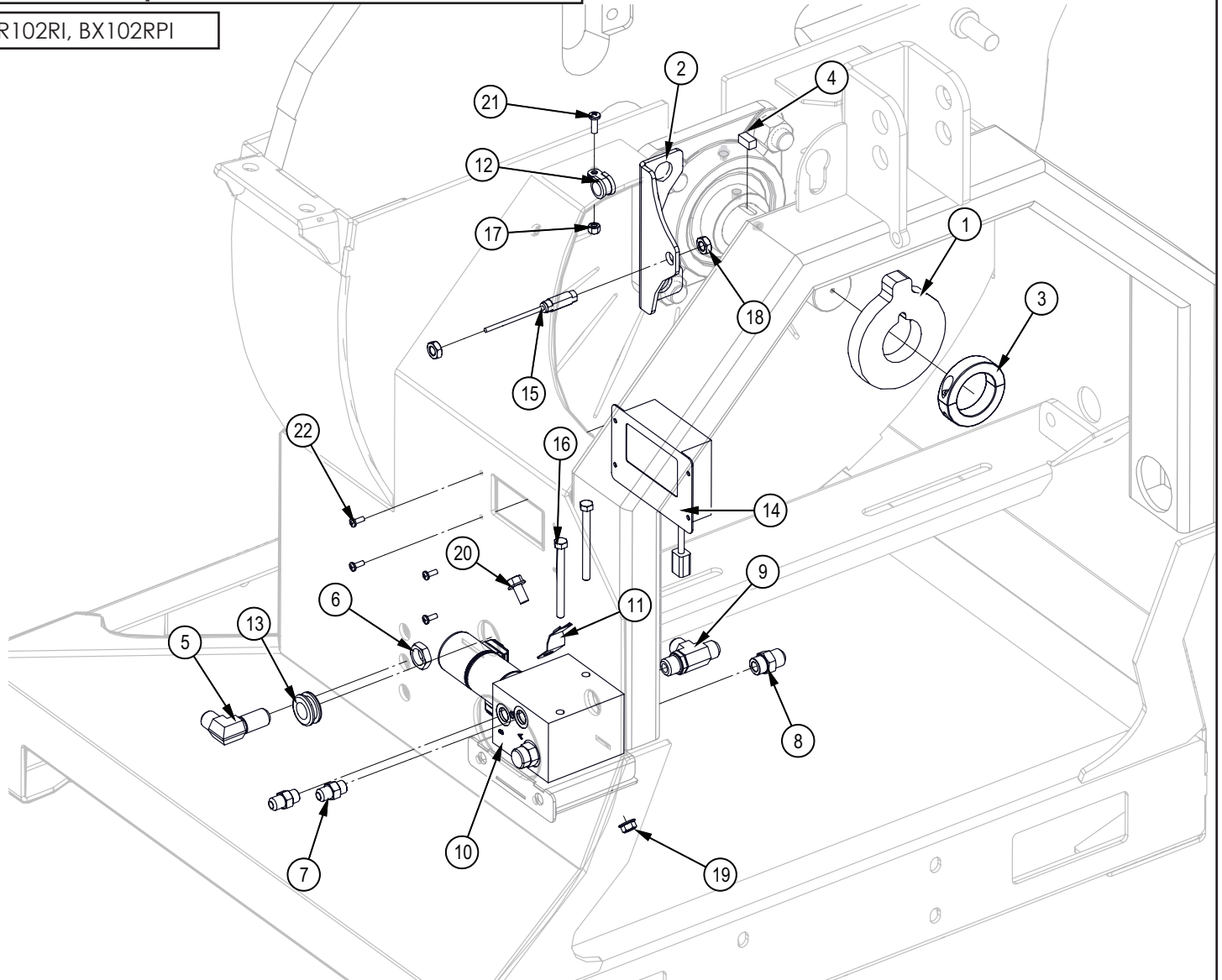
Item No.	Part No.	Description	Qty
1	Z51644	Straight, MJIC x MORB 0608	6
2	Z56218	Two Spool Valve, VC x 12GPM	1
3	Z71225	Hex Bolt, 5/16NC x 2-1/2"	3

Seal and Replacement Kits

1x SK SD5/1	Complete seal kit for your part #Z56216)
1x SK SD5/2	Complete seal kit for your part #Z56219)
1x L5(M8)	Lever box

IntelliFEED Option – S/N 1102R215 to 1102R377

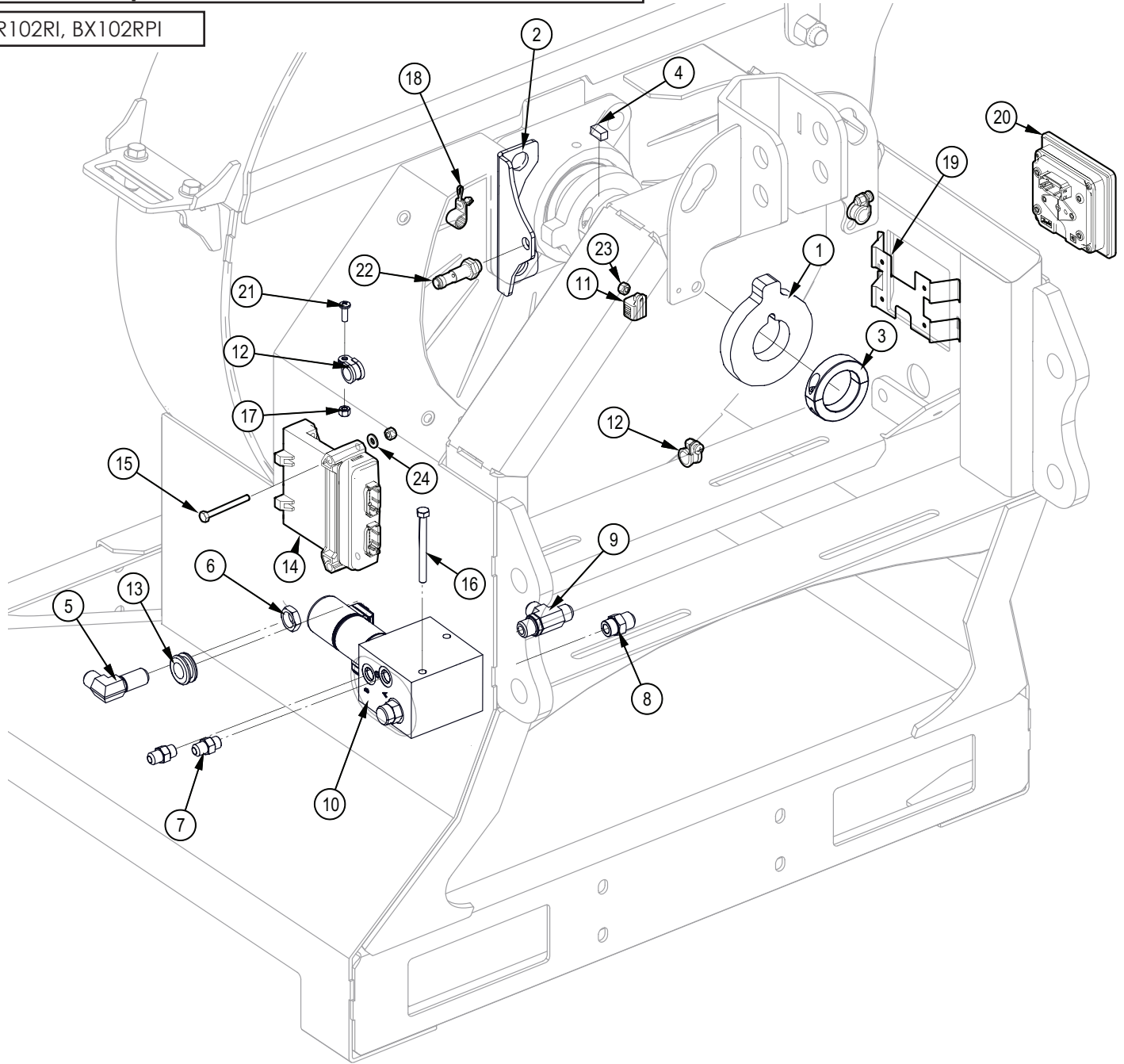
BXR102RI, BX102RPI



Item No.	Description	Description	Qty
1	1083L151	Rotor Speed Indicator, BX102R	1
2	1083L152	Sensor Mounting Bracket	1
3	Z46314	Shaft Collar, 2" ID x 11/16	1
4	Z46552	Key, 3/8 x 3/8 x 3/4	1
5	Z51492	Elbow 90 MJIC x BH 0808	1
6	Z51493	BH Locknut, 08	1
7	Z51641	#6ORB x #6JIC	2
8	Z51643	#8ORB x #8JIC	1
9	Z51673	Tee, MJIC x MORB x MJIC 080808	1
10	Z56508	CR IntelliFEED Manifold 6gpm	1
11	Z62816	Deutsch Mounting Clip	1
12	Z62819	Rubberized Wire Clamp, 1/2"	1
13	Z62822	Rubber Grommet 3/4 x 1/4	1
14	Z66204	Control, IntelliFEED	1
15	Z66207	IntelliFEED Pickup Sensor with Lead	1
16	Z71235	Hex Bolt, 5/16NC x 3-1/2	2
17	Z72211	Hex Lock Nut, 1/4NC	1
18	Z72341	Jam Nut, 7/16-14NC	2
19	Z72531	Flange Nut 3/8NC	1
20	Z76133	Flange Bolt, 3/8NC x 3/4	1
21	Z78301	Machine Screw, 1/4-20NC x 3/4	1
22	Z78303	Machine Screw, #10-32NF x 1/2	4

P3 Option – S/N 1102R378 to 1102R406

BXR102RI, BX102RPI

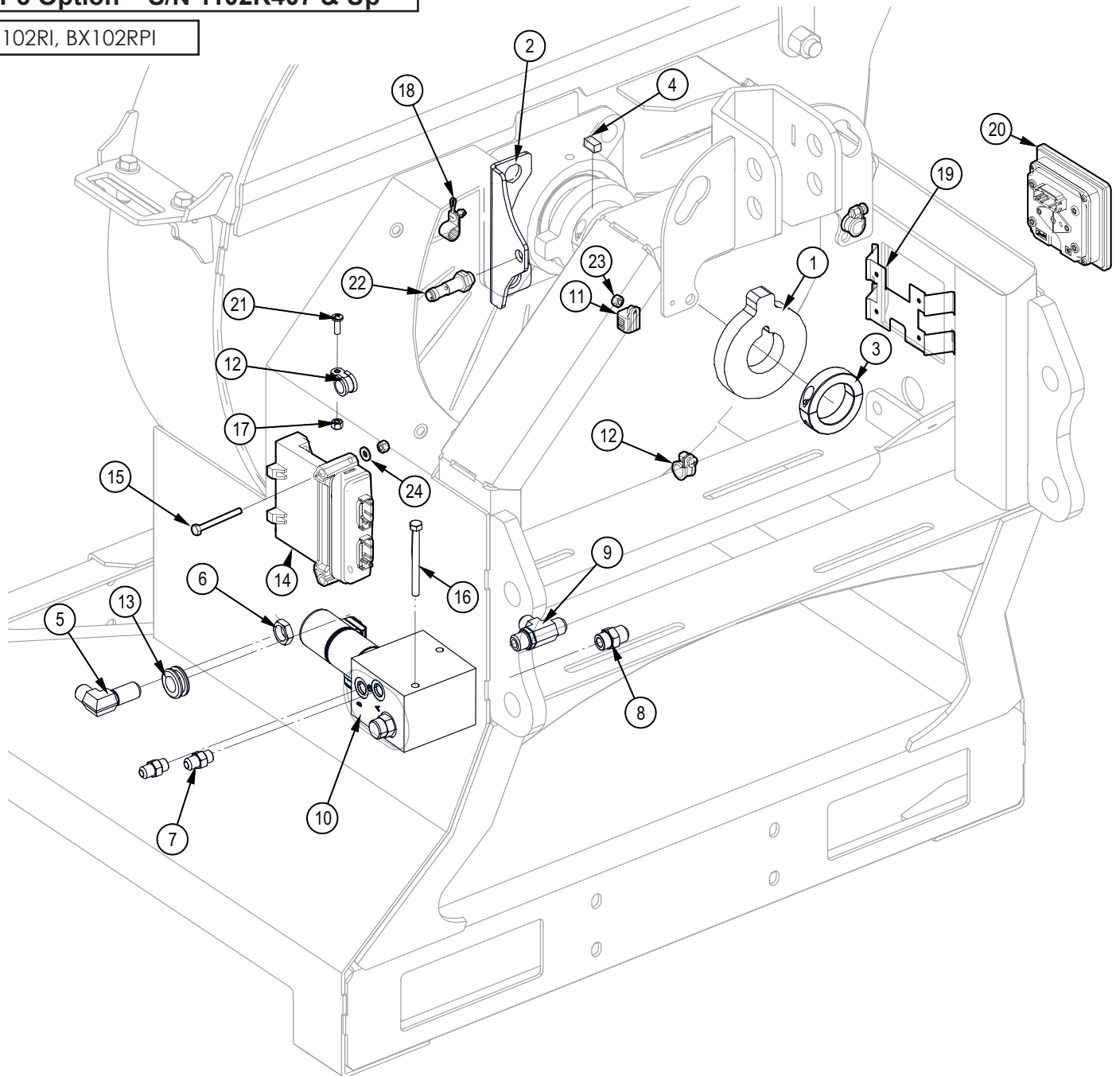


Item No.	Description	Descriptio	ty
1	1083L151	Rotor Speed Indicator, BX102	
2	1083L152	Sensor Mounting Bracket	1
3	Z46314	Shaft Collar, 2" ID x 11/16	1
4	Z46552	Key, 3/8 x 3/8 x 3/4	1
5	Z51492	Elbow 90 MJIC x BH 0808	1
6	Z51493	BH Locknut, 0	
7	Z51641	#6ORB x #6JIC	2
8	Z51643	#8ORB x #8JIC	1
9	Z51673	Tee, MJIC x MORB x MJIC 080808	1
10	Z56508	CR IntelliFEED Manifold 6gpm	1
11	Z62829	Dust Cap, DT06-6S x Lug	1

Item No.	Description	Descriptio	ty
12	Z62819	Rubberized Wire Clamp, 1/2"	4
13	Z62822	Rubber Grommet 3/4 x 1/4	1
14	Z66224	Controller, 24 Pin	1
15	Z71125	Hex Bolt, 1/4NC x 2-1/2"	2
16	Z71235	Hex Bolt, 5/16NC x 3-1/2"	2
17	Z72211	Hex Lock Nut, 1/4NC	5
18	Z62828	Cable Clamp, P-Type Push In 1/2"	1
19	Z66223	Bracket, Display Mount	1
20	Z66222	Display, 4.3" x 4 Button	1
21	Z78301	Machine Screw, 1/4-20NC x 3/4"	3
22	Z64406	Prox Sensor, 12mm NOx4mm x M12	1
23	Z72204	Hex Lock Nut, #10NF	1
24	Z73111	SAE Washer, 1/4"	2

P3 Option – S/N 1102R407 & Up

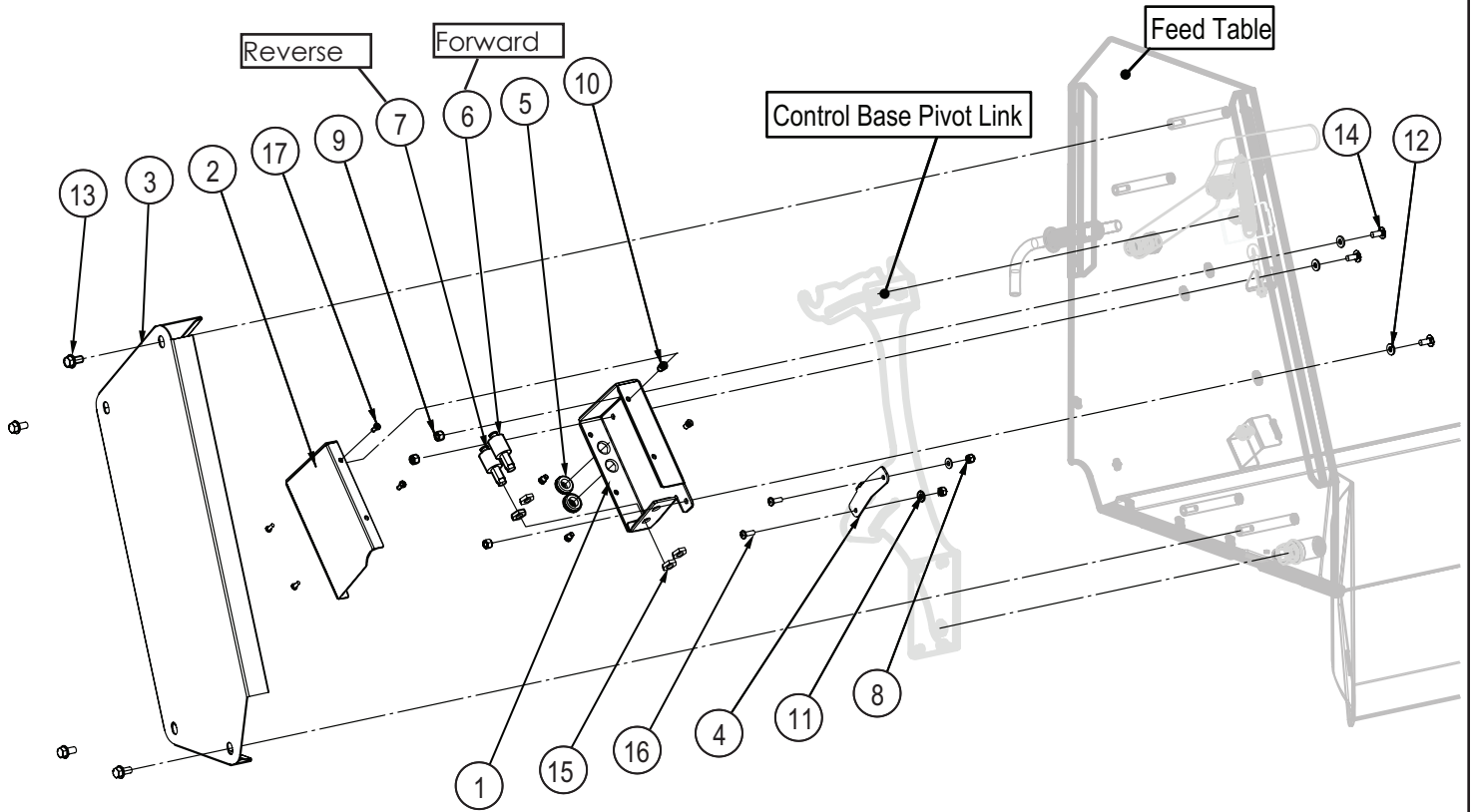
BXR102RI, BX102RPI



Item No.	Description	Descriptio	ty	Item No.	Description	Descriptio	ty
1	1083L151	Rotor Speed Indicator, BX102		12	Z62819	Rubberized Wire Clamp, 1/2"	4
2	1083L152	Sensor Mounting Bracket	1	13	Z62822	Rubber Grommet 3/4 x 1/4	1
3	Z46314	Shaft Collar, 2" ID x 11/16	1	14	1062E001	Controller, 24 Pin V2.0	1
4	Z46552	Key, 3/8 x 3/8 x 3/4	1	15	Z71125	Hex Bolt, 1/4NC x 2-1/2"	2
5	Z51492	Elbow 90 MJIC x BH 0808	1	16	Z71235	Hex Bolt, 5/16NC x 3-1/2"	2
6	Z51493	BH Locknut, 0		17	Z72211	Hex Lock Nut, 1/4NC	5
7	Z51641	#6ORB x #6JIC	2	18	Z62828	Cable Clamp, P-Type Push In 1/2"	1
8	Z51643	#8ORB x #8JIC	1	19	Z66223	Bracket, Display Mount	1
9	Z51673	Tee, MJIC x MORB x MJIC 080808	1	20	1062E002	Display, 4.3" x 4 Button V2.0	1
10	Z56508	CR IntelliFEED Manifold 6gpm	1	21	Z78301	Machine Screw, 1/4-20NC x 3/4	3
11	Z62829	Dust Cap, DT06-6S x Lug	1	22	Z64406	Prox Sensor, 12mm NOx4mm x M12	1
				23	Z72204	Hex Lock Nut, #10NF	1
				24	Z73111	SAE Washer, 1/4"	2

IntelliFEED Roller Control Components – S/N 1102R215 to 1102R377

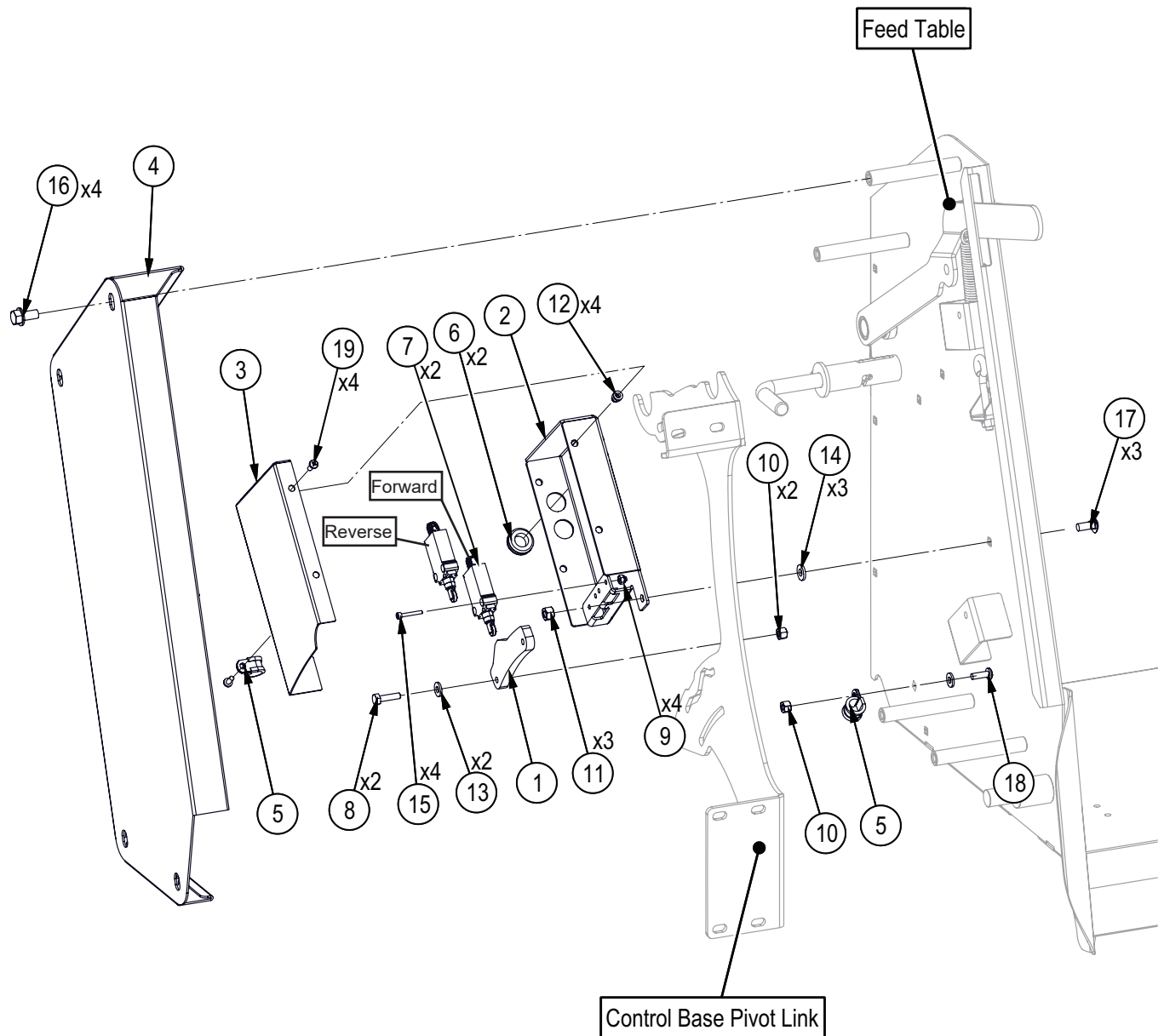
BXR102RI, BX102RPI



Item No.	Part No.	Description	Qty	
1	1083L154	Switch Mount Plate, BX102RI	1	
2	1083L155	Sensor Box Lid	1	
3	1083L156	Feed Switch Guard	1	
4	1083L157	Feed Pickup Trigger	1	
5	Z62823	Rubber Grommet 3/4 x 1/8	2	
Forward	6	Z64403	Prox Switch NO Sourcing 5amp	1
Reverse	7	Z64405	Prox Switch NO Sinking 5amp	1
8	Z72211	Hex Lock Nut, 1/4NC	4	
9	Z72221	Hex Lock Nut, 5/16NC	4	
10	Z72954	Riv-Nut #10-32NF - 130	4	
11	Z73111	Flat Washer, 1/4	2	
12	Z73123	Rubber Flat Washer, 5/16 x 0.093"	3	
13	Z76133	Flange Bolt, 3/8NC x 3/4	4	
14	Z76221	Carriage Bolt, 5/16NC x 3/4	3	
15	Z77282	Jam Nut, M14 x 1.5	4	
16	Z78301	Machine Screw, 1/4-20NC x 3/4	2	
17	Z78303	Machine Screw, #10-32NF x 1/2	4	

IntelliFEED Roller Control Components – S/N 1102R378 & Up

BXR102RI, BX102RPI

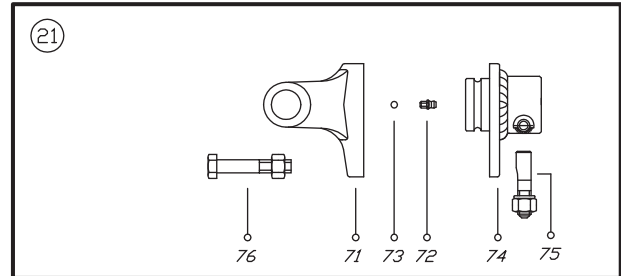
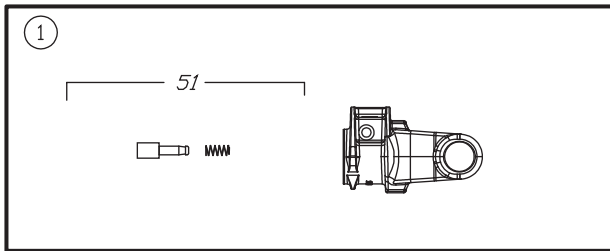
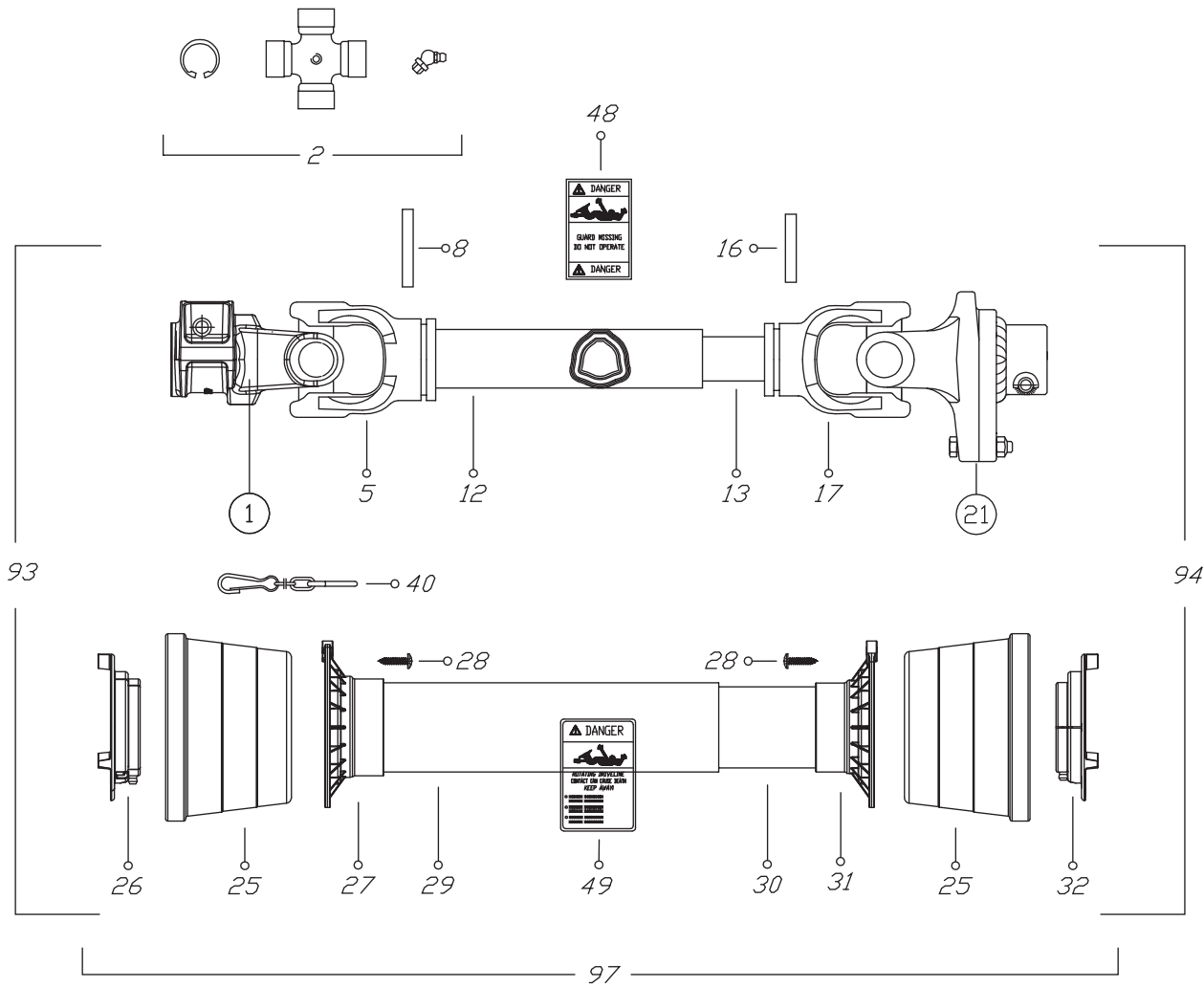


ECN0430

Item No.	Part No.	Description	Qty
1	1060L402	Feed Pickup Trigger	1
2	1060L403	Switch Mount Plate, LH	1
3	1083L155	Sensor Box Lid	1
4	1083L156	Feed Switch Guard	1
5	Z62819	Rubberized Wire Clamp, 1/2"	2
6	Z62823	Rubber Grommet, 5/8" x 1/8"	2
7	Z66115	Limit Switch, Roller Tip x M12	2
8	Z71110	Hex Bolt, 1/4NC x 1"	2
9	Z72202	Hex Lock Nut, #8NC	4
10	Z72211	Hex Lock Nut, 1/4NC	3

Item No.	Part No.	Description	Qty
11	Z72221	Hex Lock Nut, 5/16NC	3
12	Z72954	Rivet Nut, #10NF x 130	4
13	Z73111	SAE Washer, 1/4"	3
14	Z73123	Rubber Washer, 5/16" x 0.093"	3
15	Z75103	SHCS, #8NC x 1"	4
16	Z76133	Flange Bolt, 3/8NC x 3/4"	4
17	Z76221	Carriage Bolt, 5/16NC x 3/4"	3
18	Z78301	Machine Screw, 1/4NC x 3/4"	1
19	Z78303	Machine Screw, #10NF x 1/2"	4

PTO Shaft

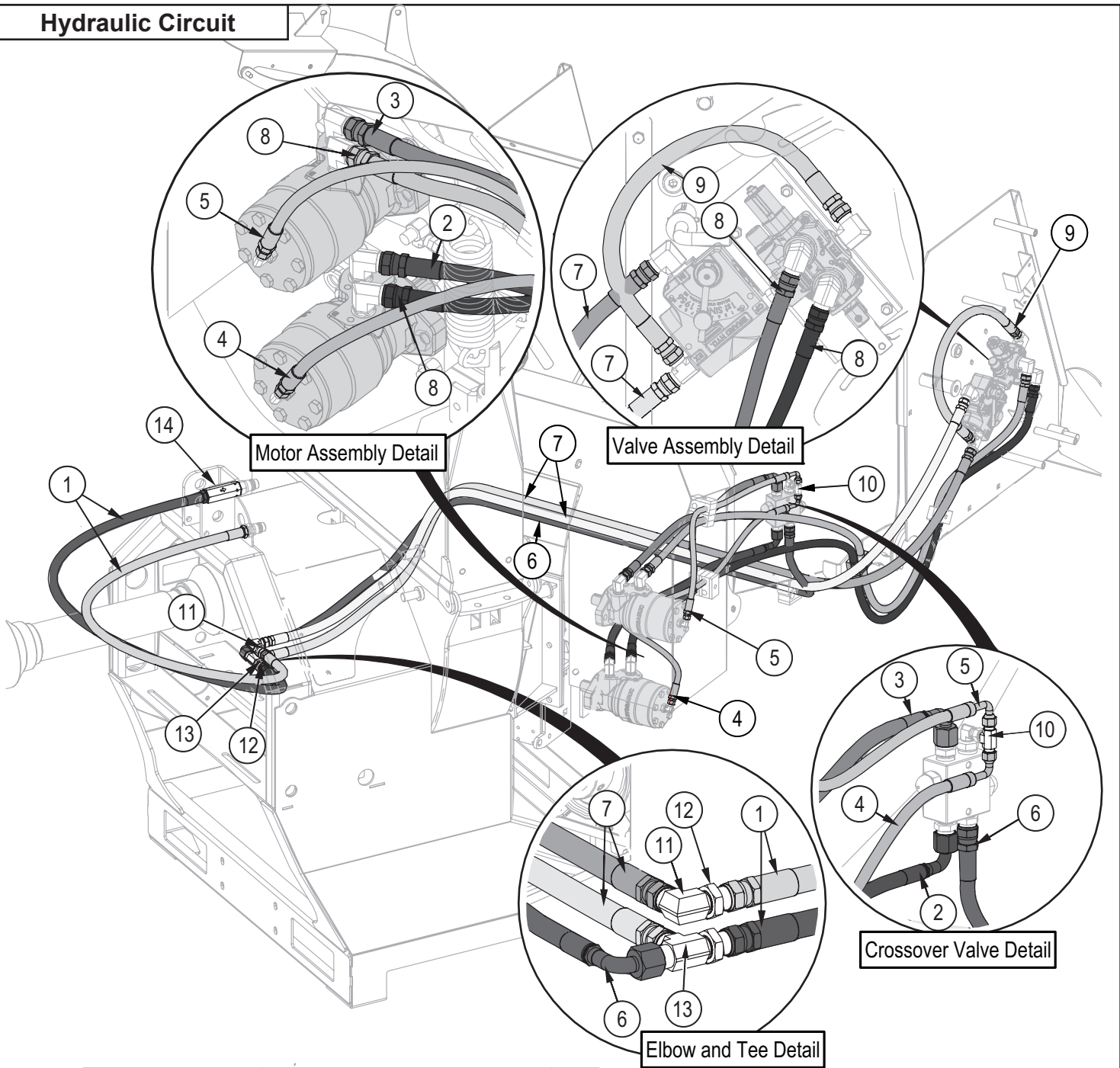


PTO Shaft – P/N Z44802

POS.	DESCRIPTION	Qty.	Part No.
01	YOKE	1	0800803A60
02	CROSS JOURNAL ASS.	2	08208
05	OUTER TUBE YOKE	1	08080021
08	FLEXIBLE PIN	1	098701075
12	CM. 100 CARDAN TUBE(*)	1	09881544100
13	CM. 100 CARDAN TUBE(*)	1	09881455100
16	FLEXIBLE PIN	1	098701065
17	INNER TUBE YOKE	1	08080011
21	SHEAR BOLT YOKE	1	08805A604633
25	CONE SHIELD BELL 07-08	2	021908C001
26	OUTER BEARING	1	025508C001
27	OUTER BASE CONE 07-08	1	025408C001
28	SCREW	8	0998052242
29	OUTER SAFETY TUBE	1	0988981NB8066
30	INNER SAFETY TUBE	1	0988975NB8066

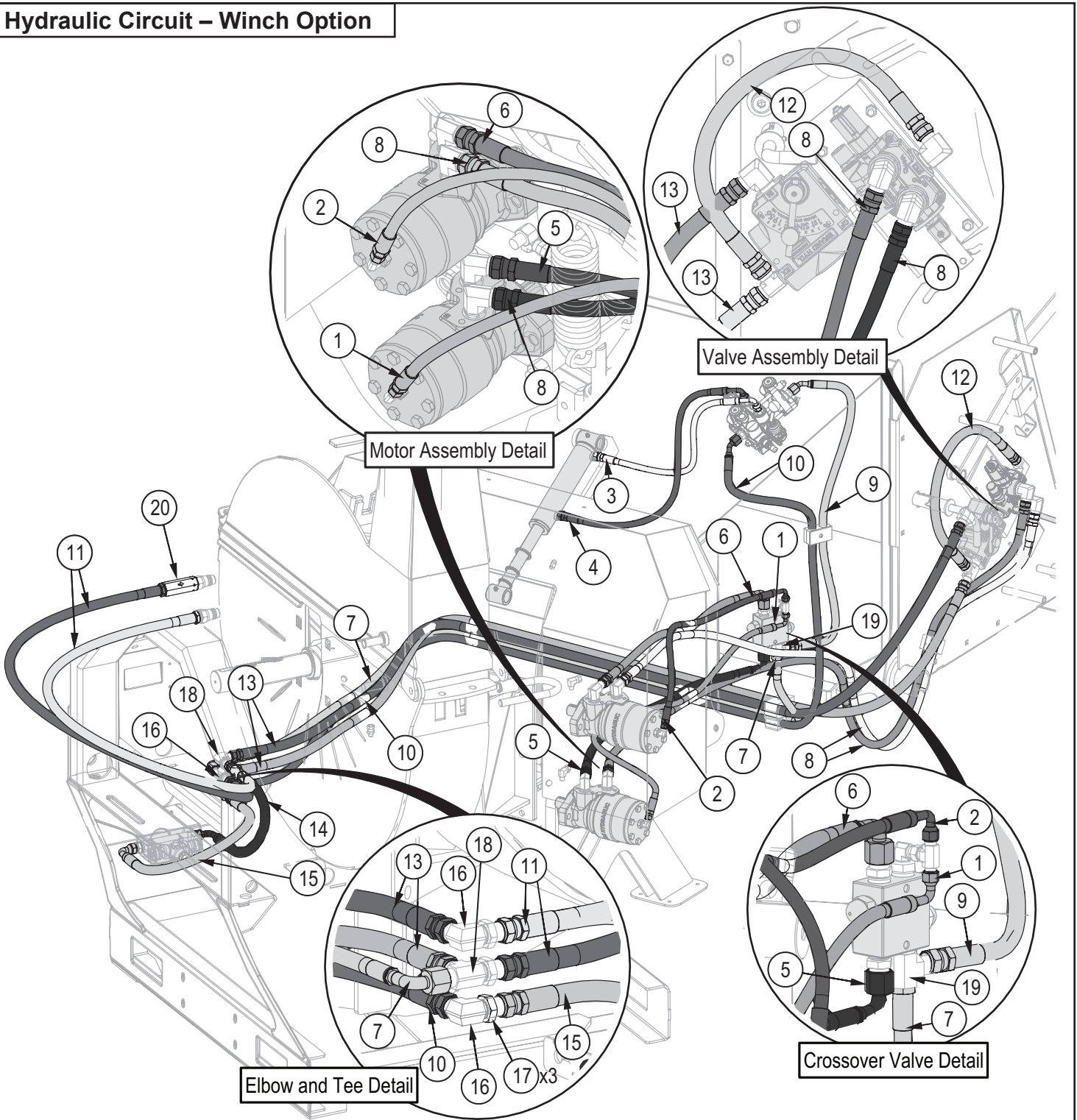
POS.	DESCRIPTION	Qty.	Part No.
31	INNER BASE CONE 07-08	1	025408C002
32	INNER BEARING	1	025508C002
40	CHAIN	1	0252000001
48	LABEL DANGER OUTER DRIVE TUBE	1	09872006
49	EXTERNAL SHIELD LABEL	1	09872003
51	COMPLETE PUSH BUTTTON	1	0986014060
71	YOKE FOR LB8	1	088608553
72	GREASE NIPPLE	1	0984010150
73	STEEL BALL	24	098680516
74	HUB	1	08868P70
75	CONIC SCREW	1	0408000061
76	SHEARBOLT AND NUT M12 x 1.75 x 65 10.9	1	Z19408 (Pack of 5)
93	OUTER HALF SHAFT	1	B8061US2
94	INNER HALF SHAFT	1	B8061US1098001
97	SAFETY GUARD	1	083US08061

Hydraulic Circuit



Item No.	Part No.	Description	Qty
1	1021F101	1/2" Hose, FJIC08 x MP08 x 84"	2
2	1021F102	3/8" Hose, FJIC08 x 90FJIC08 x 23"	1
3	1021F103	3/8" Hose, FJIC08 x 90FJIC08 x 21"	1
4	1021F104	1/4" Hose, FJIC04 x 90FJIC04 x 34"	1
5	1021F105	1/4" Hose, FJIC04 x 90FJIC04 x 26"	1
6	1021F108	3/8" Hose, FJIC08 x 90FJIC08 x 82"	1
7	1021F109	1/2" Hose, FJIC08 x FJIC08 x 96"	2
8	1021F110	3/8" Hose, FJIC08 x FJIC08 x 65"	2
9	1023F108	1/2" Hose, FJIC08 x FJIC08 x 22"	1
10	Z51488	Tee, MJIC x MJIC x MJIC 040404	1
11	Z51492	Elbow 90, MJIC x BH 0808	1
12	Z51493	BH Locknut, 08	2
13	Z51494	Tee, MJIC x BH x MJIC 080808	1
14	Z56102	Check Valve, FP08 x 0PSI	1

Hydraulic Circuit – Winch Option

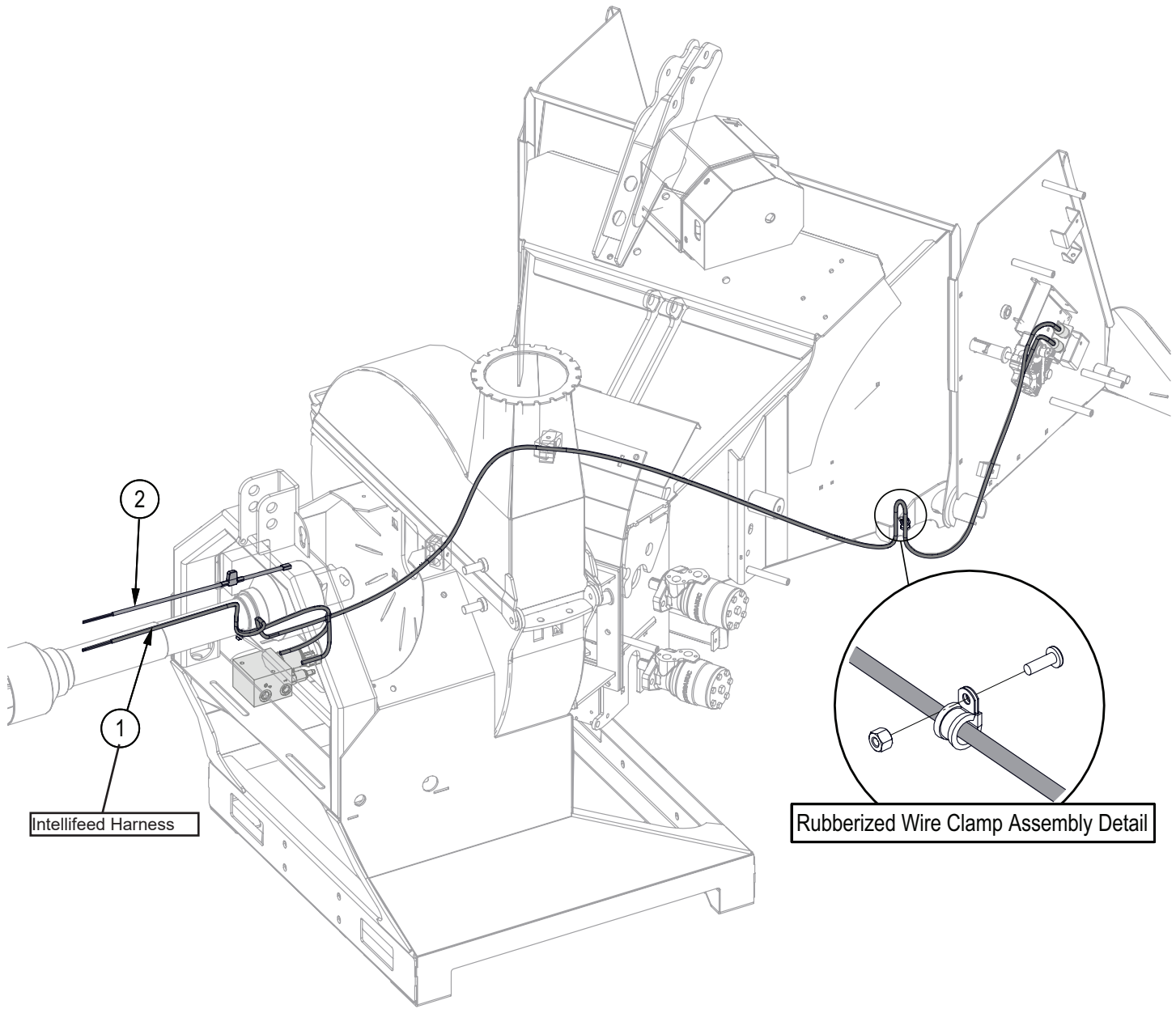


Item No.	Part No.	Description	Qty
1	Z52126	1/4 Hose, FJIC04 x 90FJIC04 x 34"	1
2	Z52127	1/4 Hose, FJIC04 x 90FJIC04 x 26"	1
3	Z52135	1/4 Hose, FJIC06 x 90FJIC06 x 18"	1
4	Z52136	1/4 Hose, FJIC06 x 90FJIC06 x 23"	1
5	Z52250	3/8 Hose, FJIC08 x 90FJIC08 x 23"	1
6	Z52251	3/8 Hose, FJIC08 x 90FJIC08 x 21"	1
7	Z52252	3/8 Hose, FJIC08 x 90FJIC08 x 82"	1
8	Z52253	3/8 Hose, FJIC08 x FJIC08 x 65"	2
9	Z52257	3/8 Hose, FJIC08 x 45FJIC06 x 30"	1
10	Z52258	3/8 Hose, FJIC08 x 45FJIC06 x 106"	1

Item No.	Part No.	Description	Qty
11	Z52308	1/2 Hose, MP08 x FJIC08 x 54"	2
12	Z52343	1/2 Hose, FJIC08 x FJIC08 x 22"	1
13	Z52344	1/2 Hose, FJIC	2
14	Z52345	1/2 Hose, FJIC08 x 90FJIC08 x 16"	1
15	Z52346	1/2 Hose, FJIC08 x 90FJIC08 x 20"	1
16	Z51492	Elbow 90 MJIC x BH 0808	2
17	Z51493	BH Locknut, 08	3
18	Z51494	Tee, MJIC x BH x MJIC 080808	1
19	Z51487	Tee MJIC x MP x MJIC 080808	1
20	Z56102	Check Valve, FP08 x 0PSI	1

IntelliFEED Wiring Harness – S/N 1102R215 to 1102R377

BXR102RI, BX102RPI



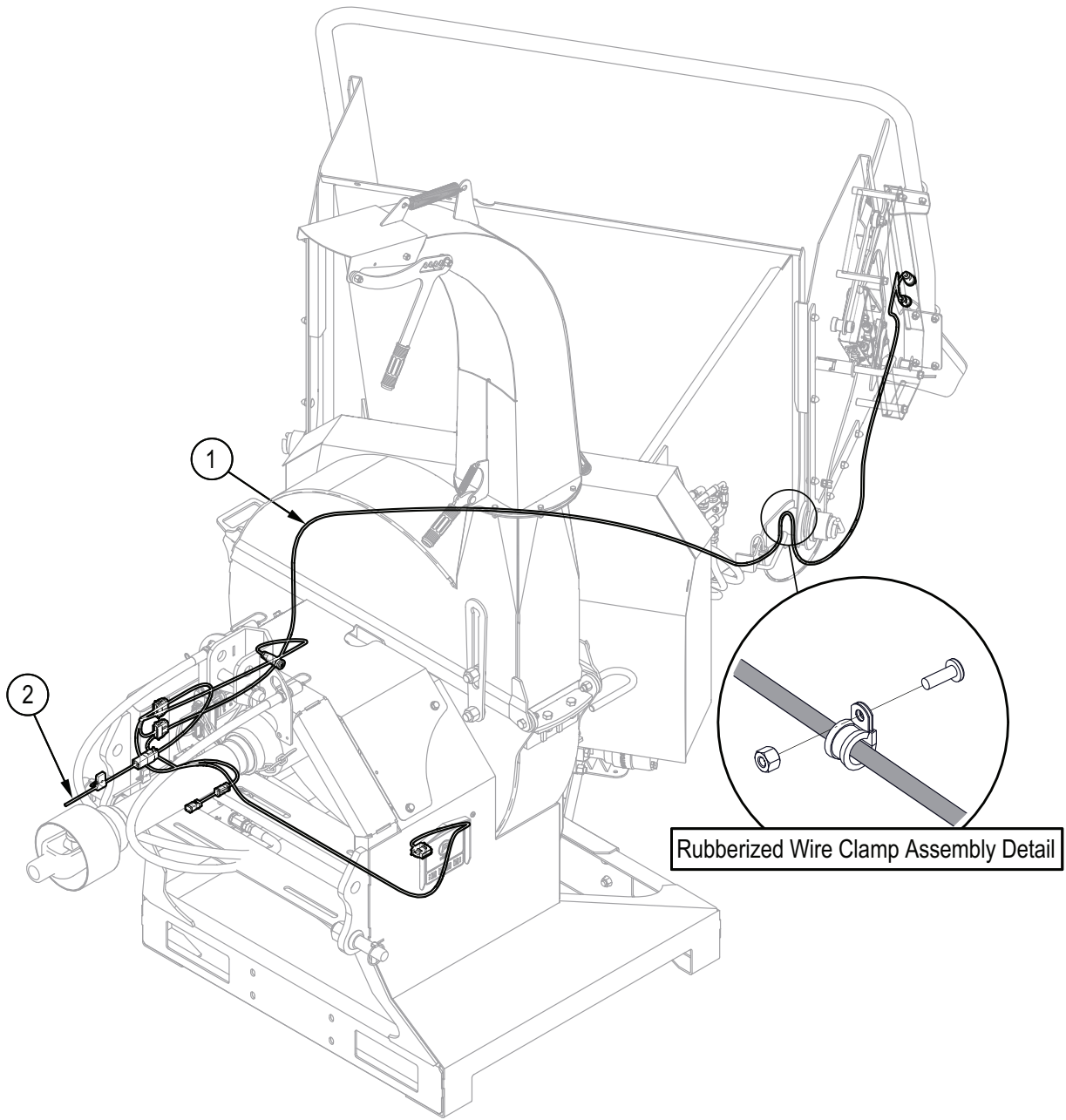
Intellifeed Harness

Rubberized Wire Clamp Assembly Detail

Item No.	Part No.	Description	Qty
1	1083F155	Harness Feed Logic	1
2	1083F156	Harness Feed Logic	1

P3 Wiring Harness – S/N 1102R378 & Up

BXR102RI, BX102RPI

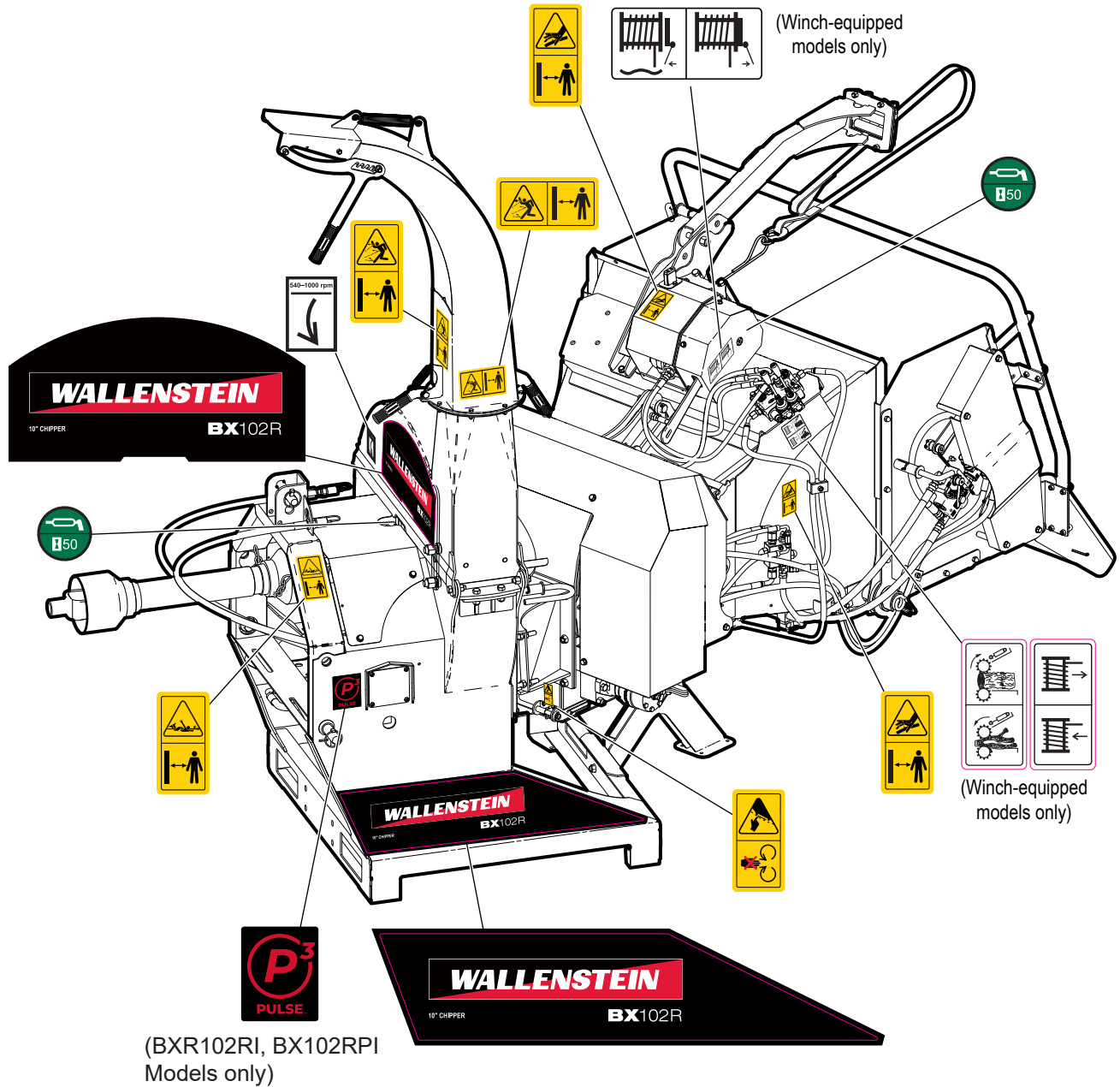


Item No.	Part No.	Description	Qty
1	1083F157	Harness, P3 Logic	1
2	1083F158	Harness, Feed Logic 6 Pin	1

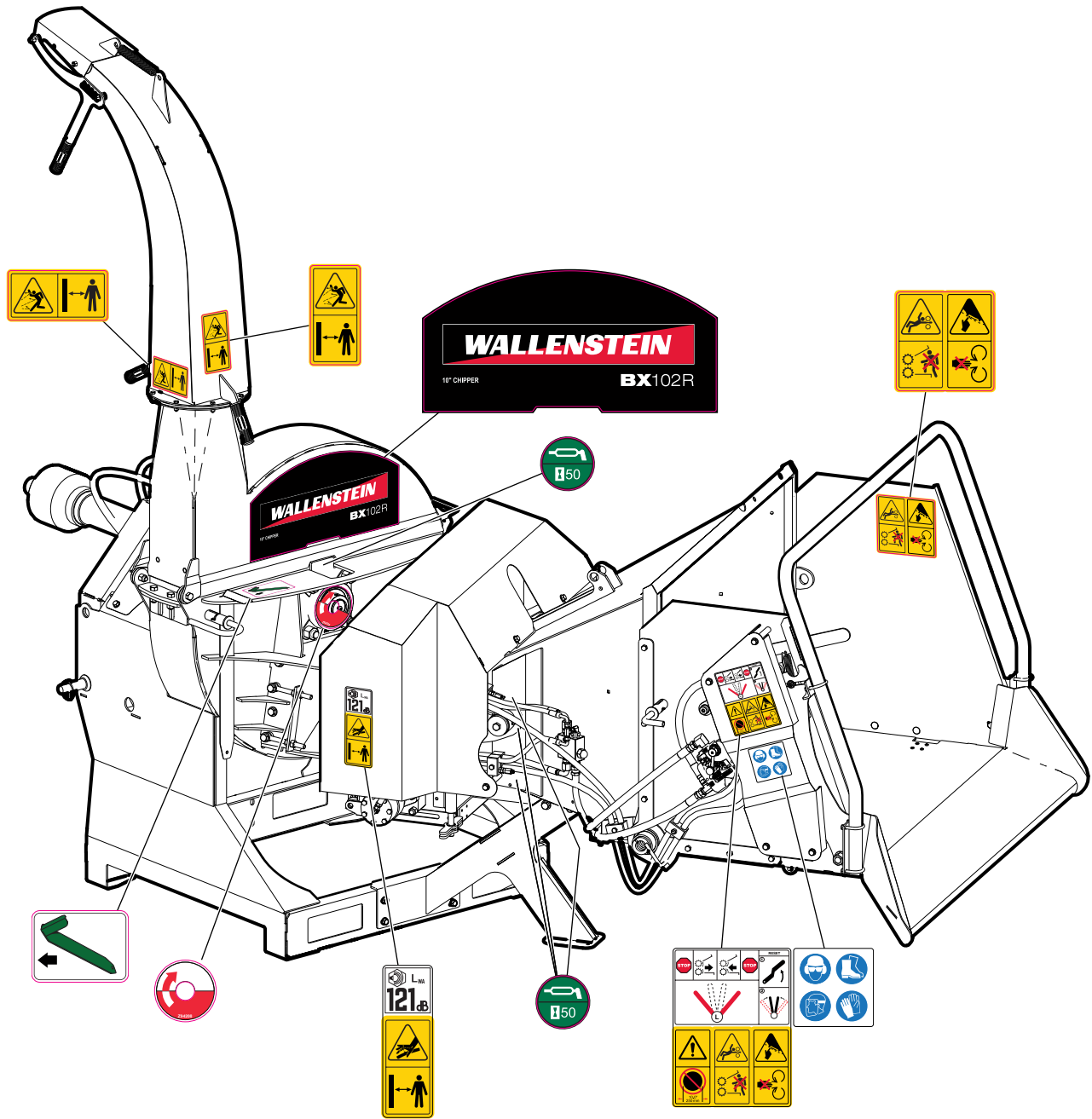
Decal Layout

IMPORTANT! If parts are replaced that have safety signs on them, new signs must be applied. Safety signs must always be replaced if they become damaged, are removed, or become illegible.

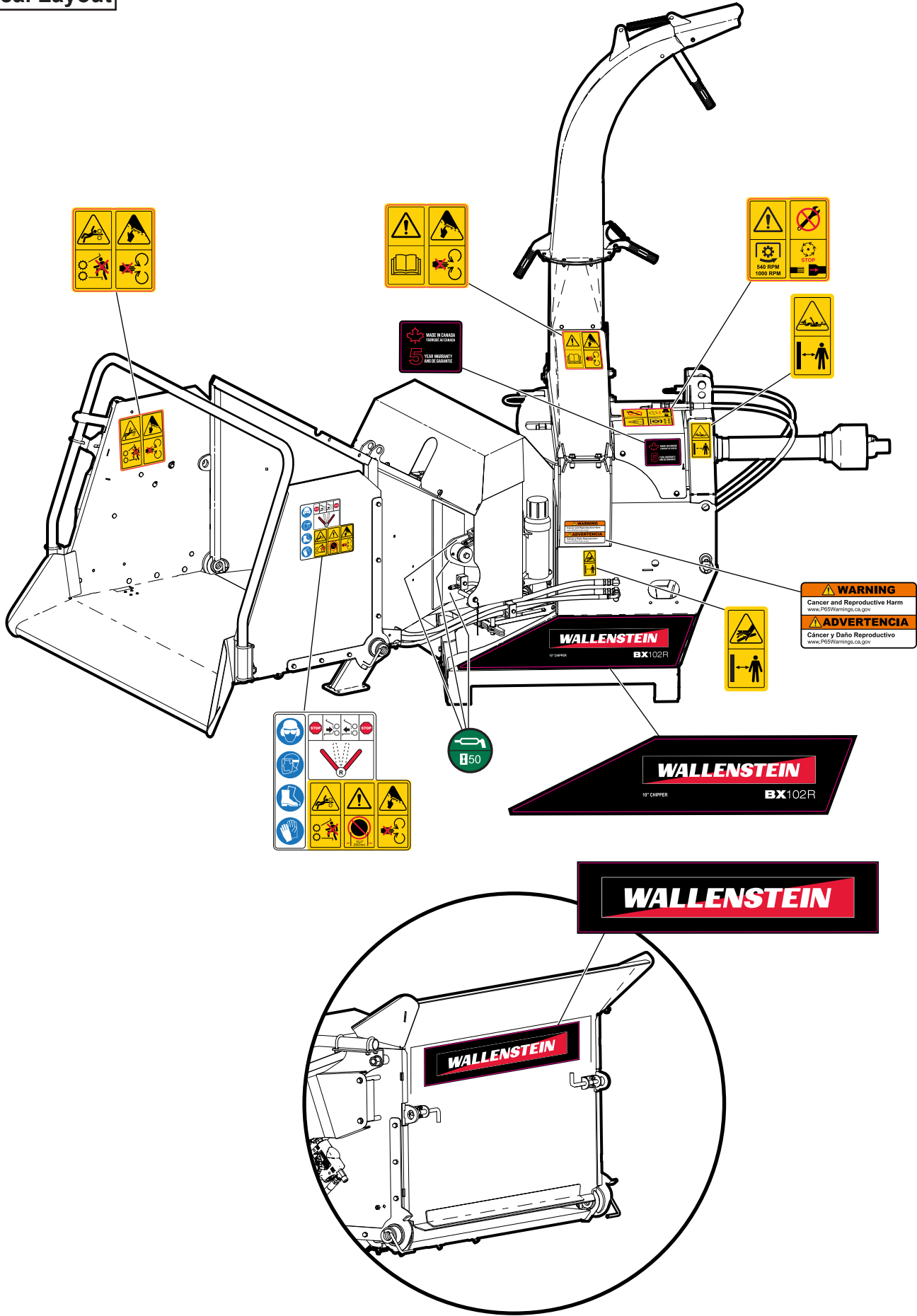
Safety signs are included in the product decal kit available from your authorized dealer. Decals are not available separately.

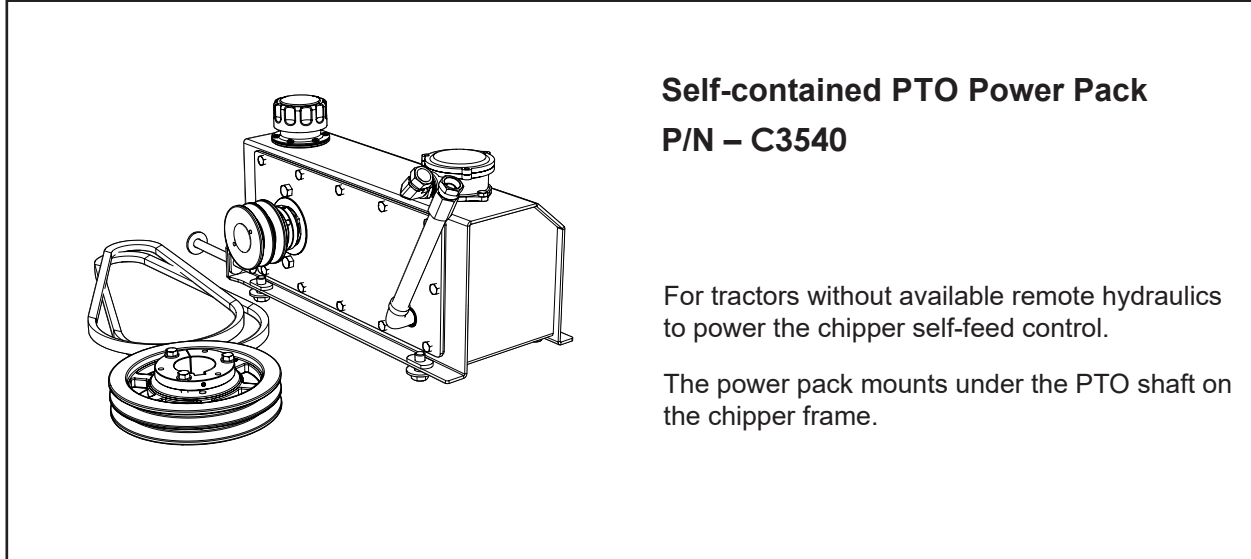


Decal Layout



Decal Layout



Accessories**Self-contained PTO Power Pack
P/N – C3540**

For tractors without available remote hydraulics to power the chipper self-feed control.

The power pack mounts under the PTO shaft on the chipper frame.

Call your dealer for pricing and availability


Common Bolt Torque Values

Checking Bolt Torque

The tables shown give correct torque values for various bolts and capscrews. Tighten all bolts to the torque values specified in the table, unless indicated otherwise. Check tightness of bolts periodically.

IMPORTANT! If replacing hardware, use fasteners of the same grade.

IMPORTANT! Torque figures indicated in the table are for non-greased or non-oiled threads. Do not grease or oil threads unless indicated otherwise. When using a thread locker, increase torque values by 5%.

 **NOTE:** Bolt grades are identified by their head markings.

Imperial Bolt Torque Specifications

Bolt Diameter	Torque Value					
	SAE Gr. 2		SAE Gr. 5		SAE Gr. 8	
	lbf•ft	N•m	lbf•ft	N•m	lbf•ft	N•m
1/4"	6	8	9	12	12	17
5/16"	10	13	19	25	27	36
3/8"	20	27	33	45	45	63
7/16"	30	41	53	72	75	100
1/2"	45	61	80	110	115	155
9/16"	60	95	115	155	165	220
5/8"	95	128	160	215	220	305
3/4"	165	225	290	390	400	540
7/8"	170	230	420	570	650	880
1"	225	345	630	850	970	1320



SAE Gr. 2



SAE Gr. 5



SAE Gr. 8

Metric Bolt Torque Specifications

Bolt Diameter	Torque Value			
	Gr. 8.8		Gr. 10.9	
	lbf•ft	N•m	lbf•ft	N•m
M3	0.4	0.5	1.3	1.8
M4	2.2	3	3.3	4.5
M6	7	10	11	15
M8	18	25	26	35
M10	37	50	52	70
M12	66	90	92	125
M14	83	112	116	158
M16	166	225	229	310
M20	321	435	450	610
M30	1,103	1 495	1,550	2 100



8.8



10.9

Hydraulic Fitting Torque Values

Tightening Flare Type Tube Fittings

1. Check flare and flare seat for defects that might cause leakage.
2. Align tube with fitting before tightening.
3. Hand-tighten swivel nut until snug.
4. To prevent twisting the tube, use two wrenches. Place one wrench on the connector body and tighten the swivel nut with the second. Torque to values shown.

If a torque wrench is not available, use the FFFT (Flats From Finger Tight) method.

Hydraulic Fitting Torque					
Tube Size OD	Hex Size Across Flats	Torque value		Flats From Finger Tight	
		lbf•ft	N•m	Flats	Turns
3/16	7/16	6	8	2	1/6
1/4	9/16	11–12	15–17	2	1/6
5/16	5/8	14–16	19–22	2	1/6
3/8	11/16	20–22	27–30	1-1/4	1/6
1/2	7/8	44–48	59–65	1	1/6
5/8	1	50–58	68–79	1	1/6
3/4	1-1/4	79–88	107–119	1	1/8
1	1-5/8	117–125	158–170	1	1/8

Values shown are for non-lubricated connections.