



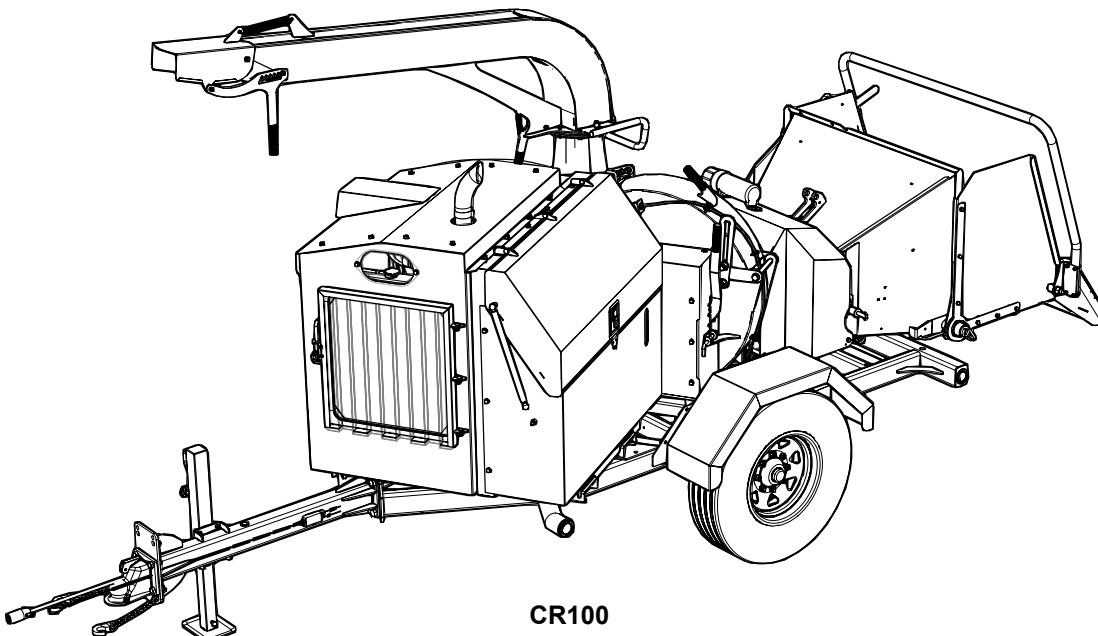
EMB Manufacturing Inc.
4144 Boomer Line · St. Clements, On · N0B 2M0 · Canada
Ph: (519) 699-9283 · Fax: (519) 699-4146
www.embmfg.com

CR100 Trailer

Chipper Parts Manual

S/N 2E9US1114E010013 - 2E9US1113FS010021

**MODELS CR100, CR100B,
CR100H, CR100HW,
CR100BH, CR100BHW**



Refer to the operators
manual for safe
operation and
maintenance

Table of Contents

CR100 Variation Chart.....	3	Bypass Valve Detail.....	20
Frame Detail - Tongue & Jack.....	4	Hopper Front/ Bottom View	21
Frame Detail - Front.....	5	Upper Roller.....	22
Frame Detail - Rear	6	Plunger Assembly Detail.....	23
Frame & Fender Detail	7	Upper Roller Parts List	23
Axle Ass'y	8	Lower Roller	24
Hub Assembly.....	8	Hopper Roller Shrouding.....	25
Brake Assembly.....	8	Feed Table	26
Engine Carriage.....	9	Feed Roller Control Detail.....	27
Engine	9	Winch	28
Engine Parts.....	9	Winch Drum Detail	29
Engine Compartment Shroud.....	10	Winch Arm Ass'y	29
Engine Compartment Door	10	Fairlead Ass'y Detail	30
Radiator Shroud & Screen Door	11	Roller Lift Hydraulic Cylinder	30
Tank Compartment Shroud	11	Cylinder Seal Installation	31
Battery Fuel & Hydraulic Tanks.....	12	Roller Lift Hydraulic Cylinder Detail.....	31
Tank Compartment Tool Tray Detail	13	Intellifeed Manifold Ass'y.....	32
Battery Fuel & Hydraulic Tanks.....	13	Winch and Roller Lift Hydraulic Controls ...	32
Control Panel	14	Intellifeed Wiring Harness &	33
Tank Compartment Lid	14	Lights and Brakes Wiring Harness	33
Discharge Chute	15	Intellifeed Wiring Diagram #Z62108.....	34
Rotor Housing Rear	16	Hydraulic Hose Parts List	35
Rotor Housing Front	16	Hydraulic Schematic CR100.....	36
Rotor Interlock Latch	17	Hydraulic Schematic CR100P.....	37
Rotor Interlock Clutch	17	Label Layout - List.....	38
Rotor Assembly	18	Label Layout - Left Side.....	39
Pulley Shroud	19	Label Layout - Right Side	40
Hopper Top / Back View.....	20	Accessories.....	41

Foreword

EMB Mfg. has prepared this parts manual to assist customers in ordering quality OEM replacement parts.

Proper and regular service and replacing old, worn or broken parts with the correct OEM parts are essential to prolonging the life of your EMB product. Please refer to this manual before ordering any replacement parts.

All information contained in this parts manual is based on the latest product specification available at the time of printing this manual. If your product differs from the specifications contained within this manual contact EMB Mfg. for information.

EMB reserves the right to alter specifications on their products at any time.

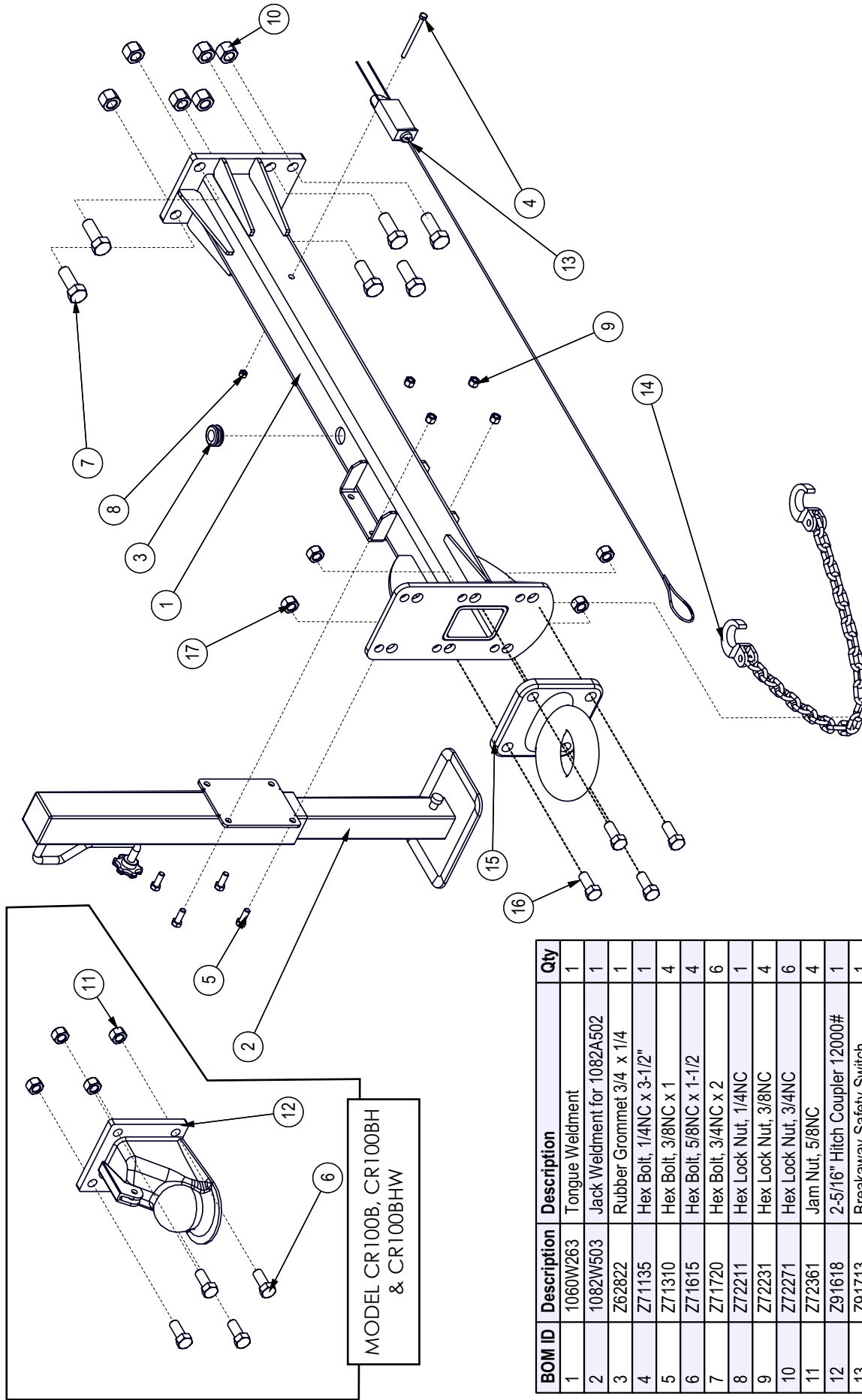
Reproduction of this parts manual of any kind is prohibited without prior written permission from EMB Mfg.

For parts and information please contact your dealer. If your dealer is no longer available please go to our website: <http://www.wallensteincr.com> and click on "Contact" for more information.

CR100 Variation Chart

CR Option Cross Reference		Option				
		Hydraulic Winch	Hydraulic Roller Lift	3.0" Eye Pintle	2 5/16 Hitch Coupler	Revision Level
M o d e l	CR100			X		D
	CR100B	X	X		X	A
	CR100H		X	X		A
	CR100HW	X	X	X		A
	CR100BH		X		X	A
	CR100BHW	X	X		X	A

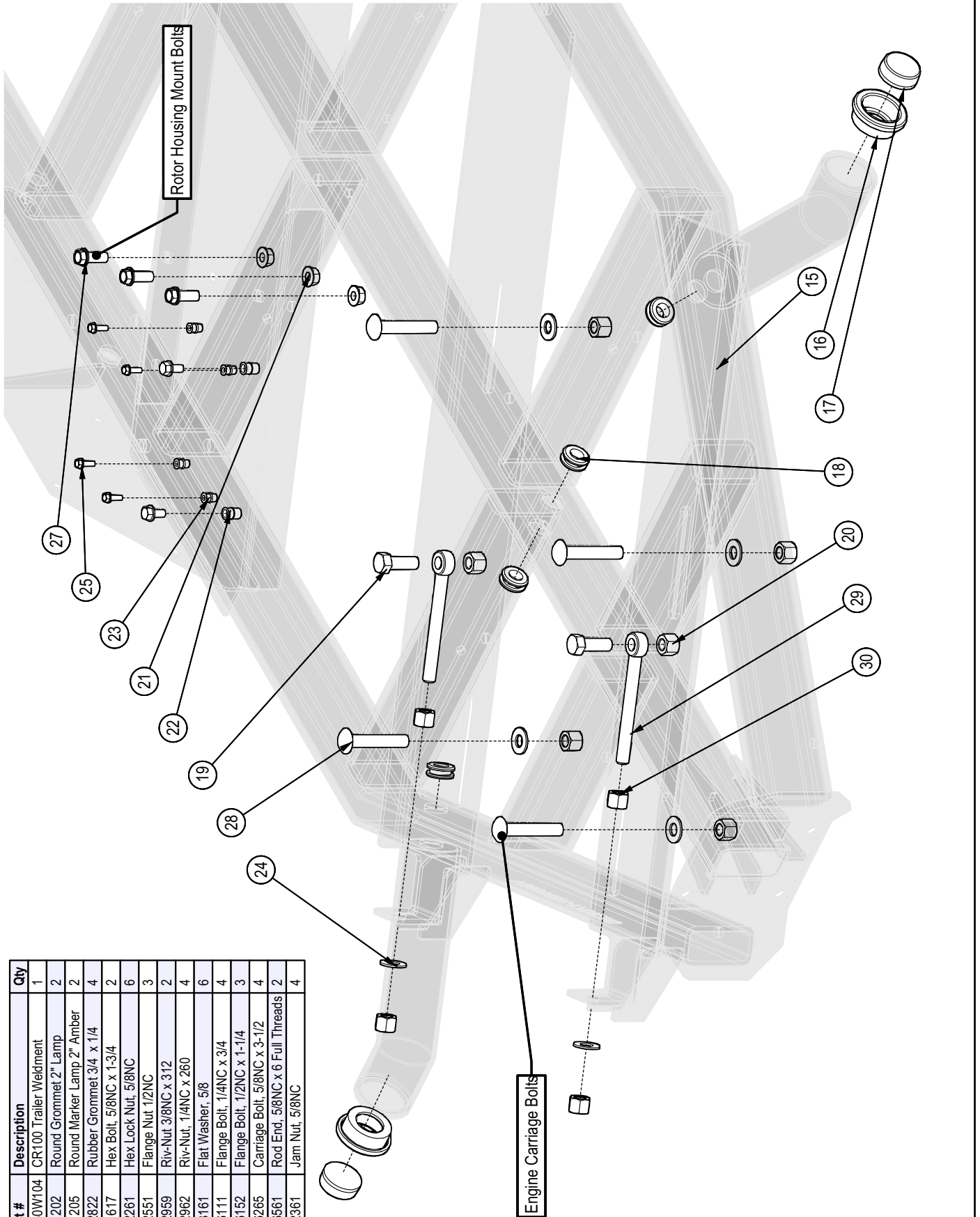
Frame Detail - Tongue & Jack



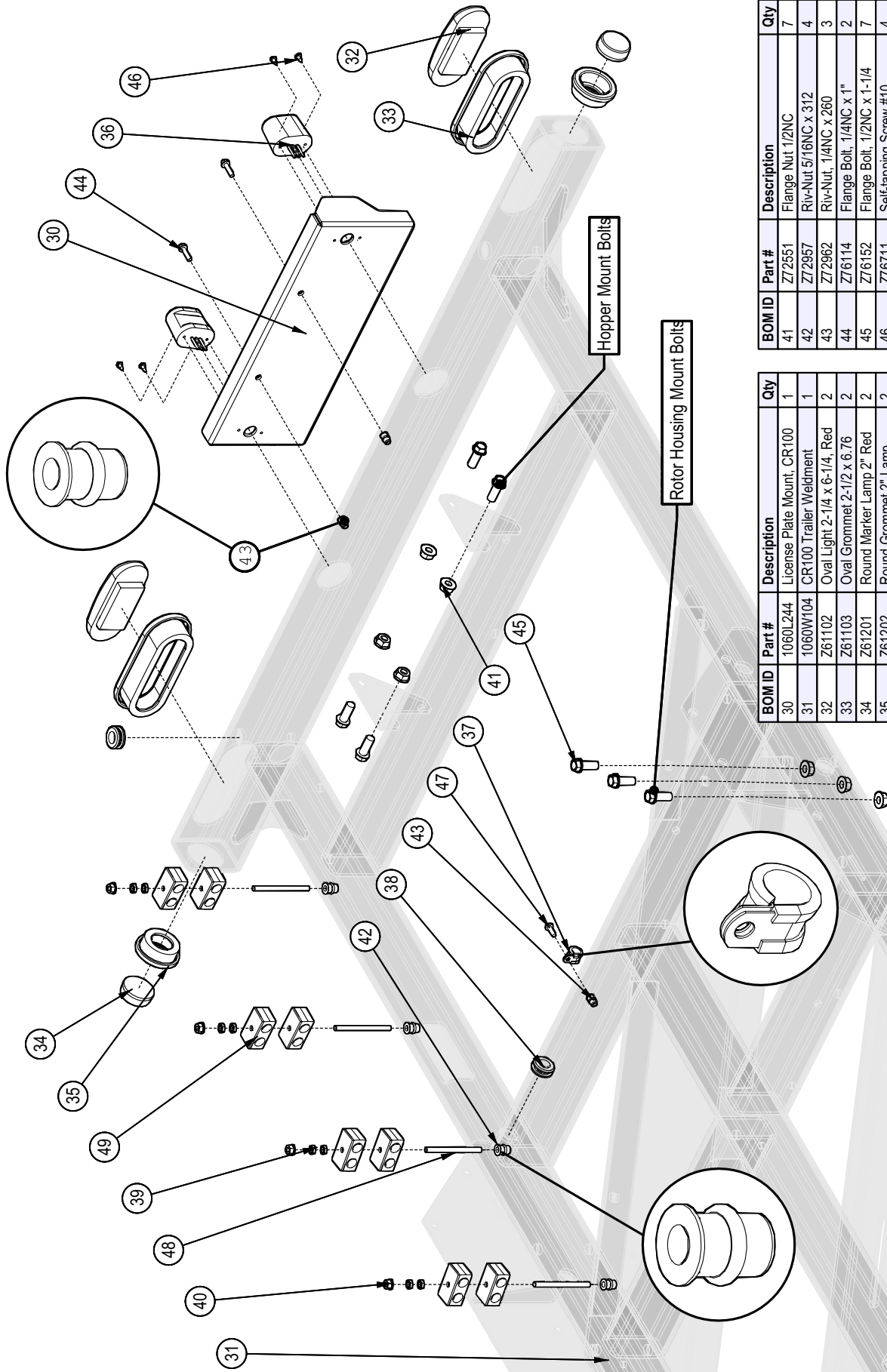
BOM ID	Description	Description	Qty
1	1060W263	Tongue Weldment	1
2	1082W503	Jack Weldment for 1082A502	1
3	Z62822	Rubber Grommet 3/4 x 1/4	1
4	Z71135	Hex Bolt, 1/4NC x 3-1/2"	1
5	Z71310	Hex Bolt, 3/8NC x 1	4
6	Z71615	Hex Bolt, 5/8NC x 1-1/2	4
7	Z71720	Hex Bolt, 3/4NC x 2	6
8	Z72211	Hex Lock Nut, 1/4NC	1
9	Z72231	Hex Lock Nut, 3/8NC	4
10	Z72271	Hex Lock Nut, 3/4NC	6
11	Z72361	Jam Nut, 5/8NC	4
12	Z91618	2-5/16" Hitch Coupler 12000#	1
13	Z91713	Breakaway Safety Switch	1
14	Z92309	Heavy Duty Safety Chain 1/4" x 5'	1
15	Z91621	Pinfile, 3" Eye x 15000lbs	1
16	Z71725	Hex Bolt, 3/4NC x 2-1/2"	4
17	Z72271	Hex Lock Nut, 3/4NC	4

Frame Detail - Front

BOM ID	Part #	Description	Qty
15	1060W104	CR100 Trailer Weldment	1
16	Z61202	Round Grommet 2" Lamp	2
17	Z61205	Round Marker Lamp 2" Amber	2
18	Z62822	Rubber Grommet 3/4 x 1/4	4
19	Z71617	Hex Bolt, 5/8NC x 1-3/4	2
20	Z72261	Hex Lock Nut, 5/8NC	6
21	Z72551	Flange Nut, 1/2NC	3
22	Z72959	Riv-Nut 3/8NC x 3/2	2
23	Z72962	Riv-Nut, 1/4NC x 260	4
24	Z73161	Flat Washer, 5/8	6
25	Z76111	Flange Bolt, 1/4NC x 3/4	4
27	Z76152	Flange Bolt, 1/2NC x 1-1/4	3
28	Z76265	Carriage Bolt, 5/8NC x 3-1/2	4
29	Z76561	Rod End, 5/8NC x 6 Full Threads	2
30	Z72361	Jam Nut, 5/8NC	4



Frame Detail - Rear

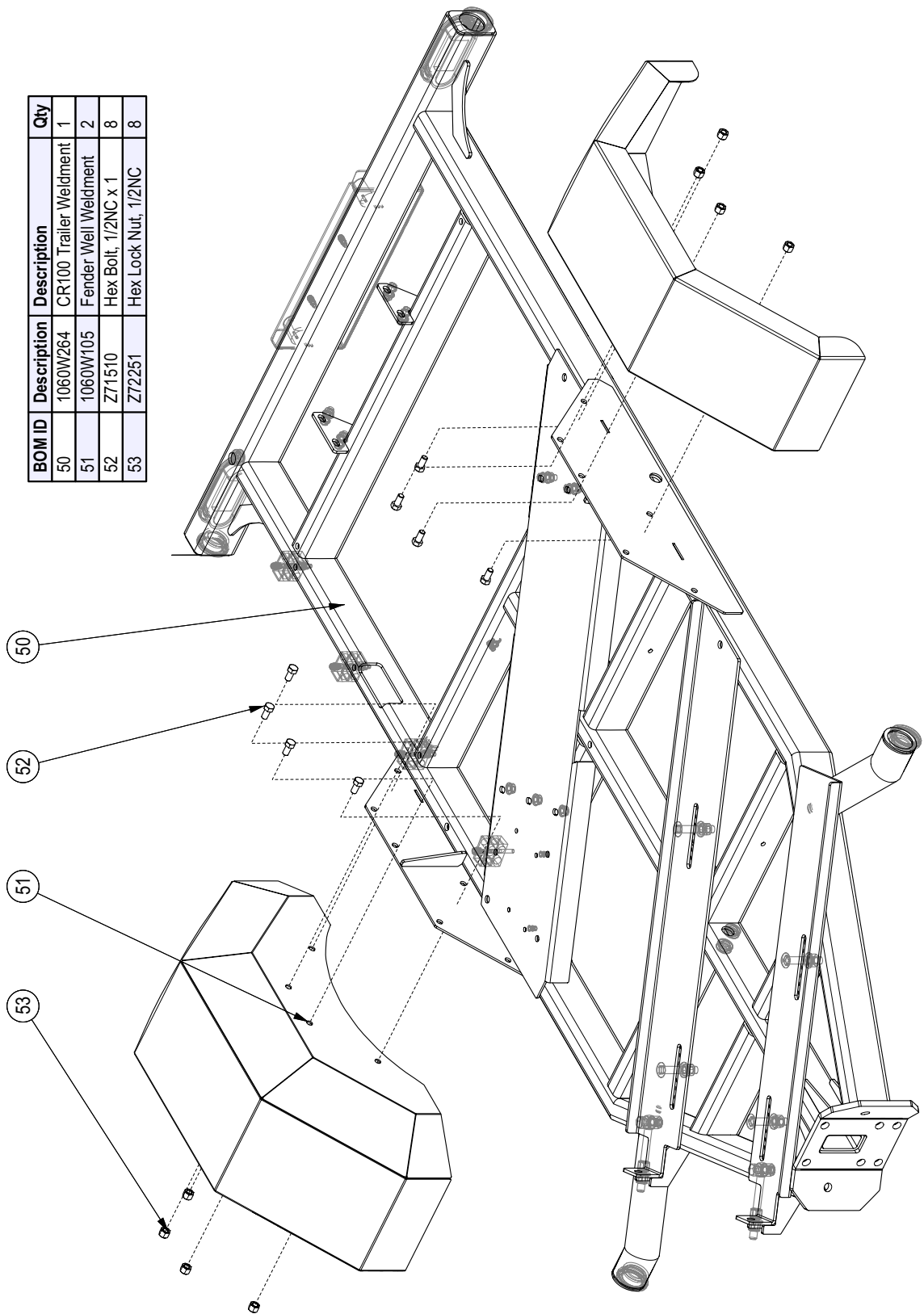


BOM ID	Part #	Description	Qty
41	Z72551	Flange Nut 1/2NC	7
42	Z72957	Riv-Nut 5/16NC x 312	4
43	Z72962	Riv-Nut 1/4NC x 260	3
44	Z76114	Flange Bolt 1/4NC x 1"	2
45	Z76152	Flange Bolt 1/2NC x 1-1/4	7
46	Z76711	Self-tapping Screw #10	4
47	Z79301	Machine Screw 1/4-20NC x 3/4	1
48	Z79141	Threaded Stud 5/16NC x 4"	4
49	Z79463	Double Hose Clamp 11/16"	8

BOM ID	Part #	Description	Qty
30	1060L244	License Plate Mount, CR100	1
31	1060W104	CR100 Trailer Weldment	1
32	Z61102	Oval Light 2-1/4 x 6-1/4, Red	2
33	Z61103	Oval Grommet 2-1/2 x 6.76	2
34	Z61201	Round Marker Lamp 2" Red	2
35	Z61202	Round Grommet 2" Lamp	2
36	Z61301	License Lamp	2
37	Z62819	Rubberized Wire Clamp, 1/2"	1
38	Z62822	Rubber Grommet 3/4 x 1/4	2
39	Z72321	Jam Nut, 5/16NC	8
40	Z72521	Flange Nut, 5/16NC	4

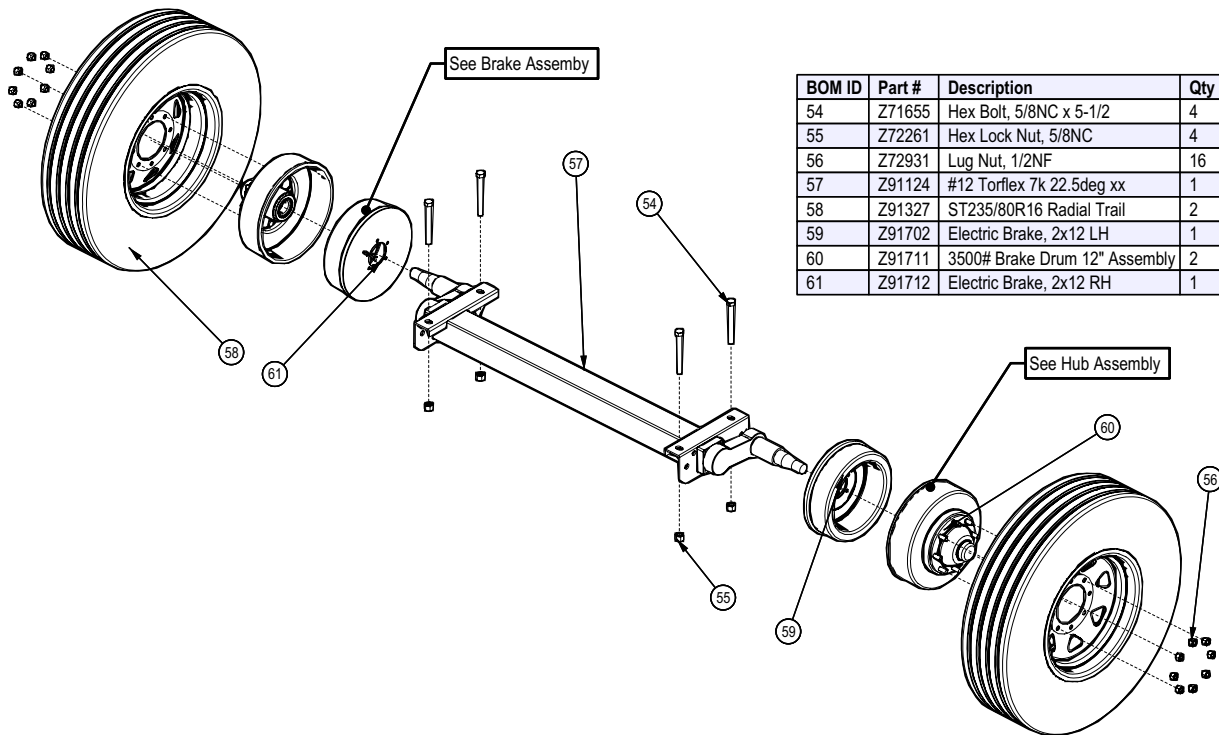
MODELS CR100, CR100P

BOM ID	Description	Description	Qty
50	1060W264	CR100 Trailer Weldment	1
51	1060W105	Fender Well Weldment	2
52	Z71510	Hex Bolt, 1/2NC x 1	8
53	Z72251	Hex Lock Nut, 1/2NC	8



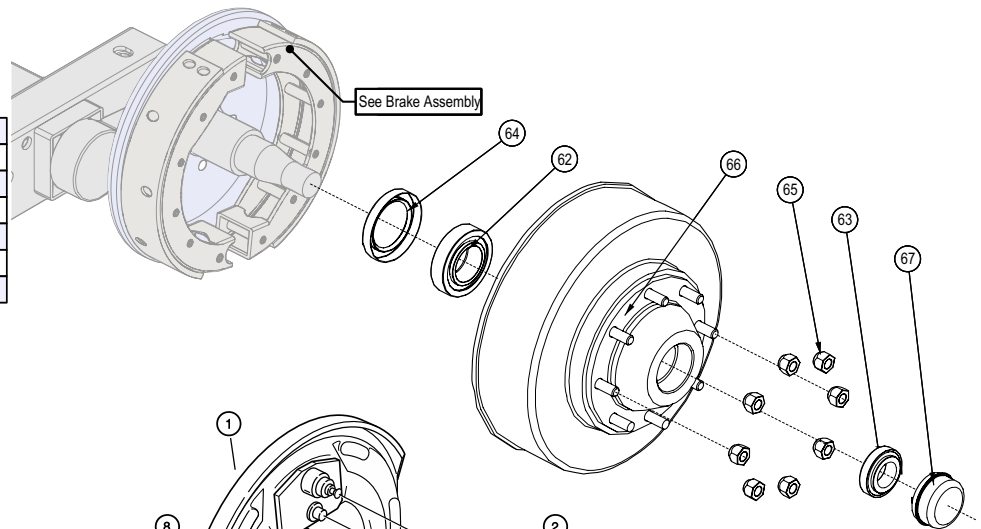
Frame & Fender Detail

Axle Ass'y



BOM ID	Part #	Description	Qty
54	Z71655	Hex Bolt, 5/8NC x 5-1/2	4
55	Z72261	Hex Lock Nut, 5/8NC	4
56	Z72931	Lug Nut, 1/2NF	16
57	Z91124	#12 Torflex 7k 22.5deg xx	1
58	Z91327	ST235/80R16 Radial Trail	2
59	Z91702	Electric Brake, 2x12 LH	1
60	Z91711	3500# Brake Drum 12" Assembly	2
61	Z91712	Electric Brake, 2x12 RH	1

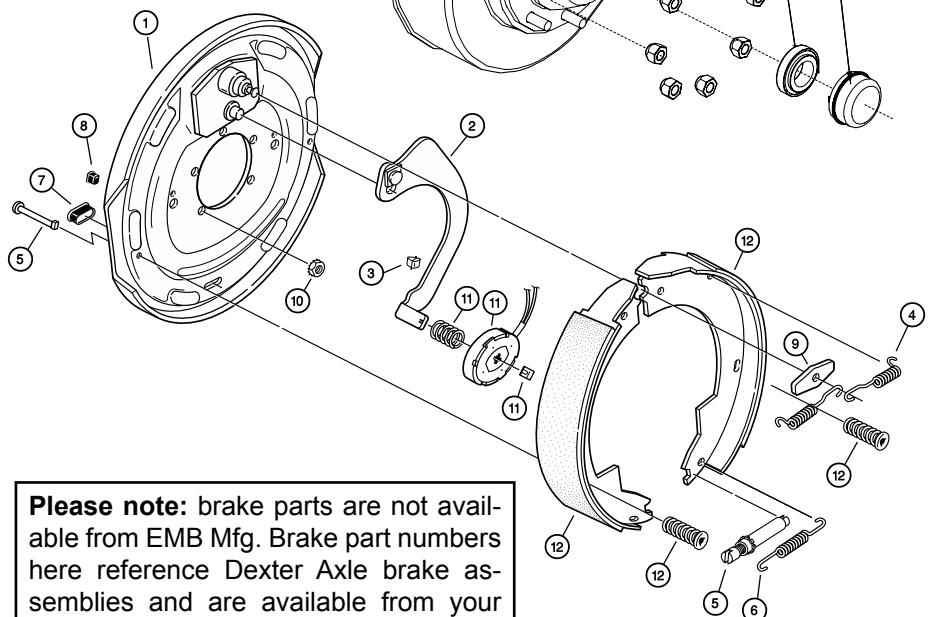
Hub Assembly



BOM ID	Part #	Description	Qty
62	Z23206	25580 Cone and 25520 Cup	1
63	Z23207	LM67048 Cone and LM67010 Cup	1
64	Z28203	Seal, Single Lip	1
65	Z72931	Lug Nut, 1/2NF	8
66	Z91710	3500# Brake Drum 12" 8 on 6-1/2 Bolts	1
67	Z91806	Dust Cap 2.33 Bore	1

Brake Assembly

Item	Part No.	Description	Qty
	Z91702	LH Complete Brake Assembly	1
	Z91712	RH Complete Brake Assembly (shown)	1
1	036-089-05	Backing Plate Assembly	1
2	047-107-05	LH Actuating Lever Arm Assembly	1
2	047-108-05	RH Actuating Lever Arm Assembly	1
3	027-005-00	Wire Clip	2
4	046-009-00	Retractor Spring	2
5	043-004-00	Adjuster Assembly	1
6	046-018-00	Adjusting Screw Spring	1
7	046-007-00	Adjuster Slot Plug	2
8	046-016-00	Wire Grommet	1
9	005-067-00	Anchor Post Washer	1
10	006-193-00	Nut Washer Assembly	5
11	K71-105-00	Magnet Kit Contains:	1
		Magnet (white wire)	1
		Magnet Clip	1
		Magnet Spring	1
12	K71-048-00	Shoe & Lining Kit Contains:	1
		Primary Shoe & Lining	1
		Secondary Shoe & Lining	1
		Shoe Hold Down Pin #2	2
		Shoe Hold Down Spring & Cup	2

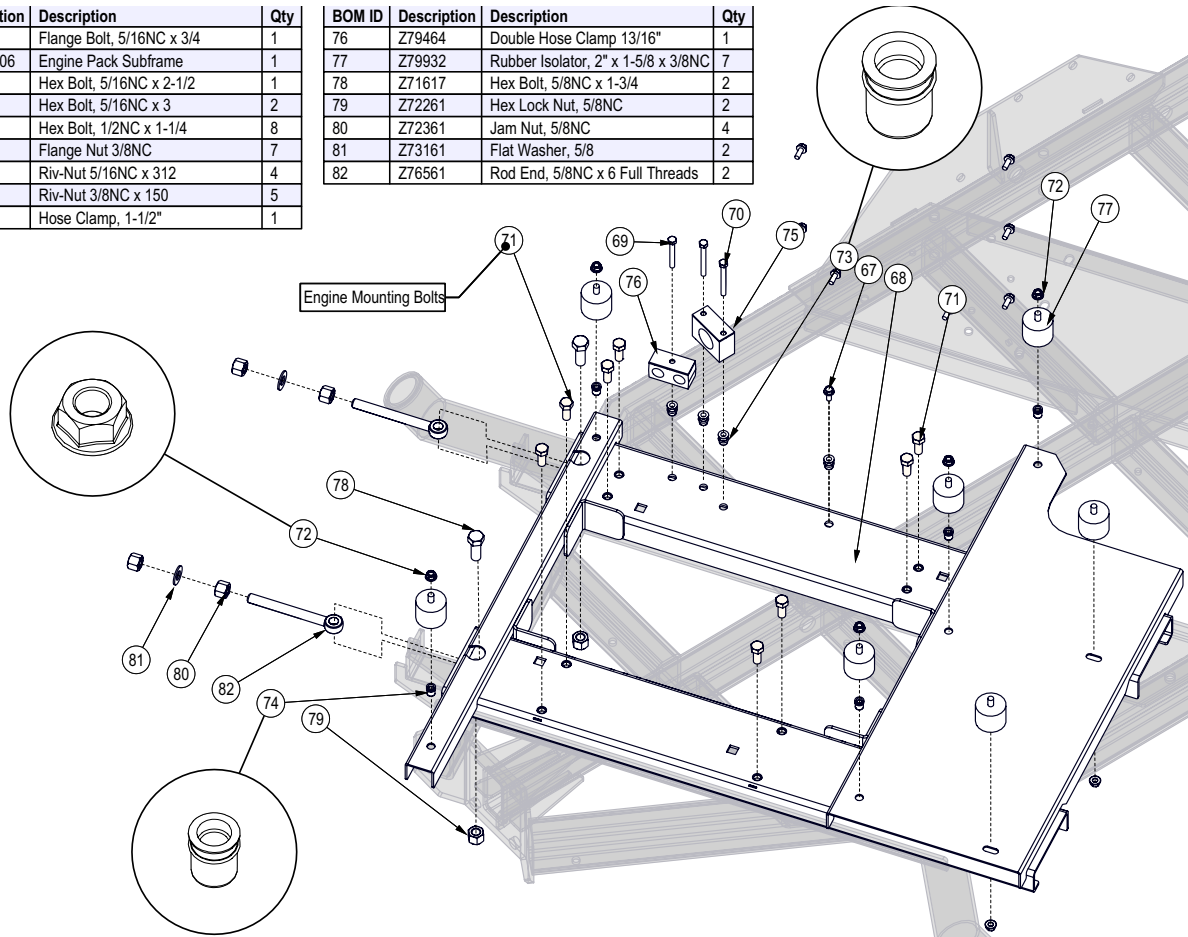


Please note: brake parts are not available from EMB Mfg. Brake part numbers here reference Dexter Axle brake assemblies and are available from your local auto parts dealer. All brake repair and maintenance should be done by a qualified mechanic.

Engine Carriage

BOM ID	Description	Description	Qty
67	Z76121	Flange Bolt, 5/16NC x 3/4	1
68	1060W106	Engine Pack Subframe	1
69	Z71225	Hex Bolt, 5/16NC x 2-1/2	1
70	Z71230	Hex Bolt, 5/16NC x 3	2
71	Z71512	Hex Bolt, 1/2NC x 1-1/4	8
72	Z72531	Flange Nut 3/8NC	7
73	Z72957	Riv-Nut 5/16NC x 312	4
74	Z72958	Riv-Nut 3/8NC x 150	5
75	Z79457	Hose Clamp, 1-1/2"	1

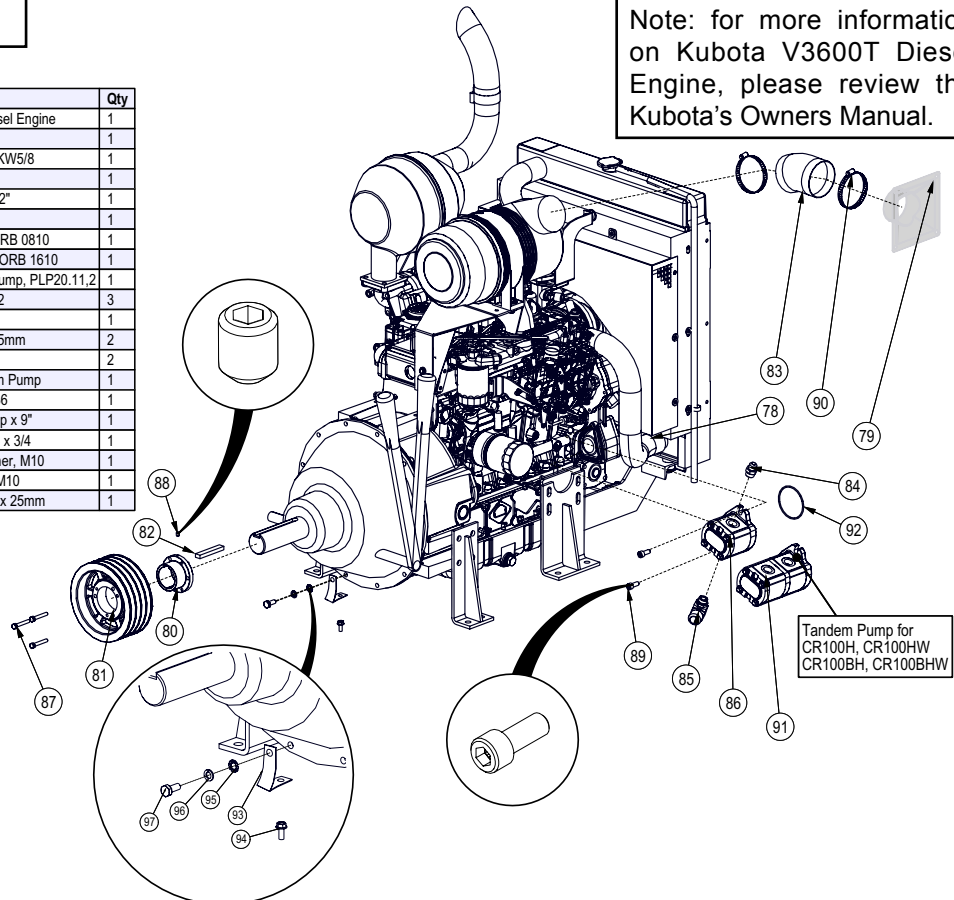
BOM ID	Description	Description	Qty
76	Z79464	Double Hose Clamp 13/16"	1
77	Z79932	Rubber Isolator, 2" x 1-5/8 x 3/8NC	7
78	Z71617	Hex Bolt, 5/8NC x 1-3/4	2
79	Z72261	Hex Lock Nut, 5/8NC	2
80	Z72361	Jam Nut, 5/8NC	4
81	Z73161	Flat Washer, 5/8	2
82	Z76561	Rod End, 5/8NC x 6 Full Threads	2



Engine

BOM ID	Description	Description	Qty
78	Z47608	Kubota V3600T Diesel Engine	1
79	1060W132	Air Intake Clamp	1
80	Z41520	Bushing, SK 2-1/4" KW5/8	1
81	Z41771	Sheave, 4B80	1
82	Z46598	Key, 3/8 x 5/8 x 3-1/2"	1
83	Z47908	Air Duct, 3-3/4" x 6"	1
84	Z51647	Straight, MJIC x MORB 0810	1
85	Z51659	Elbow 90, MJIC x MORB 1610	1
86	Z53115	Spline Shaft Gear Pump, PLP20.11.2	1
87	Z71220	Hex Bolt, 5/16NC x 2	3
88	Z74121	Set Screw, 5/16NC	1
89	Z77562	SHCS, M10x1.25x25mm	2
90	Z79406	Hose Clamp, #60	2
91	Z53116	Spline Shaft Tandem Pump	1
92	Z55801	O-Ring, Buna-N #236	1
93	Z62713	Copper Ground Strap x 9"	1
94	Z76121	Flange Bolt, 5/16NC x 3/4	1
95	Z77362	Int - Ext Tooth Washer, M10	1
96	Z77363	Split Lock Washer, M10	1
97	Z77663	Hex Bolt, M10x1.25 x 25mm	1

Note: for more information on Kubota V3600T Diesel Engine, please review the Kubota's Owners Manual.

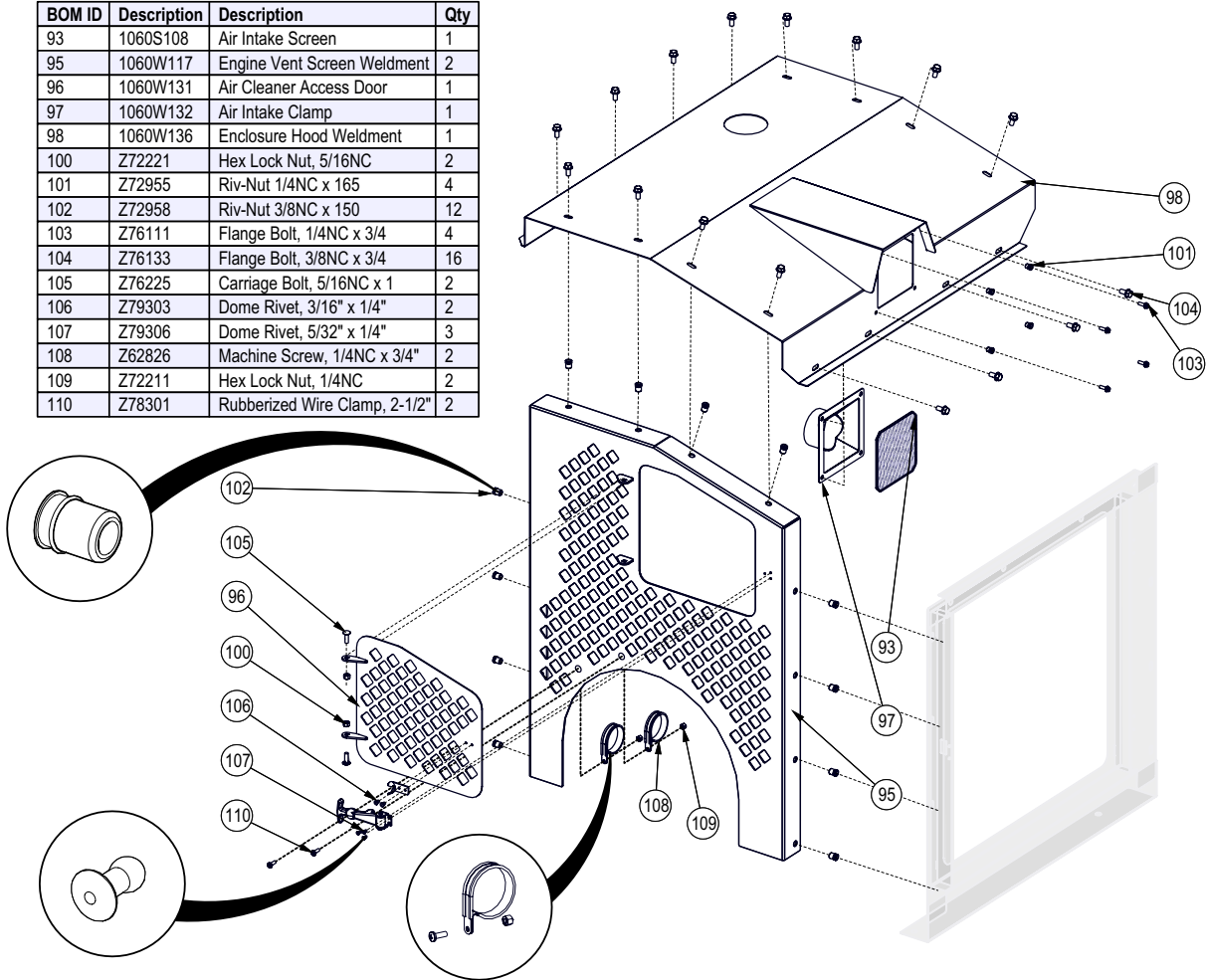


Engine Parts

Part #	Description
107010001559	Primary Air Filter Element (P828889 Donaldson Primary Filter)
107010001560	Safety Element (P829333 Donaldson Safety Element)
106200000515	Air Filter Case (Includes Filters) (G082526)
106200000062	Coolant Overflow Bottle
106010002269	Rad Cap
Part #	Description
SK PL20-S/D-31	Seal Kit for Z53115 Pump
PL20/20-S/D-31/S7	Seal Kit for Z53116 Pump

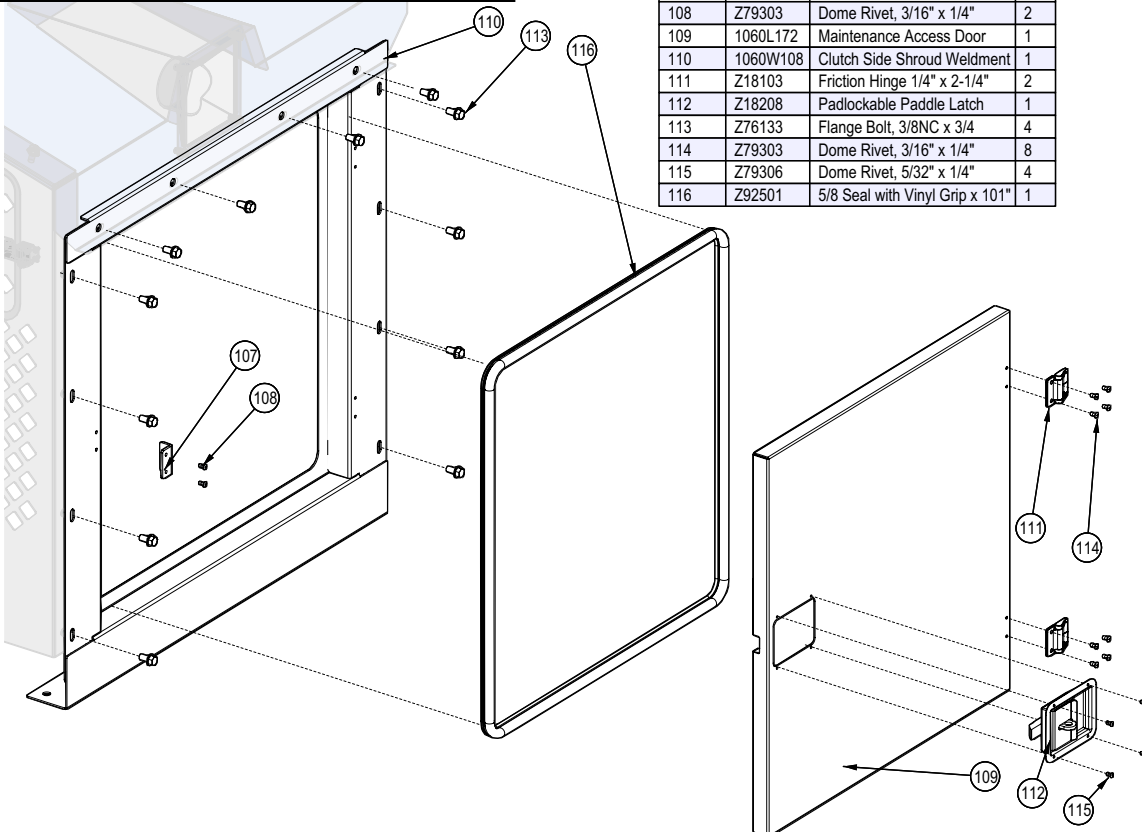
Engine Compartment Shroud

BOM ID	Description	Description	Qty
93	1060S108	Air Intake Screen	1
95	1060W117	Engine Vent Screen Weldment	2
96	1060W131	Air Cleaner Access Door	1
97	1060W132	Air Intake Clamp	1
98	1060W136	Enclosure Hood Weldment	1
100	Z72221	Hex Lock Nut, 5/16NC	2
101	Z72955	Riv-Nut 1/4NC x 165	4
102	Z72958	Riv-Nut 3/8NC x 150	12
103	Z76111	Flange Bolt, 1/4NC x 3/4	4
104	Z76133	Flange Bolt, 3/8NC x 3/4	16
105	Z76225	Carriage Bolt, 5/16NC x 1	2
106	Z79303	Dome Rivet, 3/16" x 1/4"	2
107	Z79306	Dome Rivet, 5/32" x 1/4"	3
108	Z62826	Machine Screw, 1/4NC x 3/4"	2
109	Z72211	Hex Lock Nut, 1/4NC	2
110	Z78301	Rubberized Wire Clamp, 2-1/2"	2



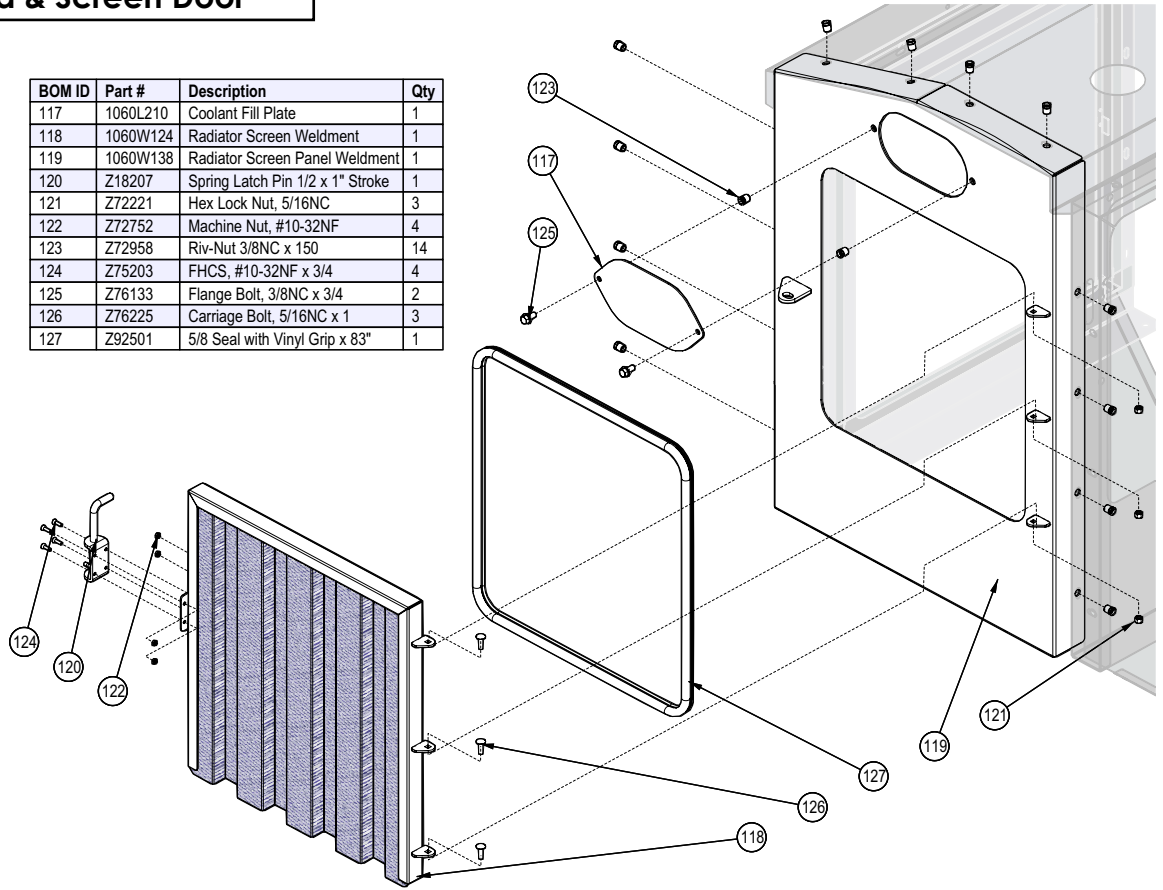
Engine Compartment Door

BOM ID	Part #	Description	Qty
107	1060L235	Latch Strike Plate	1
108	Z79303	Dome Rivet, 3/16" x 1/4"	2
109	1060L172	Maintenance Access Door	1
110	1060W108	Clutch Side Shroud Weldment	1
111	Z18103	Friction Hinge 1/4" x 2-1/4"	2
112	Z18208	Padlockable Paddle Latch	1
113	Z76133	Flange Bolt, 3/8NC x 3/4	4
114	Z79303	Dome Rivet, 3/16" x 1/4"	8
115	Z79306	Dome Rivet, 5/32" x 1/4"	4
116	Z92501	5/8 Seal with Vinyl Grip x 101"	1



Radiator Shroud & Screen Door

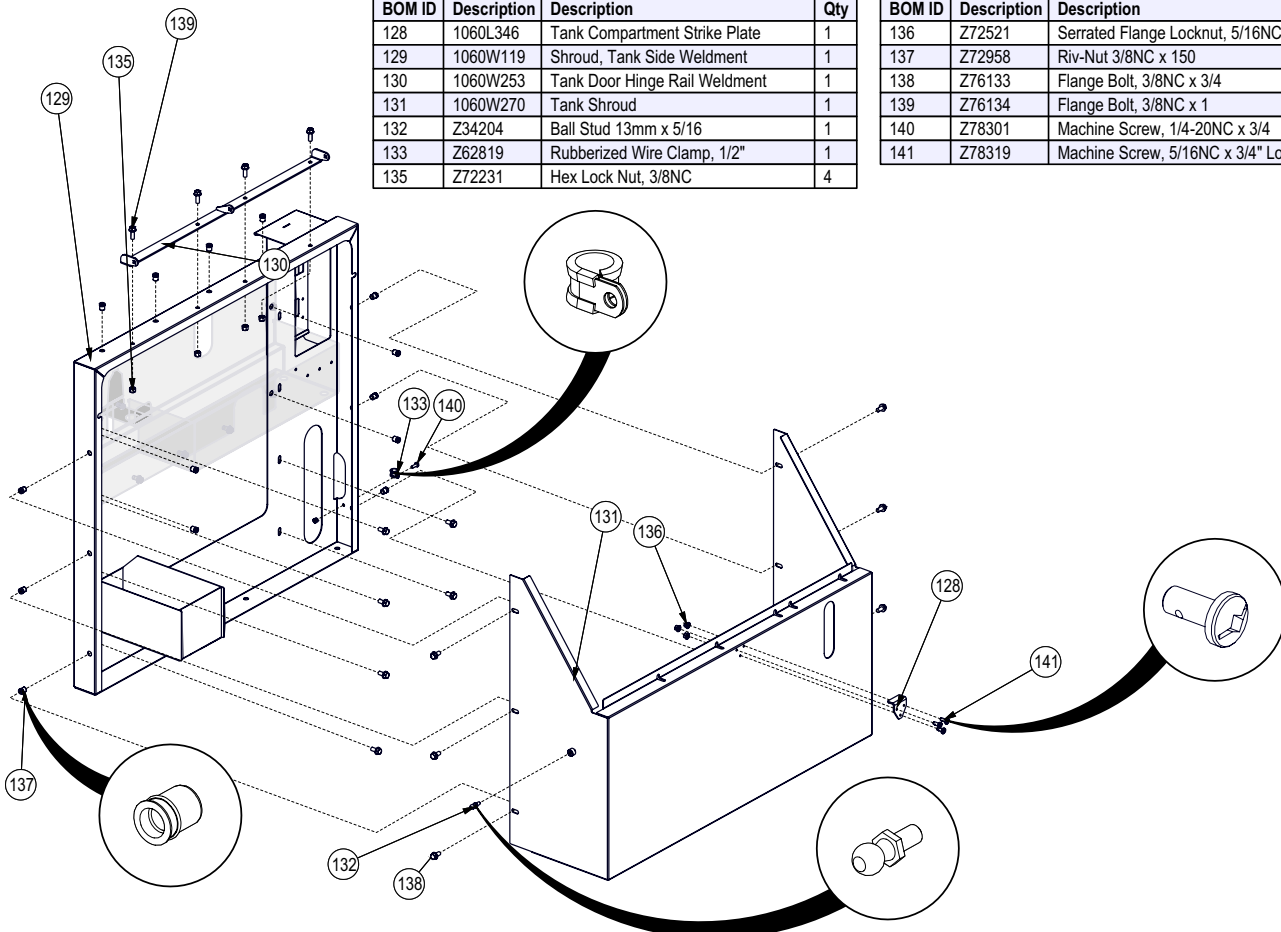
BOM ID	Part #	Description	Qty
117	1060L210	Coolant Fill Plate	1
118	1060W124	Radiator Screen Weldment	1
119	1060W138	Radiator Screen Panel Weldment	1
120	Z18207	Spring Latch Pin 1/2 x 1" Stroke	1
121	Z72221	Hex Lock Nut, 5/16NC	3
122	Z72752	Machine Nut, #10-32NF	4
123	Z72958	Riv-Nut 3/8NC x 150	14
124	Z75203	FHCS, #10-32NF x 3/4	4
125	Z76133	Flange Bolt, 3/8NC x 3/4	2
126	Z76225	Carriage Bolt, 5/16NC x 1	3
127	Z92501	5/8 Seal with Vinyl Grip x 83"	1

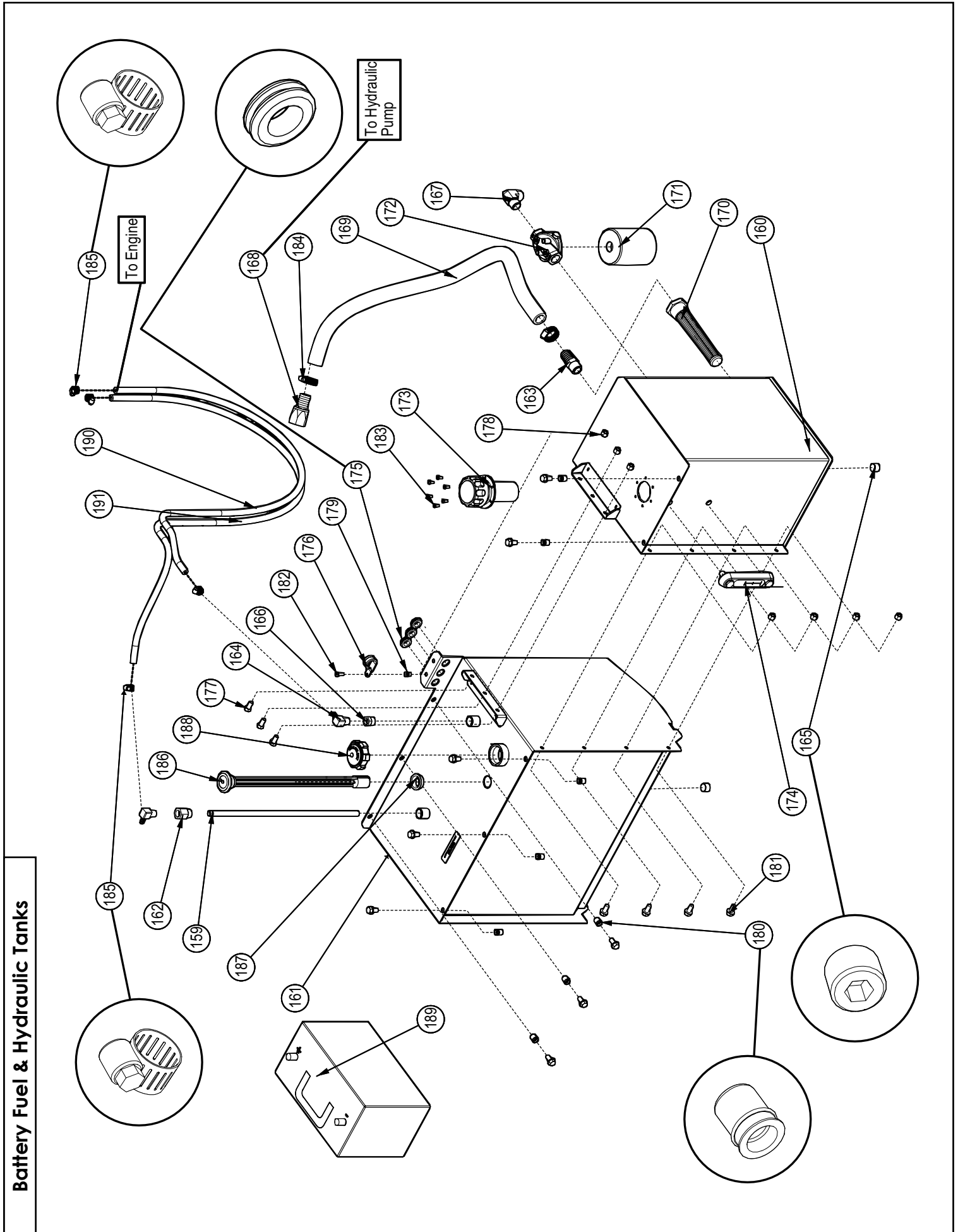


Tank Compartment Shroud

BOM ID	Description	Description	Qty
128	1060L346	Tank Compartment Strike Plate	1
129	1060W119	Shroud, Tank Side Weldment	1
130	1060W253	Tank Door Hinge Rail Weldment	1
131	1060W270	Tank Shroud	1
132	Z34204	Ball Stud 13mm x 5/16	1
133	Z62819	Rubberized Wire Clamp, 1/2"	1
135	Z72231	Hex Lock Nut, 3/8NC	4

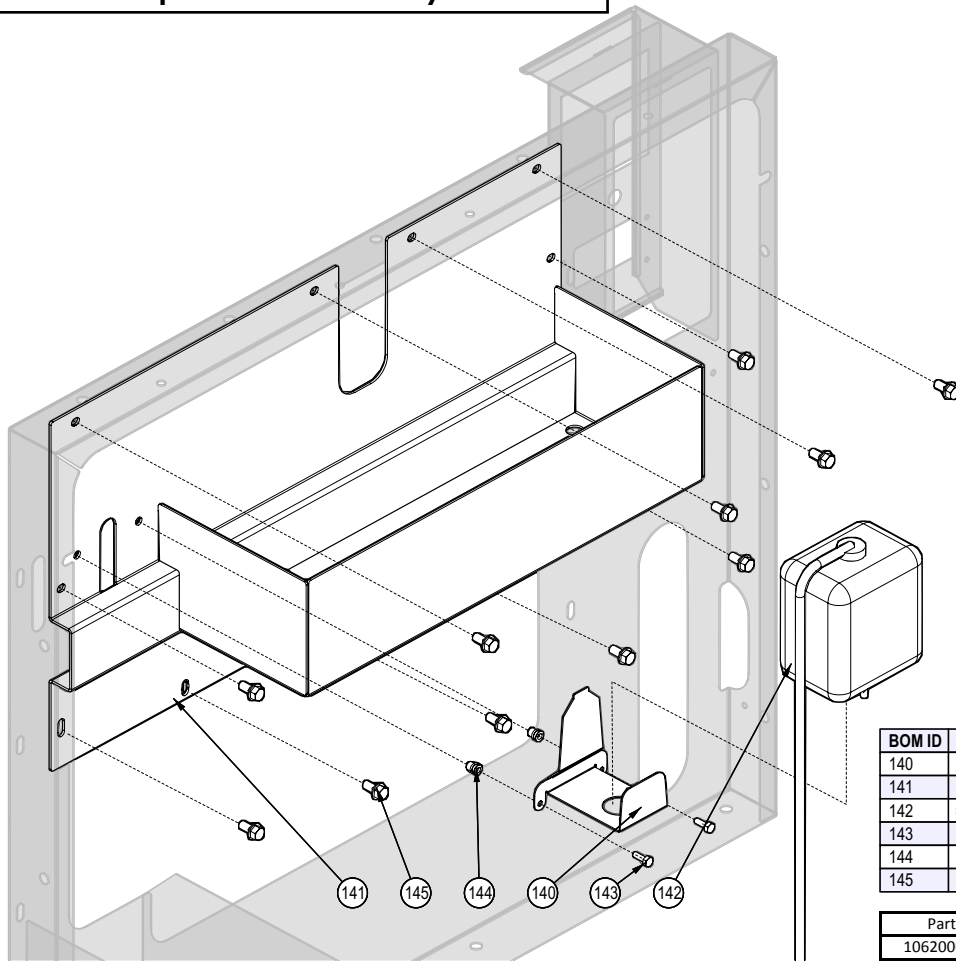
BOM ID	Description	Description	Qty
136	Z72521	Serrated Flange Locknut, 5/16NC	3
137	Z72958	Riv-Nut 3/8NC x 150	18
138	Z76133	Flange Bolt, 3/8NC x 3/4	12
139	Z76134	Flange Bolt, 3/8NC x 1	4
140	Z78301	Machine Screw, 1/4-20NC x 3/4	1
141	Z78319	Machine Screw, 5/16NC x 3/4" Locking	3





Battery Fuel & Hydraulic Tanks

Tank Compartment Tool Tray Detail



BOM ID	Part #	Description	Qty
140	1060L183	Coolant Overflow Bracket	1
141	1060W133	Toolbox Rail Weldment	1
142	see below	Coolant Overflow Bottle Kit	1
143	Z71107	Hex Bolt, 1/4NC x 3/4	2
144	Z72955	Riv-Nut 1/4NC x 165	2
145	Z76133	Flange Bolt, 3/8NC x 3/4	11

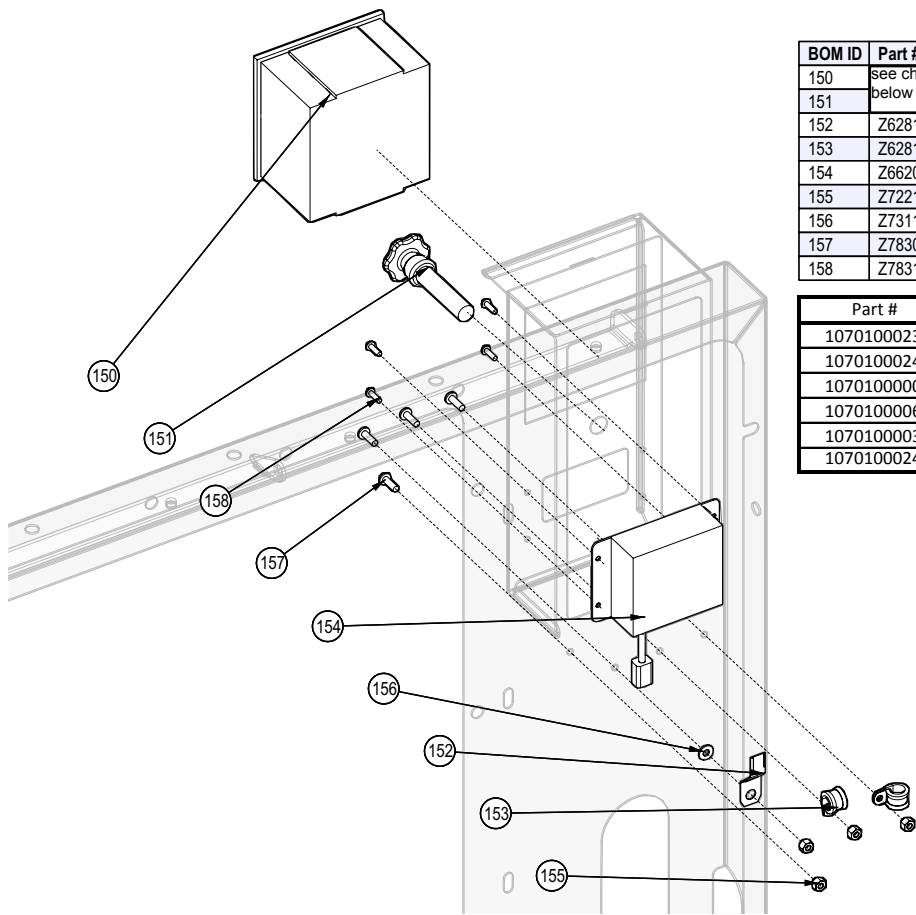
Part #	Description
106200000062	Coolant Overflow Bottle

Battery Fuel & Hydraulic Tanks

Continued from page 12

BOM ID	Part #	Description	Qty
159	1060S103	Fuel Pickup Tube	1
160	1060W114	Hydraulic Tank Weldment	1
161	1060W115	Fuel Tank Weldment	1
162	1060m103	Custom Adapter MP08 x FP06	1
163	Z51188	Straight, HB x MP 1612	1
164	Z51189	Elbow 90 HB x MP 0506	2
165	Z51192	Socket Plug MP08	2
166	Z51226	Reducer, MP x FP 0806	1
167	Z51454	Elbow 90 MJIC X MP 1212	1
168	Z51594	Straight, HB x FJICX 1616	1
169	Z52422	1" Tank Truck Hose x 40"	1
170	Z55101	Suction Strainer, 10gpm	1
171	Z55301	Oil Filter - 3/4 - Particulate	1
172	Z55302	Filter Cap, 3/4 x 3/4	1
173	Z55401	Breather Filler Cap	1
174	Z55908	Reservoir Sight Level Thermometer	1
175	Z62823	Rubber Grommet 3/4 x 1/8	3
176	Z62824	Rubberized Wire Clamp, 1"	1
177	Z71307	Hex Bolt, 3/8NC x 3/4	3
178	Z72231	Hex Lock Nut, 3/8NC	7
179	Z72955	Riv-Nut 1/4NC x 165	1
180	Z72958	Riv-Nut 3/8NC x 150	10
181	Z76133	Flange Bolt, 3/8NC x 3/4	12
182	Z78301	Machine Screw, 1/4-20NC x 3/4	1
183	Z78303	Machine Screw, #10-32NF x 1/2	6
184	Z79401	Hose Clamp, #16	2
185	Z79405	Hose Clamp, #4	4
186	Z93112	Fuel Gauge, Grommet x 18"	1
187	Z93115	Remote Fuel Gauge Grommet	1
188	Z93116	TIPS Rollover Fuel Cap - Diesel	1
189	Z93217	Battery 31A-950	1
190	Z93311a	Fuel Line, 5/16 x 58"	1
191	Z93311b	Fuel Line, 5/16 x 66"	1

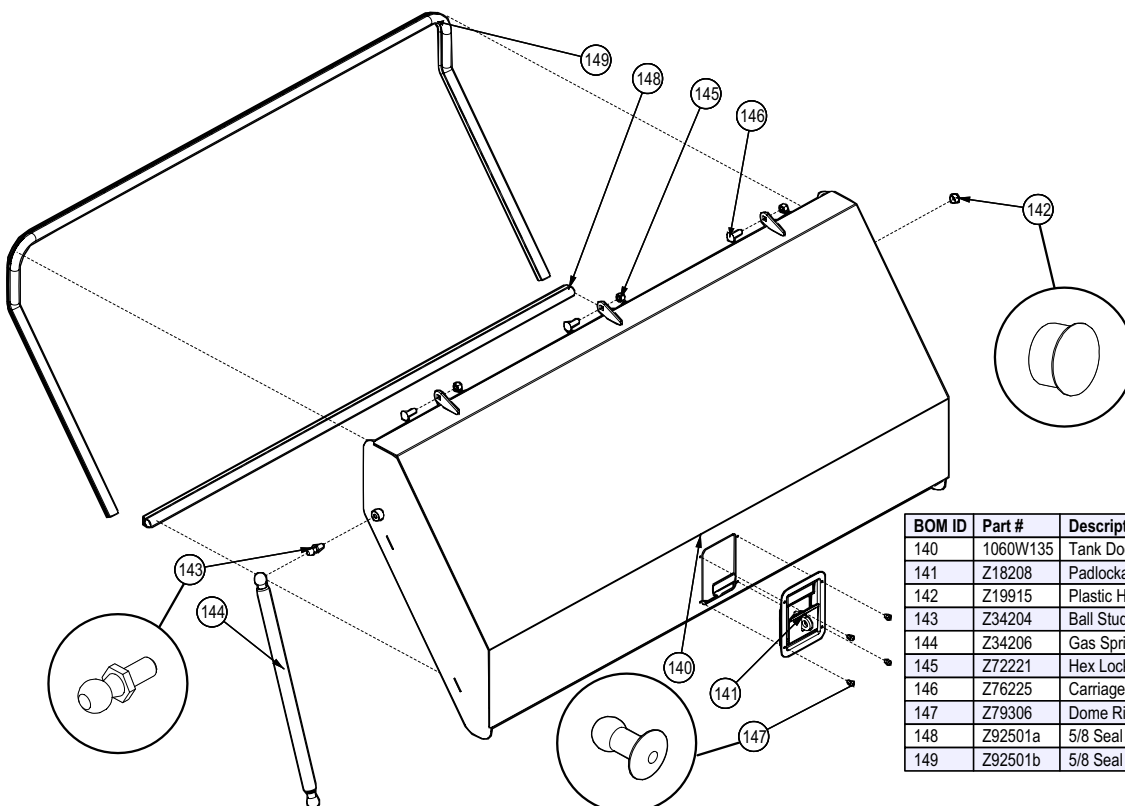
Control Panel



BOM ID	Part #	Description	Qty
150	see chart below	Engine Control Box	1
151		Kubota Throttle Assembly	1
152	Z62816	Deutsch Mounting Clip	1
153	Z62819	Rubberized Wire Clamp, 1/2"	2
154	Z66204	Control, IntelliFEED	1
155	Z72211	Hex Lock Nut, 1/4NC	4
156	Z73111	Flat Washer, 1/4	1
157	Z78301	Machine Screw, 1/4-20NC x 3/4	4
158	Z78312	Machine Screw, #10-24NC x 5/8	4

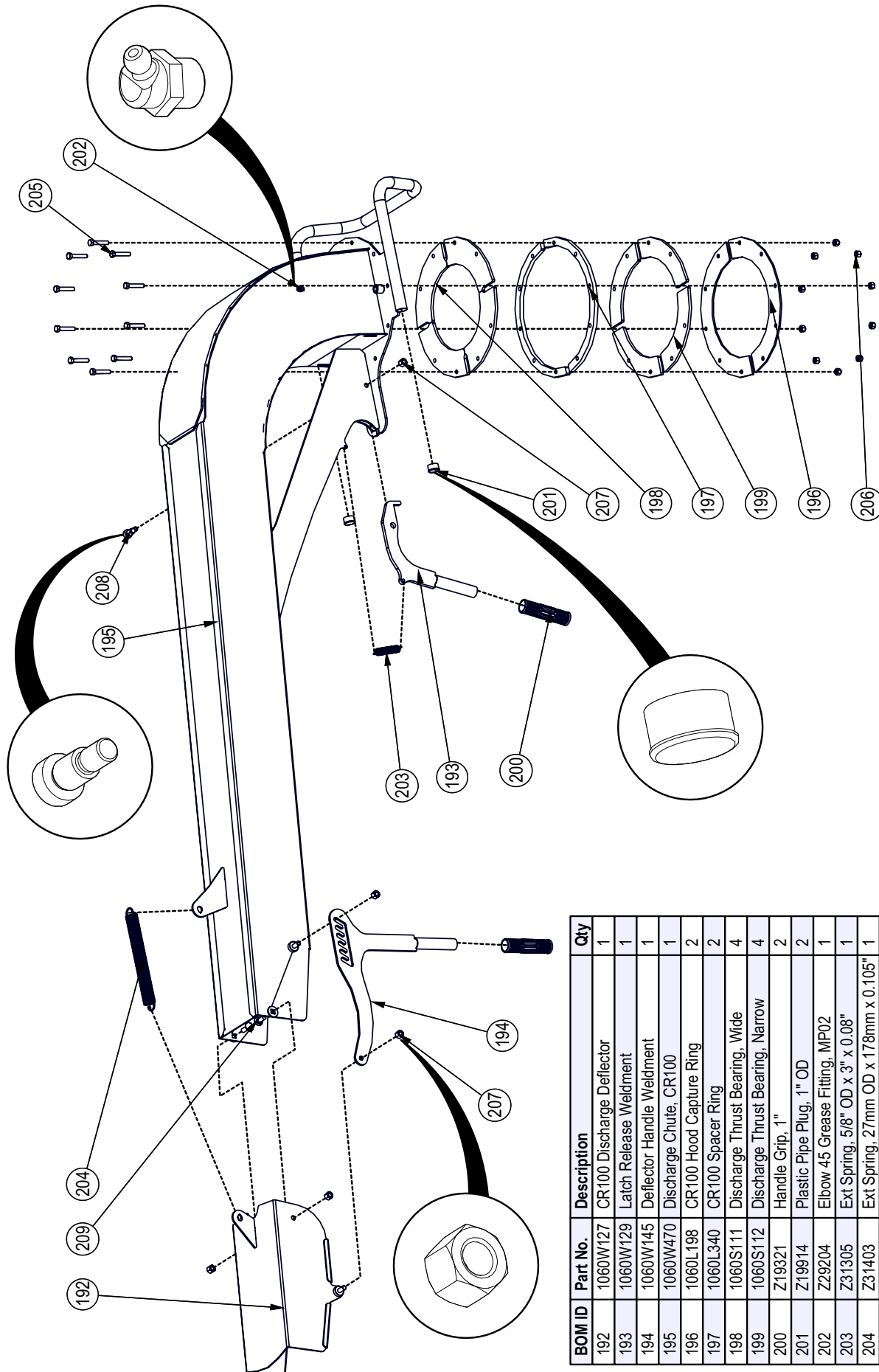
Part #	Description
107010002329	Lofa Panel
107010002445	Tachometer
107010000007	10' vernier cable
107010000610	Black Knob
107010000351	Pivot
107010002493	Threaded Hub

Tank Compartment Lid



BOM ID	Part #	Description	Qty
140	1060W135	Tank Door	1
141	Z18208	Padlockable Paddle Latch	1
142	Z19915	Plastic Hole Plug 9/16"	1
143	Z34204	Ball Stud 13mm x 5/16	1
144	Z34206	Gas Spring, 10mm x 11" Stroke 50lbs	1
145	Z72221	Hex Lock Nut, 5/16NC	3
146	Z76225	Carriage Bolt, 5/16NC x 1	3
147	Z79306	Dome Rivet, 5/32" x 1/4"	4
148	Z92501a	5/8 Seal with Vinyl Grip x 42"	1
149	Z92501b	5/8 Seal with Vinyl Grip x 99"	1

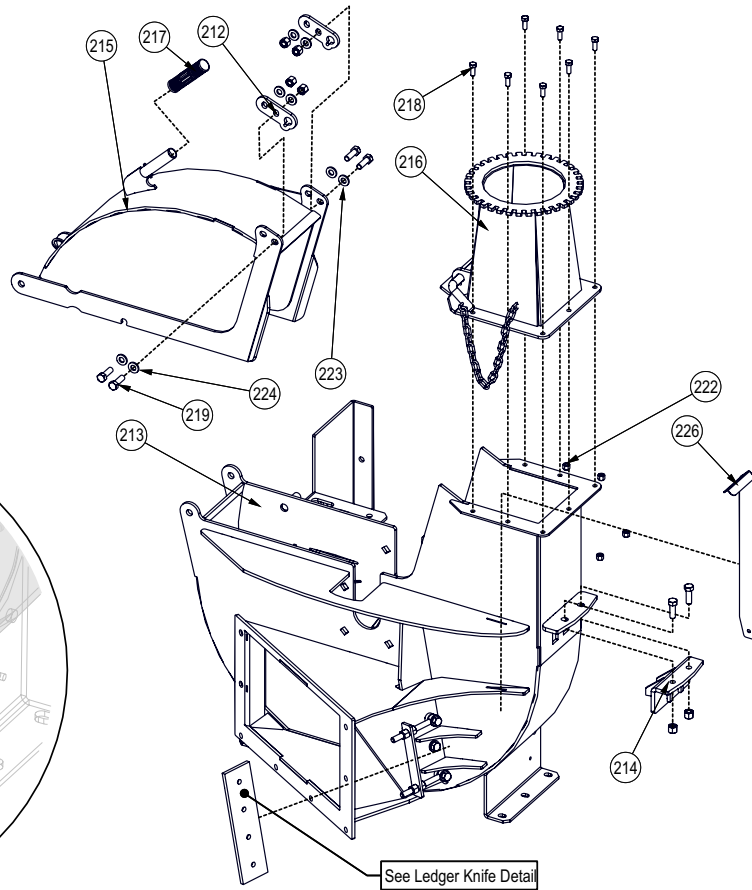
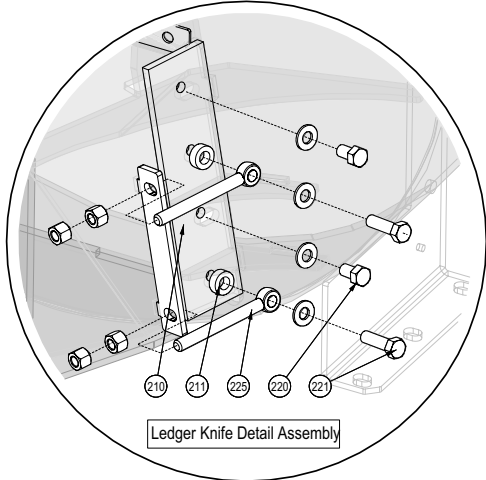
Discharge Chute



BOM ID	Part No.	Description	Qty
192	1060W127	CR100 Discharge Deflector	1
193	1060W129	Latch Release Weldment	1
194	1060W145	Deflector Handle Weldment	1
195	1060W470	Discharge Chute, CR100	1
196	1060L198	CR100 Hood Capture Ring	2
197	1060L340	CR100 Spacer Ring	2
198	1060S111	Discharge Thrust Bearing, Wide	4
199	1060S112	Discharge Thrust Bearing, Narrow	4
200	Z19321	Handle Grip, 1"	2
201	Z19914	Plastic Pipe Plug, 1" OD	2
202	Z29204	Elbow 45 Grease Fitting, MP02	1
203	Z31305	Ext Spring, 5/8" OD x 3" x 0.08"	1
204	Z31403	Ext Spring, 27mm OD x 178mm x 0.105"	1
205	Z1217	Hex Bolt, 5/16NC x 1-3/4"	10
206	Z12221	Hex Lock Nut, 5/16NC	10
207	Z12231	Hex Lock Nut, 3/8NC	5
208	Z15552	Shoulder Bolt, 1/2" x 5/8"	1
209	Z16231	Carriage Bolt, 3/8NC x 1"	2

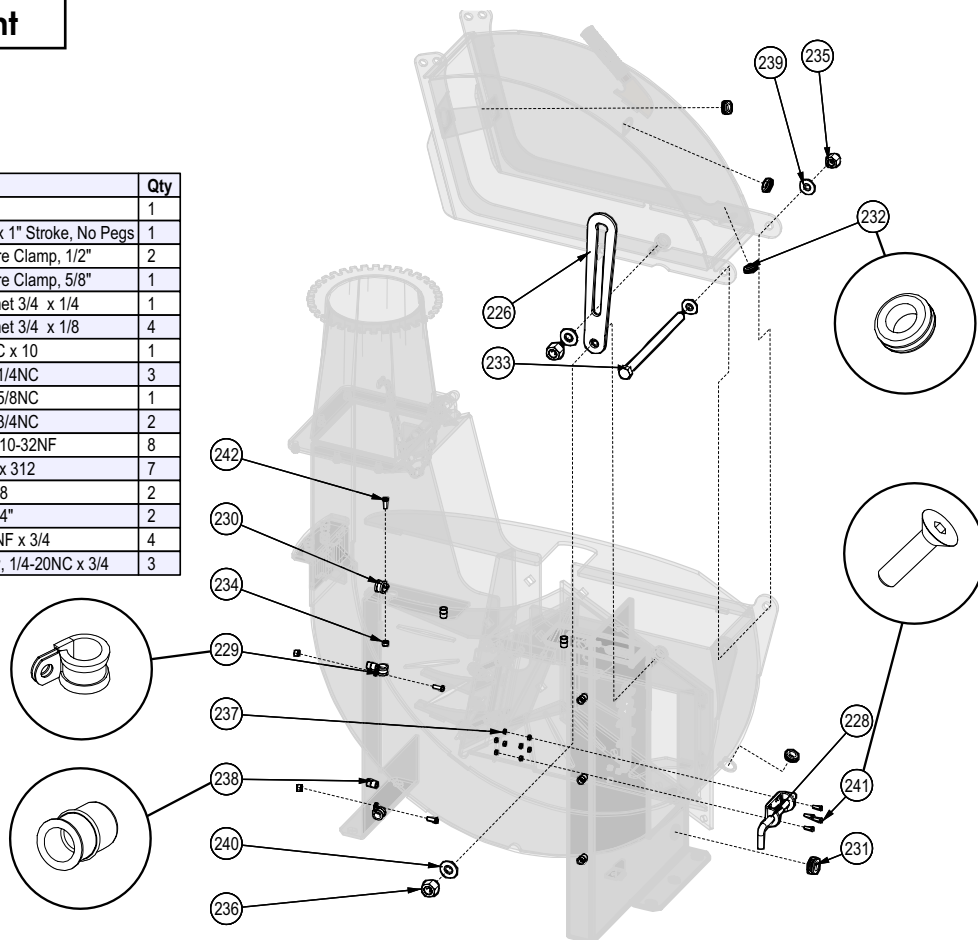
Rotor Housing Rear

BOM ID	Part No.	Description	Qty
210	1019M904	Knife, BX92 Ledger	1
211	1021L150	Ledger Washer	2
212	1060L284	Hood Closure Interface	2
213	1060W102	Lower Housing Weldment, Trailer	1
214	1060W103	Twig Breaker, CR100	1
215	1060W126	CR100 Upper Housing	1
216	1060W150	Square to Round Weldment	1
217	Z19321	Handle Grip, 1"	1
218	Z71310	Hex Bolt, 3/8NC x 1"	7
219	Z71515	Hex Bolt, 1/2NC x 1-1/2"	6
220	Z71572G8	Hex Bolt, 1/2NF x 7/8 Gr8	2
221	Z71579G8	Hex Bolt, 1/2NF x 1-3/4" G8	2
222	Z72231	Hex Lock Nut, 3/8NC	4
223	Z72251	Hex Lock Nut, 1/2NC	10
224	Z73151	SAE Washer, 1/2"	12
225	Z76552	Rod End, 1/2NC x 5" Full Threads	2
226	1012L269	Gauge, Ledger Setting	1

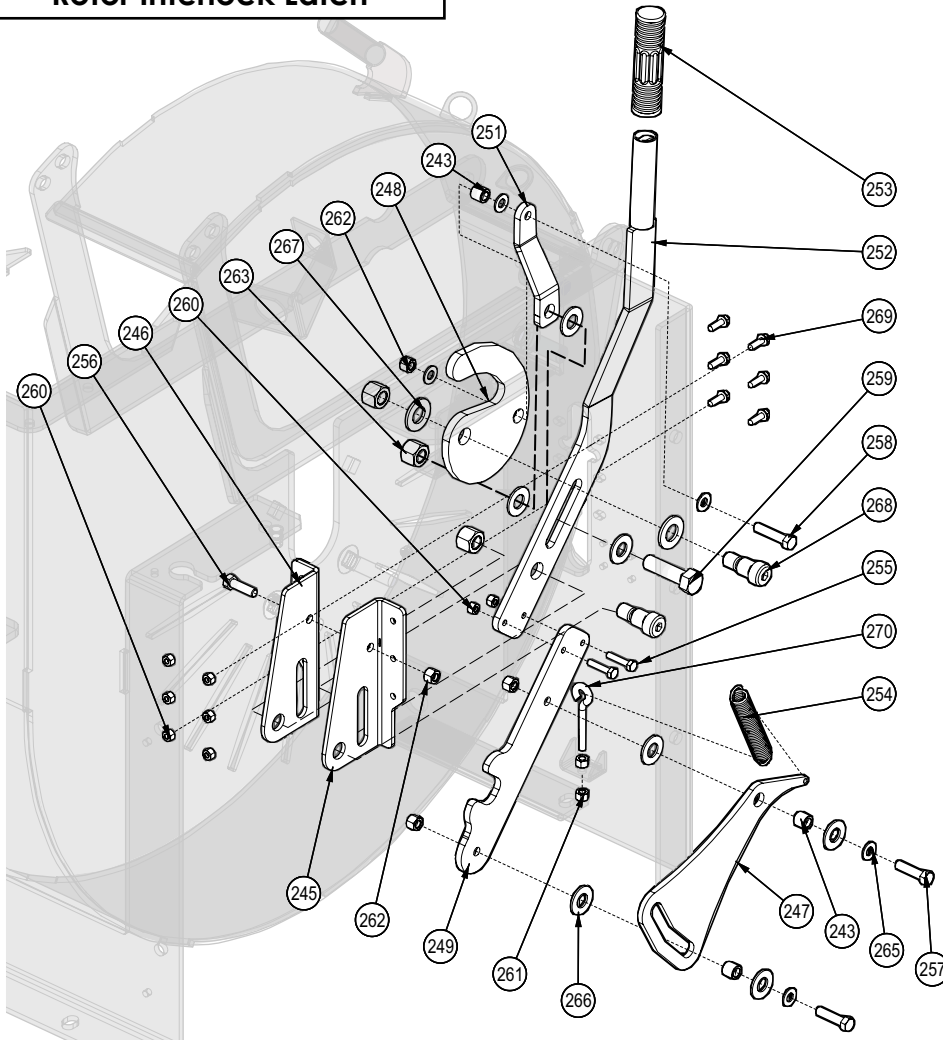


Rotor Housing Front

BOM ID	Part #	Description	Qty
226	1021L155	Rotation Stop	1
228	Z18210	Spring Pin 1/2 x 1" Stroke, No Pegs	1
229	Z62819	Rubberized Wire Clamp, 1/2"	2
230	Z62821	Rubberized Wire Clamp, 5/8"	1
231	Z62822	Rubber Grommet 3/4 x 1/4	1
232	Z62823	Rubber Grommet 3/4 x 1/8	4
233	Z71662	Hex Bolt, 5/8NC x 10	1
234	Z72211	Hex Lock Nut, 1/4NC	3
235	Z72261	Hex Lock Nut, 5/8NC	1
236	Z72271	Hex Lock Nut, 3/4NC	2
237	Z72752	Machine Nut, #10-32NF	8
238	Z72959	Riv-Nut 3/8NC x 312	7
239	Z73161	Flat Washer, 5/8	2
240	Z73171	Flat Washer, 3/4"	2
241	Z75203	FHCS, #10-32NF x 3/4	4
242	Z78301	Machine Screw, 1/4-20NC x 3/4	3

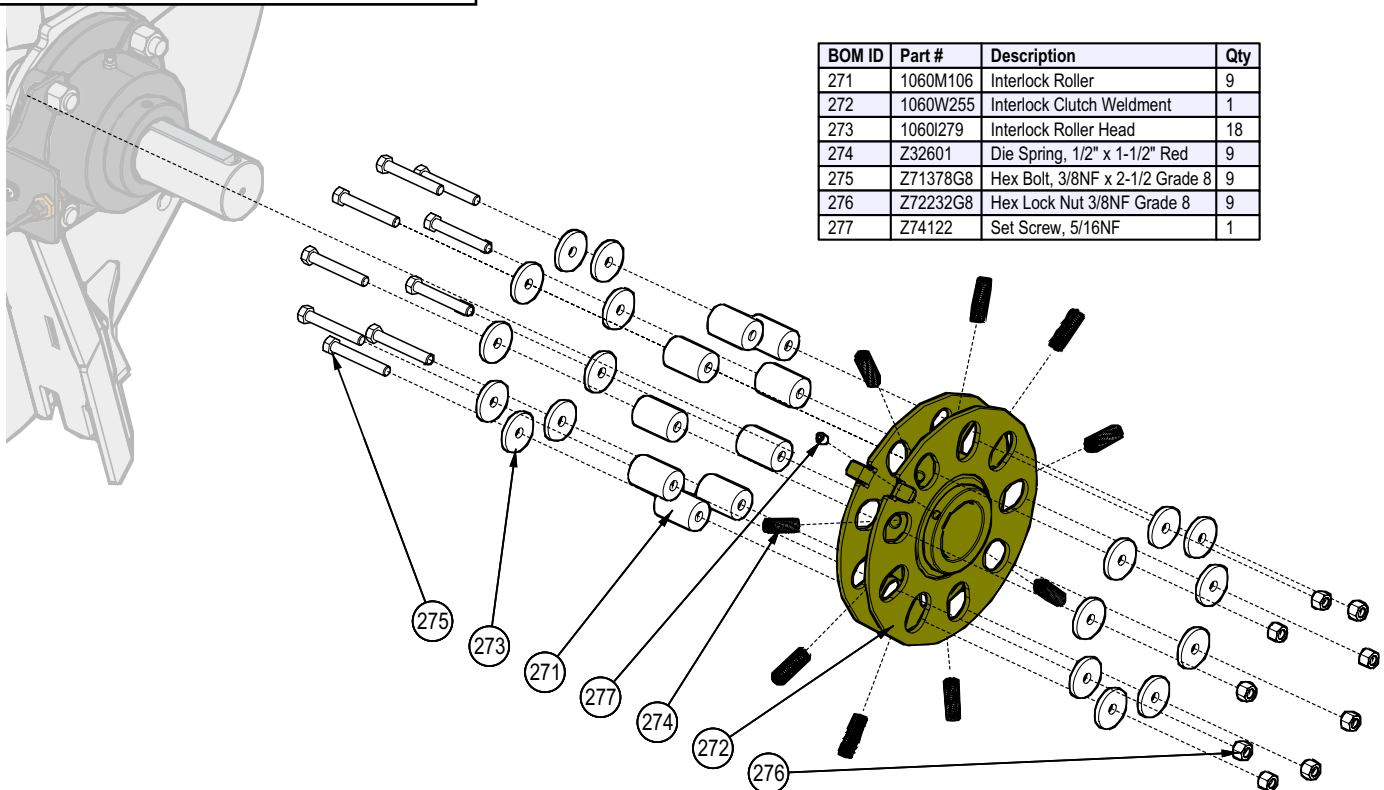


Rotor Interlock Latch



BOM ID	Part #	Description	Qty
243	1056M115	Spacer, Shredder .580	3
245	1060L281	Interlock Handle Base LH	1
246	1060L281H	1060L281 Mirror	1
247	1060L282	Interlock Early Warning	1
248	1060L287	Rotor Hood Safety Latch	1
249	1060L328	Interlock Tip	1
251	1060L330	Linkage	1
252	1060W256	Interlock Engage Handle	1
253	Z19321	Grip, 1" x 5"	1
254	Z31401	Spring 3/4 x 4" Heavy	1
255	Z71112	Hex Bolt, 1/4NC x 1-1/4	2
256	Z71312	Hex Bolt, 3/8NC x 1-1/4	1
257	Z71315	Hex Bolt, 3/8NC x 1-1/2	2
258	Z71317	Hex Bolt, 3/8NC x 1-3/4	1
259	Z71622	Hex Bolt, 5/8NC x 2-1/4	1
260	Z72211	Hex Lock Nut, 1/4NC	8
261	Z72221	Hex Lock Nut, 5/16NC	2
262	Z72231	Hex Lock Nut, 3/8NC	4
263	Z72261	Hex Lock Nut, 5/8NC	3
265	Z73131	Flat Washer, 3/8	5
266	Z73161	Flat Washer, 5/8	7
267	Z73171	Flat Washer, 3/4"	2
268	Z75572	Shoulder Bolt, 3/4 x 3/4	2
269	Z76111	Flange Bolt, 1/4NC x 3/4	6
270	Z76522	Eye Bolt 5/16NC x 2	1

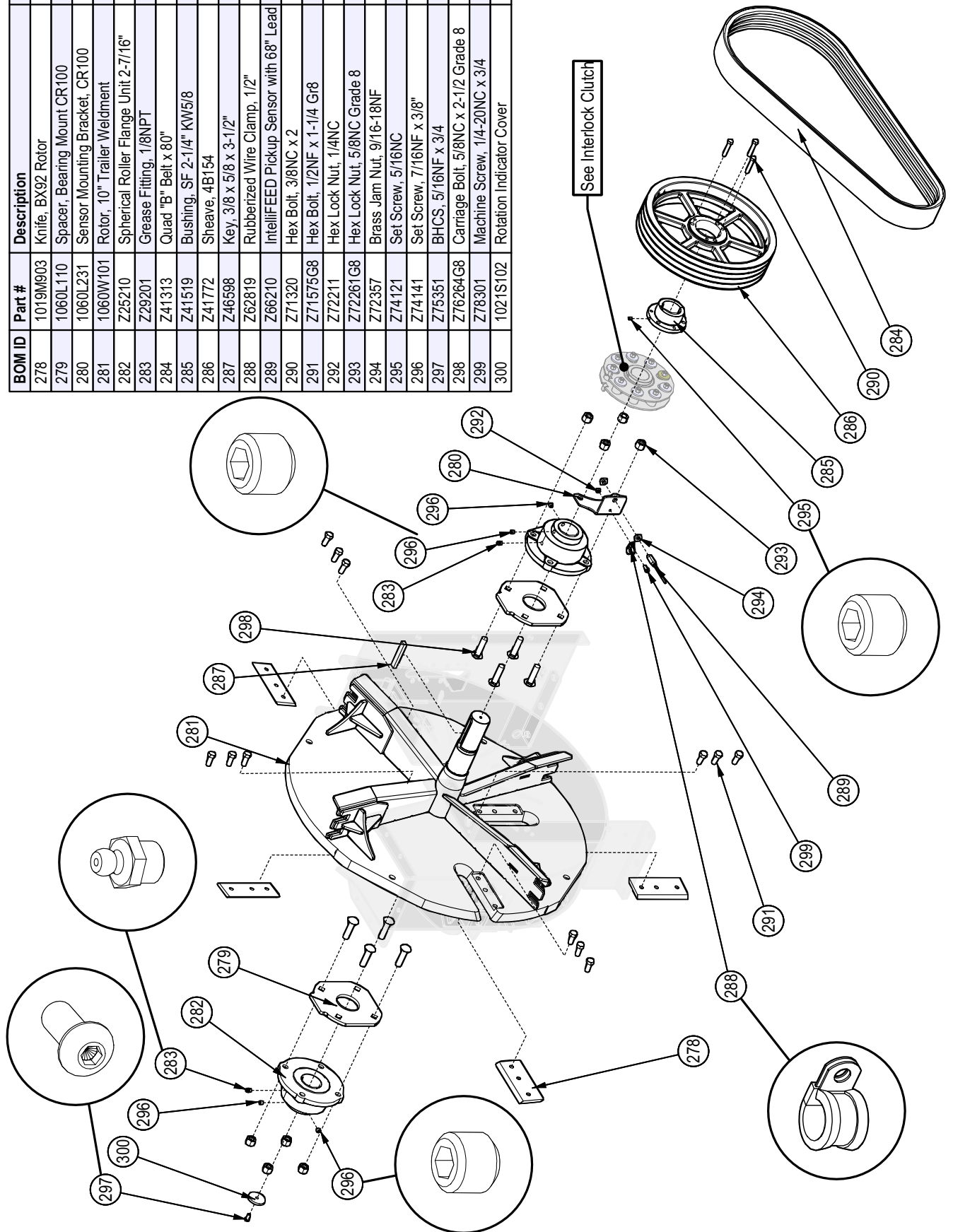
Rotor Interlock Clutch



BOM ID	Part #	Description	Qty
271	1060M106	Interlock Roller	9
272	1060W255	Interlock Clutch Weldment	1
273	1060I279	Interlock Roller Head	18
274	Z32601	Die Spring, 1/2" x 1-1/2" Red	9
275	Z71378G8	Hex Bolt, 3/8NF x 2-1/2 Grade 8	9
276	Z72232G8	Hex Lock Nut 3/8NF Grade 8	9
277	Z74122	Set Screw, 5/16NF	1

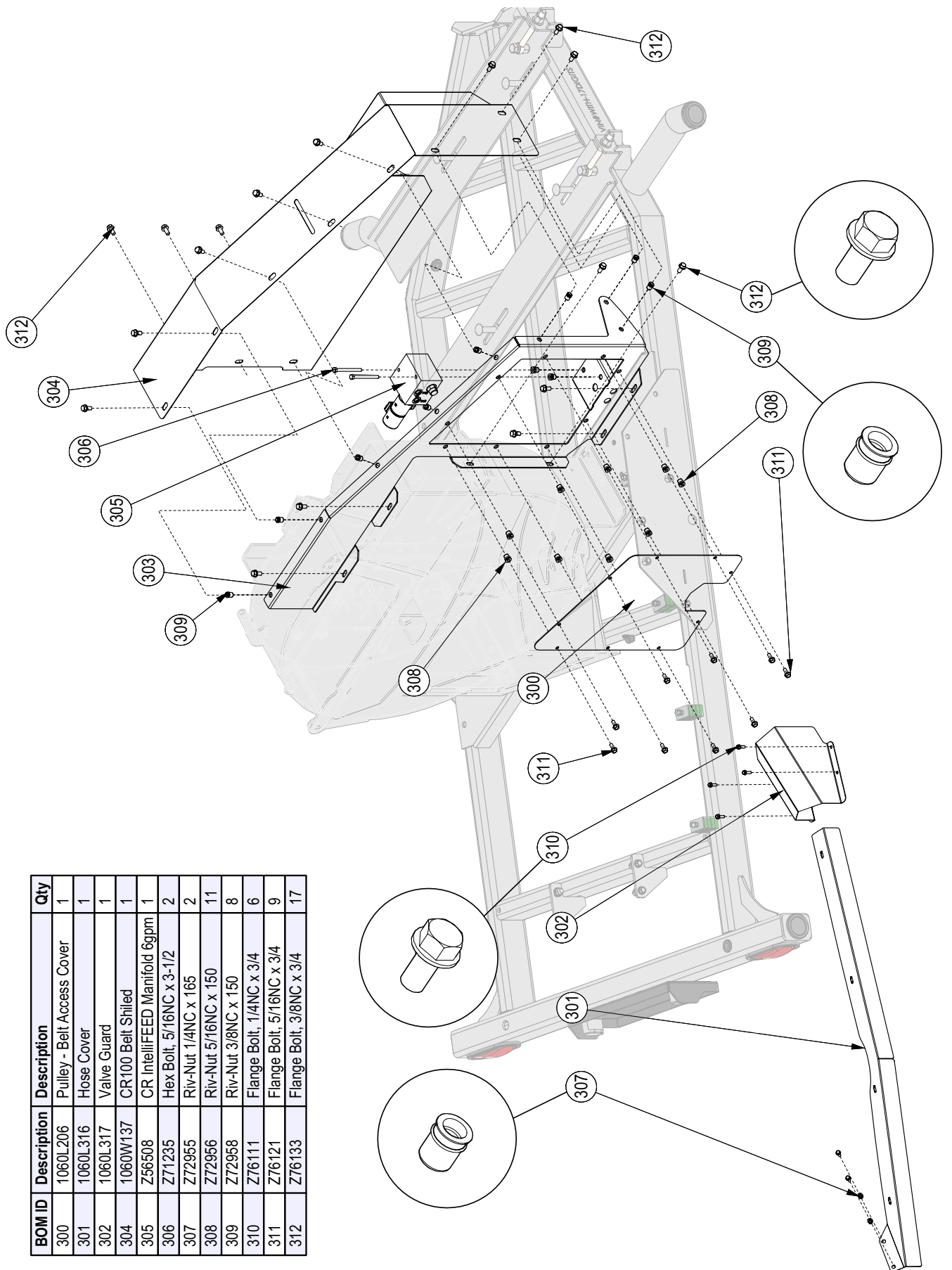
Rotor Assembly

BOM ID	Part #	Description	Qty
278	1019M903	Knife, BX92 Rotor	4
279	1060L110	Spacer, Bearing Mount CR100	2
280	1060L231	Sensor Mounting Bracket, CR100	1
281	1060W101	Rotor, 10" Trailer Weldment	1
282	Z25210	Spherical Roller Flange Unit 2-7/16"	2
283	Z29201	Grease Fitting, 1/8NPT	2
284	Z41313	Quad "B" Belt x 80"	1
285	Z41519	Bushing, SF 2-1/4" KW5/8	1
286	Z41772	Sheave, 4B154	1
287	Z46598	Key, 3/8 x 5/8 x 3-1/2"	1
288	Z62819	Rubberized Wire Clamp, 1/2"	1
289	Z66210	IntelliFEED Pickup Sensor with 68" Lead	1
290	Z71320	Hex Bolt, 3/8NC x 2	3
291	Z71575G8	Hex Bolt, 1/2NF x 1-1/4 Gr8	12
292	Z72211	Hex Lock Nut, 1/4NC	1
293	Z72261G8	Hex Lock Nut, 5/8NC Grade 8	8
294	Z72357	Brass Jam Nut, 9/16-18NF	2
295	Z74121	Set Screw, 5/16NC	1
296	Z74141	Set Screw, 7/16NF x 3/8"	4
297	Z75351	BHCS, 5/16NF x 3/4	1
298	Z76264G8	Carriage Bolt, 5/8NC x 2-1/2 Grade 8	8
299	Z78301	Machine Screw, 1/4-20NC x 3/4	1
300	1021S102	Rotation Indicator Cover	1

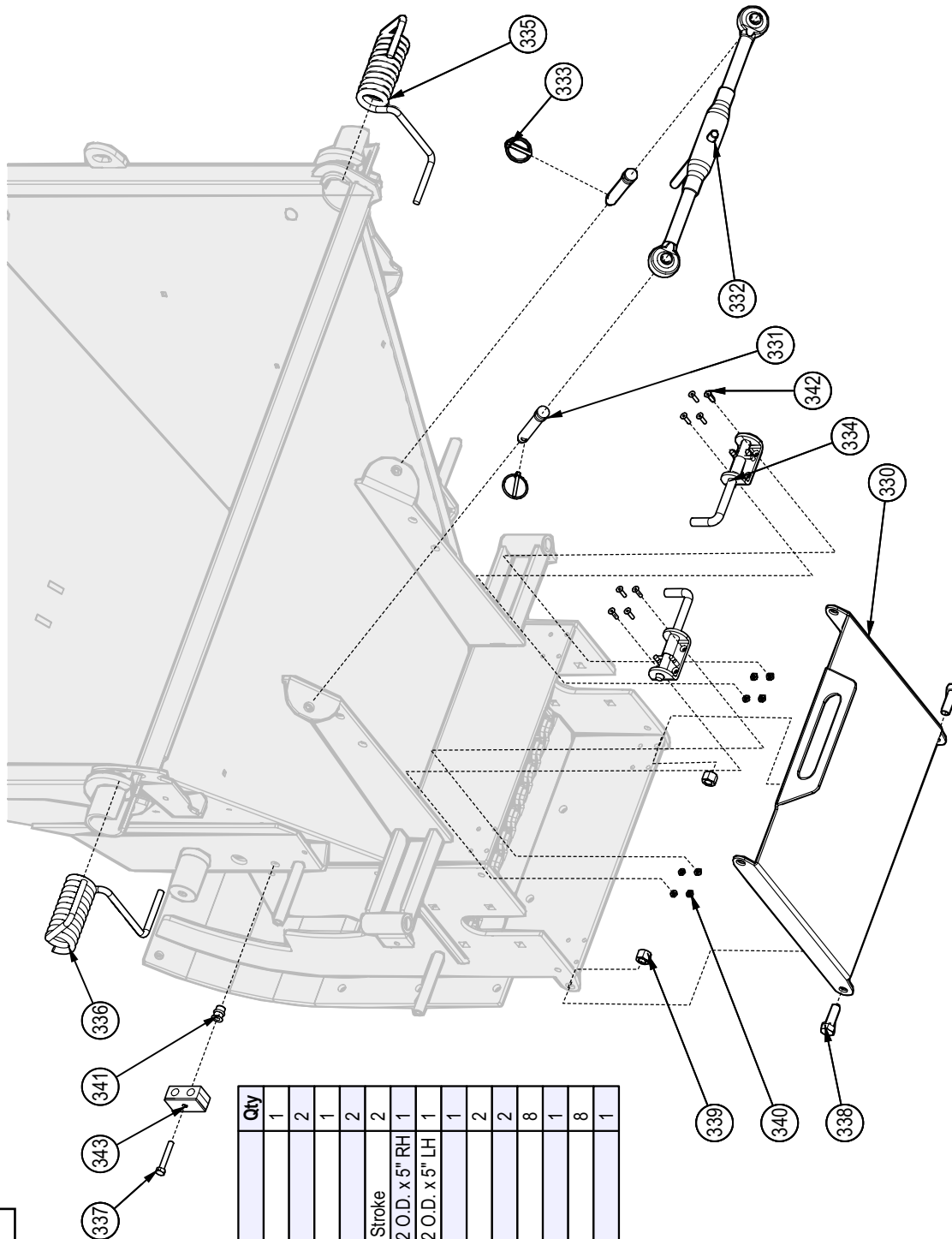


Pulley Shroud

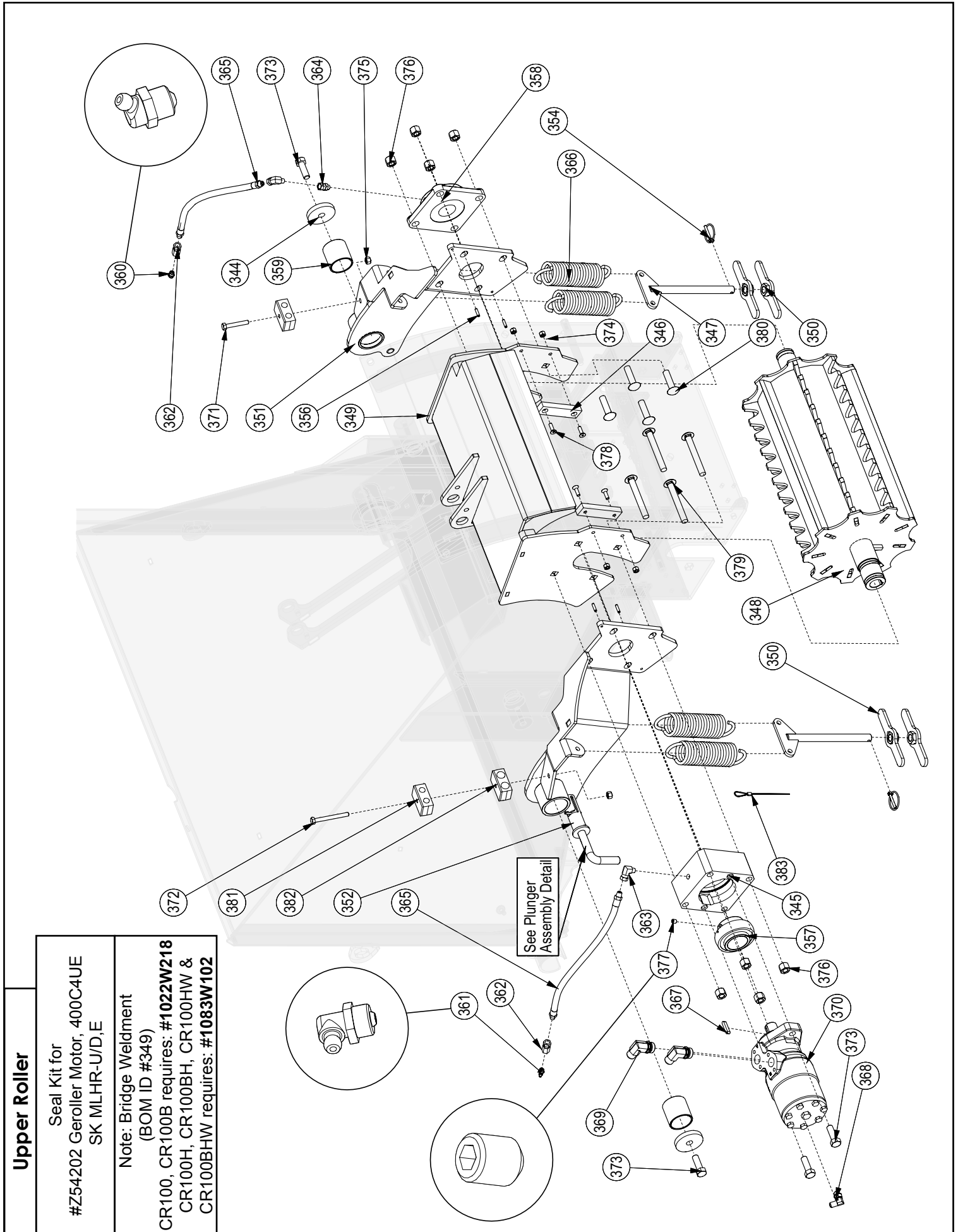
BOM ID	Description	Qty
300	1060L206 Pulley - Belt Access Cover	1
301	1060L316 Hose Cover	1
302	1060L317 Valve Guard	1
304	1060W137 CR100 Belt Shilded	1
305	Z56508 CR IntellIFeED Manifold 6gpm	1
306	Z71235 Hex Bolt, 5/16NC x 3-1/2	2
307	Z72955 Riv-Nut 1/4NC x 165	2
308	Z72956 Riv-Nut 5/16NC x 150	11
309	Z72958 Riv-Nut 3/8NC x 150	8
310	Z76111 Flange Bolt, 1/4NC x 3/4	6
311	Z76121 Flange Bolt, 5/16NC x 3/4	9
312	Z76133 Flange Bolt, 3/8NC x 3/4	17



Hopper Front/ Bottom View



BOM ID	Part #	Description	Qty
330	1060L139	Clean-out Tray, CR100	1
331	Z11111	Toplink Pin 5/8 x 2-3/4	2
332	Z11501	Toplink, Cat 0	1
333	Z12110	Latch Pin 3/16	2
334	Z18207	Spring Latch Pin 1/2 x 1" Stroke	2
335	Z33301	Torsion Spring 3/8wire x 2 O.D. x 5" RH	1
336	Z33302	Torsion Spring 3/8wire x 2 O.D. x 5" LH	1
337	Z71220	Hex Bolt, 5/16NC x 2	1
338	Z71515	Hex Bolt, 1/2NC x 1-1/2	2
339	Z72251	Hex Lock Nut, 1/2NC	2
340	Z72752	Machine Nut, #10-32NF	8
341	Z72957	Riv-Nut 5/16NC x 3/12	1
342	Z75203	FHCS, #10-32NF x 3/4	8
343	Z79462	Double Hose Clamp 1/2"	1

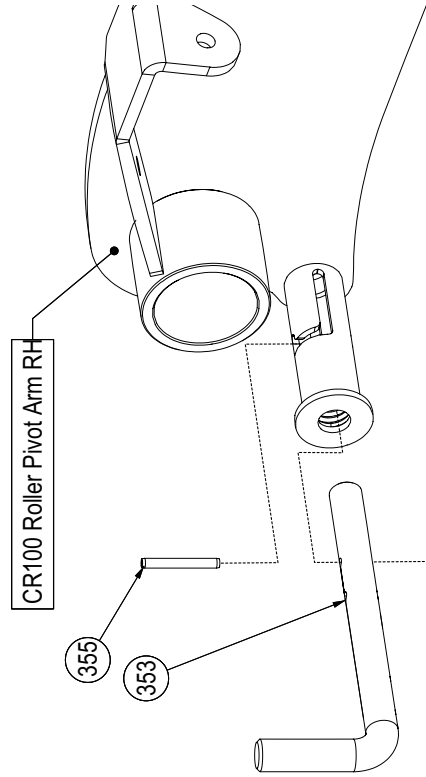


Upper Roller

Seal Kit for
 #Z54202 Geroller Motor, 400C4UE
 SK MLHR-U/D,E

Note: Bridge Weldment
 (BOM ID #349)
 CR100, CR100B requires: #1022W218
 CR100H, CR100BH, CR100HW &
 CR100BHW requires: #1083W102

Plunger Assembly Detail



Upper Roller Parts List

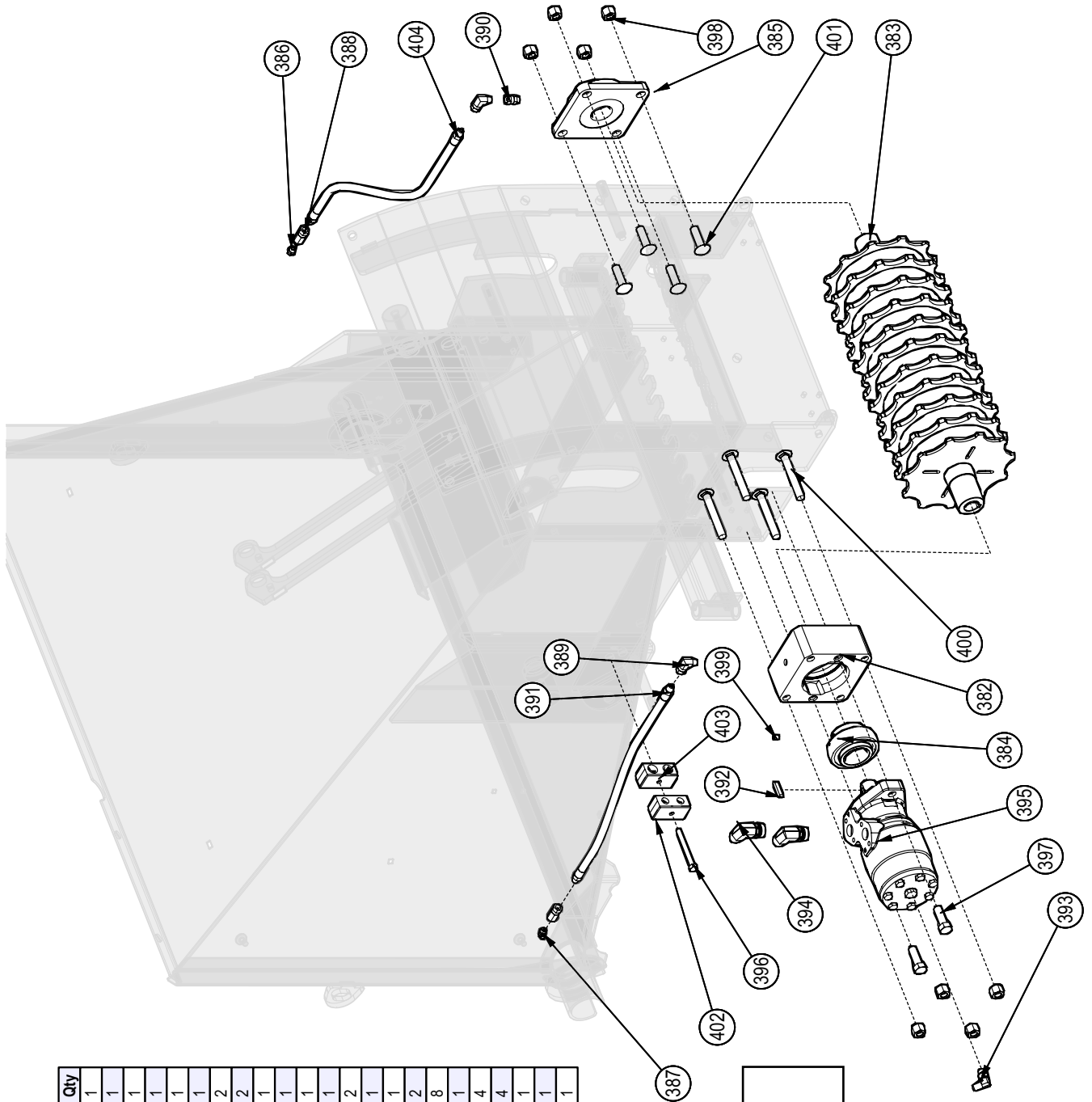
Continued from page 22

BOM ID	Description	Description	Qty
344	1015L618	Capture Washer	2
345	1022M218	UC Motor Bearing Housing	1
346	1022S208	Rotor Hood Slide	2
347	1022W206	Spring Yoke	2
348	1022W213	Upper Feed Roller	1
349	See Note	Bridge	1
350	1022W220	Nut Handle	4
351	1060W303	Weldment, Roller Pivot Arm LH	1
352	1060W303H	CR100 Roller Pivot Arm RH	1
353	1061M108	L Handled Plunger, Compact	2
354	Z12110	Latch Pin, 3/16	2
355	Z14151	Roll Pin, 3/16" x 1-1/2"	2
356	Z14152	Roll Pin, 3/16 x 3/4	4
357	Z21903	Ball Bearing Insert 1-3/4"	1
358	Z25204	4-Bolt Bearing 1-1/2" Bore	1
359	Z27101	Fiberglass Bearing 1-3/4 x 2	2
360	Z29204	Grease Fitting, 1/8NPT x 45	1
361	Z29207	Grease Zerk, MP02 x 90	1
362	Z29302	Straight, FP x FFX 0202	2
363	Z29307	Elbow 90 MP x FFX 0202	2
364	Z29311	Straight, MP x FFX 0202	1
365	Z29312	1/4" Grease Whip, MP02 x MP02 x 13"	2
366	Z31501	Spring 2 x 7 Heavy	4
367	Z46594	Blind Chipper, Key 1/4 x 1-1/4	1
368	Z51657	Elbow 90, MORB x MJIC 0404	1
369	Z51658	Elbow 90 MJIC x MORB 0810	2
370	Z54202	Geroller Motor, 400C4UE	1
371	Z71220	Hex Bolt, 5/16NC x 2	1
372	Z71230	Hex Bolt, 5/16NC x 3	1
373	Z71515	Hex Bolt, 1/2NC x 1-1/2	4
374	Z72211	Hex Lock Nut, 1/4NC	4
375	Z72221	Hex Lock Nut, 5/16NC	2
376	Z72251	Hex Lock Nut, 1/2NC	8
377	Z74122	Set Screw, 5/16NF	1
378	Z75211	FHCS, 1/4NC x 7/8	4
379	Z762511	Carriage Bolt, 1/2NC x 4	4
380	Z76255	Carriage Bolt, 1/2NC x 2	4
381	Z79462	Double Hose Clamp 1/2"	2
382	Z79463	Double Hose Clamp 1 1/16"	1
383	Z92110	1/16 Aircraft cable x 2'	1

Lower Roller

BOM ID	Part #	Description	Qty
382	1022M218	UC Motor Bearing Housing	1
383	1022W205	Lower Feed Roll	1
384	Z21903	Ball Bearing Insert 1-3/4"	1
385	Z25204	4-Bolt Bearing 1-1/2" Bore	1
386	Z29204	Grease Fitting, 1/8NPT x 45	1
387	Z29207	Grease Zerk, MP02 x 90	1
388	Z29302	Straight, FP x FFX 0202	2
389	Z29307	Elbow 90 MP x FFX 0202	2
390	Z29311	Straight, MP x FFX 0202	1
391	Z29313b	1/4" Grease Whip, MP02 x MP02 x 16"	1
392	Z46594	Blind Chipper Key 1/4 x 1-1/4	1
393	Z51657	Elbow 90, MORB x MJIC 0404	1
394	Z51658	Elbow 90 MJIC x MORB 0810	2
395	Z54201	Geroller Motor, 315C4UE	1
396	Z71230	Hex Bolt, 5/16NC x 3	1
397	Z71515	Hex Bolt, 1/2NC x 1-1/2	2
398	Z72251	Hex Lock Nut, 1/2NC	8
399	Z74122	Set Screw, 5/16NF	1
400	Z762510	Carriage Bolt, 1/2NC x 3-1/2	4
401	Z76258	Carriage Bolt, 1/2NC x 1-3/4	4
402	Z79462	Double Hose Clamp 1/2"	1
403	Z79463	Double Hose Clamp 1 1/16"	1
404	Z92313b	1/4" Grease Whip, MP02 x MP02 x 16"	1

**Seal Kit for
#Z54201 Geroller Motor, 315C4UE
SK MLHR-U/D,E**

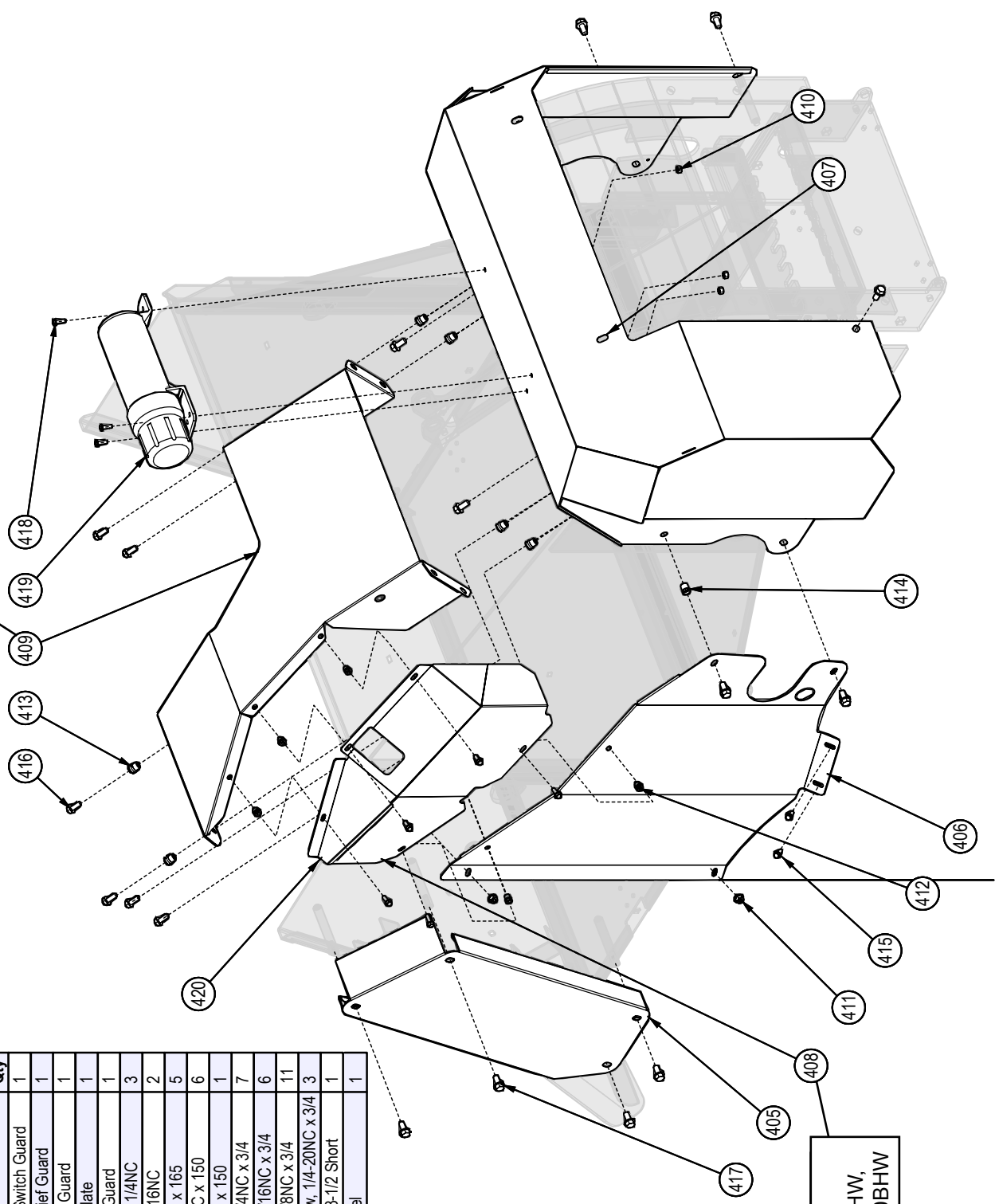


Hopper Roller Shrouding

BOM ID	Part #	Description	Qty
405	1060L302	CR100 Feed Switch Guard	1
406	1060L318	Crossover Relief Guard	1
407	1060W122	CR100 Bridge Guard	1
408	1083L106	Valve Cover Plate	1
409	1083L107	CR100 Valve Guard	1
410	Z72211	Hex Lock Nut, 1/4NC	3
411	Z72521	Flange Nut, 5/16NC	2
412	Z72955	Riv-Nut 1/4NC x 165	5
413	Z72956	Riv-Nut 5/16NC x 150	6
414	Z72958	Riv-Nut 3/8NC x 150	1
415	Z76111	Flange Bolt, 1/4NC x 3/4	7
416	Z76121	Flange Bolt, 5/16NC x 3/4	6
417	Z76133	Flange Bolt, 3/8NC x 3/4	11
418	Z78301	Machine Screw, 1/4-20NC x 3/4	3
419	Z96503	Manual Tube 3-1/2 Short	1
420	1083L110	Option Channel	1

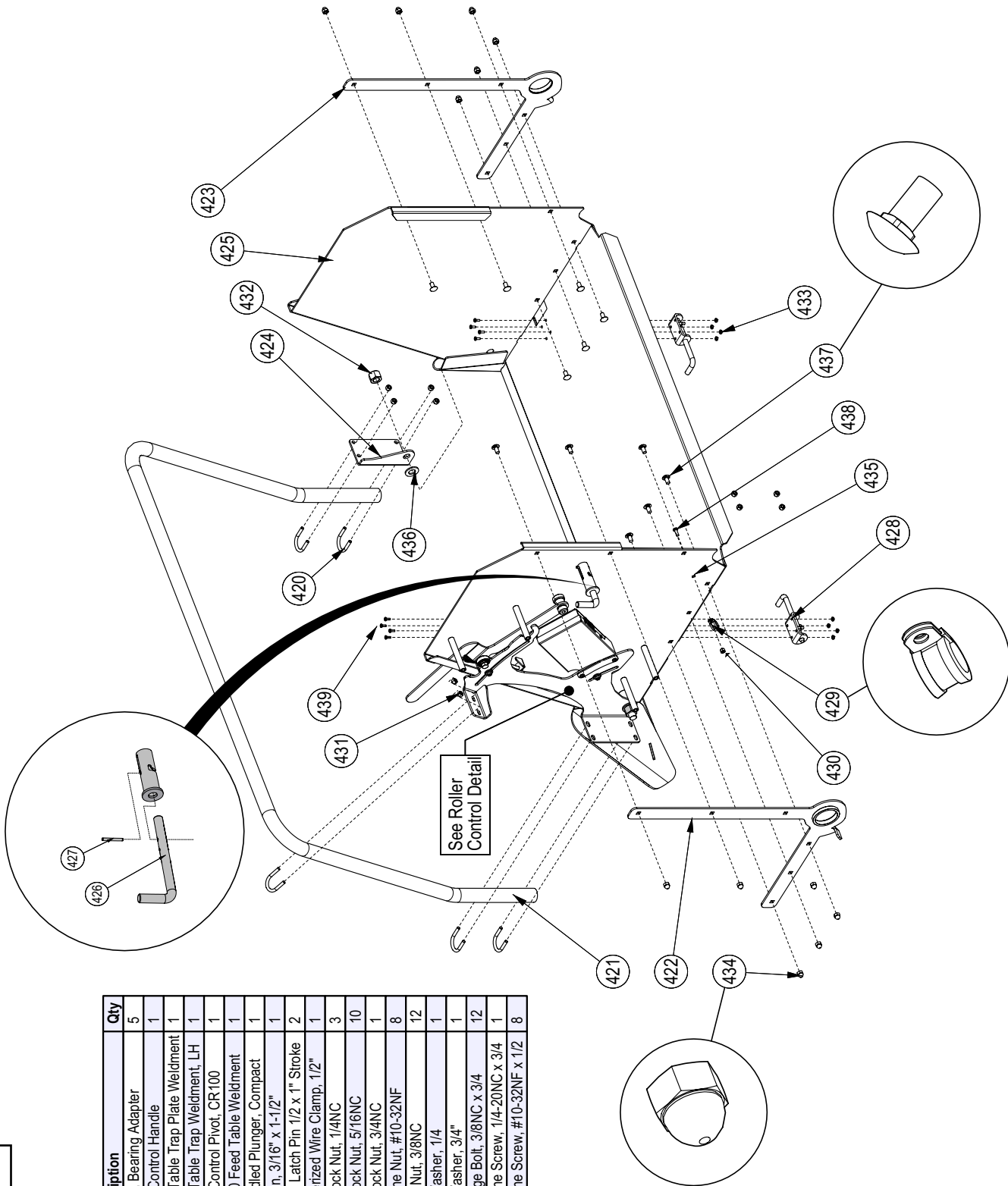
for Model
CR100H, CR100HW, CR100BH & CR100BHW

for Model
CR100H, CR100HW,
CR100BH & CR100BHW



Feed Table

BOM ID	Description	Qty
420	U-bolt, Bearing Adapter	5
421	Feed Control Handle	1
422	Feed Table Trap Plate Weldment	1
423	Feed Table Trap Weldment, LH	1
424	Feed Control Pivot, CR100	1
425	CR100 Feed Table Weldment	1
426	L Handled Plunger, Compact	1
427	Roll Pin, 3/16" x 1-1/2"	1
428	Spring Latch Pin 1/2 x 1" Stroke	2
429	Rubberized Wire Clamp, 1/2"	1
430	Hex Lock Nut, 1/4NC	3
431	Hex Lock Nut, 5/16NC	10
432	Hex Lock Nut, 3/4NC	1
433	Machine Nut, #10-32NF	8
434	Acorn Nut, 3/8NC	12
435	Flat Washer, 1/4	1
436	Flat Washer, 3/4"	1
437	Carriage Bolt, 3/8NC x 3/4	12
438	Machine Screw, 1/4-20NC x 3/4	1
439	Machine Screw, #10-32NF x 1/2	8

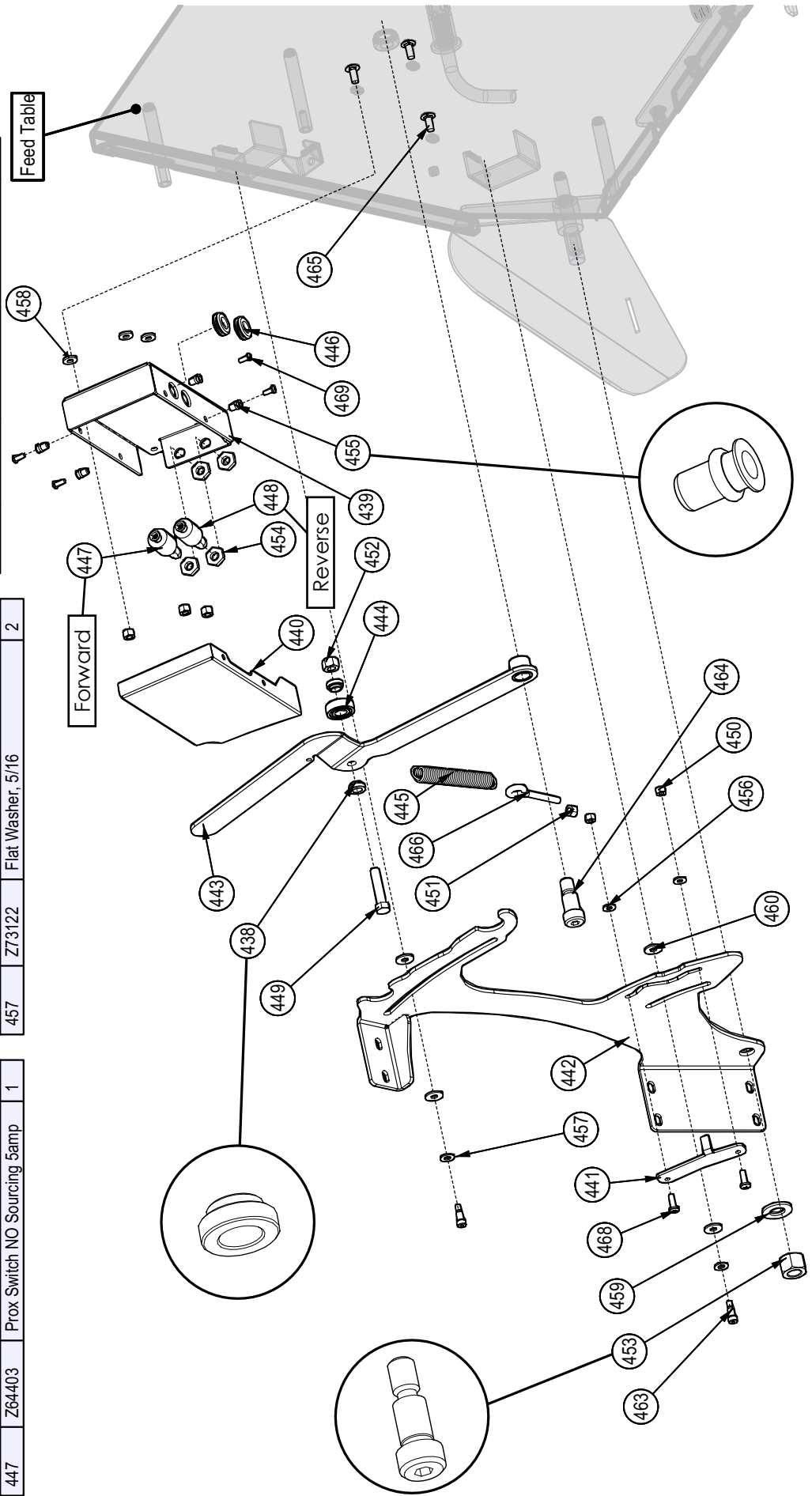


Feed Roller Control Detail

BOM ID	Part #	Description	Qty
438	1015M537	Bushing, Bearing	2
439	1060L301	Switch Mount Plate, CR100	1
440	1060L303	Sensor Box Lid, CR100	1
441	1060L304	Feed Pickup Trigger, CR100	1
442	1060L305	CR100 Control Base Pivot Link	1
443	1060W302	Detent Reset Weldment, CR100	1
444	Z12103	Ball Bearing 6202 2RS	1
445	Z31401	Spring 3/4 x 4" Heavy	1
446	Z62823	Rubber Grommet 3/4 x 1/8	2
447	Z64403	Prox Switch NO Sourcing 5amp	1

BOM ID	Part #	Description	Qty
448	Z64405	Prox Switch NO Sinking 5amp	1
449	Z71420	Hex Bolt, 7/16NC x 2	1
450	Z72211	Hex Lock Nut, 1/4NC	2
451	Z72221	Hex Lock Nut, 5/16NC	4
452	Z72241	Hex Lock Nut, 7/16NC	1
453	Z72271	Hex Lock Nut, 3/4NC	1
454	Z72357	Brass Jam Nut, 9/16-18NF	4
455	Z72954	Riv-Nut #10-32NF - 130	4
456	Z73111	Flat Washer, 1/4	2
457	Z73122	Flat Washer, 5/16	2

BOM ID	Part #	Description	Qty
458	Z73123	Rubber Flat Washer, 5/16 x 0.093"	3
459	Z73171	Flat Washer, 3/4"	1
460	Z73222	PTFE Flat Washer, 5/16 x 0.080"	4
463	Z75522	Shoulder Bolt, 5/16 x 1/2"	2
464	Z75574	Shoulder Bolt, 3/4 x 1	1
465	Z76221	Carriage Bolt, 5/16NC x 3/4	3
466	Z76522	Eye Bolt 5/16NC x 2	1
468	Z78301	Machine Screw, 1/4-20NC x 3/4	2
469	Z78303	Machine Screw, #10-32NF x 1/2	4

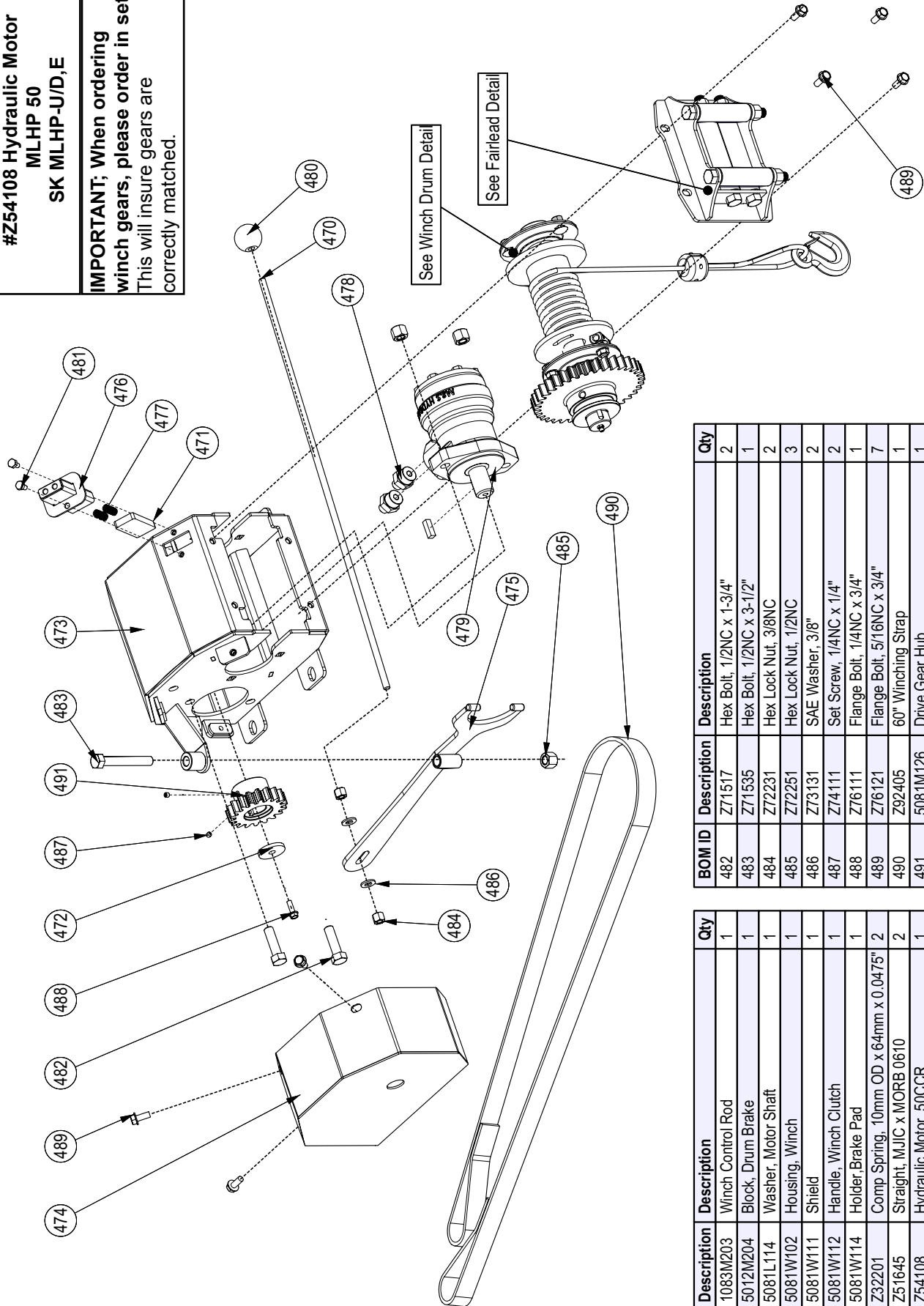


Winch

for Model
CR100HW, CR100BHW

**Seal Kit for
#Z54108 Hydraulic Motor
MLHP 50
SK MLHP-U/D,E**

**IMPORTANT; When ordering
winch gears, please order in sets:
This will insure gears are
correctly matched.**

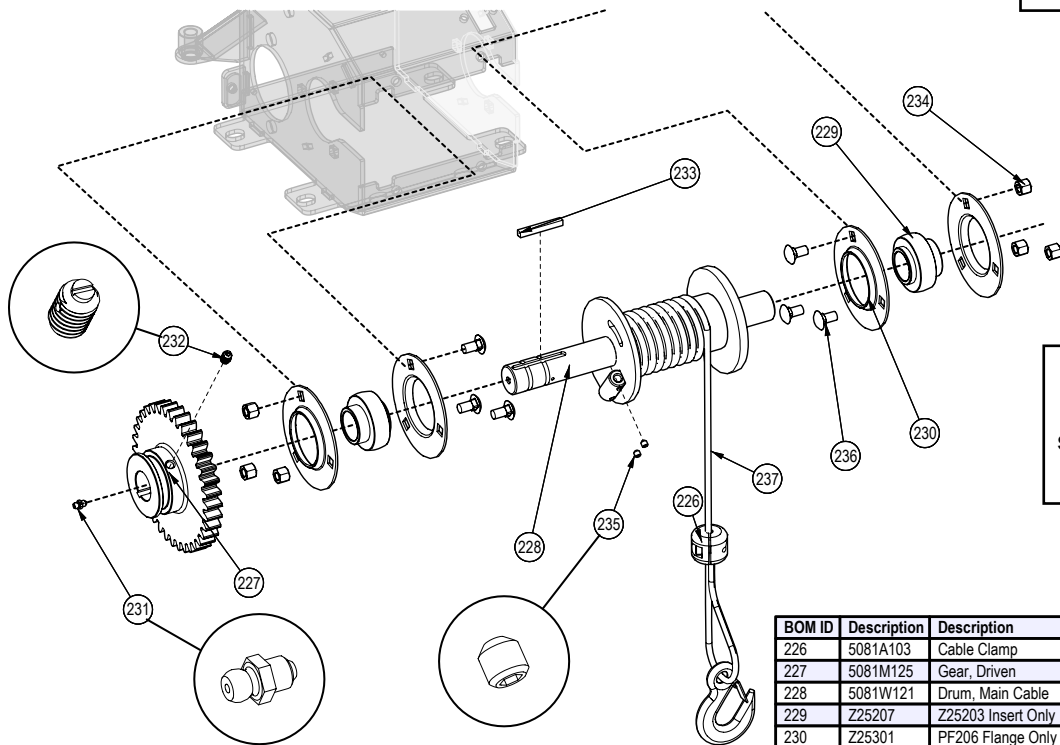


BOM ID	Description	Description	Qty
482	Z71517	Hex Bolt, 1/2NC x 1-3/4"	2
483	Z71535	Hex Bolt, 1/2NC x 3-1/2"	1
484	Z72231	Hex Lock Nut, 3/8NC	2
485	Z72251	Hex Lock Nut, 1/2NC	3
486	Z73131	SAE Washer, 3/8"	2
487	Z74111	Set Screw, 1/4NC x 1/4"	2
488	Z76111	Flange Bolt, 1/4NC x 3/4"	1
489	Z76121	Flange Bolt, 5/16NC x 3/4"	7
490	Z92405	60" Winching Strap	1
491	5081M126	Drive Gear Hub	1

BOM ID	Description	Description	Qty
470	1083M203	Winch Control Rod	1
471	5012M204	Block, Drum Brake	1
472	5081L114	Washer, Motor Shaft	1
473	5081W102	Housing, Winch	1
474	5081W111	Shield	1
475	5081W112	Handle, Winch Clutch	1
476	5081W114	Holder/Brake Pad	1
477	Z32201	Comp Spring, 10mm OD x 64mm x 0.0475"	2
478	Z51645	Straight, M.J.I.C. x MORE 0610	2
479	Z54108	Hydraulic Motor, 50CCR	1
480	Z56914	Handle Kit, Knob	1
481	Z71105	Hex Bolt, 1/4NC x 1/2"	2

Winch Drum Detail

for Model
CR100HW, CR100BHW

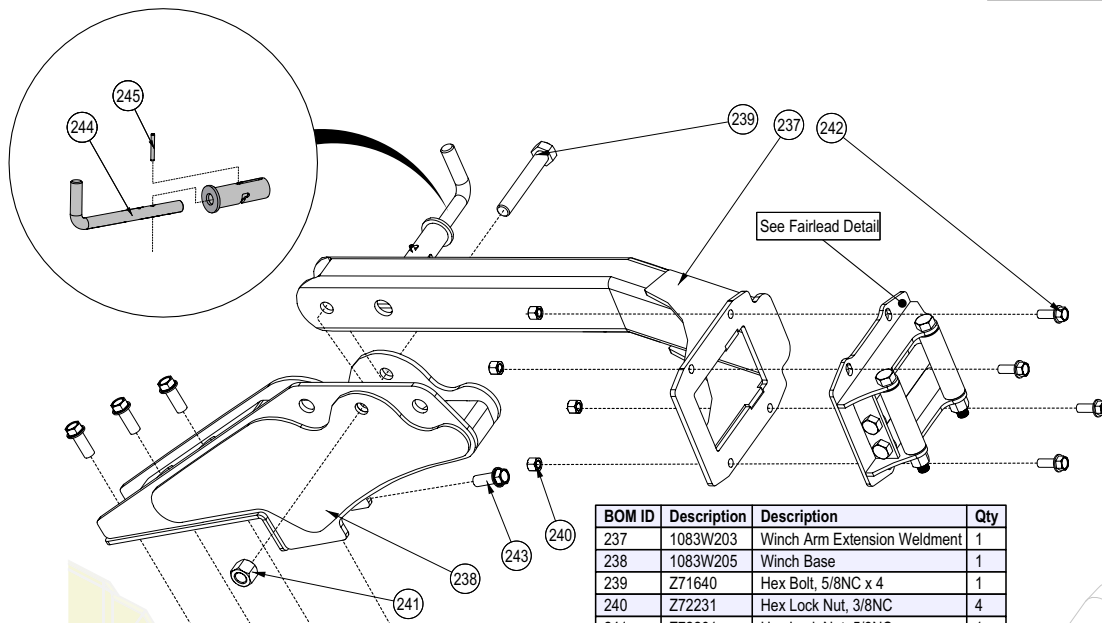


IMPORTANT; When ordering winch gears, please order in sets: This will insure gears are correctly matched.

BOM ID	Description	Description	Qty
226	5081A103	Cable Clamp	1
227	5081M125	Gear, Driven	1
228	5081W121	Drum, Main Cable	1
229	Z25207	Z25203 Insert Only	2
230	Z25301	PF206 Flange Only	4
231	Z29202	Grease Zerker 1/4NF	1
232	Z34302	Spring Plunger, 3/8NC x 5/8" x 21 lbs	1
233	Z46531	Key, 1/4 x 1/4 x 2	1
234	Z72231	Hex Lock Nut, 3/8NC	6
235	Z74111	Set Screw, 1/4NC x 1/4"	2
236	Z76233	Carriage Bolt, 3/8NC x 3/4"	6
237	Z92112	Synthetic Winch Rope 1/4 x 50' with Hook	1

Winch Arm Ass'y

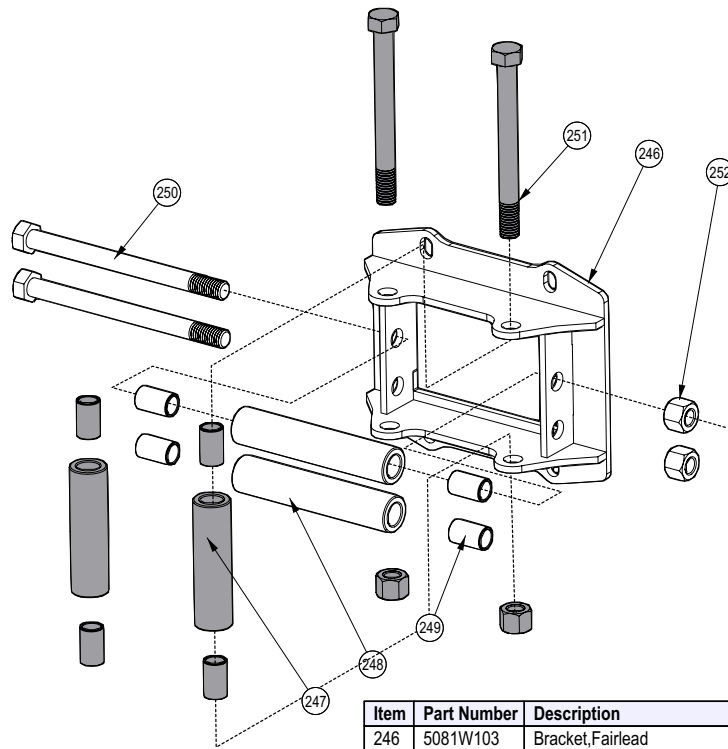
for Model
CR100HW, CR100BHW



BOM ID	Description	Description	Qty
237	1083W203	Winch Arm Extension Weldment	1
238	1083W205	Winch Base	1
239	Z71640	Hex Bolt, 5/8NC x 4	1
240	Z72231	Hex Lock Nut, 3/8NC	4
241	Z72261	Hex Lock Nut, 5/8NC	1
242	Z76134	Flange Bolt, 3/8NC x 1	4
243	Z76152	Flange Bolt, 1/2NC x 1-1/4	3
244	1061M108	L Handled Plunger, Compact	1
245	Z14151	Roll Pin, 3/16" x 1-1/2"	1

Fairlead Ass'y Detail

for Model
CR100HW, CR100BHW

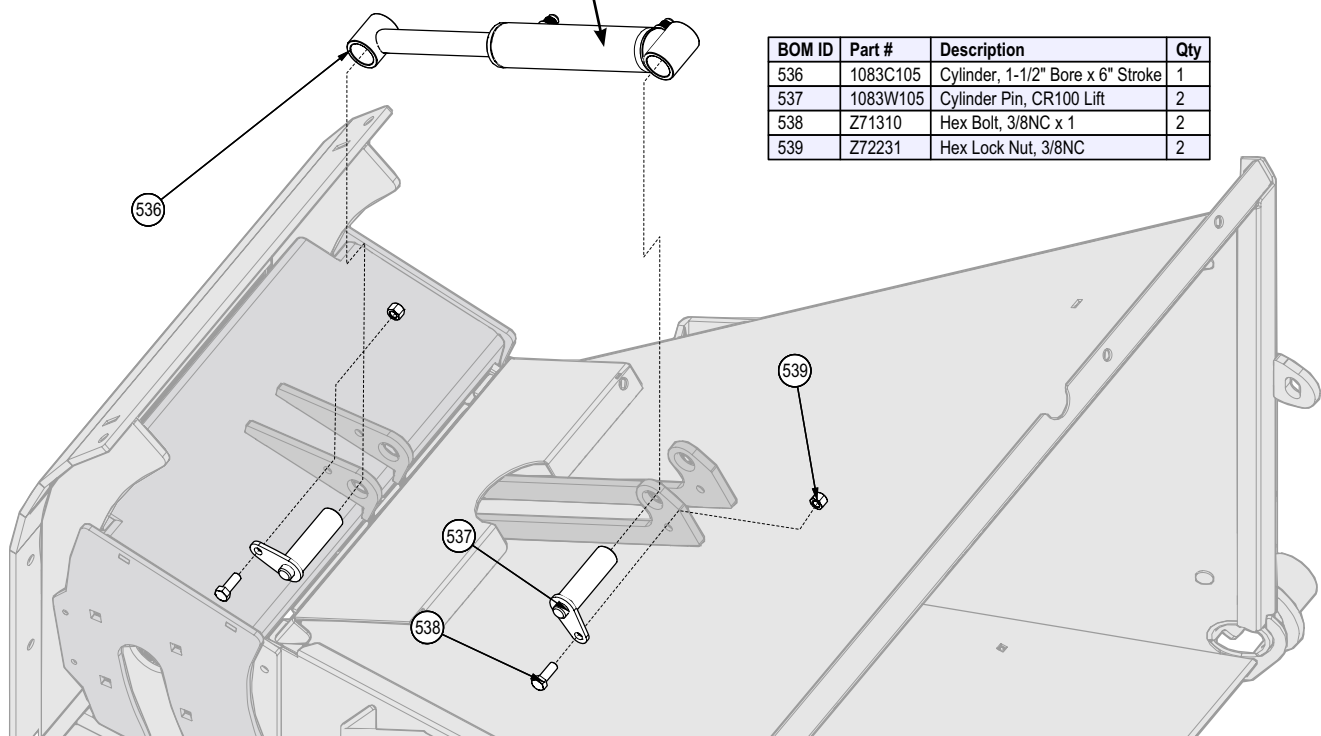


Item	Part Number	Description	Qty
246	5081W103	Bracket, Fairlead	1
247	5081M109	Bushing, Fairlead Side	2
248	5081M111	Bushing, Fairlead Top	2
249	Z27103	Fiberglide Bearing 1/2" x 1"	8
250	Z71566	Hex Bolt, 1/2NC x 6-1/4, 5-1/4 Shank	2
251	Z71567	Hex Bolt, 1/2NC x 5, 4" Shank	2
252	Z72251	Hex Lock Nut, 1/2NC	4

Roller Lift Hydraulic Cylinder

for Model
CR100H, CR100BH, CR100HW,
CR100BHW

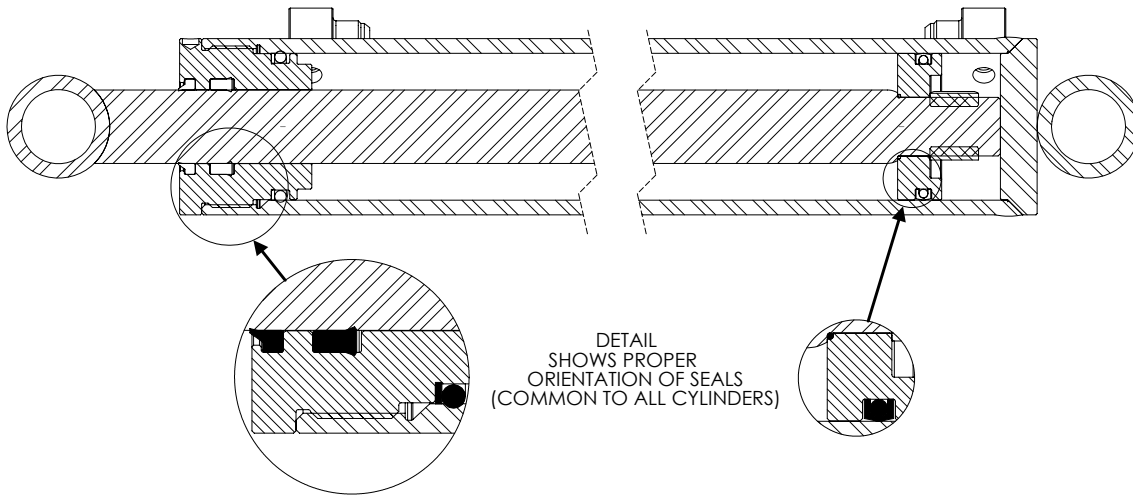
See Cylinder Detail



BOM ID	Part #	Description	Qty
536	1083C105	Cylinder, 1-1/2" Bore x 6" Stroke	1
537	1083W105	Cylinder Pin, CR100 Lift	2
538	Z71310	Hex Bolt, 3/8NC x 1	2
539	Z72231	Hex Lock Nut, 3/8NC	2

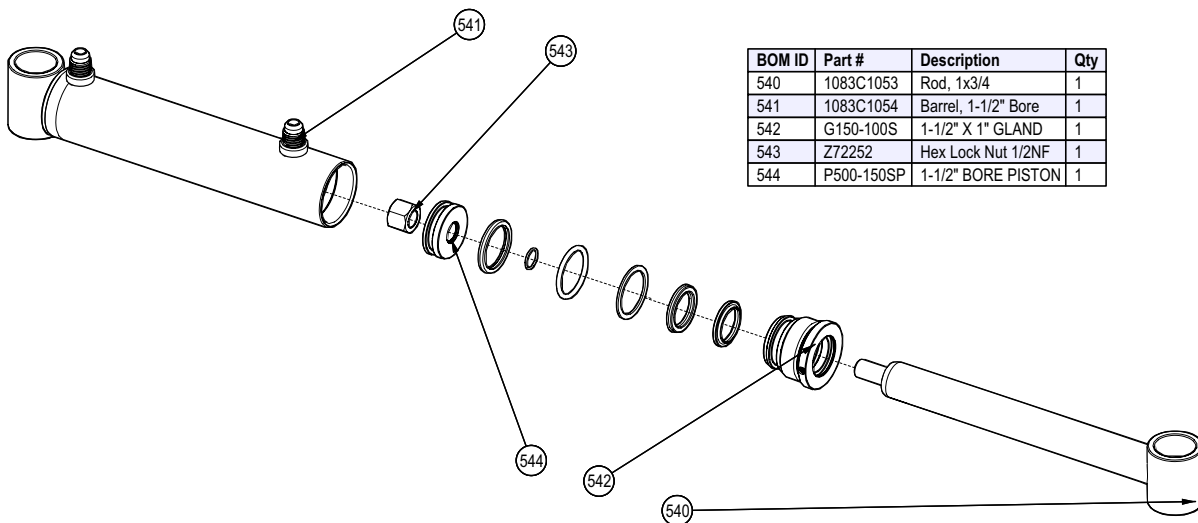
Cylinder Seal Installation

for Model
CR100H, CR100BH, CR100HW,
CR100BHW



Roller Lift Hydraulic Cylinder Detail

for Model
CR100H, CR100BH, CR100HW,
CR100BHW

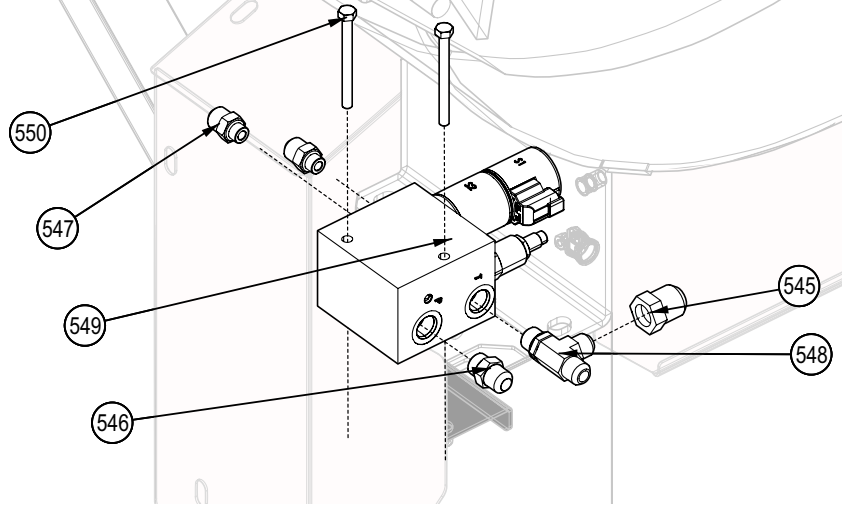


BOM ID	Part #	Description	Qty
540	1083C1053	Rod, 1x3/4	1
541	1083C1054	Barrel, 1-1/2" Bore	1
542	G150-100S	1-1/2" X 1" GLAND	1
543	Z72252	Hex Lock Nut 1/2NF	1
544	P500-150SP	1-1/2" BORE PISTON	1

IntelliFeed Manifold Ass'y

for Model
CR100H, CR100BH, CR100HW,
CR100BHW

BOM ID	Part #	Description	Qty
545	Z51498	Straight, FJIC x MJIC 0812	1
546	Z51643	#8ORB x #8JIC	1
547	Z51649	Straight, MJIC x MORB 0806	2
548	Z51673	Tee, MJIC x MORB x MJIC 080808	1
549	Z56508	CR IntelliFEED Manifold 6gpm	1
550	Z71235	Hex Bolt, 5/16NC x 3-1/2	2

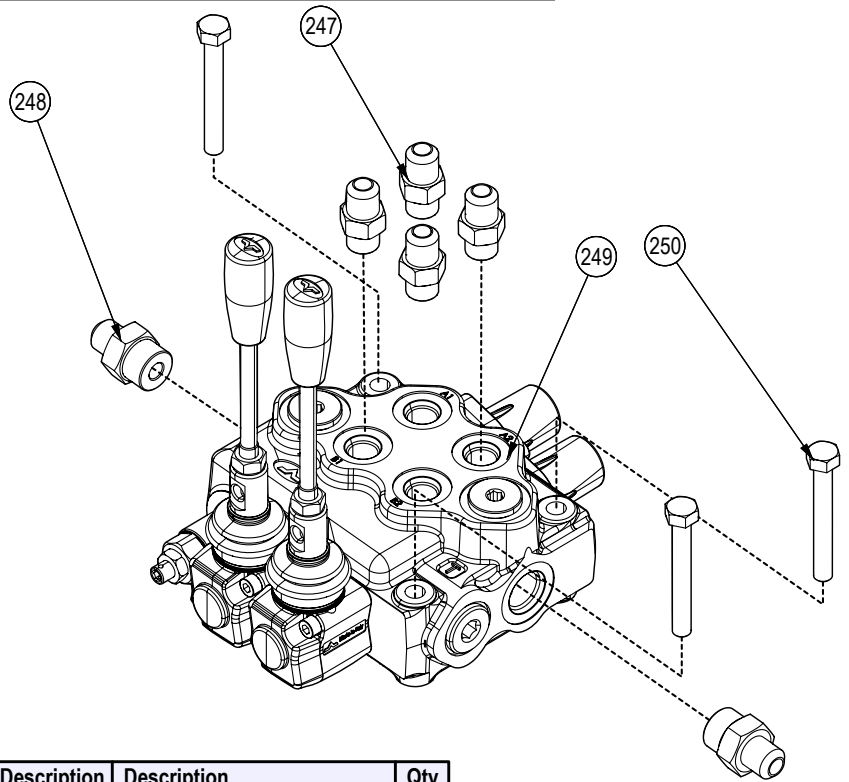


Winch and Roller Lift Hydraulic Controls

for Model
CR100H, CR100BH, CR100HW,
CR100BHW

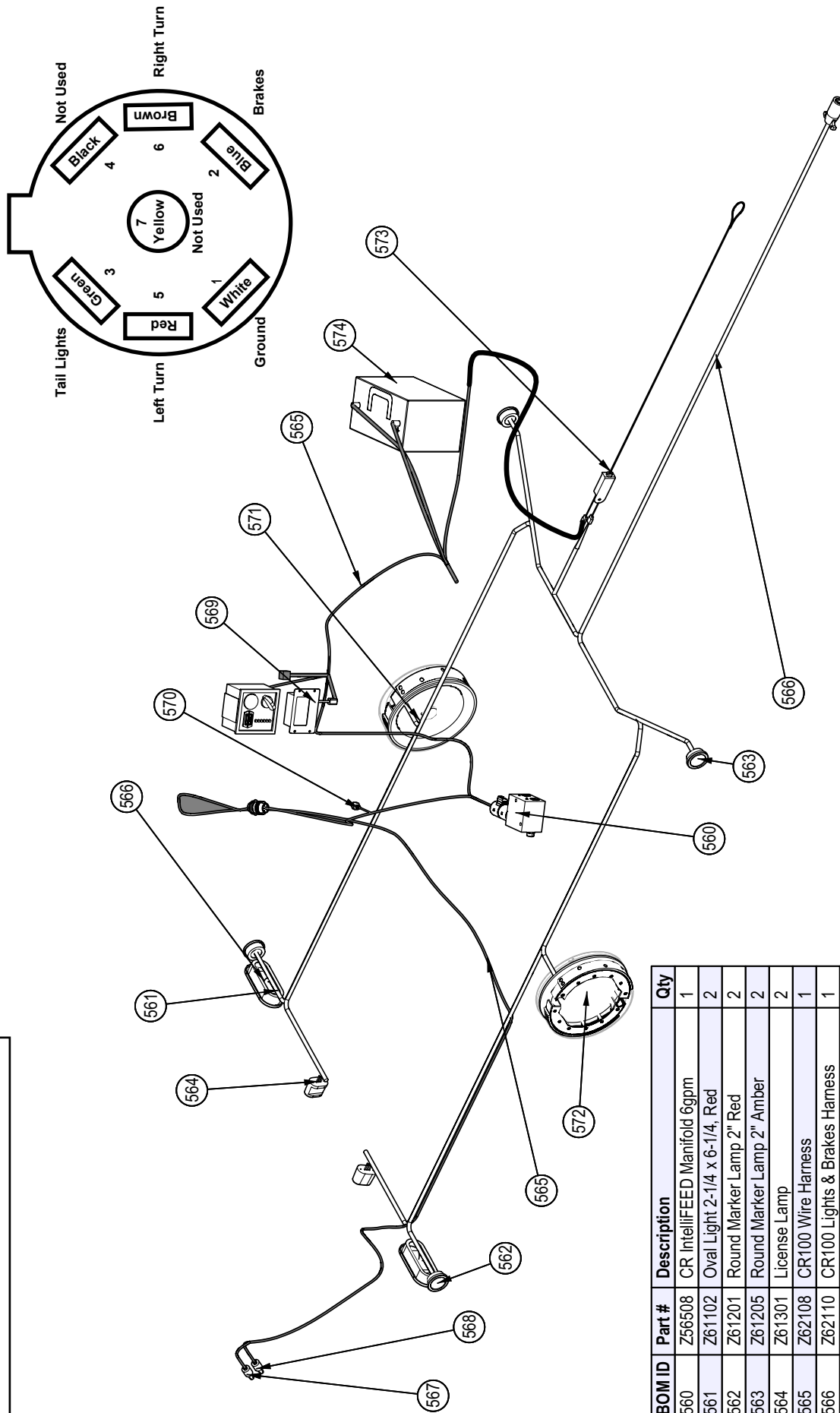
Seal and Replacement Kits

1x SK SD5/1	Complete seal kit for your part #Z56216)
1x SK SD5/2	Complete seal kit for your part #Z56219)
1x L5(M8)	Lever box



BOM ID	Description	Description	Qty
247	Z51641	#6ORB x #6JIC	4
248	Z51644	Straight, MJIC x MORB 0608	2
249	Z56218	Two Spool Valve, VC x 12GPM	1
250	Z71225	Hex Bolt, 5/16NC x 2-1/2"	3

Intellifeed Wiring Harness & Lights and Brakes Wiring Harness



BOM ID	Part #	Description	Qty
560	Z56508	CR IntelliFEED Manifold 6gpm	1
561	Z61102	Oval Light 2-1/4 x 6-1/4, Red	2
562	Z61201	Round Marker Lamp 2" Red	2
563	Z61205	Round Marker Lamp 2" Amber	2
564	Z61301	License Lamp	2
565	Z62108	CR100 Wire Harness	1
566	Z62110	CR100 Lights & Brakes Harness	1
567	Z64403	Prox Switch NO Sourcing 5amp	1
568	Z64405	Prox Switch NO Sinking 5amp	1
569	Z66204	Control, IntelliFEED	1
570	Z66210	IntelliFEED Pickup Sensor with 68" Lead	1
571	Z91702	Electric Brake, 2x12 LH	1
572	Z91712	Electric Brake, 2x12 RH	1
573	Z91713	Breakaway Safety Switch	1
574	Z93217	Battery 31A-950	1

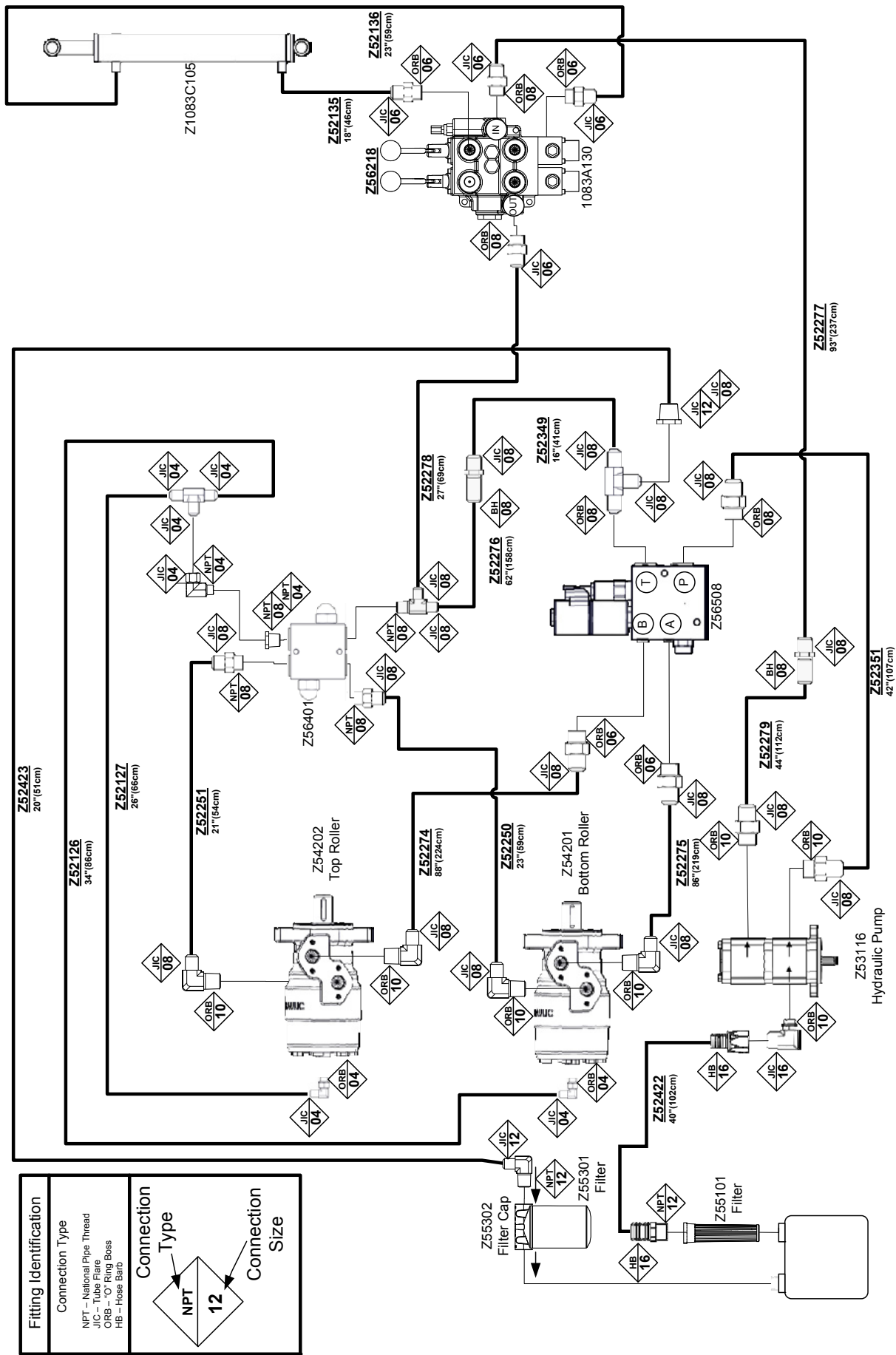
Light Bulb Replacement	
Part #	Description
	replacement
Z61201	Round Marker Lamp 2" Red
Z61205	Round Marker Lamp 2" Amber
Z61102	Oval Light 2-1/4 x 6-1/4, Red
Z61301	License Lamp
	replacement bulb #67

Hydraulic Hose Parts List

The Chart below is a complete list of hydraulic hoses for all models of the CR100. For information on your model and its hose connections please review the hydraulic schematics on the following pages.

PART NUMBER	DESCRIPTION	QTY	MODEL
Z52121	1/4"Hose, FJIC06 x 90FJIC06 x 28"	2	CR100HW & CR100BHW
Z52126	1/4"Hose, FJIC04 x 90FJIC04 x 34"	1	All Models
Z52127	1/4"Hose, FJIC04 x 90FJIC04 x 26"	1	All Models
Z52135	1/4"Hose, FJIC06 x 90FJIC06 x 18"	1	CR100H & CR100BH CR100HW & CR100BHW
Z52136	1/4"Hose, FJIC06 x 90FJIC06 x 23"	1	CR100H & CR100BH CR100HW & CR100BHW
Z52250	3/8"Hose, FJIC08 x 90FJIC08 x 23"	1	All Models
Z52251	3/8"Hose, FJIC08 x 90FJIC08 x 21"	1	CR100H & CR100BH CR100HW & CR100BHW
Z52274	3/8"Hose, FJIC08 x FJIC08 x 88"	1	All Models
Z52275	3/8"Hose, FJIC08 x FJIC08 x 86"	1	All Models
Z52276	3/8"Hose, FJIC08 x FJIC08 x 62"	1	All Models
Z52277	3/8"Hose, FJIC08 x 45FJIC06 x 93"	1	CR100H & CR100BH CR100HW & CR100BHW
Z52278	3/8"Hose, FJIC08 x 45FJIC06 x 27"	1	CR100H & CR100BH CR100HW & CR100BHW
Z52279	3/8"Hose, FJIC08 x 90FJIC08 x 44"	1	CR100H & CR100BH CR100HW & CR100BHW
Z52349	1/2"Hose, FJIC08 x FJIC08 x 16"	1	All Models
Z52351	1/2"Hose, FJIC08 x 90FJIC08 x 42"	1	All Models
Z52423	3/4"Hose, FJIC12 x 90FJIC12 x 20"	1	All Models

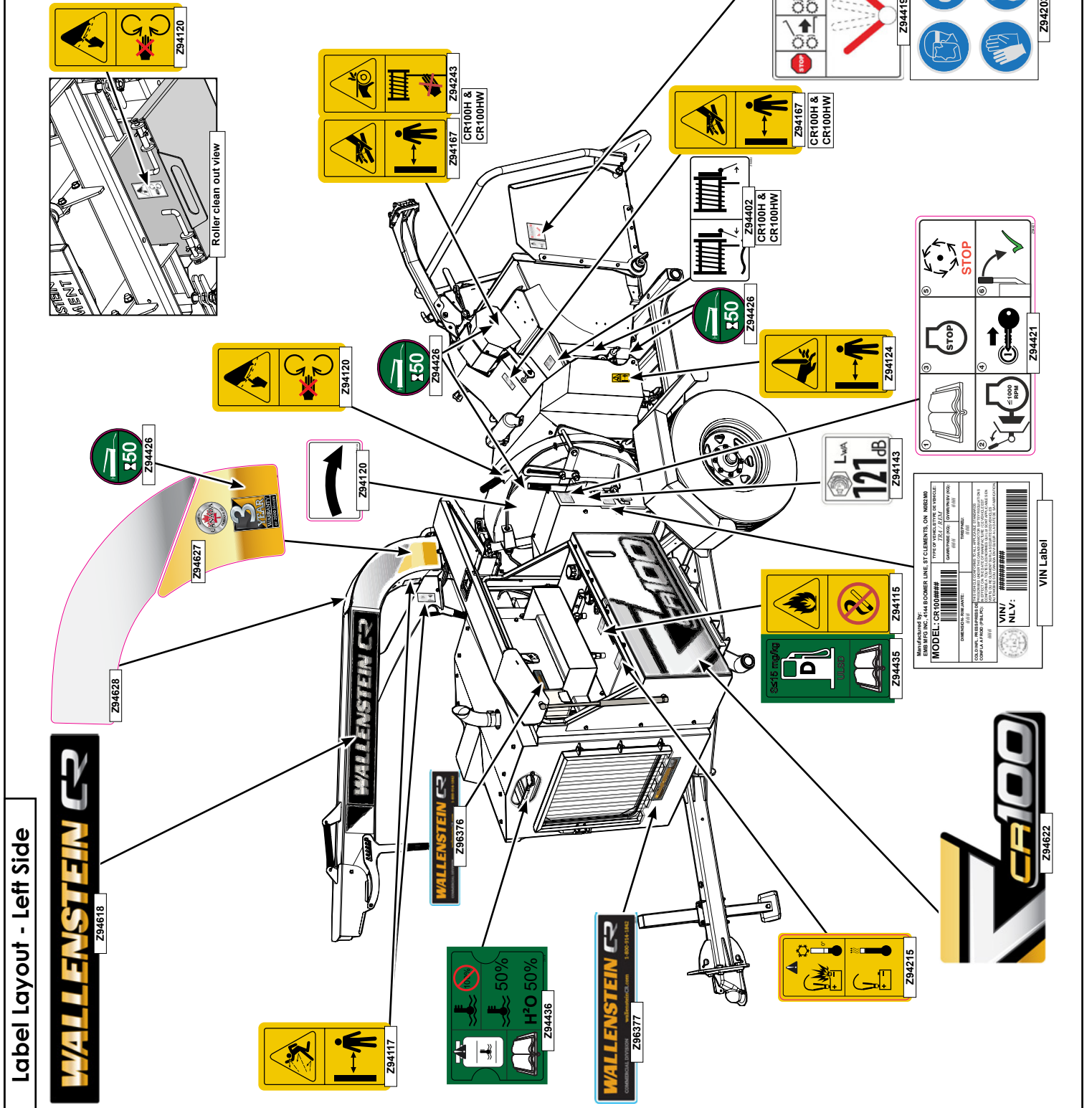
Hydraulic Schematic CR100H & CR100BH



Fitting Identification	
Connection Type	NPT - National Pipe Thread JIC - Tube Flare ORB - "O" Ring Boss HB - Hose Barb
Connection Type	
Connection Size	

CR100: LABEL PART NUMBER AND DESIGNATION LIST				
Prt. No	Description	CR100 & CR100B	CR100HW & CR100BHW	CR100H & CR100BH
Z94622	CR100 TOOLBOX CR100	1	1	1
Z94623	CR100 ENGINE DOOR CR100	1	1	1
Z94115	FIRE HAZARD – NO SMOKING	2	2	2
Z94435	ULSD DEISEL FUEL LABEL	1	1	1
Z94116	DRIVELINE – ARM ENTANGLEMENT HAZARD – KEEP HANDS AWAY	2	2	2
Z94167	HYDRAULIC RUPTURE HAZARD – KEEP BACK	5	8	7
Z94117	FLYING OBJECT HAZARD – KEEP BACK	4	4	4
Z94119	HAZARD – READ MANUAL	1	1	1
Z94228	REMOVE IGNITION KEY	1	1	1
Z94120	ROTATING CUTTER HAZARD – KEEP HANDS AWAY	6	6	6
Z94127	DRIVELINE – HAND ENTANGLEMENT HAZARD – KEEP HANDS AWAY	1	1	1
Z94143	NOISE – 121DB NOISE	1	1	1
Z94207	ENTANGLEMENT HAZARD – DO NOT CLIMB IN HOPPER	4	4	4
Z94209	COUNTER CLOCKWISE ROTATION – ROUND	1	1	1
Z94215	FROZEN BATTERY HAZARD	1	1	1
Z94414	ROLLER FEED CHIPPER – FEED CONTROL RH	1	1	1
Z94422	FEED CONTROL LOCK	1	1	1
Z94238	150 MM (6.0) MAX MATERIAL CAUTION DECAL	2	2	2
Z94203	PROTECTION EQUIPMENT	2	2	2
Z94119	ROLLER FEED CHIPPER – FEED CONTROL LH	1	1	1
Z94421	ROTOR LOCK	1	1	1
Z94618	CR100 L&R CHUTE MID. WALLENSTEIN	2	2	2
Z94619	CR100 CONTROL PANEL WALLENSTEIN	1	1	1
Z94620	CR100 TABLE BOTTOM WALLENSTEIN	1	1	1
Z94621	CR100 INTELLIFEED	1	1	1
Z94416	CR100 STARTING / OPERATING / STOPPING INSTRUCTIONS	1	1	1
Z94625	CR100 CHUTE RIGHT BOTTOM GOLD	1	1	1
	Z94617 MADE IN CANADA 3" DIA" ON Z94625	1	1	1
	Z94630 3 YEAR WARRANTY DECAL ON Z94625	1	1	1
Z94627	CR100 CHUTE LEFT BOTTOM GOLD	1	1	1
	Z94617 MADE IN CANADA 3" DIA" ON Z94627	1	1	1
	Z94630 3 YEAR WARRANTY DECAL ON Z94627	1	1	1
	Z94426 GREASE 50HRS LABEL ON Z94627	1	1	1
Z94626	CR100 CHUTE RIGHT ELBOW SILVER	1	1	1
Z94628	CR100 CHUTE LEFT ELBOW SILVER	1	1	1
Z96376	CR MARKETING STICKER 7.0 X 1.5	1	1	1
Z96377	CR MARKETING STICKER 13.0 X 2.5	1	1	1
Z94426	GREASE 50HRS LABEL	7	7	7
Z94144	RH ROTATION DECAL	1	1	1
Z94145	LH ROTATION DECAL	1	1	1
Z94436	ANTIFREEZE LABEL	1	1	1
Z94124	DECAL WARNING LABEL	2	2	2
Z94401	WINCH CONTROL – WIND/UWIND	0	1	0
Z94402	WINCH – FREE WHEEL / ENGAGED	0	2	0
Z94250	WINCH ENTANGLEMENT DECAL HORIZONTAL	0	1	0
Z944243	WINCH ENTANGLEMENT DECAL	0	1	0
Z94415	UPPER ROLLER LIFT CYLINDER – LIFT / CRUSH	0	1	1

REMEMBER - If safety signs have been damaged, removed, become illegible or parts replaced without safety signs, new signs must be applied. New safety signs are available from your authorized dealer.



Accessories

#1012L269



#1012L269 LEDGER CLEARANCE SETTING GAUGE

For **CR100 Series**

An easy and accurate way of setting the critical clearances between the ledger blade and the rotor chipper blade.



#Z97068 CR100 / CR100P COMMERCIAL TRAILER WOOD CHIPPER OPERATOR'S MANUAL

Available as a download at
www.embmfg.com