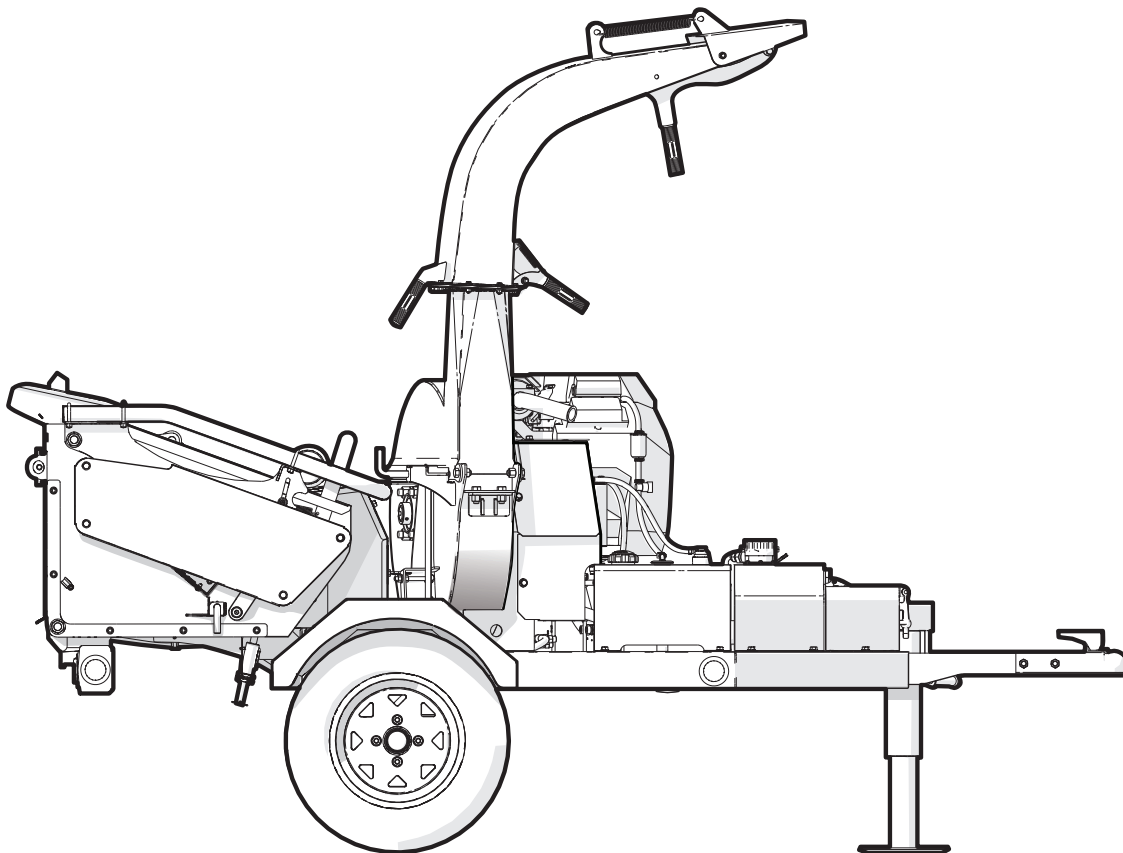


Part Number: 1063T000

PARTS MANUAL

Serial Number 2E9US11121S051001 to 2E9US111XNS051082

BXTR5224 **Trailer Wood Chipper**



WALLENSTEIN

Foreword

This Wallenstein parts manual is prepared to assist customers in ordering quality OEM replacement parts.

Regular maintenance combined with replacing old, worn or broken parts with the correct OEM parts is essential in prolonging the life of your Wallenstein product. Refer to this manual to identify replacement parts.

To order parts, contact your Wallenstein dealer or distributor. Have the product model and serial number handy.

If your dealer is no longer available, please go to our website: <http://wallensteinequipment.com> and click on the [Dealer Locator](#) to find the nearest dealer.

All information contained in this parts manual is current as per the revision date at the bottom of the page. Wallenstein reserves the right to change product specifications at any time without notice.

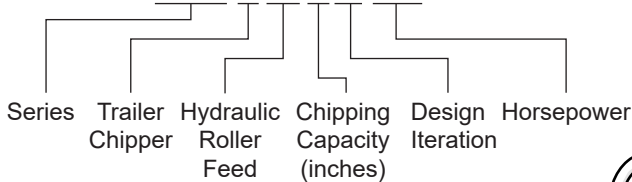
If your product specifications differ from those contained in this manual, contact Wallenstein for current information.

Reproduction of information in this parts manual is prohibited without prior written permission from Wallenstein Equipment Inc.

Wallenstein Equipment Inc. • © 2022

Model Configuration

BXTR5224



! WARNING!

Refer to the operators manual for safe operation and maintenance.

Maintenance should be performed by trained personnel only.

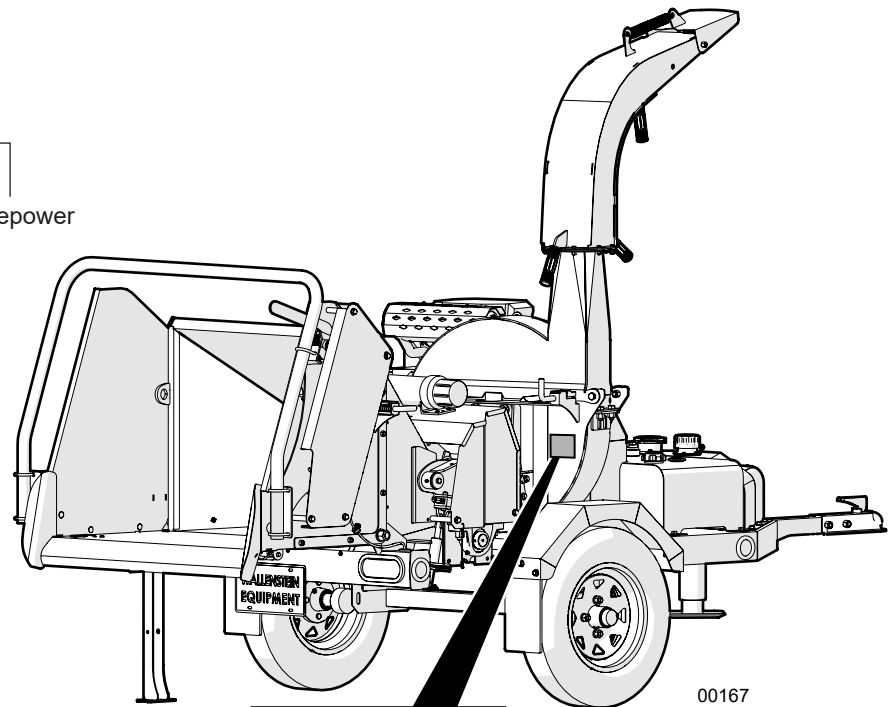
Serial Number Location

Always provide the model and serial number of your Wallenstein product when ordering parts or requesting service or other information. This information is found on the product information plate as shown below.

Record your product information here for future reference.

Model _____

Serial Number _____



00167



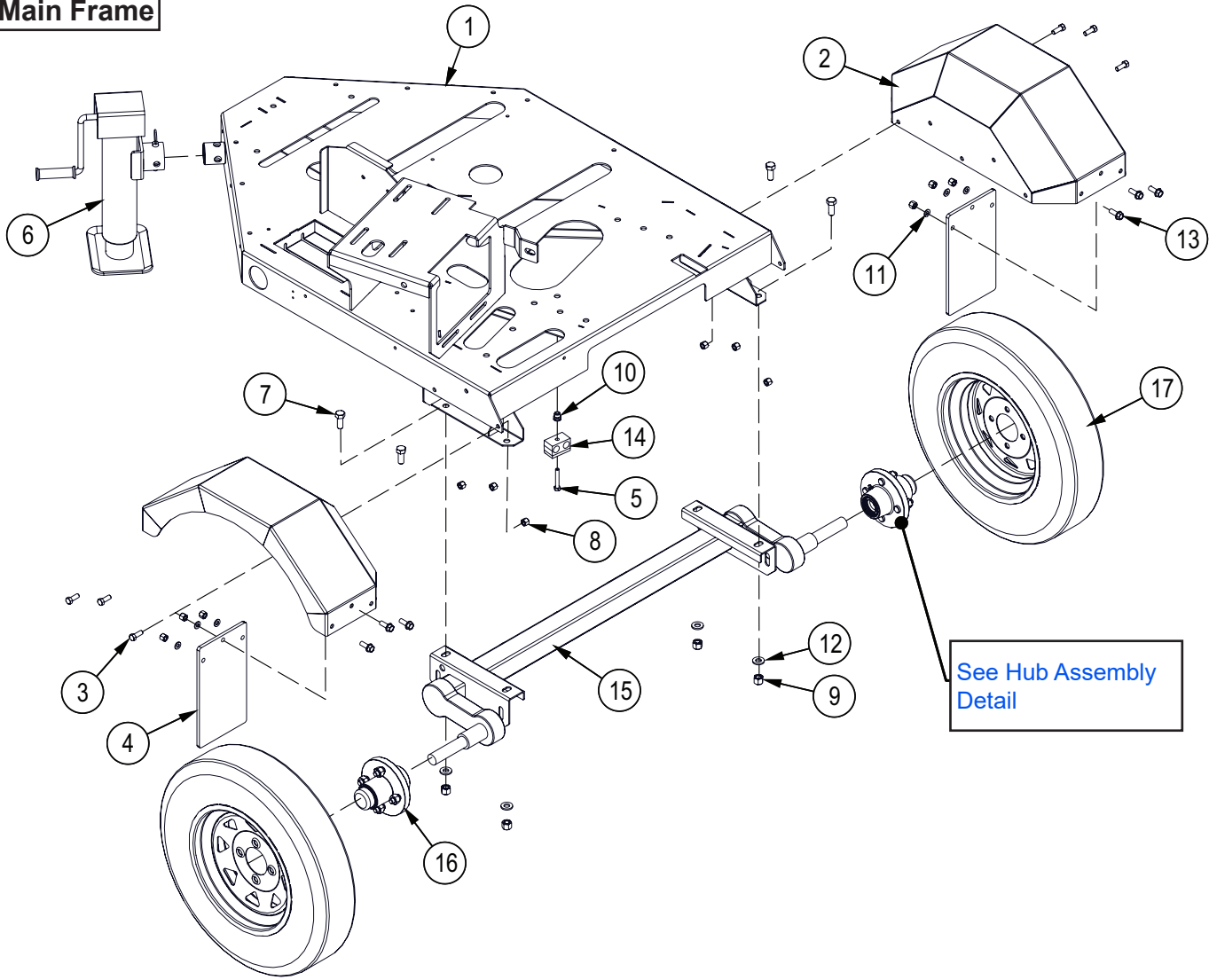
Model and Serial Number Location

www.wallensteinequipment.com

Contents

Main Frame	4
Tongue Assembly	5
Main Frame Shields & Covers – S/N 2E9US11121S051001 to 2E9US1115LS051035	6A
Main Frame Shields & Covers – S/N 2E9US1115LS051036 & Up	6B
Main Frame –Tanks & Battery	7
Fuel Tank	8
Hydraulic Tank	9
Engine & Hydraulic Pump – S/N 2E9US11121S051001 to 2E9US1115LS051035.....	10A
Engine & Hydraulic Pump – S/N 2E9US1115LS051036 to 2E9US1119MS051056.....	10B
Engine & Hydraulic Pump – S/N 2E9US1119MS051057 & Up	10C
Blower Assembly	11
Discharge Chute	12
Rotor Assembly.....	13
Hopper – Bridge Guard	14
Upper Roller	15
Lower Roller	16
Top Link Detail.....	17
Feed Table	18
Feed Roller Control – S/N 2E9US11121S051001 to 2E9US11121S051027	19-A
Feed Roller Control – S/N 2E9US11121S051028 & Up.....	19-B
Hub Assembly	20
Lights & Harness – S/N 2E9US11121S051001 to 2E9US1115LS051035	21A
Lights & Harness – S/N 2E9US1115LS051035 to 2E9US1119MS051056	21B
Lights & Harness – S/N 2E9US1119MS051057 & up.....	21C
Hydraulic Circuit	22
Decal Layout.....	23
Accessories	27
Bolt Torque	28
Hydraulic Fitting Torque.....	29
Wheel Lug Torque.....	29

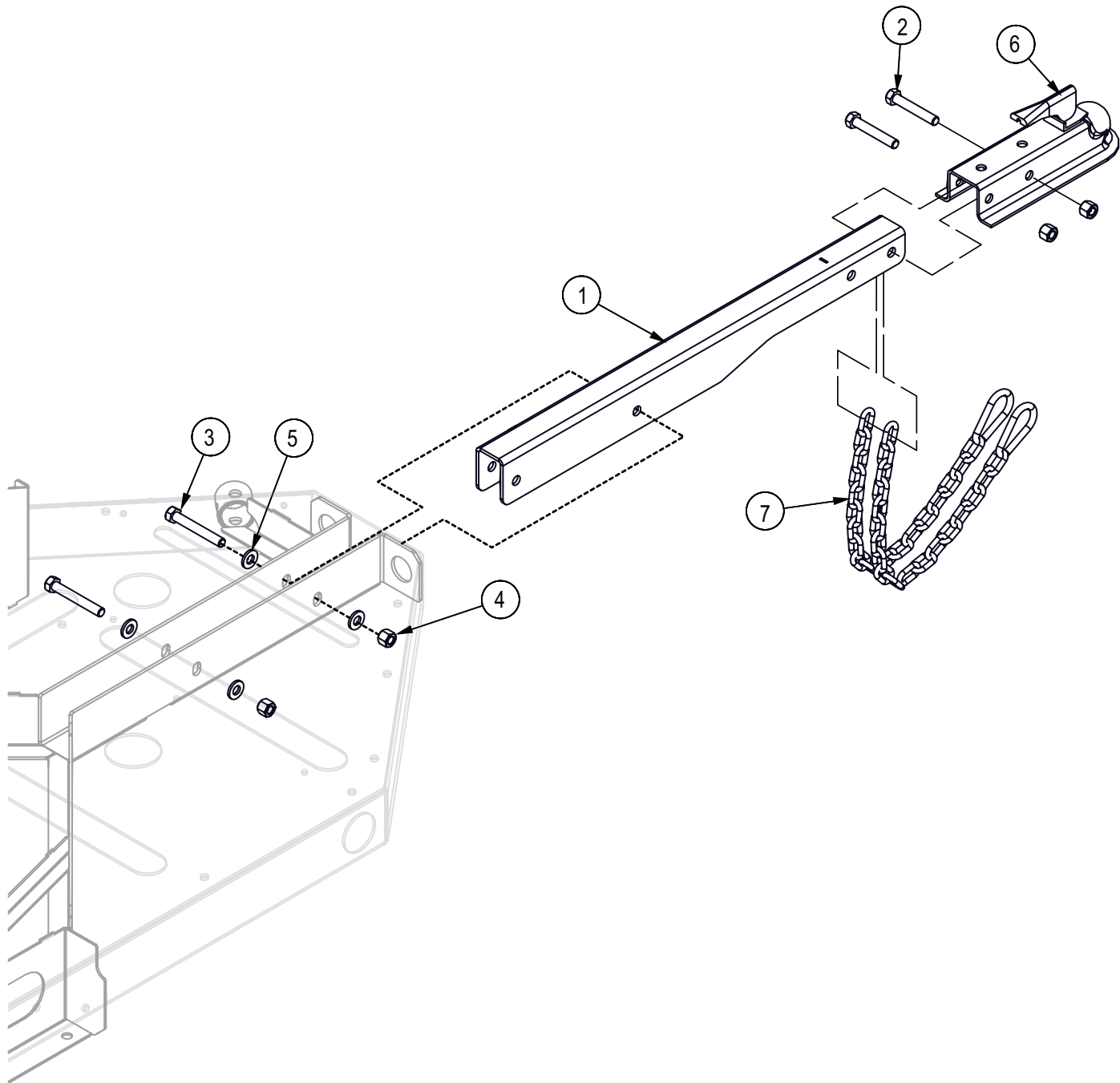
Main Frame



Item No.	Part No.	Description	Qty
1	1063W024	Main BXTR52 Trailer	1
2	1063W008	Fender	2
3	Z71310	Hex Bolt, 3/8NC x 1"	6
4	1063S005	Rain Flap	2
5	Z71220	Hex Bolt, 5/16NC x 2"	1
6	Z91512	Trailer Jack, Side Wind x 2000lbs	1
7	Z71512	Hex Bolt, 1/2NC x 1-1/4"	4
8	Z72231	Hex Lock Nut, 3/8NC	12
9	Z72251	Hex Lock Nut, 1/2NC	4
10	Z72956	Rivet Nut, 5/16NC x 150	1
11	Z73122	SAE Washer, 5/16"	6
12	Z73151	SAE Washer, 1/2"	4
13	Z76134	Flange Bolt, 3/8NC x 1"	6
14	Z79463	Double Hose Clamp, 11/16" OD	1
15	Z91133-1	#9 Full Flex Axle, 1800lbs x 48" HF Axle Only	1
16	Z91206	Idler Hub Assy, 1000lbs x 4on4" x 1-1/16"	2
17	Z91302	5.30-12 LRB SportTrail 4on4"	2

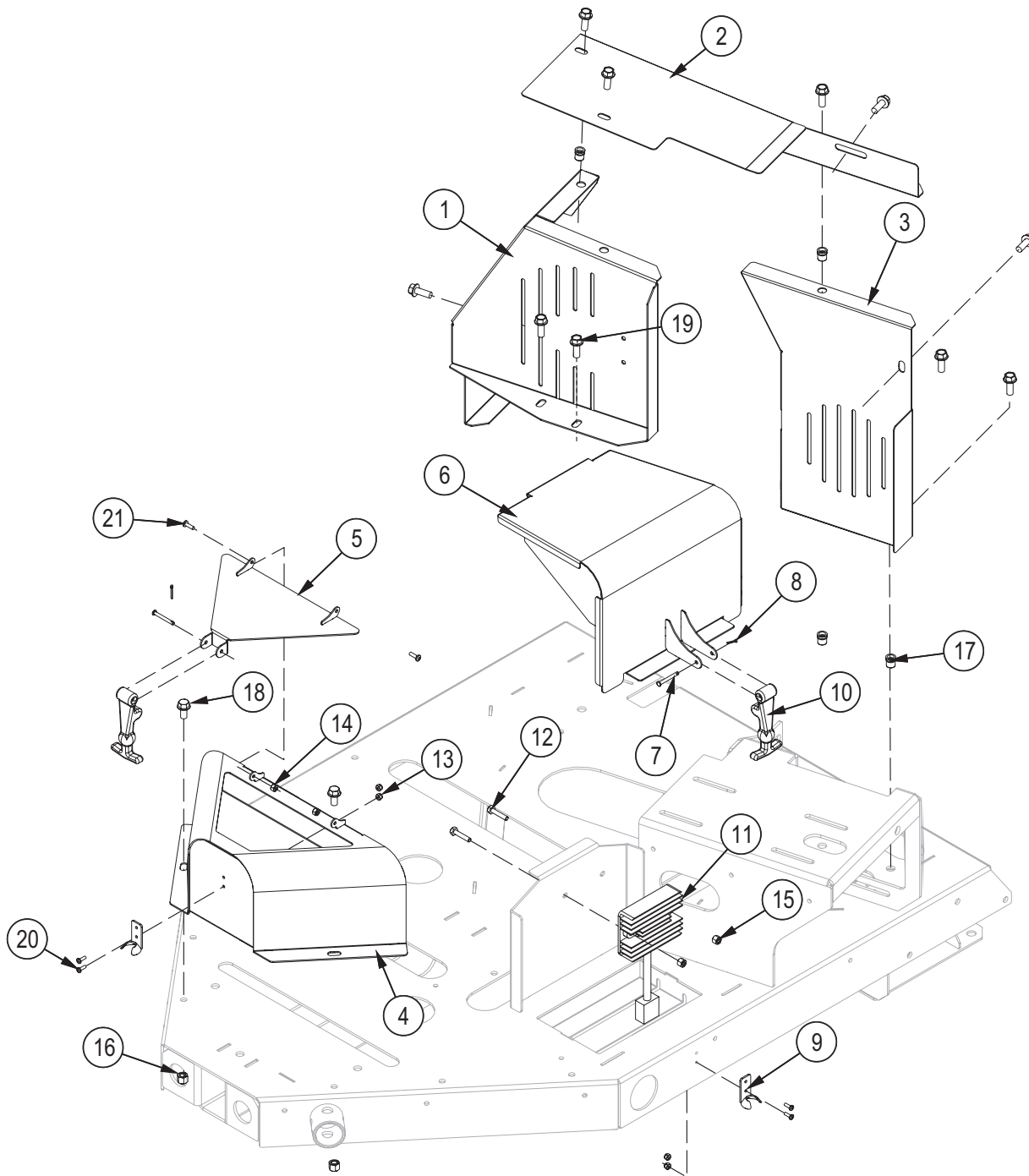
NOTE:
 For parts or service information on Dexter axle, hub or brakes, refer to Dexter manual available for download at www.dexteraxle.com.
 Have any brake and axle maintenance or repairs performed by a qualified technician.

Tongue Assembly



Item No.	Part No.	Description	Qty
1	1063W009	Tongue	1
2	Z71530	Hex Bolt, 1/2NC x 3"	2
3	Z71535	Hex Bolt, 1/2NC x 3-1/2"	2
4	Z72251	Hex Lock Nut, 1/2NC	4
5	Z73151	SAE Washer, 1/2"	4
6	Z91614	Hitch Coupler, 2" Ball x 2" x 3500lbs	1
7	Z92303	Safety Chain, 1/4" x 2ft with Snap	2

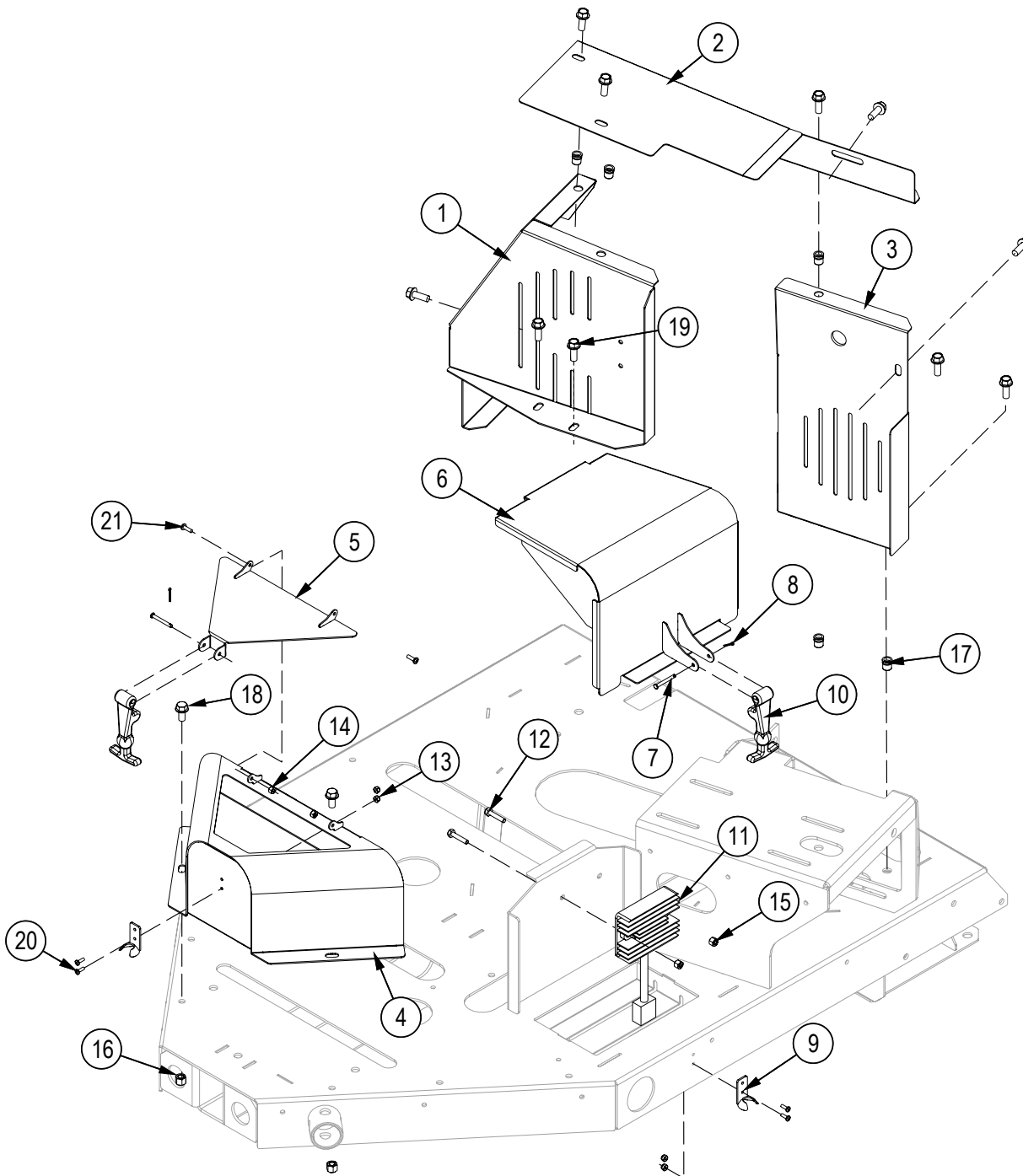
Main Frame Shields & Covers – S/N 2E9US11121S051001 to 2E9US1115LS051035



Item No.	Part No.	Description	Qty
1	1063L014	Sub-Shield, Front Belt	1
2	1063L036	Shield, Top Belts	1
3	1063L038	Belt Shield, Lower Pump	1
4	1063W006	Weldment, Toolbox	1
5	1063W007	Weldment, Toolbox Lid	1
6	1063W020	Weldment, Battery Cover	1
7	Z11300	Clevis Pin 3/16 x 1-3/8	2
8	Z12300	Cotter Pin 3/32 X 3/4	2
9	Z18201-2	Hood Fastener, Top Bracket	2
10	Z18201-3	Hood Fastener, Latch Strap	2
11	Z47901	Regulator Rectifier	1

Item No.	Part No.	Description	Qty
12	Z71112	Hex Bolt, 1/4NC x 1-1/4"	2
13	Z72202	Hex Lock Nut, #8NC	4
14	Z72203	Hex Lock Nut, #10NC	2
15	Z72211	Hex Lock Nut, 1/4NC	2
16	Z72231	Hex Lock Nut, 3/8NC	2
17	Z72958	Rivet Nut, 3/8NC x 150	5
18	Z76133	Flange Bolt, 3/8NC x 3/4"	2
19	Z76134	Flange Bolt, 3/8NC x 1"	11
20	Z78309	Machine Screw, #8NC x 1/2"	4
21	Z78312	Machine Screw, #10NC x 5/8"	2

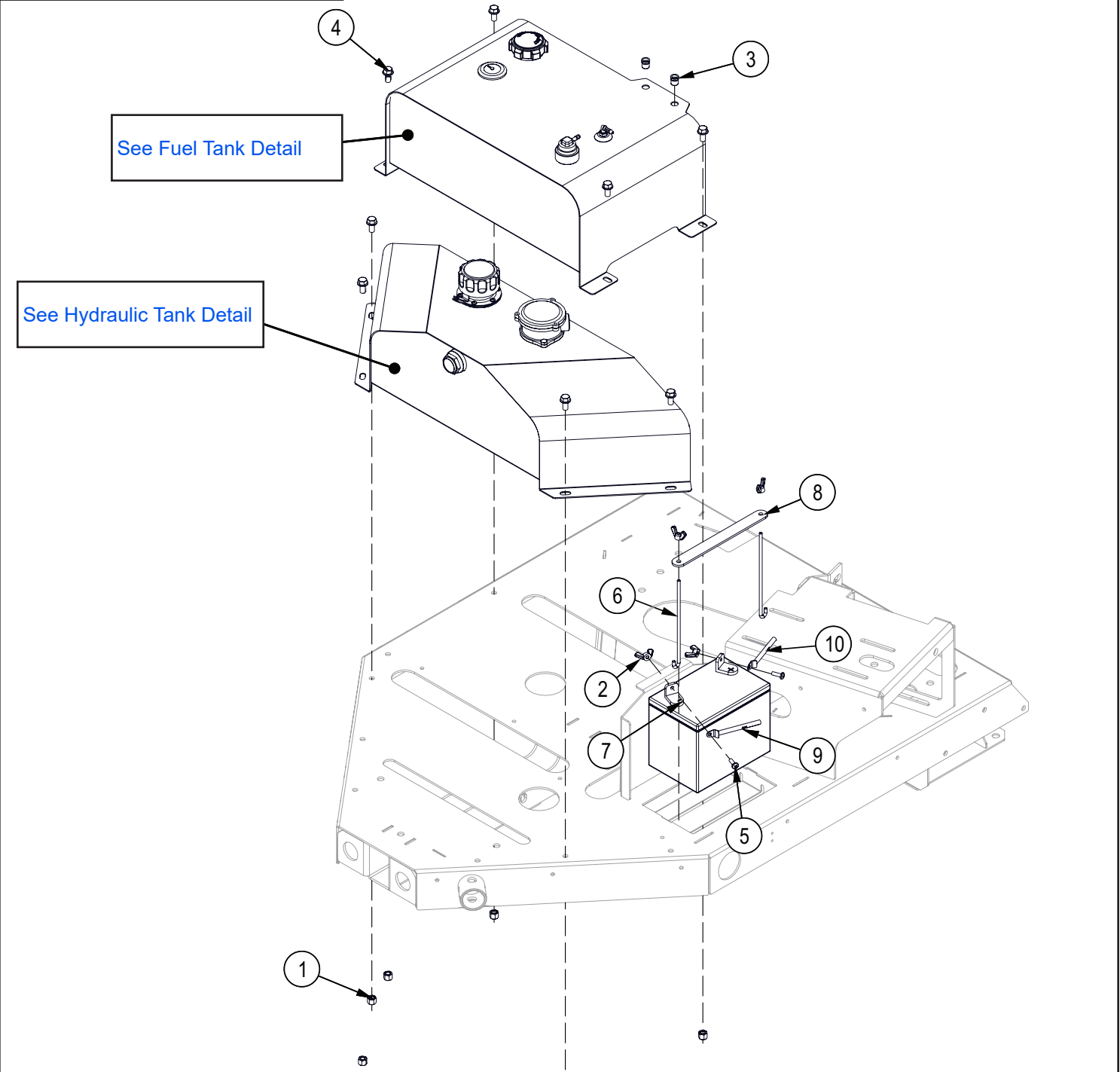
Main Frame Shields & Covers – S/N 2E9US1115LS051036 & Up



Item No.	Part No.	Description	Qty
1	1063L014	Sub-Shield, Front Belt	1
2	1063L036	Shield, Top Belts	1
3	1063W023	Shield, Sensor Mount	1
4	1063W006	Weldment, Toolbox	1
5	1063W007	Weldment, Toolbox Lid	1
6	1063W020	Weldment, Battery Cover	1
7	Z11300	Clevis Pin 3/16 x 1-3/8	2
8	Z12300	Cotter Pin 3/32 X 3/4	2
9	Z18201-2	Hood Fastener, Top Bracket	2
10	Z18201-3	Hood Fastener, Latch Strap	2
11	Z47901	Regulator Rectifier	1

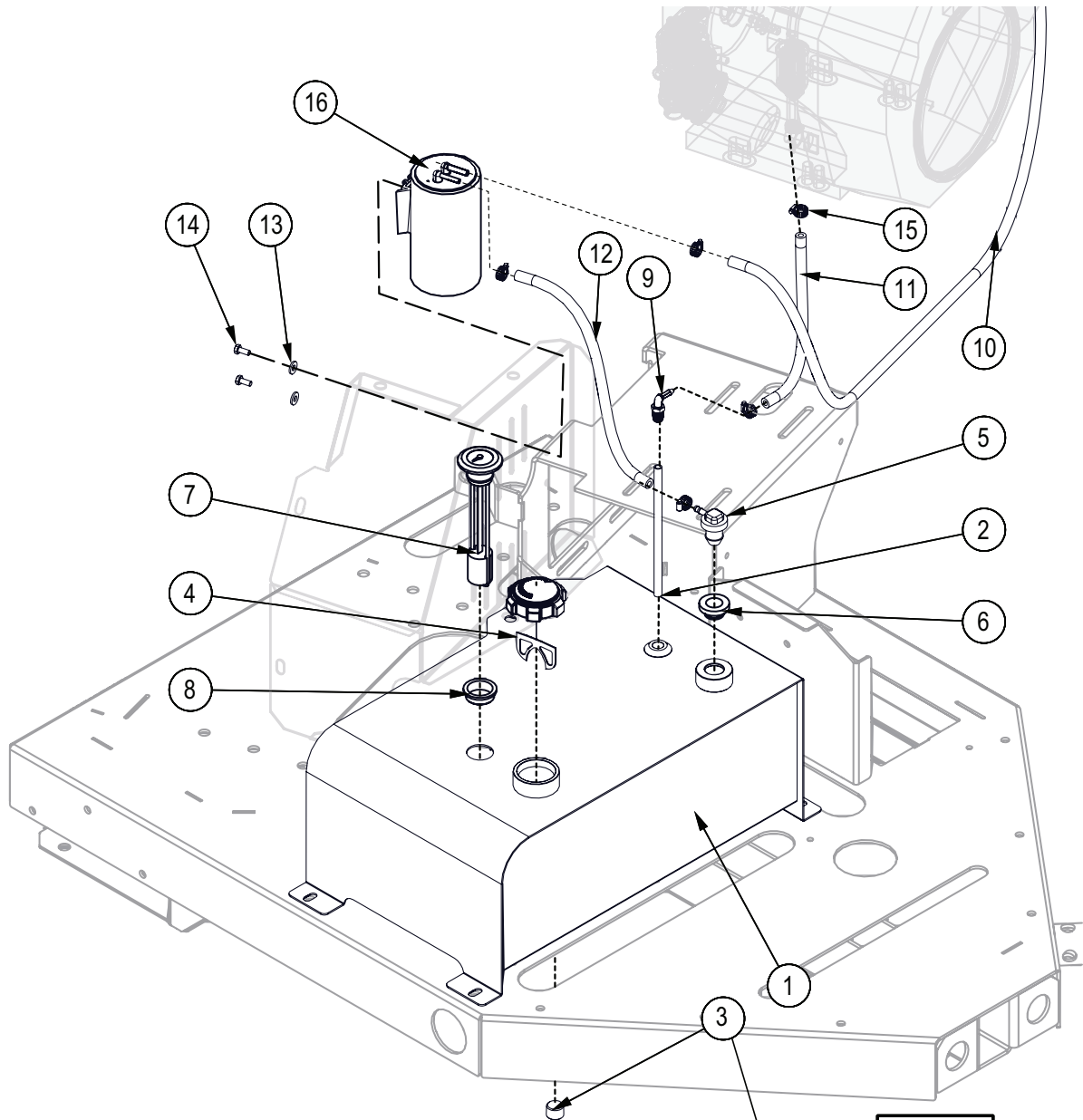
Item No.	Part No.	Description	Qty
12	Z71112	Hex Bolt, 1/4NC x 1-1/4"	2
13	Z72202	Hex Lock Nut, #8NC	4
14	Z72203	Hex Lock Nut, #10NC	2
15	Z72211	Hex Lock Nut, 1/4NC	2
16	Z72231	Hex Lock Nut, 3/8NC	2
17	Z72958	Rivet Nut, 3/8NC x 150	5
18	Z76133	Flange Bolt, 3/8NC x 3/4"	2
19	Z76134	Flange Bolt, 3/8NC x 1"	11
20	Z78309	Machine Screw, #8NC x 1/2"	4
21	Z78312	Machine Screw, #10NC x 5/8"	2

Main Frame – Tanks & Battery

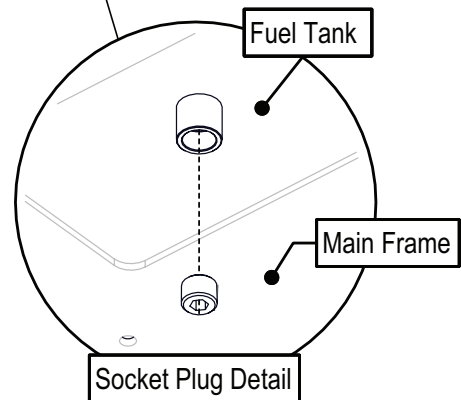


Item No.	Part No.	Description	Qty
1	Z72231	Hex Lock Nut, 3/8NC	8
2	Z72921	Wing Nut, 1/4NC	4
3	Z72958	Rivet Nut, 3/8NC x 150	2
4	Z76133	Flange Bolt, 3/8NC x 3/4"	8
5	Z78301	Machine Screw, 1/4NC x 3/4"	2
6	Z93202	J-Hook, 1/4" x 7"	2
7	Z93204	Battery, 325CCA	1
8	Z93207	Hold-Down Strap, 1" x 8-1/2"	1
9	Z93210	Battery Cable, Negative x 25"	1
10	Z93212	Battery Cable, Positive x 28"	1

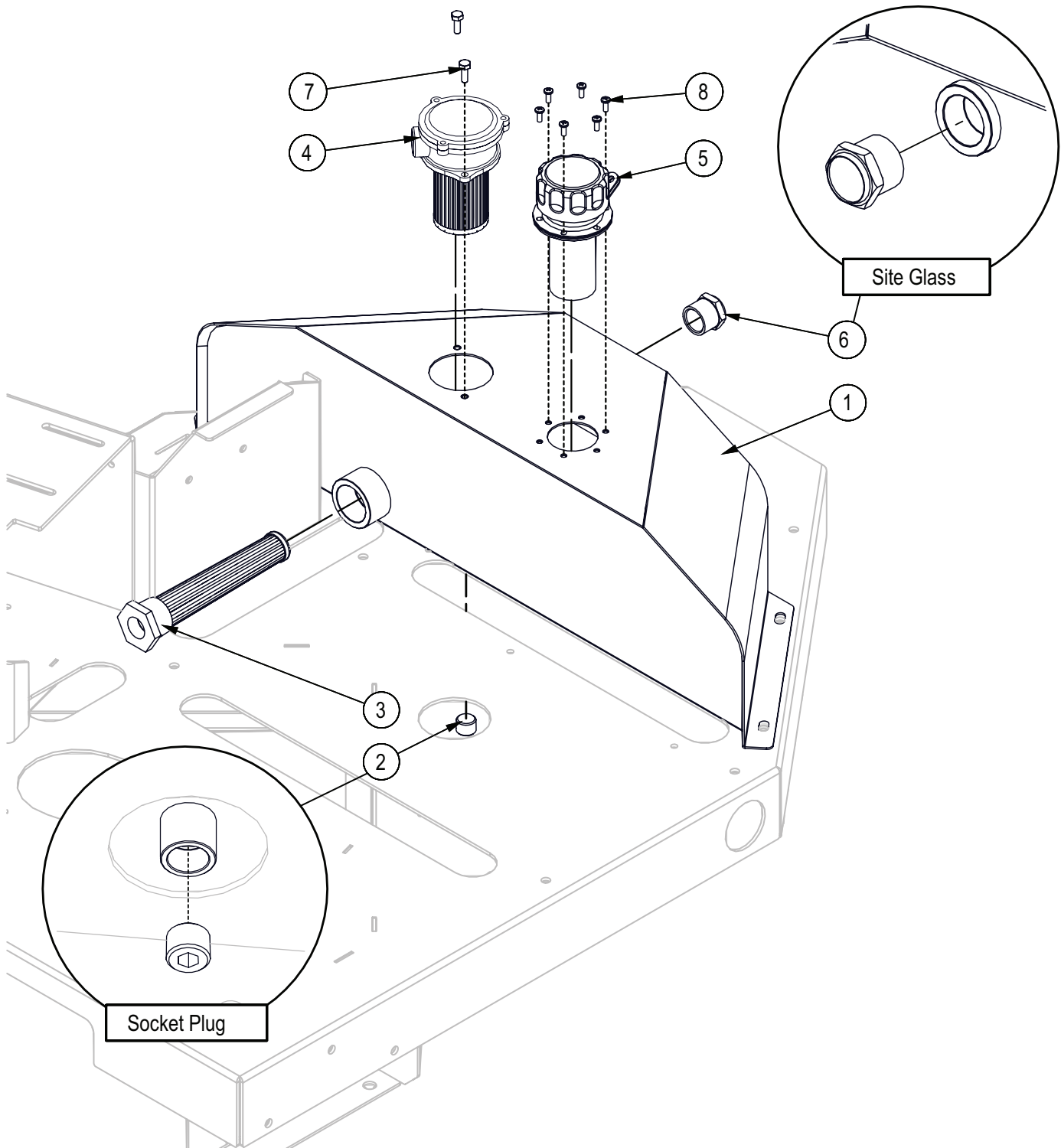
Fuel Tank



Item No.	Part No.	Description	Qty
1	1063W010	Fuel Tank, Trailer Chippers	1
2	1052S501	Fuel Pickup Tube	1
3	Z51192	Socket Plug, MP 08	1
4	Z93108	EPA Ratchet Fuel Cap, Unleaded Fuel x Unvented with Tether	1
5	Z93110	EPA Remote Vent, HB04	1
6	Z93111	Vent Grommet For Z93110	1
7	Z93113	Fuel Gauge, Grommet Mount x 7"	1
8	Z93115	Fuel Gauge Grommet for Z93113	1
9	Z93312	Plastic Elbow 90, MP x HB 0404	1
10	1063F008	EPA Fuel Line, 1/4" x 48"	1
11	1063F009	EPA Fuel Line, 1/4" x 10"	1
12	1063F010	EPA Fuel Line, 1/4" x 13"	1
13	Z73111	SAE Washer, 1/4"	2
14	Z77130	Hex Bolt, M6x1.0 x 14mm	2
15	Z79405	Hose Clamp, SAE #4 (5/8")	5
16	Z93309	EPA Carbon Canister, 652cc	1

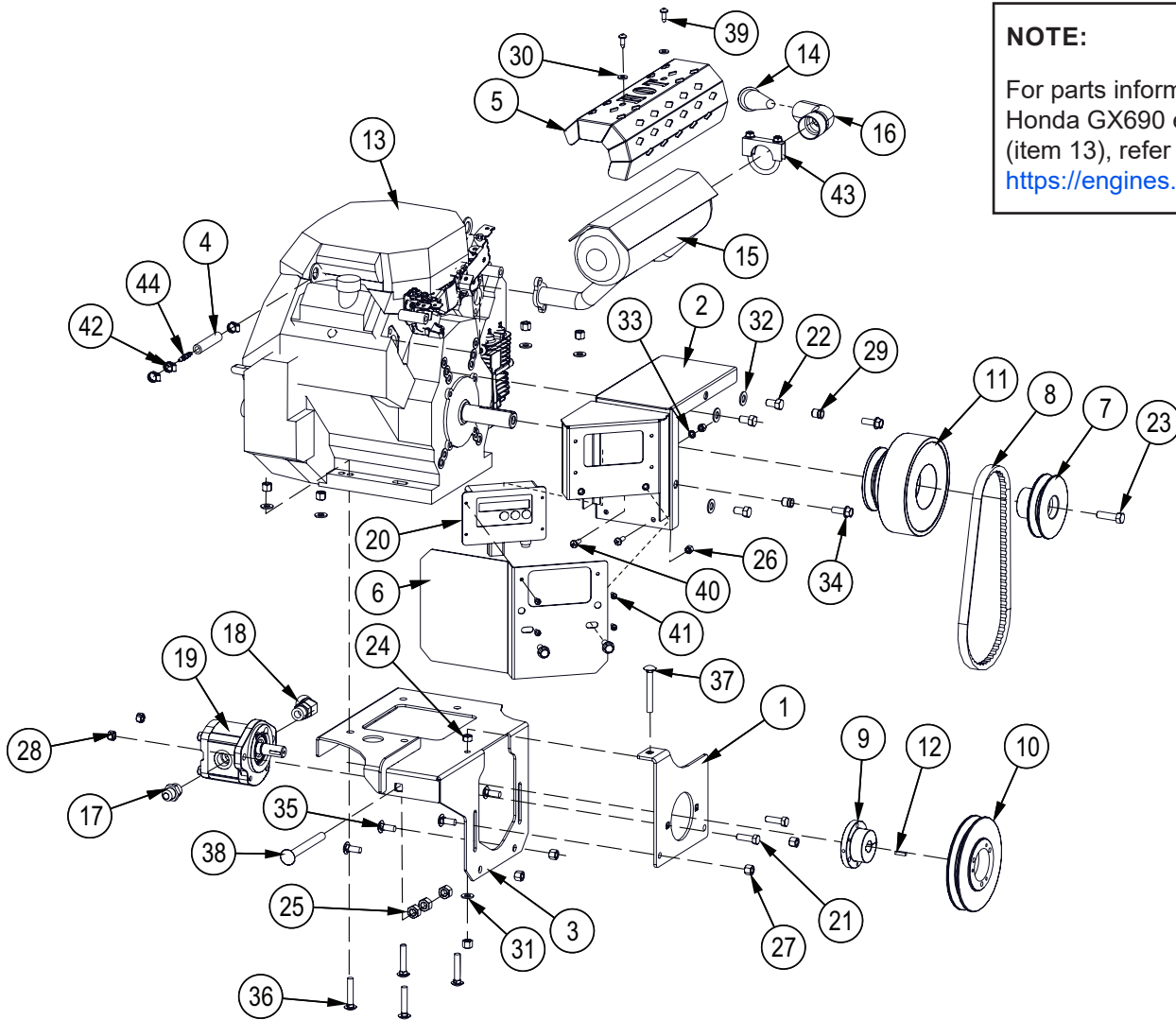


Hydraulic Tank



Item No.	Part No.	Description	Qty
1	1063W005	Hydraulic Tank	1
2	Z51192	Socket Plug, MP 08	1
3	Z55101	Suction Strainer, MP20	1
4	Z55201	Tank Mounted Return Filter, FP12	1
5	Z55403	Filler Breather Cap x 400um Locking	1
6	Z55901	Site Glass, MP16	1
7	Z71107	Hex Bolt, 1/4NC x 3/4"	2
8	Z78303	Machine Screw, #10NF x 1/2"	6

Engine & Hydraulic Pump – S/N 2E9US11121S051001 to 2E9US1115LS051035

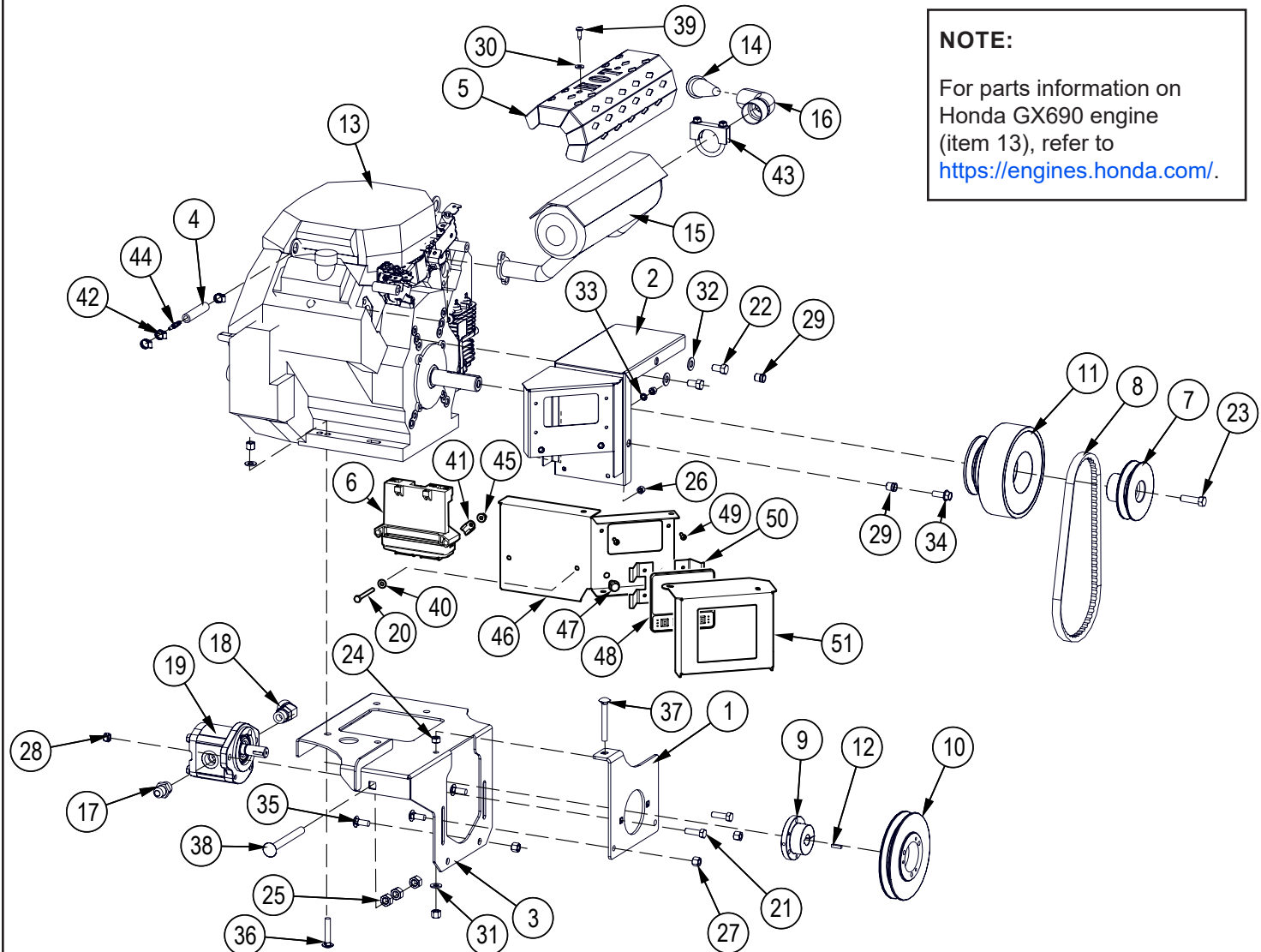


NOTE:
 For parts information on Honda GX690 engine (item 13), refer to <https://engines.honda.com/>.

Item No.	Part No.	Description	Qty
1	1063L002	Plate, Pump Slide	1
2	1063W019	Clutch Guard	1
3	1063W021	Base, Engine Slide	1
4	1063F011	Fuel Line, 3/8" x 3"	1
5	1063L075	Muffler Guard, Vertical	1
6	1063L078	Guard, Engine Wire	1
7	1063M002	Pulley, 1B39 x Centrifugal Clamp	1
8	Z41166	Single Belt, BX31	1
9	Z41511	Hub, SDS x 3/4"	1
10	Z41612	Sheave, 1B60 x SDS	1
11	Z41902	Centrifugal Clutch, 2B39 x 1-1/8"	1
12	Z46524	Key, 3/16" x 3/16" x 3/4"	1
13	Z47168	Honda GX690RHTXA, Electric	1
14	Z47513	Spark Arrester, 1-1/2"	1
15	Z47913	Aftermarket Muffler, GX630/690 (Filter Side)	1
16	Z47918	Exhaust Pipe Elbow, 1-1/2"x45deg	1
17	Z51647	Straight, MJIC x MORB 0810	1
18	Z51661	Elbow 45, MJIC x MORB 1210	1
19	Z53119	Outrigger Gear Pump, Series 20x0.30 CIR	1
20	Z66217	IntelliFEED II Control	1
21	Z711312	Hex Bolt, 3/8NC x 1-1/4"	2
22	Z711407	Hex Bolt, 7/16NC x 3/4"	3
23	Z711472	Hex Bolt, 7/16NF x 1-1/2"	1

Item No.	Part No.	Description	Qty
24	Z72131	Hex Nut, 3/8NC	1
25	Z72151	Hex Nut, 1/2NC	3
26	Z72211	Hex Lock Nut, 1/4NC	2
27	Z72231	Hex Lock Nut, 3/8NC	9
28	Z72233	Hex CTR-lock Nut, 3/8NC	2
29	Z72958	Rivet Nut, 3/8NC x 150	2
30	Z73111	SAE Washer, 1/4"	2
31	Z73131	SAE Washer, 3/8"	5
32	Z73142	SAE Washer, 7/16"	3
33	Z73431	Int - Ext Tooth Washer, 1/4"	1
34	Z76134	Flange Bolt, 3/8NC x 1"	4
35	Z76231	Carriage Bolt, 3/8NC x 1"	4
36	Z76235	Carriage Bolt, 3/8NC x 2"	4
37	Z76238FT	Carriage Bolt, 3/8NC x 3" Full Threads	1
38	Z76253	Carriage Bolt, 1/2NC x 5" Full Threads	1
39	Z76721	Self-tapping Screw, 1/4" x 3/4"	2
40	Z78301	Machine Screw, 1/4NC x 3/4"	2
41	Z78303	Machine Screw, #10NF x 1/2"	4
42	Z79405	Hose Clamp, SAE #4 (5/8")	3
43	Z79881	Muffler Clamp, 1-5/8"	1
44	Z93314	Plastic Reducer, HB x HB 0403	1

Engine & Hydraulic Pump – S/N 2E9US1115LS051036 to 2E9US1119MS051056



NOTE:
 For parts information on Honda GX690 engine (item 13), refer to <https://engines.honda.com/>.

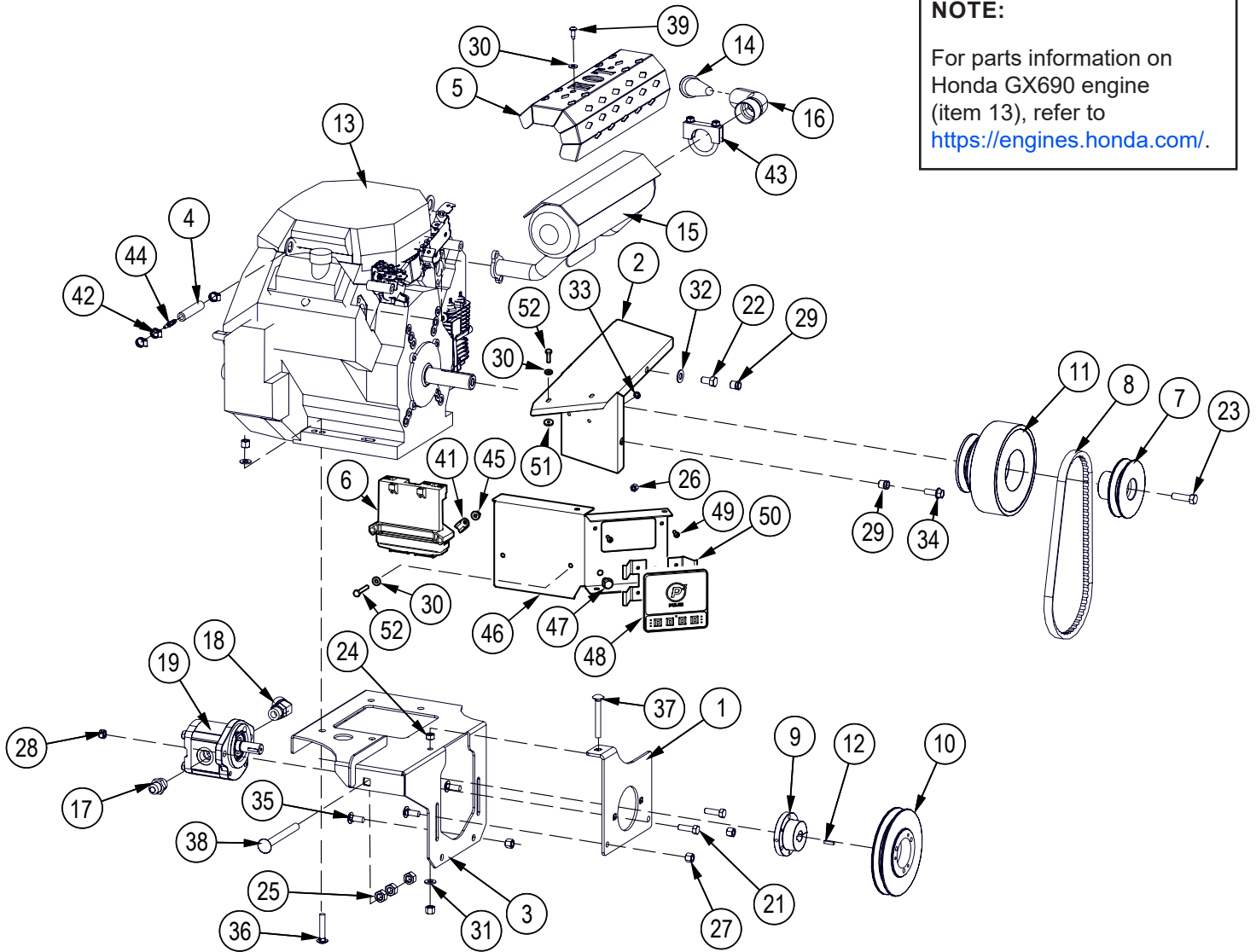
Item No.	Part No.	Description	Qty
1	1063L002	Plate, Pump Slide	1
2	1063W019	Clutch Guard	1
3	1063W021	Base, Engine Slide	1
4	1063F011	Fuel Line, 3/8" x 3"	1
5	1063L075	Muffler Guard, Vertical	1
6	Z66224	Controller, 24 Pin	1
7	1063M002	Pulley, 1B39 x Centrifugal Clamp	1
8	Z41166	Single Belt, BX31	1
9	Z41511	Hub, SDS x 3/4"	1
10	Z41612	Sheave, 1B60 x SDS	1
11	Z41902	Centrifugal Clutch, 2B39 x 1-1/8"	1
12	Z46524	Key, 3/16" x 3/16" x 3/4"	1
13	Z47168	Honda GX690RHTXA, Electric	1
14	Z47513	Spark Arrester, 1-1/2"	1
15	Z47913	Aftermarket Muffler, GX630/690 (Filter Side)	1
16	Z47918	Exhaust Pipe Elbow, 1-1/2"x45deg	1
17	Z51647	Straight, MJIC x MORB 0810	1
18	Z51661	Elbow 45, MJIC x MORB 1210	1
19	Z53119	Outrigger Gear Pump, Series 20x0.30 CIR	1
20	Z71125	Hex Bolt, 1/4NC x 2-1/2"	2
21	Z71312	Hex Bolt, 3/8NC x 1-1/4"	2
22	Z71407	Hex Bolt, 7/16NC x 3/4"	3
23	Z71472	Hex Bolt, 7/16NF x 1-1/2"	1
24	Z72131	Hex Nut, 3/8NC	1
25	Z72151	Hex Nut, 1/2NC	3
26	Z72211	Hex Lock Nut, 1/4NC	2

Item No.	Part No.	Description	Qty
27	Z72231	Hex Lock Nut, 3/8NC	9
28	Z72233	Hex CTR-lock Nut, 3/8NC	2
29	Z72958	Rivet Nut, 3/8NC x 150	2
30	Z73111	SAE Washer, 1/4"	2
31	Z73131	SAE Washer, 3/8"	5
32	Z73142	SAE Washer, 7/16"	3
33	Z73431	Int - Ext Tooth Washer, 1/4"	1
34	Z76134	Flange Bolt, 3/8NC x 1"	4
35	Z76231	Carriage Bolt, 3/8NC x 1"	4
36	Z76235	Carriage Bolt, 3/8NC x 2"	4
37	Z76238FT	Carriage Bolt, 3/8NC x 3" Full Threads	1
38	Z76253	Carriage Bolt, 1/2NC x 5" Full Threads	1
39	Z76721	Self-tapping Screw, 1/4" x 3/4"	2
40	Z73111	SAE Washer, 1/4"	2
41	Z62819	Rubberized Wire Clamp, 1/2"	1
42	Z79405	Hose Clamp, SAE #4 (5/8")	3
43	Z79881	Muffler Clamp, 1-5/8"	1
44	Z93314	Plastic Reducer, HB x HB 0403	1
45	Z72211	Hex Lock Nut, 1/4NC	2
46	1063L081	Bracket, Controller Mount	1
47	Z76133	Flange Bolt, 3/8NC x 3/4"	2
48	Z66222	Display, 4.3" x 4 Button	1
49	Z78316	Machine Screw, #10NF x 3/4"	2
50	Z66223	Bracket, Display Mount	1
51	1063L080	Housing, Display	1

Engine & Hydraulic Pump – S/N 2E9US1119MS051057 & Up

NOTE:

For parts information on Honda GX690 engine (item 13), refer to <https://engines.honda.com/>.



Item No.	Part No.	Description	Qty
1	1063L002	Plate, Pump Slide	1
2	1063L101	Clutch Guard	1
3	1063W021	Base, Engine Slide	1
4	1063F011	Fuel Line, 3/8" x 3"	1
5	1063L075	Muffler Guard, Vertical	1
6	1062E001	Controller, 24 Pin	1
7	1063M004	Pulley, 1B39 x Centrifugal Clamp	1
8	Z41166	Single Belt, BX31	1
9	Z41511	Hub, SDS x 3/4"	1
10	Z41612	Sheave, 1B60 x SDS	1
11	Z41902	Centrifugal Clutch, 2B39 x 1-1/8"	1
12	Z46524	Key, 3/16" x 3/16" x 3/4"	1
13	Z47168	Honda GX690RHTXA, Electric	1
14	Z47513	Spark Arrester, 1-1/2"	1
15	Z47913	Aftermarket Muffler, GX630/690 (Filter Side)	1
16	Z47918	Exhaust Pipe Elbow, 1-1/2"x45deg	1
17	Z51647	Straight, MJIC x MORB 0810	1
18	Z51661	Elbow 45, MJIC x MORB 1210	1
19	Z53119	Outrigger Gear Pump, Series 20x0.30 CIR	1
20	Z71125	Hex Bolt, 1/4NC x 2-1/2"	2
21	Z71312	Hex Bolt, 3/8NC x 1-1/4"	2
22	Z71407	Hex Bolt, 7/16NC x 3/4"	3
23	Z71472	Hex Bolt, 7/16NF x 1-1/2"	1
24	Z72131	Hex Nut, 3/8NC	1
25	Z72151	Hex Nut, 1/2NC	3
26	Z72211	Hex Lock Nut, 1/4NC	2

Item No.	Part No.	Description	Qty
27	Z72231	Hex Lock Nut, 3/8NC	9
28	Z72233	Hex CTR-lock Nut, 3/8NC	2
29	Z72958	Rivet Nut, 3/8NC x 150	2
30	Z73111	SAE Washer, 1/4"	3
31	Z73131	SAE Washer, 3/8"	5
32	Z73142	SAE Washer, 7/16"	3
33	Z73431	Int - Ext Tooth Washer, 1/4"	1
34	Z76134	Flange Bolt, 3/8NC x 1"	4
35	Z76231	Carriage Bolt, 3/8NC x 1"	4
36	Z76235	Carriage Bolt, 3/8NC x 2"	4
37	Z76238FT	Carriage Bolt, 3/8NC x 3" Full Threads	1
38	Z76253	Carriage Bolt, 1/2NC x 5" Full Threads	1
39	Z76721	Self-tapping Screw, 1/4" x 3/4"	2
40	Z73111	SAE Washer, 1/4"	2
41	Z62819	Rubberized Wire Clamp, 1/2"	1
42	Z79405	Hose Clamp, SAE #4 (5/8")	3
43	Z79881	Muffler Clamp, 1-5/8"	1
44	Z93314	Plastic Reducer, HB x HB 0403	1
45	Z72211	Hex Lock Nut, 1/4NC	2
46	1063L085	Bracket, Controller x Display Mount	1
47	Z76133	Flange Bolt, 3/8NC x 3/4"	2
48	1062E002	Display, 4.3" x 4 Button	1
49	Z78316	Machine Screw, #10NF x 3/4"	2
50	Z66223	Bracket, Display Mount	1
51	Z73112	Rubber Washer, 1/4" x 0.140"	2
52	Z71110	Hex Bolt, 1/4NC x 1"	2

Blower Assembly

See Discharge Chute

See Rotor Detail

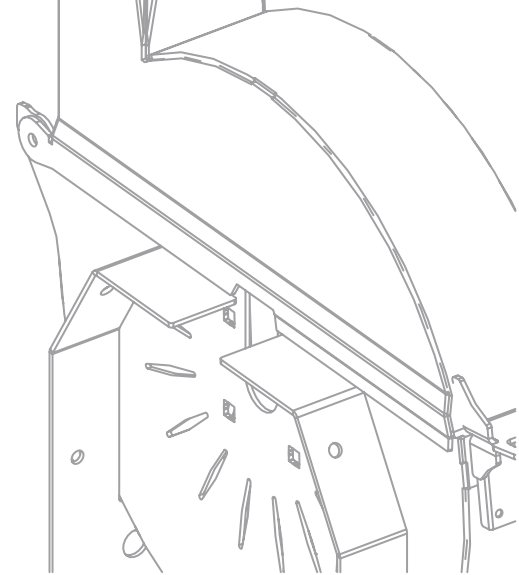
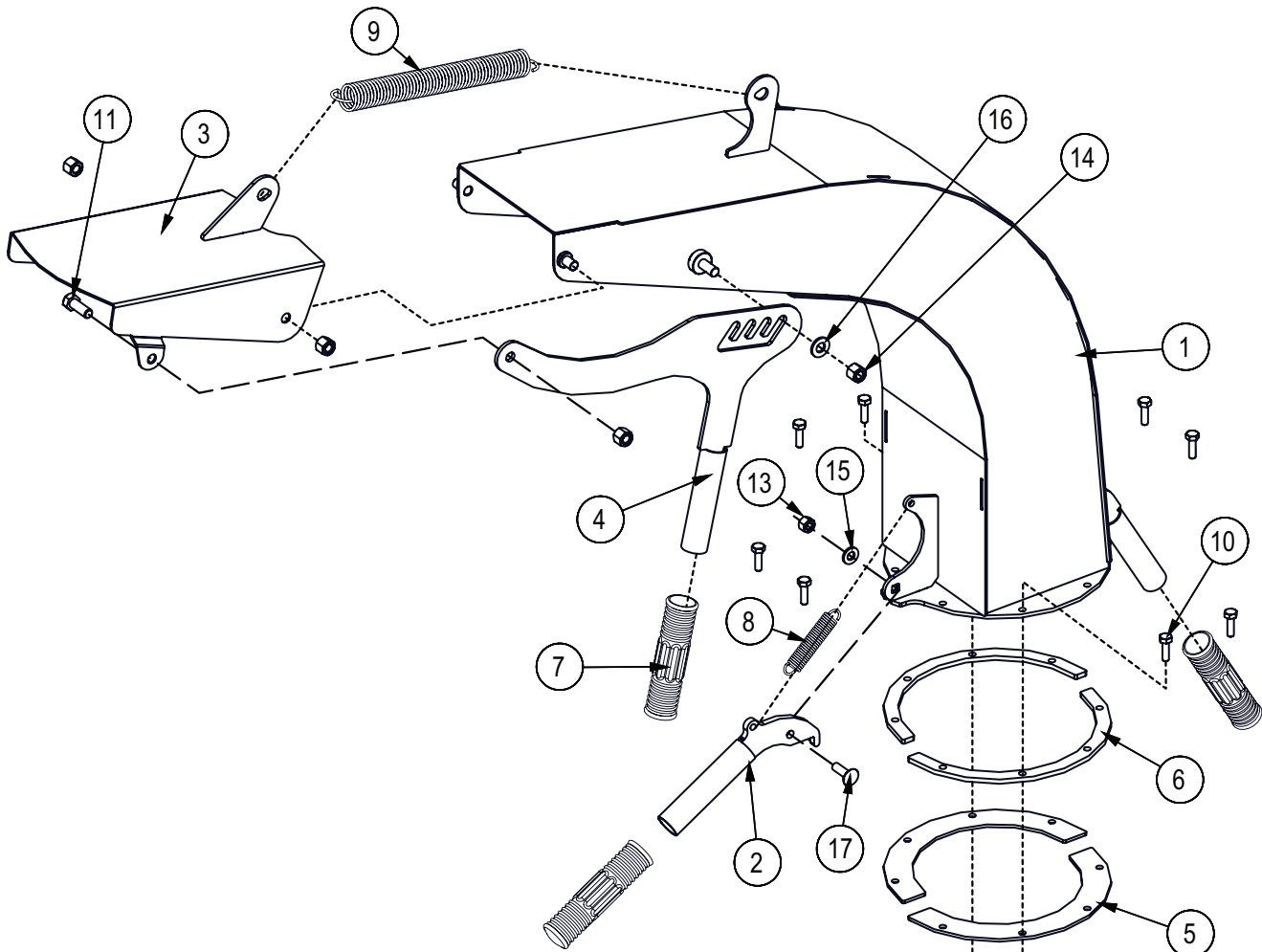
Gauge Assembly Detail

Knife Assembly Detail

Item No.	Part No.	Description	Qty
1	1063W003	Trailer Upper Rotor Housing	1
2	1063W001	Lower Rotor Housing	1
3	1063W011	Twig Breaker, BXTR52	1
4	1011M104	Knife, 4" Ledger	1
5	1012L269	Gauge, Ledger Setting	1
6	1024L124	Ledger Washer	2
7	1026M102	L Handled Plunger, Compact	1
8	Z14151	Roll Pin, 3/16" x 1-1/2"	1
9	Z32305	Comp Spring, 0.845" OD x 3-1/2" x 0.085"	1
10	Z62811	Straight Fitting, 1/2" Wire	1
11	Z62818	Rubber Grommet, 3/4" x 3/16"	1
12	Z66107	Limit Switch, Pizzato FD501	1
13	Z71372G8	Hex Bolt, 3/8NF x 5/8" G8	1
14	Z71379G8	Hex Bolt, 3/8NF x 1-1/4" G8	2

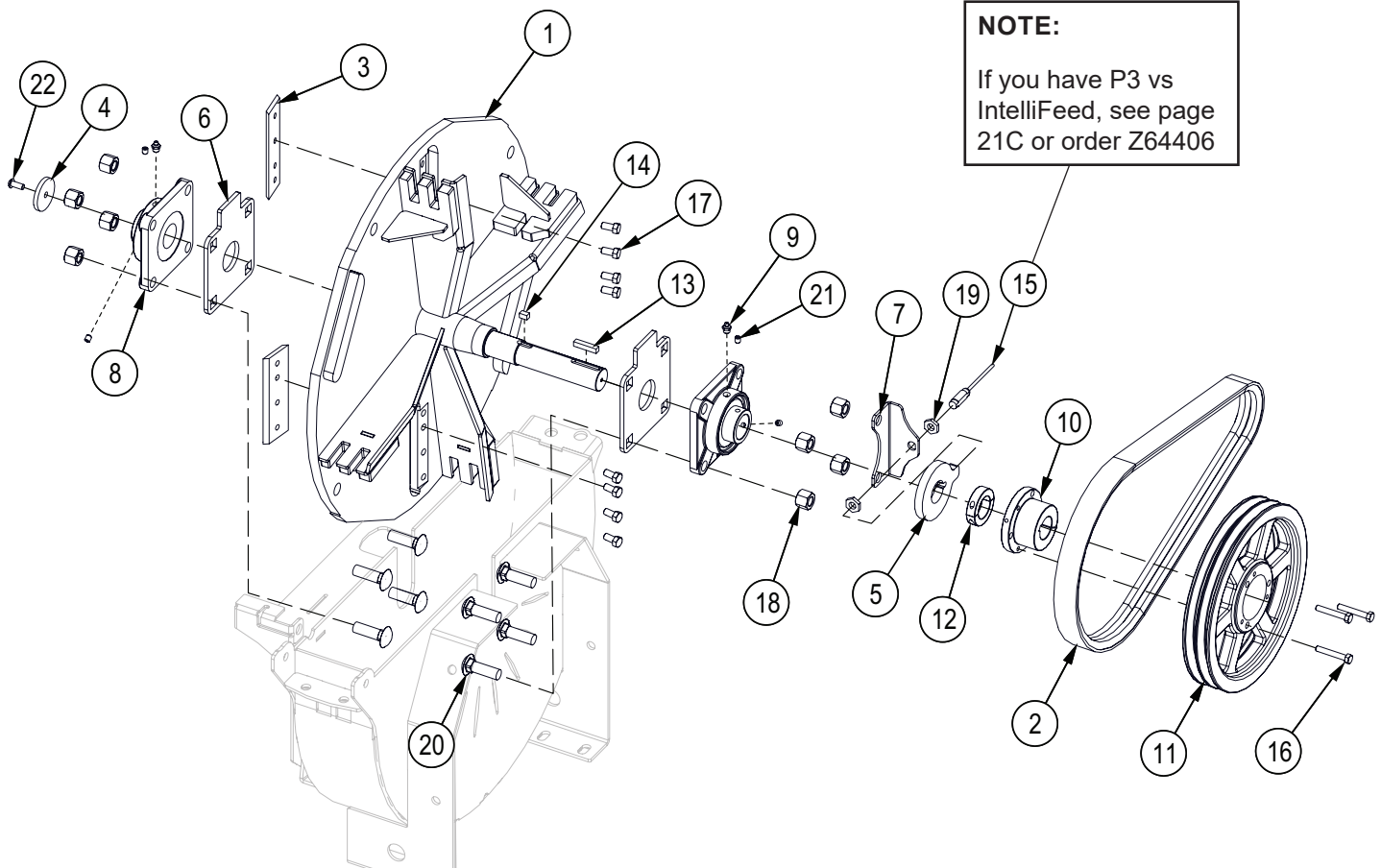
Item No.	Part No.	Description	Qty
15	Z71510	Hex Bolt, 1/2NC x 1"	6
16	Z71512	Hex Bolt, 1/2NC x 1-1/4"	4
17	Z72131	Hex Nut, 3/8NC	4
18	Z72251	Hex Lock Nut, 1/2NC	4
19	Z72551	Serrated Flange Locknut, 1/2NC	7
20	Z72959	Rivet Nut, 3/8NC x 312	2
21	Z72960	Rivet Nut, 1/2NC x 200	1
22	Z73131	SAE Washer, 3/8"	7
23	Z76153	Flange Bolt, 1/2NC x 1"	1
24	Z76156	Flange Bolt, 1/2NC x 1-1/2"	1
25	Z76534	Rod End, 3/8NC x 3-1/2"	2
26	Z78307	Machine Screw, #10NF x 1-1/2"	4

Discharge Chute



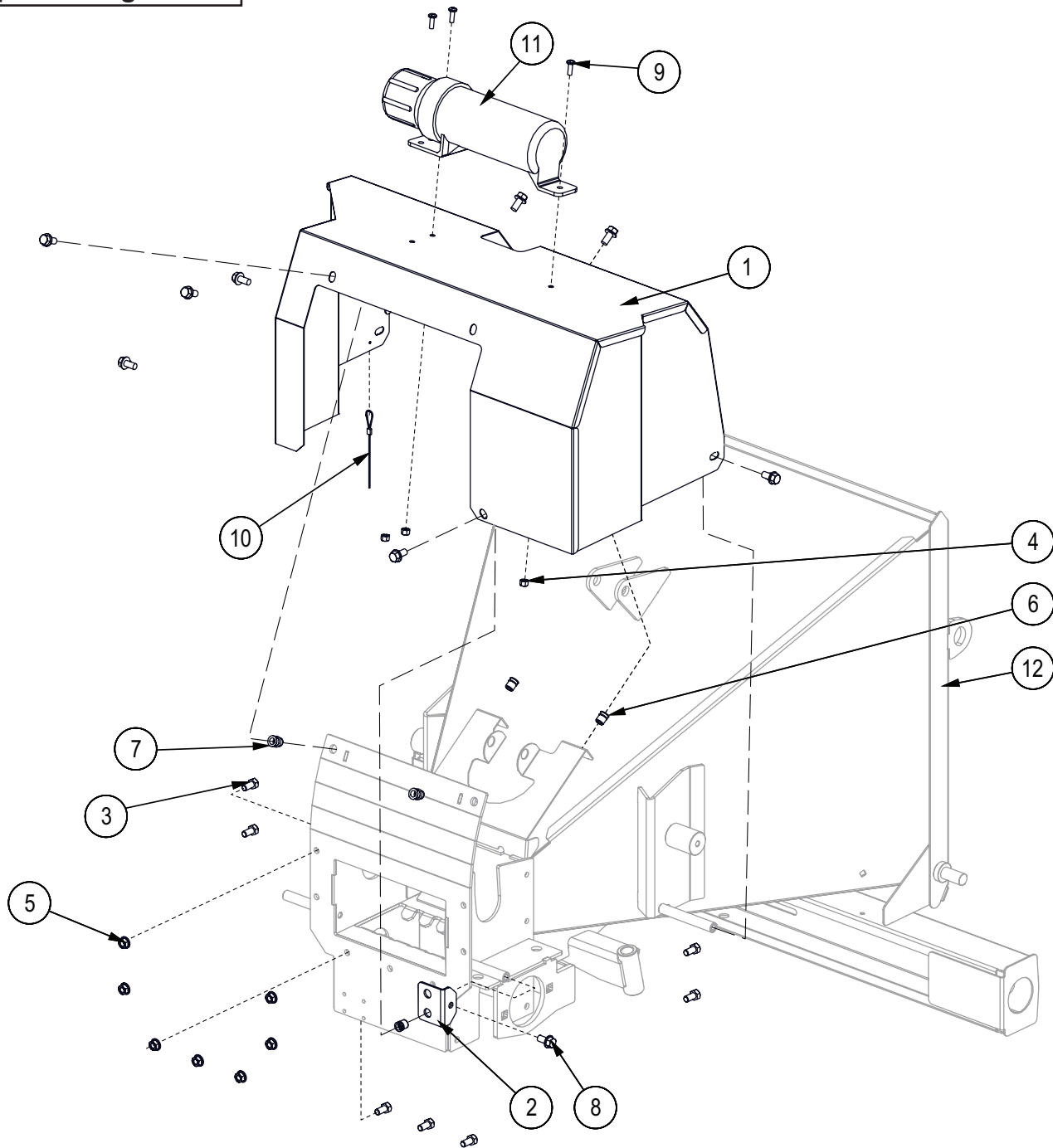
Item No.	Part No.	Description	Qty
1	1063W012	Discharge Chute	1
2	1024W108	Discharge Latch	1
3	1062W517	Discharge Deflector	1
4	1063W013	Deflector Handle, BXTR52	1
5	1024L133	Hood Capture Ring	2
6	1024L134	Spacer Ring	2
7	Z19321	Handle Grip, 1"	3
8	Z31305	Ext Spring, 5/8" OD x 3" x 0.08"	1
9	Z31403	Ext Spring, 27mm OD x 178mm x 0.105"	1
10	Z71108	Hex Bolt, 1/4NC x 7/8"	8
11	Z71310	Hex Bolt, 3/8NC x 1"	1
12	Z72211	Hex Lock Nut, 1/4NC	8
13	Z72221	Hex Lock Nut, 5/16NC	1
14	Z72231	Hex Lock Nut, 3/8NC	4
15	Z73122	SAE Washer, 5/16"	1
16	Z73131	SAE Washer, 3/8"	1
17	Z76225	Carriage Bolt, 5/16NC x 1"	1

Rotor Assembly



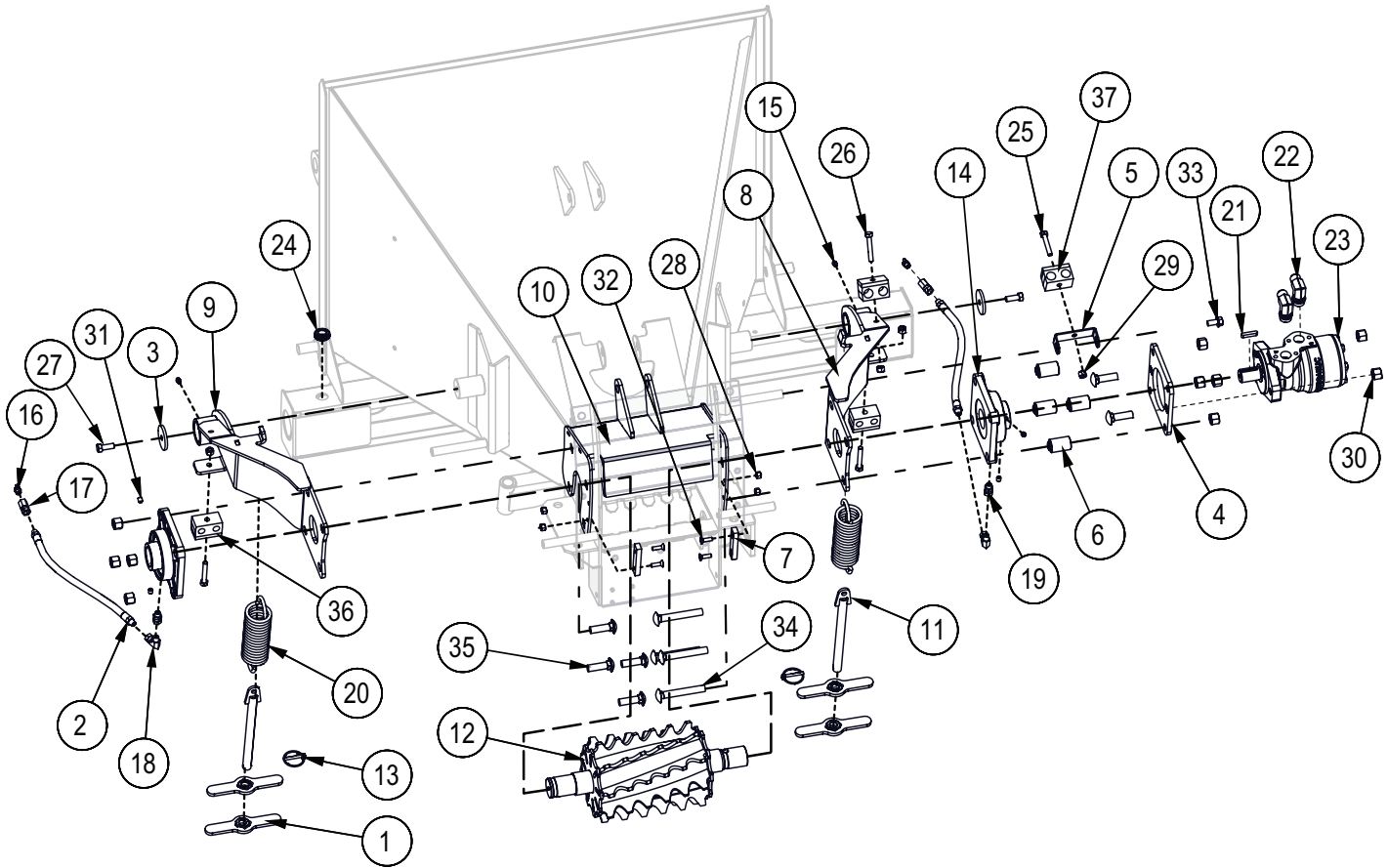
Item No.	Part No.	Description	Qty
1	1063W002	Rotor, BXTR52	1
2	Z41263	Double Belt, 2B51	1
3	1011M103	Knife, 4" Rotor	2
4	1021S102	Rotation Indicator Cover	1
5	1023L751	Rotor Speed Indicator, BX102R	1
6	1024L107	Bearing Plate, BX52	2
7	1024L556	Sensor Mounting Bracket	1
8	Z25204	4-Bolt Flange Bearing, UCF208-24	2
9	Z29201	Grease Fitting, MP02	2
10	Z41501	Hub, SK x 1-3/8"	1
11	Z41701	Double Sheave, 2B110 x SK	1
12	Z46315	Two-Piece Shaft Collar, 1-3/8" ID x 9/16"	1
13	Z46543	Key, 5/16" x 5/16" x 1-1/2"	1
14	Z46545	Key, 5/16" x 5/16" x 1/2"	1
15	Z66210	Pickup Sensor, IntelliFEED w/ 68" Lead	1
16	Z71220	Hex Bolt, 5/16NC x 2"	3
17	Z71373G8	Hex Bolt, 3/8NF x 3/4 G8	8
18	Z72261G8	Hex Lock Nut, 5/8NC G8	8
19	Z72357	Brass Jam Nut, 9/16NF	2
20	Z76261G8	Carriage Bolt, 5/8NC x 2" G8	8
21	Z74122	Set Screw, 5/16NF x 3/8"	4
22	Z75351	BHCS, 5/16NF x 3/4"	1

Hopper – Bridge Guard



Item No.	Part No.	Description	Qty
1	1024W621	Bridge Guard	1
2	1023L300	Bridge Guard Mount	1
3	Z71307	Hex Bolt, 3/8NC x 3/4"	7
4	Z72211	Hex Lock Nut, 1/4NC	3
5	Z72531	Serrated Flange Locknut, 3/8NC	7
6	Z72958	Rivet Nut, 3/8NC x 150	3
7	Z72959	Rivet Nut, 3/8NC x 312	2
8	Z76133	Flange Bolt, 3/8NC x 3/4"	9
9	Z78301	Machine Screw, 1/4NC x 3/4"	3
10	Z92110	Aircraft Cable, 1/16" x 24"	1
11	Z96503	Manual Tube, 3-1/2" Short	1
12	1063W017	Main Hopper, BXTR52	1

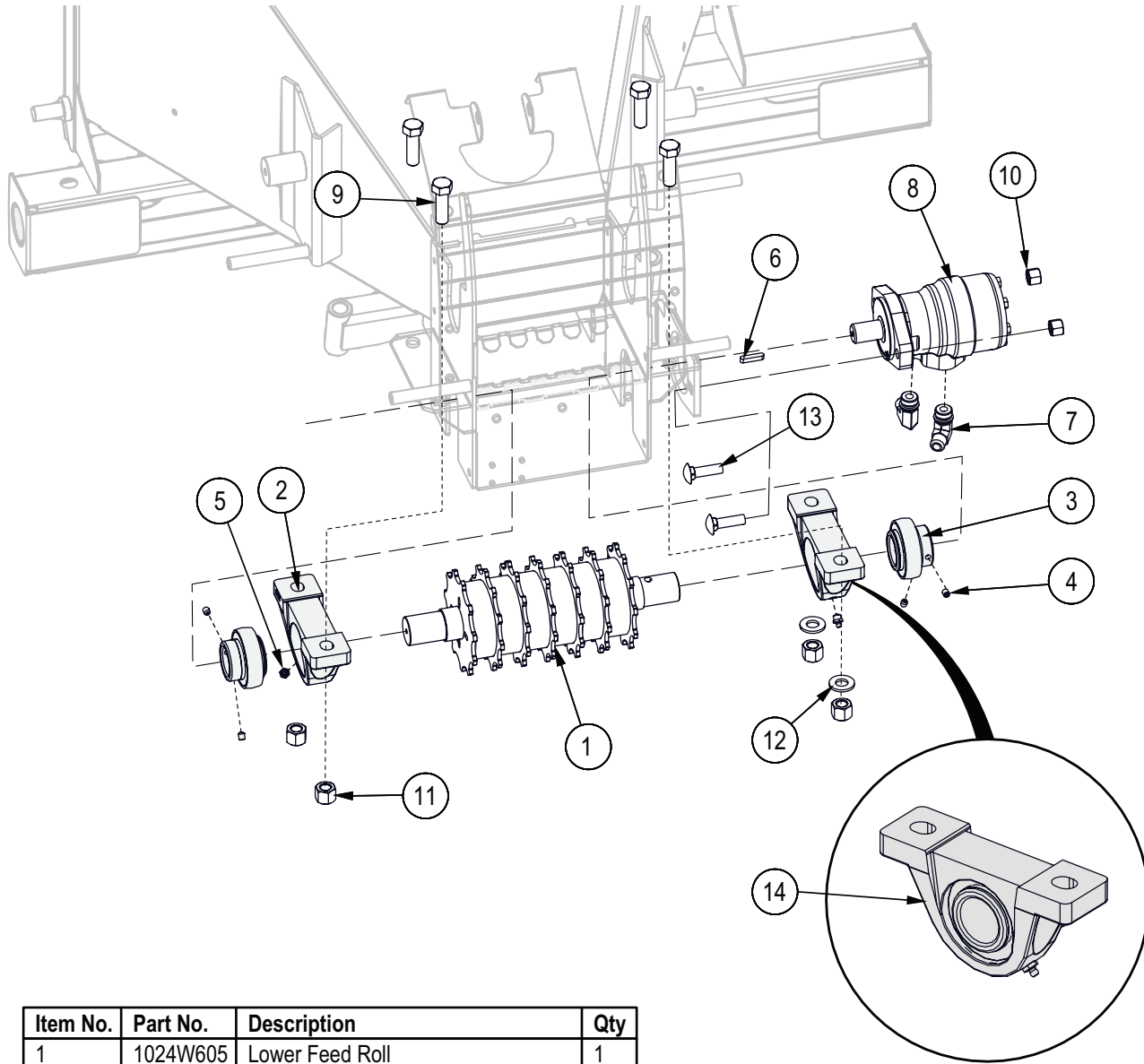
Upper Roller



Item No.	Part No.	Description	Qty
1	1022W220	Nut Handle	4
2	1024F502	1/4" Grease Whip, MP02 x MP02 x 11"	2
3	1024L618	Capture Washer	2
4	1024L771	Motor Bearing Interface	1
5	1024L775	Clamp Mount	1
6	1024M505	Motor Bearing Spacer	4
7	1024S707	Rotor Hood Slide	2
8	1024W602	Roller Pivot Arm, LH	1
9	1024W602H	Roller Pivot Arm, RH	1
10	1024W618	Bridge	1
11	1024W708	Spring Yoke	2
12	1063W014	Upper Feed Roller, Spiral Overlap	1
13	Z12110	Lynch Pin, 3/16"	2
14	Z25204	4-Bolt Flange Bearing, UCF208-24	2
15	Z29202	Grease Fitting, 1/4NF	2
16	Z29204	Elbow 45 Grease Fitting, MP02	2
17	Z29302	Grease Fitting, FP x FPX 0202	2
18	Z29307	Elbow 90 Grease Fitting, MP x FPX 0202	2
19	Z29311	Grease Fitting, MP x FPX 0202	2

Item No.	Part No.	Description	Qty
20	Z31501	Ext Spring, 2" OD x 7" x 0.250"	2
21	Z46594	Blind Chipper Key, 1/4" x 1/4" x 1-1/4"	1
22	Z51658	Elbow 90, MJIC x MORB 0810	2
23	Z54102	Hydraulic Motor, 200CCR	1
24	Z62818	Rubber Grommet, 3/4" x 3/16"	1
25	Z71217	Hex Bolt, 5/16NC x 1-3/4"	1
26	Z71220	Hex Bolt, 5/16NC x 2"	3
27	Z71310	Hex Bolt, 3/8NC x 1"	2
28	Z72211	Hex Lock Nut, 1/4NC	4
29	Z72221	Hex Lock Nut, 5/16NC	4
30	Z72251	Hex Lock Nut, 1/2NC	10
31	Z74122	Set Screw, 5/16NF x 3/8"	4
32	Z75211	FHCS, 1/4NC x 7/8"	4
33	Z76133	Flange Bolt, 3/8NC x 3/4"	1
34	Z762510	Carriage Bolt, 1/2NC x 3-1/2"	4
35	Z76258	Carriage Bolt, 1/2NC x 1-3/4"	6
36	Z79462	Double Hose Clamp, 1/2" OD	2
37	Z79463	Double Hose Clamp, 11/16" OD	2

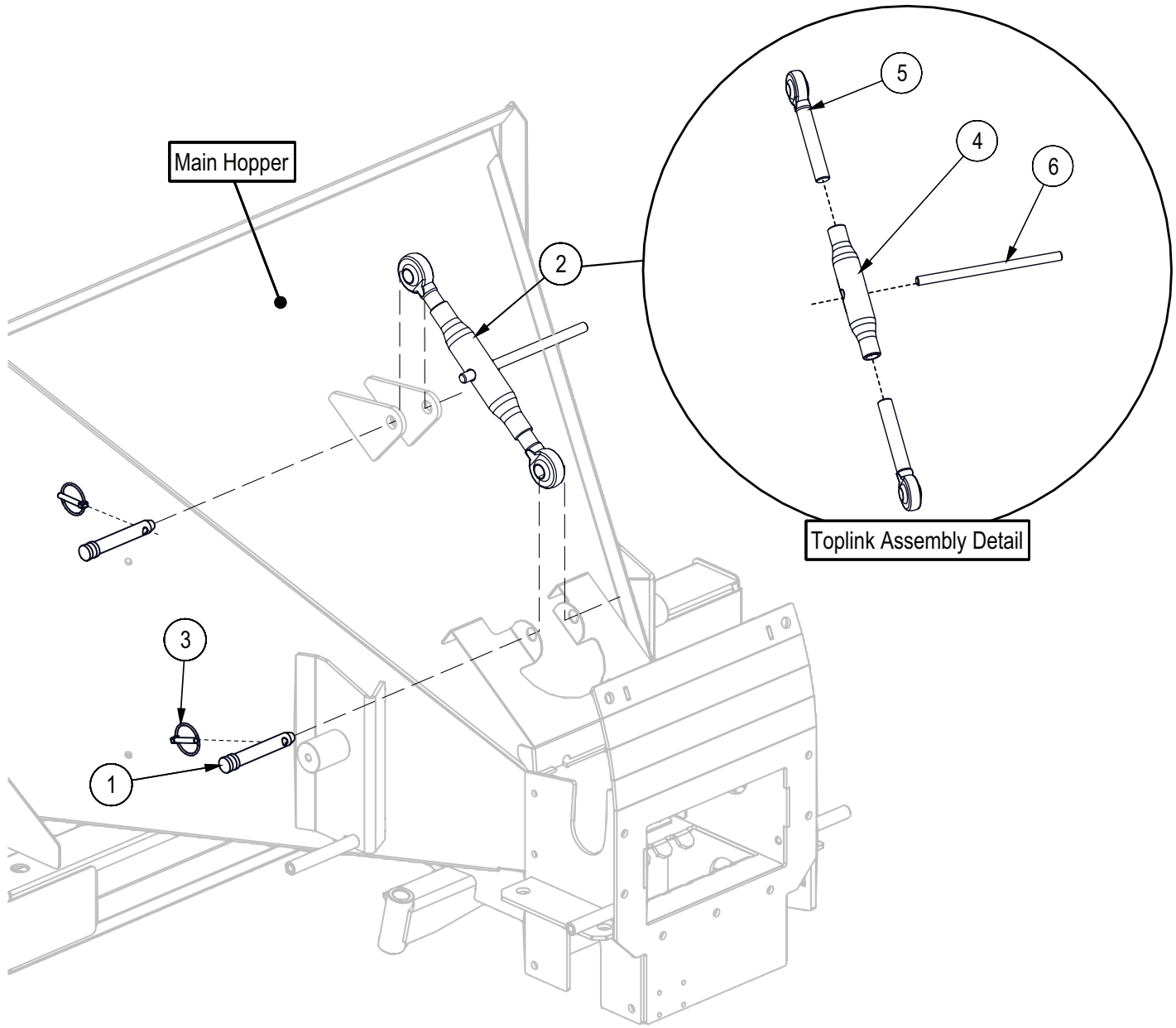
Lower Roller



Item No.	Part No.	Description	Qty
1	1024W605	Lower Feed Roll	1
2	Z24101-1	Housing, P208 for Z24101	2
3	Z24101-2	Bearing Insert, UC208-24 for Z24101	2
4	Z74122	Set Screw, 5/16NF x 3/8"	4
5	Z29201	Grease Fitting, MP02	2
6	Z46594	Blind Chipper Key, 1/4" x 1/4" x 1-1/4"	1
7	Z51658	Elbow 90, MJIC x MORB 0810	2
8	Z54102	Hydraulic Motor, 200CCR	1
9	Z71620	Hex Bolt, 5/8NC x 2"	4
10	Z72251	Hex Lock Nut, 1/2NC	2
11	Z72261	Hex Lock Nut, 5/8NC	4
12	Z73161	SAE Washer, 5/8"	2
13	Z76258	Carriage Bolt, 1/2NC x 1-3/4"	2
14	Z24101	Pillow Block, UCP208-24	2

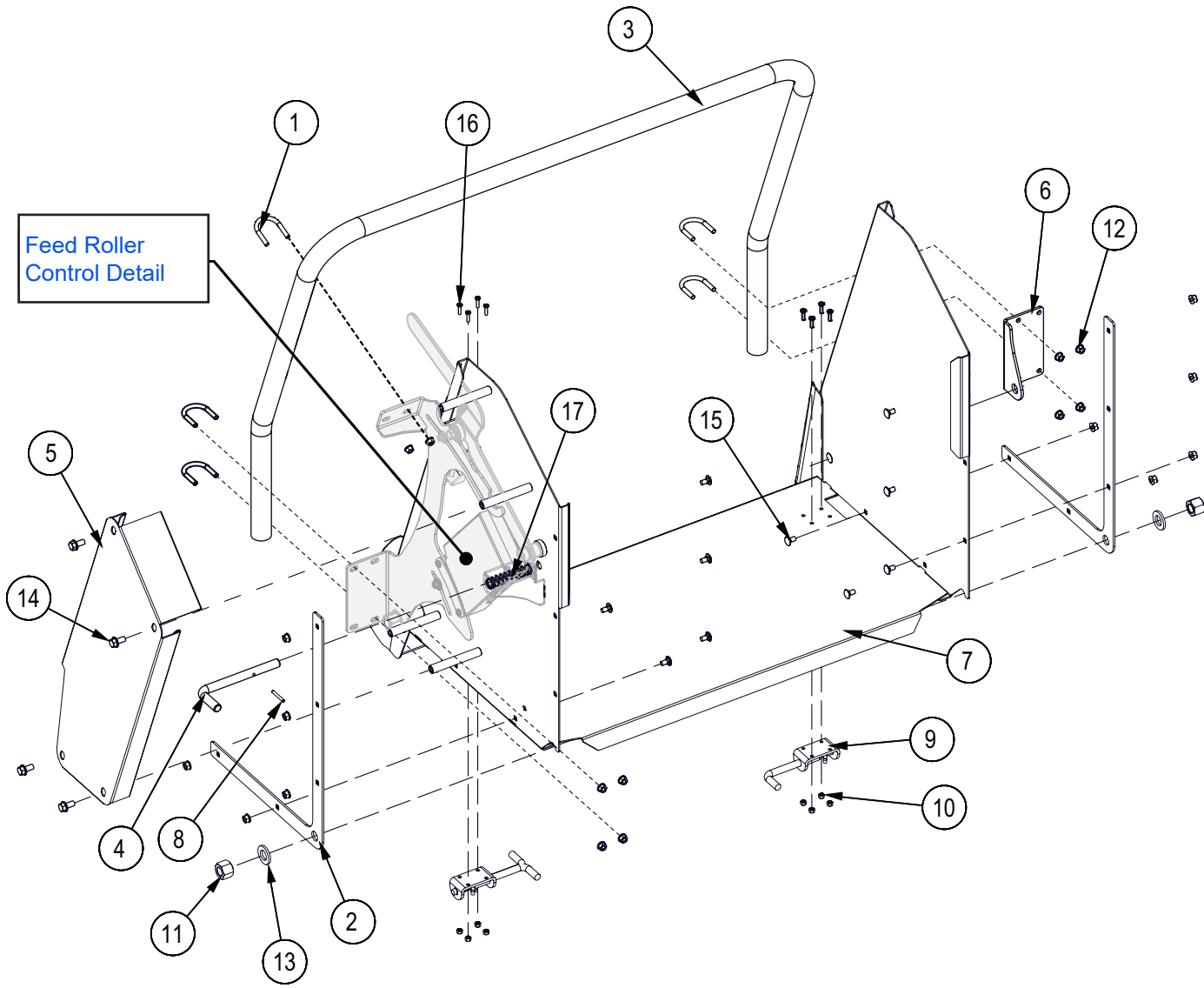
Items 2, 3, 4 and 5 included in Item 14, Z24101 Pillow Block

Top Link Detail



Item No.	Part No.	Description	Qty
1	Z11111	Toplink Pin, 5/8" x 2-3/4"	2
2	Z11501	Toplink, Cat 0 x 10-1/2" x 16"	1
3	Z12120	Lynch Pin, 1/4"	2
4	Z11501-1	Body, Cat 0 Toplink	1
5	Z11501-2	Eye Rod, Cat 0 Toplink	2
6	Z11501-3	Handle, Cat 0 Toplink	1

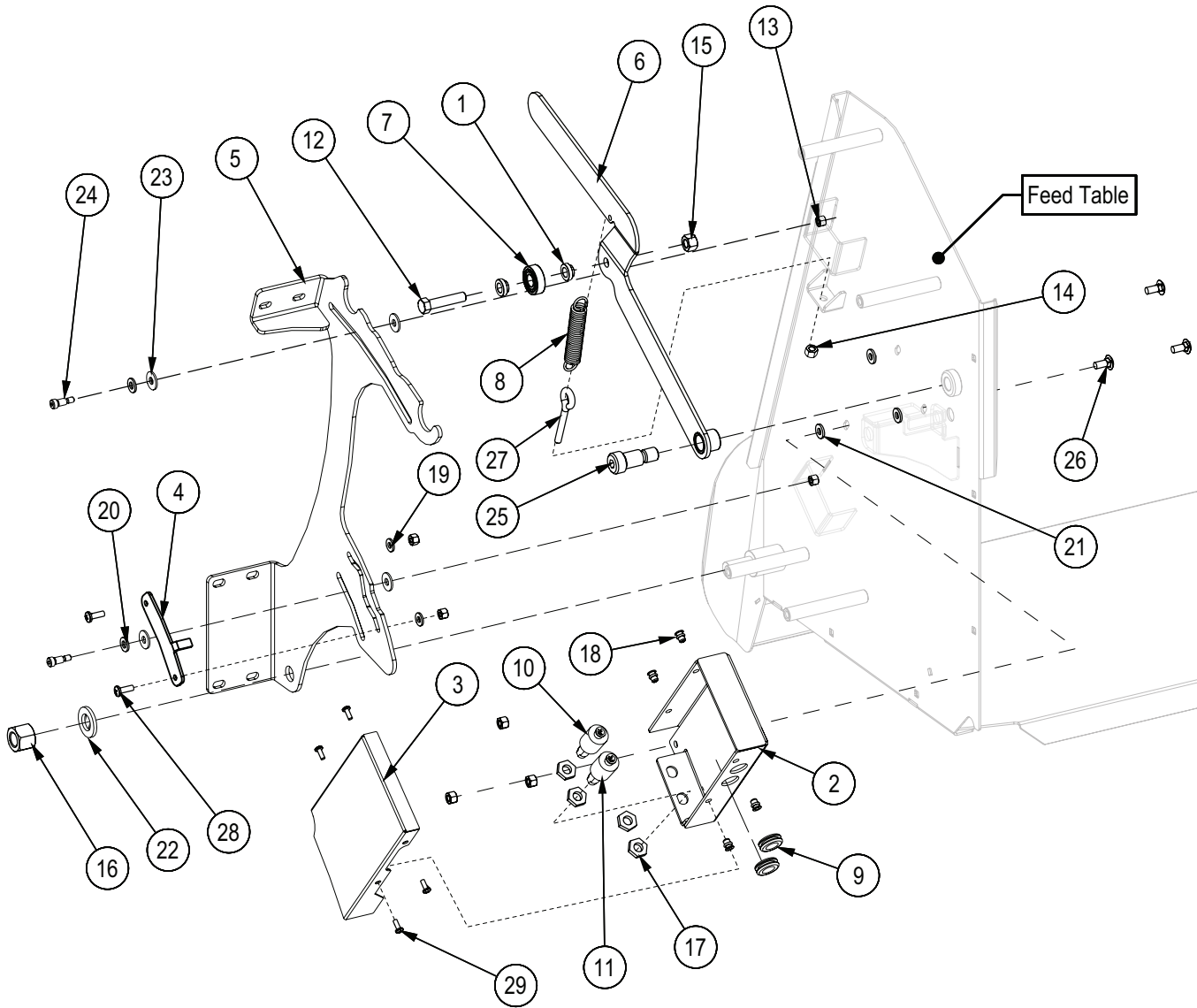
Feed Table



Item No.	Part No.	Description	Qty
1	1015S538	U-bolt, Bearing Adapter	5
2	1024L724	Fold Table Trap Plate	2
3	1024S703	Feed Control Handle	1
4	1026M102	L Handled Plunger, Compact	1
5	1060L302	CR100 Feed Switch Guard	1
6	1060L306	Feed Control Pivot, CR100	1
7	1063W016	Feed Table	1
8	Z14151	Roll Pin, 3/16" x 1-1/2"	1
9	Z18207	Spring Latch Pin, 1/2" x 1" Stroke	2

Item No.	Part No.	Description	Qty
10	Z72204	Hex Lock Nut, #10NF	8
11	Z72271	Hex Lock Nut, 3/4NC	2
12	Z72521	Serrated Flange Locknut, 5/16NC	20
13	Z73171	SAE Washer, 3/4"	2
14	Z76133	Flange Bolt, 3/8NC x 3/4"	4
15	Z76222	Carriage Bolt, 5/16NC x 5/8"	10
16	Z78316	Machine Screw, #10NF x 3/4"	8
17	Z32305	Comp Spring, 0.845" OD x 3-1/2" x 0.085"	1

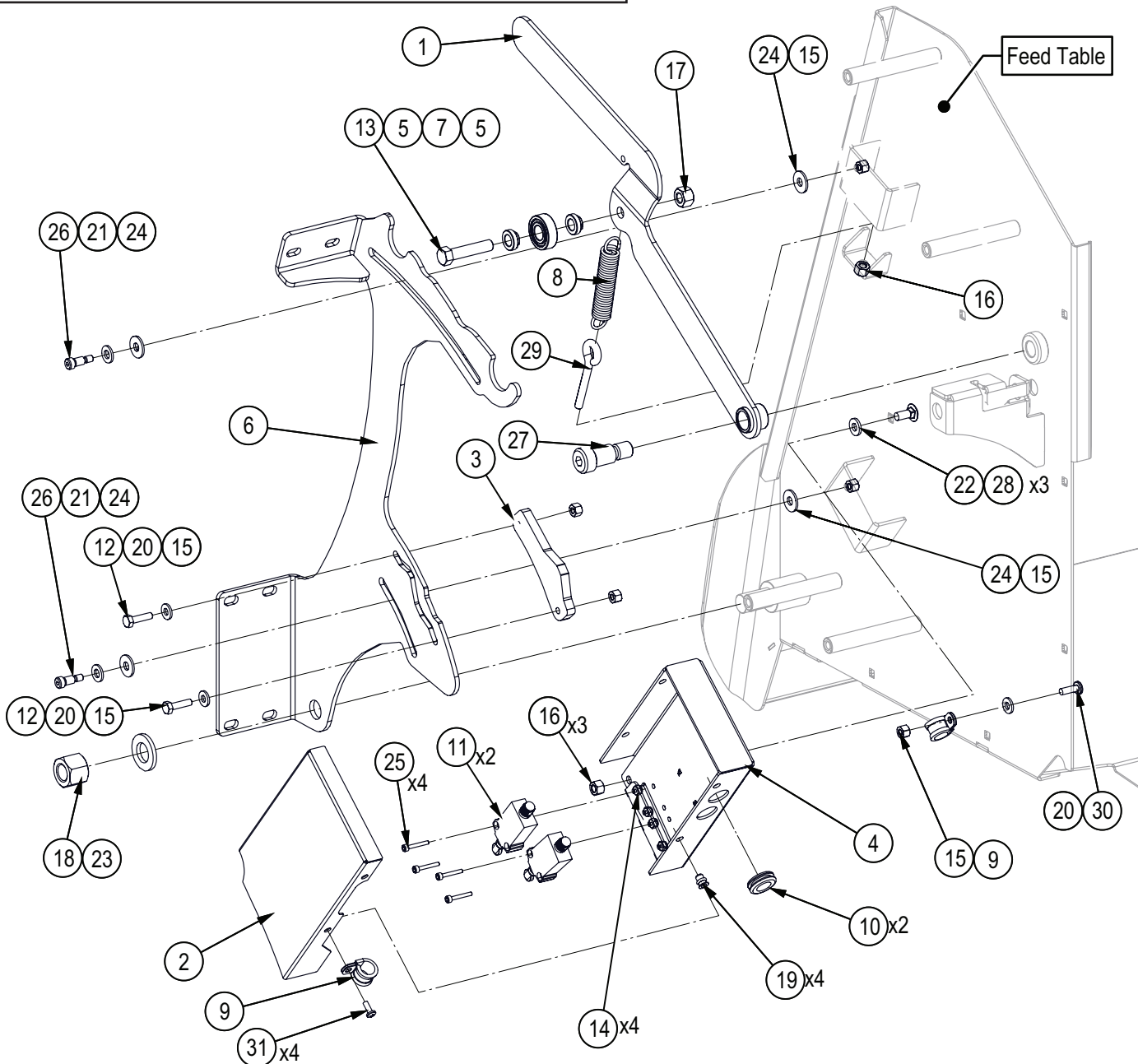
Feed Roller Control – S/N 2E9US11121S051001 to 2E9US11121S051027



Item No.	Part No.	Description	Qty
1	1015M537	Bushing, Bearing	2
2	1060L301	Switch Mount Plate, CR100	1
3	1060L303	Sensor Box Lid, CR100	1
4	1060L304	Feed Pickup Trigger, CR100	1
5	1060L305	CR100 Control Base Pivot Link	1
6	1060W302	Detent Reset Weldment, CR100	1
7	Z21203	Ball Bearing, 6202-2RS	1
8	Z31401	Ext Spring, 3/4" OD x 4" x 0.105"	1
9	Z62823	Rubber Grommet, 5/8" x 1/8"	2
10	Z64403	Proximity Switch, 5A x NO x Sourcing	1
11	Z64405	Proximity Switch, 5A x NO x Sinking	1
12	Z71420	Hex Bolt, 7/16NC x 2"	1
13	Z72211	Hex Lock Nut, 1/4NC	4
14	Z72221	Hex Lock Nut, 5/16NC	4
15	Z72241	Hex Lock Nut, 7/16NC	1

Item No.	Part No.	Description	Qty
16	Z72271	Hex Lock Nut, 3/4NC	1
17	Z72357	Brass Jam Nut, 9/16NF	4
18	Z72954	Rivet Nut, #10NF x 130	4
19	Z73111	SAE Washer, 1/4"	2
20	Z73122	SAE Washer, 5/16"	2
21	Z73123	Rubber Washer, 5/16" x 0.093"	3
22	Z73171	SAE Washer, 3/4"	1
23	Z73222	PTFE Washer, 5/16 x 0.080"	4
24	Z75522	Shoulder Bolt, 5/16" x 1/2"	2
25	Z75574	Shoulder Bolt, 3/4" x 1"	1
26	Z76221	Carriage Bolt, 5/16NC x 3/4"	3
27	Z76522	Eye Bolt, 5/16NC x 2"	1
28	Z78301	Machine Screw, 1/4NC x 3/4"	2
29	Z78303	Machine Screw, #10NF x 1/2"	4

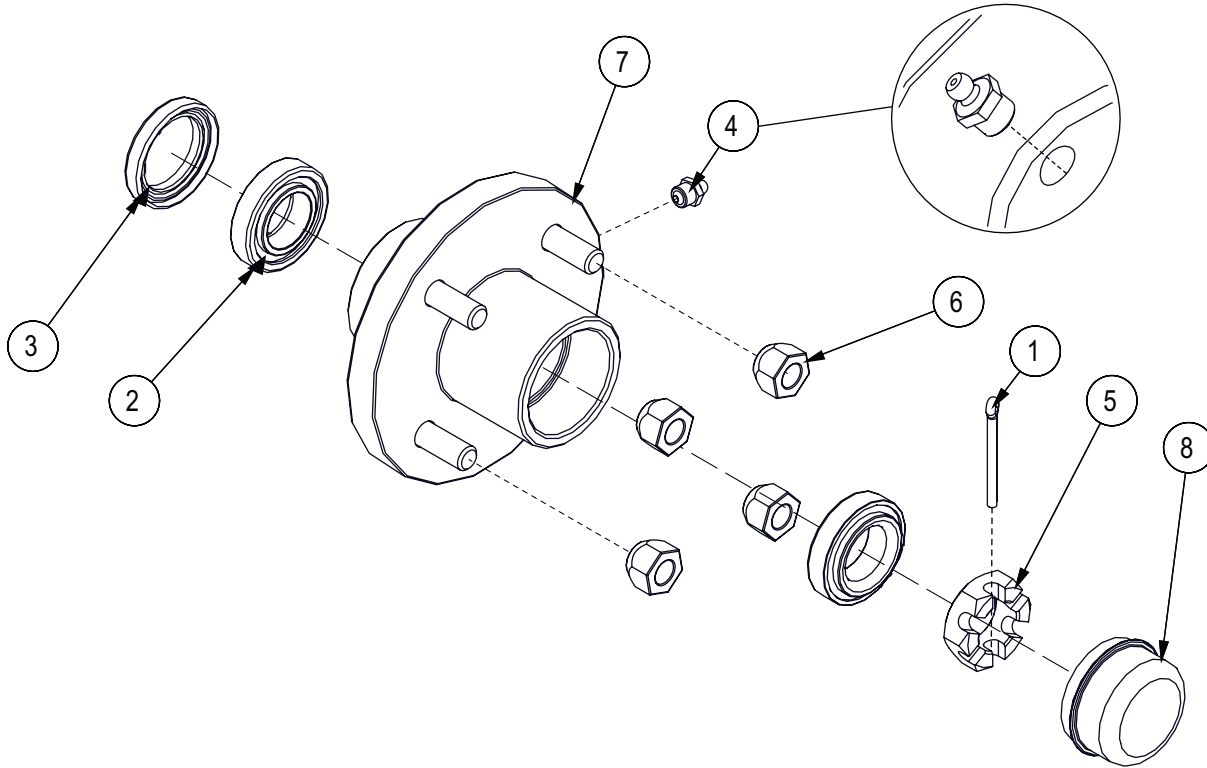
Feed Roller Control – S/N 2E9US11121S051028 & Up



Item	Part No.	Description	Qty
1	1060W302	Detent Reset Weldment, CR100	1
2	1060L303	Sensor Box Lid	1
3	1060L402	Feed Pickup Trigger	1
4	1060L403H	Switch Mount Plate, RH	1
5	1015M537	Bushing, Bearing	2
6	1060L305	Control Base Pivot Link	1
7	Z21203	Ball Bearing, 6202-2RS	1
8	Z31401	Ext Spring, 3/4" OD x 4" x 0.105"	1
9	Z62819	Rubberized Wire Clamp, 1/2"	2
10	Z62823	Rubber Grommet, 5/8" x 1/8"	2
11	Z66115	Limit Switch, Roller Tip x M12	2
12	Z71110	Hex Bolt, 1/4NC x 1"	2
13	Z71420	Hex Bolt, 7/16NC x 2"	1
14	Z72202	Hex Lock Nut, #8NC	4
15	Z72211	Hex Lock Nut, 1/4NC	5
16	Z72221	Hex Lock Nut, 5/16NC	4

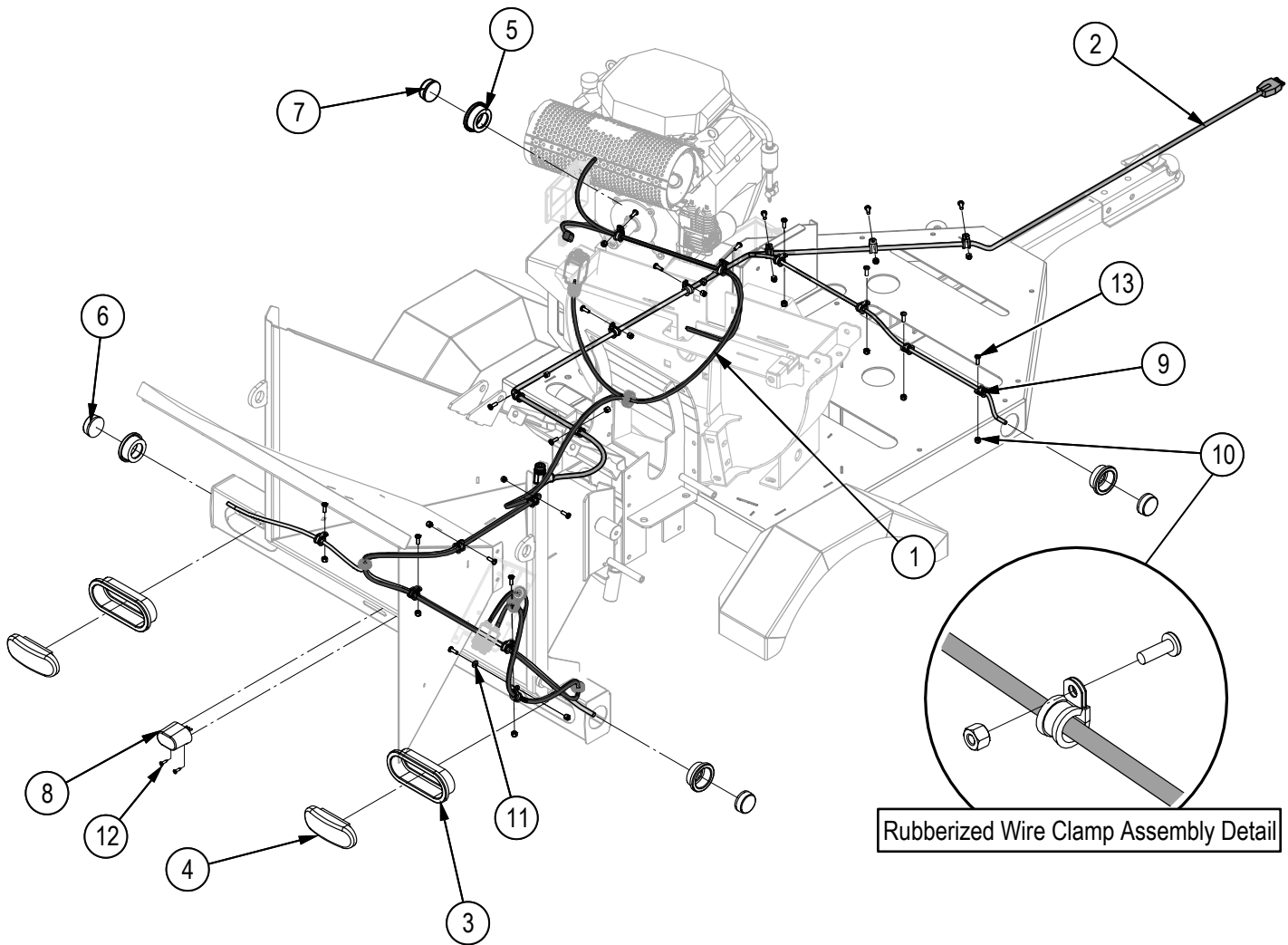
Item	Part No.	Description	Qty
17	Z72241	Hex Lock Nut, 7/16NC	1
18	Z72271	Hex Lock Nut, 3/4NC	1
19	Z72954	Rivet Nut, #10NF x 130	4
20	Z73111	SAE Washer, 1/4"	3
21	Z73122	SAE Washer, 5/16"	2
22	Z73123	Rubber Washer, 5/16" x 0.093"	3
23	Z73171	SAE Washer, 3/4"	1
24	Z73222	PTFE Washer, 5/16 x 0.080"	4
25	Z75103	SHCS, #8NC x 1"	4
26	Z75522	Shoulder Bolt, 5/16" x 1/2"	2
27	Z75574	Shoulder Bolt, 3/4" x 1"	1
28	Z76221	Carriage Bolt, 5/16NC x 3/4"	3
29	Z76522	Eye Bolt, 5/16NC x 2"	1
30	Z78301	Machine Screw, 1/4NC x 3/4"	1
31	Z78303	Machine Screw, #10NF x 1/2"	4

Hub Assembly



Item	Part No.	Description	Qty
1	Z12321	Cotter Pin, 3/16" x 1-3/4"	1
2	Z23202	Roller Bearing, L44649 L44610	2
3	Z28302	Double Lip Seal, 1-1/16"	1
4	Z29201	Grease Fitting, MP02	1
5	Z72691	Castle Nut, 1NF x 9/16" Thick	1
6	Z72931	Lug Nut, 1/2NF	4
7	Z91201	Hub, 1000lbs x 4on4	1
8	Z91801	Dust Cap, 1.98 Bore	1

Lights & Harness – S/N 2E9US11121S051001 to 2E9US1115LS051035



Item No.	Part No.	Description	Qty
1	1063F006	Harness, BXTR52 Logic	1
2	1063F007	Harness, BXTR52 Lights	1
3	Z61103	Grommet, Oval x Open Back	2
4	Z61114	STT LED, Oval x Red	2
5	Z61202	Grommet, Round x Open Back	4
6	Z61210	Marker LED, Round x Red	2
7	Z61211	Marker LED, Round x Amber	2
8	Z61301	License Lamp, White	1
9	Z62819	Rubberized Wire Clamp, 1/2"	19
10	Z72211	Hex Lock Nut, 1/4NC	19
11	Z73111	SAE Washer, 1/4"	1
12	Z76712	Self-tapping Screw, #10 x 3/4"	2
13	Z78301	Machine Screw, 1/4NC x 3/4"	19

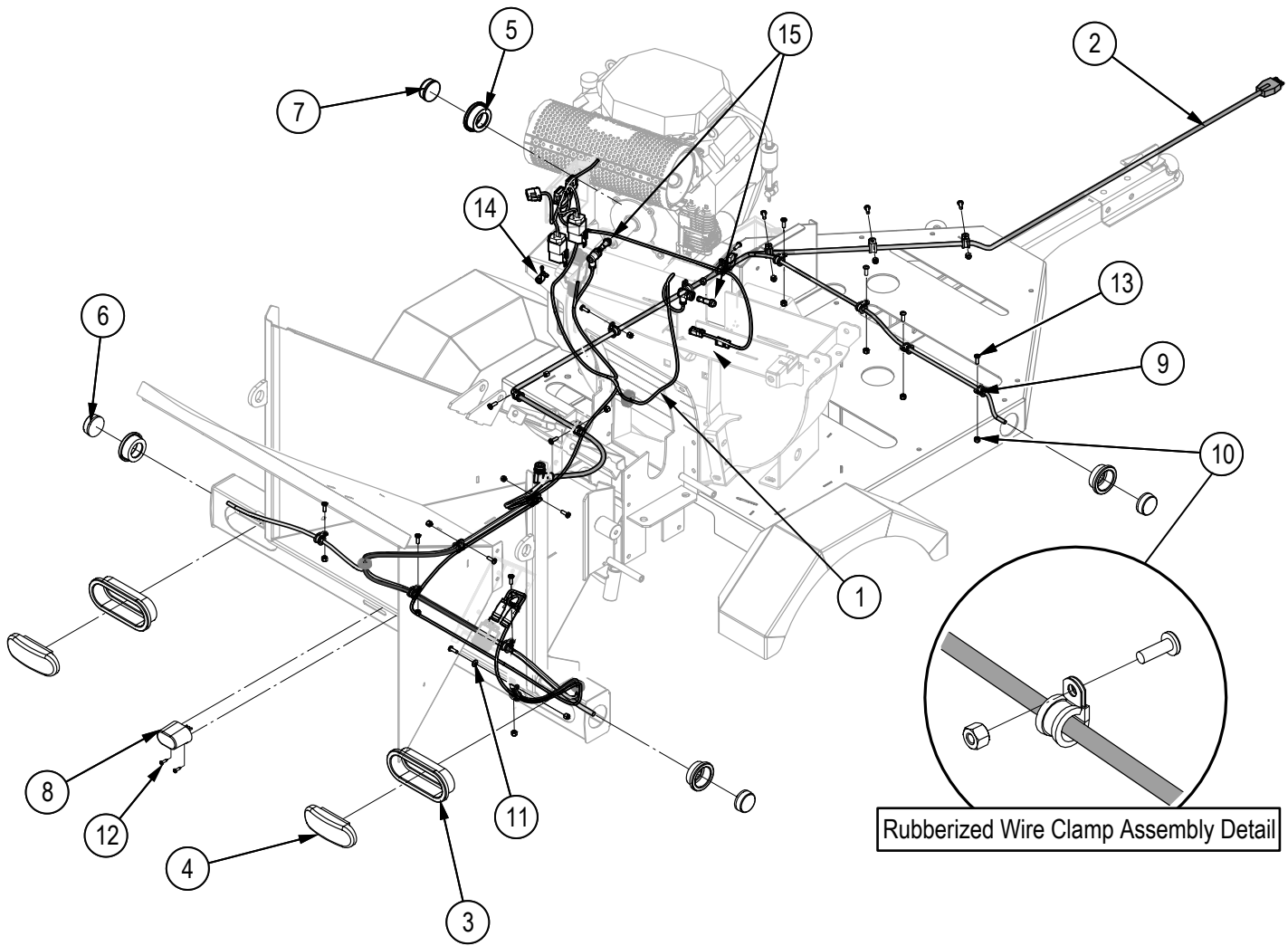
IMPORTANT! When assembling or replacing wire harnesses, apply a thin coating of silicone dielectric grease to the harness connectors.

Clean off any corrosion or loose particles, then apply a small amount to the surfaces of the connectors where they meet. The grease helps to stop any possibility of future corrosion.

Reassemble the connection. Wipe off any grease that squeezes out.

Rev A and B

Lights & Harness – S/N 2E9US1115LS051036 to 2E9US1119MS051056



Rubberized Wire Clamp Assembly Detail

Item No.	Part No.	Description	Qty
1	1063F014	Harness, BXTR52 Logic	1
2	1063F007	Harness, BXTR52 Lights	1
3	Z61103	Grommet, Oval x Open Back	2
4	Z61114	STT LED, Oval x Red	2
5	Z61202	Grommet, Round x Open Back	4
6	Z61210	Marker LED, Round x Red	2
7	Z61211	Marker LED, Round x Amber	2
8	Z61301	License Lamp, White	1
9	Z62819	Rubberized Wire Clamp, 1/2"	19
10	Z72211	Hex Lock Nut, 1/4NC	19
11	Z73111	SAE Washer, 1/4"	1
12	Z76712	Self-tapping Screw, #10 x 3/4"	2
13	Z78301	Machine Screw, 1/4NC x 3/4"	19
14	Z62828	Cable Clamp, P-Type Push In 1/2"	2
15	Z64406	Prox Sensor, 12mm NO x 4mm x M12	2

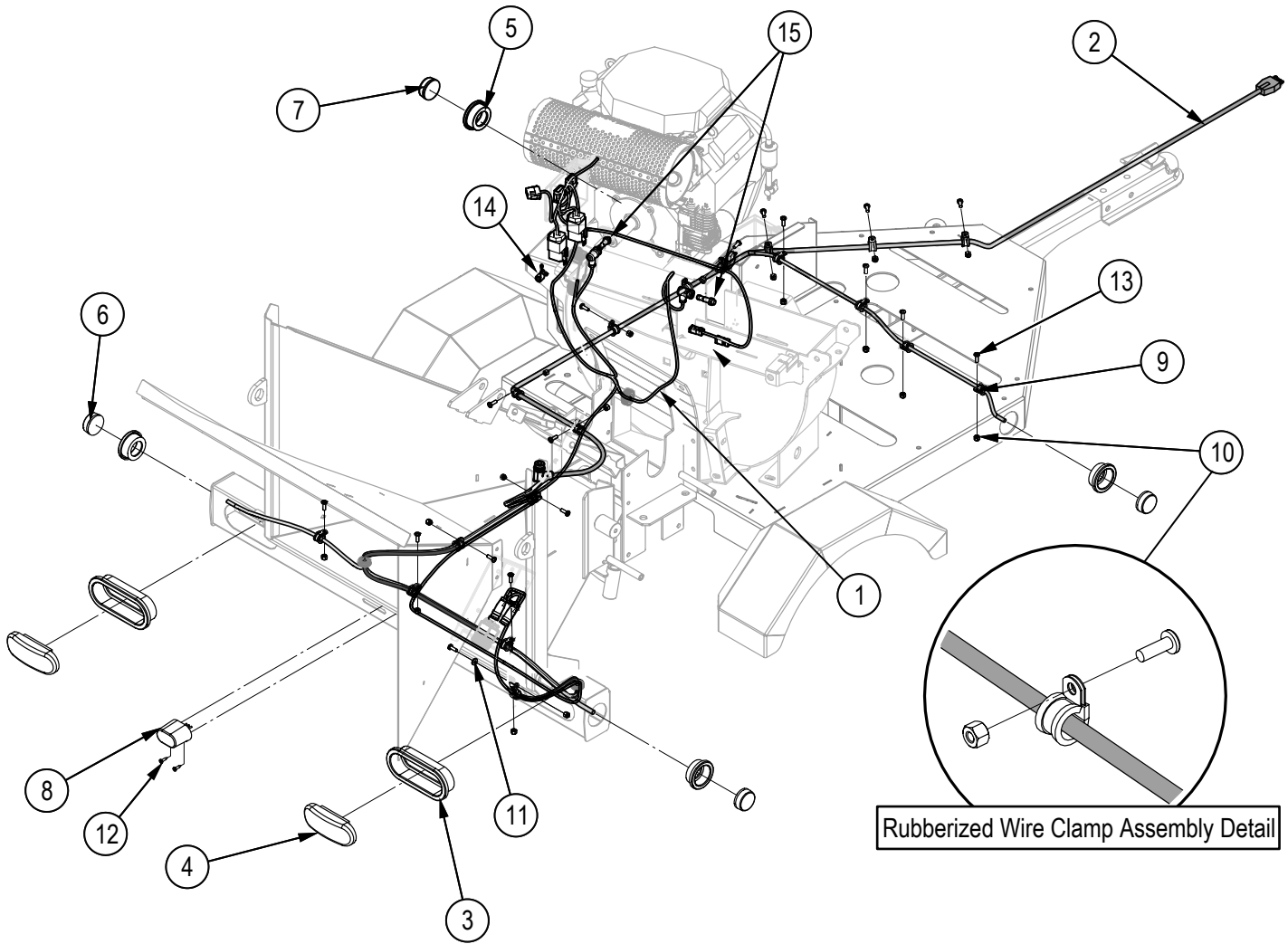
IMPORTANT! When assembling or replacing wire harnesses, apply a thin coating of silicone dielectric grease to the harness connectors.

Clean off any corrosion or loose particles, then apply a small amount to the surfaces of the connectors where they meet. The grease helps to stop any possibility of future corrosion.

Reassemble the connection. Wipe off any grease that squeezes out.

Rev C

Lights & Harness – S/N 2E9US1119MS051057 & up



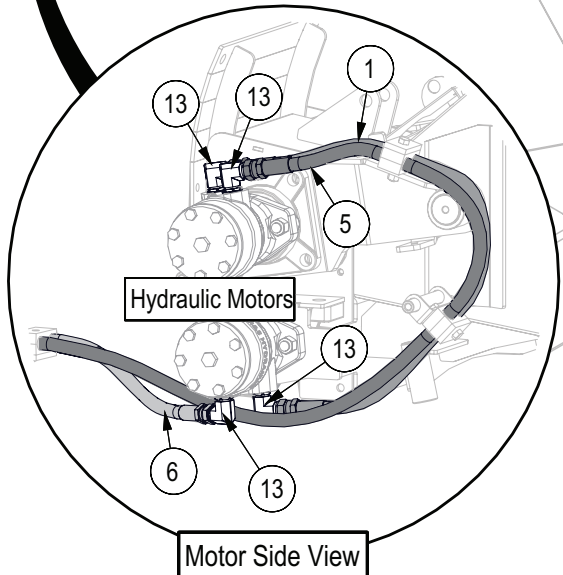
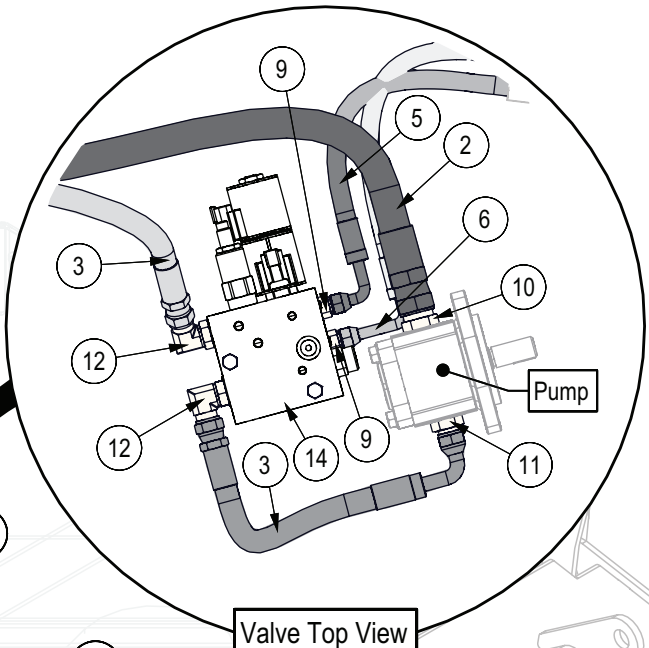
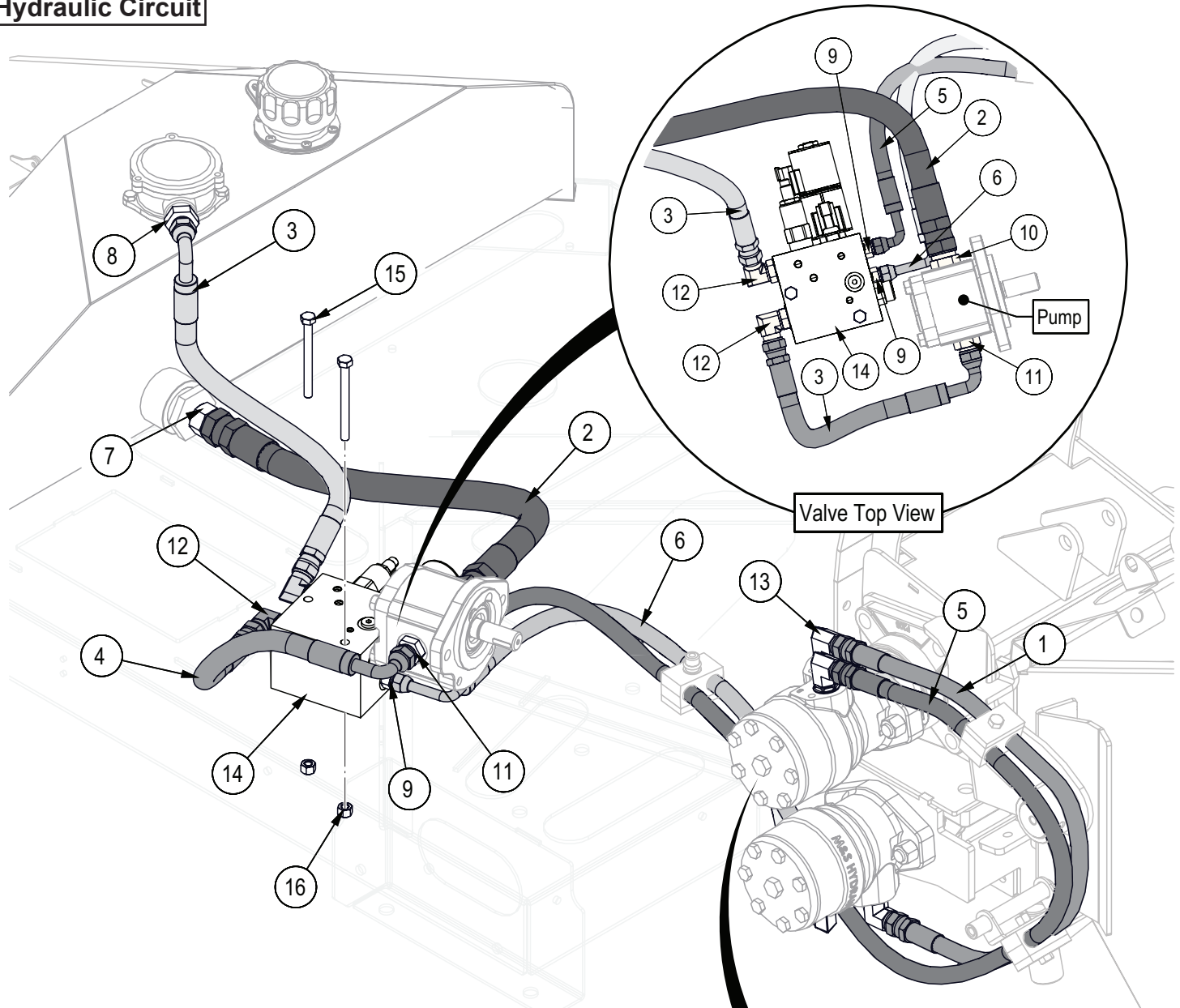
Rubberized Wire Clamp Assembly Detail

Item No.	Part No.	Description	Qty
1	1063F016	Harness, BXTR52 Logic	1
2	1063F007	Harness, BXTR52 Lights	1
3	Z61103	Grommet, Oval x Open Back	2
4	Z61114	STT LED, Oval x Red	2
5	Z61202	Grommet, Round x Open Back	4
6	Z61210	Marker LED, Round x Red	2
7	Z61211	Marker LED, Round x Amber	2
8	Z61301	License Lamp, White	1
9	Z62819	Rubberized Wire Clamp, 1/2"	19
10	Z72211	Hex Lock Nut, 1/4NC	19
11	Z73111	SAE Washer, 1/4"	1
12	Z76712	Self-tapping Screw, #10 x 3/4"	2
13	Z78301	Machine Screw, 1/4NC x 3/4"	19
14	Z62828	Cable Clamp, P-Type Push In 1/2"	2
15	Z64406	Prox Sensor, 12mm NO x 4mm x M12	2

IMPORTANT! When assembling or replacing wire harnesses, apply a thin coating of silicone dielectric grease to the harness connectors. Clean off any corrosion or loose particles, then apply a small amount to the surfaces of the connectors where they meet. The grease helps to stop any possibility of future corrosion. Reassemble the connection. Wipe off any grease that squeezes out.

Rev D

Hydraulic Circuit

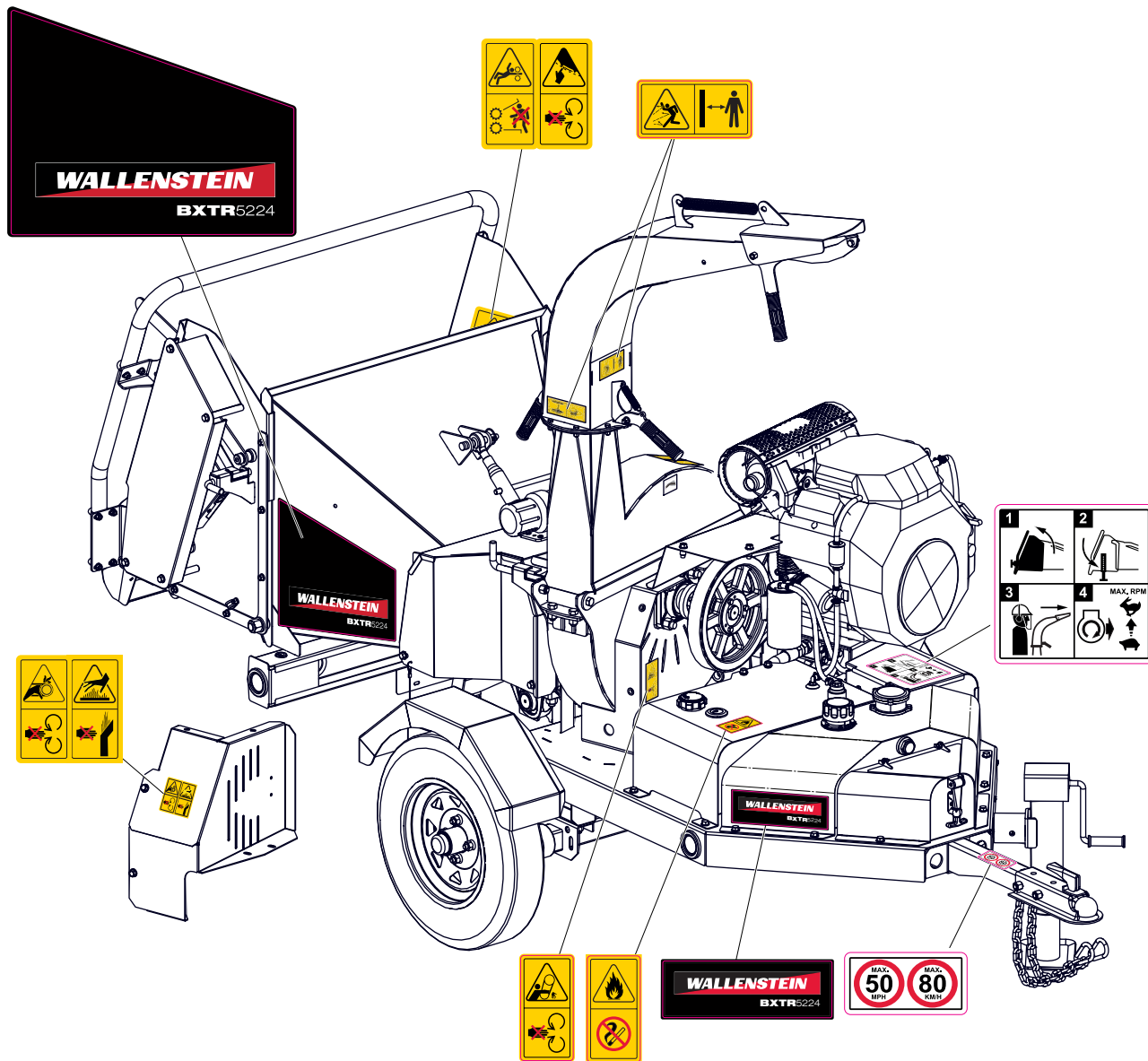


Item No.	Part No.	Description	Qty
1	1024F501	3/8" Hose, FJIC08 x FJIC08 x 31"	1
2	1063F001	3/4" Hose, FJIC12 x FJIC12 x 17"	1
3	1063F002	1/2" Hose, FJIC08 x 90FJIC08 x 17"	1
4	1063F003	1/2" Hose, FJIC08 x 90FJIC08 x 11"	1
5	1063F004	3/8" Hose, FJIC08 x 90FJIC06 x 58"	1
6	1063F005	3/8" Hose, FJIC08 x 90FJIC06 x 25"	1
7	Z514401	Straight, MJIC x MP 1212	1
8	Z51447	Straight, MJIC x MP 0812	1
9	Z51641	Straight, MJIC x MORB 0606	2
10	Z51661	Elbow 45, MJIC x MORB 1210	1
11	Z51647	Straight, MJIC x MORB 0810	1
12	Z51653	Elbow 90, MJIC x MORB 0808	2
13	Z51658	Elbow 90, MJIC x MORB 0810	4
14	Z56508	Single Spool Valve, OC Tandem PROPSOL x 6GPM	1
15	Z71235	Hex Bolt, 5/16NC x 3-1/2"	2
16	Z72221	Hex Lock Nut, 5/16NC	2

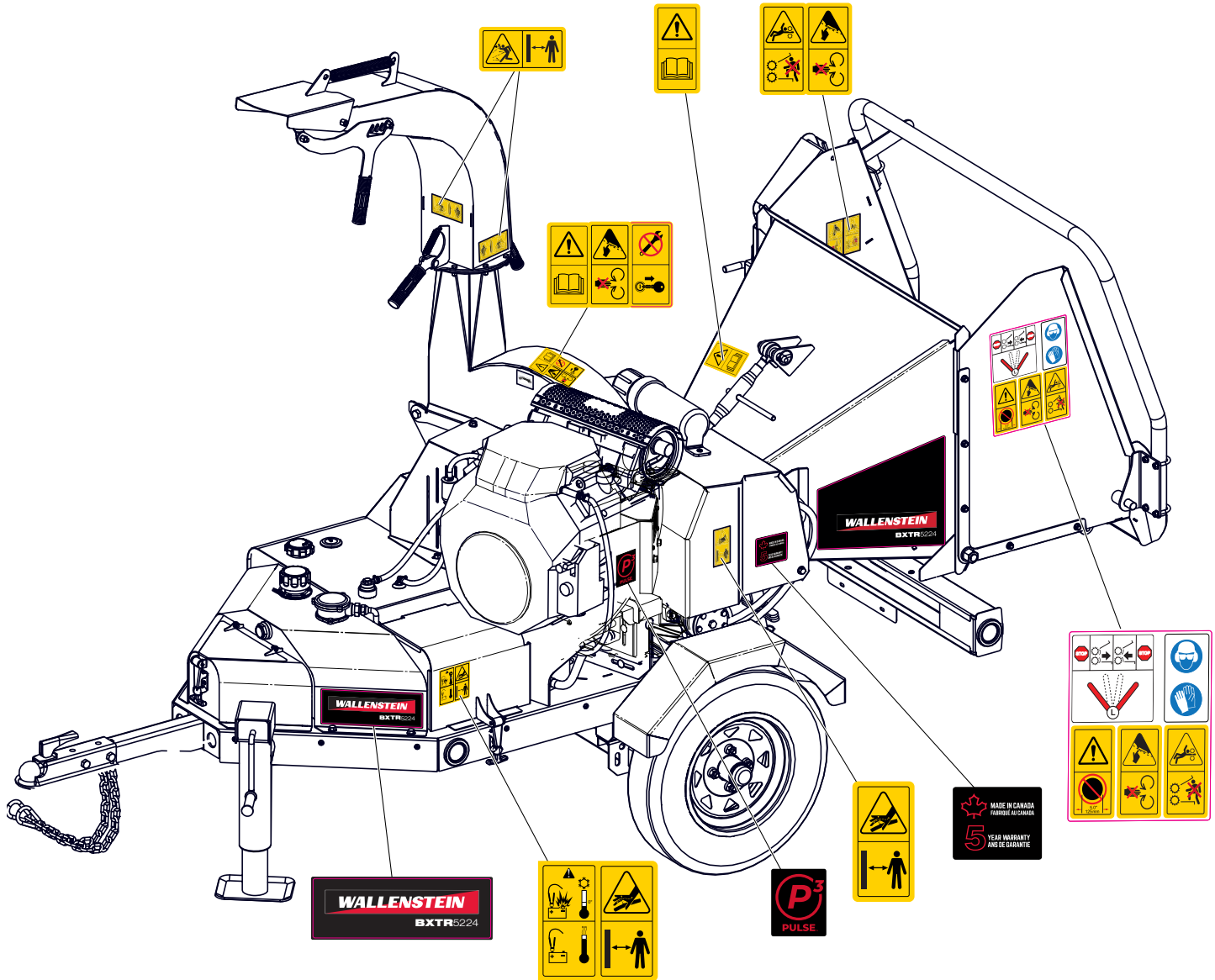
Decal Layout

IMPORTANT! If parts are replaced that have safety signs on them, new signs must be applied. Safety signs must always be replaced if they become damaged, are removed, or become illegible.

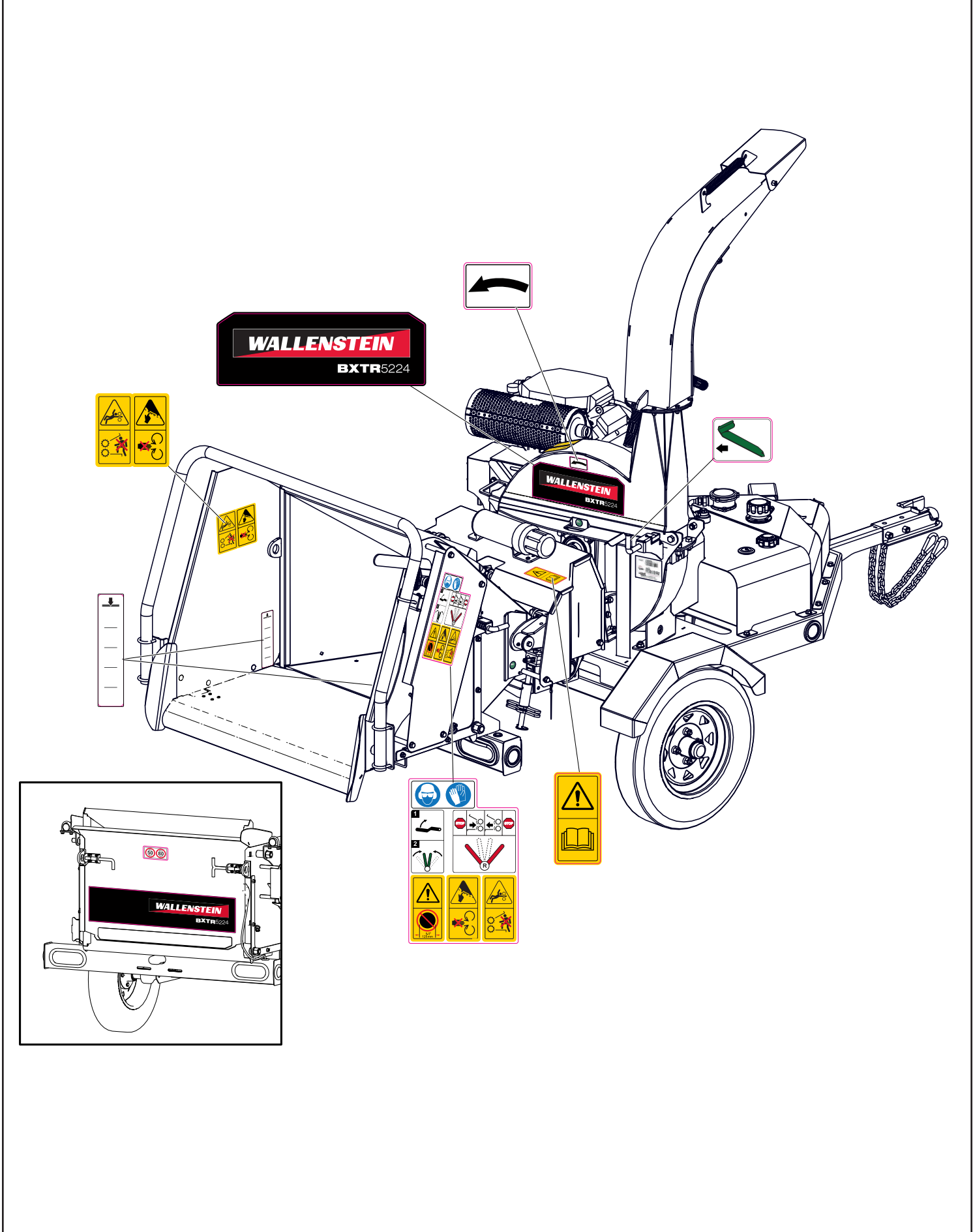
Safety signs are included in the product decal kit available from your authorized dealer. Decals are not available separately.



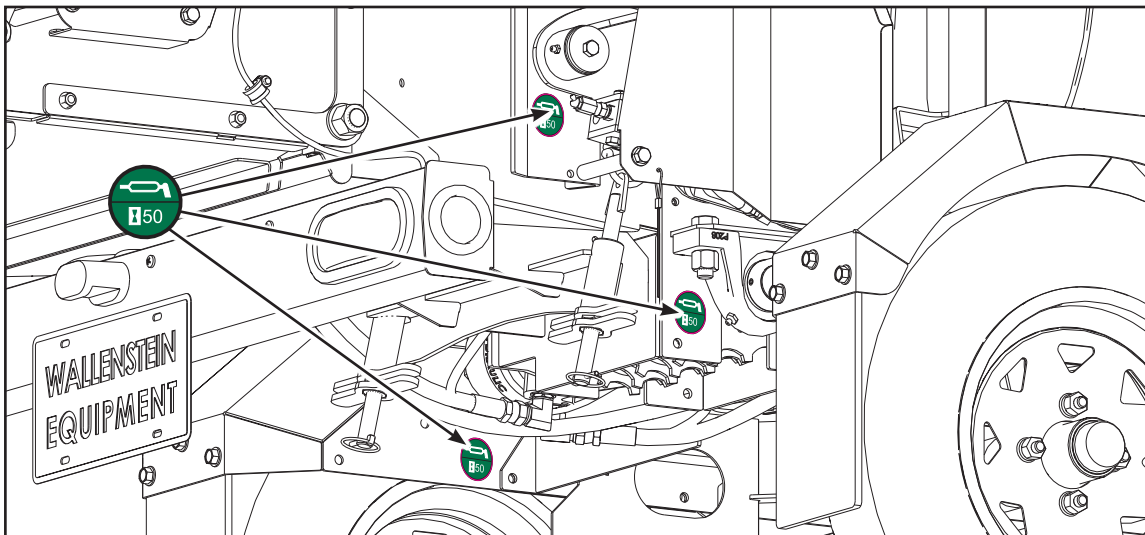
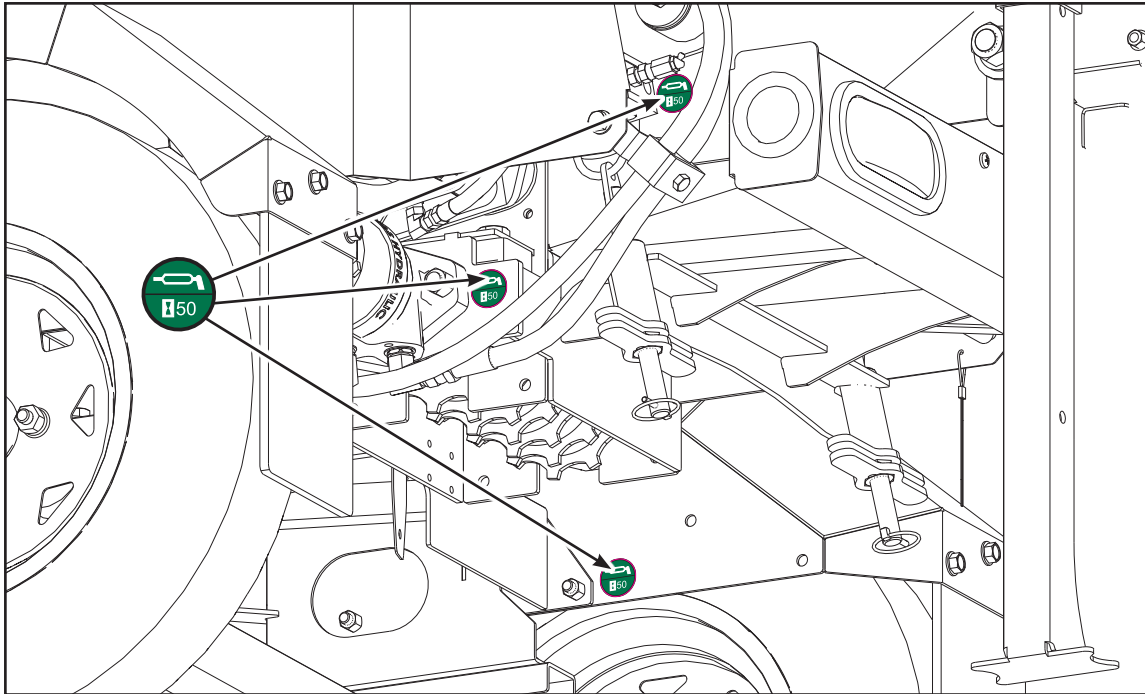
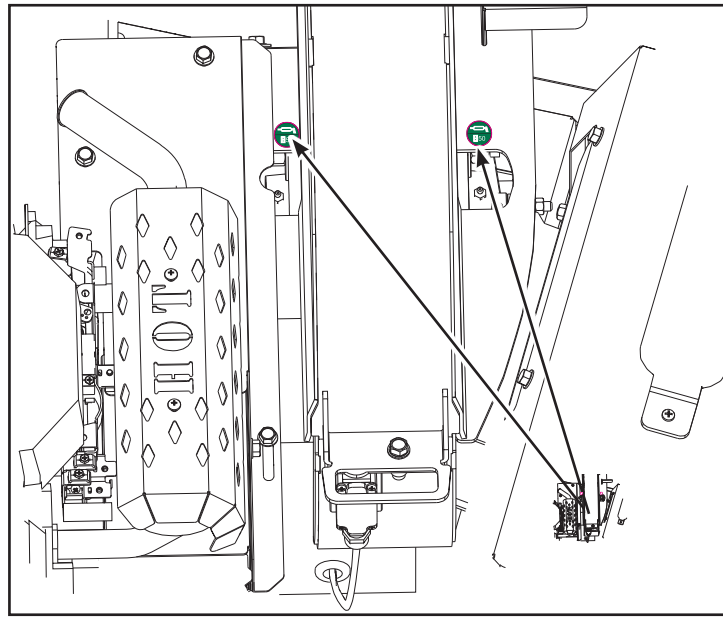
Decal Layout



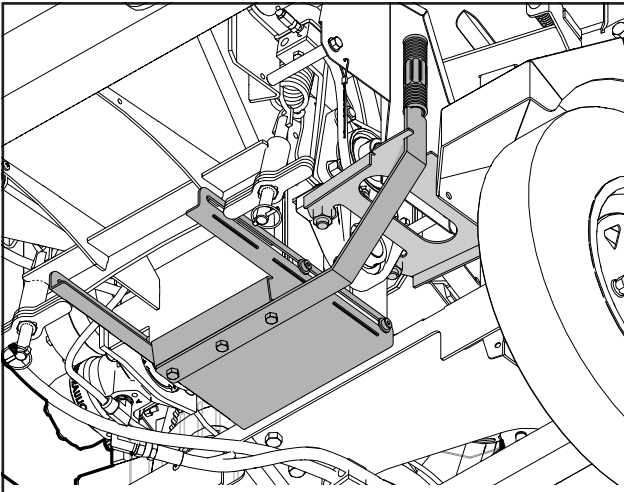
Decal Layout



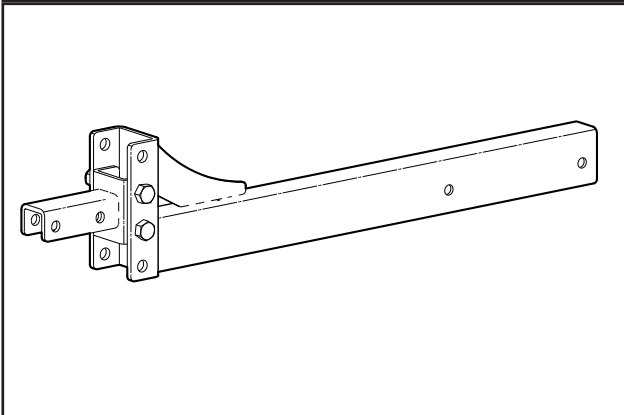
Decal Layout



Accessories



**Feed Roller Clean-out Tray Kit
P/N 1063A101**



**Ladder Hitch Kit
P/N 1063A102**

Call your dealer for pricing and availability


Bolt Torque

Checking Bolt Torque

The tables shown give correct torque values for various bolts and capscrews. Tighten all bolts to the torque values specified in the table, unless indicated otherwise. Check tightness of bolts periodically.

IMPORTANT! If replacing hardware, use fasteners of the same grade.

IMPORTANT! Torque figures indicated in the table are for non-greased or non-oiled threads. Do not grease or oil threads unless indicated otherwise. When using a thread locker, increase torque values by 5%.

 **NOTE:** Bolt grades are identified by their head markings.

Imperial Bolt Torque Specifications						
Bolt Diameter	Torque Value					
	SAE Gr. 2		SAE Gr. 5		SAE Gr. 8	
	lbf•ft	N•m	lbf•ft	N•m	lbf•ft	N•m
1/4"	6	8	9	12	12	17
5/16"	10	13	19	25	27	36
3/8"	20	27	33	45	45	63
7/16"	30	41	53	72	75	100
1/2"	45	61	80	110	115	155
9/16"	60	95	115	155	165	220
5/8"	95	128	160	215	220	305
3/4"	165	225	290	390	400	540
7/8"	170	230	420	570	650	880
1"	225	345	630	850	970	1320



Metric Bolt Torque Specifications				
Bolt Diameter	Torque Value			
	Gr. 8.8		Gr. 10.9	
	lbf•ft	N•m	lbf•ft	N•m
M3	0.4	0.5	1.3	1.8
M4	2.2	3	3.3	4.5
M6	7	10	11	15
M8	18	25	26	35
M10	37	50	52	70
M12	66	90	92	125
M14	83	112	116	158
M16	166	225	229	310
M20	321	435	450	610
M30	1,103	1 495	1,550	2 100



Hydraulic Fitting Torque

Tightening Flare Type Tube Fittings

1. Check flare and flare seat for defects that might cause leakage.
2. Align tube with fitting before tightening.
3. Hand-tighten swivel nut until snug.
4. To prevent twisting the tube, use two wrenches. Place one wrench on the connector body and tighten the swivel nut with the second. Torque to values shown.

If a torque wrench is not available, use the FFFT (Flats From Finger Tight) method.

Hydraulic Fitting Torque					
Tube Size OD	Hex Size Across Flats	Torque value		Flats From Finger Tight	
		lbf•ft	N•m	Flats	Turns
3/16	7/16	6	8	2	1/6
1/4	9/16	11–12	15–17	2	1/6
5/16	5/8	14–16	19–22	2	1/6
3/8	11/16	20–22	27–30	1-1/4	1/6
1/2	7/8	44–48	59–65	1	1/6
5/8	1	50–58	68–79	1	1/6
3/4	1-1/4	79–88	107–119	1	1/8
1	1-5/8	117–125	158–170	1	1/8

Values shown are for non-lubricated connections.

Wheel Lug Torque

It is extremely important safety procedure to apply and maintain proper wheel mounting torque on your trailer axle. Torque wrenches are the best method to assure the proper amount of torque is being applied to a fastener.

Wheel lugs should be torqued before first road use and after each wheel removal. Check and re torque after the first 10 miles (16 km), 25 miles (40 km), and again at 50 miles (80 km). Check periodically thereafter.

NOTE: *Wheel lugs must be applied and maintained at the proper torque levels to prevent loose wheels, broken studs, and possible dangerous separation of wheels from your axle.*

- Start all lugs by hand to prevent cross threading.
- Tighten lugs in sequence, per wheel lug torque sequence chart.
- The tightening of the fasteners should be done in stages. Following the recommended sequence, tighten fasteners per wheel torque requirements chart.

Wheel Lug Nut Torque				
Wheel Size	Units	1st Stage	2nd Stage	3rd Stage
8"	lbf•ft N•m	12–20 16–26	30–35 39–45.5	45–55 58.5–71.5
12"	lbf•ft N•m	20–25 26–32.5	35–40 45.5–52	50–60 65–78
13"	lbf•ft N•m	20–25 26–32.5	35–40 45.5–52	50–60 65–78
14"	lbf•ft N•m	20–25 26–32.5	50–60 65–78	90–120 117–156
15"	lbf•ft N•m	20–25 26–32.5	50–60 65–78	90–120 117–156
16"	lbf•ft N•m	20–25 26–32.5	50–60 65–78	90–120 117–156

Wheel Lug Torque Pattern

