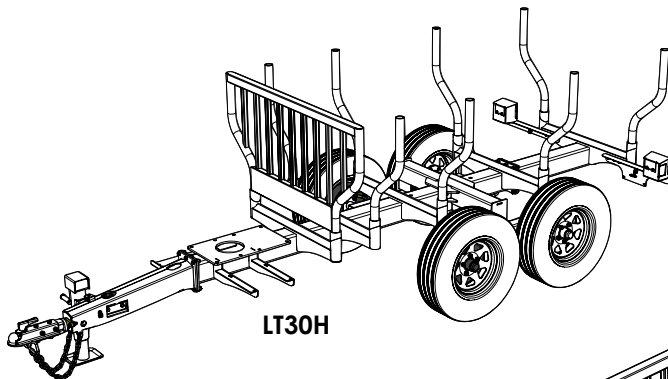




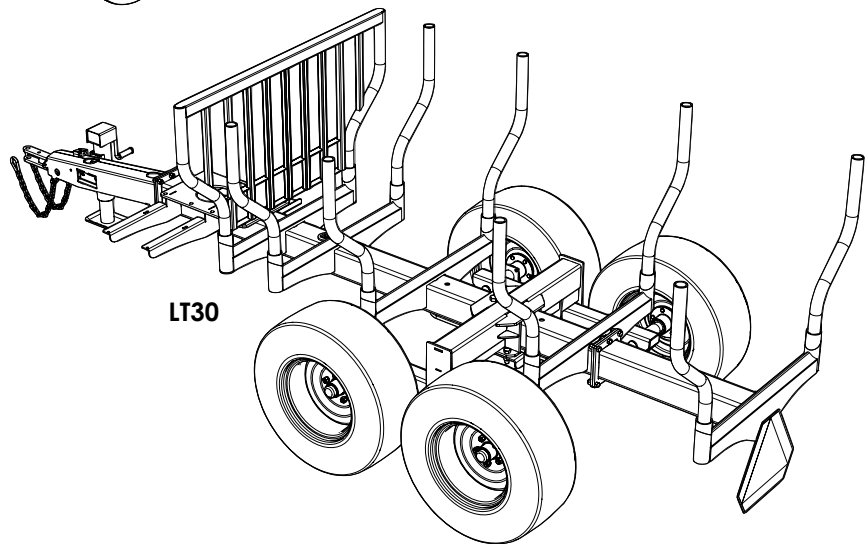
EMB Manufacturing Inc.  
4144 Boomer Line · St. Clements, On · N0B 2M0 · Canada  
Ph: (519) 699-9283 · Fax: (519) 699-4146  
[www.embmfg.com](http://www.embmfg.com)

# LT30 Timber Talon Log Trailer Parts Manual

LT30H & LT30HA starting with S/N 2E9US1110DS030001-2E9US1116FS030005  
LT30 & LT30A starting with S/N 30T1 - 30T26



LT30H



LT30

# Table of Contents

**LX95 / LT30 VARIATION CHART** ..... 3  
**MAIN FRAME ASS'Y** ..... 4  
**AXLE ASS'Y** ..... 5  
**TONGUE ASS'Y** ..... 6  
**TAIL ASS'Y**..... 6  
**HUB ASS'Y**..... 7  
**BRAKE DRUM ASS'Y**..... 7  
**HYDRAULIC BRAKE ASS'Y** ..... 8  
**HYDRAULIC SURGE BRAKE ASS'Y** ..... 8  
**HYDRAULIC TANDEM OPTION** ..... 9  
**CYLINDER SEAL INSTALLATION**..... 10  
**HYDRAULIC TANDEM CYLINDER** ..... 10  
**HYDRAULIC TANDEM SCHEMATIC** ..... 11  
**LABELS** 12  
**ACCESSORIES** ..... 13

## Foreword

EMB Mfg. has prepared this parts manual to assist customers in ordering quality OEM replacement parts.

Proper and regular service and replacing old, worn or broken parts with the correct OEM parts are essential to prolonging the life of your EMB product. Please refer to this manual before ordering any replacement parts.

All information contained in this parts manual is based on the latest product specification available at the time of printing this manual. If your product differs from the specifications contained within this manual contact EMB Mfg. for information.

EMB reserves the right to alter specifications on their products at any time.

Reproduction of this parts manual of any kind is prohibited without prior written permission from EMB Mfg.



Refer to the operators manual for safe operation and maintenance

For parts and information please contact your dealer. If your dealer is no longer available please go to our website: <http://www.embmfg.com> and click on "FIND A DEALER NEAR YOU" for information on a local dealer.

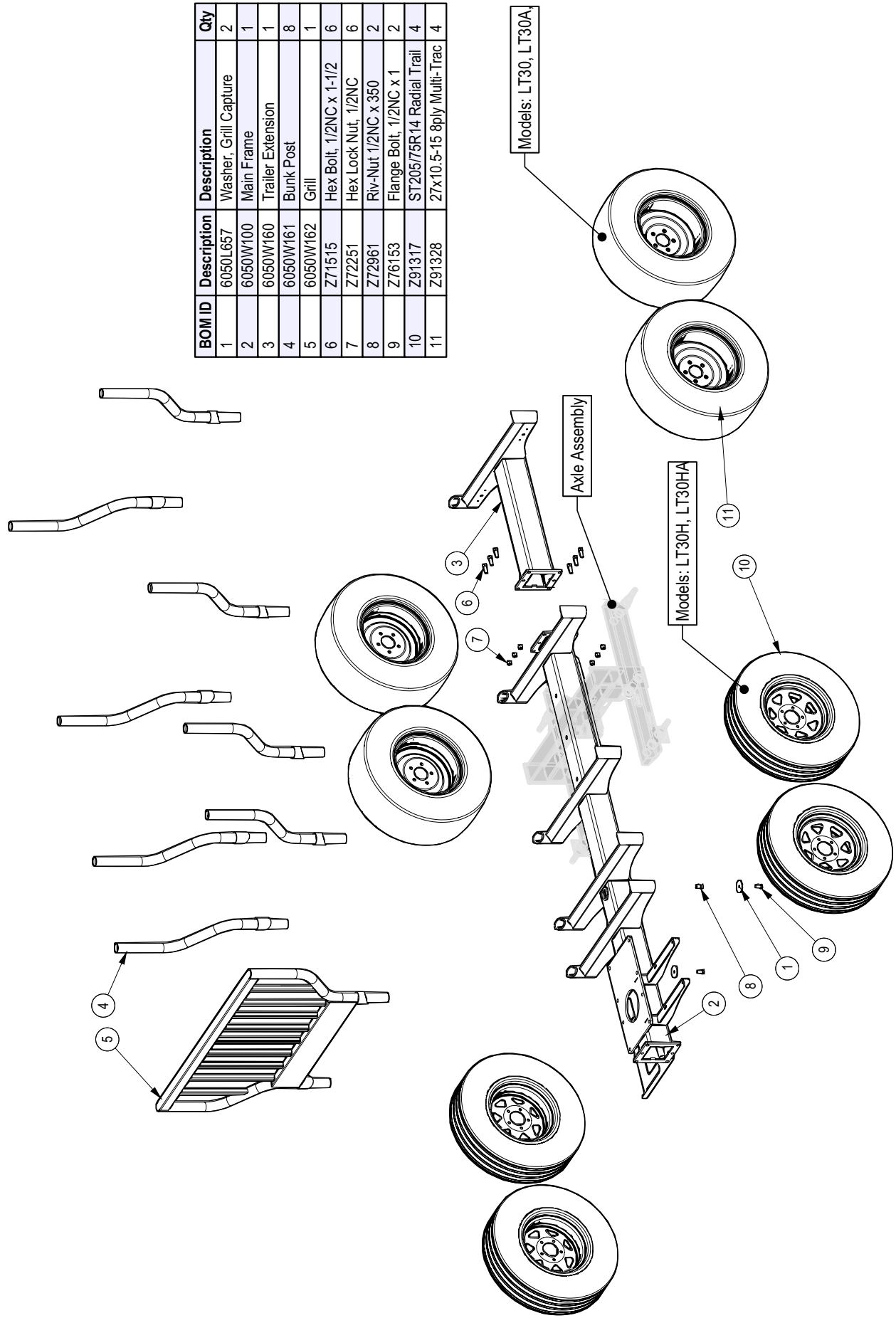
**LX95 / LT30 Variation Chart**

The LX / LT series of Timber Talon Grapples and Log Trailers are available with different options and features. Use the chart below to identify your particular model when ordering parts.

<b>LX95 / LT30 Timber Talon Comparison Chart</b>		Boom Mounting Combination		Three Point Hitch	Trailer / Bunk Posts	Dual Speed Winch	Surge Brakes	Highway Kit	Hydraulic Tandem
	Grapple Boom	LX95	X						
	Grapple Boom Off Road Trailer	LX95	LT30		✓				
	Grapple Boom Trailer - ATV Kit	LX95	LT30A		✓		✓		✓
	Grapple Boom Trailer - Highway Kit	LX95	LT30H		✓		✓	✓	
	Grapple Boom Trailer - Highway & Hydraulic Tandem Kits	LX95	LT30HA		✓		✓	✓	✓
	Grapple Boom 3 Point Hitch Kit	LX95	L400	✓					
Winch Models	Grapple Boom with Winch	LX95PW	X			✓			
	Grapple Boom with Winch Trailer - ATV Kit	LX95W	LT30A		✓	✓	✓		✓
	Grapple Boom with Winch Trailer - Highway & Hydraulic Tandem Kits	LX95W	LT30HA		✓	✓	✓	✓	✓
	Grapple Boom with Winch Off Road Trailer	LX95PW	LT30		✓	✓			
	Grapple Boom with Winch Trailer - Highway Kit	LX95PW	LT30H		✓	✓	✓	✓	
	Grapple Boom with Winch 3 Point Hitch Kit	LX95PW	L400		✓	✓			

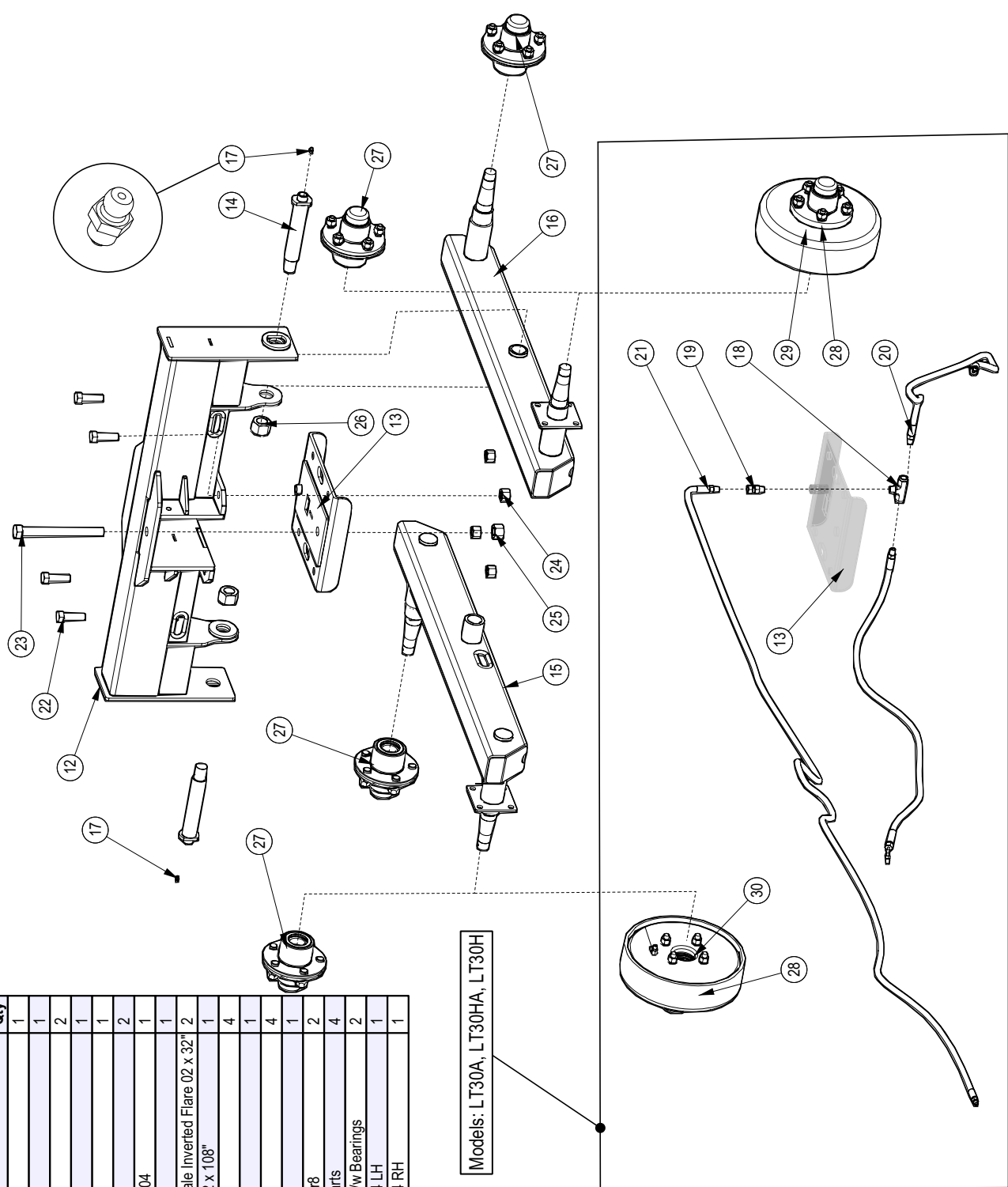
Main Frame Ass'y

BOM ID	Description	Description	Qty
1	6050L657	Washer, Grill Capture	2
2	6050W100	Main Frame	1
3	6050W160	Trailer Extension	1
4	6050W161	Bunk Post	8
5	6050W162	Grill	1
6	Z71515	Hex Bolt, 1/2NC x 1-1/2	6
7	Z72251	Hex Lock Nut, 1/2NC	6
8	Z72961	Riv-Nut 1/2NC x 350	2
9	Z76153	Flange Bolt, 1/2NC x 1	2
10	Z91317	ST205/75R14 Radial Trail	4
11	Z91328	27x10.5-15 8ply Multi-Trac	4



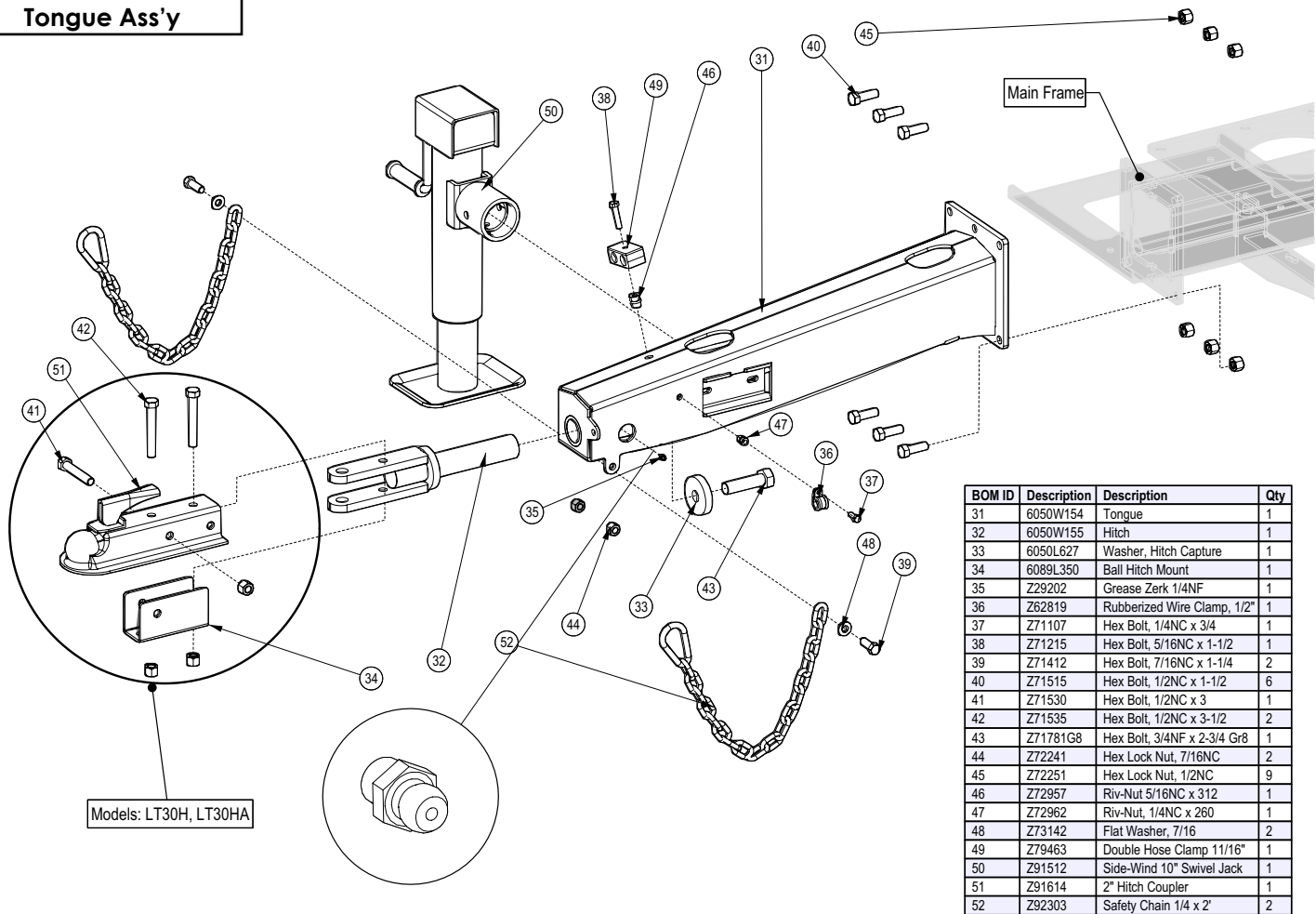
**Axle Ass'y**

BOM ID	Description	Qty
12	6050W/150 Axle	1
13	6050W/151 Axle Capture	1
14	6050W/157 Pin, Axle Main	2
15	6083W/330 Axle, RH Rocker	1
16	6083W/330H Axle, LH Rocker	1
17	Z29202 Grease Zerk 1/4NF	2
18	Z51162 Tee, FP x FP x MP 040404	1
19	Z51314 Straight, MP x FPx 0404	1
20	Z52141 1/4" Hose, MP04 x 45 Male Inverted Flare 02 x 32"	2
21	Z52142 1/4" Hose, MP04 x MP02 x 108"	1
22	Z71620 Hex Bolt, 5/8NC x 2	4
23	Z71775 Hex Bolt, 3/4NC x 7-1/2	1
24	Z72261 Hex Lock Nut, 5/8NC	4
25	Z72271 Hex Lock Nut, 3/4NC	1
26	Z72292/G8 Hex Lock Nut, 1-12NF Gr8	2
27	Z91207 Hub Assy, 1750# with Parts	4
28	Z91705 1750# Brake Drum 10" c/w Bearings	2
29	Z91706 Hydraulic Brake 10x2-1/4 LH	1
30	Z91707 Hydraulic Brake 10x2-1/4 RH	1



Models: LT30A, LT30HA, LT30H

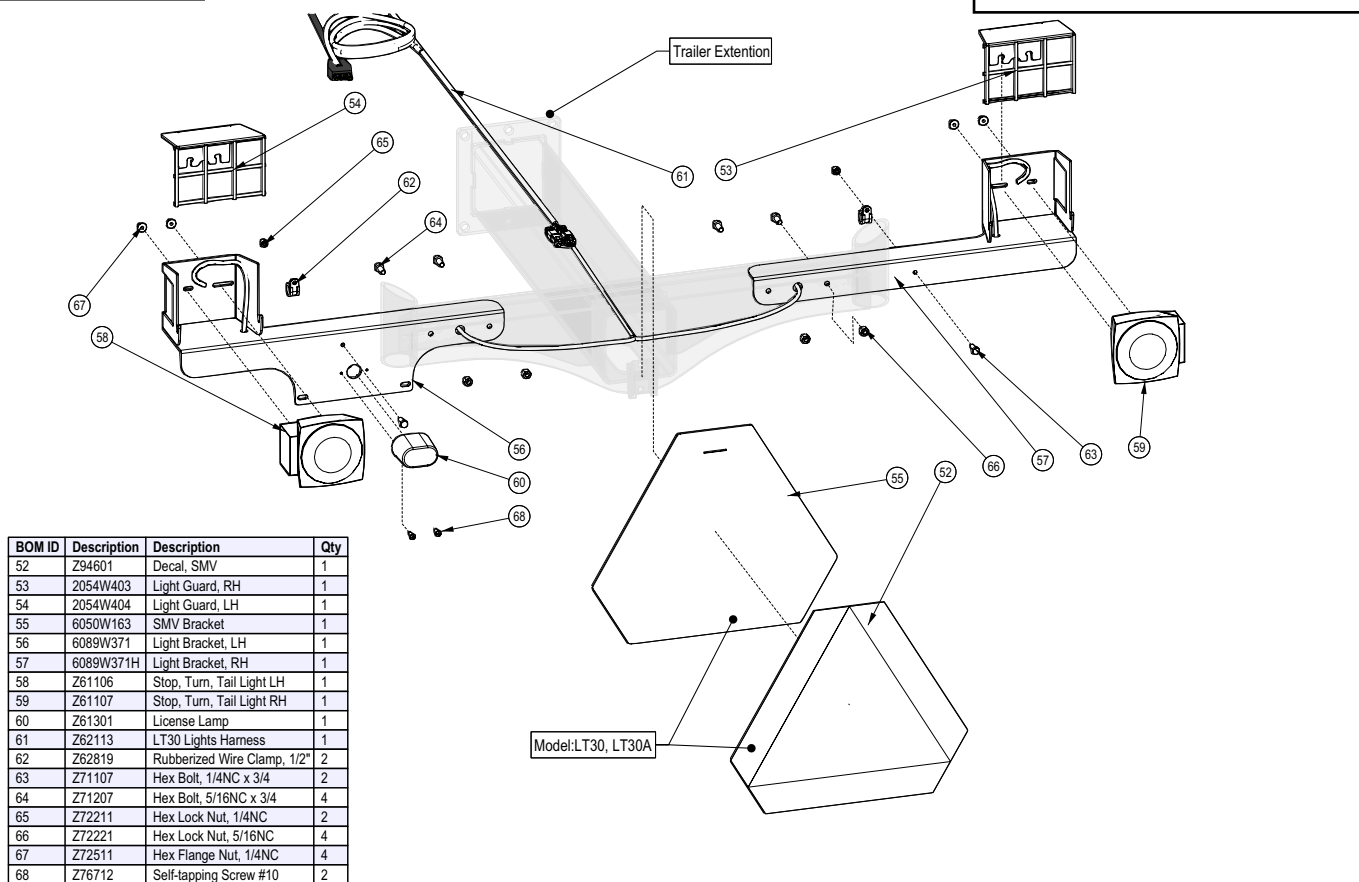
**Tongue Ass'y**



BOM ID	Description	Description	Qty
31	6050W154	Tongue	1
32	6050W155	Hitch	1
33	6050L627	Washer, Hitch Capture	1
34	6089L350	Ball Hitch Mount	1
35	Z29202	Grease Zerk 1/4NF	1
36	Z62819	Rubberized Wire Clamp, 1/2"	1
37	Z71107	Hex Bolt, 1/4NC x 3/4	1
38	Z71215	Hex Bolt, 5/16NC x 1-1/2	1
39	Z71412	Hex Bolt, 7/16NC x 1-1/4	2
40	Z71515	Hex Bolt, 1/2NC x 1-1/2	6
41	Z71530	Hex Bolt, 1/2NC x 3	1
42	Z71535	Hex Bolt, 1/2NC x 3-1/2	2
43	Z71781G8	Hex Bolt, 3/4NF x 2-3/4 Gr8	1
44	Z72241	Hex Lock Nut, 7/16NC	2
45	Z72251	Hex Lock Nut, 1/2NC	9
46	Z72957	Riv-Nut 5/16NC x 312	1
47	Z72962	Riv-Nut, 1/4NC x 260	1
48	Z73142	Flat Washer, 7/16	2
49	Z79463	Double Hose Clamp 11/16"	1
50	Z91512	Side-Wind 10" Swivel Jack	1
51	Z91614	2" Hitch Coupler	1
52	Z92303	Safety Chain 1/4 x 2'	2

**Tail Ass'y**

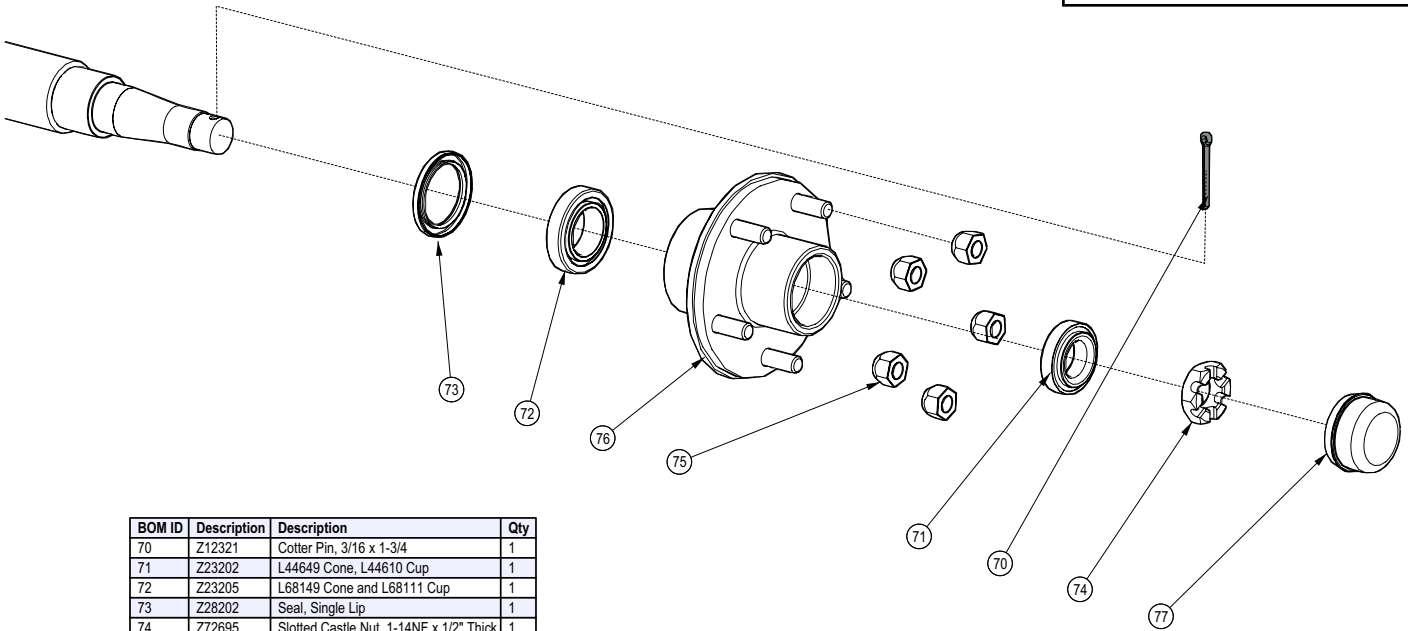
**Model LT30HA & LT30H**



BOM ID	Description	Description	Qty
52	Z94601	Decal, SMV	1
53	2054W403	Light Guard, RH	1
54	2054W404	Light Guard, LH	1
55	6050W163	SMV Bracket	1
56	6089W371	Light Bracket, LH	1
57	6089W371H	Light Bracket, RH	1
58	Z61106	Stop, Turn, Tail Light LH	1
59	Z61107	Stop, Turn, Tail Light RH	1
60	Z61301	License Lamp	1
61	Z62113	LT30 Lights Harness	1
62	Z62819	Rubberized Wire Clamp, 1/2"	2
63	Z71107	Hex Bolt, 1/4NC x 3/4	2
64	Z71207	Hex Bolt, 5/16NC x 3/4	4
65	Z72211	Hex Lock Nut, 1/4NC	2
66	Z72221	Hex Lock Nut, 5/16NC	4
67	Z72511	Hex Flange Nut, 1/4NC	4
68	Z76712	Self-tapping Screw #10	2

**Hub Ass'y**

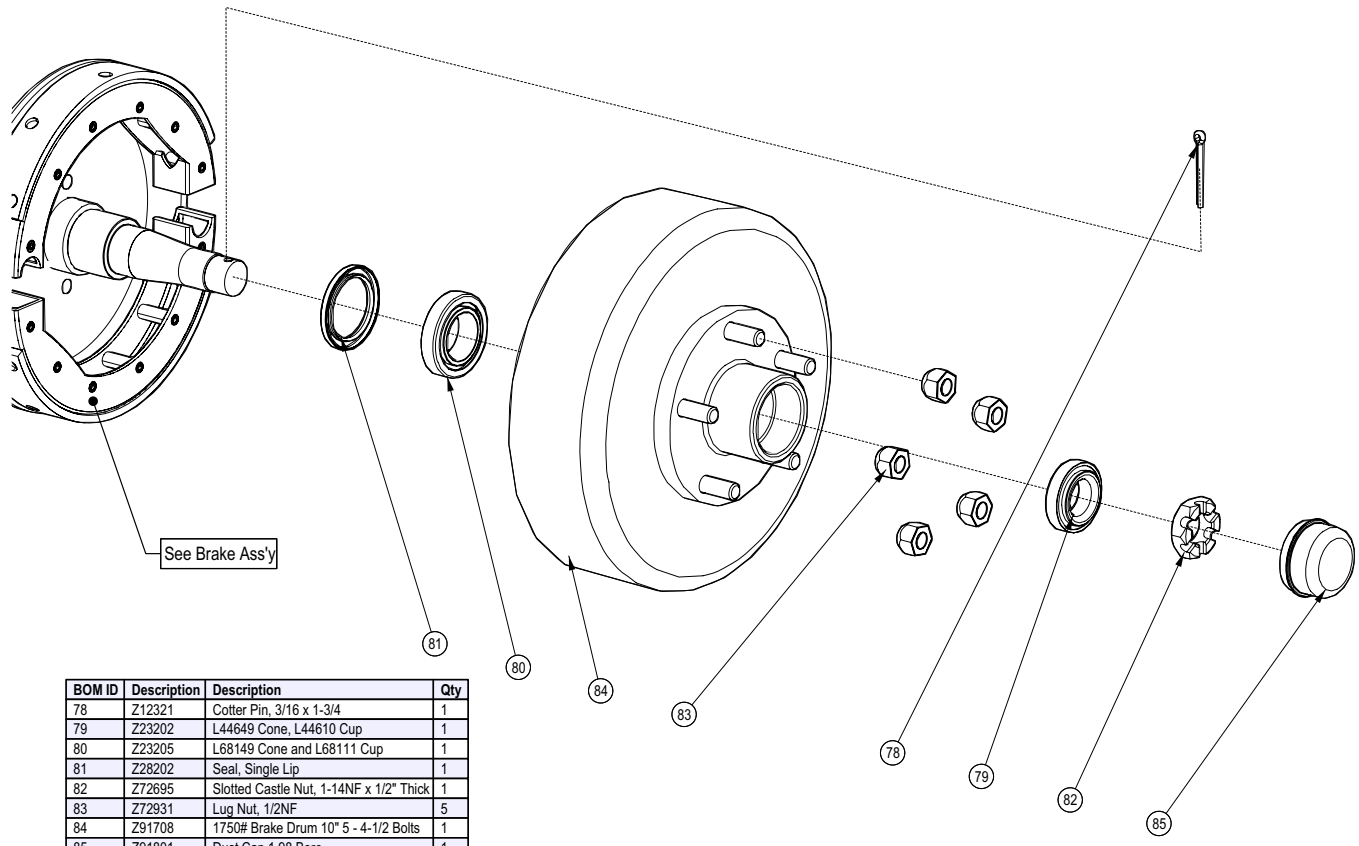
Model LT30



BOM ID	Description	Description	Qty
70	Z12321	Cotter Pin, 3/16 x 1-3/4	1
71	Z23202	L44649 Cone, L44610 Cup	1
72	Z23205	L68149 Cone and L68111 Cup	1
73	Z28202	Seal, Single Lip	1
74	Z72695	Slotted Castle Nut, 1-14NF x 1/2" Thick	1
75	Z72931	Lug Nut, 1/2NF	5
76	Z91208	1750# 5 on 4-1/2 Hub	1
77	Z91801	Dust Cap 1.98 Bore	1

**Brake Drum Ass'y**

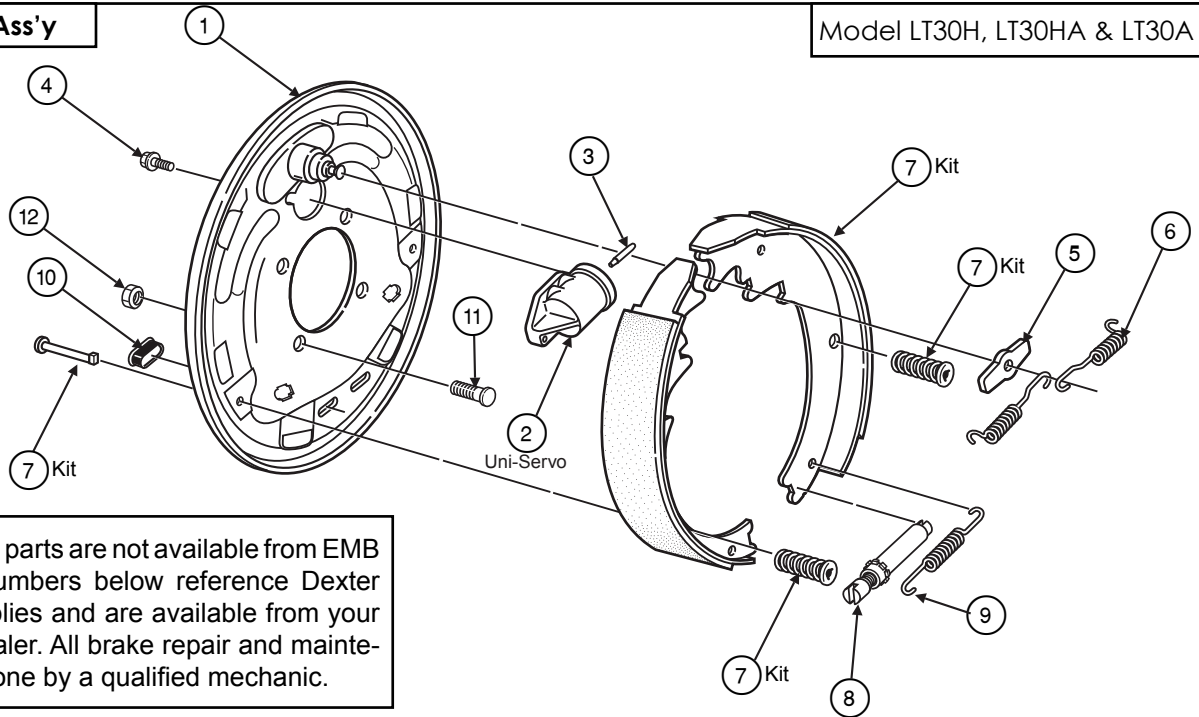
Model LT30H, LT30HA & LT30A



BOM ID	Description	Description	Qty
78	Z12321	Cotter Pin, 3/16 x 1-3/4	1
79	Z23202	L44649 Cone, L44610 Cup	1
80	Z23205	L68149 Cone and L68111 Cup	1
81	Z28202	Seal, Single Lip	1
82	Z72695	Slotted Castle Nut, 1-14NF x 1/2" Thick	1
83	Z72931	Lug Nut, 1/2NF	5
84	Z91708	1750# Brake Drum 10" 5 - 4-1/2 Bolts	1
85	Z91801	Dust Cap 1.98 Bore	1

**Hydraulic Brake Ass'y**

Model LT30H, LT30HA & LT30A

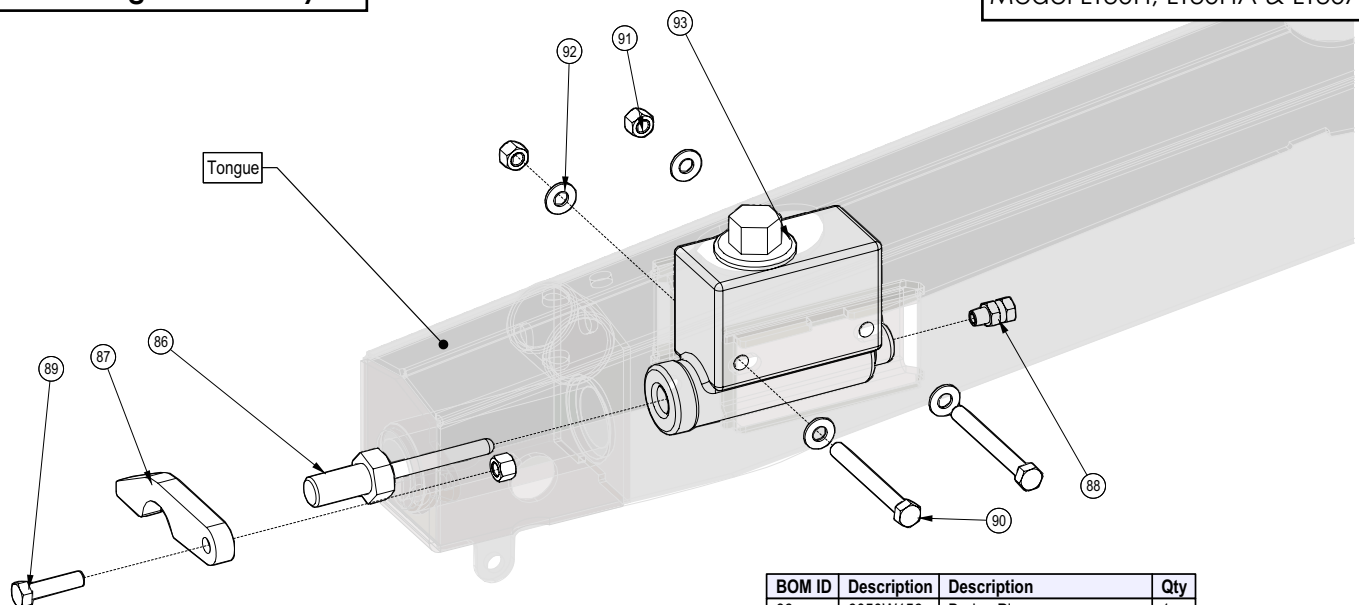


**Please note:** brake parts are not available from EMB Mfg. Brake part numbers below reference Dexter Axle brake assemblies and are available from your local auto parts dealer. All brake repair and maintenance should be done by a qualified mechanic.

BOM ID	Part No.	Description	Qty	BOM ID	Part No.	Description	Qty
	K23-312-00	LH Complete Brake Assembly-Uni Servo	1	7	K71-267-00	Shoe & Lining Kit Contains:	1
	K23-313-00	RH Complete Brake Assembly-Uni Servo (shown)	1		#040-210-00	Primary Shoe & Lining	1
1	036-094-03	Backing Plate Assembly (includes item #11)	1		#040-211-00	Secondary Shoe & Lining	1
2	054-064-00	LH Brake Cylinder Uni-Servo	1		#046-077-00	Shoe Hold Down Spring & Cup	2
2	054-065-00	RH Brake Cylinder Uni-Servo	1		#049-002-00	Shoe Hold Down Pin #8	2
3	054-060-00	Cylinder Push Rod	1	8	043-004-00	Adjuster Assembly	1
4	087-001-00	Sems (screw & washer assembly)	2	9	046-018-00	Adjusting Screw Spring	1
5	005-113-00	Anchor Post Washer	1	10	046-007-00	Adjuster Slot Plug	1
6	046-009-00	Retractor Spring	2	11	007-041-00	Brake Mounting Bolt - Press-in	4
				12	Z72242	Hex Lock Nut, 7/16NF	4
				not shown	054-089-00	Bleeder Screw (included with item #2)	1

**Hydraulic Surge Brake Ass'y**

Model LT30H, LT30HA & LT30A

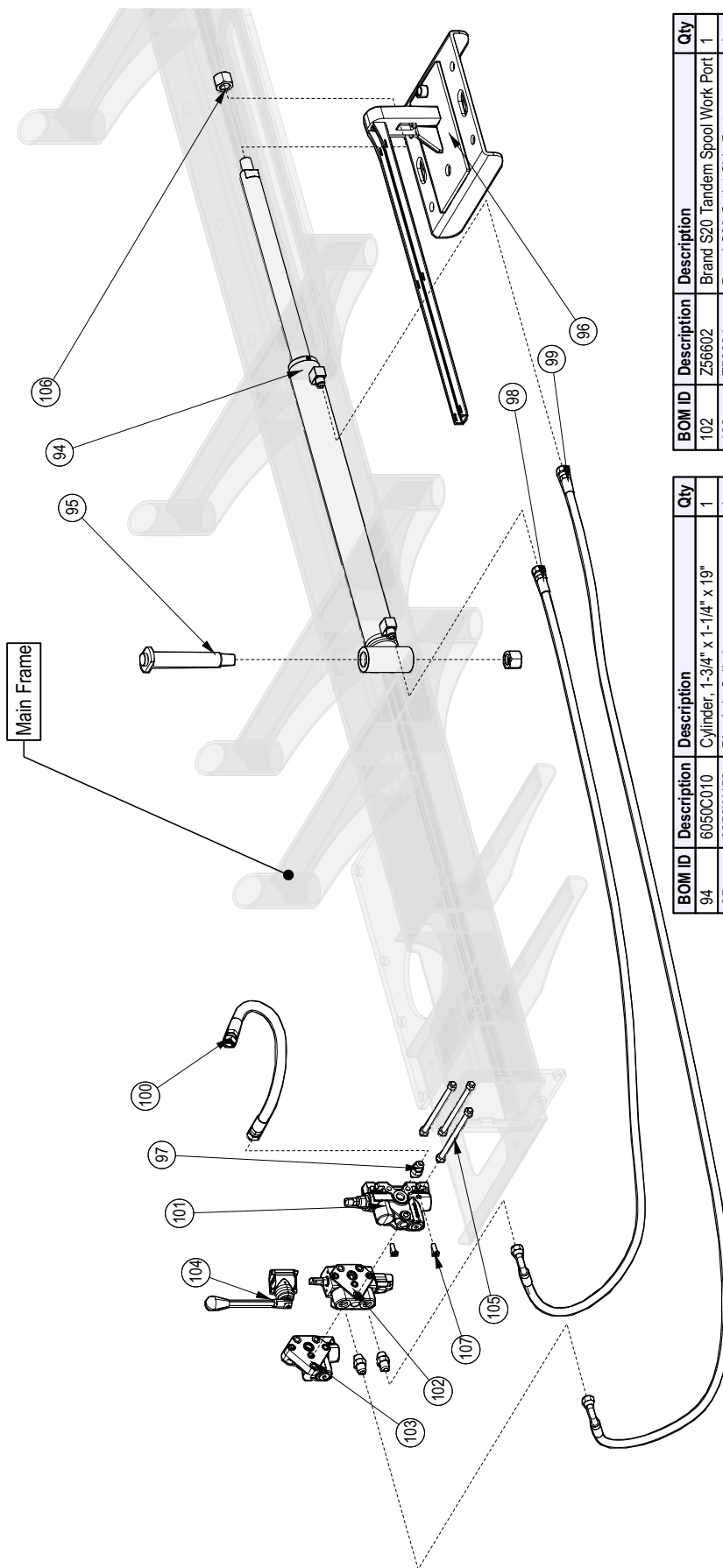


BOM ID	Description	Description	Qty
86	6050W156	Brake, Plunger	1
87	6050L631	Plate, Brake Plunger Stop	1
88	Z51315	Straight, MP x FPx 0202	1
89	Z71315	Hex Bolt, 3/8NC x 1-1/2	1
90	Z71335	Hex Bolt, 3/8NC x 3-1/2	2
91	Z72231	Hex Lock Nut, 3/8NC	3
92	Z73131	Flat Washer, 3/8	4
93	Z91709	Surge Brake Master Cylinder	1



Model LT30HA & LT30A

Hydraulic Tandem Option

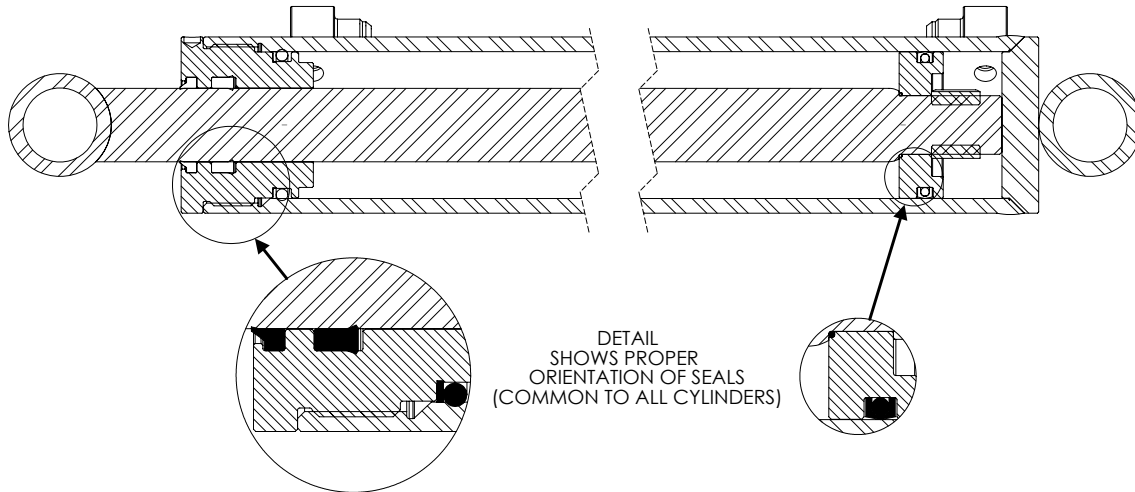


BOM ID	Description	Qty
94	Cylinder, 1-3/4" x 1-1/4" x 19"	1
95	Pin, Axle Cylinder	1
96	Axle Capture, Hydraulic Tandem	1
97	#6ORB x #6JIC	4
98	1/4" Hose, FJIC06 x 90 FJIC06 x 66"	1
99	1/4" Hose, FJIC06 x 90 FJIC06 x 88"	1
100	3/8" Hose, FJIC06 x FJIC06 x 15"	1
101	Brand S20 Inlet Side Port 2500 PSI	1

BOM ID	Description	Qty
102	Brand S20 Tandem Spool Work Port	1
103	Brand S20 Outlet Side Port	1
104	Brand S20 Vertical Handle	1
105	Brand 20TR2 Two Spool Tie Rod Kit	1
106	Hex Lock Nut, 3/4NF Gr8	2
107	Joint Connector Bolt 1/4NC x 3/4	3

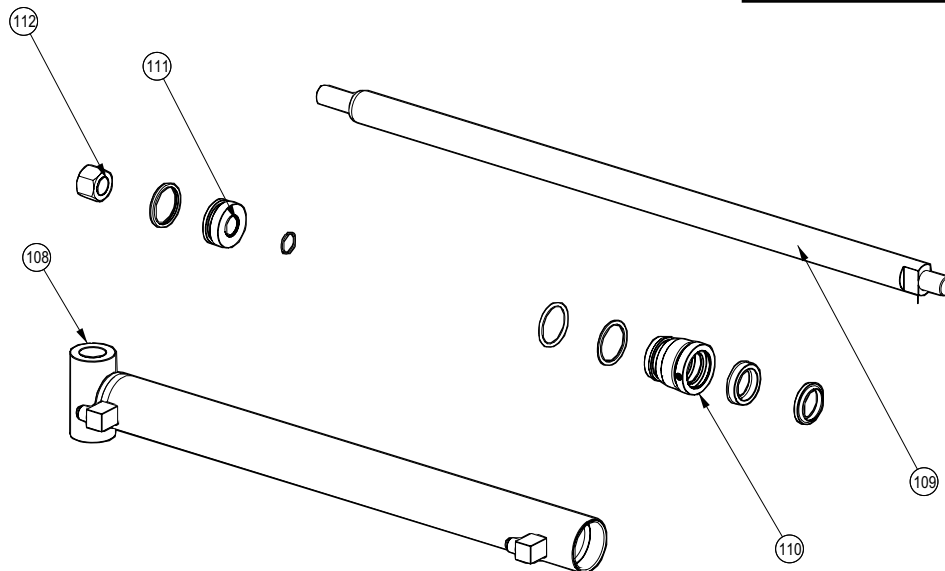
**Cylinder Seal Installation**

Model LT30HA & LT30A



**Hydraulic Tandem Cylinder**

Model LT30HA & LT30A

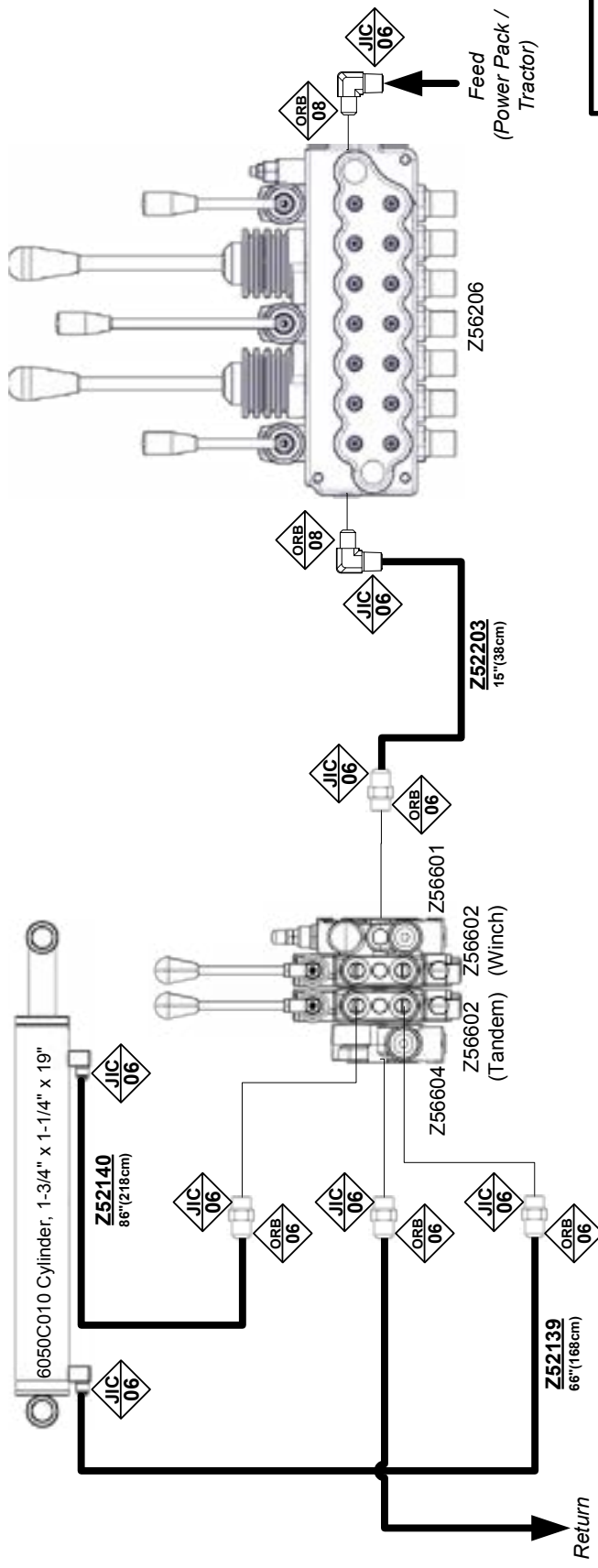


**Seal Kit: SLK-2012**

BOM ID	Description	Description	Qty
108	6050C0104	Barrel, 2" Bore	1
109	6050C0102	Rod, 1-1/4x3/4	1
110	G175-125S	1-3/4" X 1 1/4" GLAND	1
111	P750-175SP	1-3/4" BORE PISTON	1
112	Z72272G8	Hex Lock Nut 3/4NF Grade 8	1

Model LT30HA & LT30A

Hydraulic Tandem Schematic



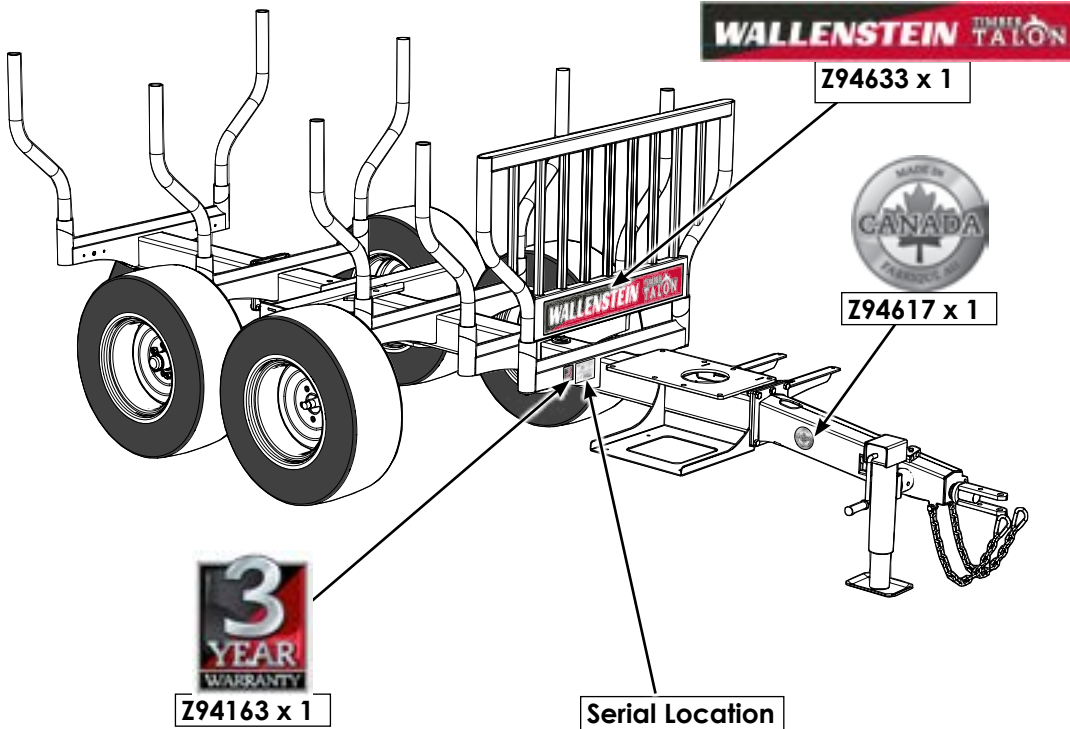
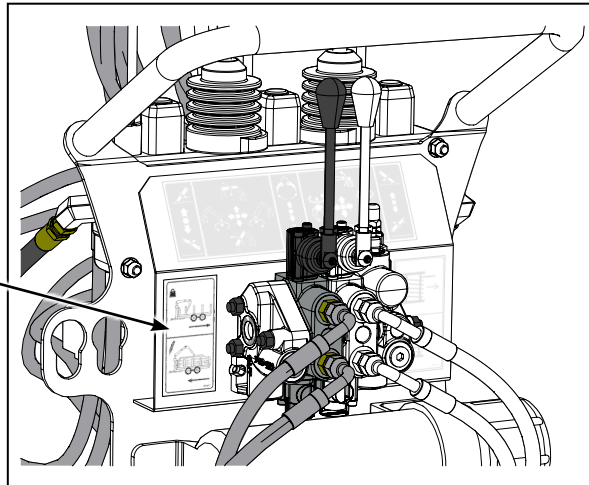
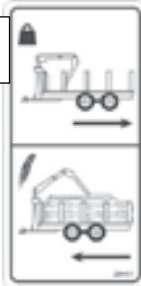
Fitting Identification	
Connection Type	NPT - National Pipe Thread JIC - Tube Flare ORB - "O" Ring Boss HB - Hose Barb
Connection Type	NPT
Connection Size	12

**Note:** Refer to the LX95 Timber Talon Parts manual for complete hydraulic schematics and seal kits

**Labels**

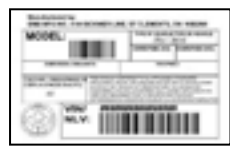
**Z94117 x 1**  
**LT30A - LT30HA**

\*Available only on LX95  
equipped trailers



**3**  
**YEAR**  
WARRANTY  
**Z94163 x 1**

**Serial Location**



**Timber Talon Log  
Highway Trailer:  
LT30-H, HT30-HA**

or

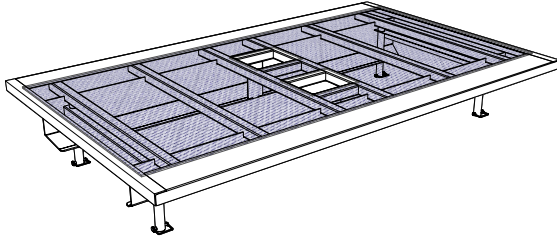


**Timber Talon Log  
Off road Trailer:  
LT30, LT30-A**

## Accessories

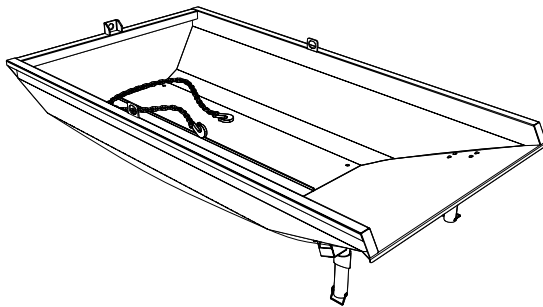
Call your dealer for pricing and availability

For replacement parts, go to [www.embmfg.com](http://www.embmfg.com) and click on "Parts and Manuals" to download the latest parts manual for your model, then call your dealer to order.



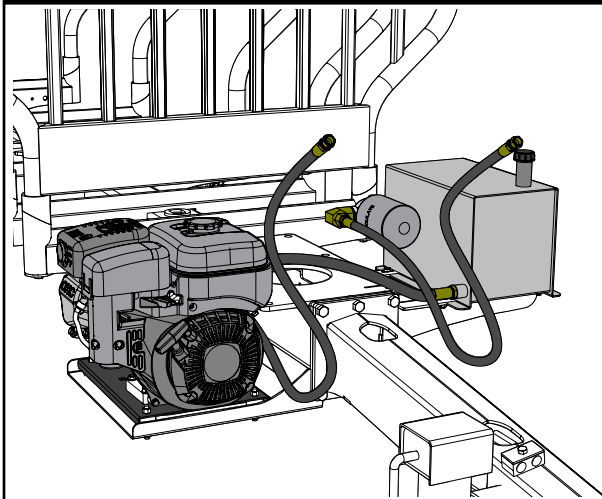
### #L330 LT30 EXPANDED METAL FLAT BED

Transporting material and equipment made easy. Simply drop on this flat bed and you're set to go! **LT30 trailer L330** has a 274 cm x 152 cm (9.0' x 5.0') cargo bed.



### #L310 LT30 DUMP BOX

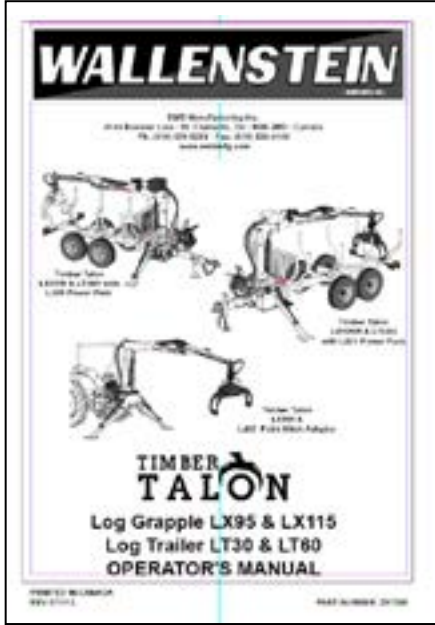
Load, transport and easily dump your loads, made for use with the back hoe kit. **The L310** holds 0.7 cubic meters (25 cu.ft). Each dump box comes complete with a 1.8 meter (6 foot) chain used for dumping.



### #L301 LX95 POWER PACK

Independently power your LX grapple: the **L301 for LX95** features a 6HP Subaru engine. Power packs include hydraulic pump and 17.5 litre (4.6 us gal) reservoir tank.

**Manual**



**Z97068**

Available as a download at  
[www.embmfg.com](http://www.embmfg.com)