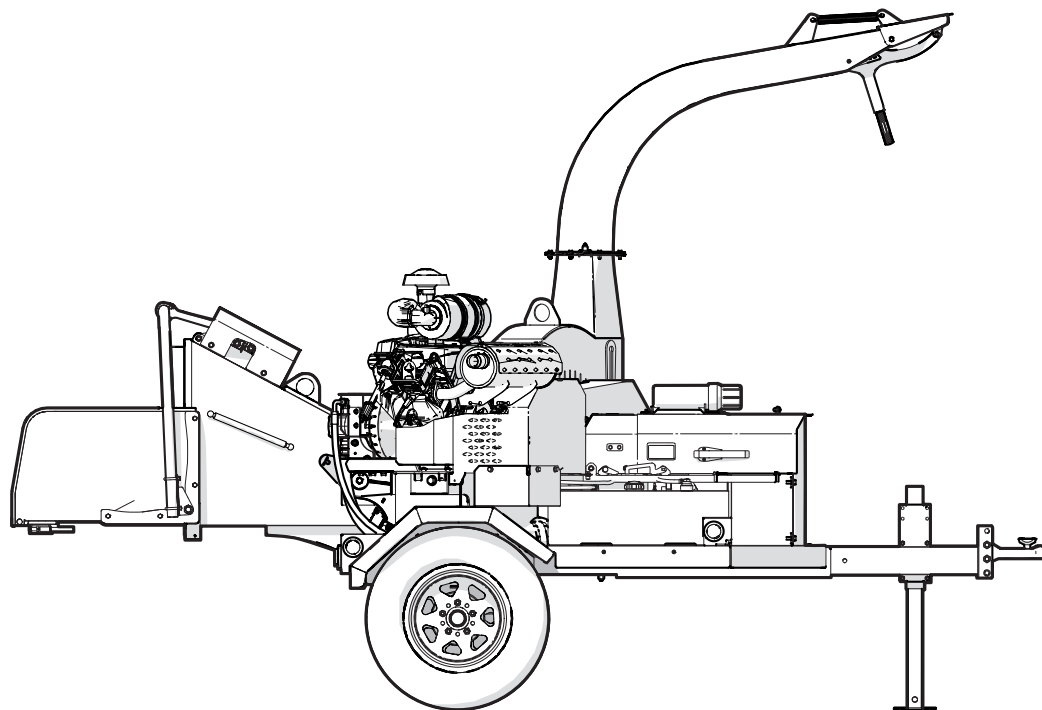


PARTS MANUAL

Serial Number 2E9US111XNS091469 & Up

BXTR6438/B Trailer Wood Chipper



Foreword

This Wallenstein parts manual is prepared to assist customers in ordering quality OEM replacement parts.

Regular maintenance combined with replacing old, worn or broken parts with the correct OEM parts is essential in prolonging the life of your Wallenstein product. Refer to this manual to identify replacement parts.

To order parts, contact your Wallenstein dealer or distributor. Have the product model and serial number handy.

If your dealer is no longer available, please go to WallensteinEquipment.com. At the bottom of the page, select Dealer Locator.

All information contained in this parts manual is current as per the revision date at the bottom of the page. Wallenstein reserves the right to change product specifications at any time without notice.

If your product specifications differ from those contained in this manual, contact Wallenstein for current information.

Reproduction of information in this parts manual is prohibited without prior written permission from Wallenstein Equipment Inc.

Wallenstein Equipment Inc. • © 2023

WARNING!

For safety, operation, and maintenance information, see the Operator’s Manual.

Maintenance should be performed by trained personnel only.

Serial Number Location

Always provide the model and serial number of your Wallenstein product when ordering parts or requesting service or other information. The serial number is on the product information plate as shown below.

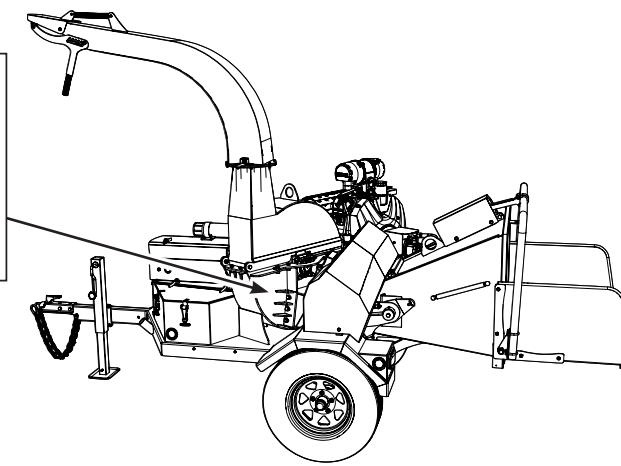
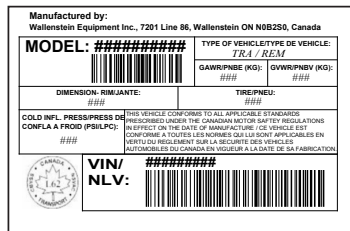
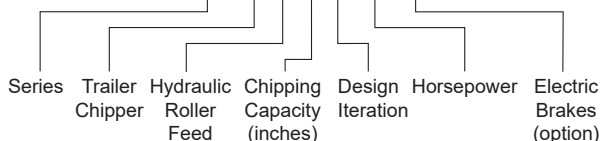
Record your product information here for future reference.

Model _____

Serial Number _____

Model Configuration

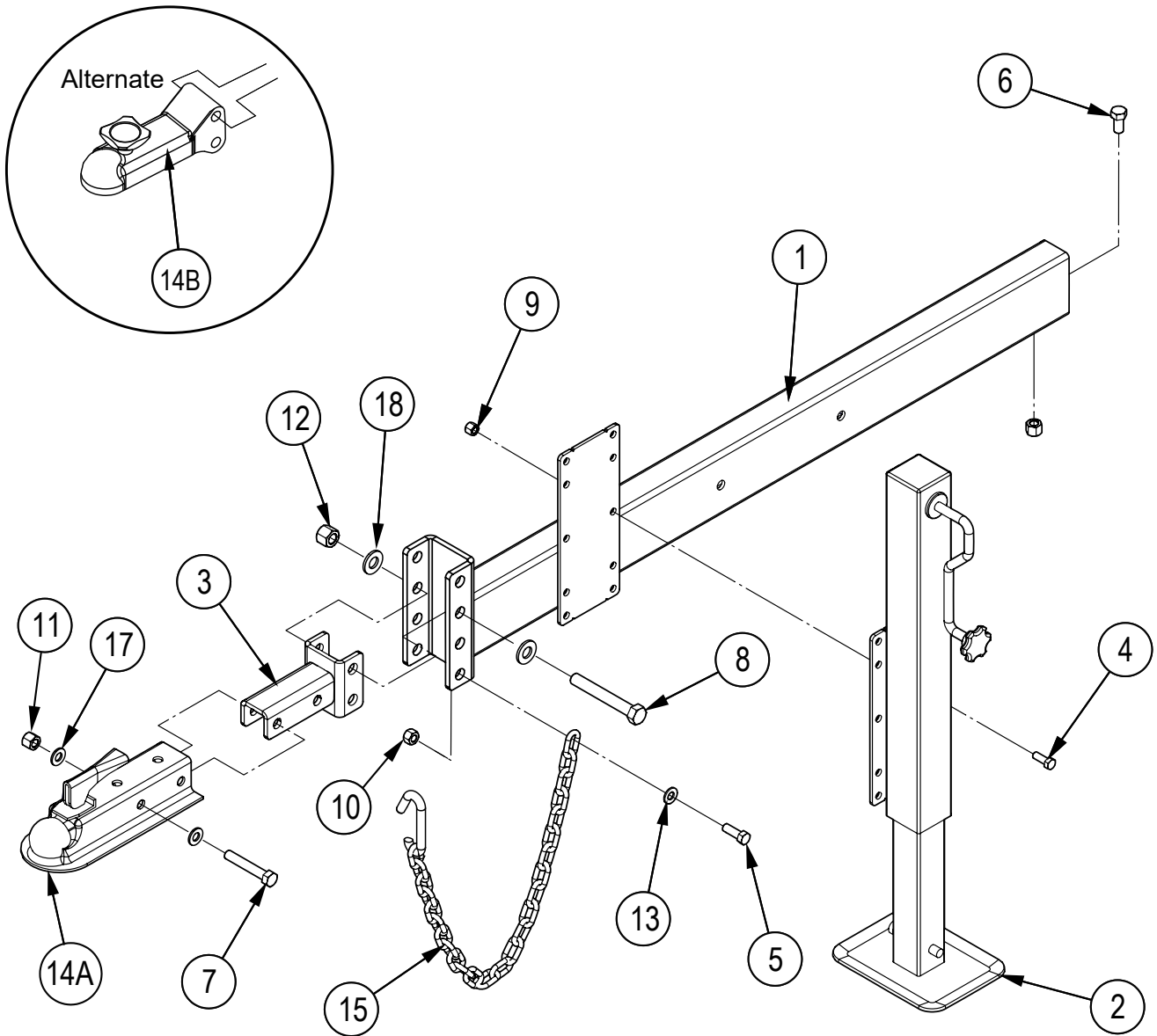
BXTR6438B



Contents

Tongue Assembly	4
Main Frame (Top View)	5
Main Frame	6
Compartment Covers	7
Main Covers	8
Hydraulic Tank Detail	9
Fuel Tank Detail	10
Chute	11
Engine and Hydraulic Pump	12
Clutch Assembly	13
Rotor Assembly	14
Rotor Housing	15
Roller Feed Hopper	16
Roller Feed Handle Control	17
Loading Table	18
Lower Roller – Left View	19
Upper Roller Arm Assembly	20
Roller Hood Assembly	21
Z91134 Axle Assembly	22
Z91135 Axle Assembly with Brakes	22
Hub Assembly Detail	23
Brake Drum Assembly Detail - BXTR6834B	23
Trailer Harness 1062F101	24
Hydraulic Plumbing Diagram	25
Accessories	26
Decal Layout	27
Decal Layout – Lubrication	29
Common Bolt Torque Values	30
Hydraulic Fitting Torque Values	31
Wheel Lug Torque Values	31

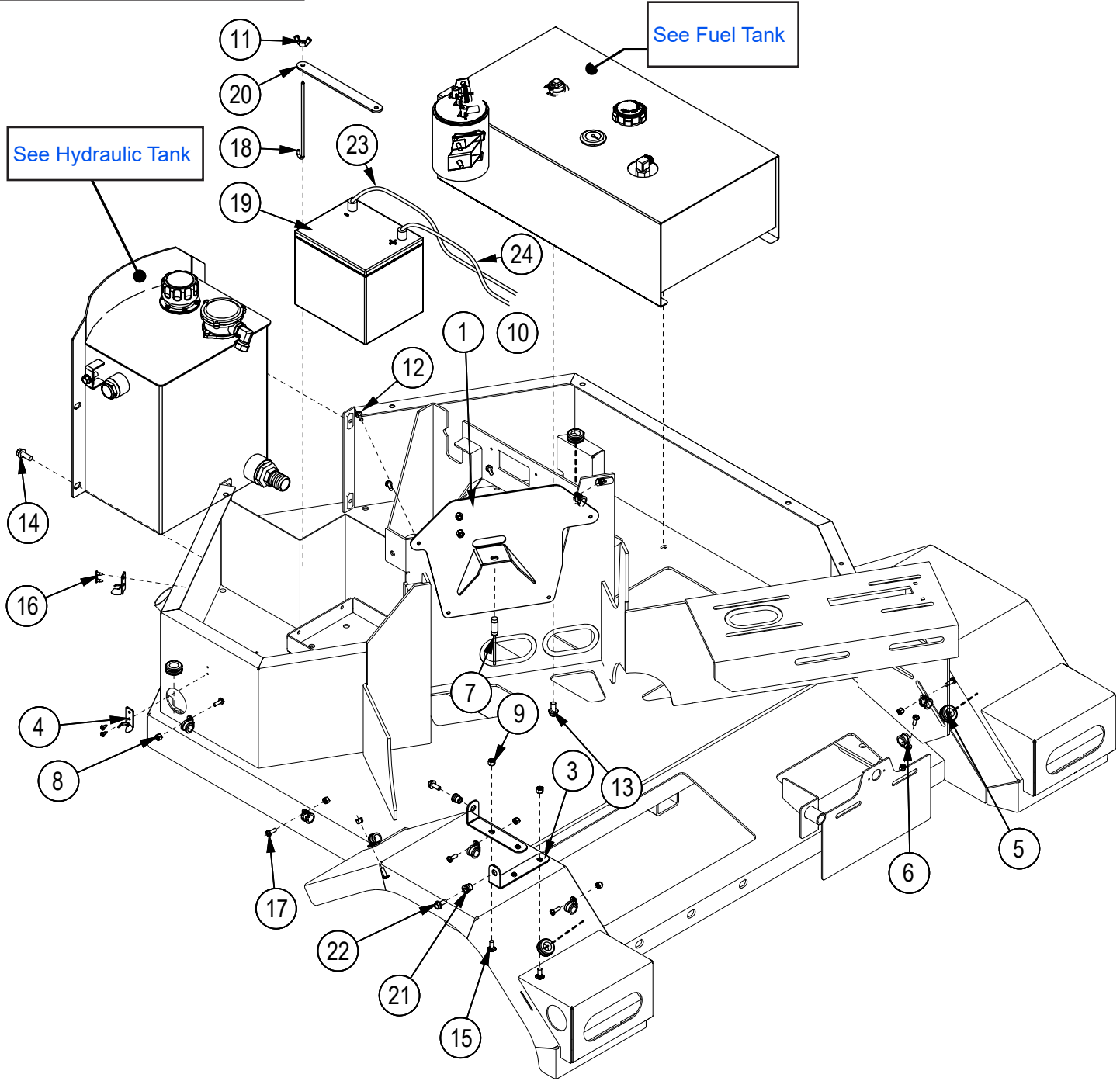
Tongue Assembly



Item No.	Part No.	Description	Qty
1	1062W520	Tongue	1
2	1082W503	Jack	1
3	2073W527	Ladder Hitch Adjuster	1
4	Z71310	Hex Bolt, 3/8NC x 1"	4
5	Z71412	Hex Bolt, 7/16NC x 1-1/4"	2
6	Z71510	Hex Bolt, 1/2NC x 1"	1
7	Z71535	Hex Bolt, 1/2NC x 3-1/2"	2
8	Z71650	Hex Bolt, 5/8NC x 5"	2

Item No.	Part No.	Description	Qty
9	Z72231	Hex Lock Nut, 3/8NC	4
10	Z72241	Hex Lock Nut, 7/16NC	2
11	Z72251	Hex Lock Nut, 1/2NC	3
12	Z72261	Hex Lock Nut, 5/8NC	2
13	Z73142	SAE Washer, 7/16"	2
14A	Z91614	Hitch Coupler, 2" Ball x 3500 lb	1
14B	Z91612	Hitch Coupler, 2" Ball x 7000 lb	1
15	Z92307	Safety Chain, 1/4"	2
17	Z73151G8	SAE Washer, 1/2" Grade 8	4
18	Z73161G8	SAE Washer, 5/8" Grade 8	4

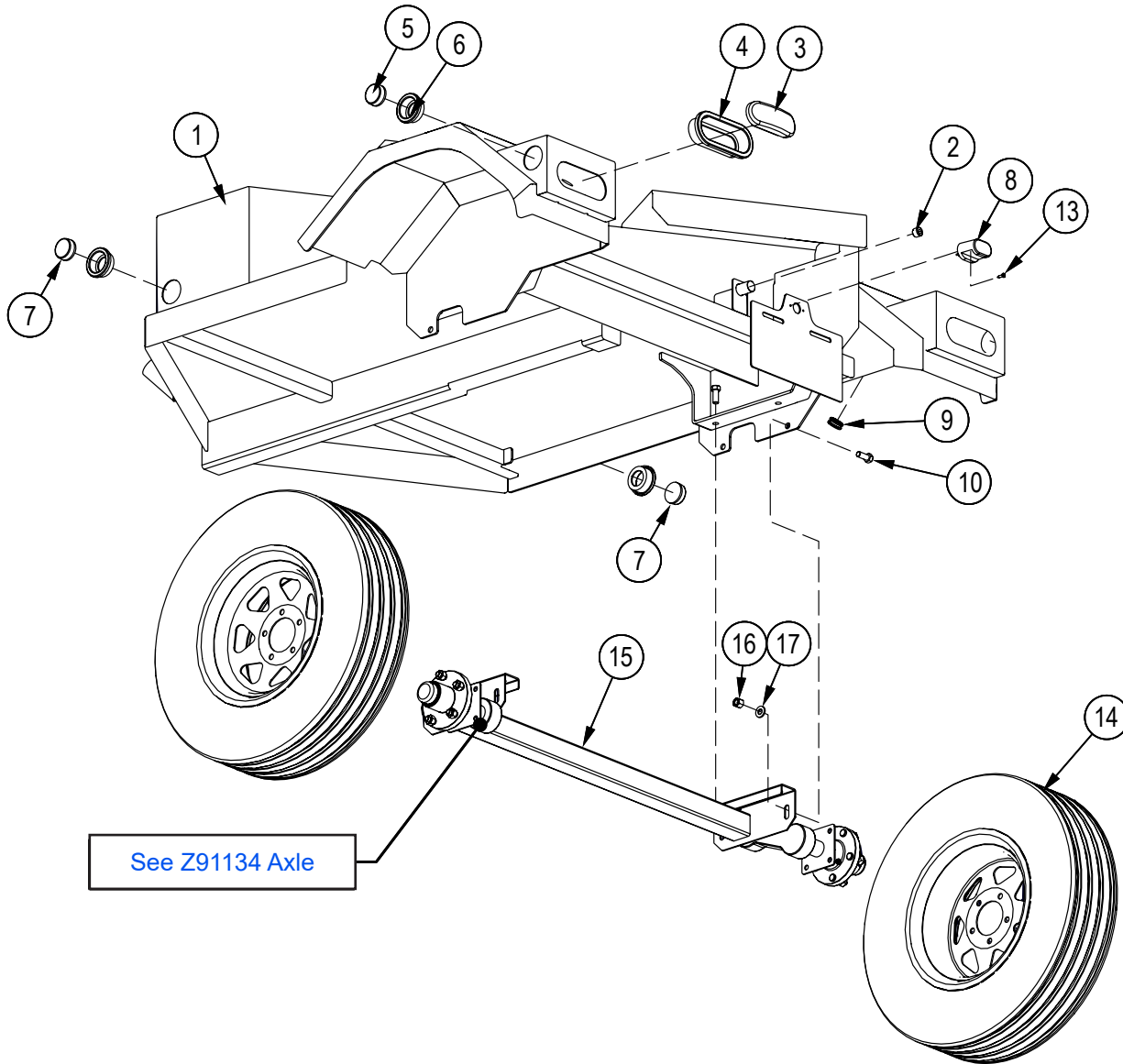
Main Frame (Top View)



Item No.	Part No.	Description	Qty
1	1054W482	Sensor Mount	1
3	1062L631	Bridge Guard Mount, Fender	2
4	Z18201	Hood Fastener, Top Bracket	2
5	Z62818	Rubber Grommet, 3/4" x 3/16"	8
6	Z62819	Rubberized Wire Clamp, 1/2"	17
7	Z64406	Pickup Sensor	1
8	Z72211	Hex Lock Nut, 1/4NC	17
9	Z72221	Hex Lock Nut, 5/16NC	4
11	Z72921	Wing Nut, 1/4NC	2
12	Z76111	Flange Bolt, 1/4NC x 3/4"	4

Item No.	Part No.	Description	Qty
13	Z76131	Flange Bolt, 3/8NC x 1/2"	6
14	Z76134	Flange Bolt, 3/8NC x 1"	4
15	Z76221	Carriage Bolt, 5/16NC x 3/4"	4
16	Z76711	Self-tapping Screw, #10 x 1/2"	4
17	Z78301	Machine Screw, 1/4NC x 3/4"	17
18	Z93202	J-Hook, 1/4" x 7"	2
19	Z93205	Battery, 550CCA	1
20	Z93207	Hold-Down Strap, 1" x 8-1/2"	1
21	Z72956	Rivet Nut, 5/16NC x 150	2
22	Z76121	Flange Bolt, 5/16NC x 3/4"	2
23	1062F111	Negative Battery Wire	1
24	1062F112	Positive Battery Wire	1

Main Frame

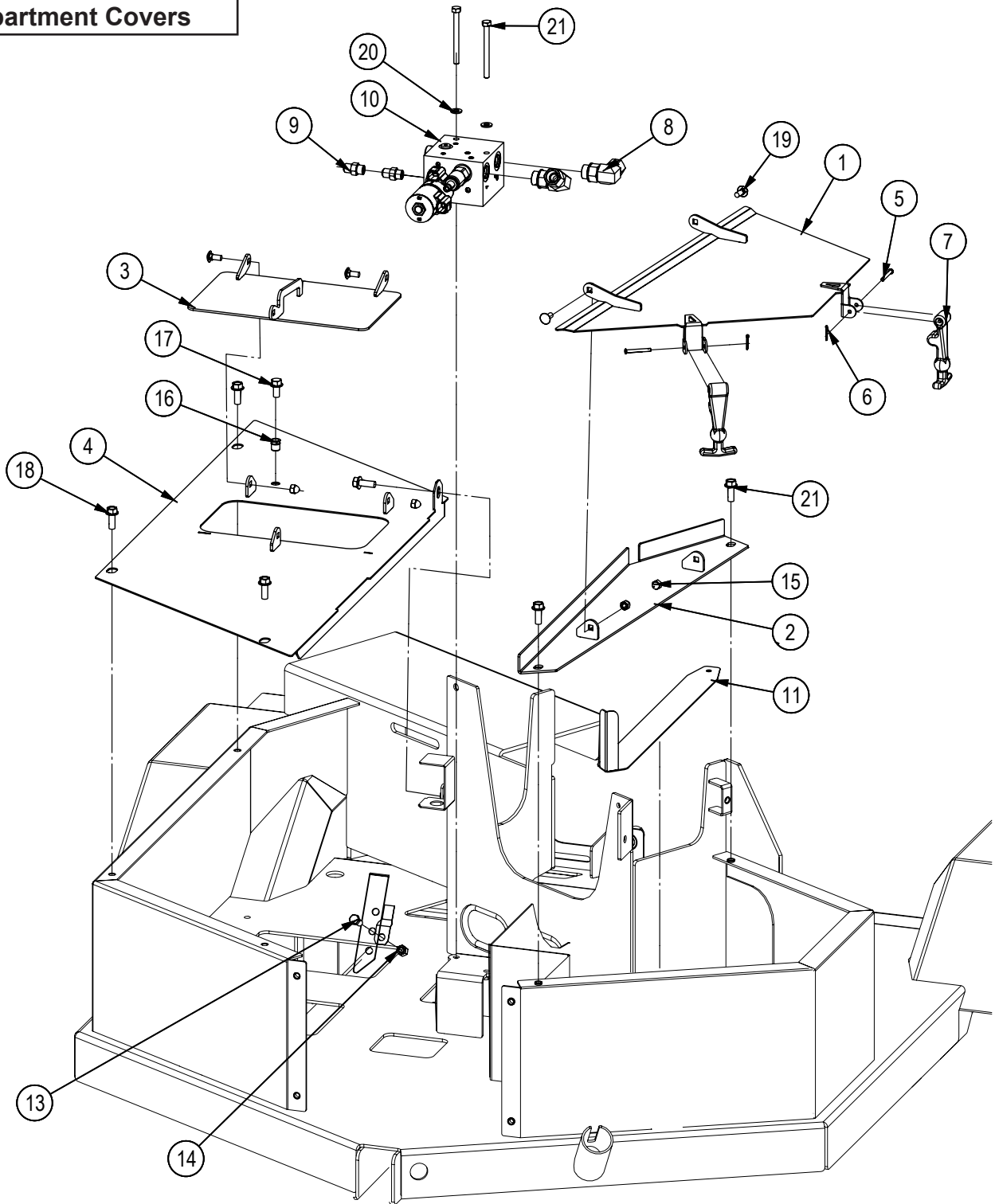


See Z91134 Axle

Item No.	Part No.	Description	Qty
1	1062W526	Main Frame	1
2	Z51496	Cap, FJIC 06	1
3	Z61102	STT Lamp, Oval	2
4	Z61103	Grommet, Oval x Open Back	2
5	Z61201	Marker Lamp, Round x Red	2
6	Z61202	Grommet, Round x Open Back	4
7	Z61205	Marker Lamp, Round x Amber	2
8	Z61301	License Lamp, White	1

Item No.	Part No.	Description	Qty
9	Z62818	Rubber Grommet, 3/4" x 3/16"	2
10	Z71620	Hex Bolt, 5/8NC x 2"	8
13	Z76712	Self-tapping Screw, #10 x 3/4"	2
14	Z91317	ST205/75R14 LRC Radial Trail 5on4-1/2"	2
15	Z91134	#10 Full Flex Axle, 2700lbs x 54" HF With 5-Bolt Hubs	1
16	Z72261	Hex Lock Nut, 5/8NC	8
17	Z73161G8	SAE Washer, 5/8" Grade 8	15

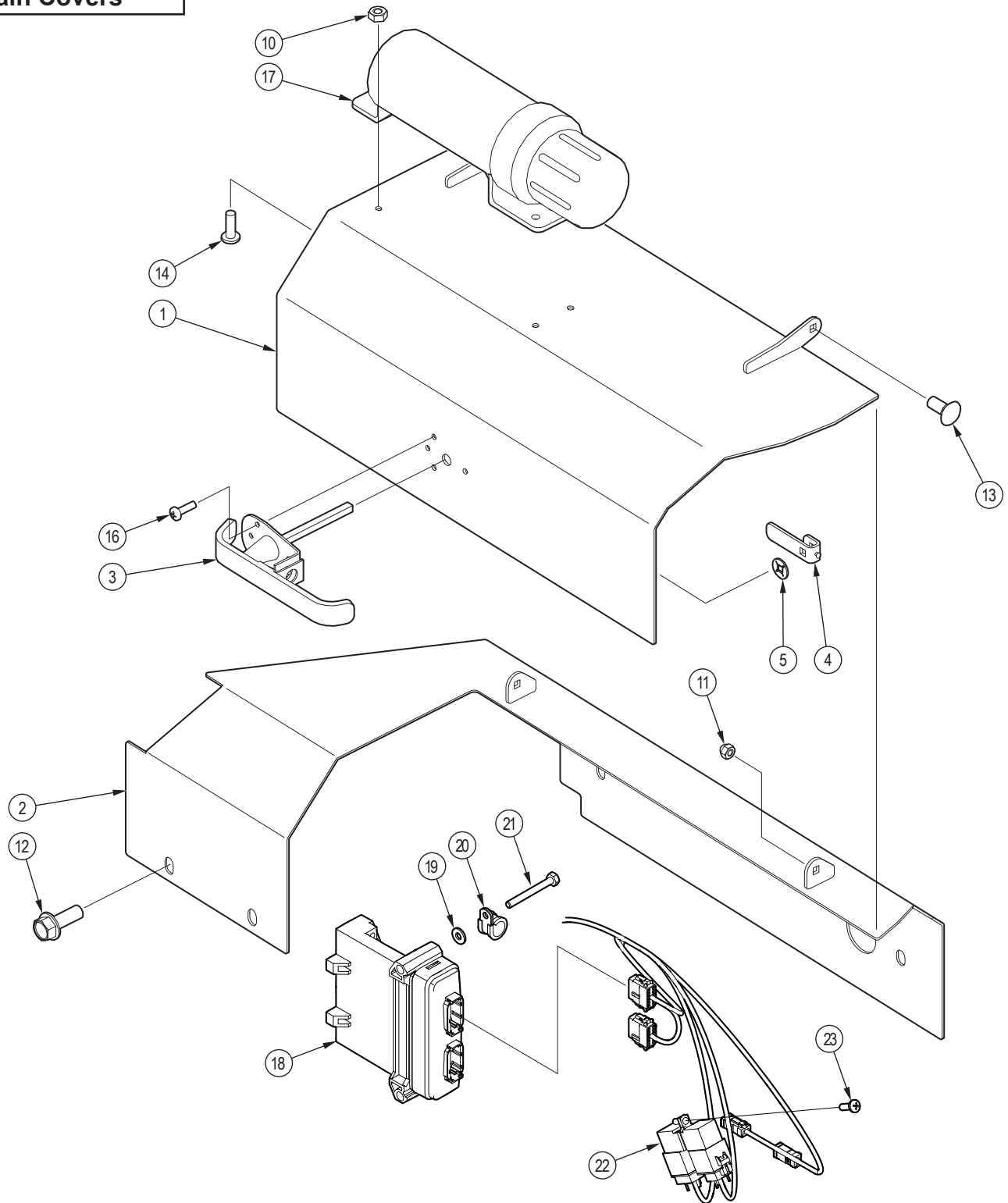
Compartment Covers



Item No.	Part No.	Description	Qty
1	1054W474	Toolbox Lid	1
2	1054W475	Base, Toolbox Lid	1
3	1054W476	Cap, Fuel	1
4	1062W519	Lid, Gas Tank Compartment	1
5	Z11301	Clevis Pin, 3/16" x 1-3/8"	2
6	Z12301	Cotter Pin, 3/32" x 3/4"	2
7	Z18201-3	Hood Fastener, Latch Strap	2
8	Z51653	Elbow 90, MJIC x MORB 0808	2
9	Z51641	Straight, MJIC x MORB 0606	2
10	Z56508	Single Spool Valve, OC Tandem PROPSOL x 6GPM	1
11	1012L269	Gauge, Ledger Setting	1

Item No.	Part No.	Description	Qty
13	Z78301	Machine Screw, 1/4NC x 3/4"	1
14	Z72211	Hex Lock Nut, 1/4NC	1
15	Z72914	Acorn Nut, 5/16NC	4
16	Z72958	Rivet Nut, 3/8NC x 150	1
17	Z76133	Flange Bolt, 3/8NC x 3/4"	1
18	Z76134	Flange Bolt, 3/8NC x 1"	6
19	Z76221	Carriage Bolt, 5/16NC x 3/4"	4
20	Z73122	SAE Washer, 5/16"	2
21	Z71235	Hex Bolt, 5/16NC x 3-1/2"	2

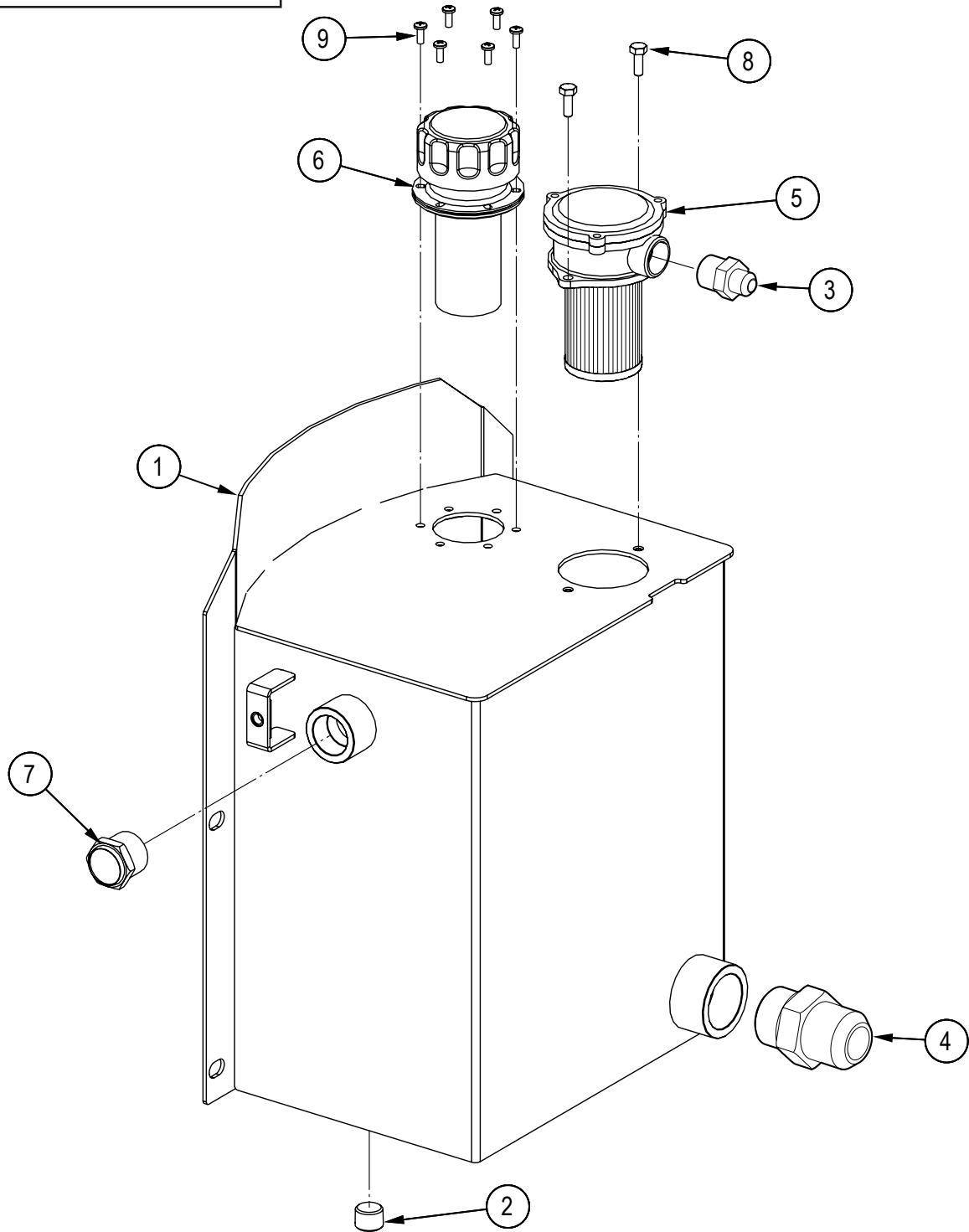
Main Covers



Item No.	Part No.	Description	Qty
1	1062W527	Cowl Lid	1
2	1054W492	Base, Cowl	1
3	Z18203	Handle, Padlockable	1
4	Z18204	Cam, 5/16	1
5	Z18205	Tinnerman Nut, 5/16	1
10	Z72771	Machine Nut, 1/4NC	3
11	Z72914	Acorn Nut, 5/16NC	2
12	Z76134	Flange Bolt, 3/8NC x 1	4
13	Z76221	Carriage Bolt, 5/16NC x 3/4	2

Item No.	Part No.	Description	Qty
14	Z78301	Machine Screw, 1/4-20NC x 3/4	3
16	Z78302	Machine Screw, #10NF x 3/8"	4
17	Z96503	Manual Tube 3-1/2 Short	1
18	1062E003	24 Pin, Chipper Feed V3.0	1
19	Z73111	SAE Washer, 1/4"	2
20	Z62819	Rubberized Wire Clamp, 1/2"	1
21	Z71122	Hex Bolt, 1/4NC x 2-1/4"	2
22	1062F125 VG	Logic Harness, BXTR6438 P3 v3	1
23	Z78301	Machine Screw, 1/4NC x 3/4"	1

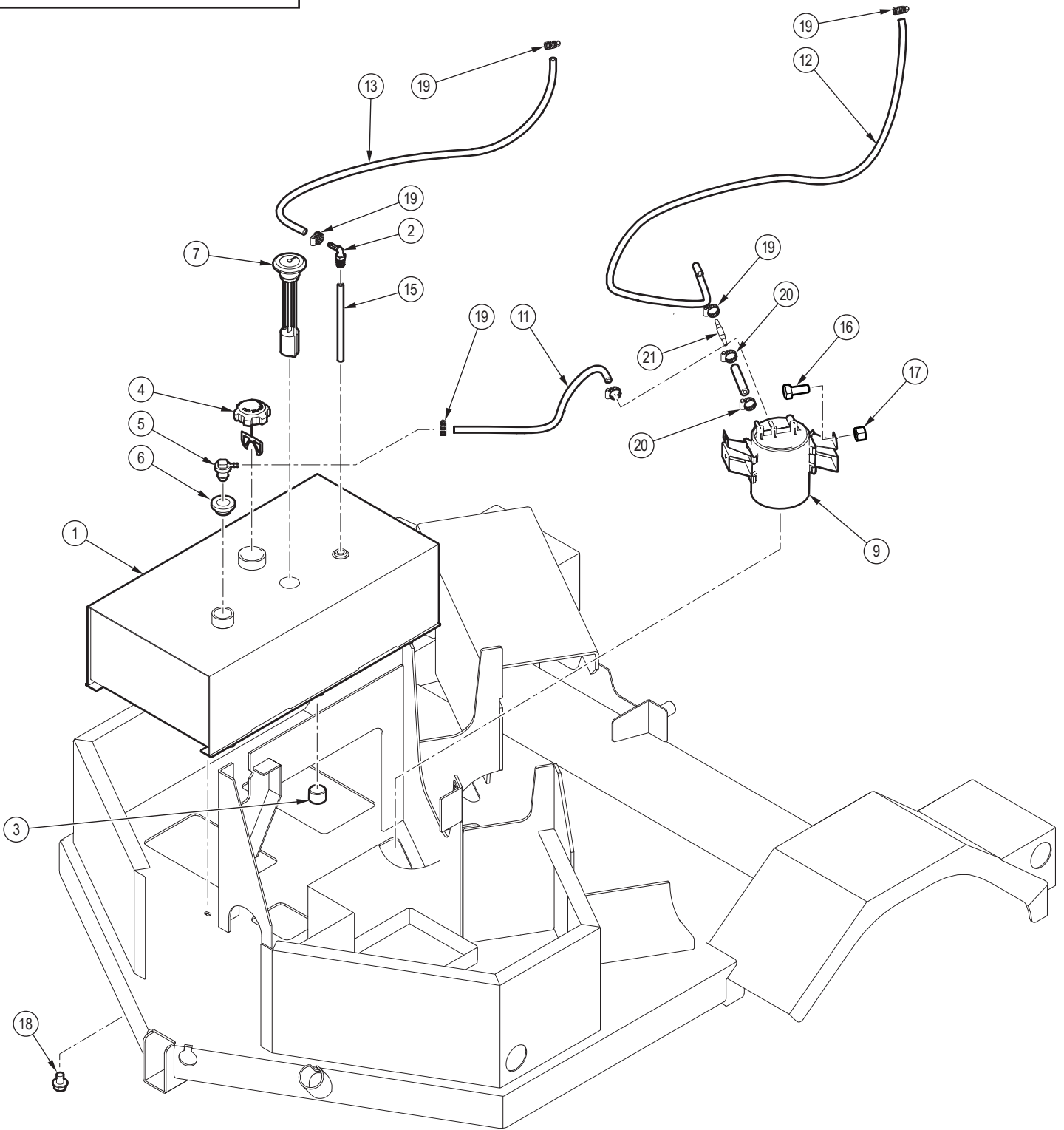
Hydraulic Tank Detail



Item No.	Part No.	Description	Qty
1	1062W538	Hydraulic Tank	1
2	Z51693	Socket Plug, MORB 08	1
3	Z51447	Straight, MJIC x MP 0812	1
4	Z516414	Straight, MJIC x MORB 1212	1
5	Z55201	Tank Mounted Return Filter	1

Item No.	Part No.	Description	Qty
6	Z55401	Breather Filler Cap	1
7	Z55901	Site Glass 1NPT	1
8	Z71107	Hex Bolt, 1/4NC x 3/4	2
9	Z78303	Machine Screw, #10-32NF x 1/2	6

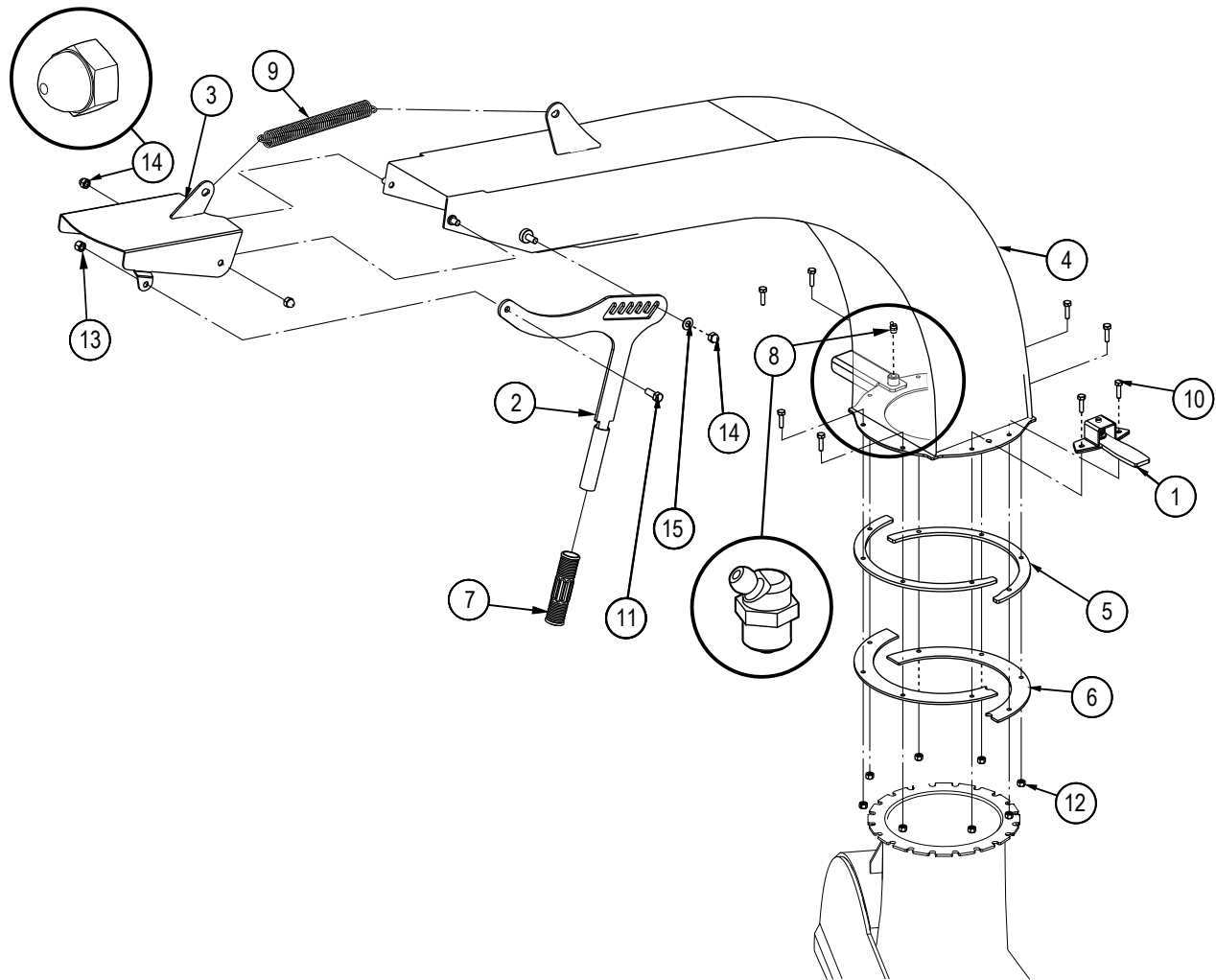
Fuel Tank Detail



Item No.	Part No.	Description	Qty
1	1062W540	9G Fuel Tank, Trailer Chippers	1
2	Z93312	Plastic Elbow 90, MP x HB 0404	1
3	Z51693	Socket Plug	1
4	Z93108	EPA Ratchet Fuel Cap, Unleaded Fuel x Unvented with Tether	1
5	Z93110	EPA Remote Vent, HB04	1
6	Z93111	Vent Grommet For Z93110	1
7	Z93121	Fuel Gauge Thread Mount x 6-1/2"	1
9	Z93308	EPA Carbon Canister, 1200cc	1

Item No.	Part No.	Description	Qty
11	1062F104	EPA Fuel Line, 1/4" x 20"	1
12	1062F105	EPA Fuel Line, 3/16" x 71"	1
13	1062F106	EPA Fuel Line, 1/4" x 35"	1
15	1052s501	Fuel Pickup Tube	1
16	Z71207	Hex Bolt, 5/16NC x 3/4"	2
17	Z72221	Hex Lock Nut, 5/16NC	2
18	Z76131	Flange Bolt, 3/8NC x 1/2"	6
19	Z79405	Hose Clamp, SAE #4 (5/8")	6
20	Z93320	Fuel Line Clip, 1/2" OD Hose	2
21	Z93314	Plastic Reducer, HB x HB 0403	1

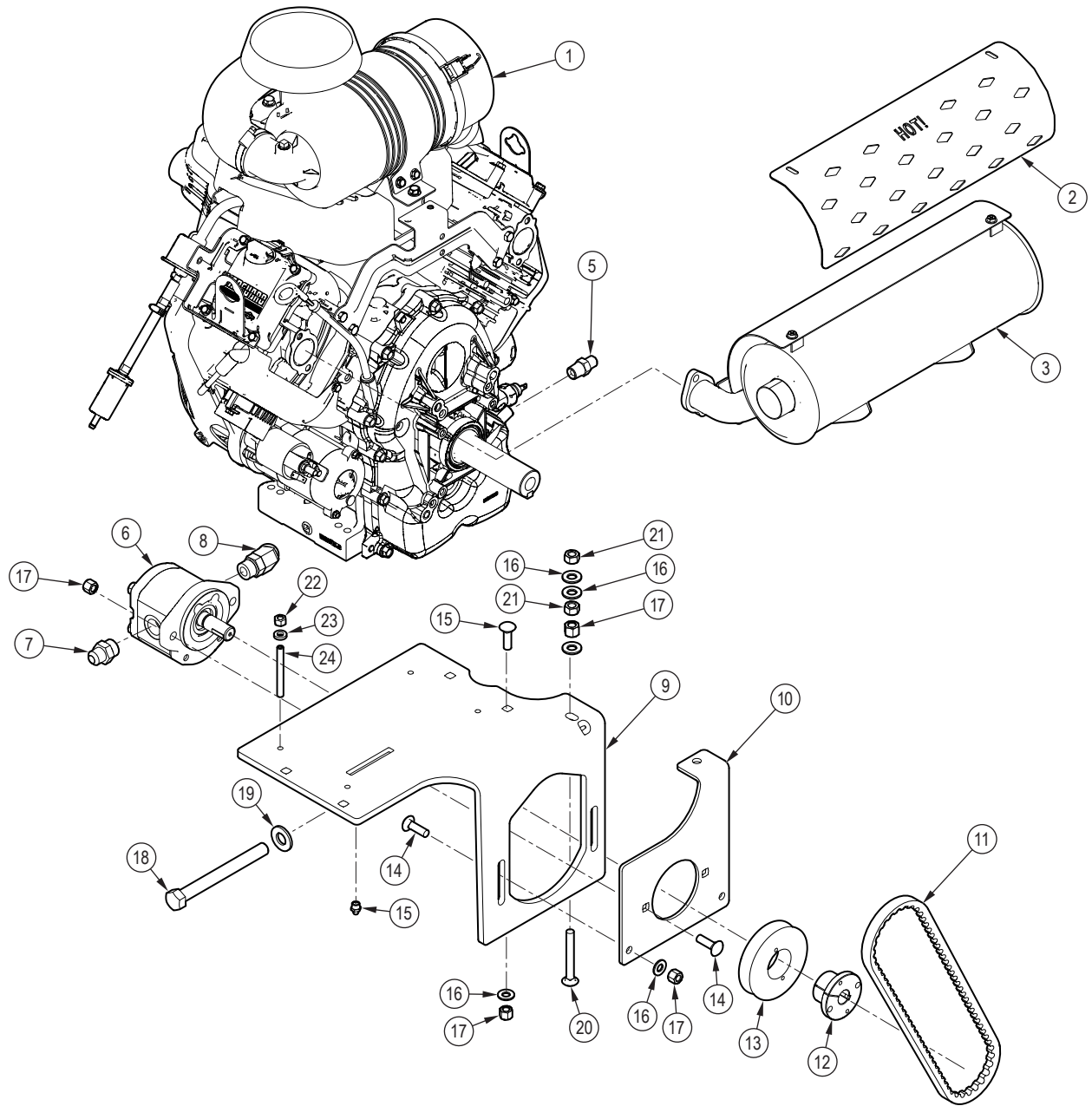
Chute



Item No.	Part No.	Description	Qty
1	1012W208	Assembly, Hood Latch	1
2	1060W145	Deflector Handle	1
3	1062W517	Discharge Deflector	1
4	1062W518	Discharge Chute	1
5	1054L535	Spacer Ring	2
6	1054L536	Hood Capture Ring	2
7	Z19321	Grip, 1" x 5"	1
8	Z29204	Grease Fitting, 1/8NPT x 45	1

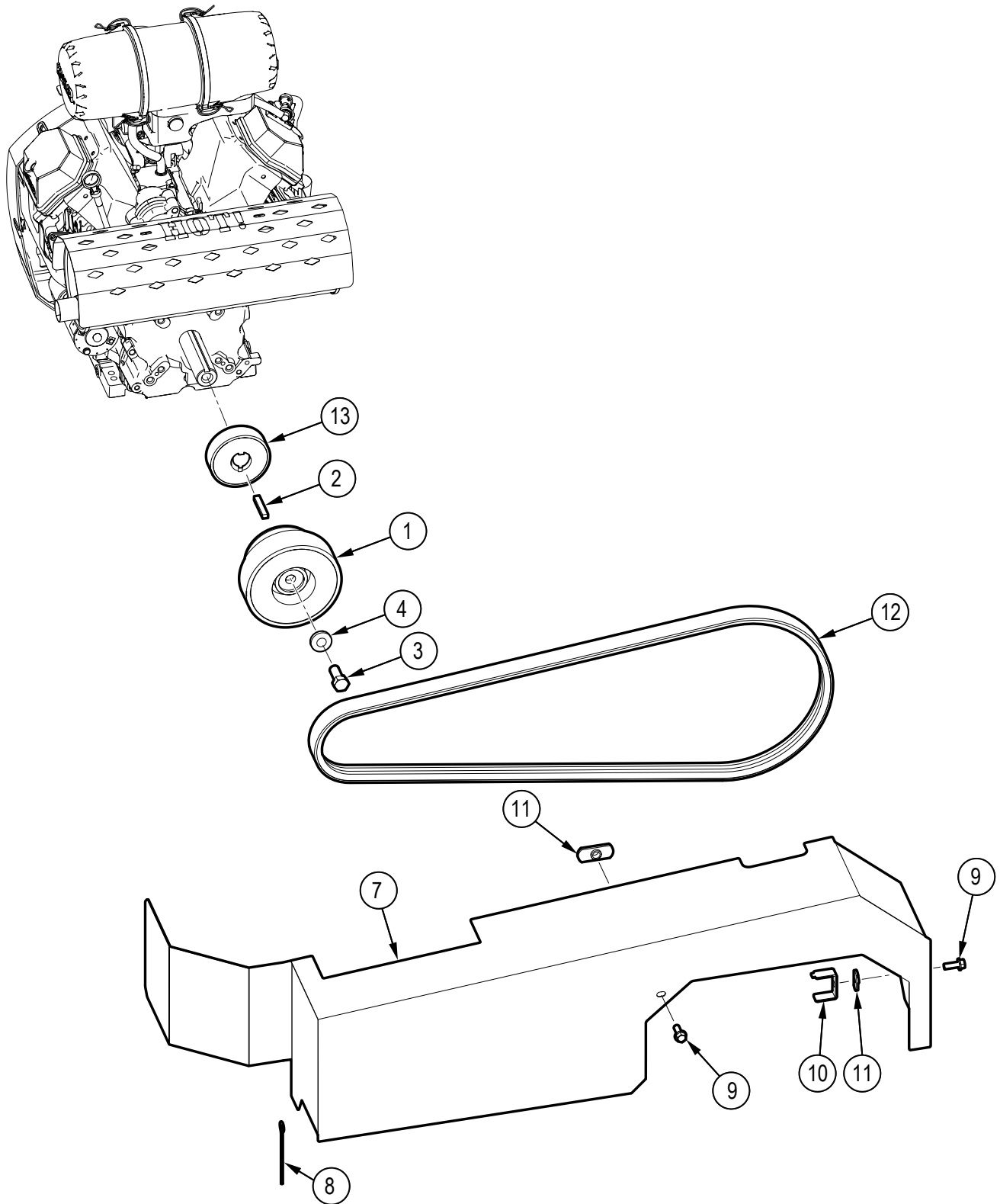
Item No.	Part No.	Description	Qty
9	Z31403	Spring 27mm x 178mm x 0.105	1
10	Z71110	Hex Bolt, 1/4NC x 1	8
11	Z71310	Hex Bolt, 3/8NC x 1	1
12	Z72211	Hex Lock Nut, 1/4NC	8
13	Z72231	Hex Lock Nut, 3/8NC	1
14	Z72911	Acorn Nut, 3/8NC	3
15	Z73131	Flat Washer, 3/8	1

Engine and Hydraulic Pump



Item No.	Part No.	Description	Qty	Item No.	Part No.	Description	Qty
1	Z47756	Vanguard 40hp EFI	1	20	Z76238FT	Carriage Bolt, 3/8NC x 3" Full Threads	1
2	1062L683	Muffer Guard, VG 61G	1	21	Z72131	Hex Nut, 3/8NC	2
3	Z47759	EFI Muffer, Vanguard 40hp Starter Side	1	22	Z77253	Hex Lock Nut, M8x1.25	4
5	Z51443	Straight, MJIC x MP 0606	1	23	Z77355	DIN 125 Thick Washer, M8	4
6	Z53119	Outrigger Gear Pump, Series 20 x 0.30	1	24	Z79142	Threaded Stud, M8 x 55mm, Hex Drive	4
7	Z51647	Straight, MJIC x MORB 0810	1				
8	Z51661	Elbow 45, MJIC x MORB 1210	1				
9	1062W536	Engine Adjustment Plate	1				
10	1062L681	Plate, Pump Slide	1				
11	Z41171	Single Belt, BX34	1				
12	Z41513	Hub, L x 3/4"	1				
13	Z41601	Sheave, MBL39 x L	1				
14	Z76232	Carriage Bolt, 3/8NC x 1-1/4"	10				
15	Z29201	Grease Fitting, MP02	1				
16	Z73131G8	SAE Washer, 3/8" Grade 8	8				
17	Z72231	Hex Lock Nut, 3/8NC	8				
18	Z71660	Hex Bolt, 5/8NC x 6"	1				
19	Z73161	SAE Washer, 5/8"	1				

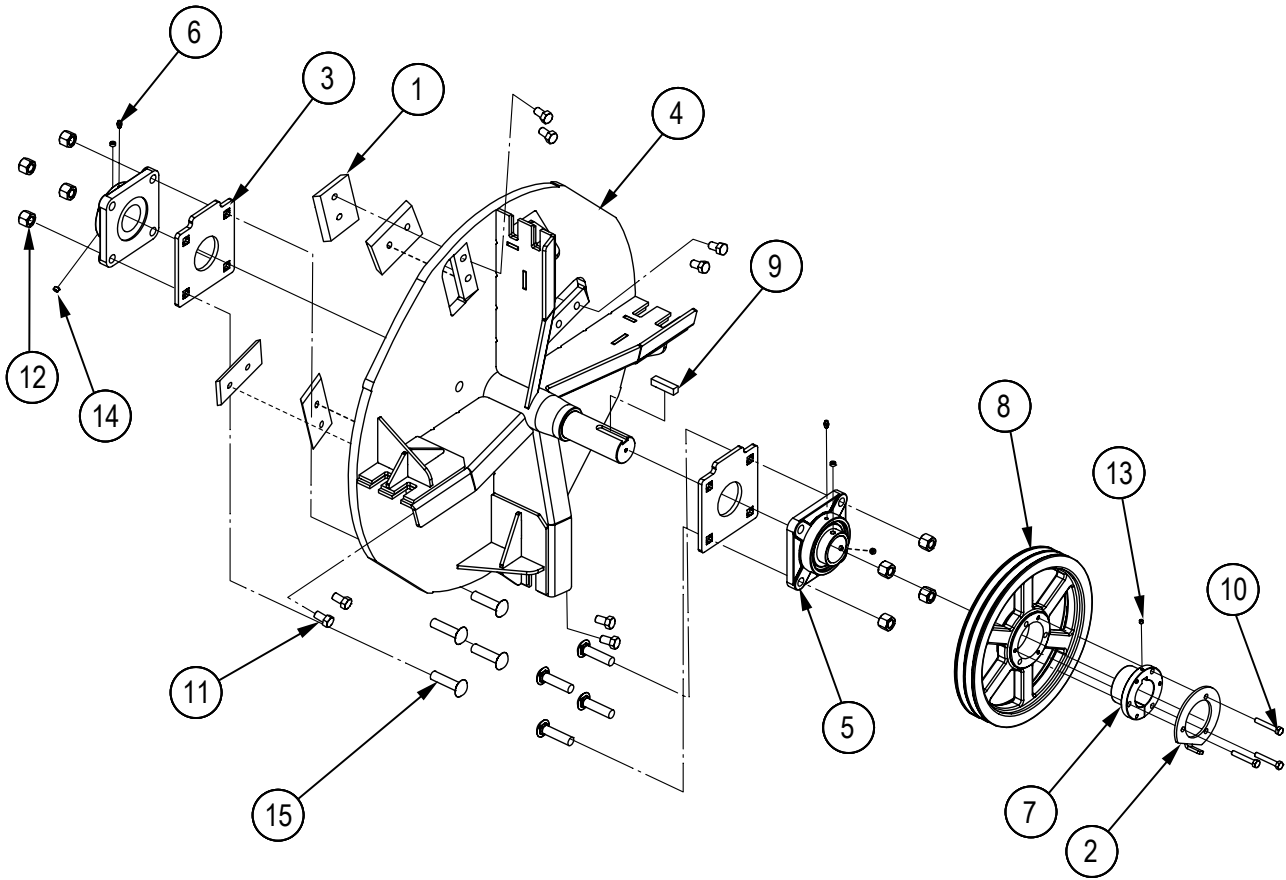
Clutch Assembly



Item No.	Part No.	Description	Qty
1	Z41903	Centrifugal Clutch	1
2	Z46599	Key	1
3	Z71615	Hex Bolt, 5/8NC x 1-1/2"	1
4	Z73161G8	SAE Washer, 5/8" Grade 8	1
7	1062W537	Guard, Belt	1
8	Z92108	Aircraft Cable, 1/8" x 36"	1

Item No.	Part No.	Description	Qty
9	Z76134	Flange Bolt, 3/8NC x 1"	2
10	1054L481	Bracket, Shield Mount 3/8	1
11	Z72831	Weld Nut, 3/8NC Flanged	2
12	Z41262	Double Belt, 2B78	1
13	1062M002	Pulley, 1B39 x Cent. Clamp	1

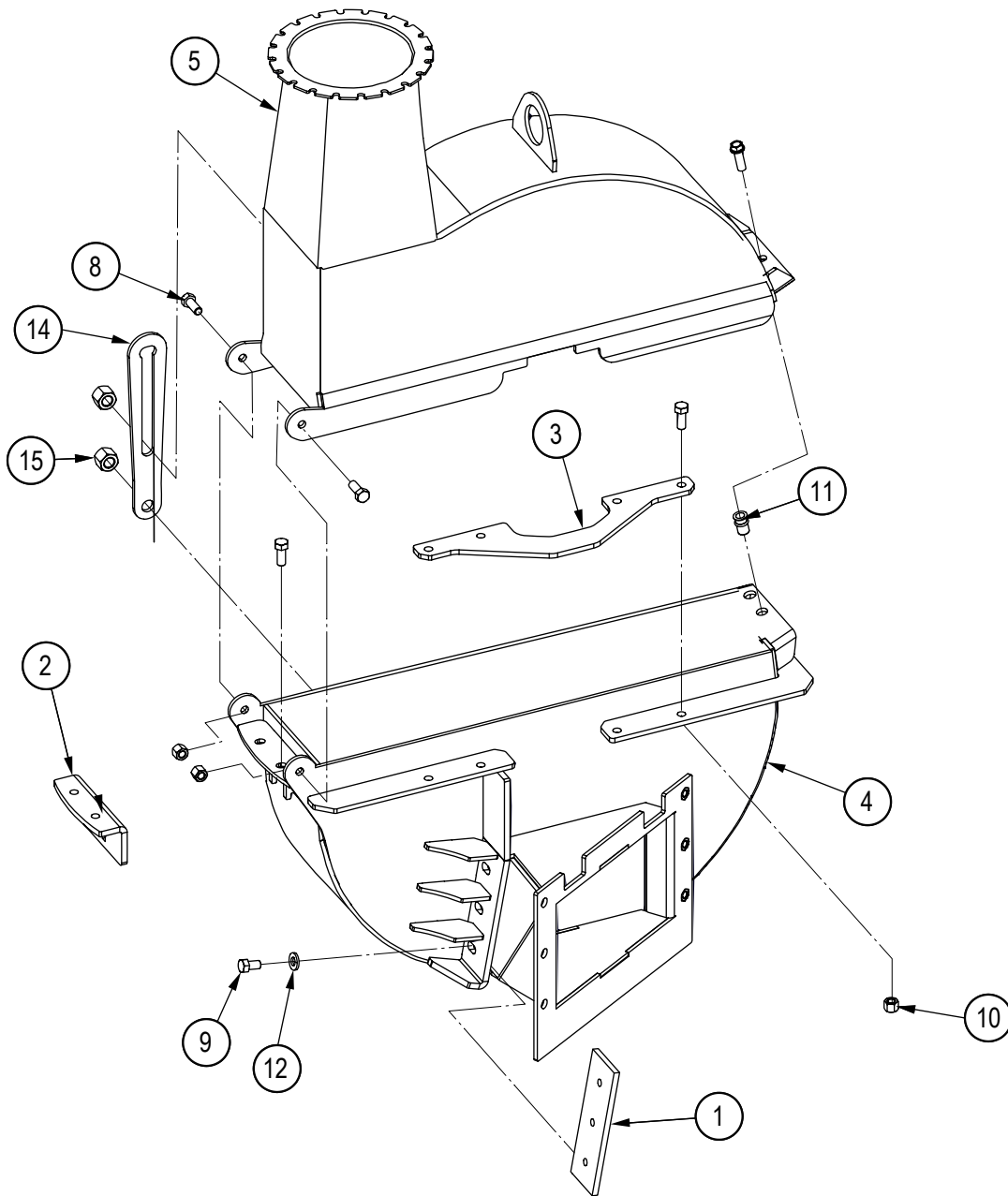
Rotor Assembly



Item No.	Part No.	Description	Qty
1	1053M303	Split Knife, BXT62 Rotor	4
2	1054L555	RPM Indicator	1
3	1062L635	Bearing Spacer Plate	2
4	1062W514	Rotor, 4-split Trailer	1
5	Z25208	2" Flange Bearing Ductile Housing	2
6	Z29202	Grease Zerk 1/4NF	2
7	Z41512	SK Bushing, 2 Bore	1
8	Z41702	Double "B" Sheave, 12.75" Pitch	1

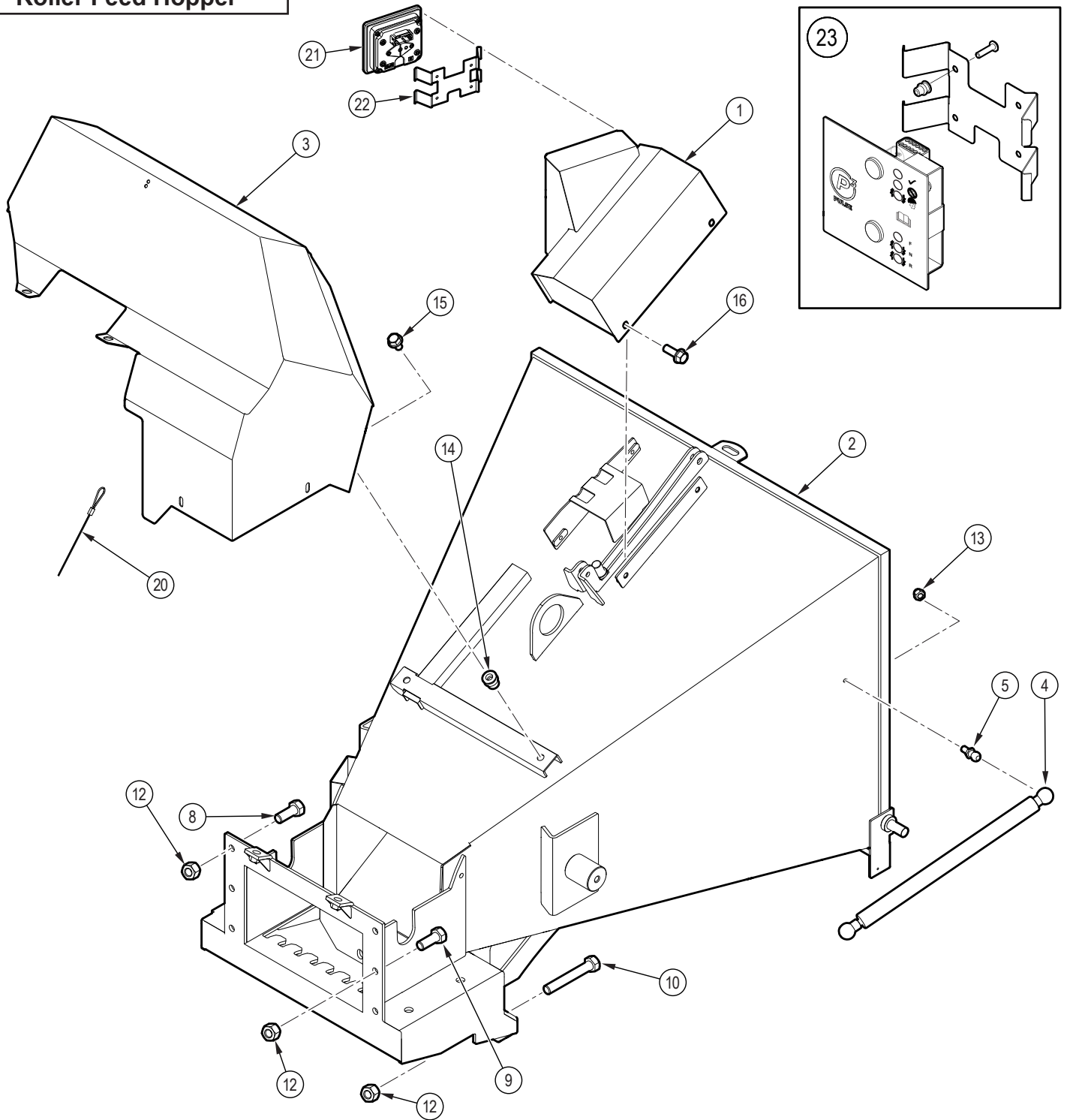
Item No.	Part No.	Description	Qty
9	Z46561	Key, 1/2 x 1/2 x 2	1
10	Z71220	Hex Bolt, 5/16NC x 2	3
11	Z71572G8	Hex Bolt, 1/2NF x 7/8 Gr8	8
12	Z72261G8	Hex Lock Nut, 5/8NC Grade 8	8
13	Z74111	Set Screw, 1/4NC	1
14	Z74132	Set Screw, 3/8NF	4
15	Z76264G8	Carriage Bolt, 5/8NC x 2-1/2 Grade 8	8

Rotor Housing



Item No.	Part No.	Description	Qty	Item No.	Part No.	Description	Qty
1	1012M204	Knife, BX62 Ledger	1	9	Z71572G8	Hex Bolt, 1/2NF x 7/8" G8	3
2	1012W204	Twig Breaker	1	10	Z72251	Hex Lock Nut, 1/2NC	8
3	1062L643	Stiffener Bridge	1	11	Z72961	Rivet Nut, 1/2NC x 350	1
4	1062W513	Housing, Bottom Rotor	1	12	Z73151	SAE Washer, 1/2"	3
5	1062W515	Housing, Upper Rotor	1	14	1023L155	Rotation Stop	1
8	Z71512	Hex Bolt, 1/2NC x 1-1/4"	8	15	Z72271	Hex Lock Nut, 3/4NC	2

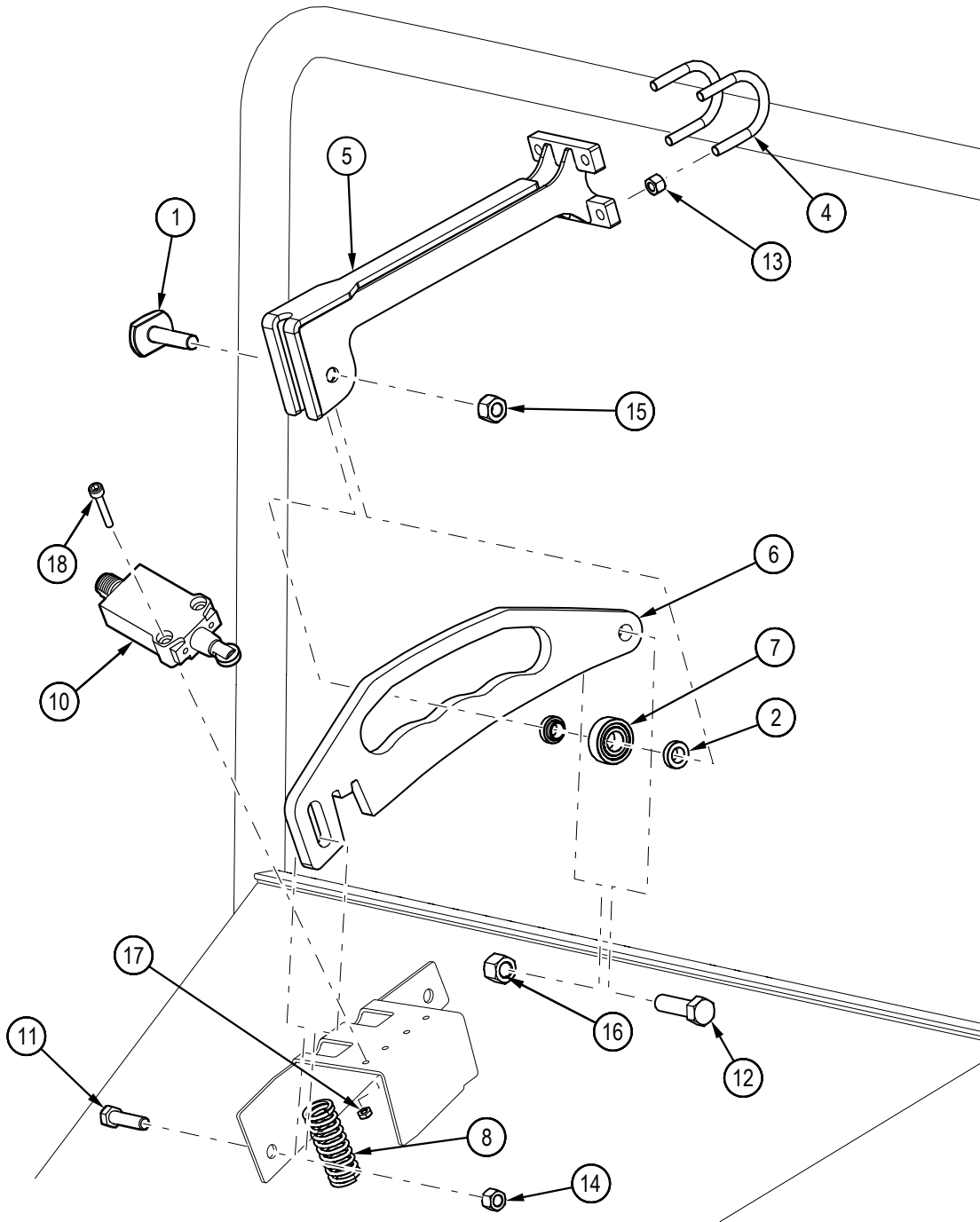
Roller Feed Hopper



Item No.	Part No.	Description	Qty
1	1062W529	Switch Cover x Display	1
2	1062W532	Hopper, Roller Feed	1
3	1062W539	Bridge Guard	1
4	Z34203	Gas Spring, 10mm x 8.44 Stroke	2
5	Z34204	Ball Stud 13mm x 5/16	2
8	Z71510	Hex Bolt, 1/2NC x 1	3
9	Z71512	Hex Bolt, 1/2NC x 1-1/4	3
10	Z71532	Hex Bolt, 1/2NC x 3-1/4	3
12	Z72251	Hex Lock Nut, 1/2NC	5

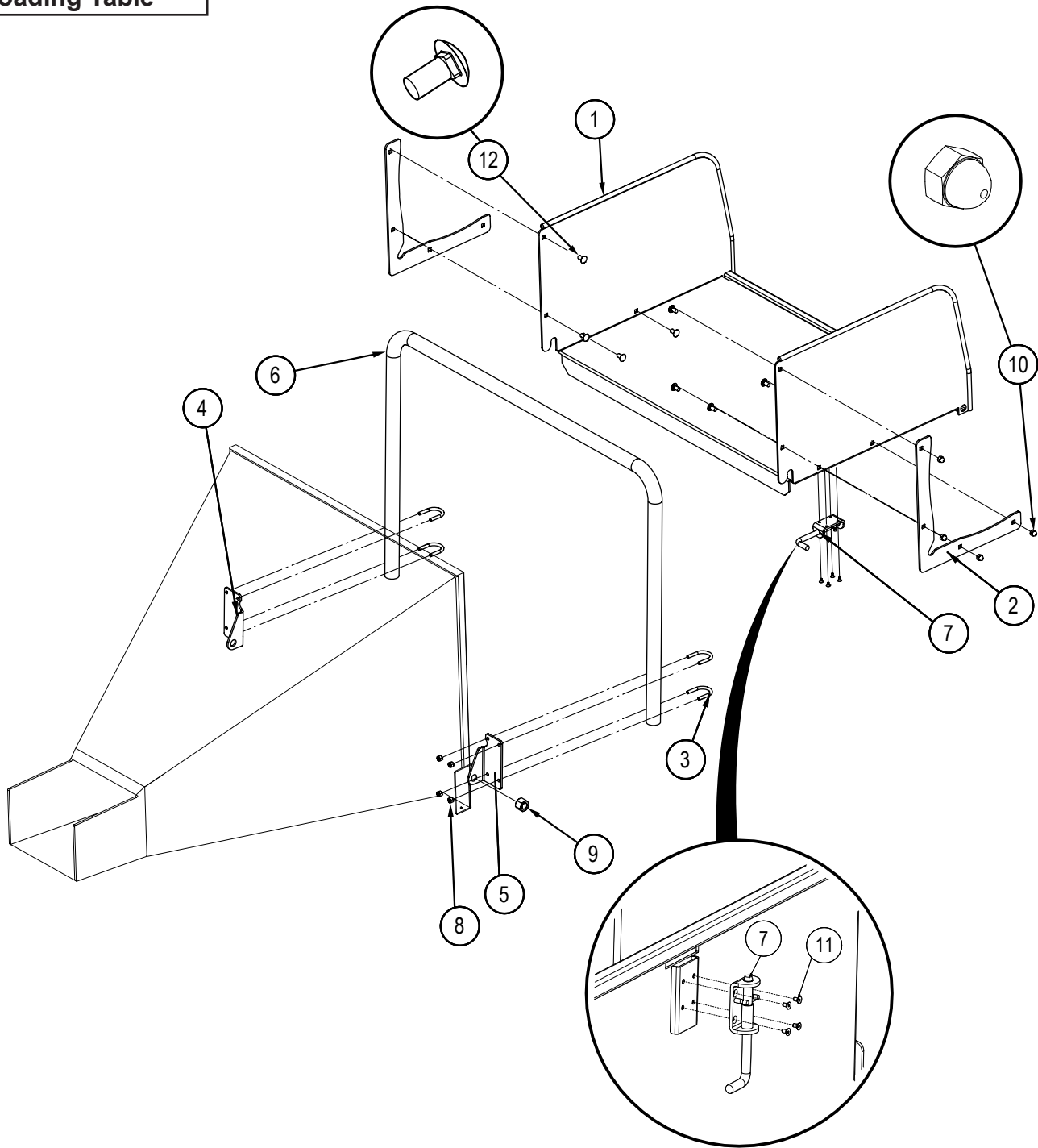
Item No.	Part No.	Description	Qty
13	Z72914	Acorn Nut, 5/16NC	2
14	Z72956	Riv-Nut 5/16NC x 150	2
15	Z76122	Flange Bolt, 5/16NC x 1/2	2
16	Z76134	Flange Bolt, 3/8NC x 1	4
20	Z92114	Safety Cable x 12"	1
21	1062E004	4.3" Display, Chipper Feed V3.0	1
22	Z66223	Bracket, Display Mount	1
23	1063A059	Indicator Panel / Mounting Kit	1

Roller Feed Handle Control



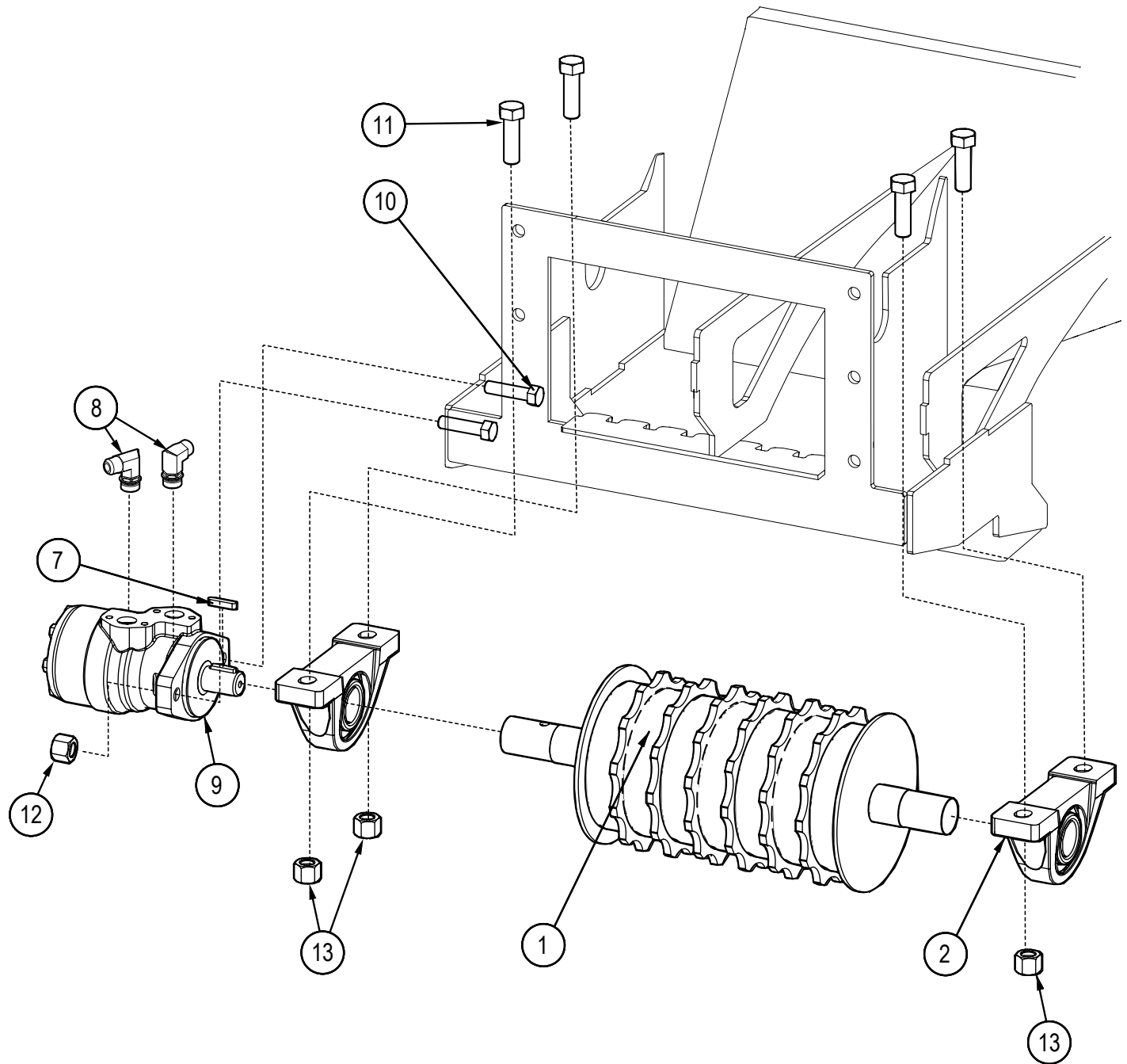
Item No.	Part No.	Description	Qty	Item No.	Part No.	Description	Qty
1	1015M536	Bolt, Indicator Head	1	11	Z71315	Hex Bolt, 3/8NC x 1-1/2	1
2	1015M537	Bushing, Bearing	2	12	Z71517	Hex Bolt, 1/2NC x 1-3/4	1
4	1015S538	U-bolt, Bearing Adapter	2	13	Z72221	Hex Lock Nut, 5/16NC	4
5	1015W517	Bearing Adapter	1	14	Z72231	Hex Lock Nut, 3/8NC	1
6	1062L607	Detent Bar	1	15	Z72241	Hex Lock Nut, 7/16NC	1
7	Z21203	Ball Bearing 6202 2RS	1	16	Z72251	Hex Lock Nut, 1/2NC	1
8	Z32403	Spring 1 x 0.115 x 2-1/2	1	17	Z72204	Hex Lock Nut, #8NC	4
10	Z66115	Limit Switch, Roller Tip x M12	2	18	Z75103	Machine Screw, #8NC x 1"	4

Loading Table



Item No.	Part No.	Description	Qty
1	1062W506	Table, Fold-Down	1
2	1015L559	Brace, Table Capture	2
3	1015S538	U-bolt, Bearing Adapter	4
4	1062L622	Bracket, Handle LH	1
5	1062L622H	Bracket, Handle RH	1
6	1062S101	Chute Handle	1
7	Z18207	Spring Latch Pin 1/2 x 1" Stroke	1
8	Z72221	Hex Lock Nut, 5/16NC	8
9	Z72271	Hex Lock Nut, 3/4NC	2
10	Z72911	Acorn Nut, 3/8NC	8
11	Z75202	FHCS, #10-32NF x 3/8	4
12	Z76233	Carriage Bolt, 3/8NC x 3/4	8

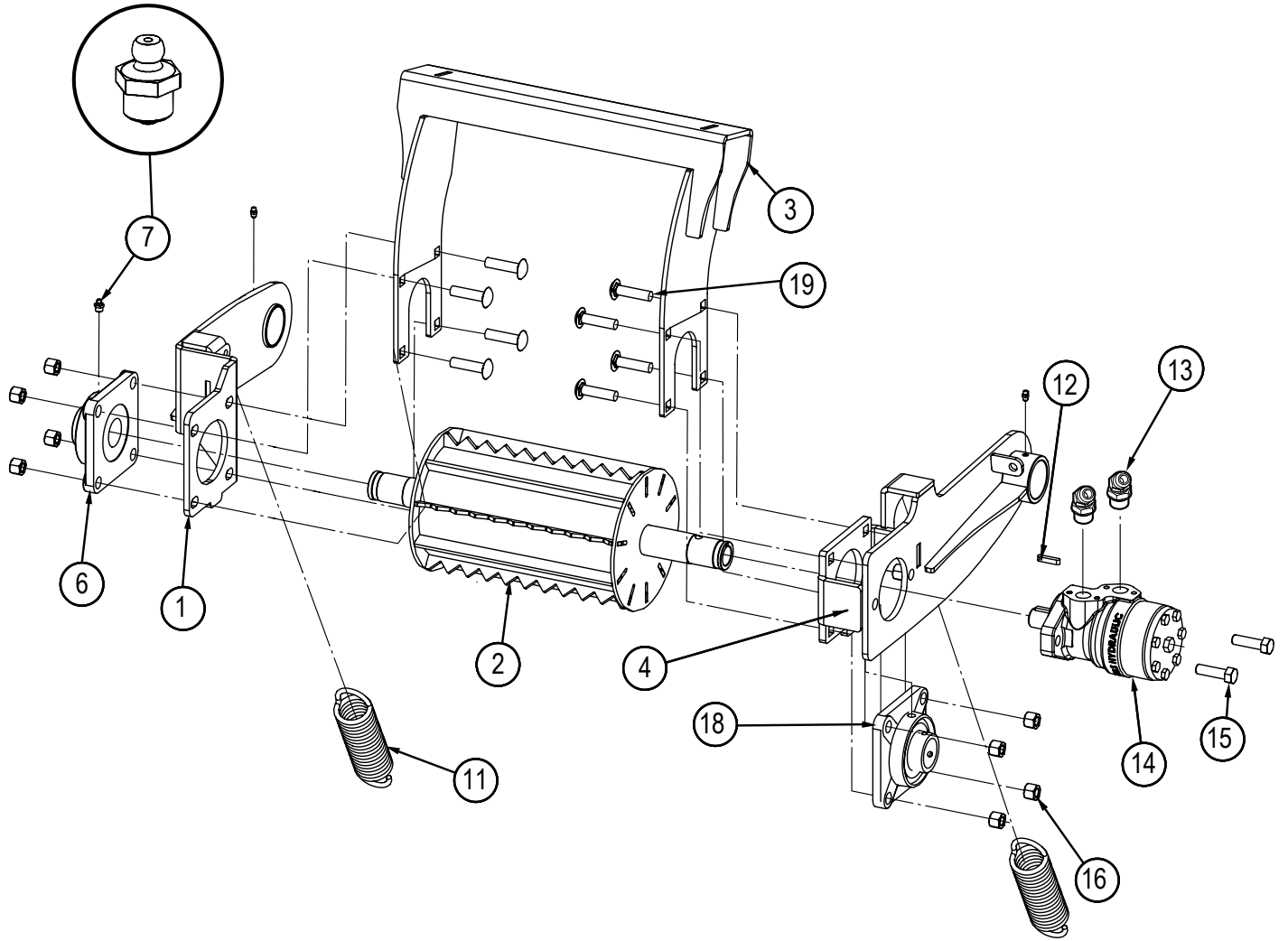
Lower Roller – Left View



Item No.	Part No.	Description	Qty
1	1015W511	Roller, Lower Feed	1
2	Z24101	P208 Pillow Block 1-1/2	2
7	Z46594	Blind Chipper Key 1/4 x 1-1/4	1

Item No.	Part No.	Description	Qty
8	Z51658	Elbow 90, MJIC x MORB 0810	2
9	Z54102	M&S Hydraulic Motor 200	1
10	Z71520	Hex Bolt, 1/2NC x 2	2
11	Z71620	Hex Bolt, 5/8NC x 2	4
12	Z72251	Hex Lock Nut, 1/2NC	2
13	Z72261	Hex Lock Nut, 5/8NC	4

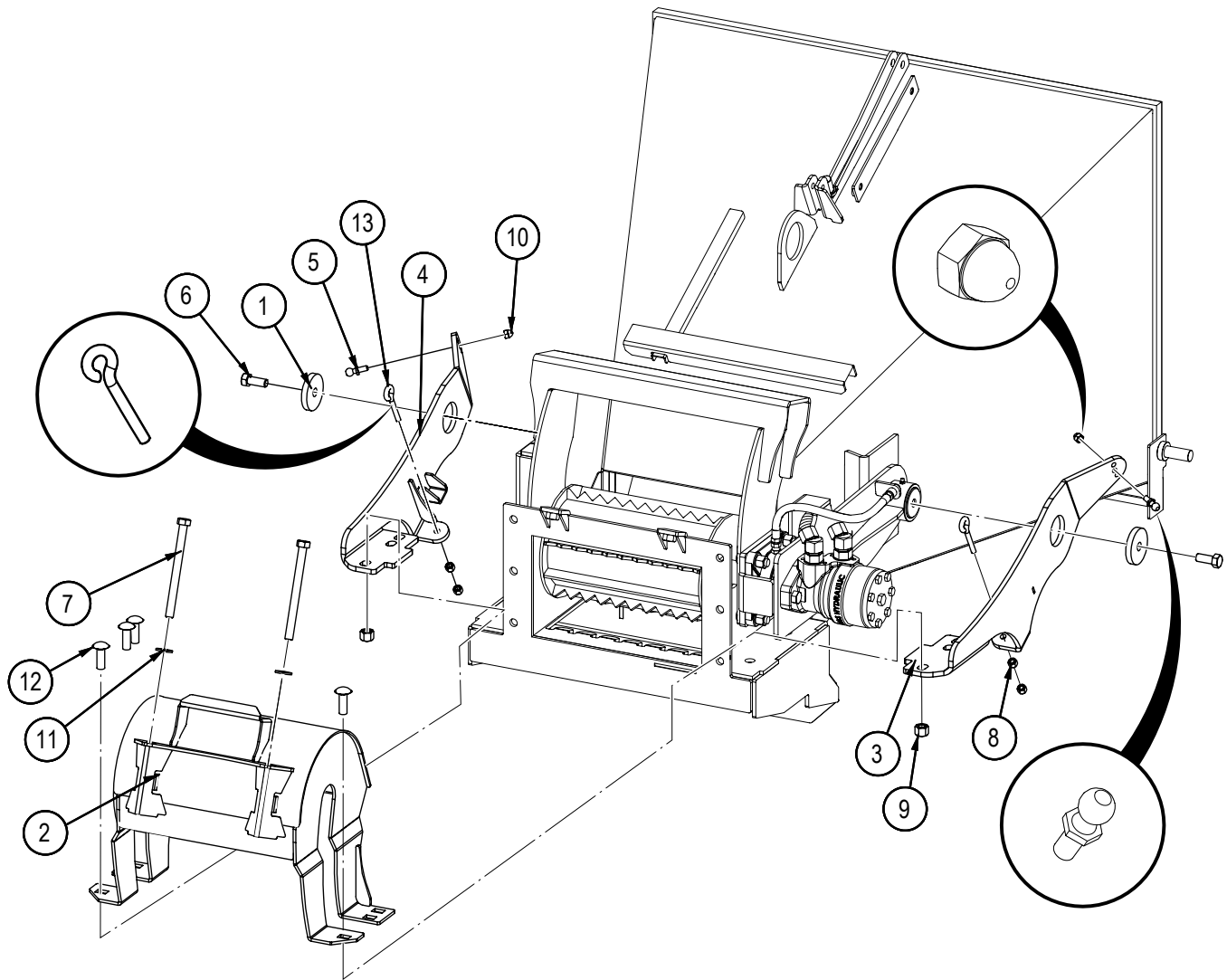
Upper Roller Arm Assembly



Item No.	Part No.	Description	Qty
1	1015W508	Roller Arm, RH	1
2	1015W513	Roller, Upper Feed	1
3	1015W520	Bridge	1
4	1062W516	Arm, Upper Roller LH	1
6	Z25204	4-Bolt Bearing 1-1/2" Bore	2
7	Z29201	Grease Fitting, 1/8NPT	1

Item No.	Part No.	Description	Qty
11	Z31501	Spring 2 x 7 Heavy	2
12	Z46594	Blind Chipper Key 1/4 x 1-1/4	1
13	Z51663	Elbow 45, MJIC x MORB 0810	2
14	Z54102	M&S Hydraulic Motor 200	1
15	Z71517	Hex Bolt, 1/2NC x 1-3/4	2
16	Z72251	Hex Lock Nut, 1/2NC	10
18	Z74121	Set Screw, 5/16NC	4
19	Z76255	Carriage Bolt, 1/2NC x 2	8

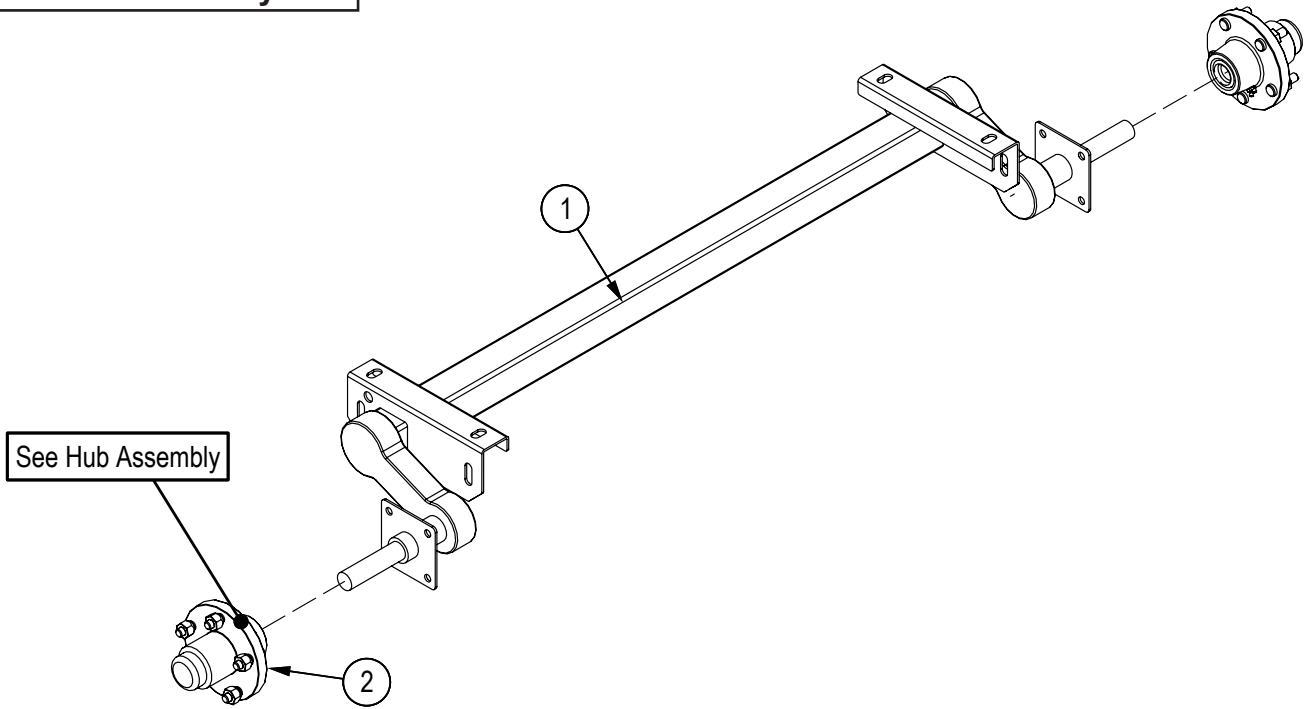
Roller Hood Assembly



Item No.	Part No.	Description	Qty
1	1015L618	Capture Washer	2
2	1015W507	Top Roller Hood	1
3	1015W510	Hood Pivot Arm	1
4	1015W510H	Hood Arm	1
5	Z34204	Ball Stud 13mm x 5/16	2
6	Z71512	Hex Bolt, 1/2NC x 1-1/4	2
7	Z71560	Hex Bolt, 1/2NC x 6	2

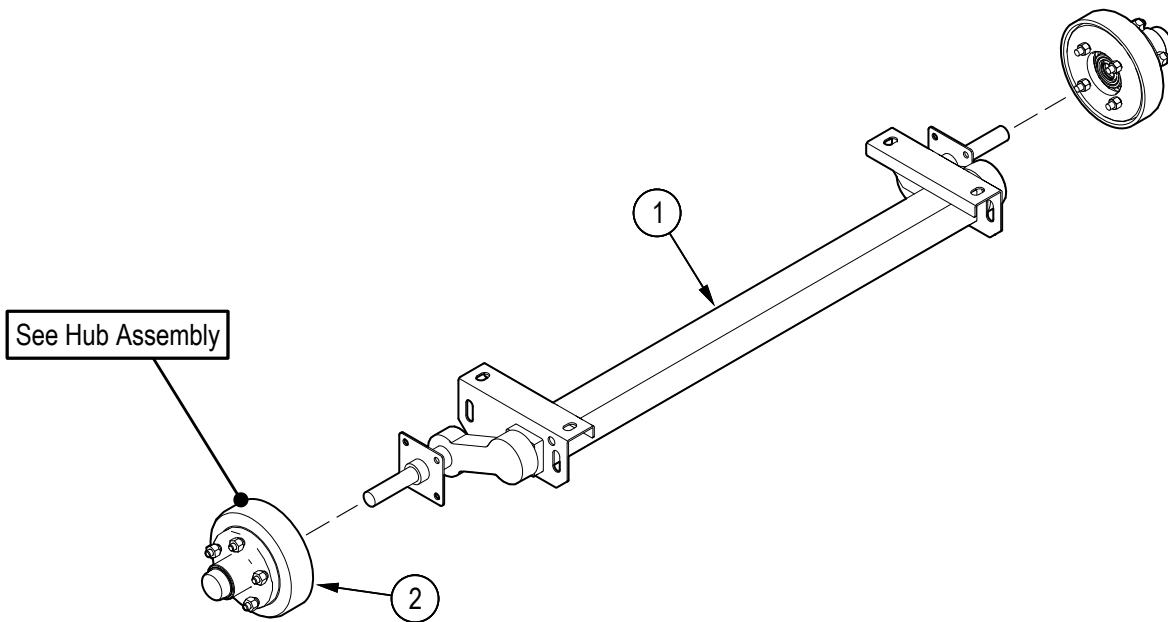
Item No.	Part No.	Description	Qty
8	Z72221	Hex Lock Nut, 5/16NC	4
9	Z72251	Hex Lock Nut, 1/2NC	6
10	Z72914	Acorn Nut, 5/16NC	2
11	Z73151	Flat Washer, 1/2	2
12	Z76251	Carriage Bolt, 1/2NC x 1-1/2	6
13	Z76522	Eye Bolt 5/16NC x 2	2

Z91134 Axle Assembly



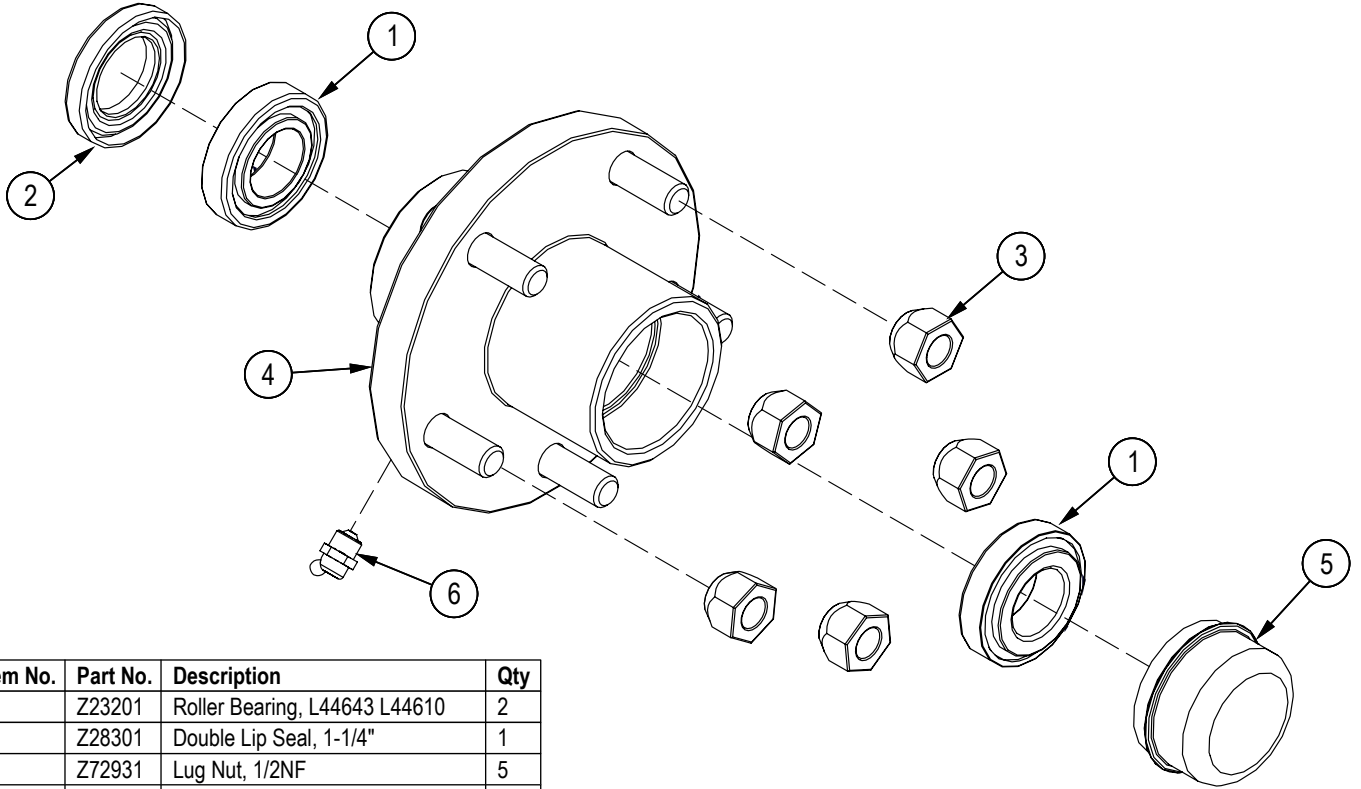
Item No.	Part No.	Description	Qty
1	Z91134	#10 Full Flex Axle, 2700lbs x 54" HF	1
2	Z91204	Idler Hub Assy, 1100lbs x 5on4-1/2"	2

Z91135 Axle Assembly with Brakes



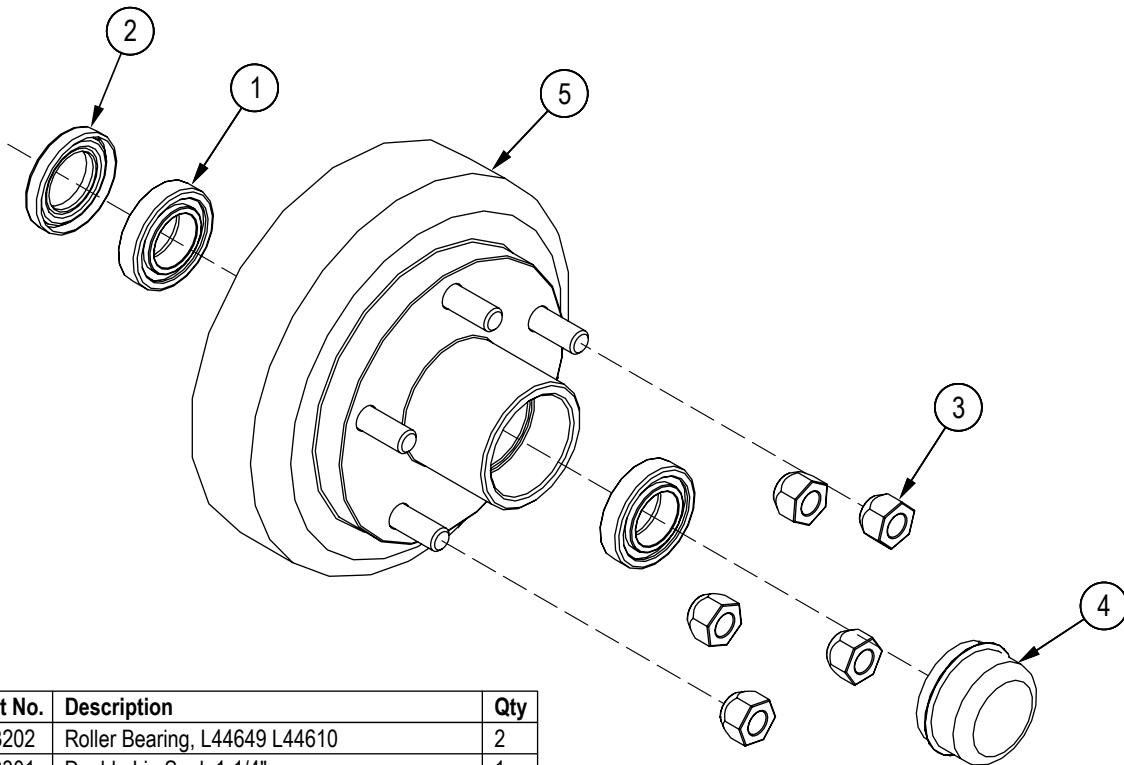
Item No.	Part No.	Description	Qty
1	Z91135	#10 Full Flex Axle, 2700lbs x 54" HF With Electric Brakes	1
2	Z91723	Brake Drum 7" x 1100lbs 5on4-1/2"	2

Hub Assembly Detail



Item No.	Part No.	Description	Qty
1	Z23201	Roller Bearing, L44643 L44610	2
2	Z28301	Double Lip Seal, 1-1/4"	1
3	Z72931	Lug Nut, 1/2NF	5
4	Z91203	Hub, 1100lbs x 5on4-1/2"	1
5	Z91801	Dust Cap, 1.98 Bore	1
6	Z29204	Elbow 45 Grease Fitting, MP02	1

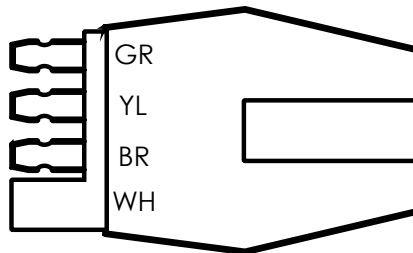
Brake Drum Assembly Detail - BXTR6834B



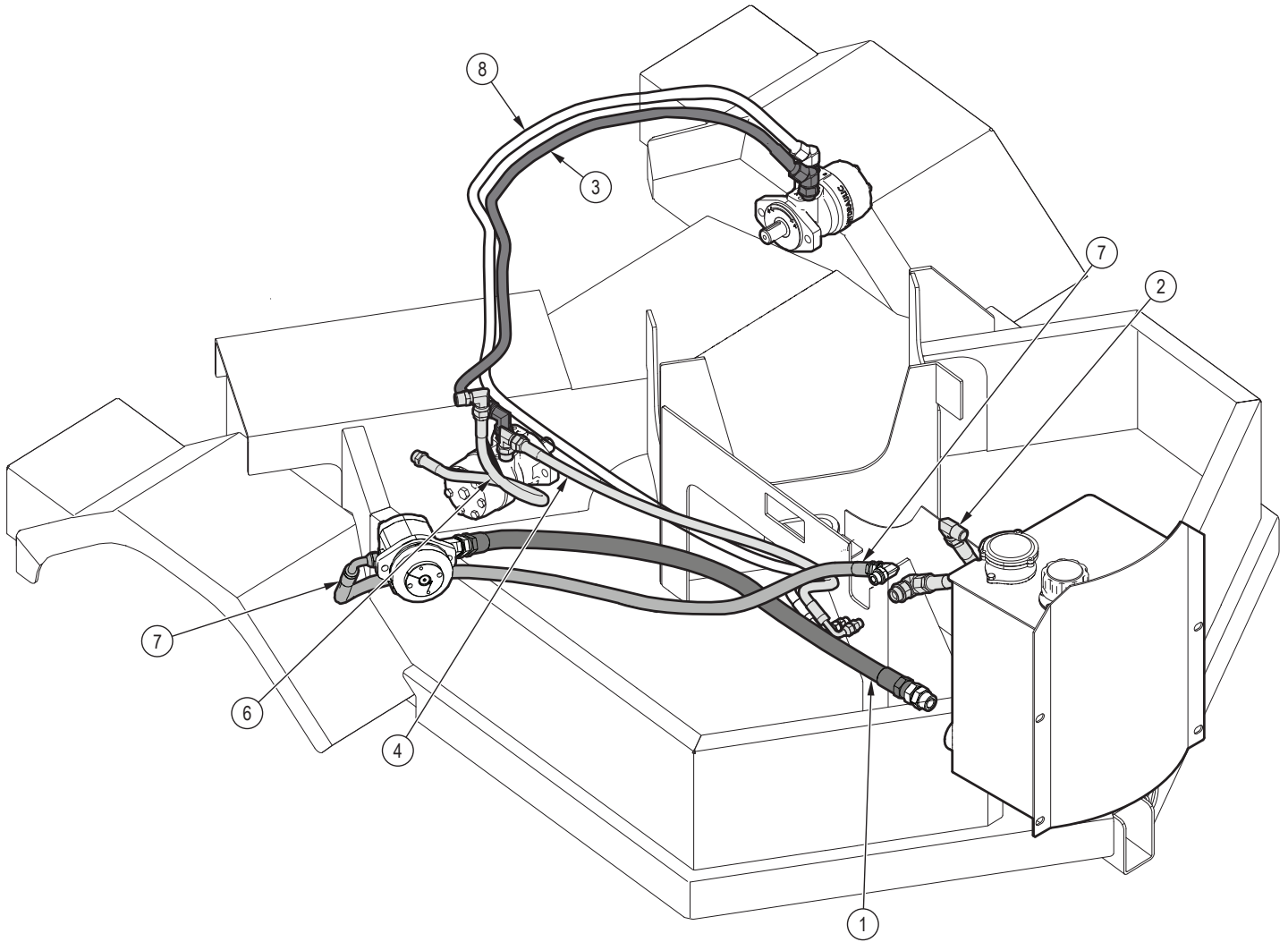
Item No.	Part No.	Description	Qty
1	Z23202	Roller Bearing, L44649 L44610	2
2	Z28301	Double Lip Seal, 1-1/4"	1
3	Z72931	Lug Nut, 1/2NF	5
4	Z91801	Dust Cap, 1.98 Bore	1
5	Z91722	Brake Drum, 7" x 1100lbs 5on4-1/2" Drum Only	1

Trailer Harness 1062F101

4-PIN
CONNECTOR
WITH DUST CAP



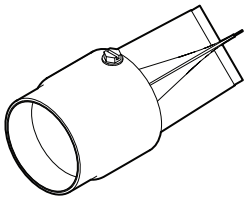
Hydraulic Plumbing Diagram



Item No.	Part No.	Description	Qty
1	1062F120	3/4" Hose, FJIC12 x FJIC12 x 34" Suction	1
2	1062F121	1/2" Hose, FJIC08 x 90FJIC08 x 10"	1
3	1062F123	3/8" Hose, FJIC08 x FJIC08 x 48"	1
4	1062F118	3/8" Hose, 90FJIC06 x FJIC08 x 32"	1
6	1062F126	3/8" Hose, 90FJIC06 x FJIC06 x 19"	1
7	1062F119	1/2" Hose, FJIC08 x 90FJIC08 x 41"	1
8	1062F122	3/8" Hose, 90FJIC06 x FJIC08 x 84"	1

Accessories

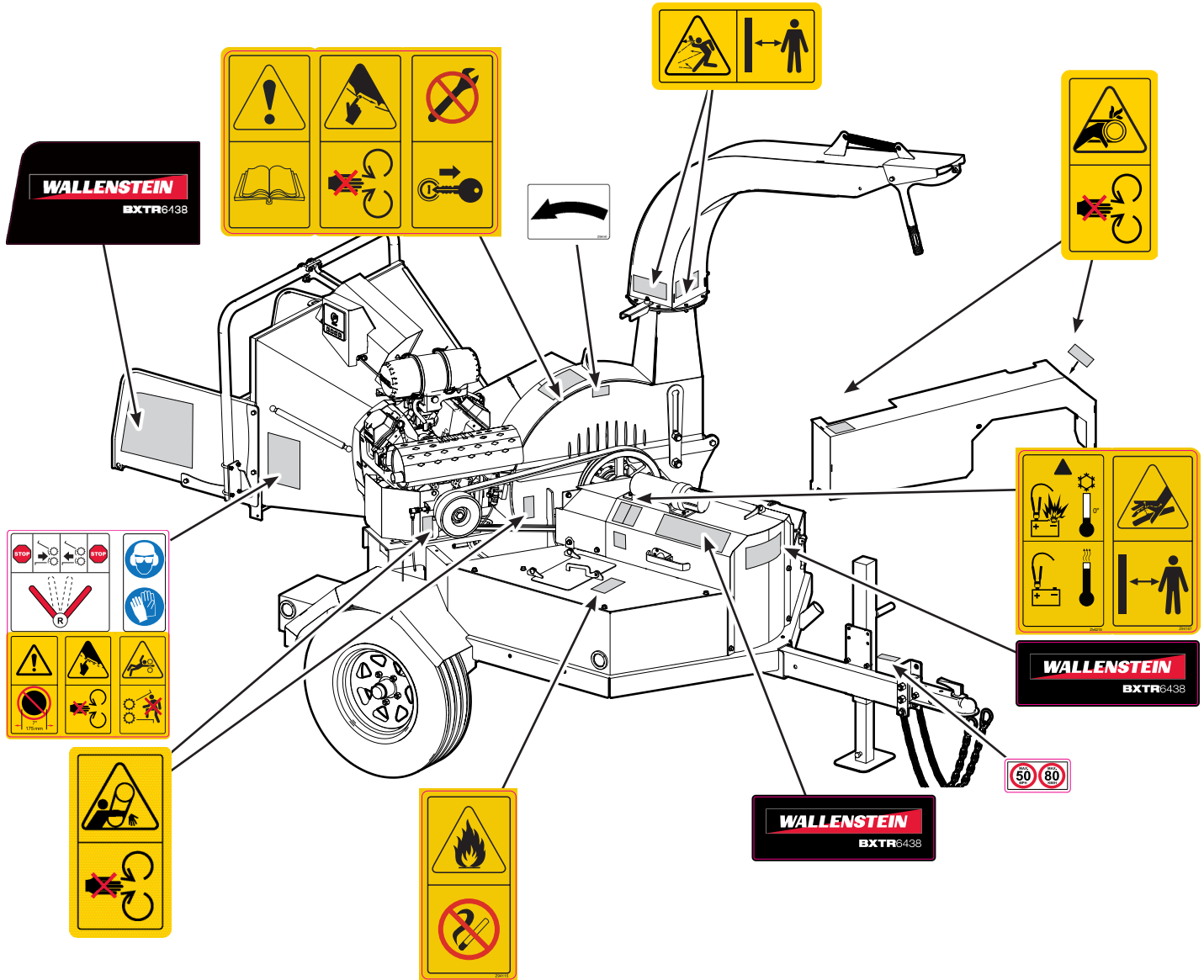
Call your dealer for pricing and availability

	<p>SPARK ARRESTOR Z47920</p>
---	-------------------------------------

Decal Layout

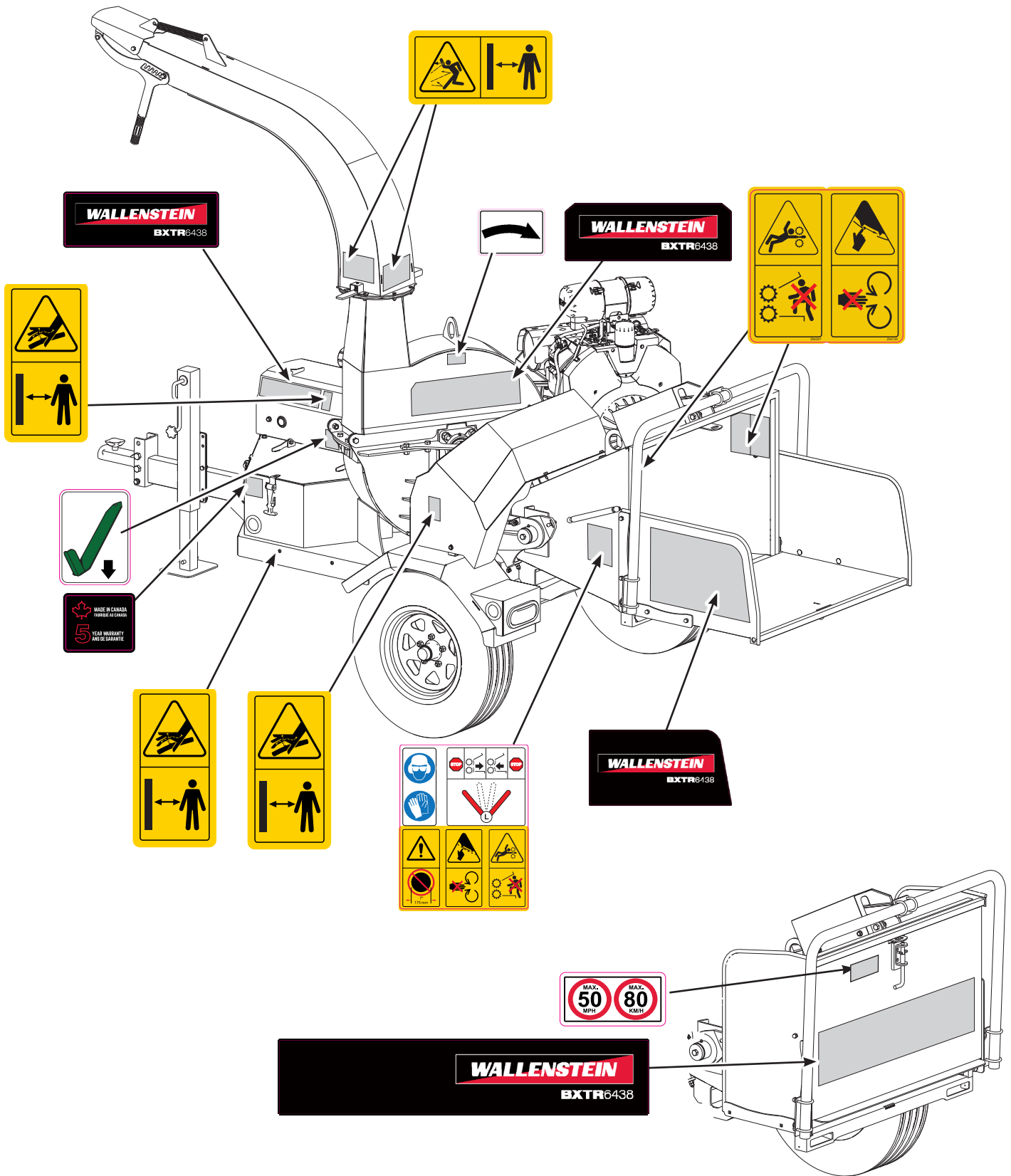
NOTE: If parts are replaced that have safety signs on them, new signs must be applied. Safety signs must always be replaced if they become damaged, are removed, or become illegible.

Safety signs are included in the product decal kit available from your authorized dealer. Decals are not available separately.



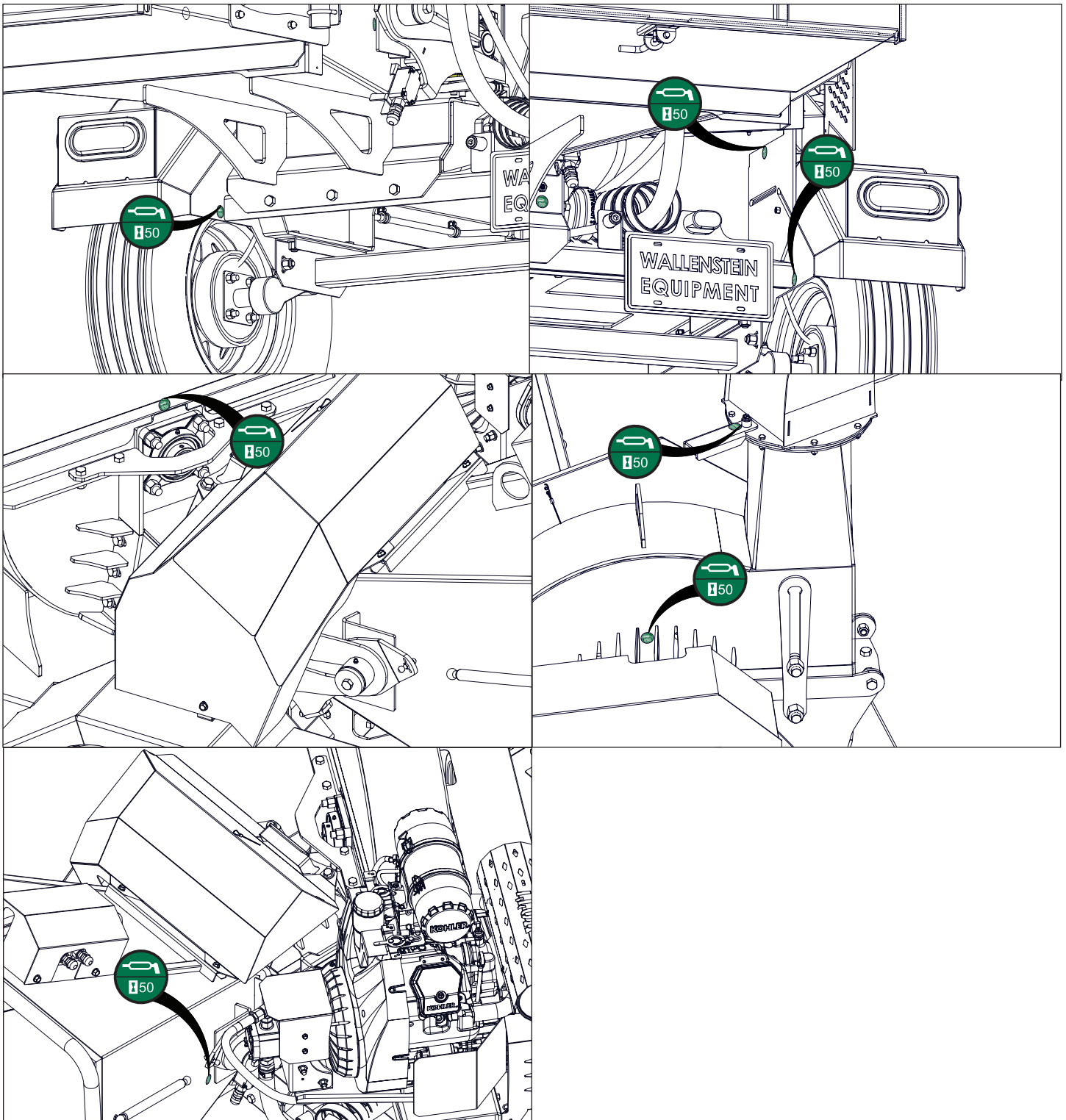
NOTE: BXTR6438 shown. BXTR6438B same.

Decal Layout



NOTE: BXTR6438 shown. BXTR6438B same.

Decal Layout – Lubrication




Common Bolt Torque Values

Checking Bolt Torque

The tables shown give correct torque values for various bolts and capscrews. Tighten all bolts to the torque values specified in the table, unless indicated otherwise. Check tightness of bolts periodically.

IMPORTANT! If replacing hardware, use fasteners of the same grade.

IMPORTANT! Torque figures indicated in the table are for non-greased or non-oiled threads. Do not grease or oil threads unless indicated otherwise. When using a thread locker, increase torque values by 5%.

 **NOTE:** Bolt grades are identified by their head markings.

Imperial Bolt Torque Specifications

Bolt Diameter	Torque Value					
	SAE Gr. 2		SAE Gr. 5		SAE Gr. 8	
	lbf•ft	N•m	lbf•ft	N•m	lbf•ft	N•m
1/4"	6	8	9	12	12	17
5/16"	10	13	19	25	27	36
3/8"	20	27	33	45	45	63
7/16"	30	41	53	72	75	100
1/2"	45	61	80	110	115	155
9/16"	60	95	115	155	165	220
5/8"	95	128	160	215	220	305
3/4"	165	225	290	390	400	540
7/8"	170	230	420	570	650	880
1"	225	345	630	850	970	1320



SAE Gr. 2



SAE Gr. 5



SAE Gr. 8

Metric Bolt Torque Specifications

Bolt Diameter	Torque Value			
	Gr. 8.8		Gr. 10.9	
	lbf•ft	N•m	lbf•ft	N•m
M3	0.4	0.5	1.3	1.8
M4	2.2	3	3.3	4.5
M6	7	10	11	15
M8	18	25	26	35
M10	37	50	52	70
M12	66	90	92	125
M14	83	112	116	158
M16	166	225	229	310
M20	321	435	450	610
M30	1,103	1 495	1,550	2 100



8.8



10.9

Hydraulic Fitting Torque Values

Tightening Flare Type Tube Fittings

1. Check flare and flare seat for defects that might cause leakage.
2. Align tube with fitting before tightening.
3. Hand-tighten swivel nut until snug.
4. To prevent twisting the tube, use two wrenches. Place one wrench on the connector body and tighten the swivel nut with the second. Torque to values shown.

If a torque wrench is not available, use the FFFT (Flats From Finger Tight) method.

Hydraulic Fitting Torque					
Tube Size OD	Hex Size Across Flats	Torque value		Flats From Finger Tight	
		lbf•ft	N•m	Flats	Turns
3/16	7/16	6	8	2	1/6
1/4	9/16	11–12	15–17	2	1/6
5/16	5/8	14–16	19–22	2	1/6
3/8	11/16	20–22	27–30	1-1/4	1/6
1/2	7/8	44–48	59–65	1	1/6
5/8	1	50–58	68–79	1	1/6
3/4	1-1/4	79–88	107–119	1	1/8
1	1-5/8	117–125	158–170	1	1/8

Values shown are for non-lubricated connections.

Wheel Lug Torque Values

It is extremely important safety procedure to apply and maintain proper wheel mounting torque on your trailer axle. Torque wrenches are the best method to assure the proper amount of torque is being applied to a fastener.

Wheel lugs should be torqued before first road use and after each wheel removal. Check and re torque after the first 10 miles (16 Km), 25 miles (40 Km), and again at 50 miles (80 Km). Check periodically thereafter.

NOTE: *Wheel lugs must be applied and maintained at the proper torque levels to prevent loose wheels, broken studs, and possible dangerous separation of wheels from your axle.*

- Start all lugs by hand to prevent cross threading.
- Tighten lugs in sequence, per wheel lug torque sequence chart.
- The tightening of the fasteners should be done in stages. Following the recommended sequence, tighten fasteners per wheel torque requirements chart.

Wheel Lug Nut Torque				
Wheel Size	Units	1st Stage	2nd Stage	3rd Stage
8"	lbf•ft N•m	12–20 16–26	30–35 39–45.5	45–55 58.5–71.5
12"	lbf•ft N•m	20–25 26–32.5	35–40 45.5–52	50–60 65–78
13"	lbf•ft N•m	20–25 26–32.5	35–40 45.5–52	50–60 65–78
14"	lbf•ft N•m	20–25 26–32.5	50–60 65–78	90–120 117–156
15"	lbf•ft N•m	20–25 26–32.5	50–60 65–78	90–120 117–156
16"	lbf•ft N•m	20–25 26–32.5	50–60 65–78	90–120 117–156

Wheel Lug Torque Pattern

