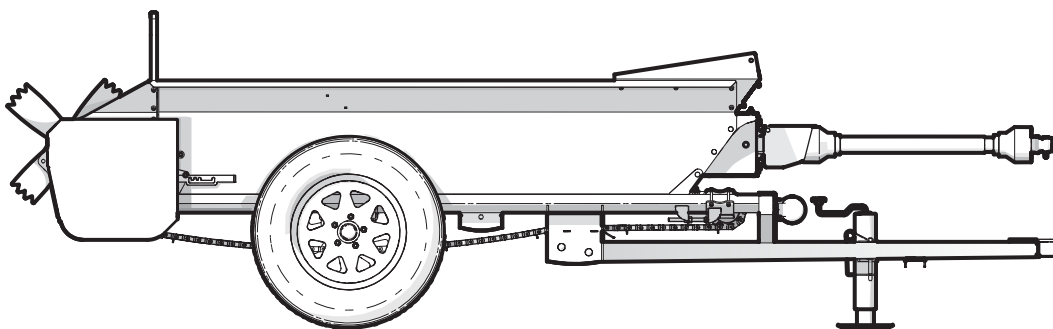


PARTS MANUAL

Serial Number 7050P106 & up

MX50P MANURE SPREADER



Foreword

This Wallenstein parts manual is prepared to assist customers in ordering quality OEM replacement parts.

Regular maintenance combined with replacing old, worn or broken parts with the correct OEM parts is essential in prolonging the life of your Wallenstein product. Refer to this manual to identify replacement parts.

To order parts, contact your Wallenstein dealer or distributor. Have the product model and serial number handy.

If your dealer is no longer available, please go to our website: <http://wallensteinequipment.com> and click on the [Dealer Locator](#) to find the nearest dealer.

All information contained in this parts manual is current as per the revision date at the bottom of the page. Wallenstein reserves the right to change product specifications at any time without notice.

If your product specifications differ from those contained in this manual, contact Wallenstein for current information.

Reproduction of information in this parts manual is prohibited without prior written permission from Wallenstein Equipment Inc.

Wallenstein Equipment Inc. • © 2019

WARNING!

Refer to the operators manual for safe operation and maintenance.

Maintenance should be performed by trained personnel only.

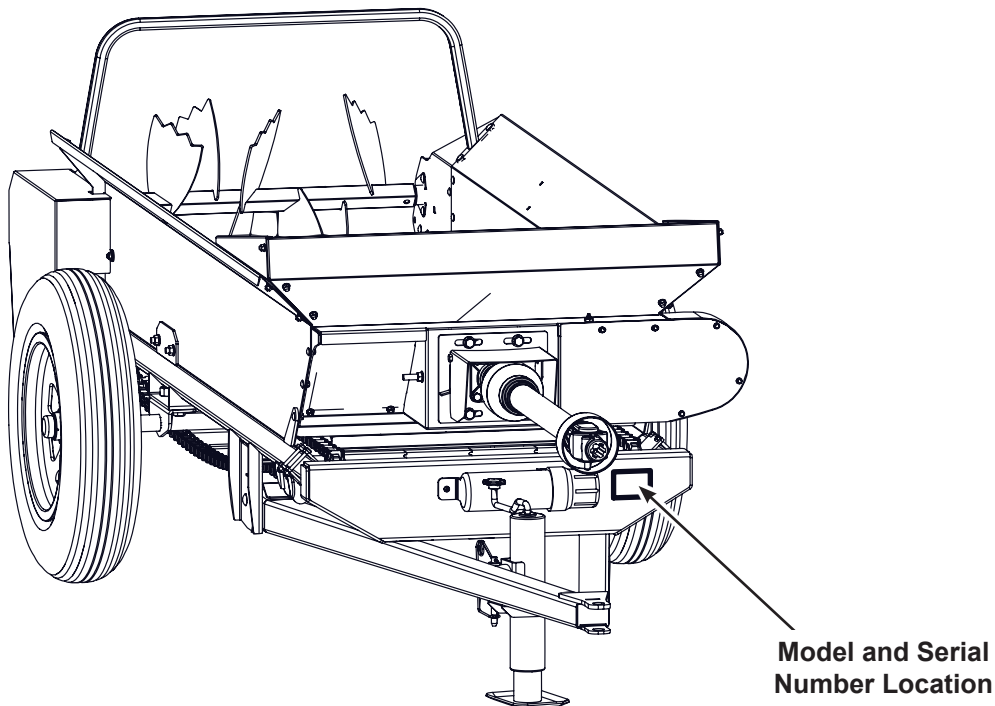
Serial Number Location

Always provide the model and serial number of your Wallenstein product when ordering parts or requesting service or other information. This information is found on the product information plate as shown below.

Record your product information here for future reference.

Model _____

Serial Number _____

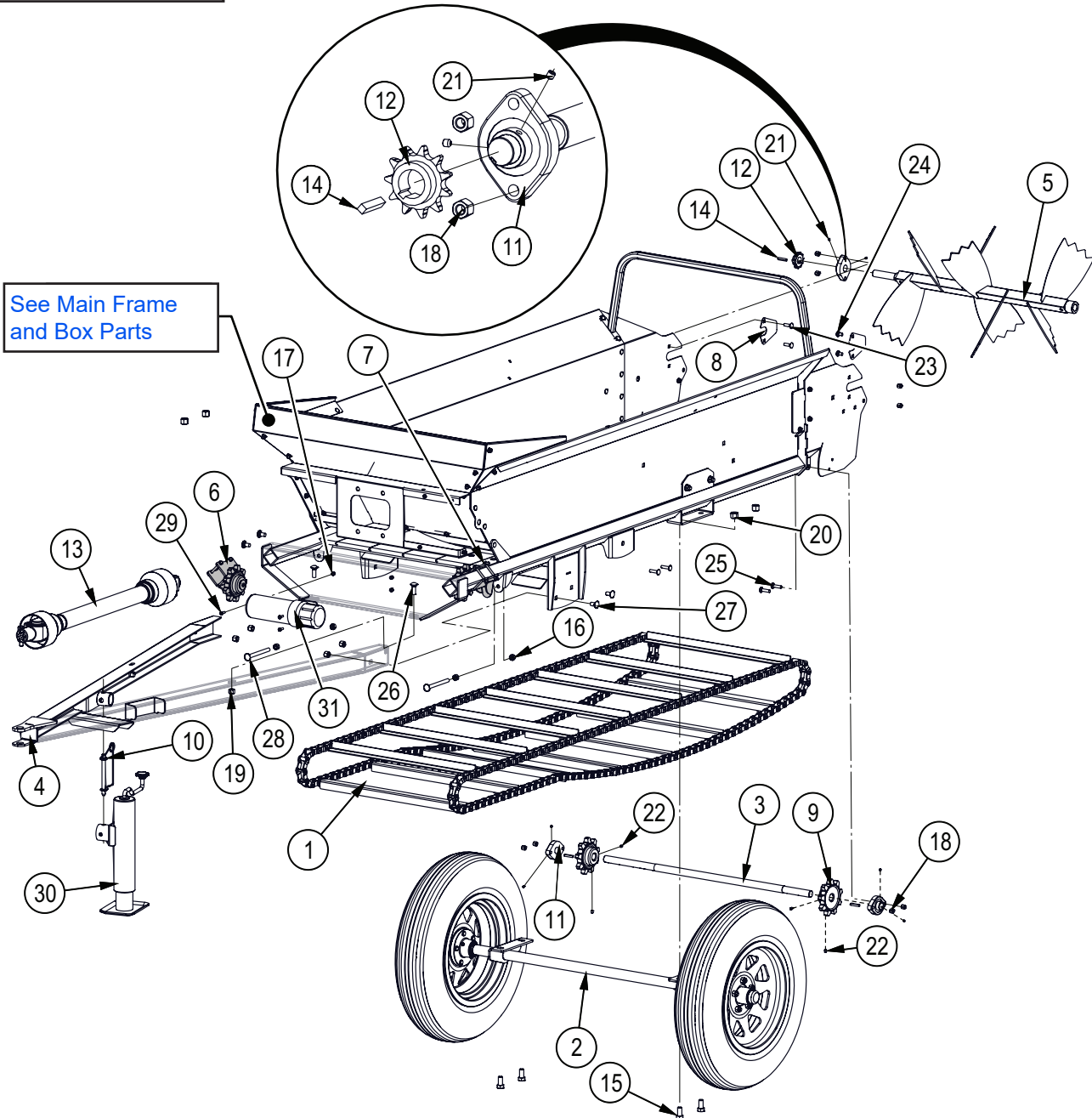


www.wallensteinequipment.com

Contents

| | |
|--|-----------|
| Main Parts..... | 4 |
| Main Frame and Box..... | 5 |
| Box Panel PTO Assembly | 6 |
| Apron Chain and Front Sprockets | 7 |
| PTO Driveline | 8 |
| PTO Axle Assembly | 9 |
| PTO Drive..... | 10 |
| Adjustable Input Shaft Assembly | 11 |
| Apron Chain Ratchet | 12 |
| Apron Ratchet Drive Mechanism..... | 13 |
| Idler Hub Assembly..... | 14 |
| Decal Layout..... | 15 |
| Common Bolt Torque Values | 17 |
| Wheel Lug Torque Values..... | 19 |

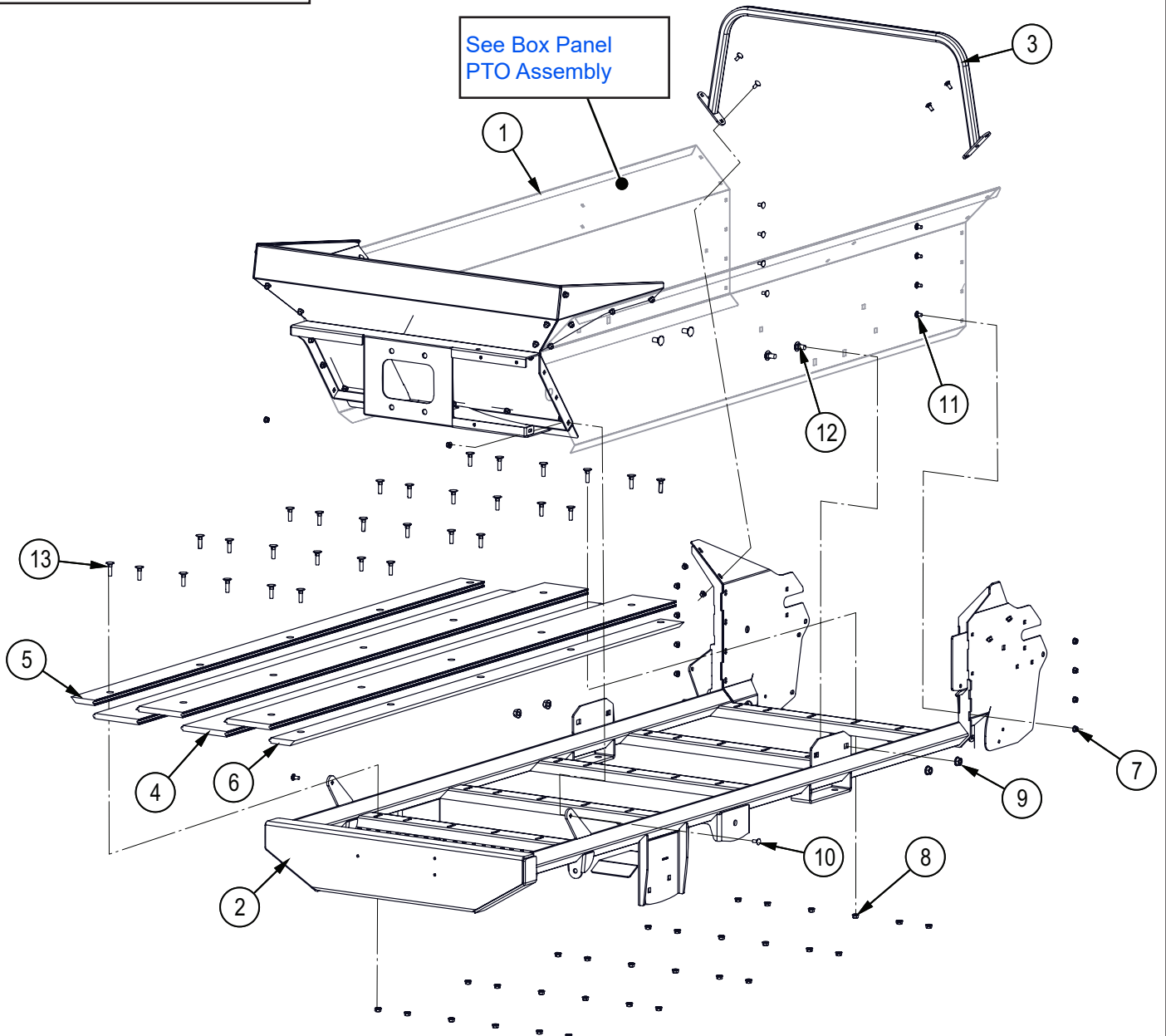
Main Parts



| Item No. | Part No. | Description | Qty |
|----------|----------|-----------------------------------|-----|
| 1 | 7012A302 | Assembly, Apron Chain 662 | 1 |
| 2 | 7013A304 | Assembly, PTO Axle | 1 |
| 3 | 7013M303 | Shaft, Rear Apron Drive | 1 |
| 4 | 7013W302 | MX80 Hitch Frame | 1 |
| 5 | 7013W316 | Beater Bar, PTO Drive | 1 |
| 6 | 7015A505 | Assy, Front Apron Sprocket RH | 1 |
| 7 | 7015A506 | Assy, Front Apron Sprocket LH | 1 |
| 8 | 7015L560 | Plate, Beater Bar Capture | 2 |
| 9 | 7015M501 | Sprocket, Apron Chain Rear | 2 |
| 10 | Z12441 | Snap Lock Pin, 1/2" x 4-1/2" | 1 |
| 11 | Z25102 | 2-Bolt Flange Bearing, SBFD205-16 | 3 |
| 12 | Z42803 | Sprocket, #50 x 11 x 1" | 1 |
| 13 | Z44203 | PTO Shaft, Series B2 x 39.685" | 1 |
| 14 | Z46532 | Key, 1/4" x 1/4" x 1-1/2" | 3 |
| 15 | Z71612 | Hex Bolt, 5/8NC x 1-1/4" | 4 |
| 16 | Z72151 | Hex Nut, 1/2NC | 4 |

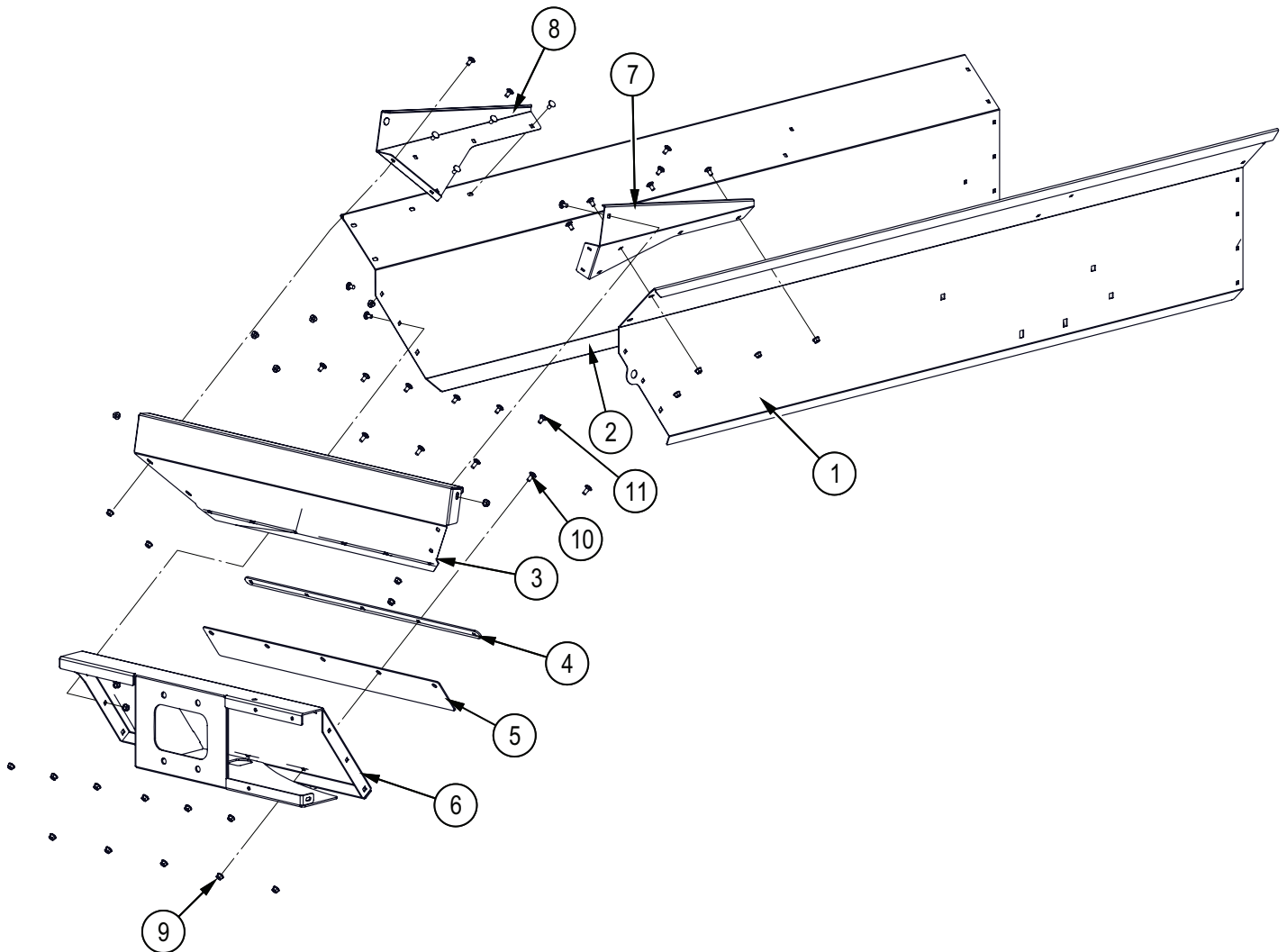
| Item No. | Part No. | Description | Qty |
|----------|----------|--|-----|
| 17 | Z72211 | Hex Lock Nut, 1/4NC | 3 |
| 18 | Z72231 | Hex Lock Nut, 3/8NC | 8 |
| 19 | Z72251 | Hex Lock Nut, 1/2NC | 6 |
| 20 | Z72261 | Hex Lock Nut, 5/8NC | 4 |
| 21 | Z74112 | Set Screw, 1/4NF x 1/4" | 6 |
| 22 | Z74121 | Set Screw, 5/16NC x 3/8" | 4 |
| 23 | Z76232 | Carriage Bolt, 3/8NC x 1-1/4" | 2 |
| 24 | Z76233 | Carriage Bolt, 3/8NC x 3/4" | 2 |
| 25 | Z76239 | Carriage Bolt, 3/8NC x 1-1/2" Extra Short Neck | 4 |
| 26 | Z76251 | Carriage Bolt, 1/2NC x 1-1/2" | 2 |
| 27 | Z76252 | Carriage Bolt, 1/2NC x 1" | 4 |
| 28 | Z76254 | Carriage Bolt, 1/2NC x 5-1/2" Full Threads | 2 |
| 29 | Z78301 | Machine Screw, 1/4NC x 3/4" | 3 |
| 30 | Z91513 | Trailer Jack, Top Wind x 2000lbs | 1 |
| 31 | Z96503 | Manual Tube, 3-1/2" Short | 1 |

Main Frame and Box



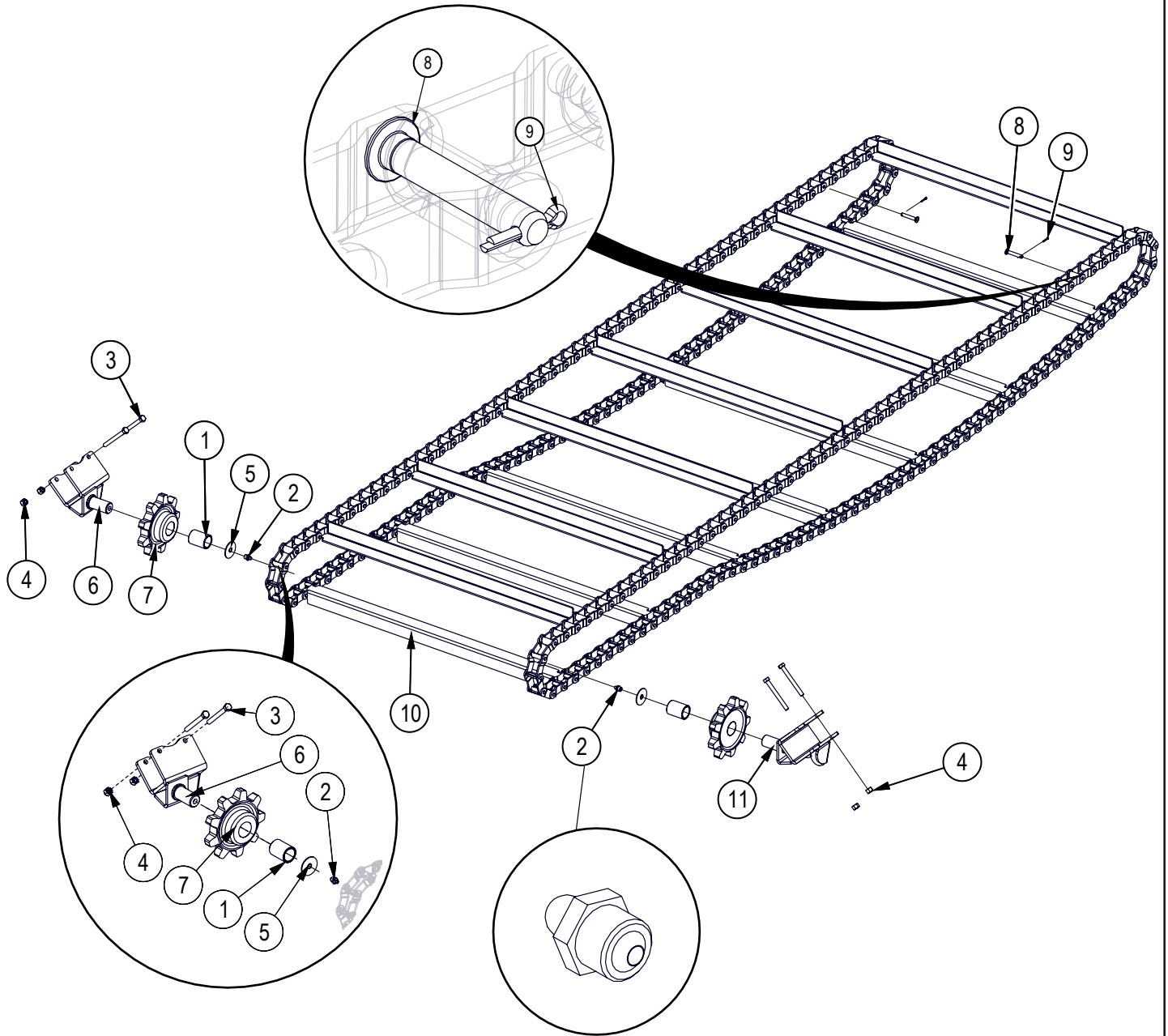
| Item No. | Part No. | Description | Qty |
|----------|----------|---------------------------------|-----|
| 1 | 7013A301 | Assy, Box Panel PTO | 1 |
| 2 | 7013W301 | MX50 Main Frame | 1 |
| 3 | 7013W317 | Crossbar | 1 |
| 4 | 7013S305 | Floor Board, Center | 4 |
| 5 | 7013S306 | Floor Board, Right End | 1 |
| 6 | 7013S307 | Floor Board, Left End | 1 |
| 7 | Z72521 | Serrated Flange Locknut, 5/16NC | 14 |
| 8 | Z72531 | Serrated Flange Locknut, 3/8NC | 30 |
| 9 | Z72551 | Serrated Flange Locknut, 1/2NC | 4 |
| 10 | Z76221 | Carriage Bolt, 5/16NC x 3/4" | 6 |
| 11 | Z76222 | Carriage Bolt, 5/16NC x 5/8" | 8 |
| 12 | Z76252 | Carriage Bolt, 1/2NC x 1" | 4 |
| 13 | Z76631 | Plow Bolt, 3/8NC x 1-1/2" | 30 |

Box Panel PTO Assembly



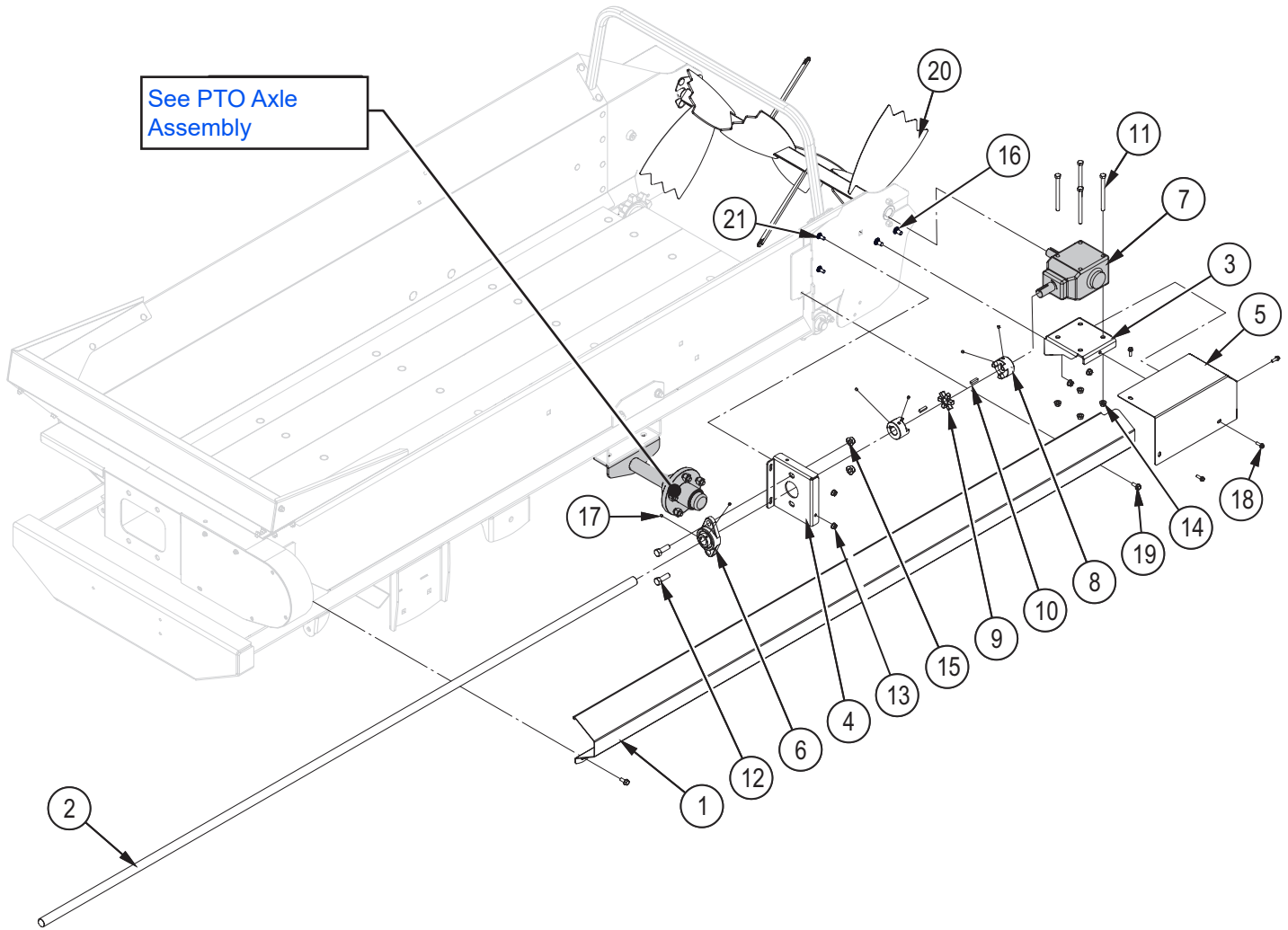
| Item No. | Part No. | Description | Qty |
|----------|----------|---------------------------------|-----|
| 1 | 7013L305 | Panel, Side LH | 1 |
| 2 | 7013L306 | Panel, Side RH | 1 |
| 3 | 7013L340 | Splash Guard, Top | 1 |
| 4 | 7013L361 | Clamp, Floor Seal | 1 |
| 5 | 7013S308 | Floor Seal | 1 |
| 6 | 7013W303 | Box Front, PTO | 1 |
| 7 | 7015L542 | Splash Guard, LH | 1 |
| 8 | 7015L543 | Splash Guard, RH | 1 |
| 9 | Z72521 | Serrated Flange Locknut, 5/16NC | 27 |
| 10 | Z76221 | Carriage Bolt, 5/16NC x 3/4" | 5 |
| 11 | Z76222 | Carriage Bolt, 5/16NC x 5/8" | 22 |

Apron Chain and Front Sprockets



| Item No. | Part No. | Description | Qty |
|----------|----------|---|-----|
| 1 | Z26301 | Bronze Bushing, 1" ID x 1-1/4" OD x 1-5/8" Long | 2 |
| 2 | Z29201 | Grease Fitting, MP02 | 2 |
| 3 | Z71230 | Hex Bolt, 5/16NC x 3" | 4 |
| 4 | Z72221 | Hex Lock Nut, 5/16NC | 4 |
| 5 | Z73232 | Extra Wide Washer, 3/8" | 2 |
| 6 | 7015W507 | Bracket, Front Sprocket RH | 1 |
| 7 | 7015M519 | Sprocket, Apron Chain Front | 2 |
| 8 | 7011M302 | Pin, 662 Chain Clevis | 2 |
| 9 | Z12304 | Cotter Pin, 3/32" x 1/2" | 2 |
| 10 | 7012S252 | Chain, Apron 662, 93 Links | 1 |
| 11 | 7015W508 | Beater Bar, PTO Drive | 1 |

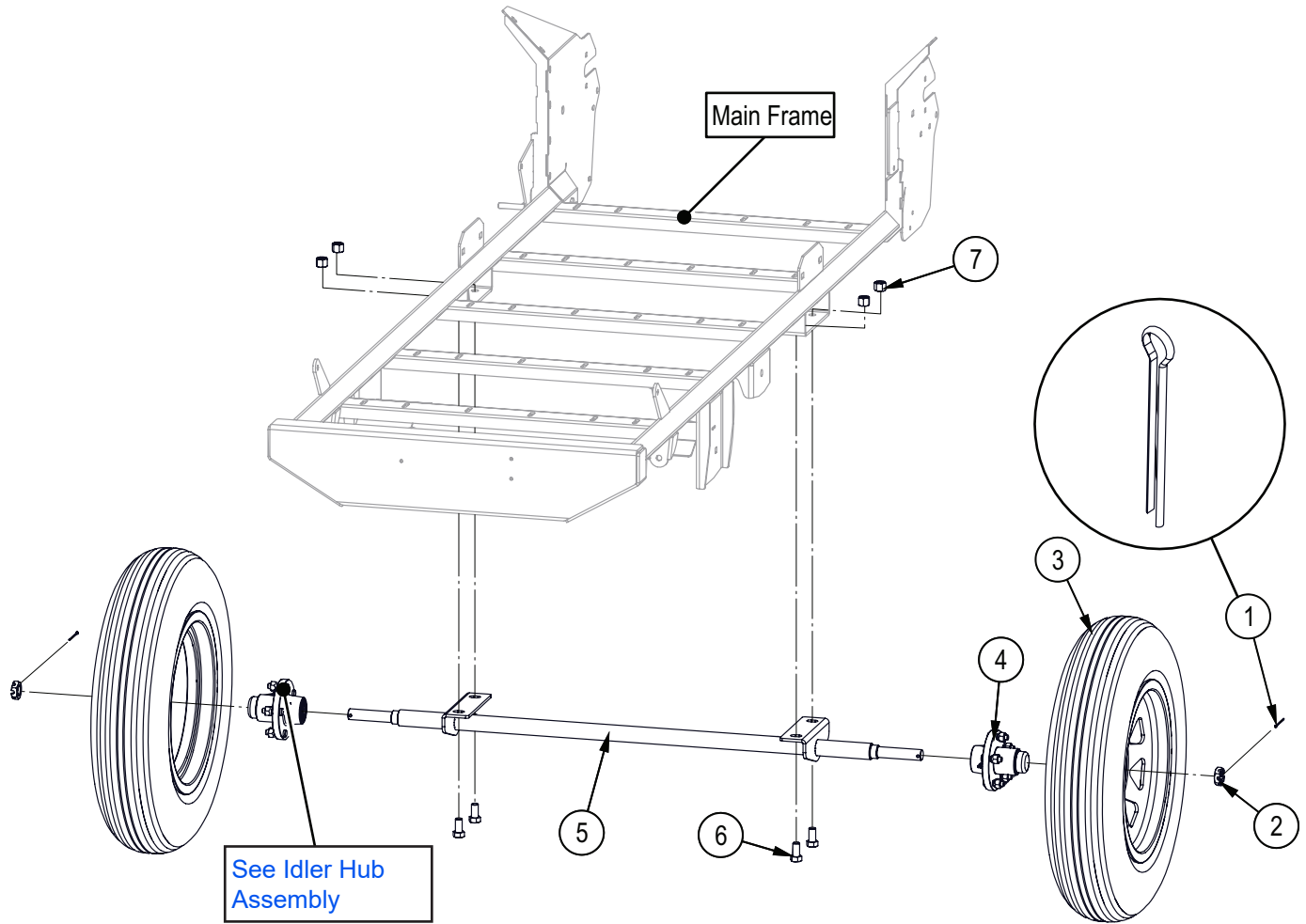
PTO Driveline



| Item No. | Part No. | Description | Qty |
|----------|----------|------------------------------------|-----|
| 1 | 7013L333 | Shield, PTO Drive Shaft | 1 |
| 2 | 7013M315 | Shaft, PTO Drive | 1 |
| 3 | 7015L525 | Bracket, Gear Box | 1 |
| 4 | 7015L536 | Bracket, PTO Drive Shaft | 1 |
| 5 | 7015W506 | Guard, Gearbox | 1 |
| 6 | Z25101 | 2-Bolt Flange Bearing, UCFL205-16 | 1 |
| 7 | Z43101 | Right Angle Gearbox, 15HP x 540RPM | 1 |
| 8 | Z46404 | Shaft Coupling, L095 x 1" | 2 |
| 9 | Z46405 | Spider, L095 | 1 |
| 10 | Z46533 | Key, 1/4" x 1/4" x 1" | 2 |
| 11 | Z71345 | Hex Bolt, 3/8NC x 4-1/2" | 4 |

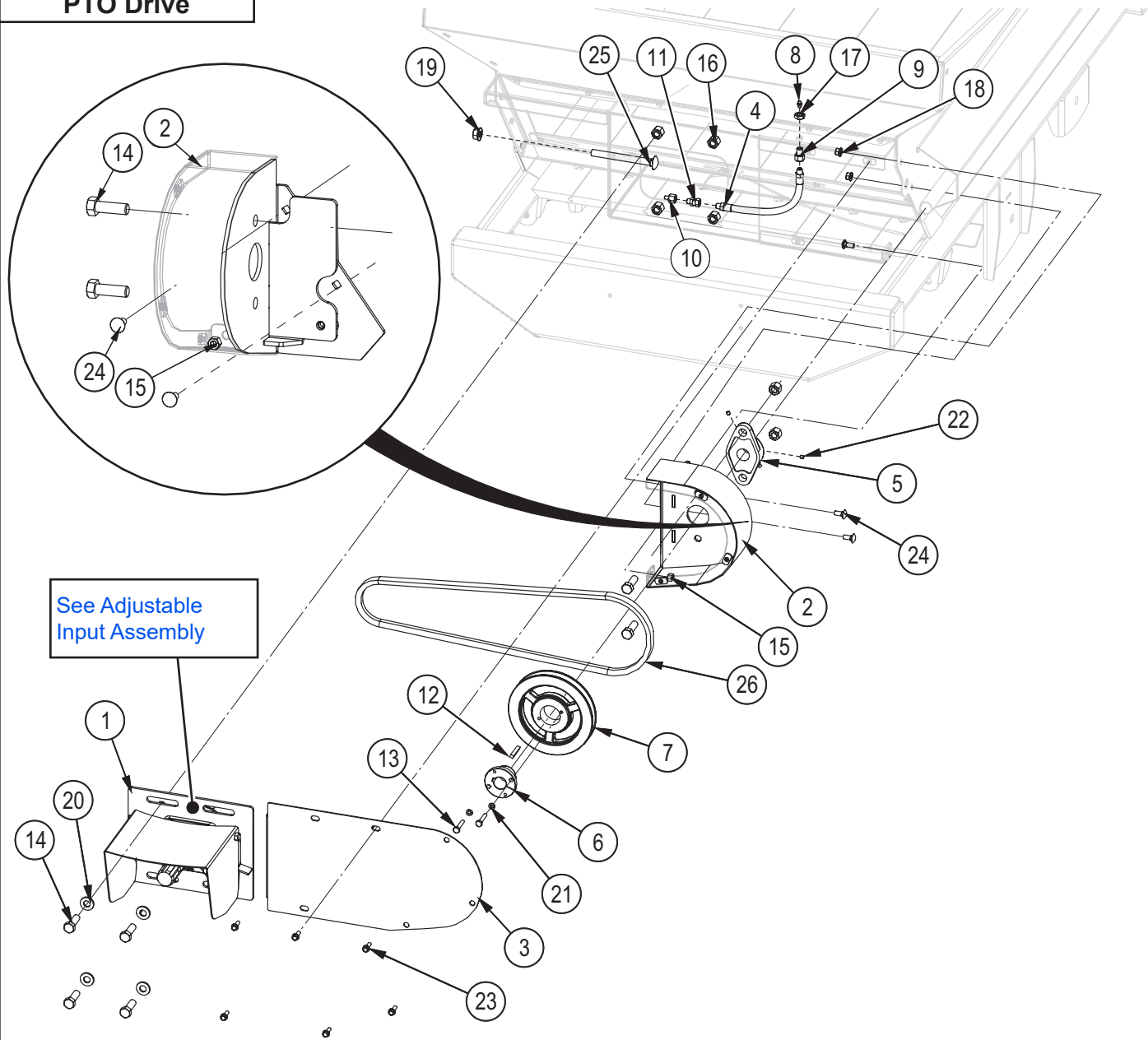
| Item No. | Part No. | Description | Qty |
|----------|----------|---------------------------------|-----|
| 12 | Z71515 | Hex Bolt, 1/2NC x 1-1/2" | 2 |
| 13 | Z72521 | Serrated Flange Locknut, 5/16NC | 2 |
| 14 | Z72531 | Serrated Flange Locknut, 3/8NC | 6 |
| 15 | Z72551 | Serrated Flange Locknut, 1/2NC | 2 |
| 16 | Z76233 | Carriage Bolt, 3/8NC x 3/4" | 2 |
| 17 | Z74112 | Set Screw, 1/4NF x 1/4" | 6 |
| 18 | Z76111 | Flange Bolt, 1/4NC x 3/4" | 4 |
| 19 | Z76121 | Flange Bolt, 5/16NC x 3/4" | 2 |
| 20 | 7013W316 | Beater Bar, PTO Drive | 1 |
| 21 | Z76221 | Carriage Bolt, 5/16NC x 3/4" | 2 |

PTO Axle Assembly



| Item No. | Part No. | Description | Qty |
|----------|----------|---|-----|
| 1 | Z12312 | Cotter Pin, 1/8" x 2-1/2" | 2 |
| 2 | Z72691 | Castle Nut, 1NF x 9/16" Thick | 2 |
| 3 | Z91304 | 6.70-15SL I-1(TL) 6PR Farm Specialist 5on4.5" | 2 |
| 4 | Z91204 | Idler Hub Assy, 1100lbs x 5on4-1/2" | 2 |
| 5 | 7013W309 | Solid Axle, 1" Spindle | 1 |
| 6 | Z71612 | Hex Bolt, 5/8NC x 1-1/4" | 4 |
| 7 | Z72261 | Hex Lock Nut, 5/8NC | 4 |

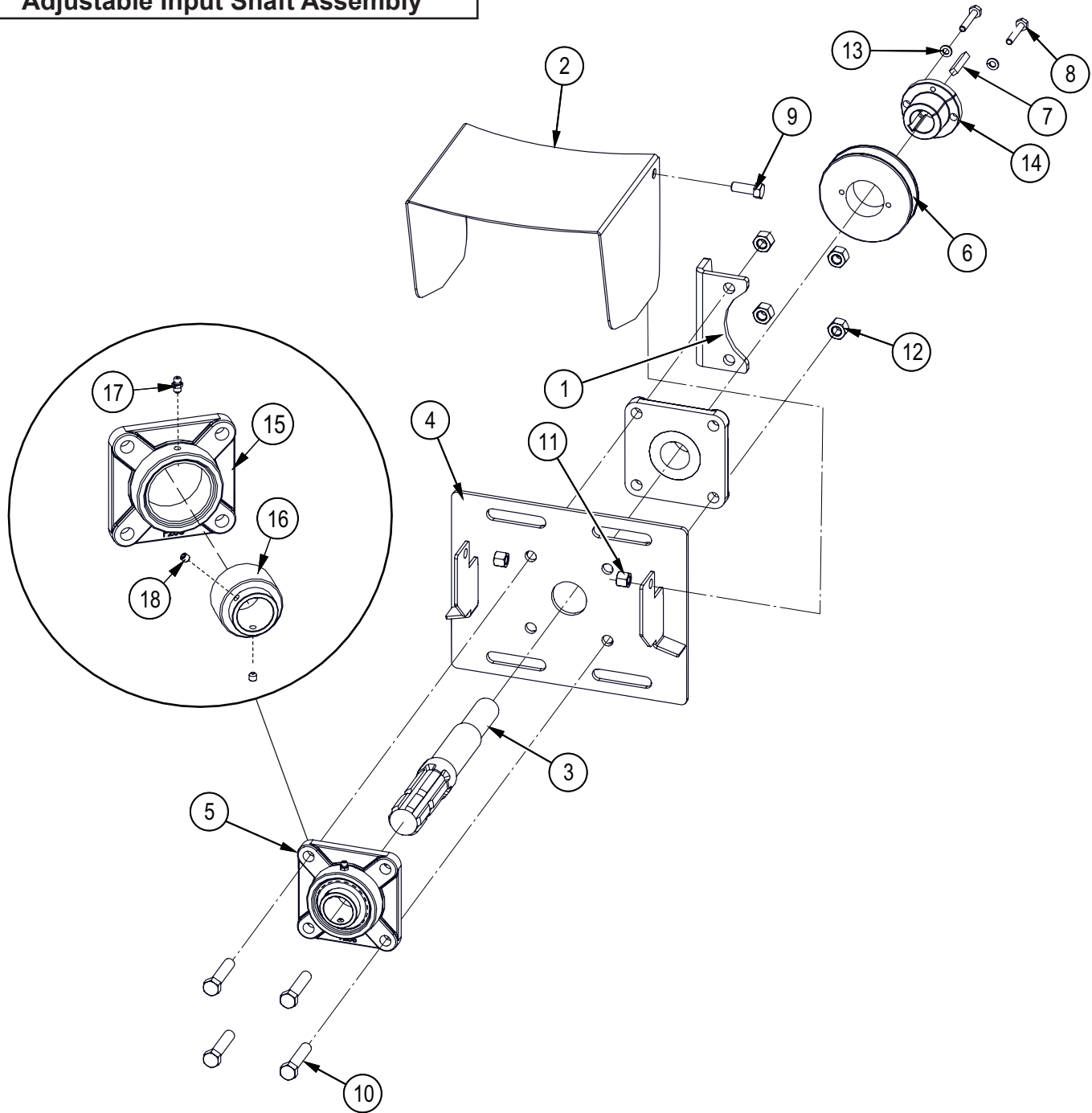
PTO Drive



| Item No. | Part No. | Description | Qty |
|----------|----------|-------------------------------------|-----|
| 1 | 7013A308 | Assy, Adjustable Input Shaft | 1 |
| 2 | 7013W305 | Front Pulley Shield | 1 |
| 3 | 7013L332 | Shield, PTO Belt | 1 |
| 4 | 7013F001 | 1/4" Grease Whip, MP02 x MP02 x 10" | 1 |
| 5 | Z25101 | 2-Bolt Flange Bearing, UCFL205-16 | 1 |
| 6 | Z41510 | Hub, L x 1" | 1 |
| 7 | Z41610 | Sheave, MBL67 x L | 1 |
| 8 | Z29202 | Grease Fitting, 1/4NF | 1 |
| 9 | Z29206 | Bulkhead, FP x FP 0402 x 7/16NC | 1 |
| 10 | Z29303 | Grease Fitting, FP02 x 1/4NF | 1 |
| 11 | Z29311 | Grease Fitting, MP x FPX 0202 | 1 |
| 12 | Z46532 | Key, 1/4" x 1/4" x 1-1/2" | 1 |
| 13 | Z71113 | Hex Bolt, 1/4NC x 1-3/8" | 2 |
| 14 | Z71515 | Hex Bolt, 1/2NC x 1-1/2" | 6 |

| Item No. | Part No. | Description | Qty |
|----------|----------|--|-----|
| 15 | Z72221 | Hex Lock Nut, 5/16NC | 1 |
| 16 | Z72251 | Hex Lock Nut, 1/2NC | 6 |
| 17 | Z72341 | Jam Nut, 7/16NC | 1 |
| 18 | Z72521 | Serrated Flange Locknut, 5/16NC | 2 |
| 19 | Z72551 | Serrated Flange Locknut, 1/2NC | 1 |
| 20 | Z73151 | SAE Washer, 1/2" | 4 |
| 21 | Z73311 | Split Lock Washer, 1/4" | 2 |
| 22 | Z74112 | Set Screw, 1/4NF x 1/4" | 2 |
| 23 | Z76111 | Flange Bolt, 1/4NC x 3/4" | 6 |
| 24 | Z76221 | Carriage Bolt, 5/16NC x 3/4" | 3 |
| 25 | Z76253 | Carriage Bolt, 1/2NC x 5" Full Threads | 1 |
| 26 | Z41154 | Single "B" Belt x 51" | 1 |

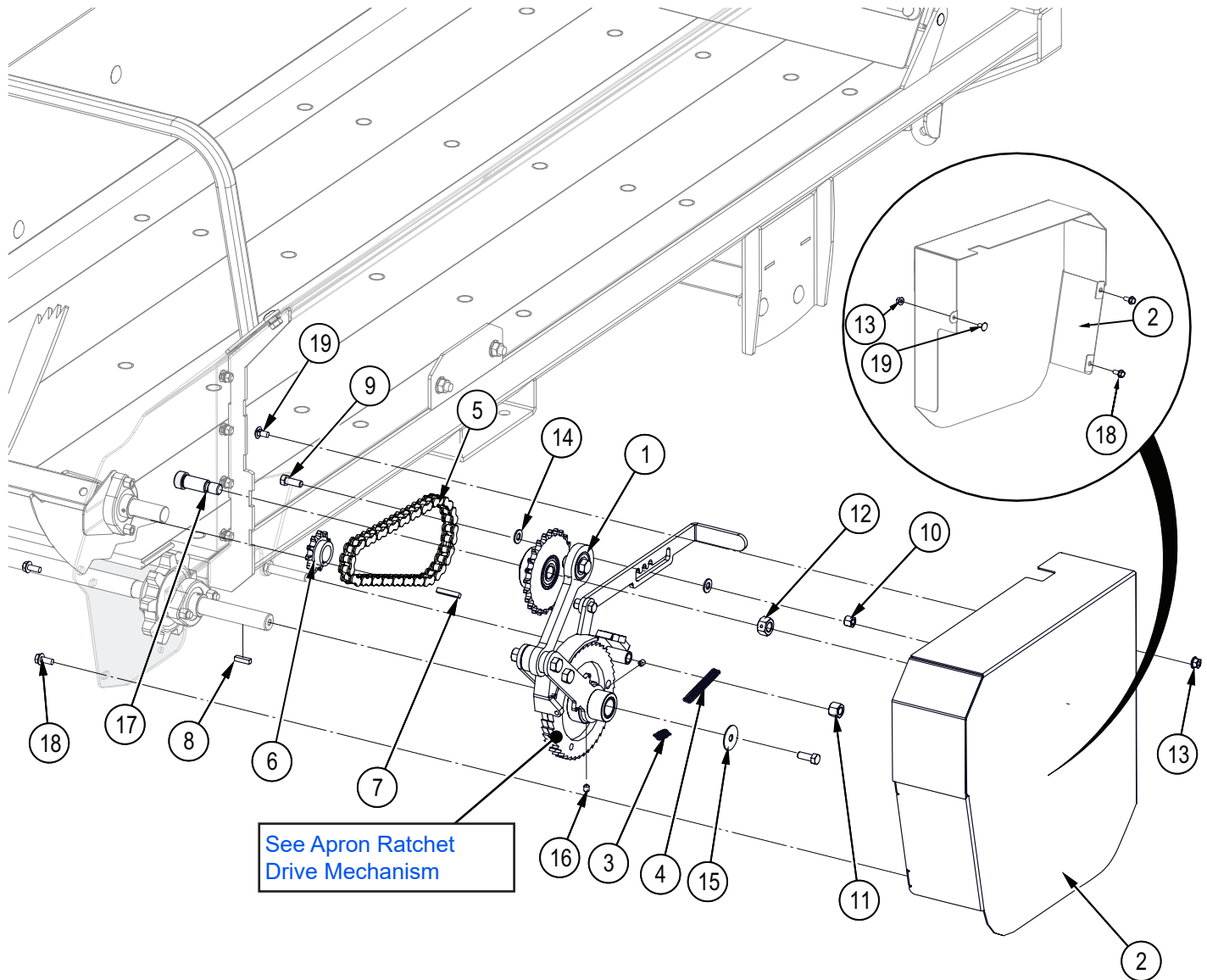
Adjustable Input Shaft Assembly



| Item No. | Part No. | Description | Qty |
|----------|----------|----------------------------------|-----|
| 1 | 7015L539 | Bracket, Belt Tightener | 1 |
| 2 | 7015L541 | PTO Cover | 1 |
| 3 | 7015M516 | PTO Spline | 1 |
| 4 | 7015W504 | PTO Spline Plate | 1 |
| 5 | Z25202 | 4-Bolt Flange Bearing, UCF206-20 | 2 |
| 6 | Z41601 | Sheave, MBL39 x L | 1 |
| 7 | Z46532 | Key, 1/4" x 1/4" x 1-1/2" | 1 |
| 8 | Z71115 | Hex Bolt, 1/4NC x 1-1/2" | 2 |
| 9 | Z71310 | Hex Bolt, 3/8NC x 1" | 2 |
| 10 | Z71420 | Hex Bolt, 7/16NC x 2" | 4 |

| Item No. | Part No. | Description | Qty |
|----------|--------------|-------------------------------------|-----|
| 11 | Z72231 | Hex Lock Nut, 3/8NC | 2 |
| 12 | Z72241 | Hex Lock Nut, 7/16NC | 4 |
| 13 | Z73311 | Split Lock Washer, 1/4" | 2 |
| 14 | Z41510 | Hub, L x 1" | 1 |
| 15 | F206-Casting | F206-Casting | 2 |
| 16 | Z25202-1 | Bearing Insert, UC206-20 for Z25202 | 2 |
| 17 | Z29202 | Grease Fitting, 1/4NF | 2 |
| 18 | Z74112 | Set Screw, 1/4NF x 1/4" | 4 |

Apron Chain Ratchet

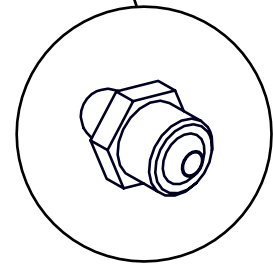
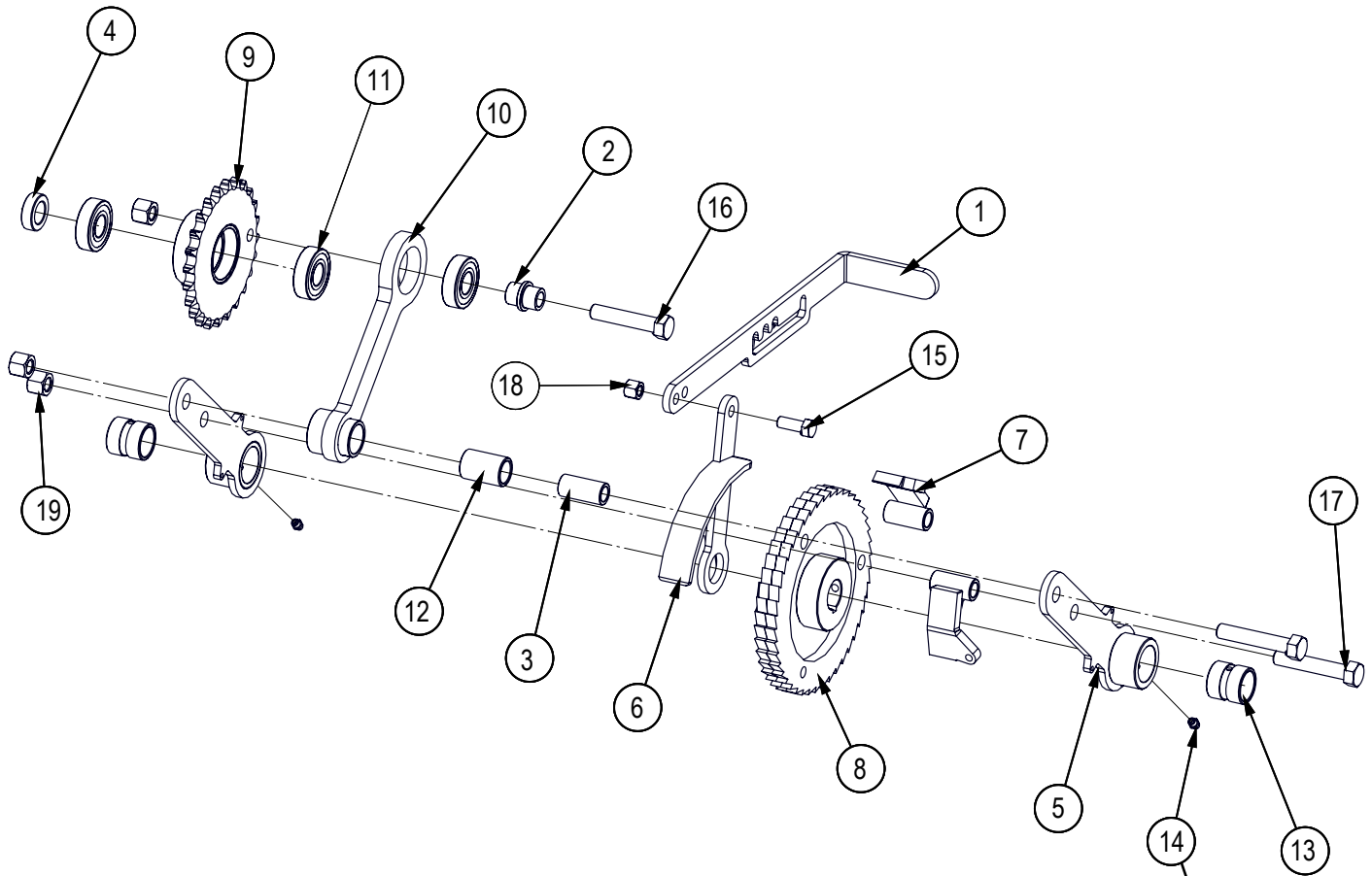


See Apron Ratchet Drive Mechanism

| Item No. | Part No. | Description | Qty |
|----------|----------|--------------------------------------|-----|
| 1 | 7015A507 | Apron Ratchet Drive Mechanism | 1 |
| 2 | 7015W518 | Shield, Apron Drive | 1 |
| 3 | Z31201 | Ext Spring, 1/2" OD x 1-1/2" x .048" | 1 |
| 4 | Z31304 | Ext Spring, 1/2" OD x 2-1/2" x .063" | 1 |
| 5 | Z42141 | Roller Chain, #50 x 22 | 1 |
| 6 | Z42803 | Sprocket, #50 x 11 x 1" | 1 |
| 7 | Z46532 | Key, 1/4" x 1/4" x 1-1/2" | 1 |
| 8 | Z46533 | Key, 1/4" x 1/4" x 1" | 1 |
| 9 | Z71310 | Hex Bolt, 3/8NC x 1" | 2 |
| 10 | Z72231 | Hex Lock Nut, 3/8NC | 1 |

| Item No. | Part No. | Description | Qty |
|----------|----------|---------------------------------|-----|
| 11 | Z72251 | Hex Lock Nut, 1/2NC | 1 |
| 12 | Z72263 | Hex CTR-lock Nut, 5/8NC | 1 |
| 13 | Z72521 | Serrated Flange Locknut, 5/16NC | 1 |
| 14 | Z73131 | SAE Washer, 3/8" | 2 |
| 15 | Z73232 | Extra Wide Washer, 3/8" | 1 |
| 16 | Z74121 | Set Screw, 5/16NC x 3/8" | 2 |
| 17 | Z75571 | Shoulder Bolt, 3/4" x 1-1/2" | 1 |
| 18 | Z76121 | Flange Bolt, 5/16NC x 3/4" | 2 |
| 19 | Z76222 | Carriage Bolt, 5/16NC x 5/8" | 1 |

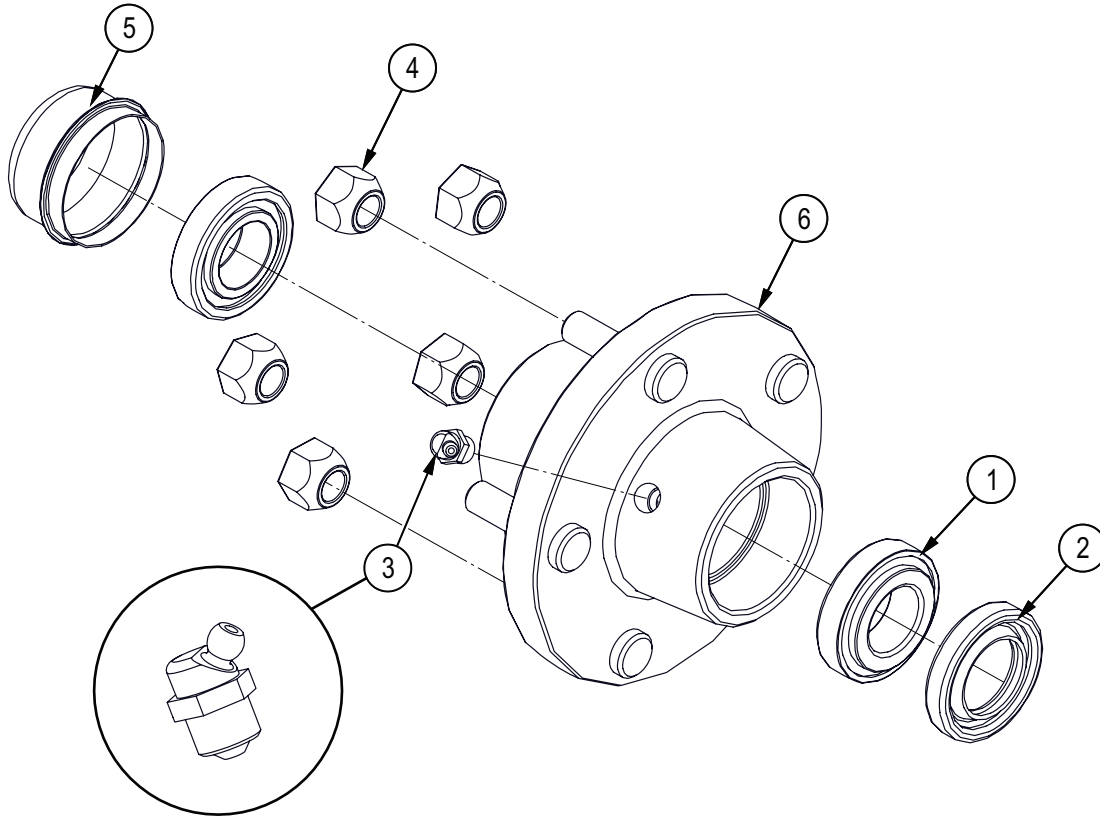
Apron Ratchet Drive Mechanism



| Item No. | Part No. | Description | Qty |
|----------|----------|--|-----|
| 1 | 7015L524 | Handle, Ratchet Speed Set | 1 |
| 2 | 7015M512 | Flange Bushing | 1 |
| 3 | 7015M514 | Bushing, Link Arm Bolt | 1 |
| 4 | 7015M517 | Bolt Spacer | 1 |
| 5 | 7015W510 | Arm, Apron Ratchet Drive | 2 |
| 6 | 7015W511 | Slide, Speed Adjuster | 1 |
| 7 | 7015W512 | Dog, Ratchet | 2 |
| 8 | 7015W513 | Ratchet, Apron Drive | 1 |
| 9 | 7015W514 | #50 24Tooth Sprocket Hub | 1 |
| 10 | 7015W515 | Arm, Ratchet Drive Link | 1 |
| 11 | Z21204 | Ball Bearing, 1635-2RS x Self Aligning | 3 |
| 12 | Z26201 | Bronze Bushing, 3/4" ID x 1" OD x 1-1/2" Long | 1 |
| 13 | Z26303 | Bronze Bushing, 1" ID x 1-1/4" OD x 1-1/4" Long Grooved OD | 2 |
| 14 | Z29202 | Grease Fitting, 1/4NF | 2 |
| 15 | Z71310 | Hex Bolt, 3/8NC x 1" | 1 |
| 16 | Z71525 | Hex Bolt, 1/2NC x 2-1/2" | 1 |
| 17 | Z71527 | Hex Bolt, 1/2NC x 2-3/4" | 2 |
| 18 | Z72231 | Hex Lock Nut, 3/8NC | 1 |
| 19 | Z72251 | Hex Lock Nut, 1/2NC | 3 |

ECN0394

Idler Hub Assembly

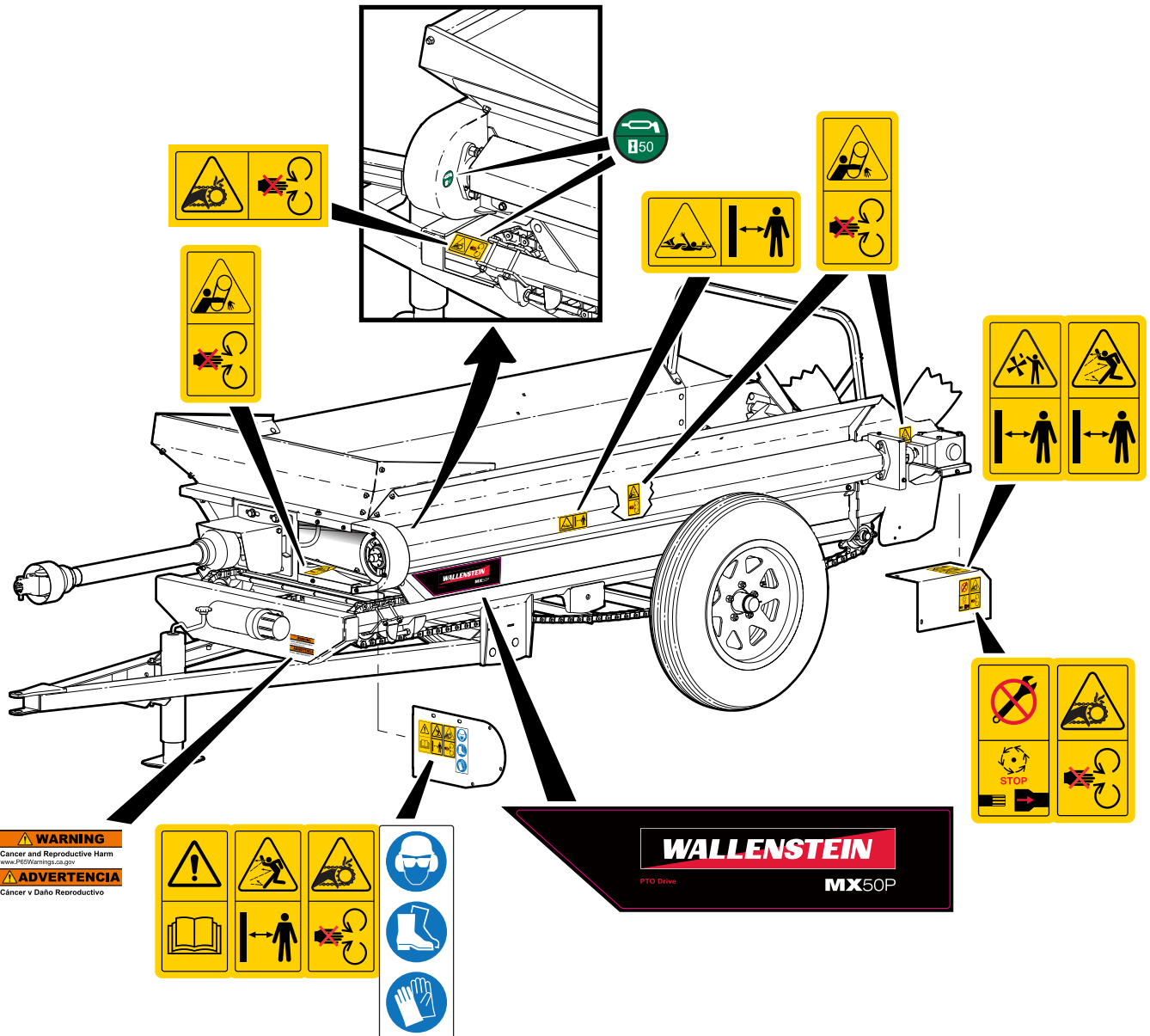


| Item No. | Part No. | Description | Qty |
|----------|----------|-------------------------------|-----|
| 1 | Z23201 | Roller Bearing, L44643 L44610 | 2 |
| 2 | Z28301 | Double Lip Seal, 1-1/4" | 1 |
| 3 | Z29204 | Elbow 45 Grease Fitting, MP02 | 1 |
| 4 | Z72931 | Lug Nut, 1/2NF | 5 |
| 5 | Z91801 | Dust Cap, 1.98 Bore | 1 |
| 6 | Z91203 | Hub, 1100lbs x 5on4-1/2" | 1 |

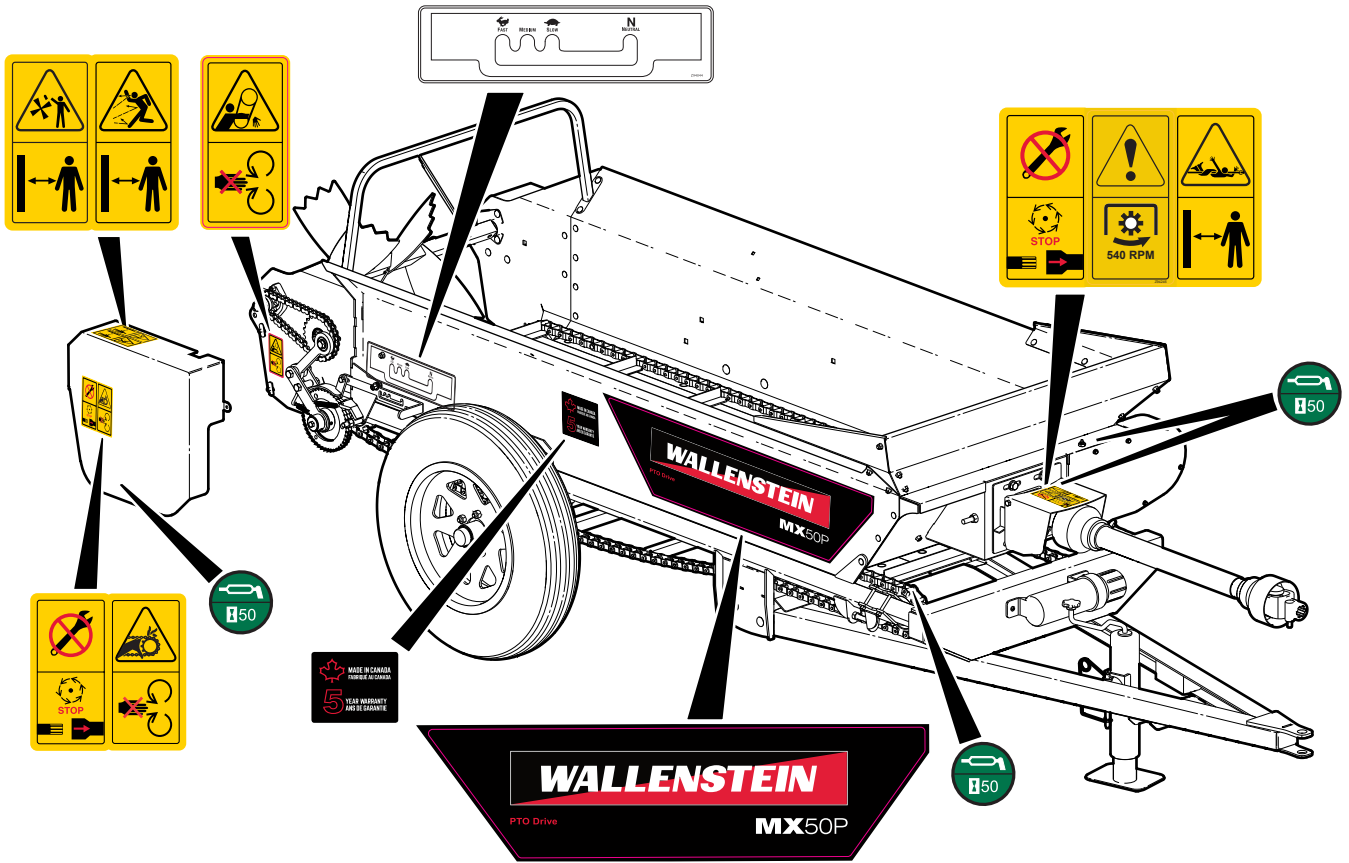
Decal Layout

IMPORTANT! If parts are replaced that have safety signs on them, new signs must be applied. Safety signs must always be replaced if they become damaged, are removed, or become illegible.

Safety signs are included in the product decal kit available from your authorized dealer. Decals are not available separately.



Decal Layout



Both Sides


Common Bolt Torque Values

Checking Bolt Torque

The tables shown give correct torque values for various bolts and capscrews. Tighten all bolts to the torque values specified in the table, unless indicated otherwise. Check tightness of bolts periodically.

IMPORTANT! If replacing hardware, use fasteners of the same grade.

IMPORTANT! Torque figures indicated in the table are for non-greased or non-oiled threads. Do not grease or oil threads unless indicated otherwise. When using a thread locker, increase torque values by 5%.

 **NOTE:** Bolt grades are identified by their head markings.

Imperial Bolt Torque Specifications

| Bolt Diameter | Torque Value | | | | | |
|---------------|--------------|-----|-----------|-----|-----------|------|
| | SAE Gr. 2 | | SAE Gr. 5 | | SAE Gr. 8 | |
| | lbf•ft | N•m | lbf•ft | N•m | lbf•ft | N•m |
| 1/4" | 6 | 8 | 9 | 12 | 12 | 17 |
| 5/16" | 10 | 13 | 19 | 25 | 27 | 36 |
| 3/8" | 20 | 27 | 33 | 45 | 45 | 63 |
| 7/16" | 30 | 41 | 53 | 72 | 75 | 100 |
| 1/2" | 45 | 61 | 80 | 110 | 115 | 155 |
| 9/16" | 60 | 95 | 115 | 155 | 165 | 220 |
| 5/8" | 95 | 128 | 160 | 215 | 220 | 305 |
| 3/4" | 165 | 225 | 290 | 390 | 400 | 540 |
| 7/8" | 170 | 230 | 420 | 570 | 650 | 880 |
| 1" | 225 | 345 | 630 | 850 | 970 | 1320 |



SAE Gr. 2



SAE Gr. 5



SAE Gr. 8

Metric Bolt Torque Specifications

| Bolt Diameter | Torque Value | | | |
|---------------|--------------|-------|----------|-------|
| | Gr. 8.8 | | Gr. 10.9 | |
| | lbf•ft | N•m | lbf•ft | N•m |
| M3 | 0.4 | 0.5 | 1.3 | 1.8 |
| M4 | 2.2 | 3 | 3.3 | 4.5 |
| M6 | 7 | 10 | 11 | 15 |
| M8 | 18 | 25 | 26 | 35 |
| M10 | 37 | 50 | 52 | 70 |
| M12 | 66 | 90 | 92 | 125 |
| M14 | 83 | 112 | 116 | 158 |
| M16 | 166 | 225 | 229 | 310 |
| M20 | 321 | 435 | 450 | 610 |
| M30 | 1,103 | 1 495 | 1,550 | 2 100 |



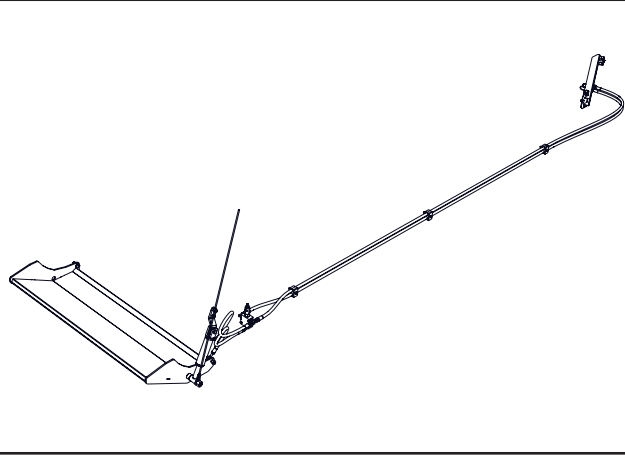
8.8



10.9

Accessories

Call your dealer for pricing and availability

**M7610 Fines Pan**

The Fines Pan provides a more consistent spread of manure by causing all manure to be discharged by the beater paddles.


Kit consists of fines pan and hardware.

Must be dealer installed.

Wheel Lug Torque Values

It is extremely important safety procedure to apply and maintain proper wheel mounting torque on your trailer axle. Torque wrenches are the best method to assure the proper amount of torque is being applied to a fastener.

Wheel lugs should be torqued before first road use and after each wheel removal. Check and re torque after the first 10 miles (16 km), 25 miles (40 km), and again at 50 miles (80 km). Check periodically thereafter.

 **NOTE:** *Wheel lugs must be applied and maintained at the proper torque levels to prevent loose wheels, broken studs, and possible dangerous separation of wheels from your axle.*

- Start all lugs by hand to prevent cross threading.
- Tighten lugs in sequence, per wheel lug torque sequence chart.
- The tightening of the fasteners should be done in stages. Following the recommended sequence, tighten fasteners per wheel torque requirements chart.

Wheel Lug Nut Torque

| Wheel Size | Units | 1st Stage | 2nd Stage | 3rd Stage |
|------------|---------------|------------------|------------------|--------------------|
| 8" | lbf•ft N•m | 12–20 16–26 | 30–35 39–45.5 | 45–55 58.5–71.5 |
| 12" | lbf•ft N•m | 20–25 26–32.5 | 35–40 45.5–52 | 50–60 65–78 |
| 13" | lbf•ft N•m | 20–25 26–32.5 | 35–40 45.5–52 | 50–60 65–78 |
| 14" | lbf•ft N•m | 20–25 26–32.5 | 50–60 65–78 | 90–120 117–156 |
| 15" | lbf•ft N•m | 20–25 26–32.5 | 50–60 65–78 | 90–120 117–156 |
| 16" | lbf•ft N•m | 20–25 26–32.5 | 50–60 65–78 | 90–120 117–156 |

Wheel Lug Torque Pattern

