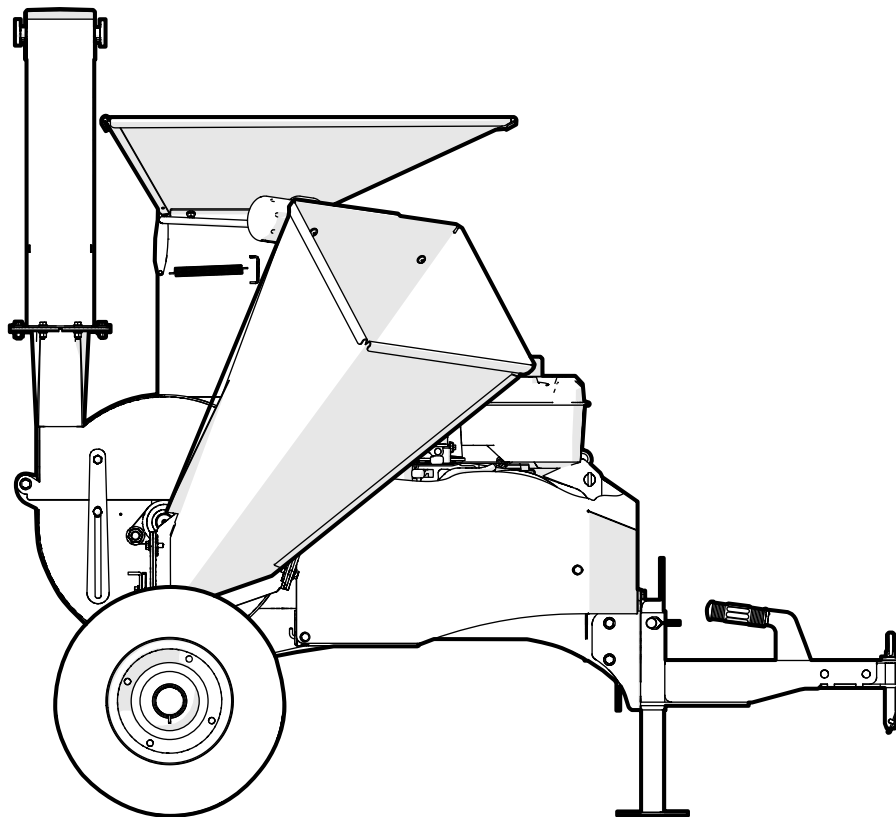


PARTS MANUAL

Serial Number 1101521 and Up

BXMT32G TRAILER CHIPPER-SHREDDER



Foreword

This Wallenstein parts manual is prepared to assist customers in ordering quality OEM replacement parts.

Regular maintenance combined with replacing old, worn or broken parts with the correct OEM parts is essential in prolonging the life of your Wallenstein product. Refer to this manual to identify replacement parts.

To order parts, contact your Wallenstein dealer or distributor. Have the product model and serial number handy.

If your dealer is no longer available, please go to WallensteinEquipment.com. At the bottom of the page, select Dealer Locator.

All information contained in this parts manual is current as per the revision date at the bottom of the page. Wallenstein reserves the right to change product specifications at any time without notice.

If your product specifications differ from those contained in this manual, contact Wallenstein for current information.

Reproduction of information in this parts manual is prohibited without prior written permission from Wallenstein Equipment Inc.

Wallenstein Equipment Inc. • © 2023

WARNING!

For safety, operation, and maintenance information, see the Operator's Manual.

Maintenance should be performed by trained personnel only.

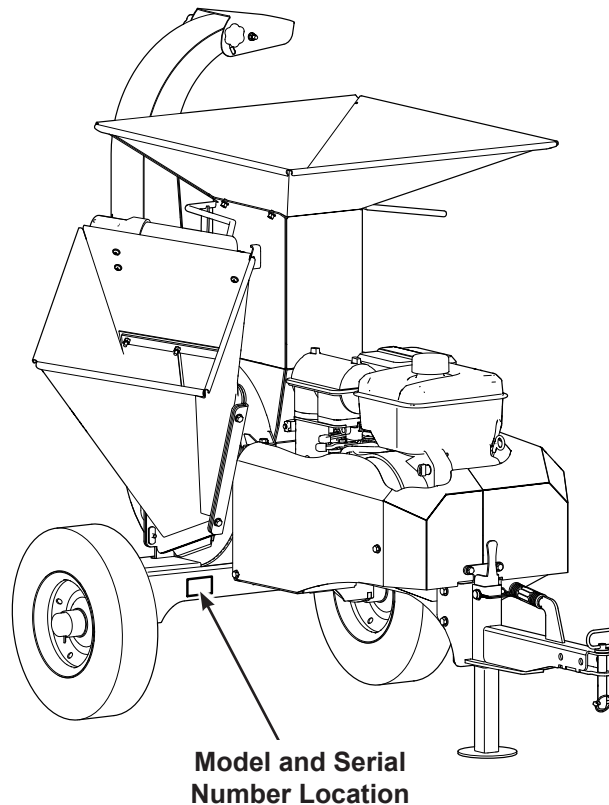
Serial Number Location

Always provide the model and serial number of your Wallenstein product when ordering parts or requesting service or other information. The serial number is on the product information plate as shown below.

Record your product information here for future reference.

Model _____

Serial Number _____

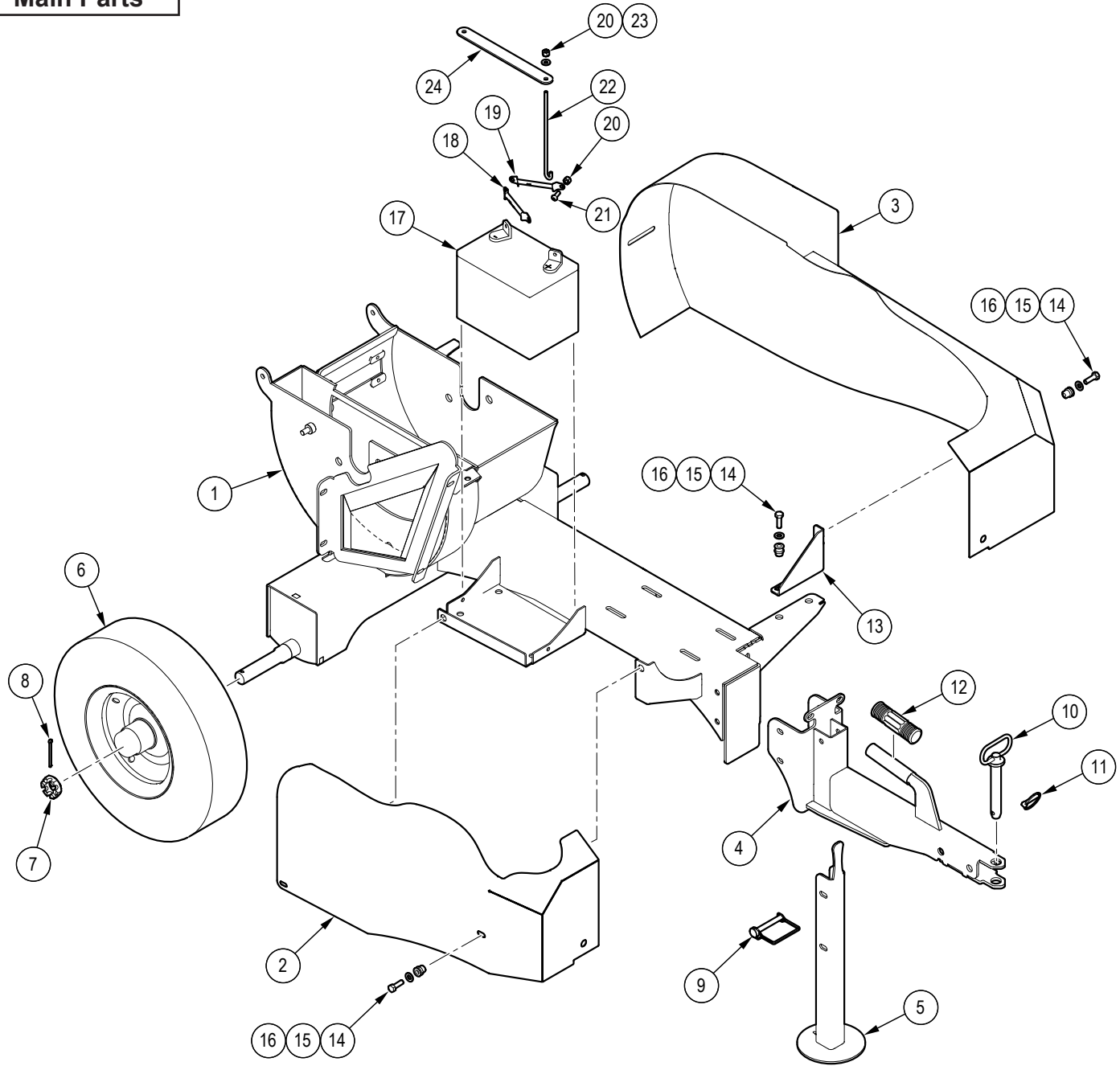


www.wallensteinequipment.com

Contents

Main Parts	4
Engine and Driveline	5
Hopper Shredder	6
Discharge Chute Assembly	7
Rotor Assembly	8
Hopper	9
Decal Layout	10
Accessories	12
Common Bolt Torque Values	13

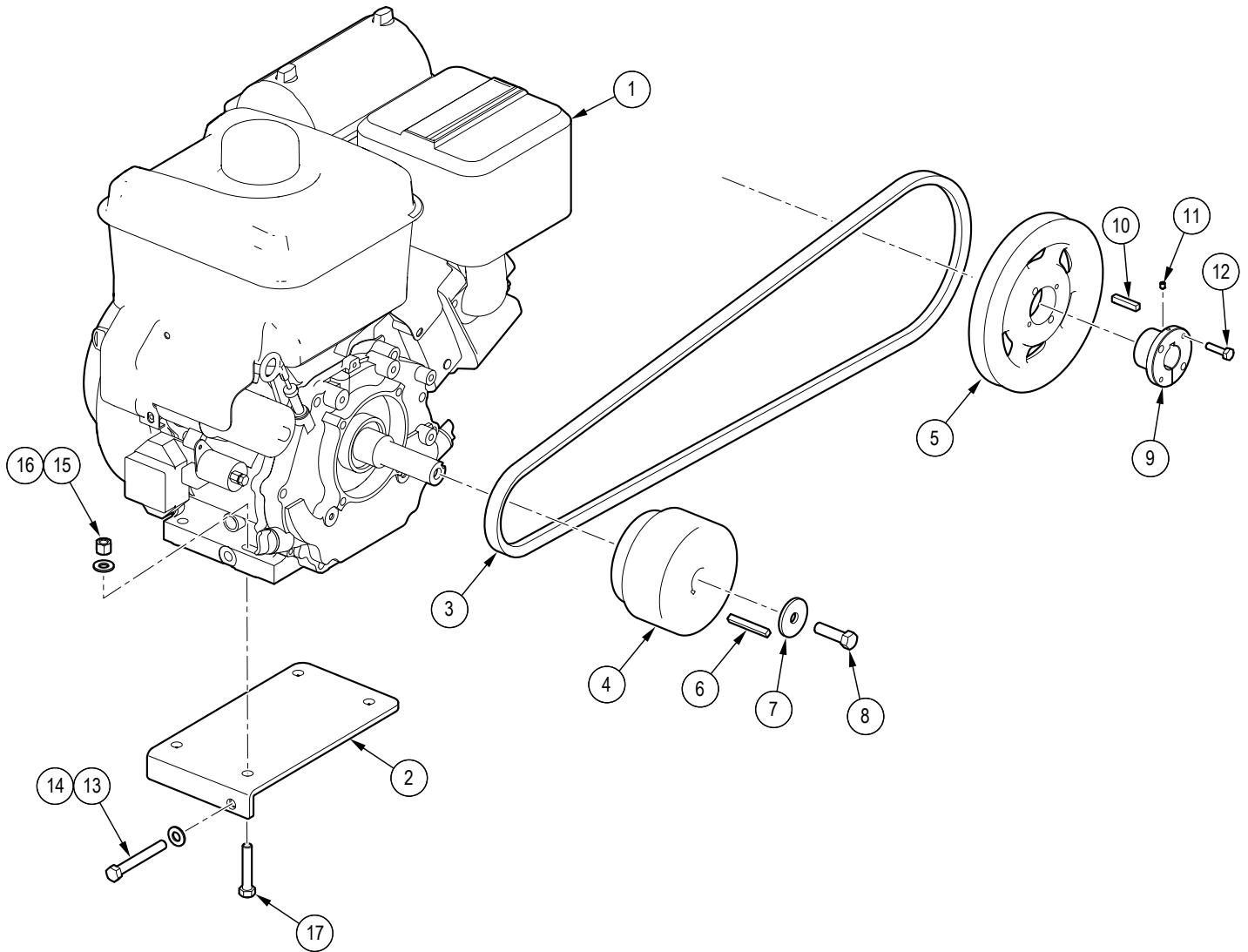
Main Parts



Item	Part No.	Description	Qty
1	1067W004	Main Base	1
2	1067W012	Weldment, Side Panel RH	1
3	1067W013	Weldment, Side Panel LH	1
4	1067W002	Tongue Weldment	1
5	1067W001	Jack Stand	1
6	Z91334	4.80-8 LRB 6PR 1" Bearing	2
7	Z72691	Castle Nut, 1NF x 9/16" Thick	2
8	Z12341	Cotter Pin, 5/32" x 2"	2
9	Z12432	Snap Lock Pin, 3/8" x 2-1/2"	1
10	Z11242	Hitch Pin, 3/4" x 4-1/4"	1
11	Z12120	Lynch Pin, 1/4"	1
12	Z19321	Handle Grip, 1"	1

Item	Part No.	Description	Qty
13	1067L033	Bracket	1
14	Z71210	Hex Bolt, 5/16NC x 1"	8
15	Z73122G8	SAE Washer, 5/16" Grade 8	8
16	Z72957	Rivet Nut, 5/16NC x 312	8
17	Z93204	Battery, 325CCA	1
18	Z93210	Battery Cable, Negative x 25"	1
19	Z93212	Battery Cable, Positive x 28"	1
20	Z72211	Hex Lock Nut, 1/4NC	4
21	Z78301	BHCS, 1/4NC x 3/4", Hex Drive	2
22	Z93202	J-Hook, 1/4" x 7"	2
23	Z73111G8	SAE Washer, 1/4" Grade 8	2
24	Z93207	Hold-Down Strap, 1" x 8-1/2"	1

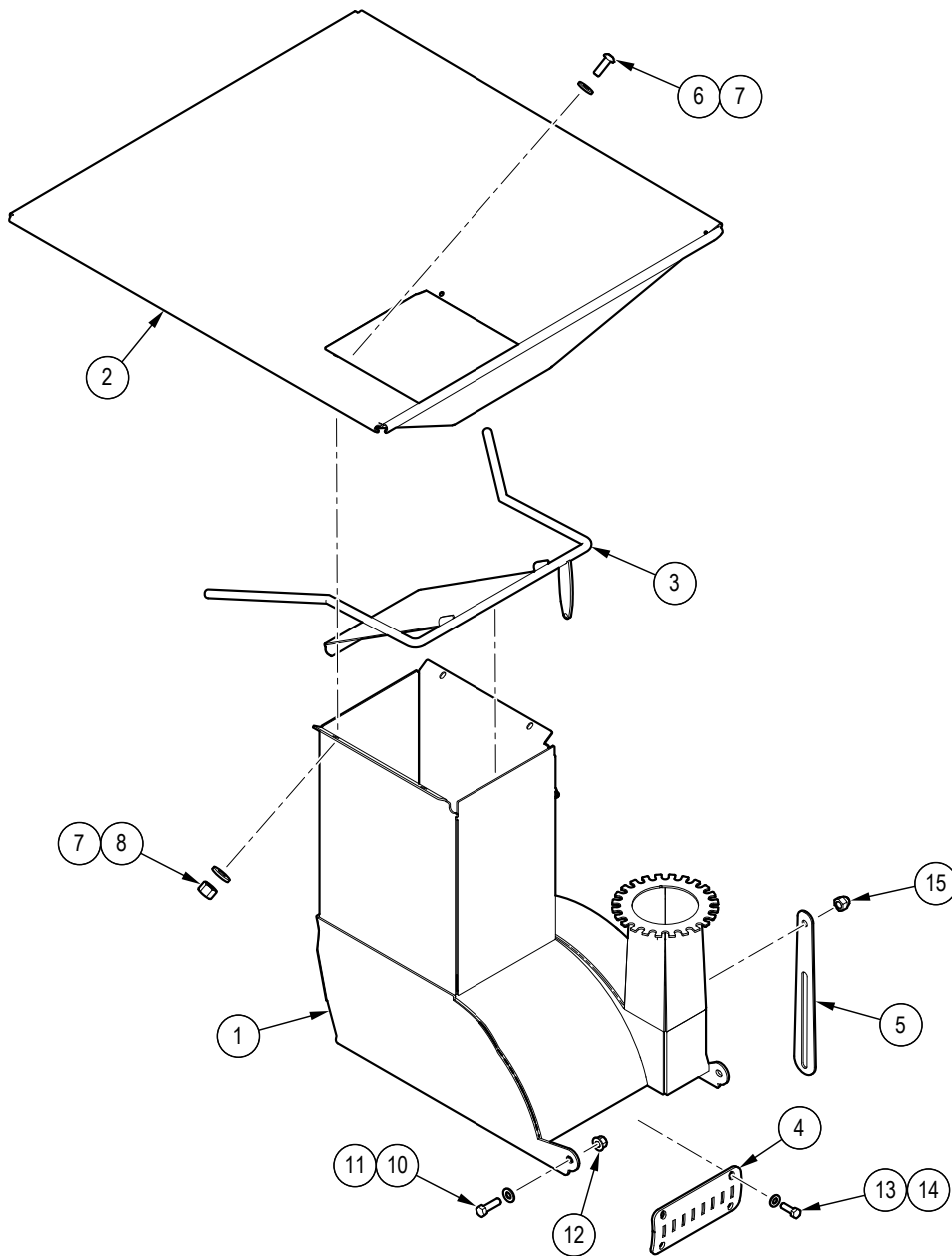
Engine and Driveline



Item	Part No.	Description	Qty
1	Z47754	Vanguard 14hp (408cc) E-Start	1
2	1067W003	Belt Tightener	1
3	Z41160	Single Belt, B64	1
4	Z41803	Centrifugal Clutch, 1B36 x 1"	1
5	Z41613	Sheave, MBL74 x L	1
6	Z46531	Key, 1/4" x 1/4" x 2"	1
7	1056L665	Clutch Washer	1
8	Z71472	Hex Bolt, 7/16NF x 1-1/2"	1

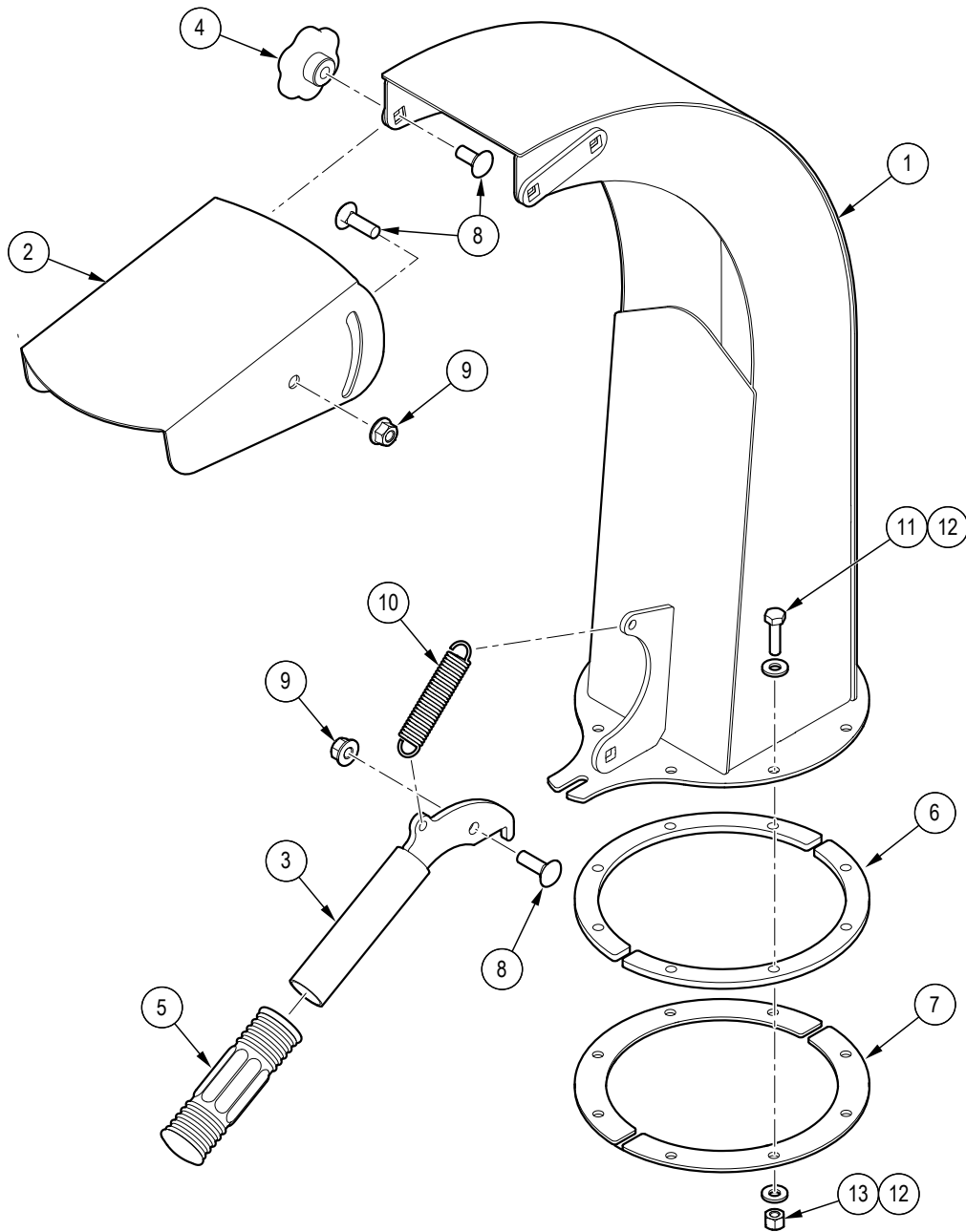
Item	Part No.	Description	Qty
9	Z41510	Hub, L x 1"	1
10	Z46534	Key, 1/4" x 1/4" x 1-1/4"	1
11	Z74102	Set Screw, #10NC x 1/4"	1
12	Z71110	Hex Bolt, 1/4NC x 1"	2
13	Z71391	Hex Bolt, 3/8NC x 3" Full Threads	1
14	Z73131G8	SAE Washer, 3/8" Grade 8	1
15	Z72231	Hex Lock Nut, 3/8NC	4
16	Z73131G8	SAE Washer, 3/8" Grade 8	4
17	Z71320	Hex Bolt, 3/8NC x 2"	4

Hopper Shredder



Item	Part No.	Description	Qty	Item	Part No.	Description	Qty
1	1067W014	Housing, Upper Rotor	1	8	Z72211	Hex Lock Nut, 1/4NC	4
2	1067W015	Hopper Shredder Top	1	10	Z71312	Hex Bolt, 3/8NC x 1-1/4"	2
3	1056W107	Shredder, Chute Flapper	1	11	Z73131G8	SAE Washer, 3/8" Grade 8	2
4	1067W008	Concave	1	12	Z72237	Hex Flange Lock Nut, 3/8NC	2
5	1056L229	Positive Stop Plate	1	13	Z71210	Hex Bolt, 5/16NC x 1"	4
6	Z78301	BHCS, 1/4NC x 3/4", Hex Drive	4	14	Z73122G8	SAE Washer, 5/16" Grade 8	4
7	Z73111G8	SAE Washer, 1/4" Grade 8	8	15	Z72911	Acorn Nut, 3/8NC	1

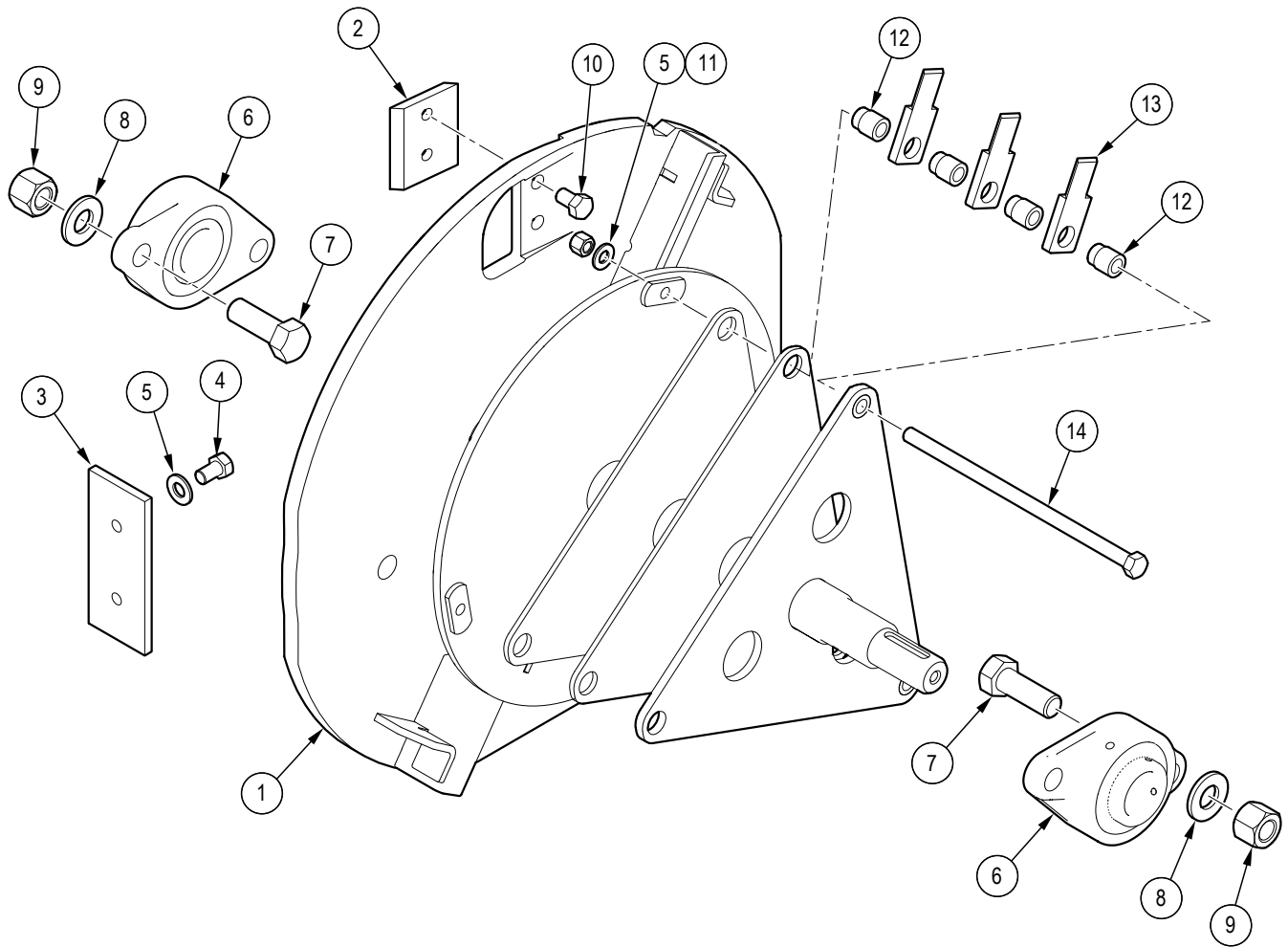
Discharge Chute Assembly



Item	Part No.	Description	Qty
1	1067W010	Discharge Chute	1
2	1056L333	Deflector, Discharge Chute	1
3	1026W108	Weldment, Discharge Latch	1
4	Z19313	Hand Knob, 5/16NC Female Stud	2
5	Z19321	Handle Grip, 1"	1
6	1067L040	Spacer Ring	2

Item	Part No.	Description	Qty
7	1067L041	Hood Capture Ring	2
8	Z76225	Carriage Bolt, 5/16NC x 1"	5
9	Z72227	Hex Flange Lock Nut, 5/16NC	3
10	Z31305	Ext Spring, 5/8" OD x 3" x 0.08"	1
11	Z71110	Hex Bolt, 1/4NC x 1"	8
12	Z73111G8	SAE Washer, 1/4" Grade 8	16
13	Z72211	Hex Lock Nut, 1/4NC	8

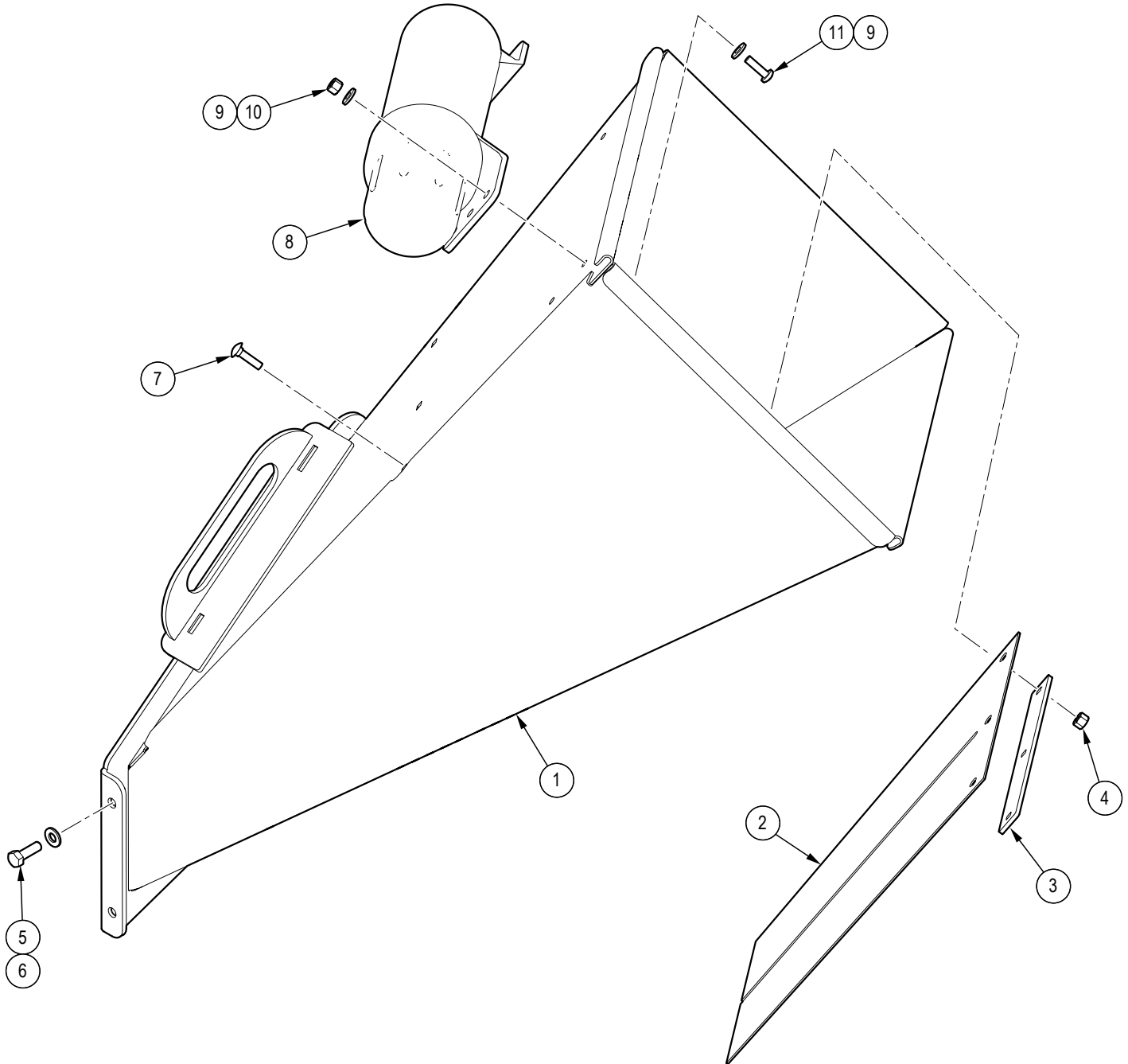
Rotor Assembly



Item	Part No.	Description	Qty
1	1067W006	Rotor	1
2	1056M303	Rotor Knife, 2-1/2" x 1/4"	2
3	1056M304	Ledger Knife, 4-3/4" x 1/4"	1
4	Z71372G8	Hex Bolt, 3/8NF x 5/8" G8	2
5	Z73131G8	SAE Washer, 3/8" Grade 8	5
6	Z25103	2-Bolt Flange Bearing	2

Item	Part No.	Description	Qty
7	Z71617	Hex Bolt, 5/8NC x 1-3/4"	4
8	Z73161G8	SAE Washer, 5/8" Grade 8	4
9	Z72261	Hex Lock Nut, 5/8NC	4
10	Z71372G8	Hex Bolt, 3/8NF x 5/8" G8	4
11	Z72231	Hex Lock Nut, 3/8NC	3
12	1067M002	Spacer, Shredder	27
14	Z71363G8	Hex Bolt, 3/8NC x 8" G8	3

Hopper



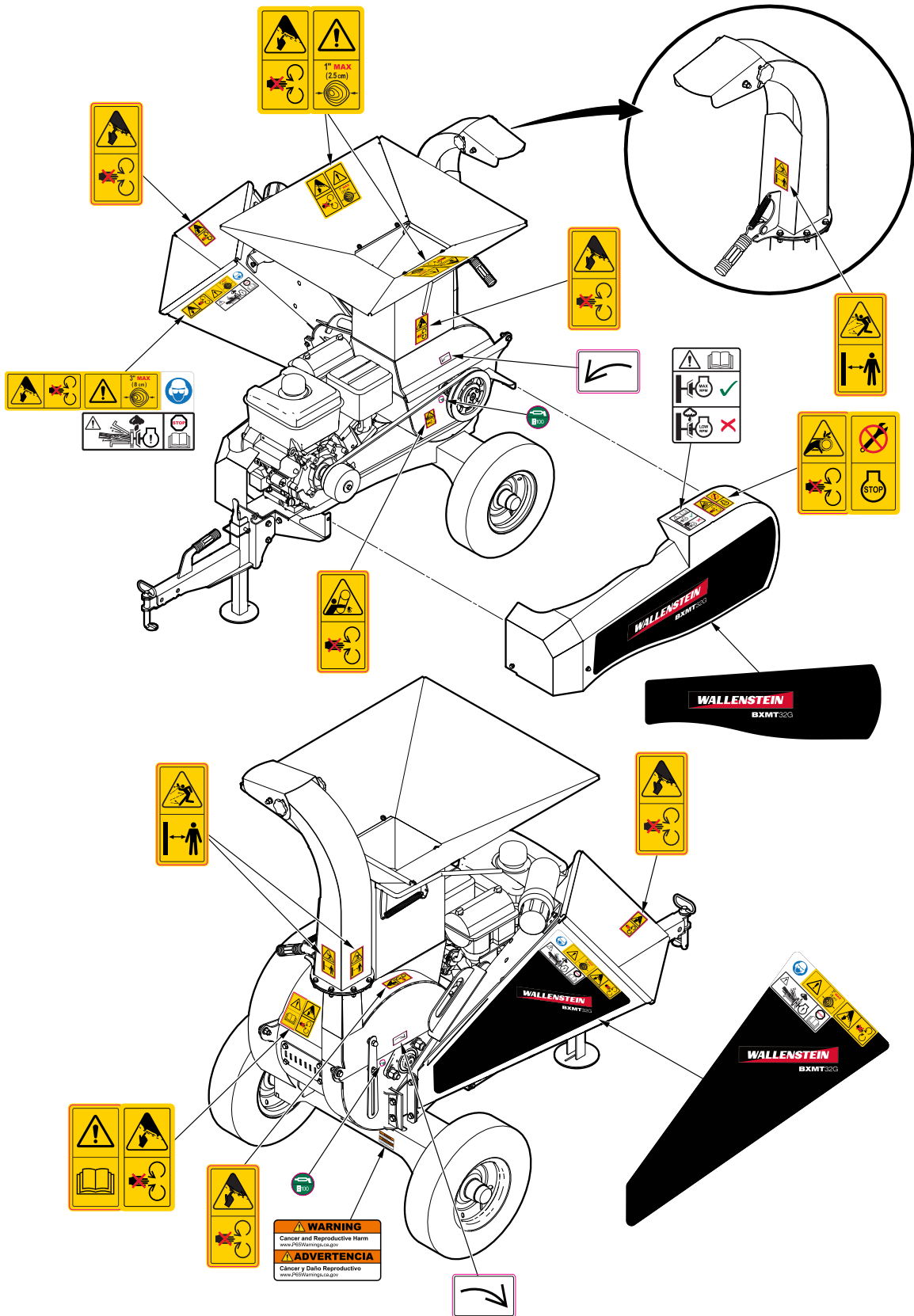
Item	Part No.	Description	Qty
1	1067W011	Chipper Chute	1
2	1056S604	Flap, Hopper	1
3	1018L994	Chipper Chute Flap Clamp	1
4	Z72211	Hex Lock Nut, 1/4NC	4
5	Z71210	Hex Bolt, 5/16NC x 1"	2
6	Z73122G8	SAE Washer, 5/16" Grade 8	2

Item	Part No.	Description	Qty
7	Z76212	Carriage Bolt, 1/4NC x 1"	3
8	Z96503	Manual Tube, 3-1/2" Short	1
9	Z73111G8	SAE Washer, 1/4" Grade 8	6
10	Z72211	Hex Lock Nut, 1/4NC	3
11	Z78318	Machine Screw, 1/4NC x 7/8"	3

Decal Layout

IMPORTANT! If parts are replaced that have safety signs on them, new signs must be applied. Safety signs must always be replaced if they become damaged, are removed, or become illegible.

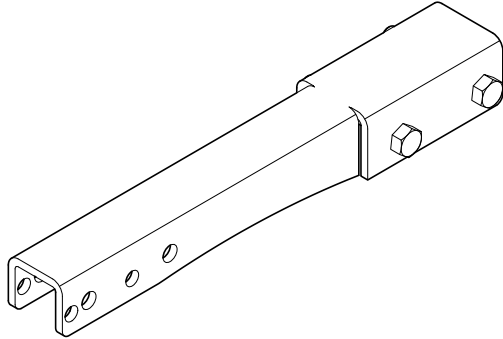
Safety signs are included in the product decal kit available from your authorized dealer. Decals are not available separately.



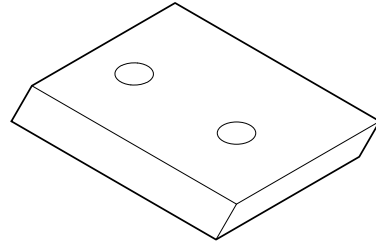
Accessories

Call your dealer for pricing and availability

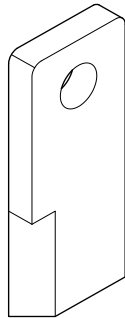
Hitch Extension
P/N W4202



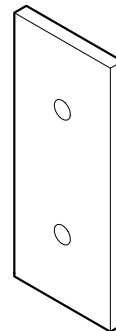
Reversible Rotor Knife
P/N 1056M303



Shredder Knife
P/N 1056M108



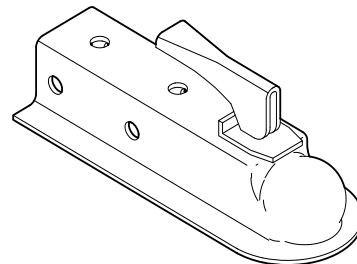
Ledger Knife
P/N 1056M304



Ledger Knife Clearance Gauge
P/N 1012L269



2" Ball Hitch
P/N Z91614




Common Bolt Torque Values

Checking Bolt Torque

The tables shown give correct torque values for various bolts and capscrews. Tighten all bolts to the torque values specified in the table, unless indicated otherwise. Check tightness of bolts periodically.

IMPORTANT! If replacing hardware, use fasteners of the same grade.

IMPORTANT! Torque figures indicated in the table are for non-greased or non-oiled threads. Do not grease or oil threads unless indicated otherwise. When using a thread locker, increase torque values by 5%.

 **NOTE:** Bolt grades are identified by their head markings.

Imperial Bolt Torque Specifications

Bolt Diameter	Torque Value					
	SAE Gr. 2		SAE Gr. 5		SAE Gr. 8	
	lbf•ft	N•m	lbf•ft	N•m	lbf•ft	N•m
1/4"	6	8	9	12	12	17
5/16"	10	13	19	25	27	36
3/8"	20	27	33	45	45	63
7/16"	30	41	53	72	75	100
1/2"	45	61	80	110	115	155
9/16"	60	95	115	155	165	220
5/8"	95	128	160	215	220	305
3/4"	165	225	290	390	400	540
7/8"	170	230	420	570	650	880
1"	225	345	630	850	970	1320



SAE Gr. 2



SAE Gr. 5



SAE Gr. 8

Metric Bolt Torque Specifications

Bolt Diameter	Torque Value			
	Gr. 8.8		Gr. 10.9	
	lbf•ft	N•m	lbf•ft	N•m
M3	0.4	0.5	1.3	1.8
M4	2.2	3	3.3	4.5
M6	7	10	11	15
M8	18	25	26	35
M10	37	50	52	70
M12	66	90	92	125
M14	83	112	116	158
M16	166	225	229	310
M20	321	435	450	610
M30	1,103	1 495	1,550	2 100



8.8



10.9