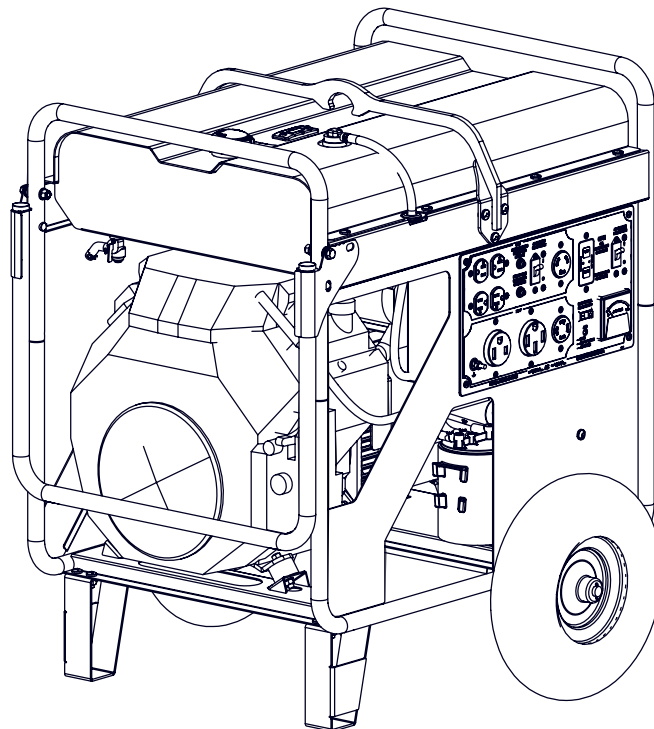




EMB Manufacturing Inc.
4144 Boomer Line · St. Clements, On · N0B 2M0 · Canada
Ph: (519) 699-9283 · Fax: (519) 699-4146
www.wallensteinequipment.com

WCS12000 / WCS12000R Generator Parts Manual

Starting with S/N's
WCS12000 - 126003
WCS12000R - 127002



Refer to the operators
manual for safe
operation and
maintenance

Foreword

EMB Mfg. has prepared this parts manual to assist customers in ordering quality OEM replacement parts.

Proper and regular service and replacing old, worn or broken parts with the correct OEM parts are essential to prolonging the life of your EMB product. Please refer to this manual before ordering any replacement parts.

All information contained in this parts manual is based on the latest product specification available at the time of printing this manual. If your product differs from the specifications contained within this manual contact EMB Mfg. for information.

EMB reserves the right to alter specifications on their products at any time.

Reproduction of this parts manual of any kind is prohibited without prior written permission from EMB Mfg.

For parts and information please contact your dealer. If your dealer is no longer available please go to our website: <http://www.wallensteinequipment.com> and click on "FIND A DEALER NEAR YOU" for information on a local dealer.

Table of Contents

Bolt Torque..... 4
WCS12000 / WCS12000R Main Assembly..... 5
Engine / Generator Assembly..... 6
Frame Assembly 7
Electrical Panel Assembly 8
Fuel Tank Assembly & Fuel Lines..... 9
Wiring Diagram..... 10
Label Layout..... 11
Accessories..... 12

Alternator: Mecc Alte Inc. S20F-160A Below are alternator parts available from Wallenstein. For other parts and maintenance or repair information please refer to the Mecc Alte alternator manual that shipped with the generator.			
1	Drive End Bracket	0391700143	
2	Fan	0392000033	
3	Rear Bearing 6205-2RS	0390302511	
4	Diode D2/125 25A	9910356050	
5	Varistor	9910384005	
6	Capacitor # :see list below		
Find the value of the capacitor in your alternator, and match it to the list shown.		GECAP31MF	Capacitor, 31.5 MFZ
		GECAP40MF	40 MF CAPACITOR
		GECAP14MF	Capacitor, 14 MFZ
		GECAP20MF	Capacitor, 20uF

Alternator maintenance should be performed by trained personnel only.



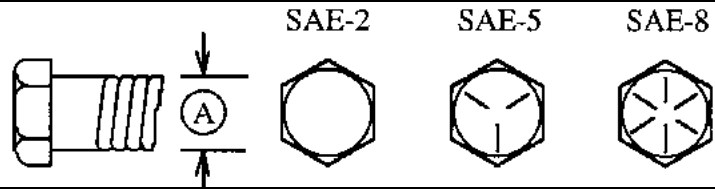
Exercise extreme caution when working with exposed wiring of the alternator, be aware that high voltage discharge of the capacitor is a danger.

Bolt Torque

CHECKING BOLT TORQUE

The tables shown below give correct torque values for various bolts and capscrews. Tighten all bolts to the torques specified in chart unless otherwise noted. Check tightness of bolts periodically, using bolt torque chart as a guide. Replace hardware with the same strength bolt.

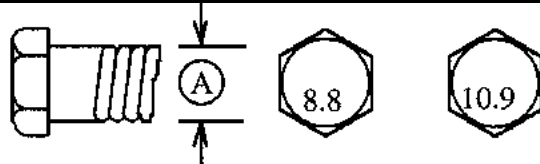
ENGLISH TORQUE SPECIFICATIONS						
Bolt Diameter "A"	Bolt Torque*					
	SAE 2 (N.m) (lb-ft)		SAE 5 (N.m) (lb-ft)		SAE 8 (N.m) (lb-ft)	
1/4"	8	6	12	9	17	12
5/16"	13	10	25	19	36	27
3/8"	27	20	45	33	63	45
7/16"	41	30	72	53	100	75
1/2"	61	45	110	80	155	115
9/16"	95	60	155	115	220	165
5/8"	128	95	215	160	305	220
3/4"	225	165	390	290	540	400
7/8"	230	170	570	420	880	650
1"	345	225	850	630	1320	970



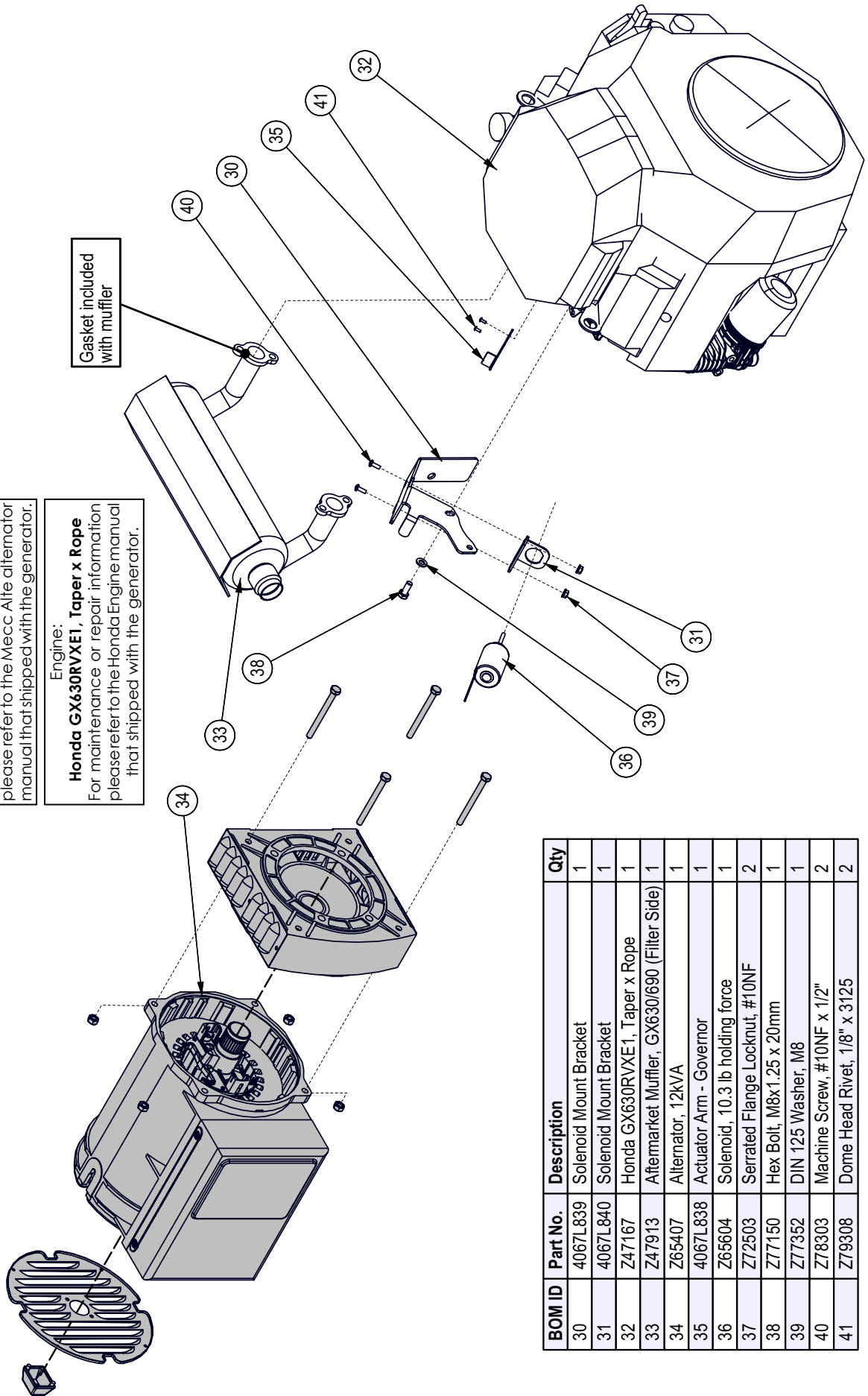
Torque figures indicated above are valid for non-greased or non-oiled threads and heads unless otherwise specified. Therefore, do not grease or oil bolts or capscrews unless otherwise specified in this manual. When using locking elements, increase torque values by 5%.

* Torque value for bolts and capscrews are identified by their head markings.

METRIC TORQUE SPECIFICATIONS				
Bolt Diameter "A"	Bolt Torque*			
	8.8 (N.m) (lb-ft)		10.9 (N.m) (lb-ft)	
M3	0.5	0.4	1.8	1.3
M4	3	2.2	4.5	3.3
M5	6	4	9	7
M6	10	7	15	11
M8	25	18	35	26
M10	50	37	70	52
M12	90	66	125	92
M14	140	103	200	148
M16	225	166	310	229
M20	435	321	610	450
M24	750	553	1050	774
M30	1495	1103	2100	1550
M36	2600	1917	3675	2710



Engine / Alternator Assembly

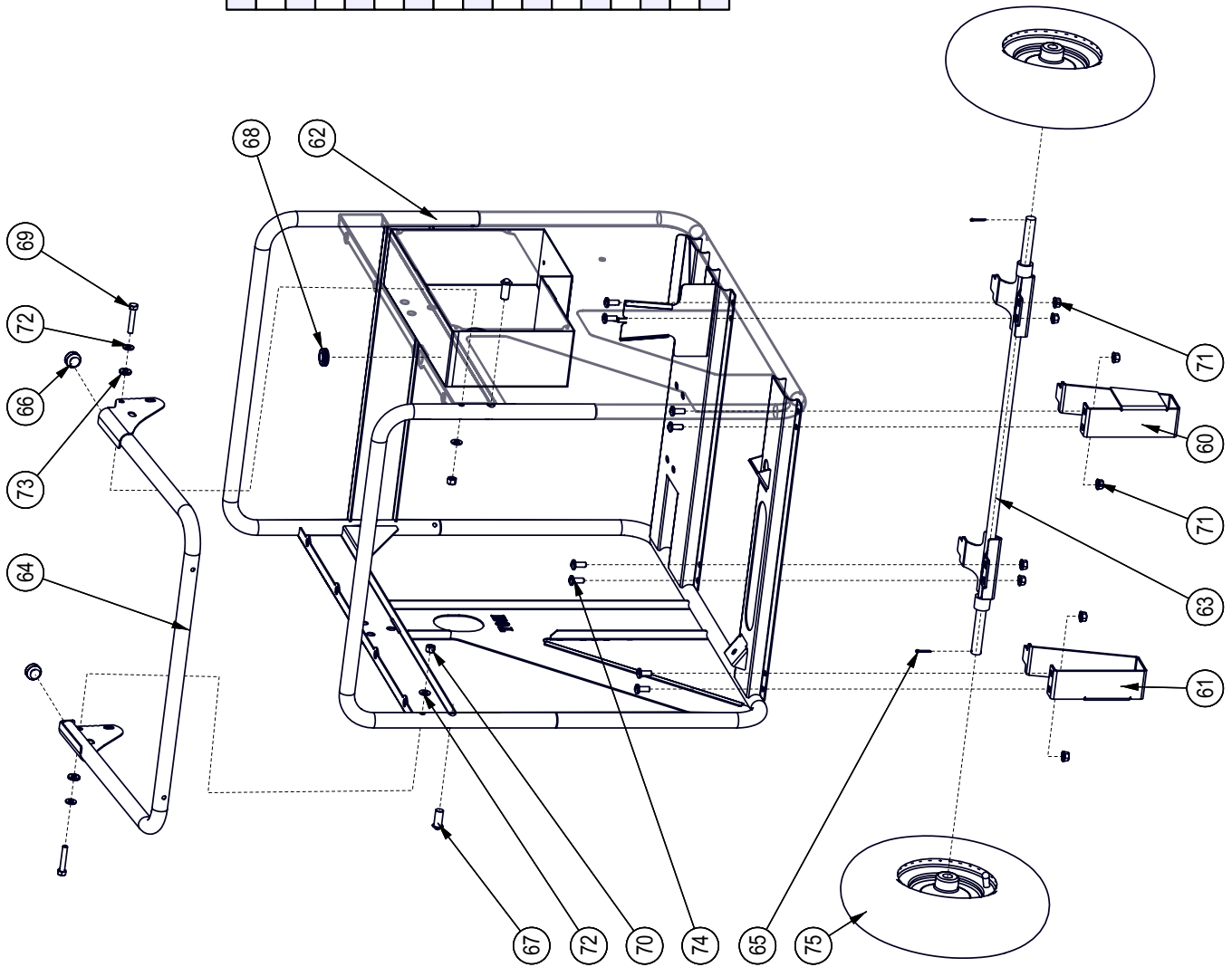


Alternator:
Mecc Alte Inc. S20F-160/A
 See parts chart page 3
 For maintenance or repair information please refer to the Mecc Alte alternator manual that shipped with the generator.

Engine:
Honda GX630RVXE1, Taper x Rope
 For maintenance or repair information please refer to the Honda Engine manual that shipped with the generator.

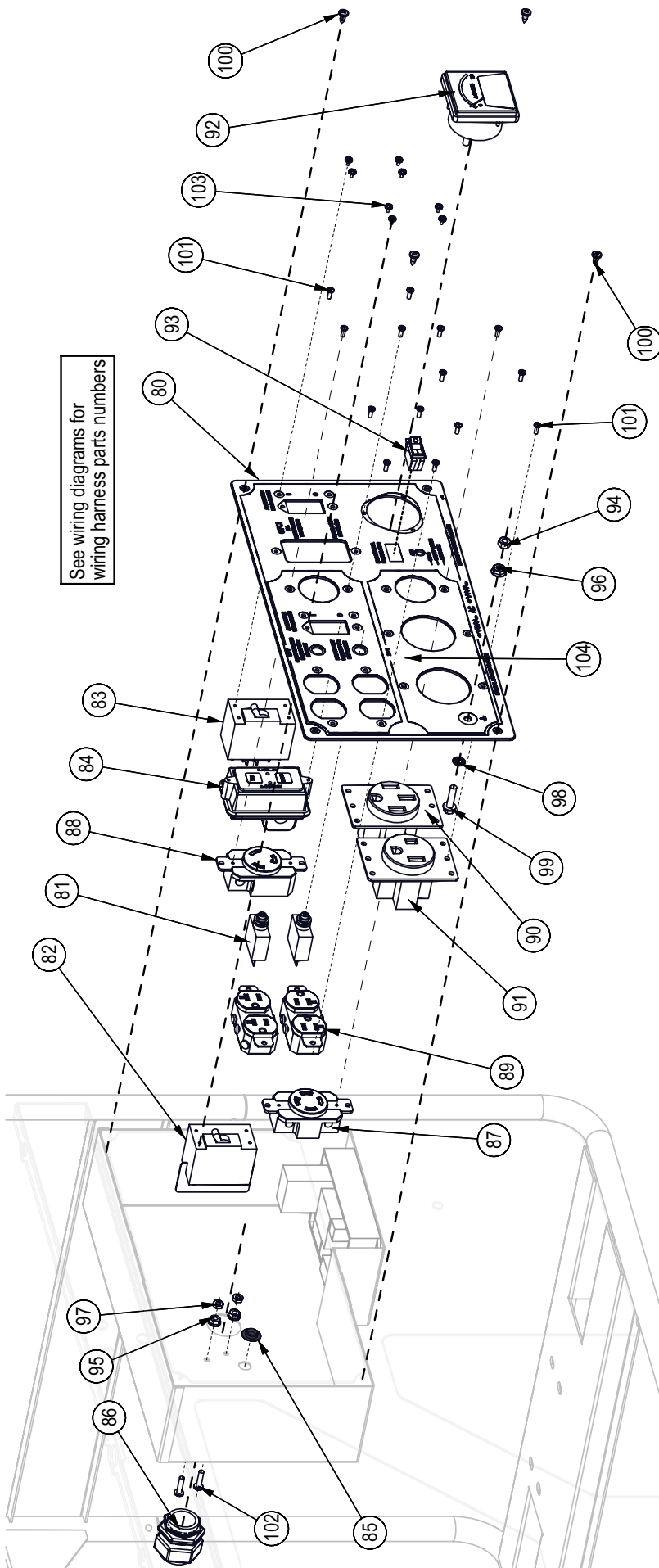
BOM ID	Part No.	Description	Qty
30	4067L839	Solenoid Mount Bracket	1
31	4067L840	Solenoid Mount Bracket	1
32	Z47167	Honda GX630RVXE1, Taper x Rope	1
33	Z47913	Aftermarket Muffler, GX630/690 (Filter Side)	1
34	Z65407	Alternator, 12kVA	1
35	4067L838	Actuator Arm - Governor	1
36	Z65604	Solenoid, 10.3 lb holding force	1
37	Z72503	Serrated Flange Locknut, #10NF	2
38	Z77150	Hex Bolt, M8x1.25 x 20mm	1
39	Z77352	DIN 125 Washer, M8	1
40	Z78303	Machine Screw, #10NF x 1/2"	2
41	Z79308	Dome Head Rivet, 1/8" x 3125	2

Frame Assembly



BOM ID	Part No.	Description	Qty
60	4067L807	Leg, Lg Frame RH	1
61	4067L807H	Leg, Lg Frame LH	1
62	4067W801	Generator Standard Lg-Frame	1
63	4067W803	Axle Weldment	1
64	4067W806	Weldment, Handle Lg.	1
65	Z12301	Cotter Pin, 3/32" x 3/4"	2
66	Z19909	Rubber Bumper, 7/16" x 1"	2
67	Z34303	Spring Plunger, 1/2" Press x 1.1" x 18 lbs	2
68	Z62823	Rubber Grommet, 5/8" x 1/8"	1
69	Z71217	Hex Bolt, 5/16NC x 1-3/4"	2
70	Z72221	Hex Lock Nut, 5/16NC	2
71	Z72521	Serrated Flange Locknut, 5/16NC	8
72	Z73122	SAE Washer, 5/16"	4
73	Z73223	Thick Washer, 5/16 x 0.125"	2
74	Z78319	Machine Screw, 5/16NC x 3/4" Locking	8
75	Z91315	4.00-6 NHS 2PR	2

Electrical Panel Assembly

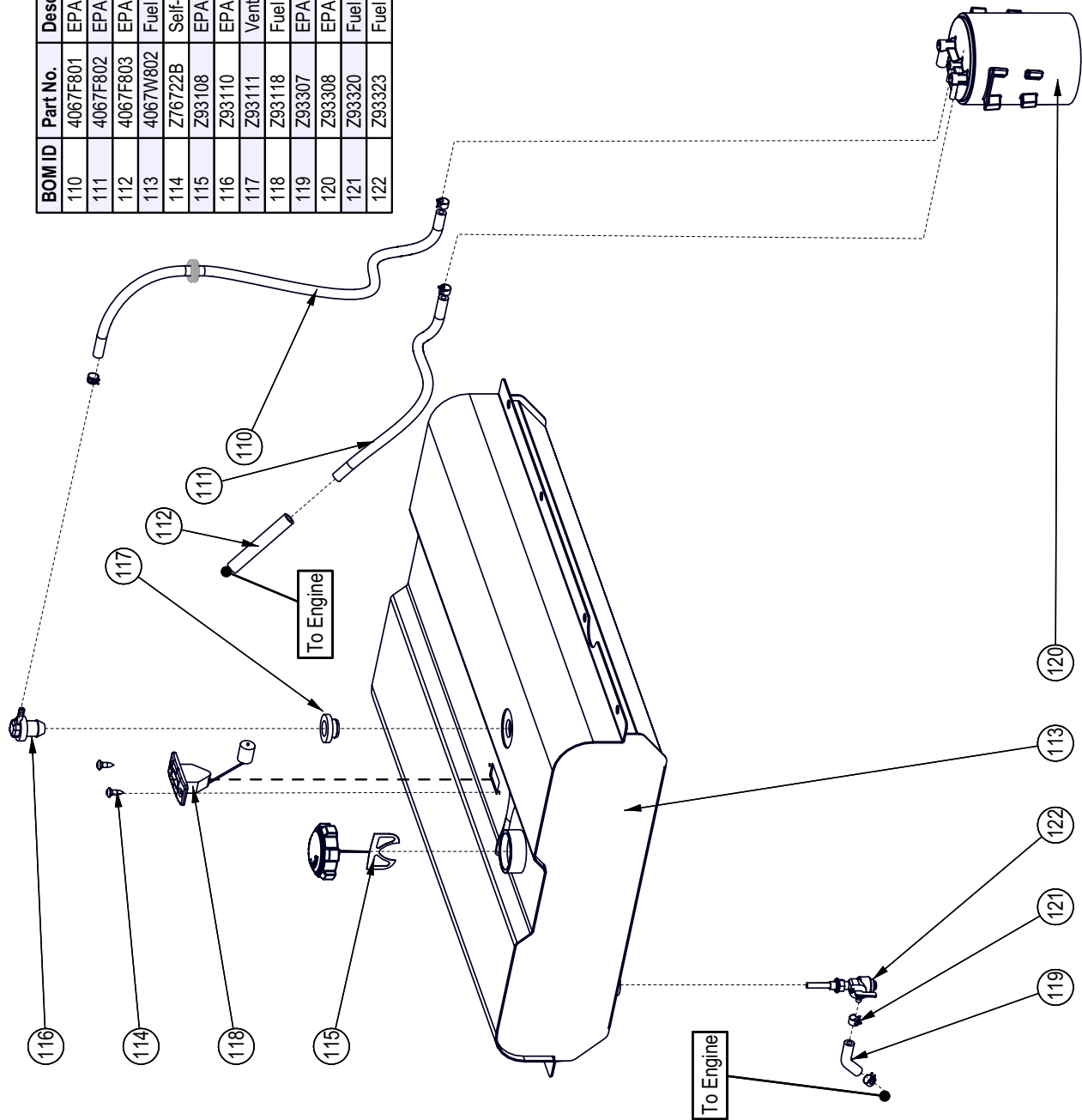


BOM ID	Part No.	Description	Qty
93	Z66112	Rocker Switch, 20A SPST	1
94	Z72111	Hex Nut, 1/4NC	1
95	Z72502	Serrated Flange Locknut, #10NC	2
96	Z72511	Serrated Flange Locknut, 1/4NC	1
97	Z72751	Machine Nut, #10NC	2
98	Z73431	Int - Ext Tooth Washer, 1/4"	1
99	Z76114	Flange Bolt, 1/4NC x 1"	1
100	Z76711	Self-tapping Screw, #10 x 1/2"	4
101	Z78304	Machine Screw, #6NC x 3/8"	14
102	Z78305	Machine Screw, #10NC x 3/4"	2
103	Z78320	SEMS Screw, #6NC x 1/4" x External Tooth	8
104	Z94807	12-14kW GFI Control Panel Decal - WCS12000	1
	Z94822	12-14kW GFI AVR Control Panel Decal - WCS12000R	1

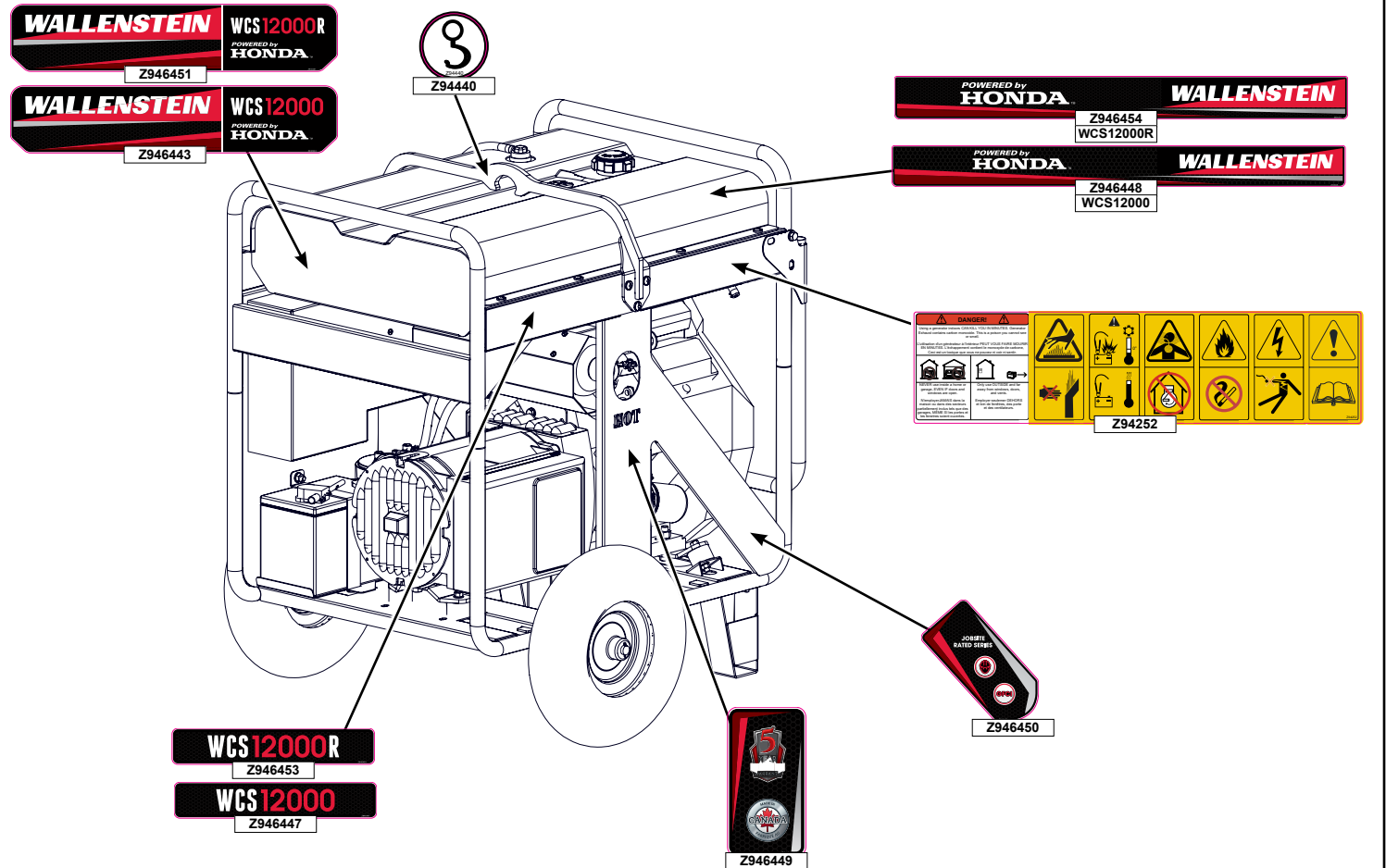
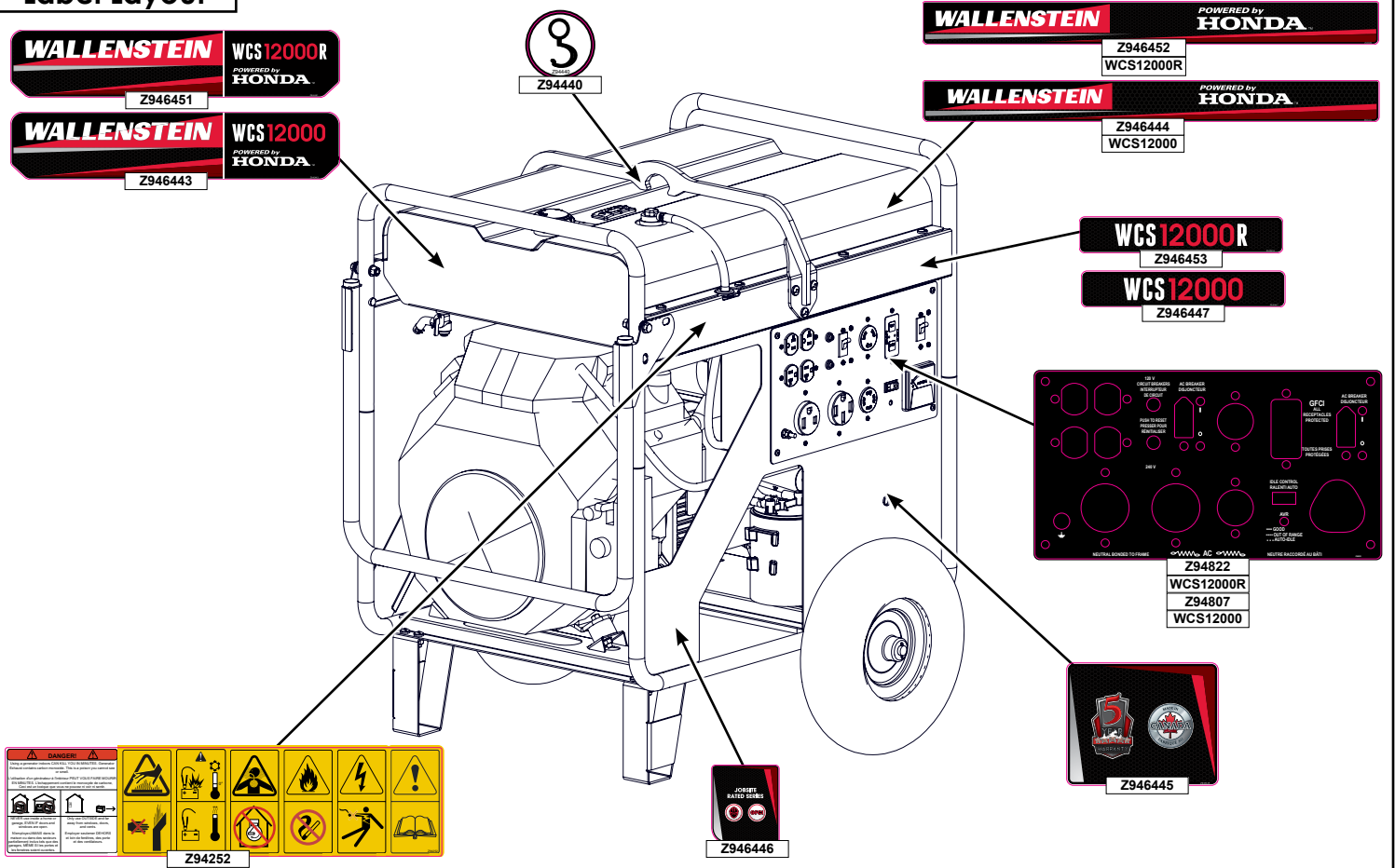
BOM ID	Part No.	Description	Qty
80	4067L804	Panel, Work Series	1
81	Z62616	Thermal Breaker, 15A x TC1 OL1	2
82	Z626210	30A - Double Breaker	1
83	Z62668	42A - Double Breaker - Aux	1
84	Z62671	GFCI Module - PGFM	1
85	Z62813	Plug, #18	1
86	Z62827	Cable Gland, 18-25mm	1
87	Z63403	Receptacle, L14-30 x 30A x 125/250V	1
88	Z63404	Receptacle, L5-30 x 30A x 125V	1
89	Z63406	Receptacle, 5-20R x 20A x 125V	2
90	Z63409	Receptacle, 14-50R x 50A x 125/250V	1
91	Z63410	Receptacle, 6-50R x 50A x 125/250V	1
92	Z64501	Voltmeter, 0-150V	1

Fuel Tank Assembly & Fuel Lines

BOM ID	Part No.	Description	Qty
110	4067F801	EPA fuel line 1/4" ID x 26"	1
111	4067F802	EPA fuel line 1/4" ID x 18.5"	1
112	4067F803	EPA fuel line 3/8" ID x 6"	1
113	4067W802	Fuel Tank Weldment	1
114	Z76722B	Self-tapping Screw, 1/4 x 3/4" Oval Head Countersunk - Black Zinc	2
115	Z93108	EPA Ratchet Fuel Cap, Unleaded Fuel x Unvented with Tether	1
116	Z93110	EPA Remote Vent, HB04	1
117	Z93111	Vent Grommet For Z93110	1
118	Z93118	Fuel Gauge, Generator	1
119	Z93307	EPA Fuel Line, 1/4" x 3"	1
120	Z93308	EPA Carbon Canister, 1200cc	1
121	Z93320	Fuel Line Clip, 1/2" OD Hose	5
122	Z93323	Fuel Shut-Off Valve, 1/4" Generator	1

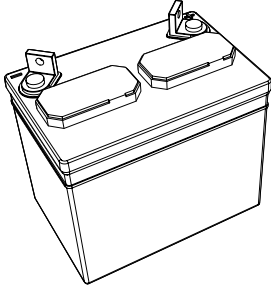
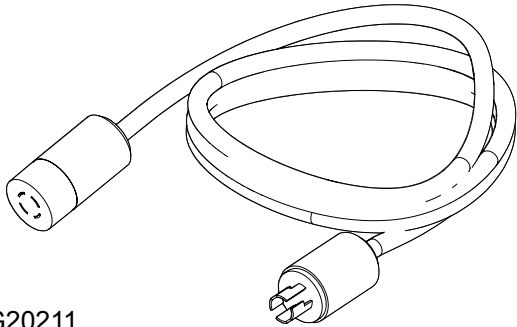



Label Layout



Accessories

Call your dealer for pricing and availability

 <p>#Z93201</p>	<p>#Z93201 U1 250CCA Lawn & Garden Battery</p> <p>The perfect battery to reliably get your generator started.</p>
 <p>#G20211</p>	<p>Generator Extension cord, the right length and size, to make the most of your generator.</p> <ul style="list-style-type: none"> • Heavy Duty SJTW Cable • -40° cold weather jacket • Nema L14-30P 30a 125/250v Plug • Nema L14-30R 30a 125/250v Connector • Water & Flame Resistant • UL, OSHA compliant <p>Availalbe in three sizes.</p> <p>G20211 • 10' Power Cord G20212 • 20' Power Cord G20213 • 25' Power Cord</p>
	<p>#Z97098 GENERATOR OPERATOR'S MANUAL</p> <p>Available as a download at www.wallensteinequipment.com</p>