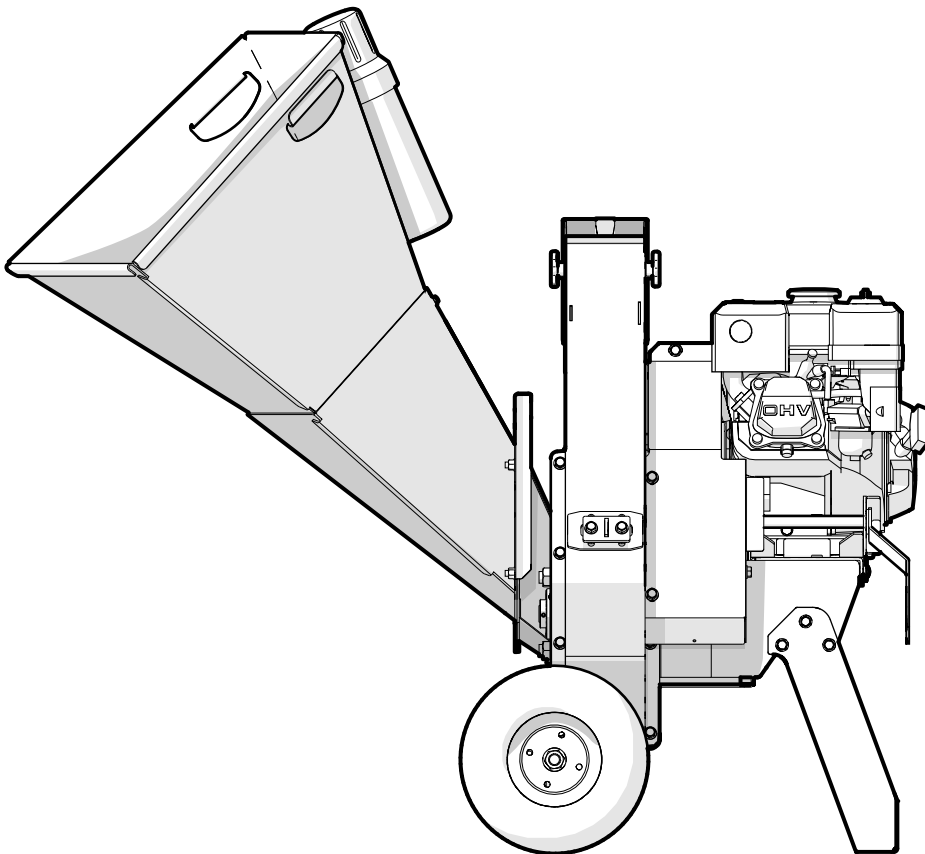


PARTS MANUAL

Serial Number 1C3472 & up

BXC34 **CART CHIPPER**



Foreword

This Wallenstein parts manual is prepared to assist customers in ordering quality OEM replacement parts.

Regular maintenance combined with replacing old, worn or broken parts with the correct OEM parts is essential in prolonging the life of your Wallenstein product. Refer to this manual to identify replacement parts.

To order parts, contact your Wallenstein dealer or distributor. Have the product model and serial number handy.

If your dealer is no longer available, please go to our website: <http://wallensteinequipment.com> and click on the [Dealer Locator](#) to find the nearest dealer.

All information contained in this parts manual is current as per the revision date at the bottom of the page. Wallenstein reserves the right to change product specifications at any time without notice.

If your product specifications differ from those contained in this manual, contact Wallenstein for current information.

Reproduction of information in this parts manual is prohibited without prior written permission from Wallenstein Equipment Inc.

Wallenstein Equipment Inc. • © 2022

! WARNING!

Refer to the operators manual for safe operation and maintenance.

Maintenance should be performed by trained personnel only.

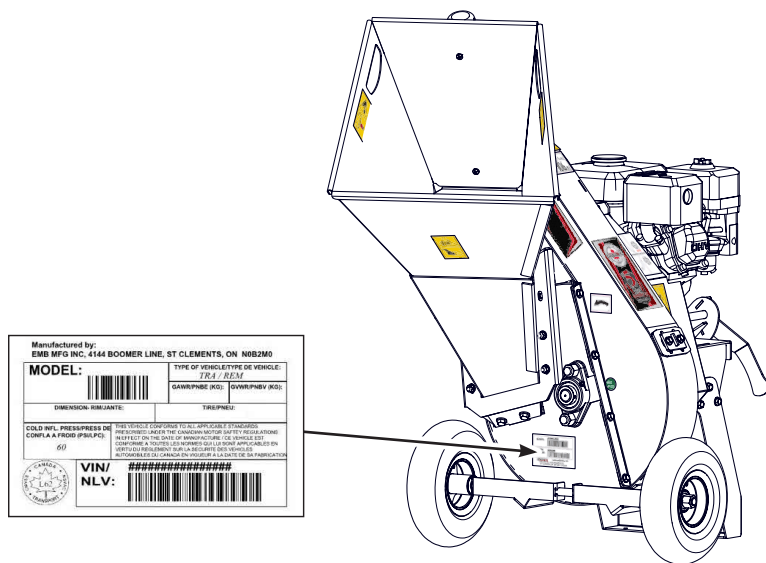
Serial Number Location

Always provide the model and serial number of your Wallenstein product when ordering parts or requesting service or other information. This information is found on the product information plate as shown below.

Record your product information here for future reference.

Model _____

Serial Number _____

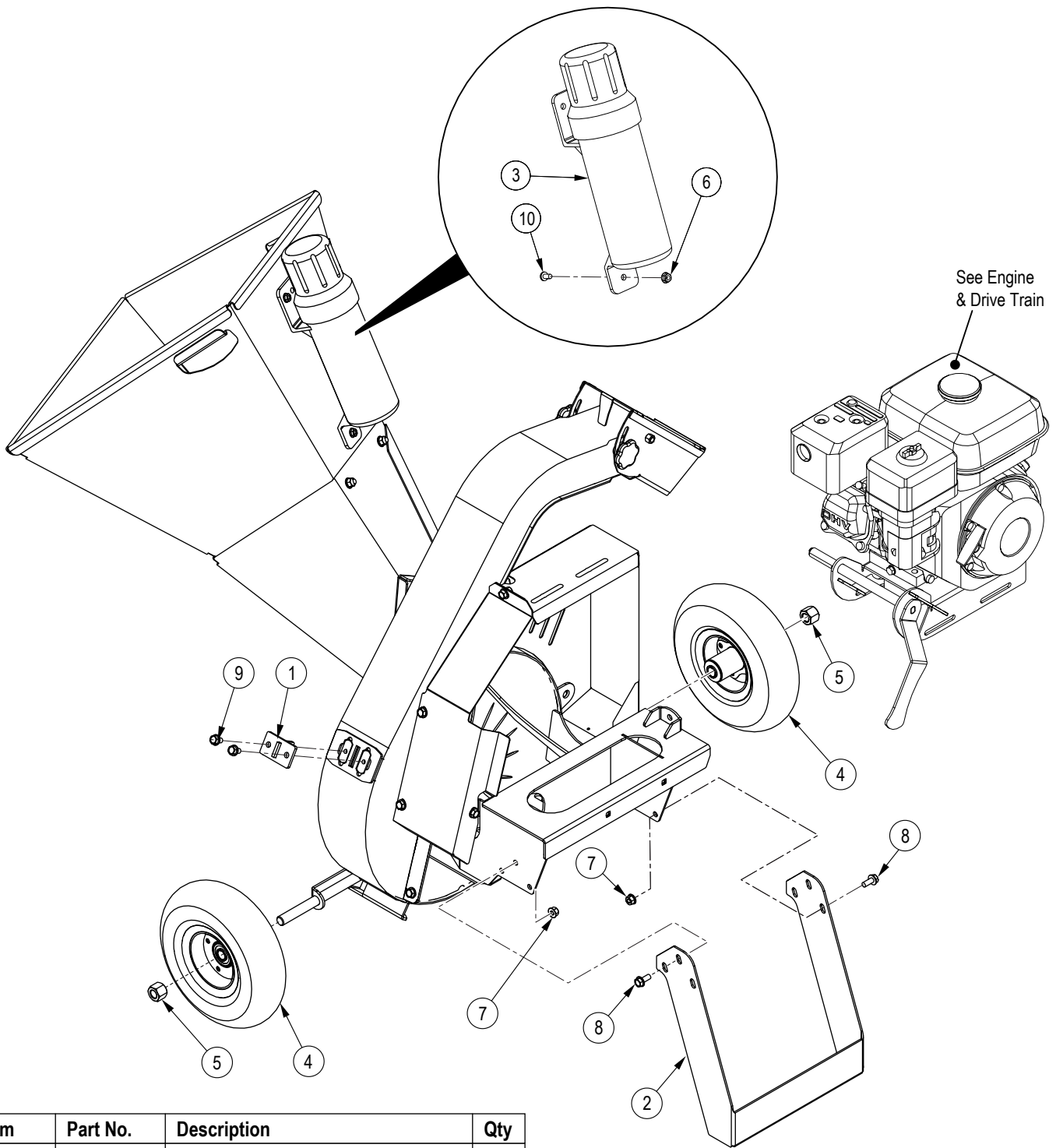


www.wallensteinequipment.com

Contents

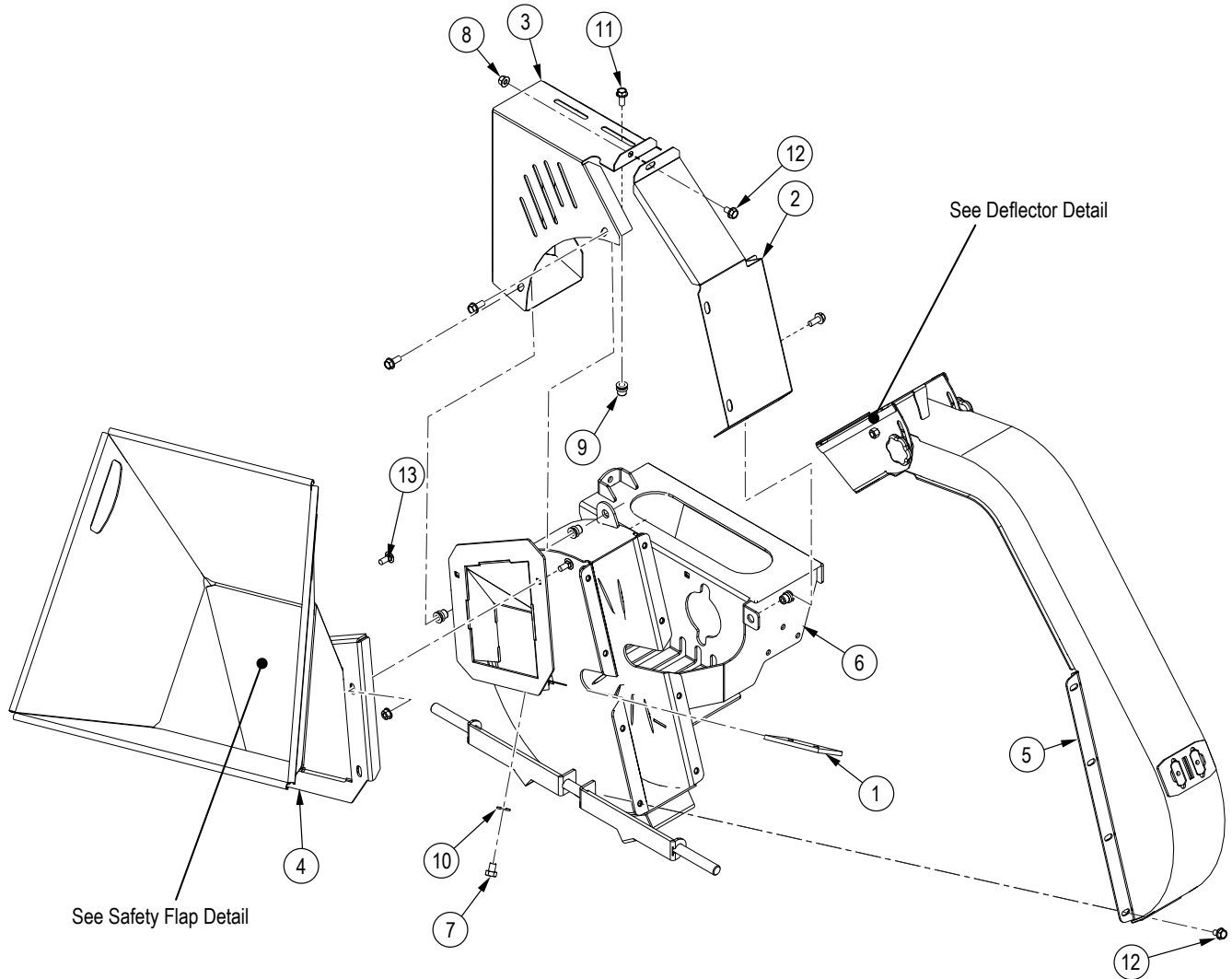
Main Parts.....	4
Upper \ Lower Rotor Housing	5
Rotor Parts	6
Engine and Driveline	7
Deflector Detail.....	8
Safety Flap Detail	8

Main Parts



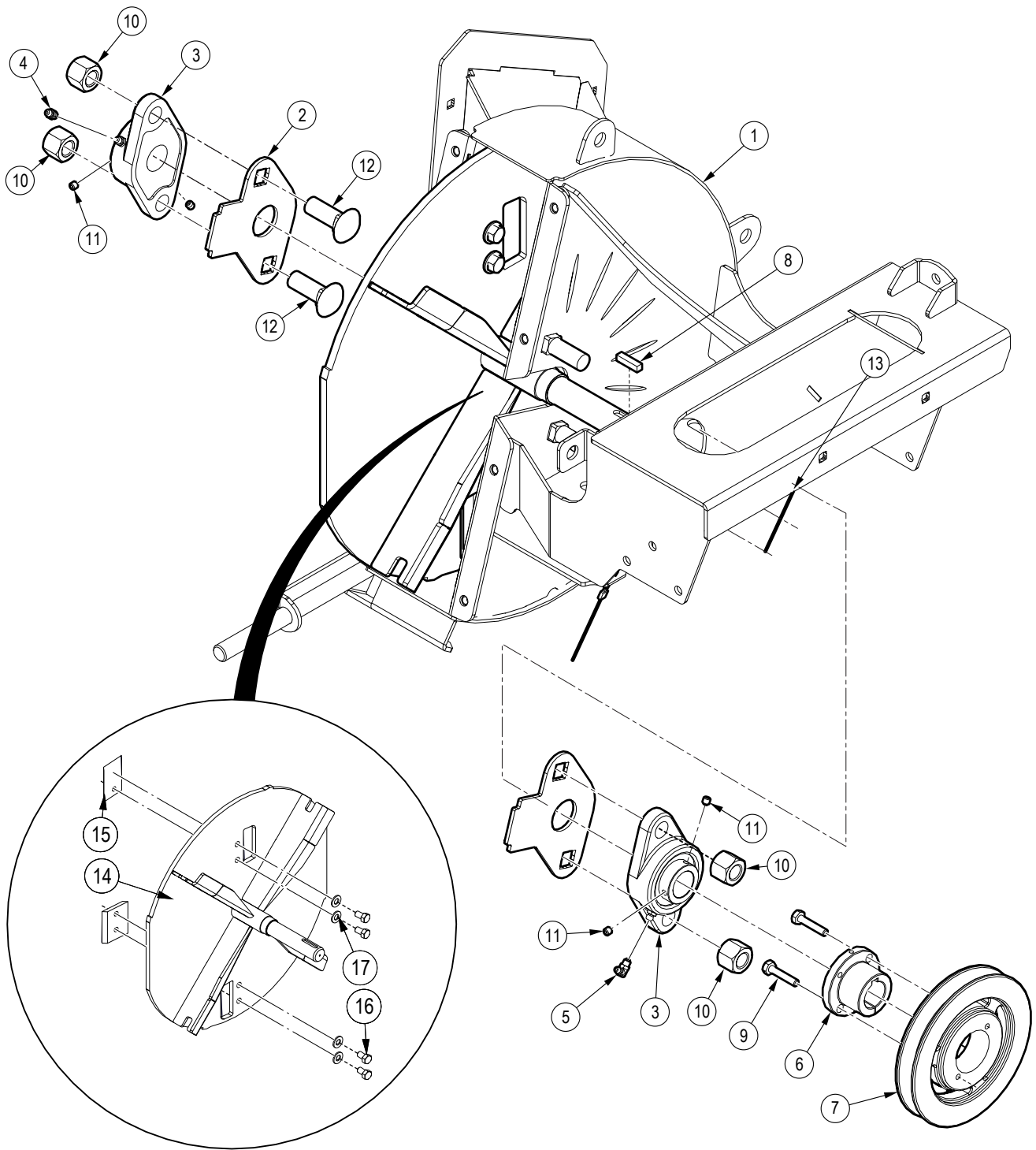
Item	Part No.	Description	Qty
1	1073W126	Twig Breaker	1
2	1073L239	Front Leg	1
3	Z96503	Manual Tube, 3-1/2" Short	1
4	Z91307	4.10-3.50-4NHS LRB 300lbs x 5/8"	2
5	Z72261	Hex Lock Nut, 5/8NC	2
6	Z72511	Serrated Flange Locknut, 1/4NC	3
7	Z72521	Serrated Flange Locknut, 5/16NC	6
8	Z76121	Flange Bolt, 5/16NC x 3/4"	6
9	Z76122	Flange Bolt, 5/16NC x 1/2"	2
10	Z78317	Machine Screw, 1/4NC x 1/2"	3

Upper \ Lower Rotor Housing



Item No.	Part No.	Description	Qty
1	1056M304	Knife, 3" Ledger	1
2	1075L521	Shield, Actuator Side	1
3	1075L600	Shield, Engine Side	1
4	1075W561	Weldment, Feed Hopper	1
5	1075W552	Weldment, Upper Housing	1
6	1075W560	Weldment, Lower Housing	1
7	Z71376G8	Hex Bolt, 3/8NF x 1/2" G8	2
8	Z72521	Serrated Flange Locknut, 5/16NC	5
9	Z72956	Rivet Nut, 5/16NC x 150	7
10	Z73131	SAE Washer, 3/8"	2
11	Z76121	Flange Bolt, 5/16NC x 3/4"	7
12	Z76122	Flange Bolt, 5/16NC x 1/2"	9
13	Z76221	Carriage Bolt, 5/16NC x 3/4"	4

Rotor Parts

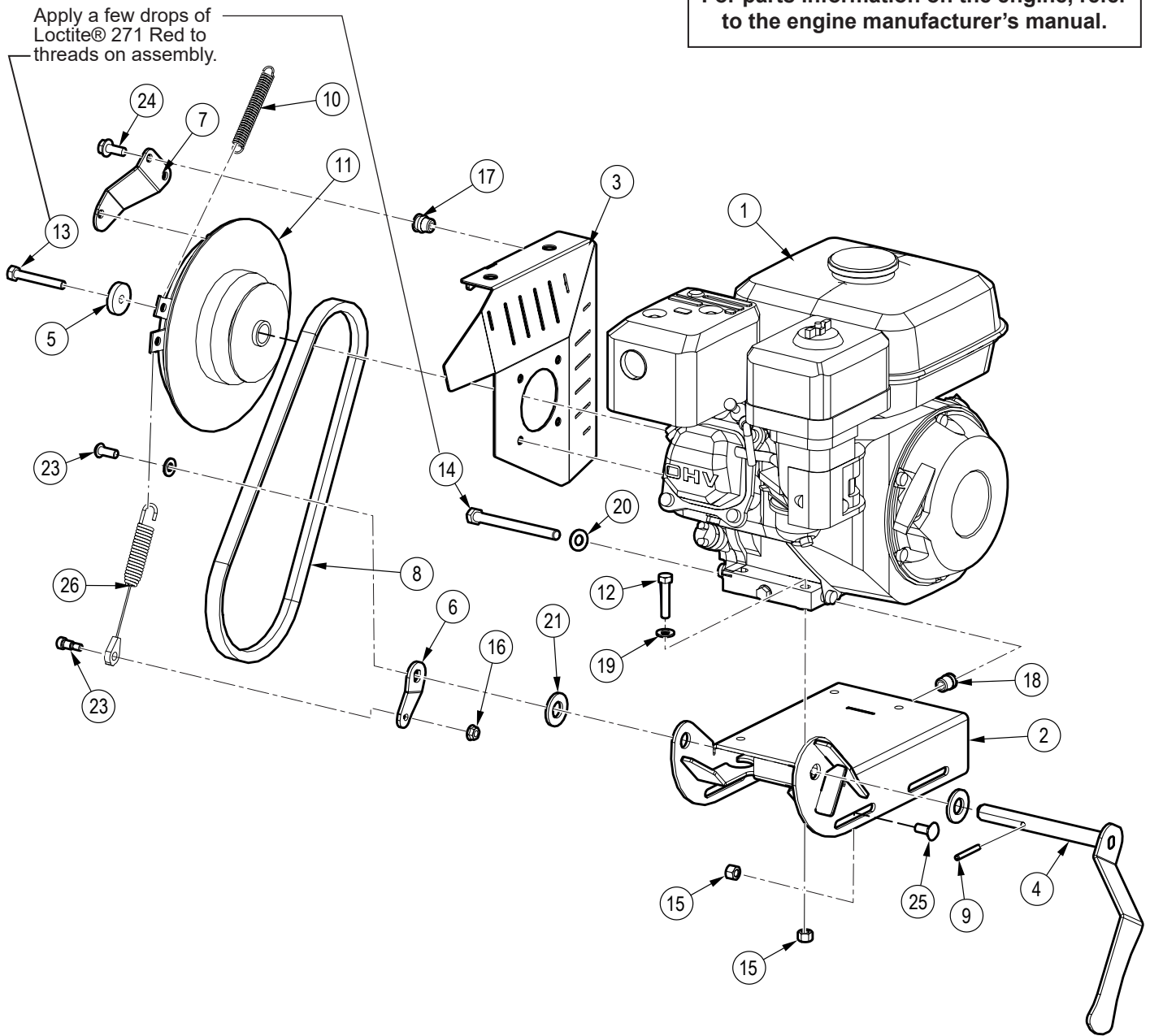


Item No.	Part No.	Description	Qty
1	1075A501	Rotor Assembly	1
2	1075L197	Bearing Cover Plate	2
3	Z25101	2-Bolt Flange Bearing, UCFL205-16	2
4	Z29202	Grease Fitting, 1/4NF	1
5	Z29203	Elbow 90 Grease Fitting, 1/4NF	1
6	Z41510	Hub, L x 1"	1
7	Z41615	Sheave, MBL57 x L	1
8	Z46533	Key, 1/4" x 1/4" x 1"	1
9	Z71112	Hex Bolt, 1/4NC x 1-1/4"	2

Item	Part No.	Description	Qty
10	Z72261	Hex Lock Nut, 5/8NC	4
11	Z74111	Set Screw, 1/4NC x 1/4"	4
12	Z76262	Carriage Bolt, 5/8NC x 1-3/4"	4
13	Z92110	Aircraft Cable, 1/16" x 24"	2
14	1075W550	Rotor Weldment	1
15	1056M303	Knife, 3" Rotor	2
16	Z71372G8	Hex Bolt, 3/8NF x 5/8" G8	4
17	Z73131	SAE Washer, 3/8"	4

Engine and Driveline

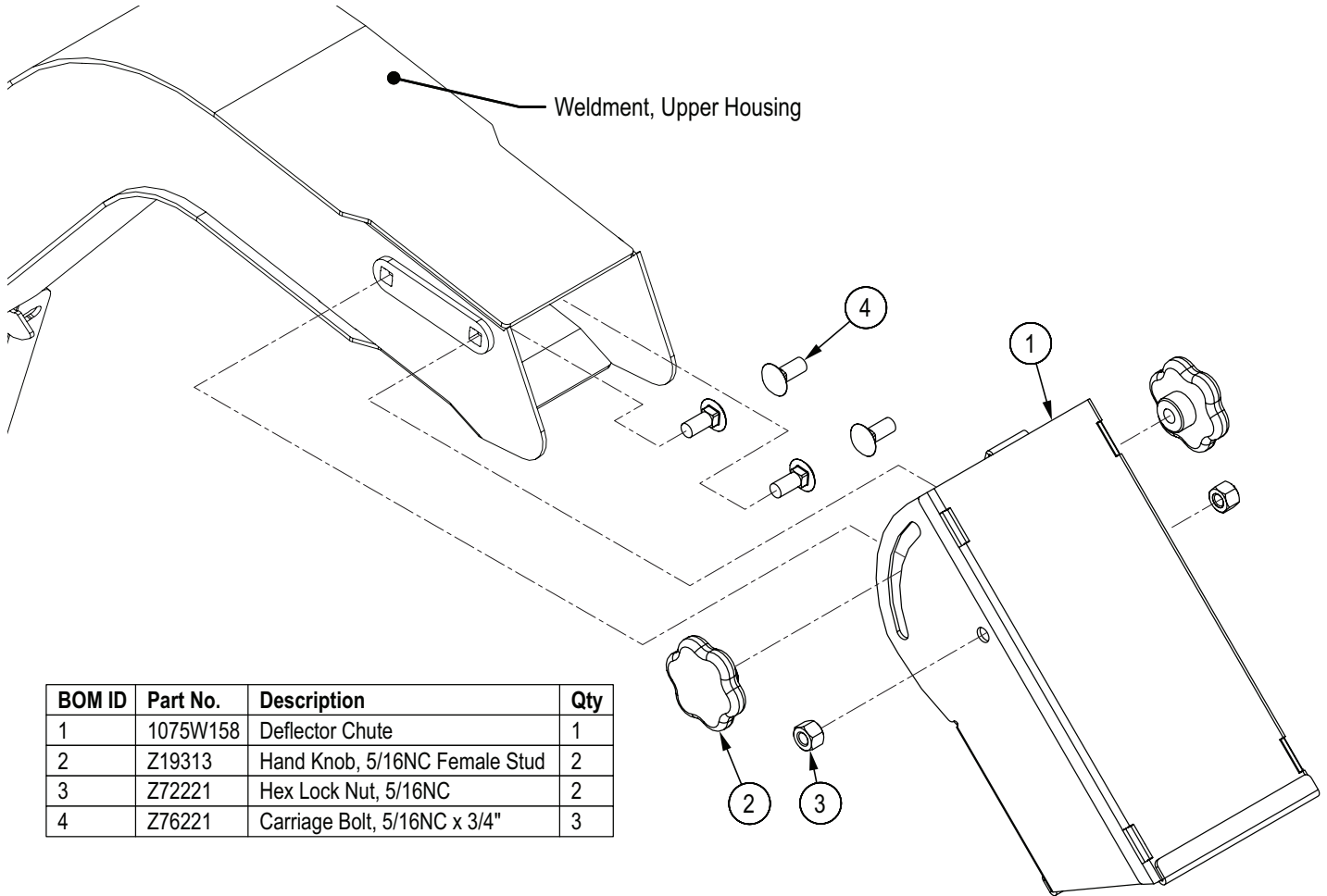
For parts information on the engine, refer to the engine manufacturer's manual.



Item No.	Part No.	Description	Qty
1	Z47131	Honda GX200UTQH6, Rope	1
2	1075W504	Weldment, Sliding Engine Base	1
3	1075W502	Weldment, Shield Mount	1
4	1075W503	Clutch Actuator	1
5	1073L255	Trap Washer	1
6	1075L602	Clutch Actuator Foot	1
7	1075L509	Clutch Keep	1
8	Z41164	Single Belt, B32	1
9	Z14151	Roll Pin, 3/16" x 1-1/2"	1
10	Z31304	Ext Spring, 1/2" OD x 2-1/2" x .063"	1
11	Z49301	Brake Clutch, 3.6" x 3/4"	1
12	Z71215	Hex Bolt, 5/16NC x 1-1/2"	4
13	Z71277	Hex Bolt, 5/16NF x 2-1/4"	1
14	Z71390FT	Hex Bolt, 3/8NC x 5" Full Threads	1

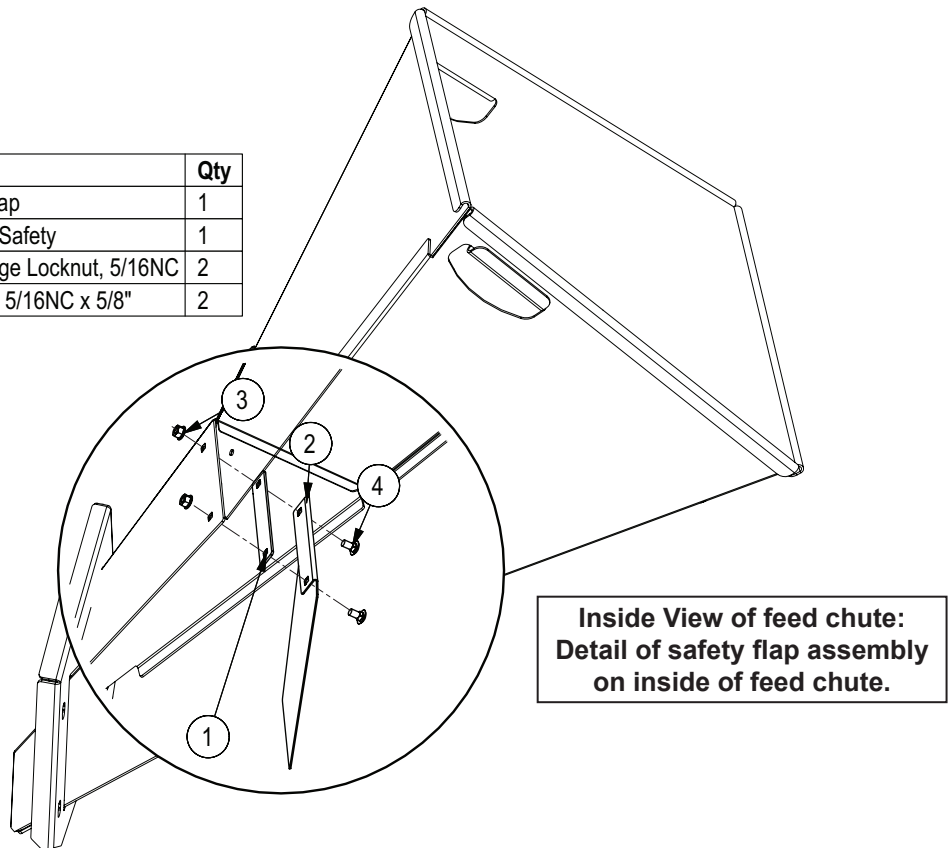
Item	Part No.	Description	Qty
15	Z72221	Hex Lock Nut, 5/16NC	8
16	Z72511	Serrated Flange Locknut, 1/4NC	1
17	Z72956	Rivet Nut, 5/16NC x 150	2
18	Z72958	Rivet Nut, 3/8NC x 150	1
19	Z73122	SAE Washer, 5/16"	5
20	Z73131	SAE Washer, 3/8"	1
21	Z73161	SAE Washer, 5/8"	2
22	Z75351	BHCS, 5/16NF x 3/4"	5
23	Z75523	Shoulder Bolt, 5/16" x 3/8"	1
24	Z76121	Flange Bolt, 5/16NC x 3/4"	2
25	Z76221	Carriage Bolt, 5/16NC x 3/4"	4
26	Z92117	Clutch Actuator Cable with Spring and 5/16" Eye	1

Deflector Detail



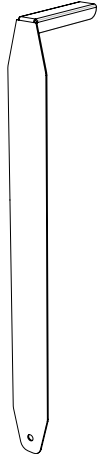
Safety Flap Detail

BOM ID	Part No.	Description	Qty
1	1075L214	Plate, Flap Trap	1
2	1075S154	Flap, Rubber Safety	1
3	Z72521	Serrated Flange Locknut, 5/16NC	2
4	Z76222	Carriage Bolt, 5/16NC x 5/8"	2

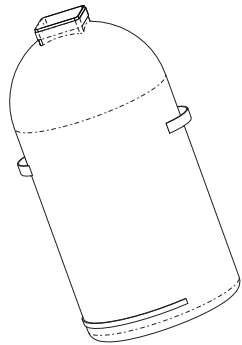


Accessories

Call your dealer for pricing and availability

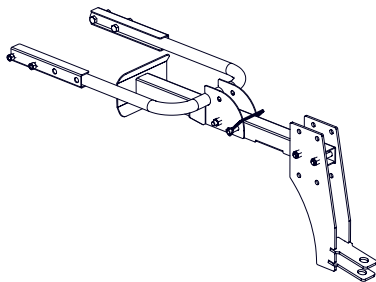
**Ledger Clearance Setting Gauge
P/N – 1012L269**

Set the critical clearances between the ledger blade and the rotor chipper blade.

**Mulch Collector Bag P/N – 1082S352**

Collect mulch and distribute it where its needed.

The mulch bag holds 2.7 ft³ (28 L) and is made of mildew resistant synthetic material. The porous fabric allows air from the rotor to pass through without restricting collection of the chips.

**Garden Tractor Hitch P/N – 1082A355**

Haul the chipper with a garden tractor or ATV. Convenient when working around the yard. Easy to install and ready to go.


Common Bolt Torque Values

Checking Bolt Torque

The tables shown give correct torque values for various bolts and capscrews. Tighten all bolts to the torque values specified in the table, unless indicated otherwise. Check tightness of bolts periodically.

IMPORTANT! If replacing hardware, use fasteners of the same grade.

IMPORTANT! Torque figures indicated in the table are for non-greased or non-oiled threads. Do not grease or oil threads unless indicated otherwise. When using a thread locker, increase torque values by 5%.

 **NOTE:** Bolt grades are identified by their head markings.

Imperial Bolt Torque Specifications

Bolt Diameter	Torque Value					
	SAE Gr. 2		SAE Gr. 5		SAE Gr. 8	
	lbf•ft	N•m	lbf•ft	N•m	lbf•ft	N•m
1/4"	6	8	9	12	12	17
5/16"	10	13	19	25	27	36
3/8"	20	27	33	45	45	63
7/16"	30	41	53	72	75	100
1/2"	45	61	80	110	115	155
9/16"	60	95	115	155	165	220
5/8"	95	128	160	215	220	305
3/4"	165	225	290	390	400	540
7/8"	170	230	420	570	650	880
1"	225	345	630	850	970	1320



SAE Gr. 2



SAE Gr. 5



SAE Gr. 8

Metric Bolt Torque Specifications

Bolt Diameter	Torque Value			
	Gr. 8.8		Gr. 10.9	
	lbf•ft	N•m	lbf•ft	N•m
M3	0.4	0.5	1.3	1.8
M4	2.2	3	3.3	4.5
M6	7	10	11	15
M8	18	25	26	35
M10	37	50	52	70
M12	66	90	92	125
M14	83	112	116	158
M16	166	225	229	310
M20	321	435	450	610
M30	1,103	1 495	1,550	2 100



8.8



10.9