



EMB Manufacturing Inc.
4144 Boomer Line · St. Clements, On · N0B 2M0 · Canada
Ph: (519) 699-9283 · Fax: (519) 699-4146
www.embmfg.com

WP260 Wood Processor Parts Manual

Starting with S/N 670001

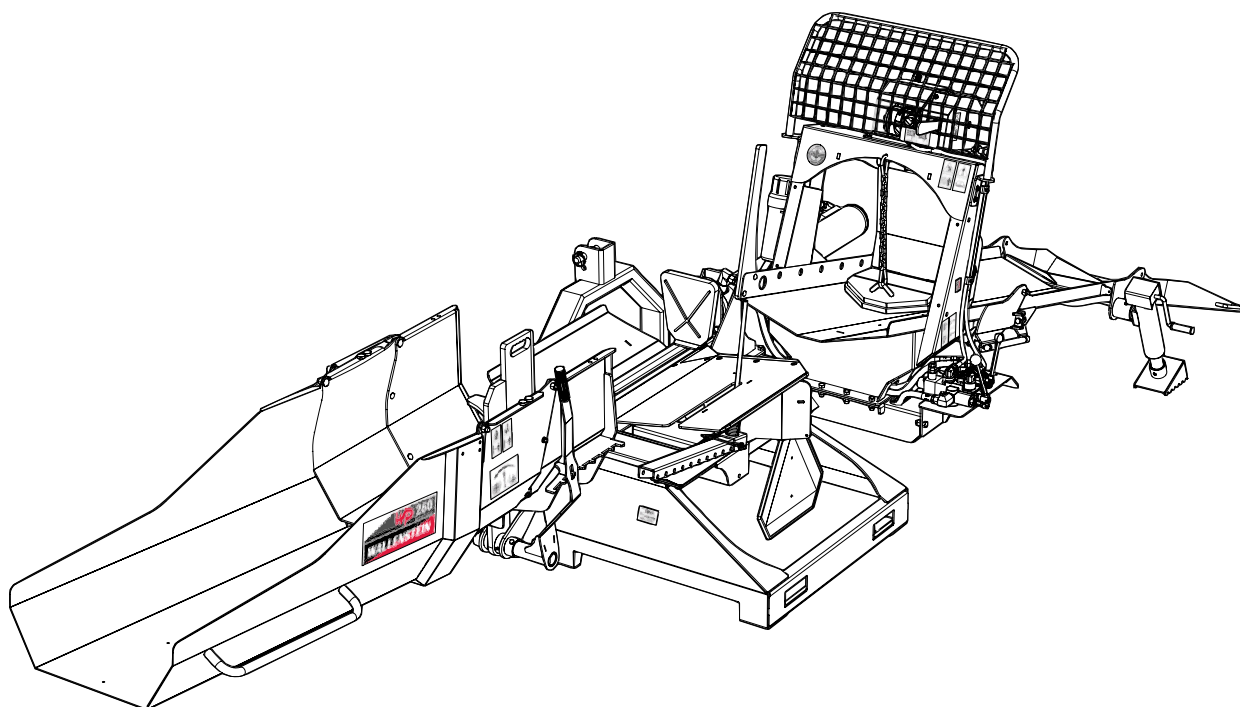


Table of Contents

Contents

SPLITTER CHUTE ASS'Y.....	3
SPLITTER CRADLE ASS'Y	4
THRE POINT HITCH FRAME ASS'Y.....	5
LOG CHUTE ASS'Y	6
LOG HOLD DOWN ASSEMBLY	7
LEAD IN CHUTE ASEEMBLY.....	8
HYDRAULIC SPLITTER ASS'Y	9
HYDRAULIC LINES	10
HYDRAULIC VALVES	11
HYDRAULIC CYLINDER	12
HYDRAULIC CYLINDER SEAL KIT #SLK-4525.....	12
HYDRAULIC WINCH.....	13
WINCH DRUM DETAIL	14
WINCH FAIRLEAD DETAIL	14
LABELS	15
HYDRAULIC SCHEMATIC.....	16
ACCESSORIES.....	17

Foreword

EMB Mfg. has prepared this parts manual to assist customers in ordering quality OEM replacement parts.

Proper and regular service and replacing old, worn or broken parts with the correct Wallenstein parts are essential to prolonging the life of your Wallenstein product. Please refer to this manual before ordering any replacement parts.

All information contained in this parts manual is based on the latest product specification available at the time of printing this manual. If your product differs from the specifications contained within this manual contact EMB Mfg. for information.

EMB reserves the right to alter specifications on their products at any time.

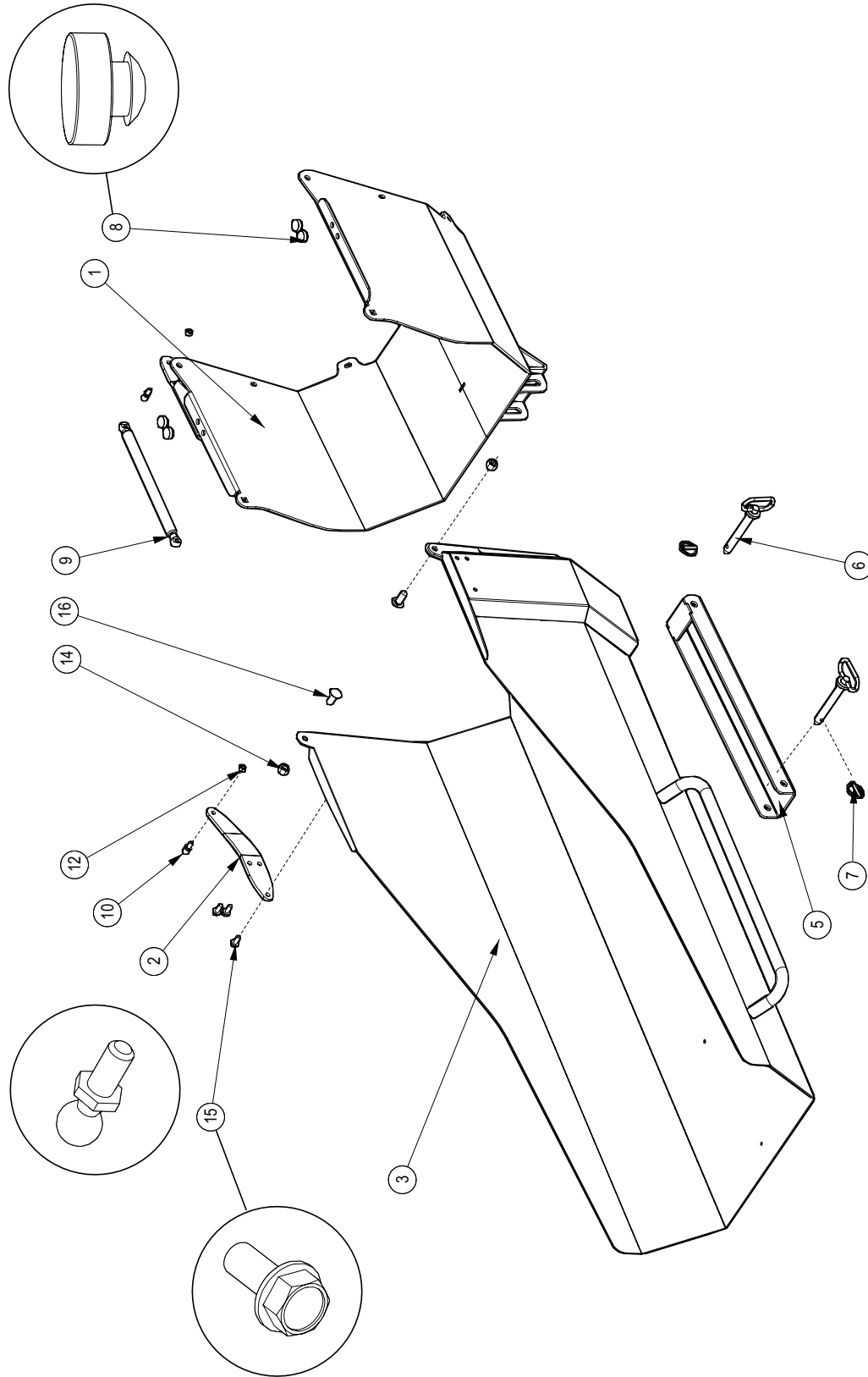
Reproduction of this parts manual of any kind is prohibited without prior written permission from EMB Mfg.



Refer to the operators manual for safe operation and maintainance

For parts and information please contact your dealer. If your dealer is no longer available please go to our website: <http://www.embmfg.com> and click on "FIND A DEALER NEAR YOU" for information on a local dealer.

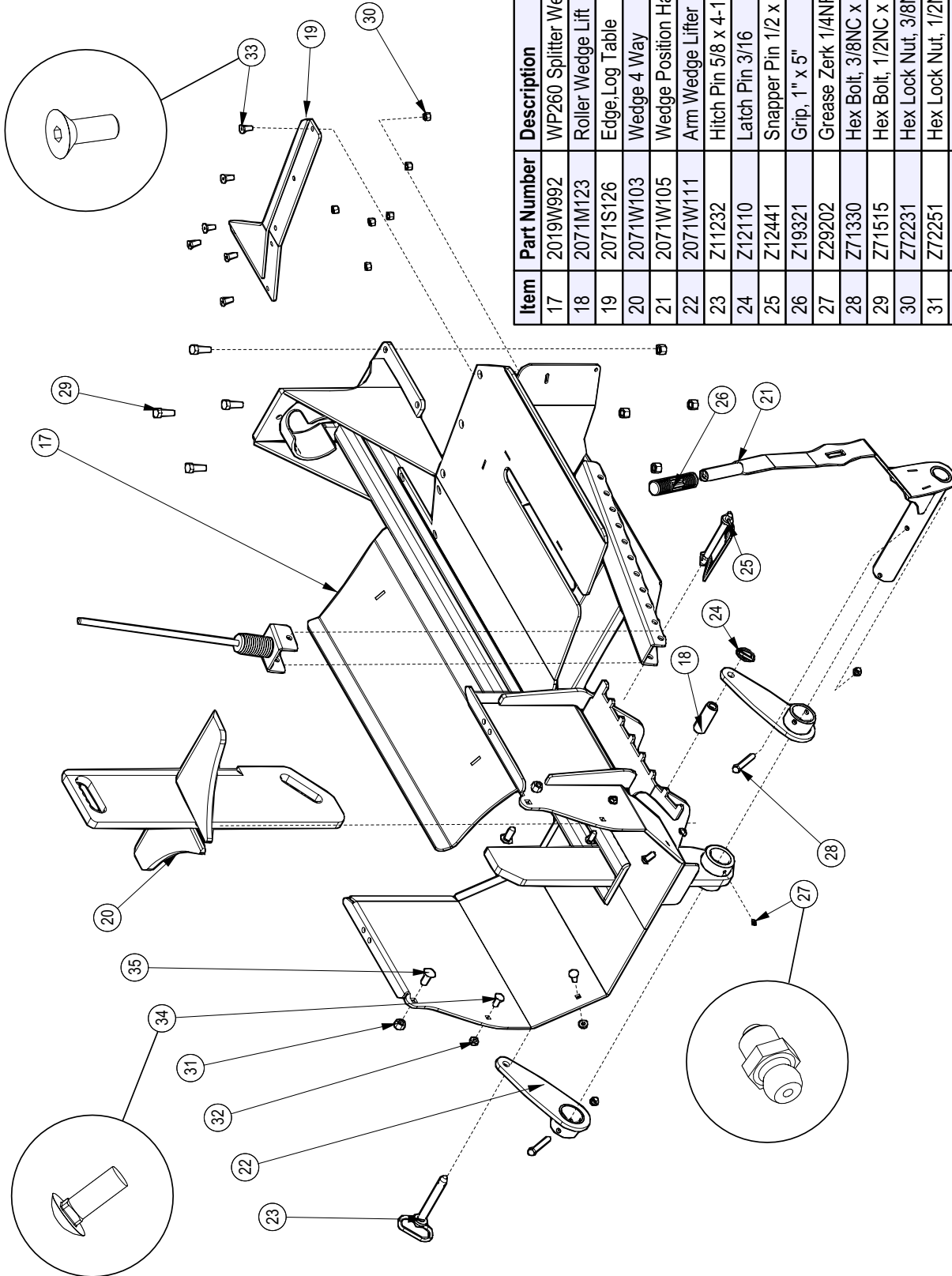
Splitter Chute Assy



Item	Part Number	Description	Qty
1	2019W993	Chute, Extension	1
2	2071L188	Plate, Spring Mount	1
3	2071W104	Splitter Chute	1
5	2071W114	Chute Adjuster	1
6	Z11232	Hitch Pin 5/8 x 4-1/4	2
7	Z12110	Latch Pin 3/16	2
8	Z19909	Rubber Bumper 7/16 x 1	4

Item	Part Number	Description	Qty
9	Z34203	Gas Spring, 10mm x 8.44 Stroke	1
10	Z34204	Ball Stud 13mm x 5/16	2
12	Z72221	Hex Lock Nut, 5/16NC	2
14	Z72251	Hex Lock Nut, 1/2NC	2
15	Z76121	Flange Bolt, 5/16NC x 3/4	3
16	Z76259	Carriage Bolt, 1/2NC x 1-1/4	2

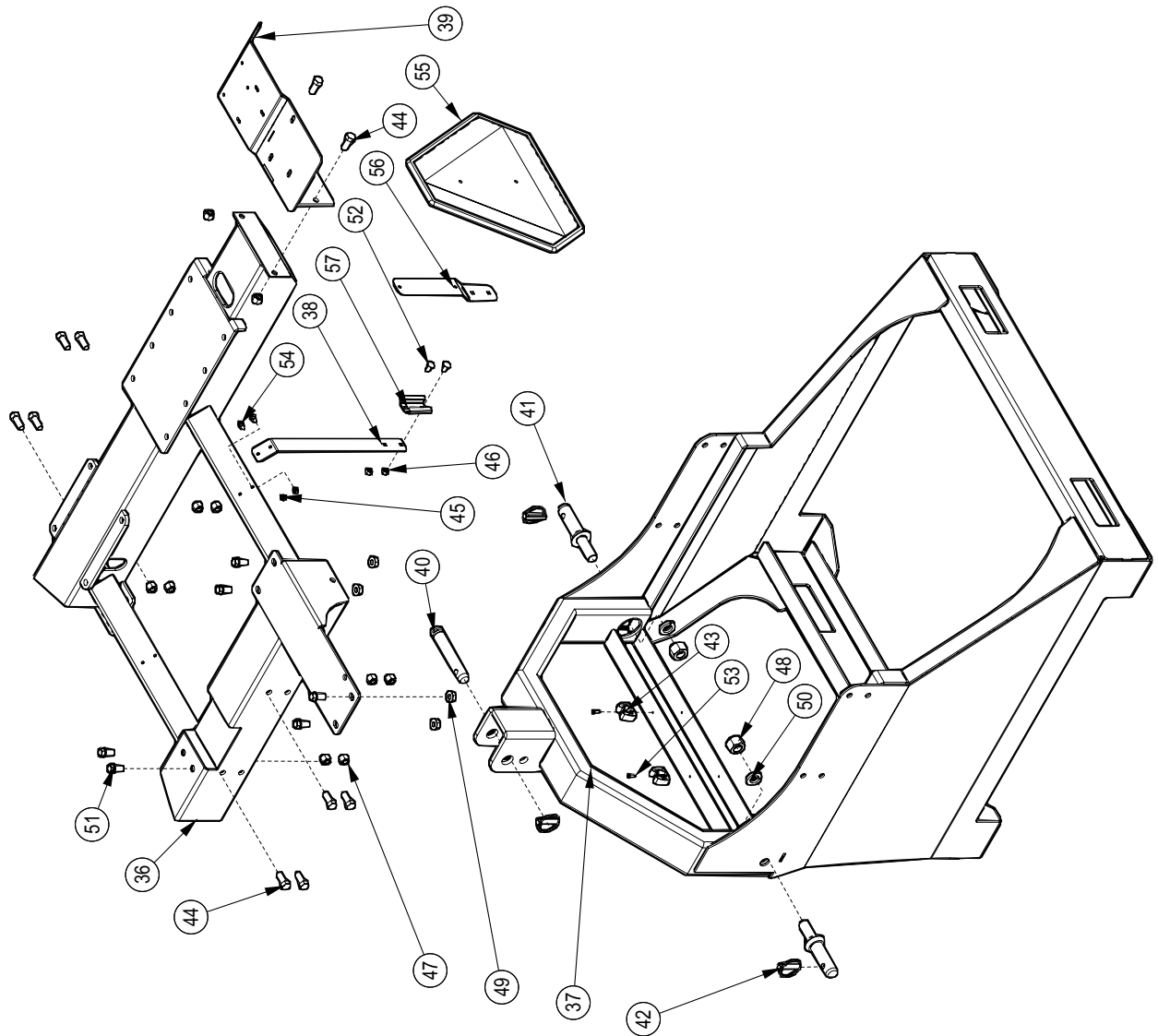
Splitter Cradle Ass'y



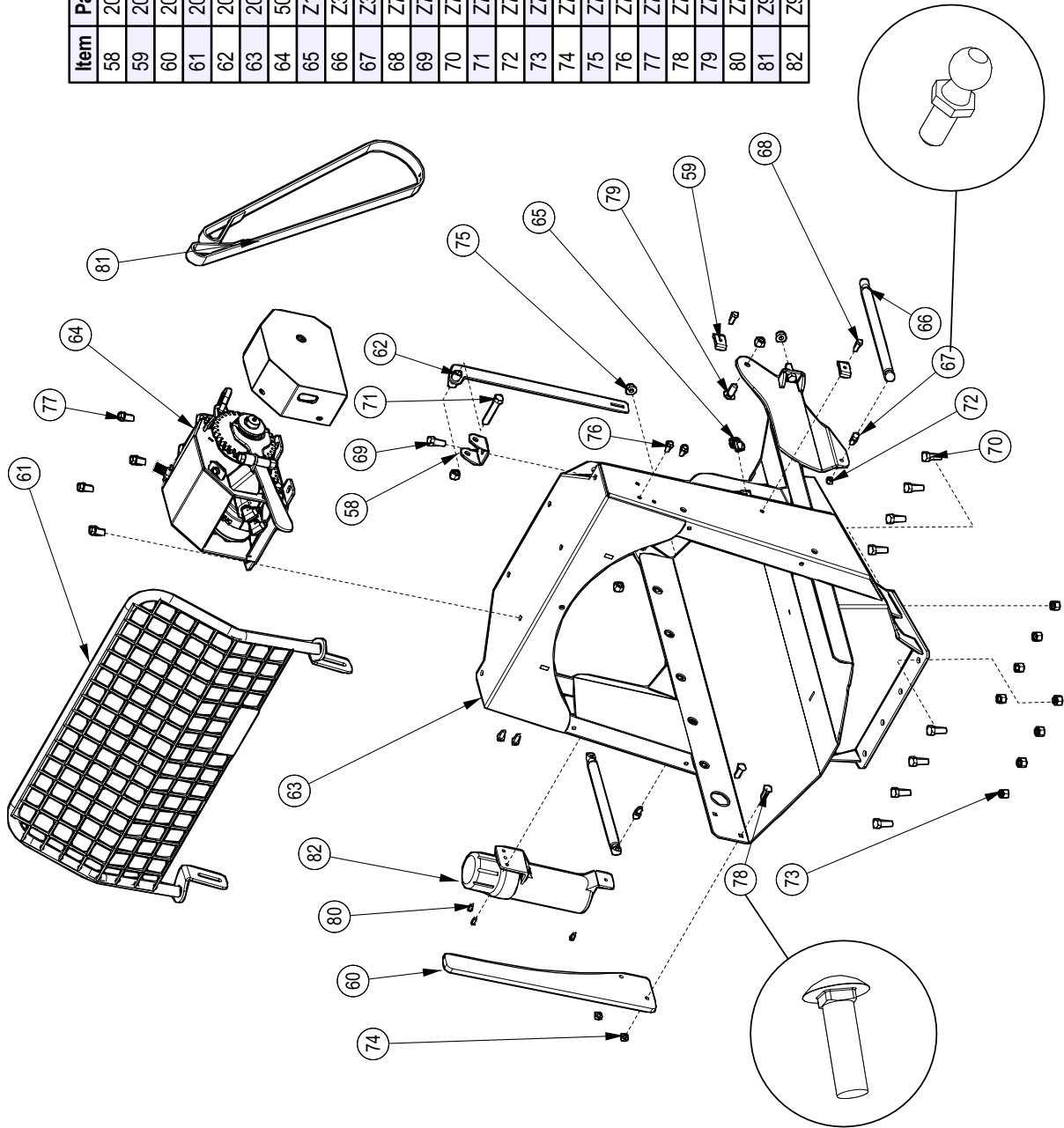
Item	Part Number	Description	Qty
17	2019W992	WP260 Splitter Weldment	1
18	2071M123	Roller Wedge Lift	1
19	2071S126	Edge, Log Table	1
20	2071W103	Wedge 4 Way	1
21	2071W105	Wedge Position Handle	1
22	2071W111	Arm Wedge Lifter	2
23	Z11232	Hitch Pin 5/8 x 4-1/4	1
24	Z12110	Latch Pin 3/16	1
25	Z12441	Snapper Pin 1/2 x 4-1/2	1
26	Z19321	Grip, 1" x 5"	1
27	Z29202	Grease Zerk 1/4NF	1
28	Z71330	Hex Bolt, 3/8NC x 3	2
29	Z71515	Hex Bolt, 1/2NC x 1-1/2	4
30	Z72231	Hex Lock Nut, 3/8NC	8
31	Z72251	Hex Lock Nut, 1/2NC	5
32	Z72531	Flange Nut 3/8NC	4
33	Z75233	FHCS, 3/8NC x 1	6
34	Z76231	Carriage Bolt, 3/8NC x 1	4
35	Z76259	Carriage Bolt, 1/2NC x 1-1/4	2

Three Point Hitch Frame Ass'y

Item	Part Number	Description	Qty
36	2018W801	WP 3PH Frame Adapter	1
37	2018W802	WP 3PH Base	1
38	2019L922	SMV Post	1
39	2072W395	Valve Mount	1
40	Z11142	Toplink Pin, 1 x 4-5/16	1
41	Z11442	Implement Pin, 1-1/8 x 7/8NF	2
42	Z12140	Latch Pin 7/16	3
43	Z19907	3/4 - 1-1/8 Nylon coated Gripper clip	2
44	Z71512	Hex Bolt, 1/2NC x 1-1/4	10
45	Z72211	Hex Lock Nut, 1/4NC	2
46	Z72221	Hex Lock Nut, 5/16NC	2
47	Z72251	Hex Lock Nut, 1/2NC	10
48	Z72282	Hex Lock Nut, 7/8-14NF	2
49	Z72551	Flange Nut 1/2NC	4
50	Z73381	Lock Washer, 7/8	2
51	Z76153	Flange Bolt, 1/2NC x 1	6
52	Z76221	Carriage Bolt, 5/16NC x 3/4	2
53	Z76712	Self-tapping Screw #10	2
54	Z78301	Machine Screw, 1/4-20NC x 3/4	2
55	Z96601	Sign, SMV	1
56	Z96602	Spade - SMV	1
57	Z96605	SMV Spade & Socket	1

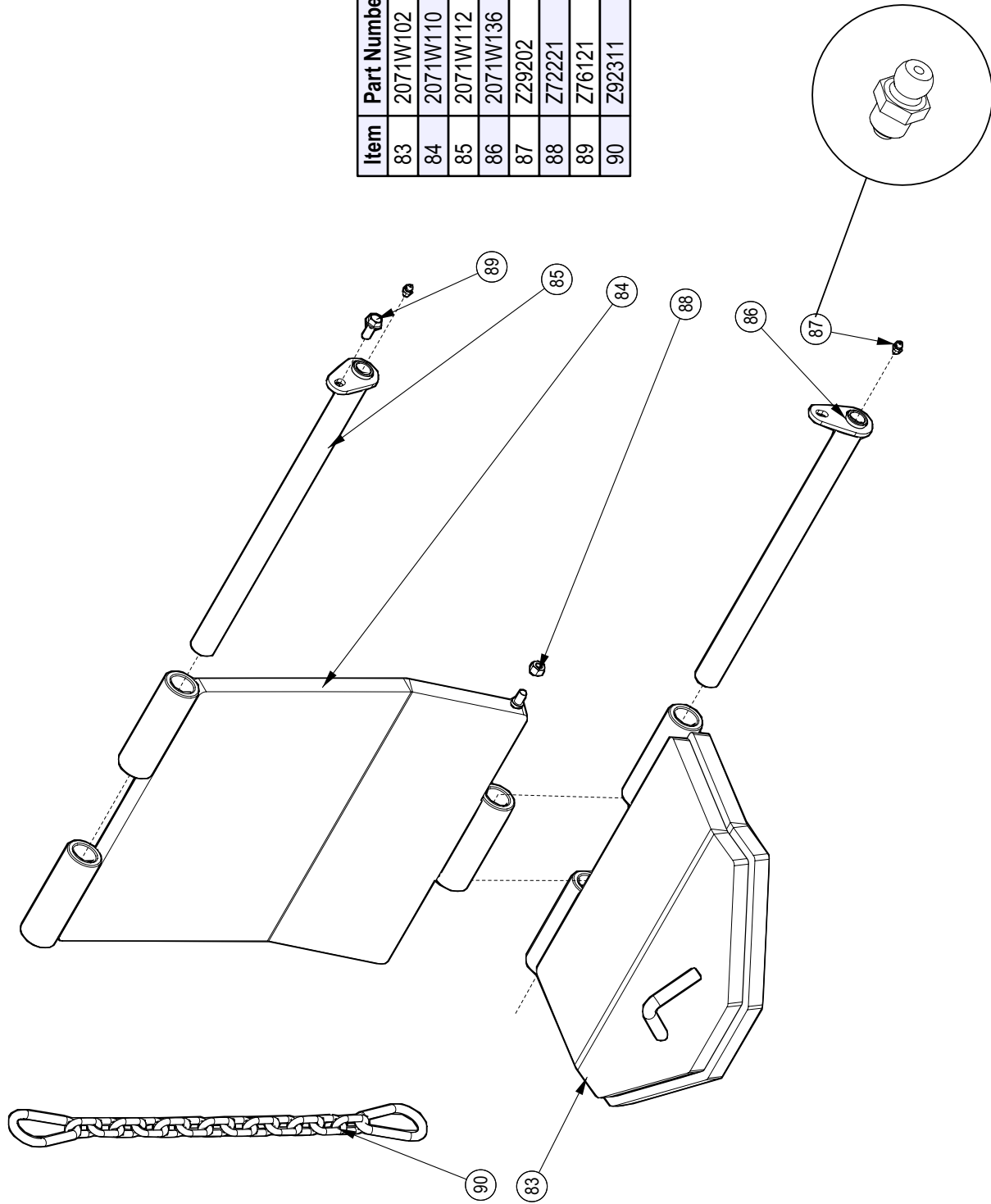


Log Chute Ass'y



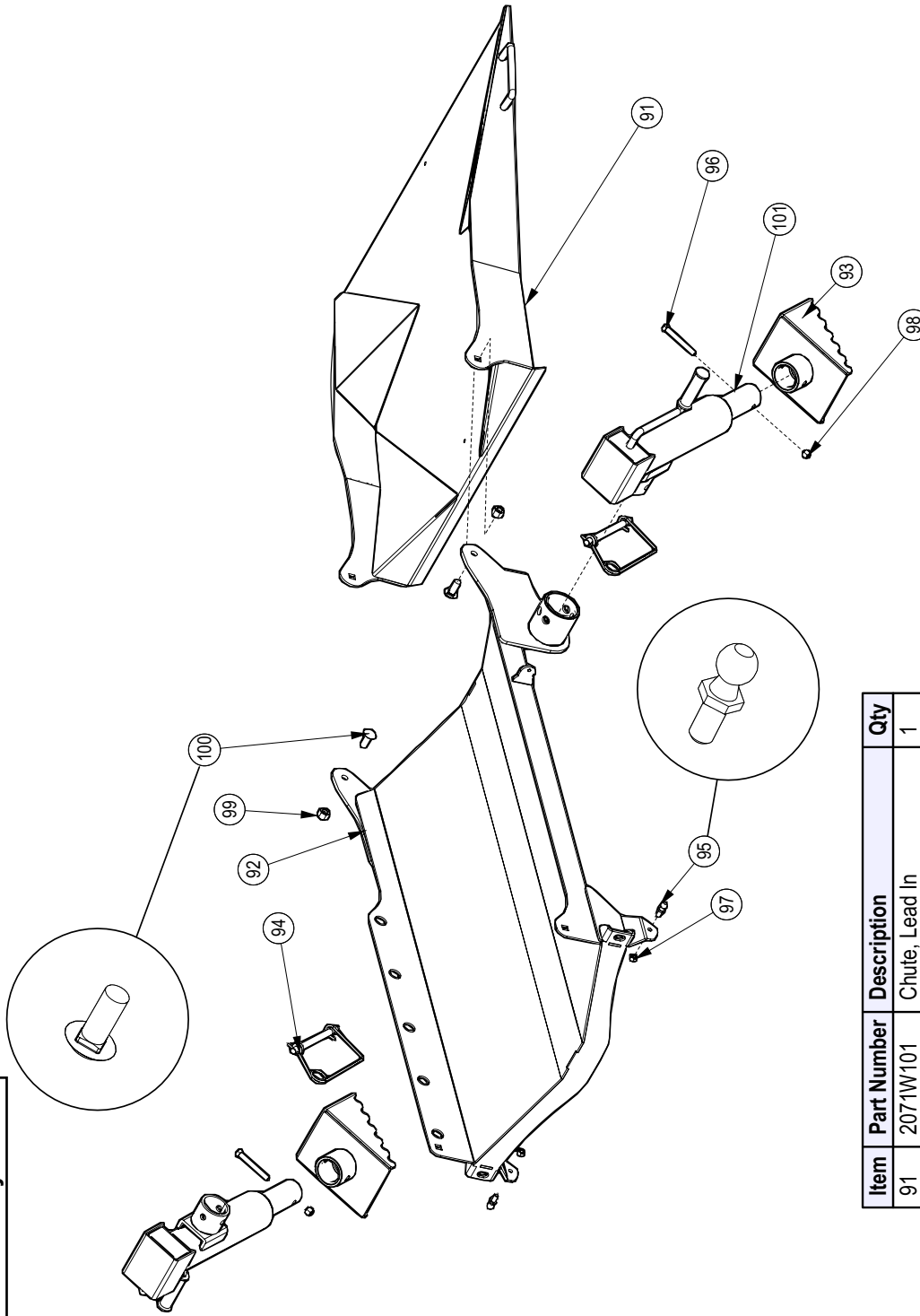
Item	Part Number	Description	Qty
58	2071L123	Clevis, Latch Mount	1
59	2071L504	Hose Clamp, 2x 1/4	2
60	2071S208	Saw Guide	1
61	2071W120	Winch Shield	1
62	2071W121	Arm, Log Chute Lock	1
63	2072W011	Chute, Log	1
64	5081A100	Hydraulic Winch Assembly	1
65	Z12110	Latch Pin 3/16	1
66	Z34203	Gas Spring, 10mm x 8.44 Stroke	2
67	Z34204	Ball Stud 13mm x 5/16	2
68	Z71210	Hex Bolt, 5/16NC x 1	2
69	Z71512	Hex Bolt, 1/2NC x 1-1/4	1
70	Z71515	Hex Bolt, 1/2NC x 1-1/2	8
71	Z71530	Hex Bolt, 1/2NC x 3	1
72	Z72221	Hex Lock Nut, 5/16NC	2
73	Z72251	Hex Lock Nut, 1/2NC	16
74	Z72531	Flange Nut 3/8NC	2
75	Z72551	Flange Nut 1/2NC	2
76	Z76121	Flange Bolt, 5/16NC x 3/4	4
77	Z76153	Flange Bolt, 1/2NC x 1	4
78	Z76232	Carriage Bolt, 3/8NC x 1-1/4	2
79	Z76259	Carriage Bolt, 1/2NC x 1-1/4	2
80	Z76712	Self-tapping Screw #10	3
81	Z92405	60" Winching Strap	1
82	Z96503	Manual Tube 3-1/2 Short	1

Log Hold Down Assembly



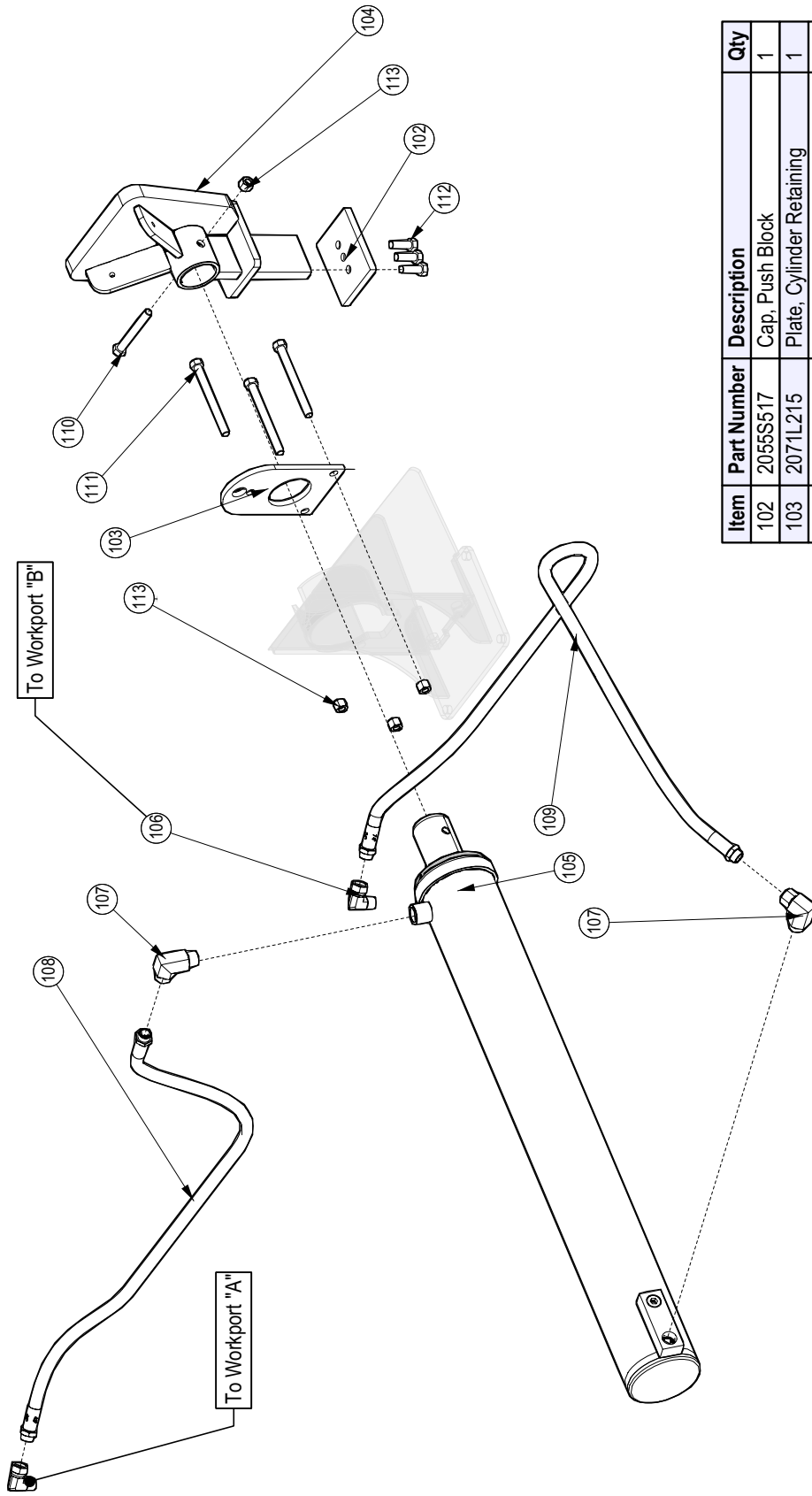
Item	Part Number	Description	Qty
83	2071W102	Hold Down Bottom	1
84	2071W110	Log Hold Down Long	1
85	2071W112	Pin, Log Hold Down	1
86	2071W136	Pin, Log Hold Down	1
87	Z29202	Grease Zerk 1/4NF	4
88	Z72221	Hex Lock Nut, 5/16NC	1
89	Z76121	Flange Bolt, 5/16NC x 3/4	1
90	Z92311	1/4" Chain x 21"	1

Lead In Chute Assembly



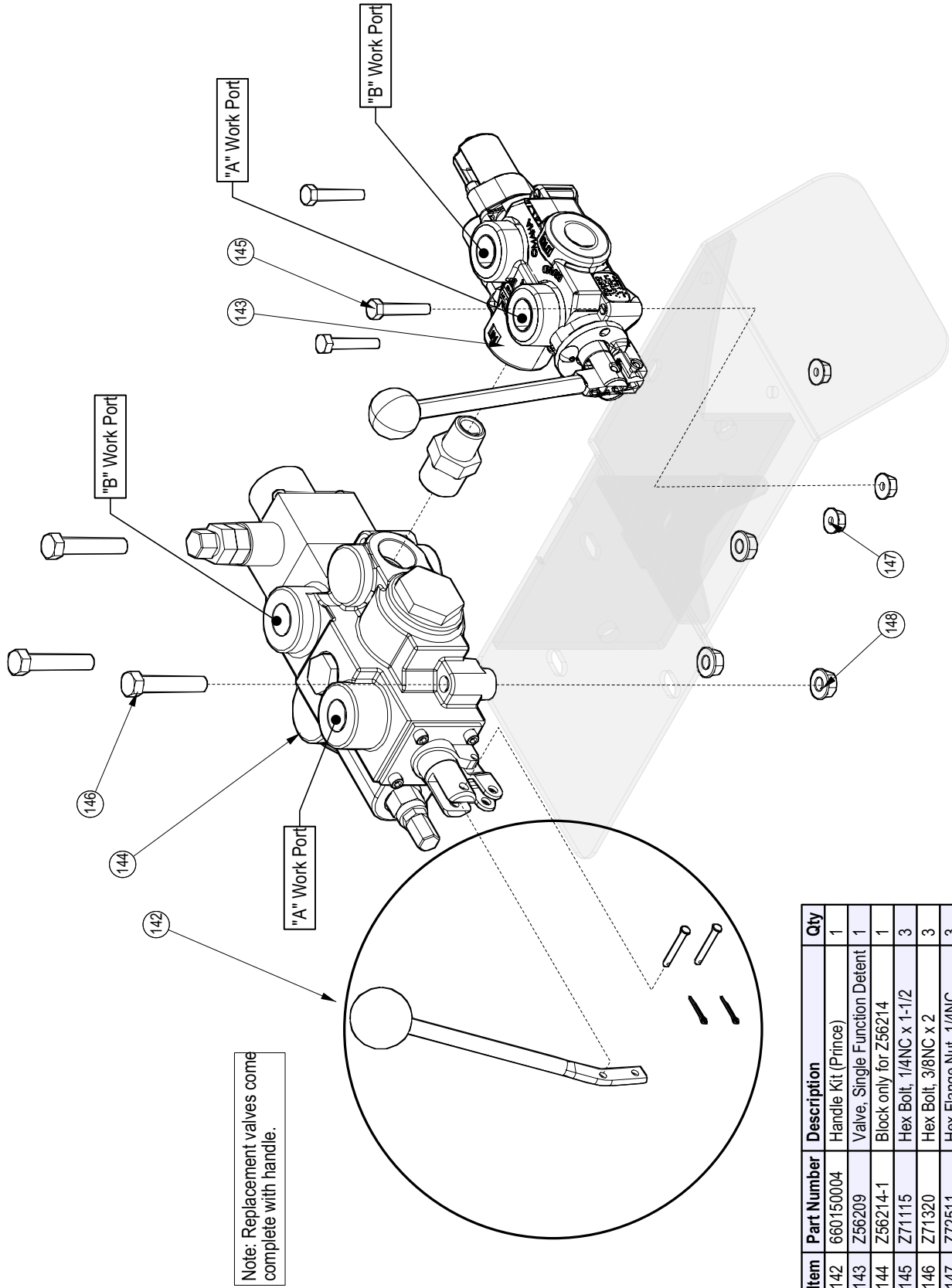
Item	Part Number	Description	Qty
91	2071W101	Chute, Lead In	1
92	2071W118	Chute, Bottom	1
93	2071W122	Foot, Jack	2
94	Z12441	Snapper Pin 1/2 x 4-1/2	2
95	Z34204	Ball Stud 13mm x 5/16	2
96	Z71330	Hex Bolt, 3/8NC x 3	2
97	Z72221	Hex Lock Nut, 5/16NC	2
98	Z72231	Hex Lock Nut, 3/8NC	2
99	Z72251	Hex Lock Nut, 1/2NC	2
100	Z76259	Carriage Bolt, 1/2NC x 1-1/4	2
101	Z91515	Side-Wind 10" Jack, No Foot	2

Hydraulic Splitter Ass'y



Item	Part Number	Description	Qty
102	2055S517	Cap, Push Block	1
103	2071L215	Plate, Cylinder Retaining	1
104	2071W109	Weldment, Hvy Push Block	1
105	2072C201	Cylinder, 4-1/2 x 36 x 2-1/2	1
106	Z51331	Elbow 90 MP x FFX 0808	2
107	Z51334	Elbow 90 MP x FFX 1208	2
108	Z52339	1/2 Hose, 1/2NPT x 1/2NPT x 43"	1
109	Z52341	1/2 Hose, MP08 x MP08 x 74"	1
110	Z71540	Hex Bolt, 1/2NC x 4	1
111	Z71555	Hex Bolt, 1/2NC x 5-1/2	3
112	Z71576G8	Hex Bolt, 1/2NF x 1-1/2 Gr8	3
113	Z72251	Hex Lock Nut, 1/2NC	4

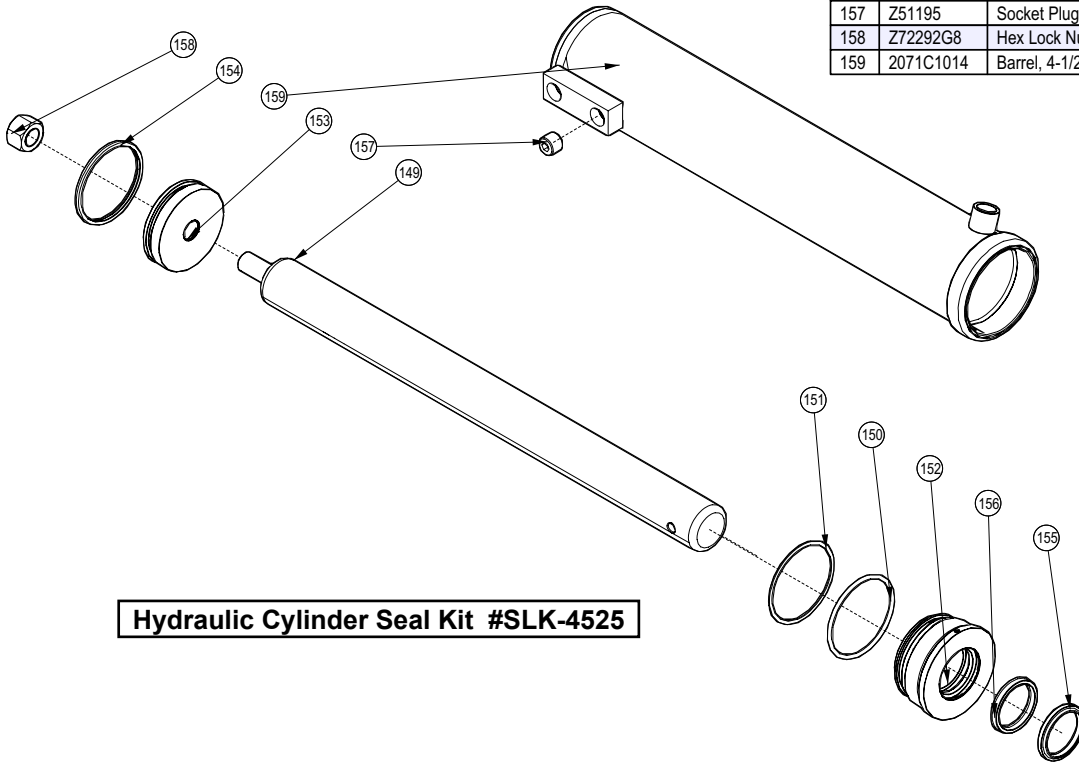
Hydraulic Valves



Item	Part Number	Description	Qty
142	660150004	Handle Kit (Prince)	1
143	Z56209	Valve, Single Function Detent	1
144	Z56214-1	Block only for Z56214	1
145	Z71115	Hex Bolt, 1/4NC x 1-1/2	3
146	Z71320	Hex Bolt, 3/8NC x 2	3
147	Z72511	Hex Flange Nut, 1/4NC	3
148	Z72531	Flange Nut 3/8NC	3

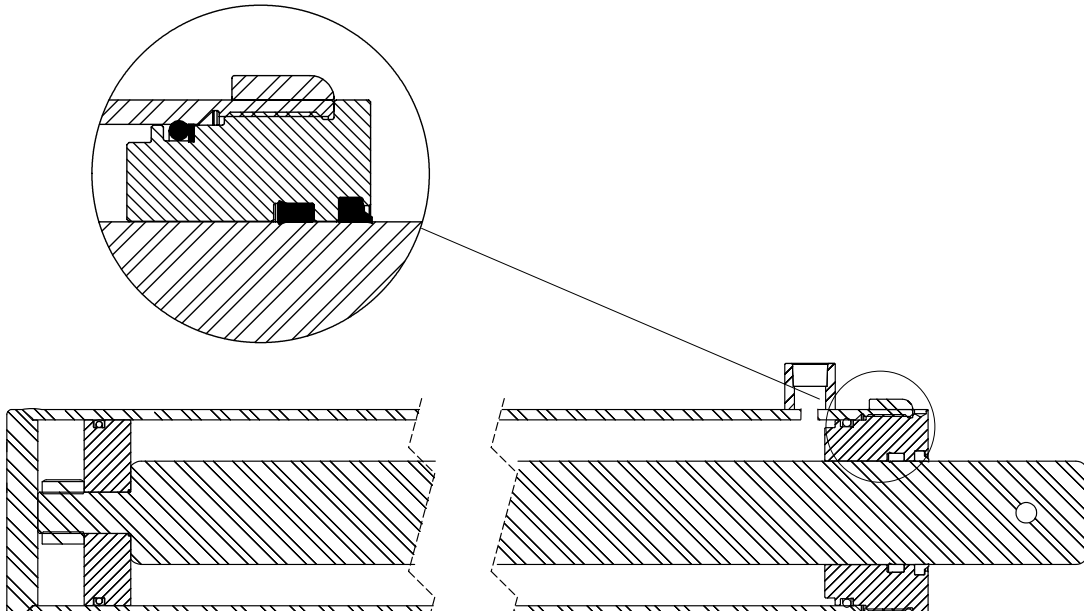
Hydraulic Cylinder

Item	Part Number	Description	Qty
149	2071C1012	Rod, 2-1/2x 1	1
150	568-346	4-1/2"OD X 1/8" CROSS SECTION O-RING	1
151	575-346	4-1/2" Back-Up Ring	1
152	G450-250S	4-1/2" X 2-1/2" GLAND	1
153	P100-450SP	4-1/2" BORE PISTON	1
154	PSC-346	4-1/2" Double Acting Piston Seal	1
155	ST-250	2-1/2" Rod Wiper	1
156	UI8-250-37B	2-1/2" X 2-7/8" X 3/8" U-CUP	1
157	Z51195	Socket Plug MP12	1
158	Z72292G8	Hex Lock Nut, 1-12NF Gr8	1
159	2071C1014	Barrel, 4-1/2"	1

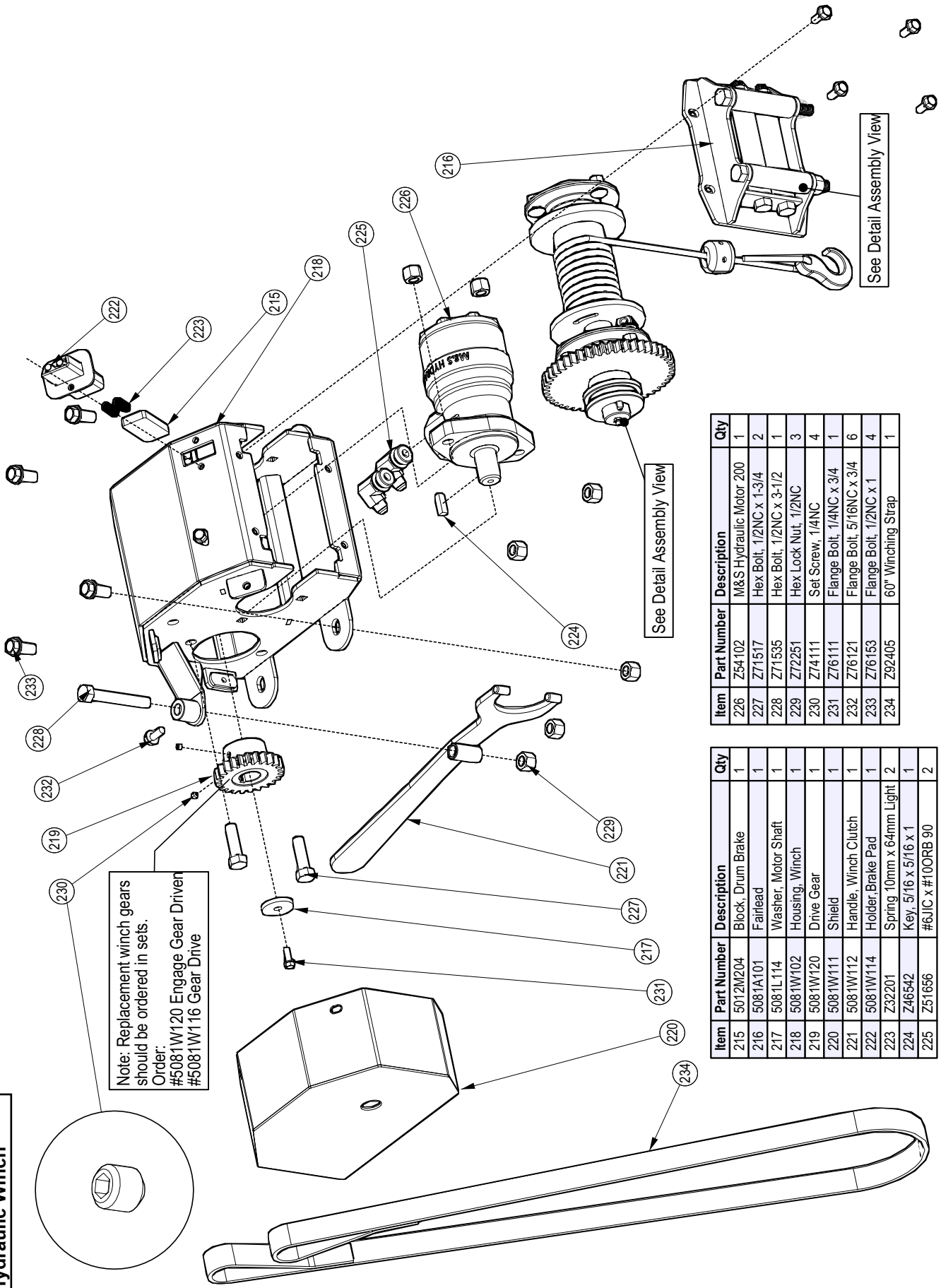


Hydraulic Cylinder Seal Kit #SLK-4525

VIEW SHOWS PROPER SEAL ORIENTATION



Hydraulic Winch



Note: Replacement winch gears should be ordered in sets.
 Order:
 #5081W120 Engage Gear Drive
 #5081W116 Gear Drive

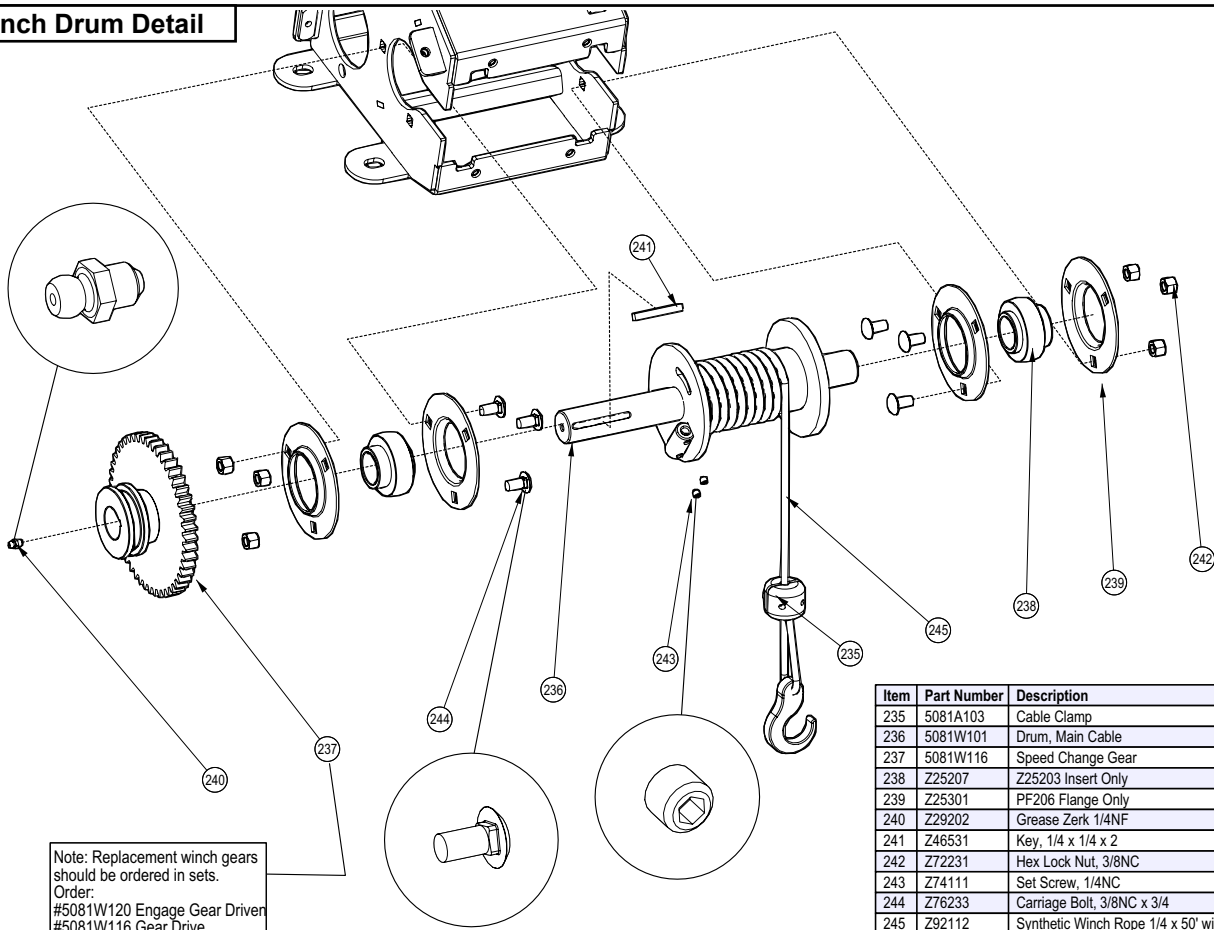
See Detail Assembly View

See Detail Assembly View

Item	Part Number	Description	Qty
	Z64-102	M&S Hydraulic Motor 200	1
226	Z71517	Hex Bolt, 1/2NC x 1-3/4	2
227	Z71535	Hex Bolt, 1/2NC x 3-1/2	1
228	Z72251	Hex Lock Nut, 1/2NC	3
229	Z74111	Set Screw, 1/4NC	4
230	Z76111	Flange Bolt, 1/4NC x 3/4	1
231	Z76121	Flange Bolt, 5/16NC x 3/4	6
232	Z76153	Flange Bolt, 1/2NC x 1	4
233	Z92405	60" Winching Strap	1

Item	Part Number	Description	Qty
	5012M204	Block, Drum Brake	1
215	5081A101	Fairlead	1
216	5081L114	Washer, Motor Shaft	1
217	5081W102	Housing, Winch	1
218	5081W120	Drive Gear	1
219	5081W111	Shield	1
220	5081W112	Handle, Winch Clutch	1
221	5081W114	Holder, Brake Pad	1
222	Z32201	Spring 10mm x 64mm Light	2
223	Z46542	Key, 5/16 x 5/16 x 1	1
224	Z51656	#6JIC x #10ORB 90	2

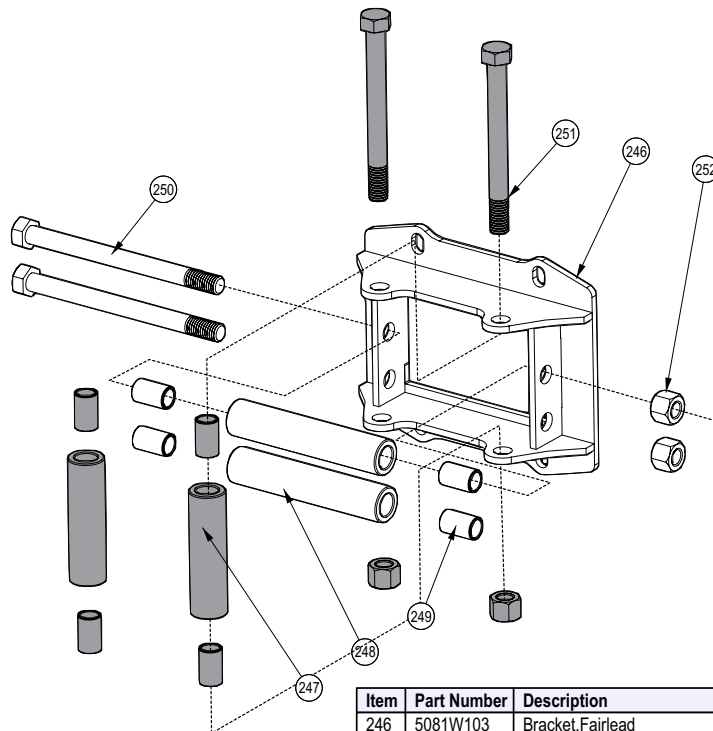
Winch Drum Detail



Note: Replacement winch gears should be ordered in sets.
Order:
#5081W120 Engage Gear Drive
#5081W116 Gear Drive

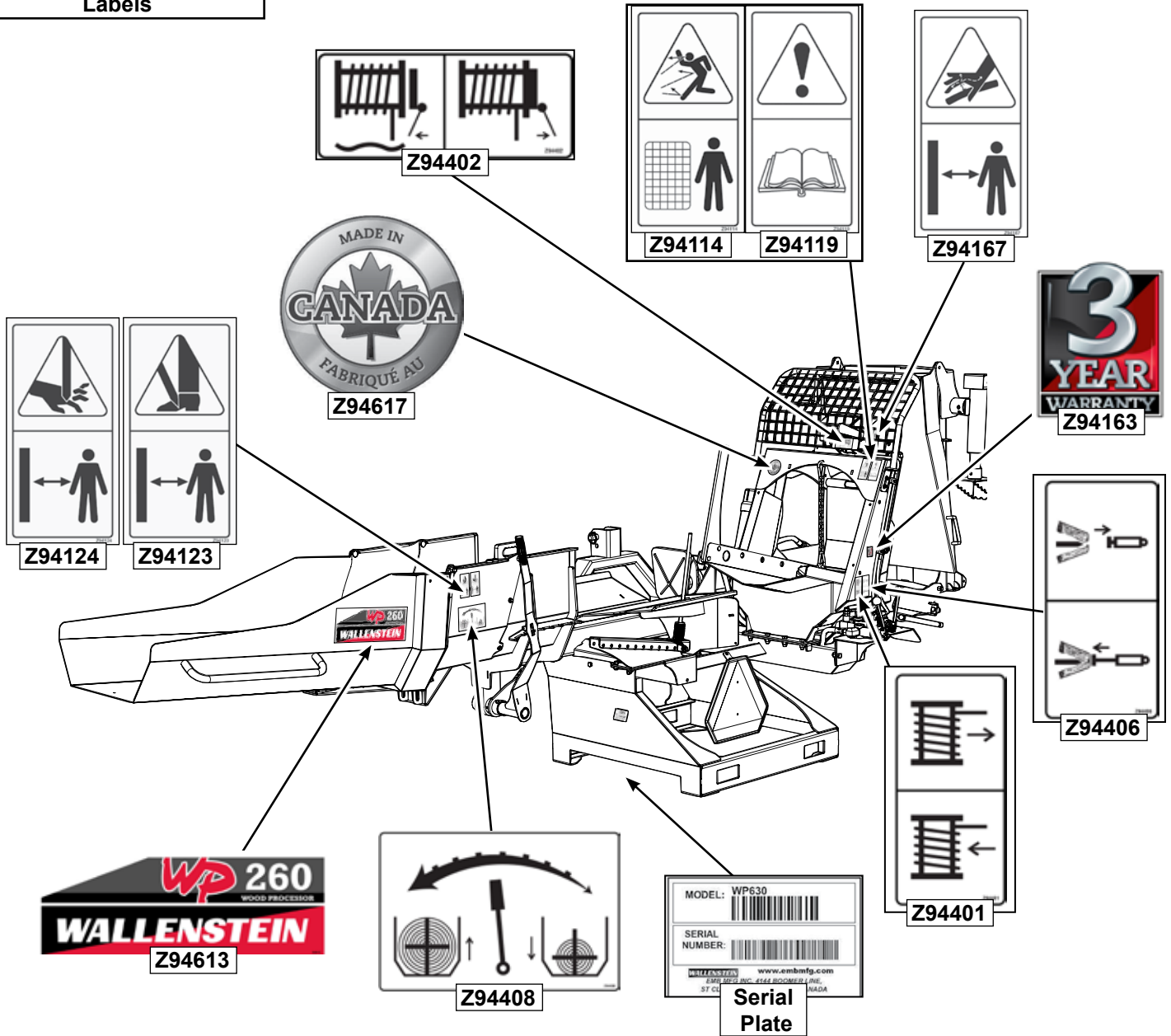
Item	Part Number	Description	Qty
235	5081A103	Cable Clamp	1
236	5081W101	Drum, Main Cable	1
237	5081W116	Speed Change Gear	1
238	Z25207	Z25203 Insert Only	2
239	Z25301	PF206 Flange Only	4
240	Z29202	Grease Zerk 1/4NF	1
241	Z46531	Key, 1/4 x 1/4 x 2	1
242	Z72231	Hex Lock Nut, 3/8NC	6
243	Z74111	Set Screw, 1/4NC	2
244	Z76233	Carriage Bolt, 3/8NC x 3/4	6
245	Z92112	Synthetic Winch Rope 1/4 x 50' with Hook	1

Winch Fairlead Detail

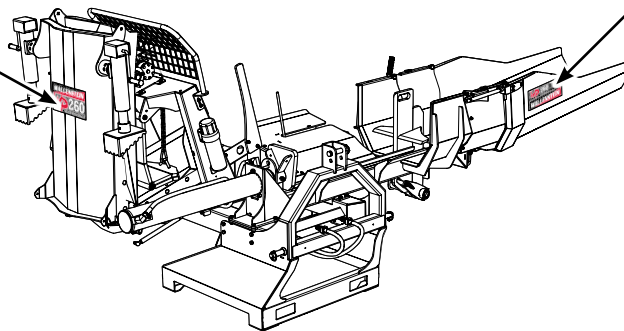


Item	Part Number	Description	Qty
246	5081W103	Bracket, Fairlead	1
247	5081M109	Bushing, Fairlead Side	2
248	5081M111	Bushing, Fairlead Top	2
249	Z27103	Fiberglide Bearing 1/2" x 1"	8
250	Z71566	Hex Bolt, 1/2NC x 6-1/4, 5-1/4 Shank	2
251	Z71567	Hex Bolt, 1/2NC x 5, 4" Shank	2
252	Z72251	Hex Lock Nut, 1/2NC	4

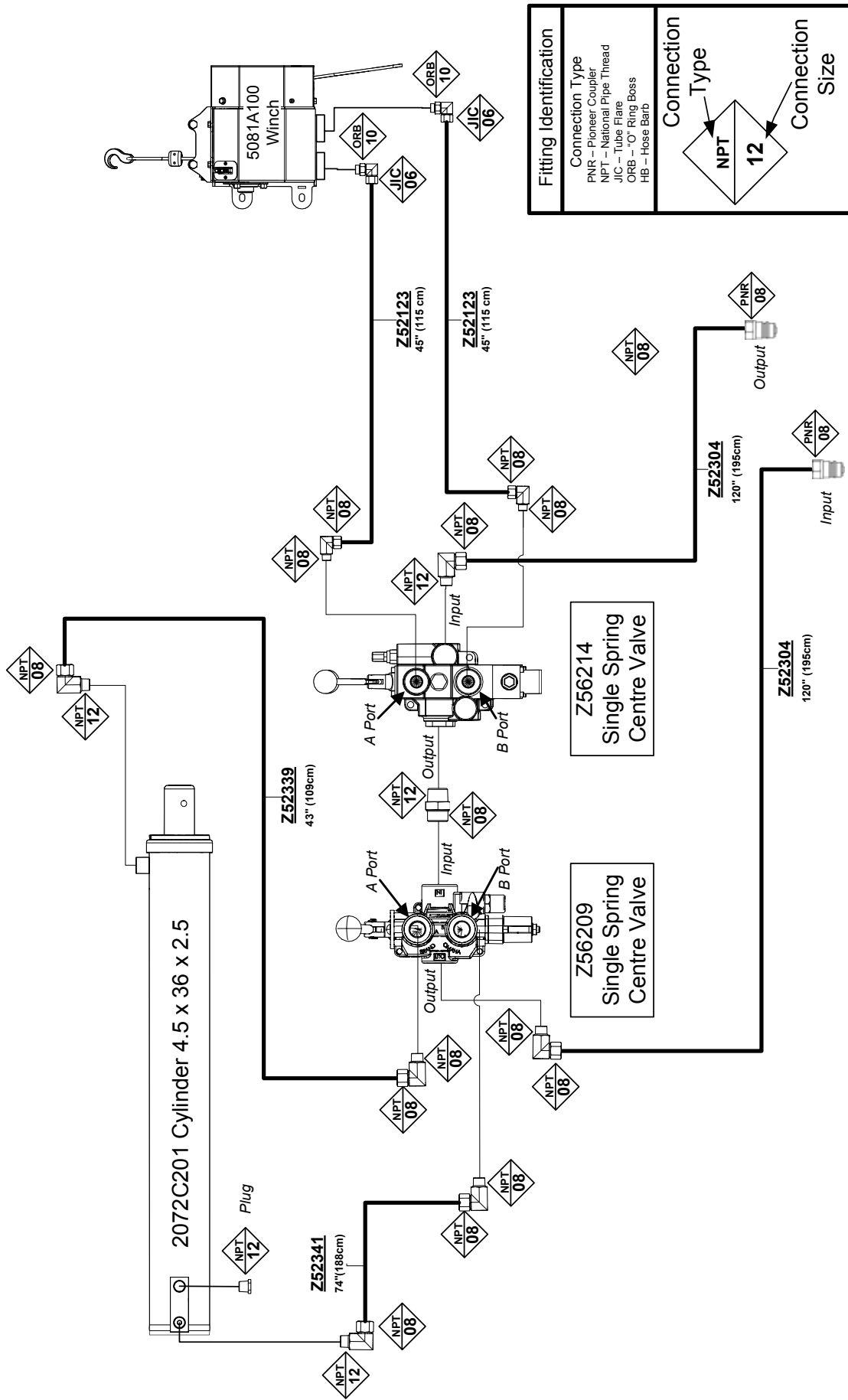
Labels



REMEMBER - If safety signs have been damaged, removed, become illegible or parts replaced without safety signs, new signs must be applied. New safety signs are available from your authorized dealer.



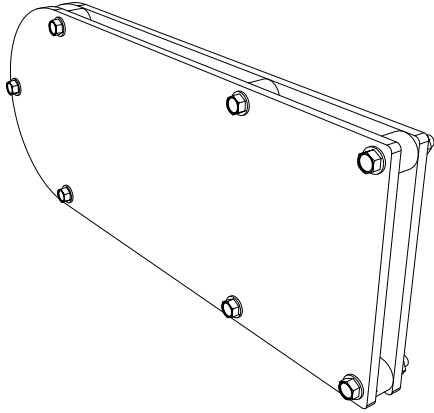
Hydraulic Schematic



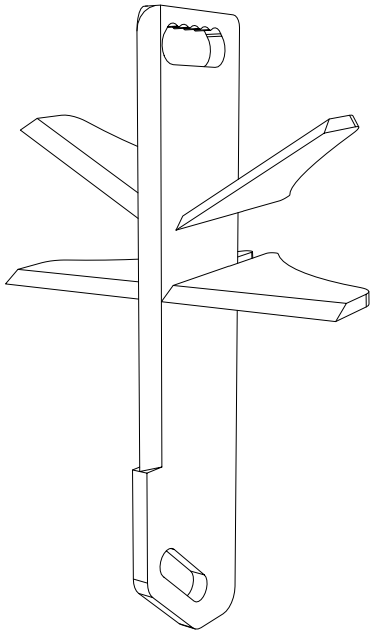
Fitting Identification	
Connection Type	
PNR – Pioneer Coupler	
NPT – National Pipe Thread	
JIC – Tube Flare	
ORB – "O" Ring Boss	
HB – Hose Barb	

Connection	
Type	NPT
Size	12

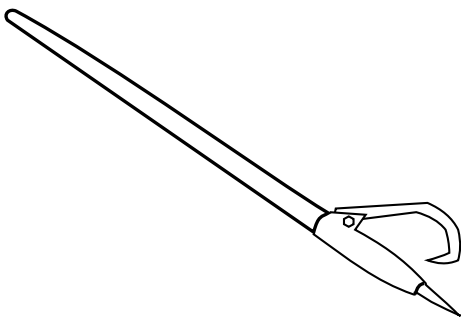
Accessories



#2089A570 NYLON CHAINSAW HOLSTER



#2089W571 6-WAY WEDGE



#299001 48" LOG PEAVEY

Manual



797063

Available as a download at
www.embmfg.com

