



WX960 Trailer Log Splitter Parts Manual

Prior to S/N 29606



Foreword

EMB Mfg. has prepared this parts manual to assist customers in ordering quality OEM replacement parts.

Proper and regular service and replacing old, worn or broken parts with the correct Wallenstein parts are essential to prolonging the life of your Wallenstein product. Please refer to this manual before ordering any replacement parts.

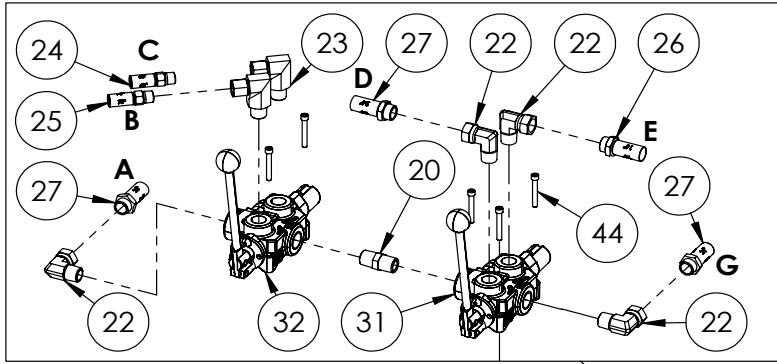
All information contained in this parts manual is based on the latest product specification available at the time of printing this manual. If your product differs from the specifications contained within this manual contact EMB Mfg. for information.

EMB reserves the right to alter specifications on their products at any time.

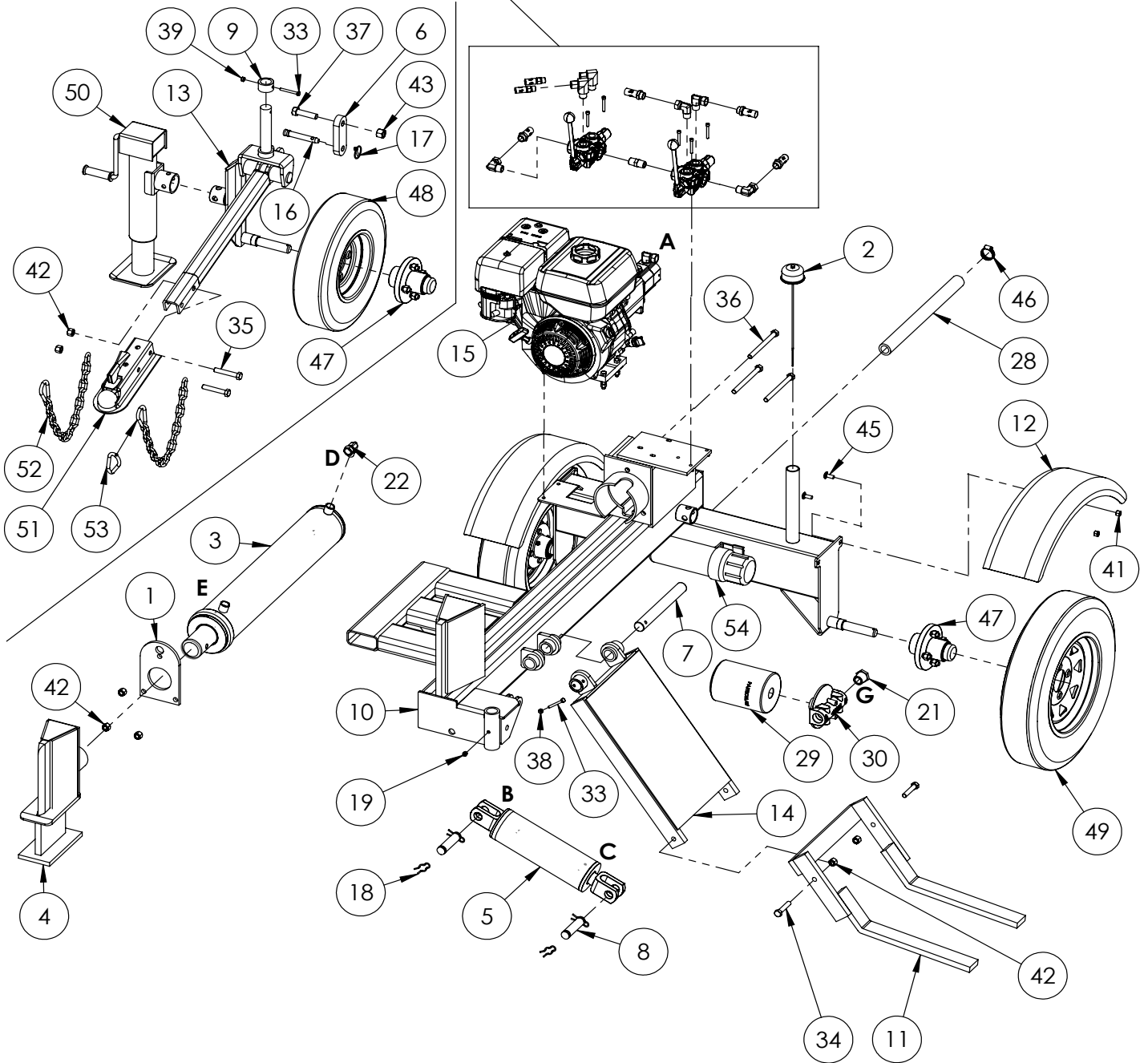
Reproduction of this parts manual of any kind is prohibited without prior written permission from EMB Mfg.

Table of Contents

| | |
|------------------------|----|
| Main Parts | 4 |
| Sliding Wedge | 6 |
| Valve | 7 |
| Hub | 8 |
| Cylinder | 9 |
| Engine & Pump | 10 |
| 4-Way Wedge (Optional) | 11 |
| Light Kit (Optional) | 12 |
| Decal Breakdown | 14 |

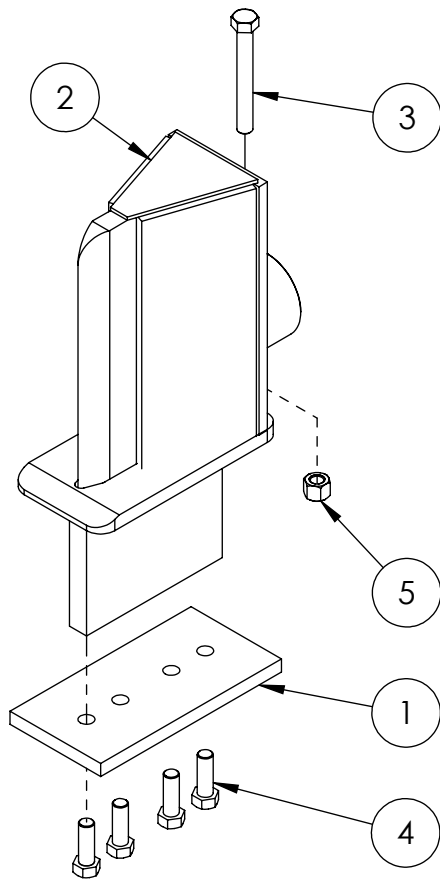


LETTERS DENOTE HOSE ROUTING CONNECTIONS



WX960 PARTS BREAKDOWN

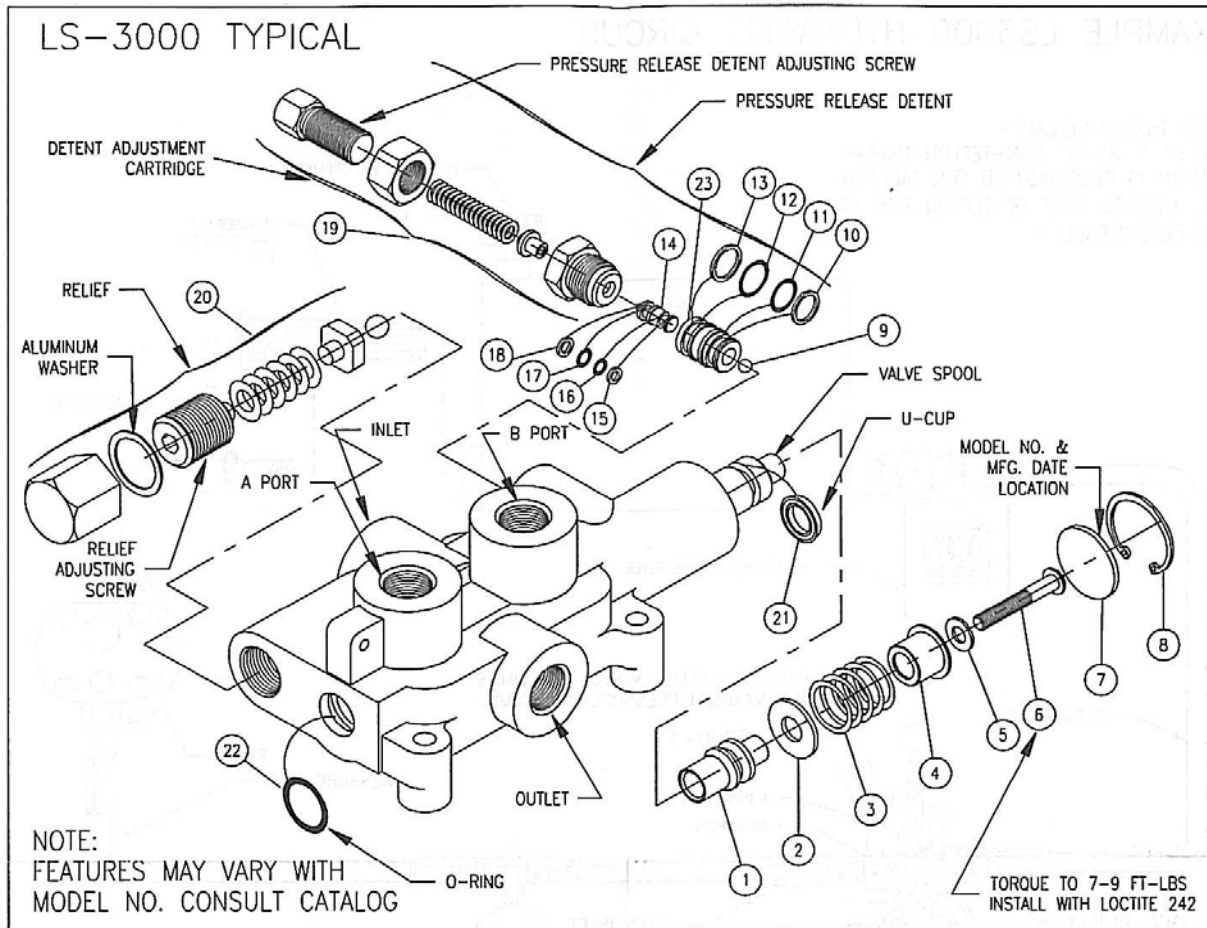
| ITEM | PART NO. | DESCRIPTION | QTY |
|------|----------|---------------------------------|-----|
| 1 | 2032S213 | Plate, Cylinder Retaining | 1 |
| 2 | 2054A402 | Breather cap dipstick | 1 |
| 3 | 2035C521 | Cylinder, 4-1/2 x 36 x 2-1/2 | 1 |
| 4 | 2032A202 | Wedge, Large Sliding Assy | 1 |
| 5 | 2058C801 | Cylinder, 3-1/2 x 8 X 1-1/2 | 1 |
| 6 | 2058L809 | Lock Link | 1 |
| 7 | 2058M815 | Pin, Shelf Pivot | 1 |
| 8 | 2058M816 | Pin, Log Table Cylinder | 2 |
| 9 | 2058M819 | Bushing, Pivot with Hole | 1 |
| 10 | 2059W902 | Weldment, Main Trailer | 1 |
| 11 | 2059W910 | Weldment, Log Arm | 1 |
| 12 | 2058W811 | Weldment, Fender | 2 |
| 13 | 2058W812 | Weldment, Front Tire | 1 |
| 14 | 2059W913 | Weldment, Lift Shelf | 1 |
| 15 | 2061A103 | Assy, 9hp Engine to 16gpm Pump | 1 |
| 16 | Z11111 | Toplink Pin 5/8 x 2-3/4 | 1 |
| 17 | Z12110 | Latch Pin 3/16 | 1 |
| 18 | Z12271 | Securing Pin, 1/8 | 4 |
| 19 | Z29201 | Grease Fitting, 1/8NPT | 2 |
| 20 | Z51122 | Nipple, MP x MP 0808 | 1 |
| 21 | Z51223 | Reducer, MP x FP 1608 | 1 |
| 22 | Z51331 | Elbow 90 MP x FPX 0808 | 5 |
| 23 | Z51332 | Elbow 90 MP x FPX 0806 | 2 |
| 24 | Z52233 | 3/8 Hose, MP06 x MP06 x 63" | 1 |
| 25 | Z52234 | 3/8 Hose, MP06 x MP06 x 70" | 1 |
| 26 | Z52301 | 1/2 Hose MP08 x MP08 x 16" | 1 |
| 27 | Z52303 | 1/2 Hose, MP08 x MP08 x 36" | 3 |
| 28 | Z52404 | Suction Hose, 1" x 18" | 1 |
| 29 | Z55303 | Oil Filter - 1" - Particulate | 1 |
| 30 | Z55304 | Filter Cap, FP16 x FP16 | 1 |
| 31 | Z56209 | Valve, Single Function Detent | 1 |
| 32 | Z56211 | Valve, Single Function | 1 |
| 33 | Z71122 | Hex Bolt 1/4NC x 2-1/4 | 2 |
| 34 | Z71525 | Hex Bolt 1/2NC x 2-1/2 | 2 |
| 35 | Z71530 | Hex Bolt 1/2NC x 3 | 2 |
| 36 | Z71560 | Hex Bolt 1/2NC x 6 | 3 |
| 37 | Z71625 | Hex Bolt, 5/8NC x 2-1/2 | 1 |
| 38 | Z72111 | Hex Lock Nut 1/4NC | 1 |
| 39 | Z72111 | Hex Lock Nut 1/4NC | 7 |
| 40 | Z72221 | Hex Lock Nut 5/16NC | 1 |
| 41 | Z72231 | Hex Lock Nut 3/8NC | 4 |
| 42 | Z72251 | Hex Lock Nut 1/2NC | 7 |
| 43 | Z72261 | Hex Lock Nut 5/8NC | 1 |
| 44 | Z75114 | SHCS, 1/4NC x 1-3/4 | 6 |
| 45 | Z76231 | Carriage Bolt 3/8NC x 1 | 4 |
| 46 | Z79401 | Hose Clamp, #16 | 2 |
| 47 | Z91202 | Assembly, 1000# 4-Bolt Hub | 3 |
| 48 | Z91301 | 4.80-8 LRB SportTrail | 1 |
| 49 | Z91302 | 5.30-12 LRB SportTrail 4 Spoked | 2 |
| 50 | Z91512 | Side-Wind 10" Swivel Jack | 1 |
| 51 | Z91614 | 2" Hitch Coupler | 1 |
| 52 | Z92303 | Safety Chain 1/4 x 2' | 2 |
| 53 | Z92303-2 | Safety Snap | 2 |
| 54 | Z96503 | Manual Tube 3-1/2 Short | 1 |



2032A202 SLIDING WEDGE PARTS BREAKDOWN

| ITEM | PART NO. | Description | QTY. |
|------|----------|------------------------------|------|
| 1 | 2014S414 | Plate, Sliding Wedge Capture | 1 |
| 2 | 2032W203 | Wedge, Large Sliding | 1 |
| 3 | Z71540 | Hex Bolt 1/2NC x 4 | 1 |
| 4 | Z71576 | Hex Bolt 1/2NF x 1-1/2 | 4 |
| 5 | Z72251 | Hex Lock Nut 1/2NC | 1 |

Z56203 Valve Breakdown



PLEASE NOTE:
BEFORE REMOVING VALVE SPOOL OR SPOOL SLEEVE REMOVE DETENT ADJUSTING CART., DETENT PISTON AND STEEL BALL. INSTALL SPOOL AND SPOOL SLEEVE BEFORE REINSTALLING STEEL BALL.

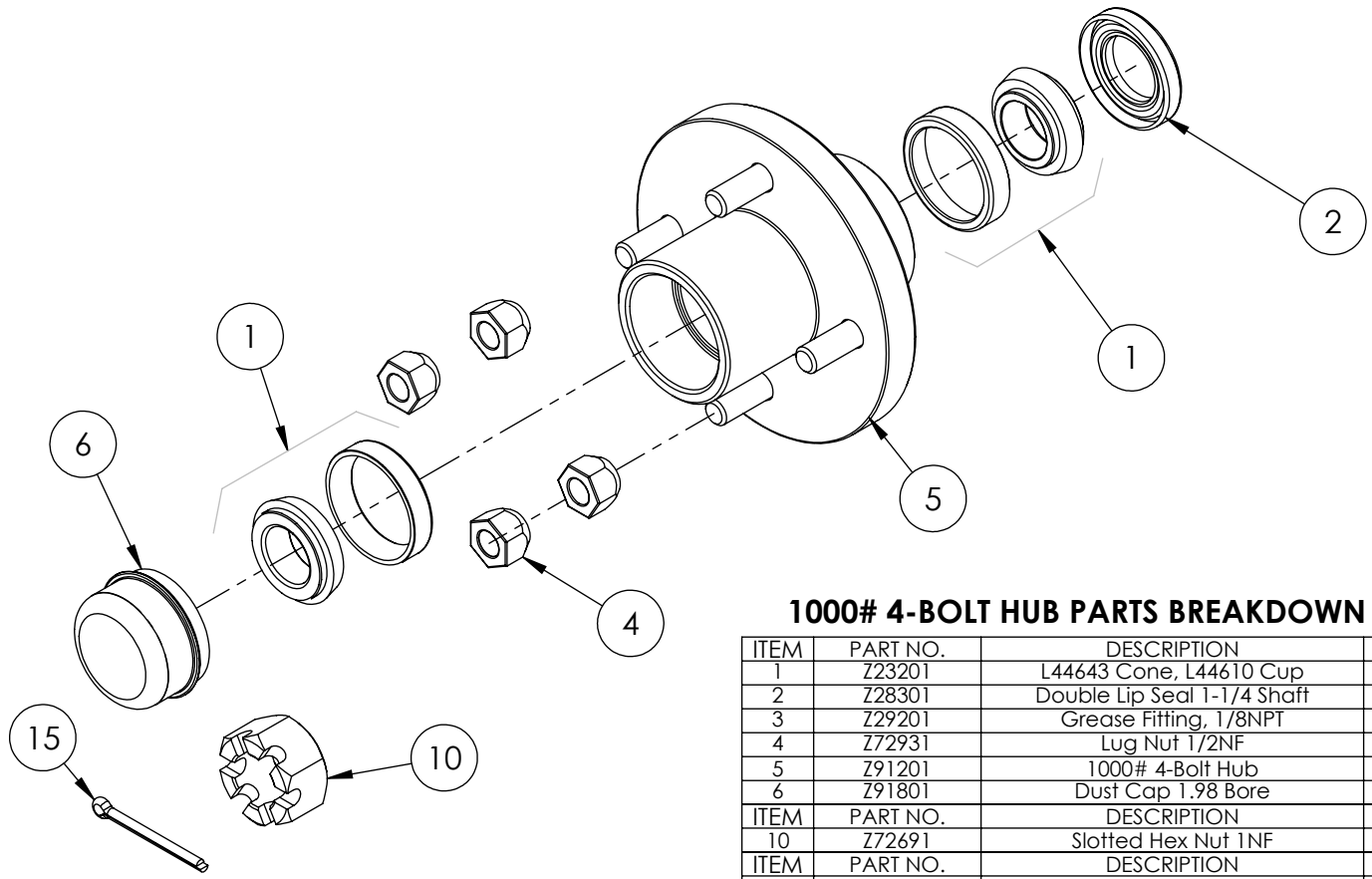
LS-3000 KITS AND CARTRIDGES

PRESSURE RELEASE DETENT
This feature provides a pressure release detent for the spool 'out' (handle in) position. When the spool is manually placed in the detent position oil is directed to the 'B' work port (the port away from the handle). When the pressure in the 'B' port reaches a preset level the detent will release and the spool will center. The factory setting is 1400 psi. The detent release pressure is adjustable by loosening the jam nut and turning the adjusting screw. Turning the adjusting screw clockwise will increase the detent release pressure and counterclockwise will decrease the detent release pressure. NOTE: if the detent release pressure is set too high the spool will not center, if the pressure is too low the detent will not hold. If cap screw item 6 becomes loose detent will not function properly.

RELIEF VALVE
An adjustable ball spring relief valve is standard on all LS-3000 valves. The standard factory setting is 2250 psi @ 3 gpm and 120°F. Other settings can be specified. The relief pressure is adjusted by removing acorn nut, and turning the adjusting screw. Turning the adjusting screw clockwise will increase the pressure and counterclockwise will decrease the pressure (a pressure gauge must be installed in the inlet line whenever the relief pressure is adjusted). Do not backout adjusting screw to the point it falls out.

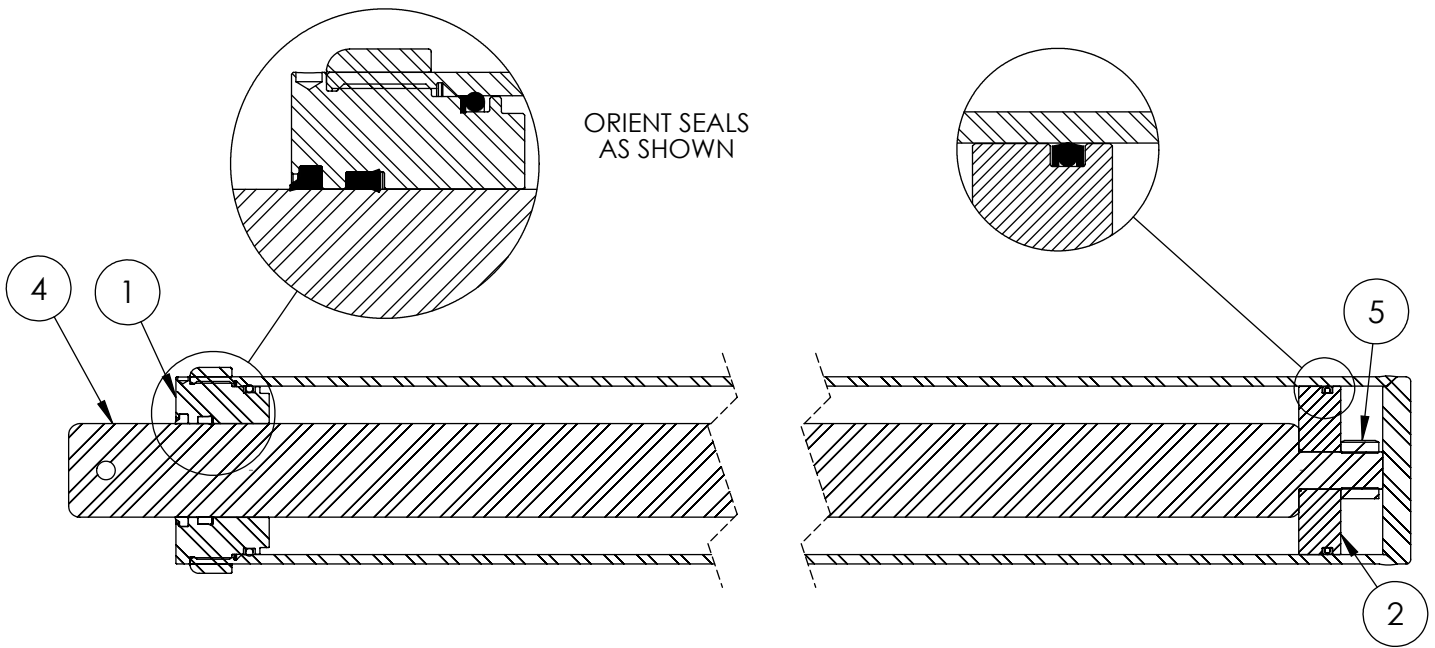
| ITEM | QTY | PART NO. | DESCRIPTION |
|------|-----|-----------|-----------------------------|
| 1 | 1 | 670700019 | DETENT SLEEVE |
| 2 | 1 | 670500033 | WASHER |
| 3 | 1 | 670300020 | SPRING |
| 4 | 1 | 671400010 | STOP CUP |
| 5 | 1 | 670500026 | WASHER |
| 6 | 1 | 220000953 | CAP SCREW |
| 7 | 1 | 670500032 | SPACER |
| 8 | 1 | 230001125 | SNAP RING |
| 9 | 1 | 230009009 | STEEL BALL |
| 10 | 1 | 240019013 | BACK-UP WASHER |
| 11 | 1 | 240000013 | O-RING |
| 12 | 1 | 240000014 | O-RING |
| 13 | 1 | 240019014 | BACK-UP WASHER |
| 14 | 1 | 671100011 | PISTON |
| 15 | 1 | 240019007 | BACK-UP WASHER |
| 16 | 1 | 240016067 | O-RING |
| 17 | 1 | 240016068 | O-RING |
| 18 | 1 | 240019008 | BACK-UP WASHER |
| 19 | 1 | 660330002 | DETENT ADJUSTING CART. |
| 20 | 1 | 660125004 | RELIEF KIT |
| 21 | 1 | 240016086 | U-CUP |
| 22 | 1 | 240000210 | O-RING |
| 23 | 1 | 671100012 | PISTON SLEEVE |
| | | 660530001 | LS-3000 SEAL KIT |
| | | 660125004 | RELIEF KIT |
| | | 660330002 | DETENT ADJUSTING CART. |
| | | 660130007 | PRESSURE RELEASE DETENT KIT |
| | | 660130001 | COMPLETE HANDLE KIT |

⚠ WARNING: OVERPRESSURE MAY CAUSE SUDDEN AND UNEXPECTED FAILURE OF A COMPONENT IN THE HYDRAULIC SYSTEM RESULTING IN SERIOUS PERSONAL INJURY. ALWAYS USE A GAUGE WHEN ADJUSTING A RELIEF VALVE.



1000# 4-BOLT HUB PARTS BREAKDOWN

| ITEM | PART NO. | DESCRIPTION | QTY |
|------|----------|-----------------------------|-----|
| 1 | Z23201 | L44643 Cone, L44610 Cup | 2 |
| 2 | Z28301 | Double Lip Seal 1-1/4 Shaft | 1 |
| 3 | Z29201 | Grease Fitting, 1/8NPT | 1 |
| 4 | Z72931 | Lug Nut 1/2NF | 4 |
| 5 | Z91201 | 1000# 4-Bolt Hub | 1 |
| 6 | Z91801 | Dust Cap 1.98 Bore | 1 |
| ITEM | PART NO. | DESCRIPTION | QTY |
| 10 | Z72691 | Slotted Hex Nut 1NF | 1 |
| ITEM | PART NO. | DESCRIPTION | QTY |
| 15 | Z12322 | Cotter Pin 3/16 X 2 | 1 |

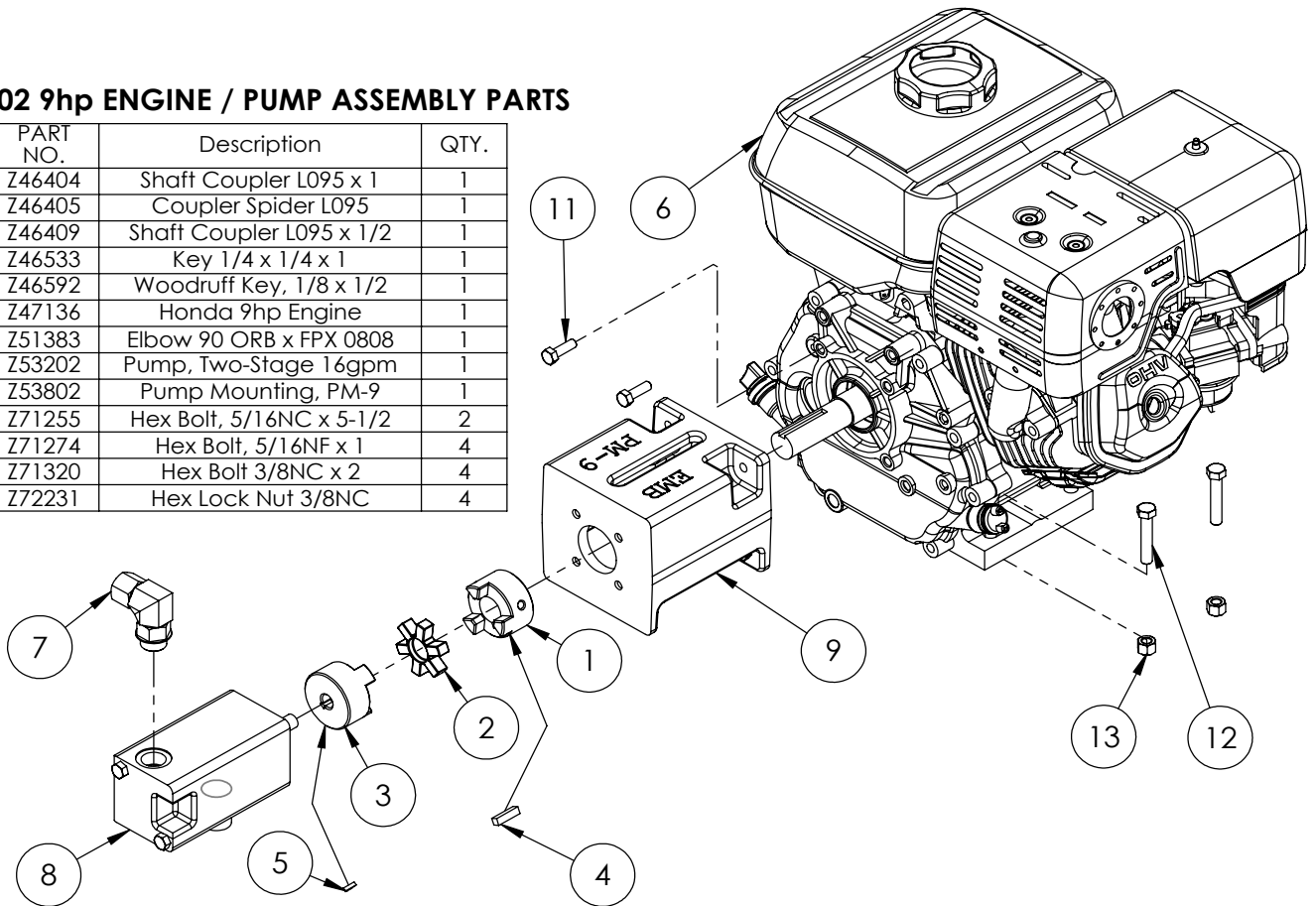


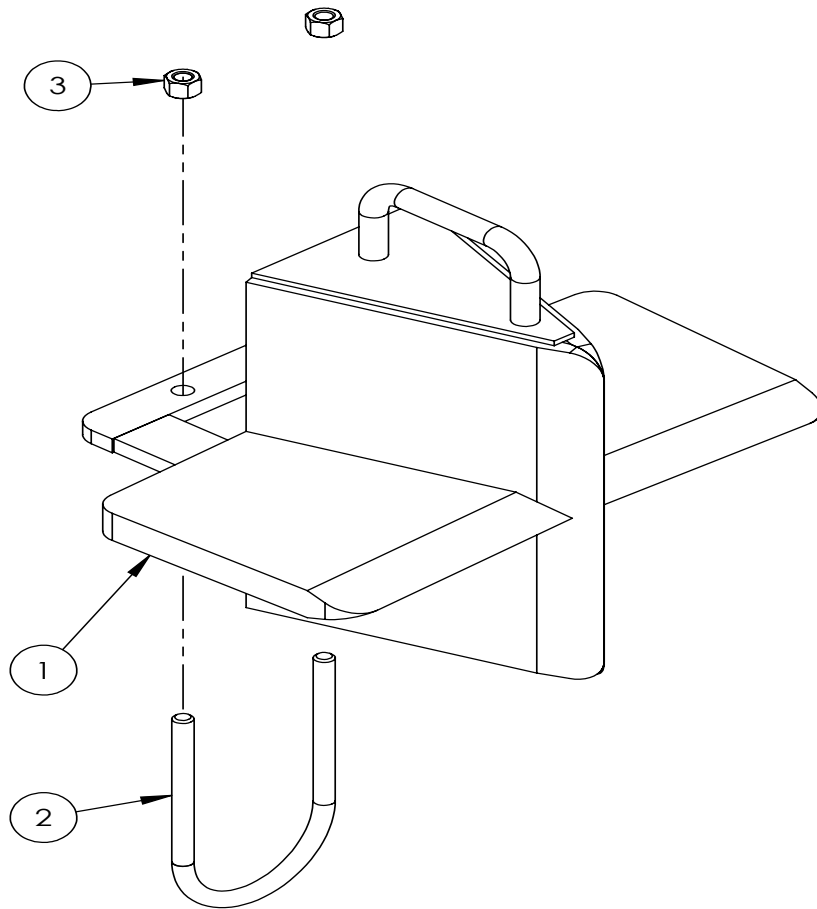
4-1/2" x 36" STROKE CYLINDER PARTS

| ITEM | PART NO. | DESCRIPTION | QTY |
|------|------------|---|-----|
| 1 | G450-250SA | 4-1/2" Bore x 2-1/2" Rod Gland With Seals | 1 |
| 2 | P100-450SA | 4-1/2" Bore Piston With Seals | 1 |
| 3 | 2032C2011 | Barrel, 4-1/2" | 1 |
| 4 | 2032C2013 | Rod, 2-1/2x 1 | 1 |
| 5 | Z72292G8 | Hex Lock Nut 1NF Grade 8 | 1 |
| 6 | SLK-4525 | Seal Kit, 4-1/2 x 2-1/2 | 1 |

2061A102 9hp ENGINE / PUMP ASSEMBLY PARTS

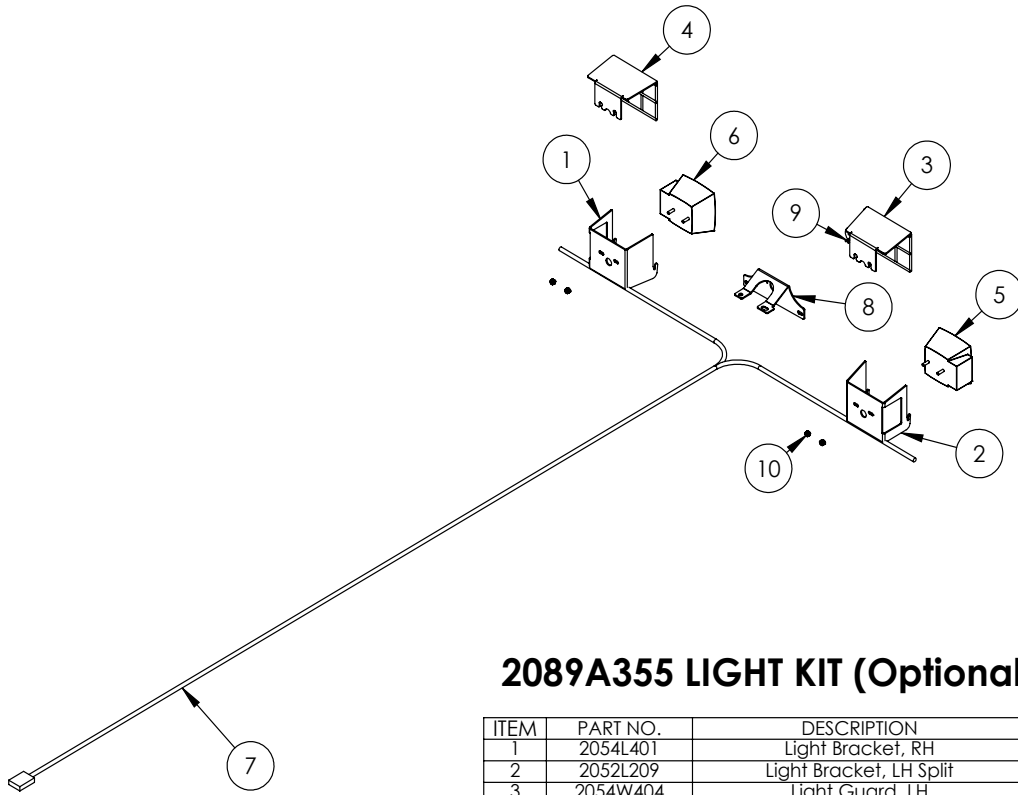
| ITEM | PART NO. | Description | QTY. |
|------|----------|--------------------------|------|
| 1 | Z46404 | Shaft Coupler L095 x 1 | 1 |
| 2 | Z46405 | Coupler Spider L095 | 1 |
| 3 | Z46409 | Shaft Coupler L095 x 1/2 | 1 |
| 4 | Z46533 | Key 1/4 x 1/4 x 1 | 1 |
| 5 | Z46592 | Woodruff Key, 1/8 x 1/2 | 1 |
| 6 | Z47136 | Honda 9hp Engine | 1 |
| 7 | Z51383 | Elbow 90 ORB x FPX 0808 | 1 |
| 8 | Z53202 | Pump, Two-Stage 16gpm | 1 |
| 9 | Z53802 | Pump Mounting, PM-9 | 1 |
| 10 | Z71255 | Hex Bolt, 5/16NC x 5-1/2 | 2 |
| 11 | Z71274 | Hex Bolt, 5/16NF x 1 | 4 |
| 12 | Z71320 | Hex Bolt 3/8NC x 2 | 4 |
| 13 | Z72231 | Hex Lock Nut 3/8NC | 4 |





W4130 4-Way Wedge (Optional)

| ITEM | PART NO. | DESCRIPTION | QTY |
|------|----------|----------------------|-----|
| 1 | 2082W301 | Weldment, Main 4-Way | 1 |
| 2 | 2082S307 | U-Bolt, 3 x 4 | 1 |
| 3 | Z72231 | Hex Lock Nut 3/8NC | 2 |



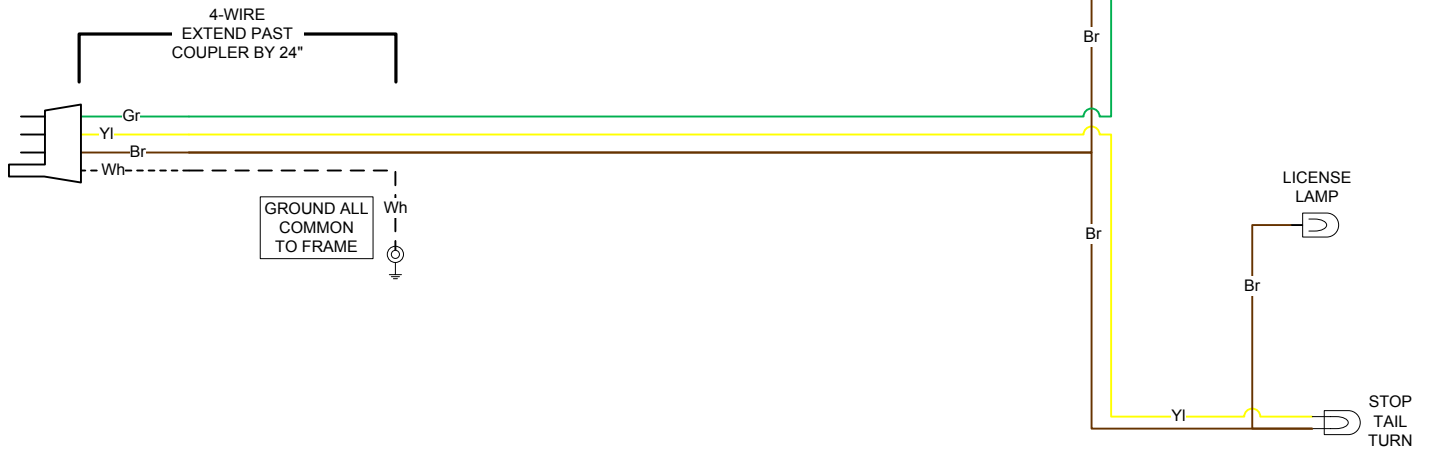
2089A355 LIGHT KIT (Optional)

| ITEM | PART NO. | DESCRIPTION | QTY |
|------|----------|------------------------------|-----|
| 1 | 2054L401 | Light Bracket, RH | 1 |
| 2 | 2052L209 | Light Bracket, LH Split | 1 |
| 3 | 2054W404 | Light Guard, LH | 1 |
| 4 | 2054W403 | Light Guard, RH | 1 |
| 5 | Z61106 | Stop, Turn, Tail Light LH | 1 |
| 6 | Z61107 | Stop, Turn, Tail Light RH | 1 |
| 7 | Z62102 | 10' Wishbone Trailer Harness | 1 |
| 8 | 2052L210 | License Bracket | 1 |
| 9 | Z61301 | License Lamp | 1 |
| 10 | Z72941 | Serrated Washer Nut 1/4NC | 4 |

WX TRAILER SPLITTER WIRING

| KEY | |
|-----|----------|
| Bl | - BLUE |
| Br | - BROWN |
| Gr | - GREEN |
| Rd | - RED |
| Yl | - YELLOW |
| Bk | - BLACK |
| Wh | - WHITE |

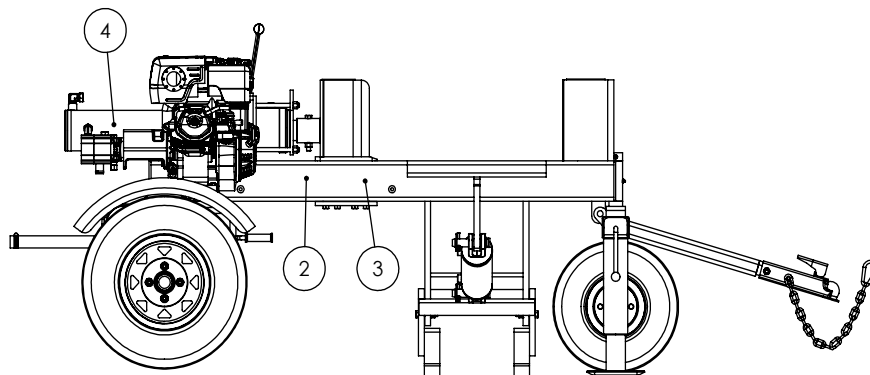
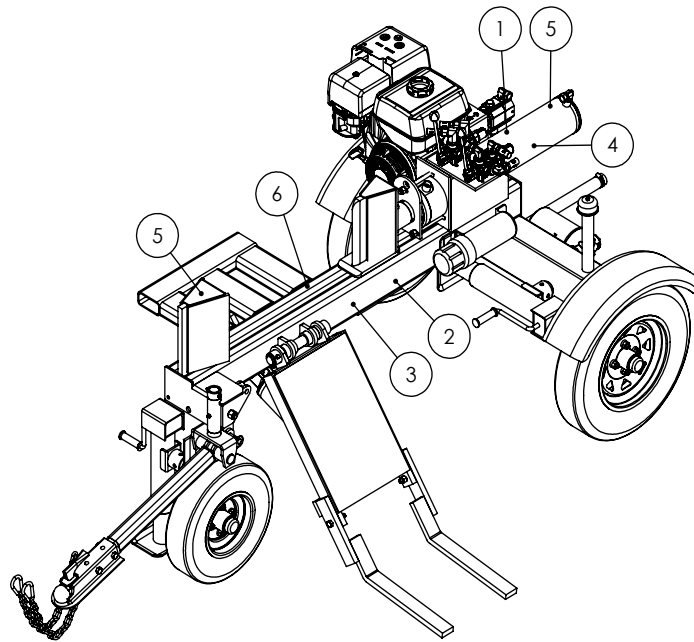
RIGHT SIDE



LEFT SIDE

HORIZONTAL LOG SPLITTER DECAL BREAKDOWN

| ITEM | PART NO. | DESCRIPTION | QTY |
|------|----------|------------------------|-----|
| 1 | Z94039 | CAUTION - Read Manual | 1 |
| 2 | Z94040 | WARNING - Moving Wedge | 2 |
| 3 | Z94067 | Clear Guide | 2 |
| 4 | Z94056 | Wallenstein | 2 |
| 5 | Z94019 | Made in Canada | 2 |
| 6 | Z94066 | Apply Oil or Grease | 1 |



Trailer Splitter Decals

Z94056



Z94067



Z94019



Z94066



Z94039



Z94040





WALLENSTEIN Products Manufactured by:

EMB MFG Inc.

4144 Boomer Line
St. Clements, Ontario
Canada N0B 2M0
Phone: 1-877-695-9283
Fax: 519-699-4146
www.embmfg.com