



## BXM32 Chipper Parts Manual

Prior to S/N 1M3249



## Foreword

EMB Mfg. has prepared this parts manual to assist customers in ordering quality OEM replacement parts.

Proper and regular service and replacing old, worn or broken parts with the correct Wallenstein parts are essential to prolonging the life of your Wallenstein product. Please refer to this manual before ordering any replacement parts.

All information contained in this parts manual is based on the latest product specification available at the time of printing this manual. If your product differs from the specifications contained within this manual contact EMB Mfg. for information.

EMB reserves the right to alter specifications on their products at any time.

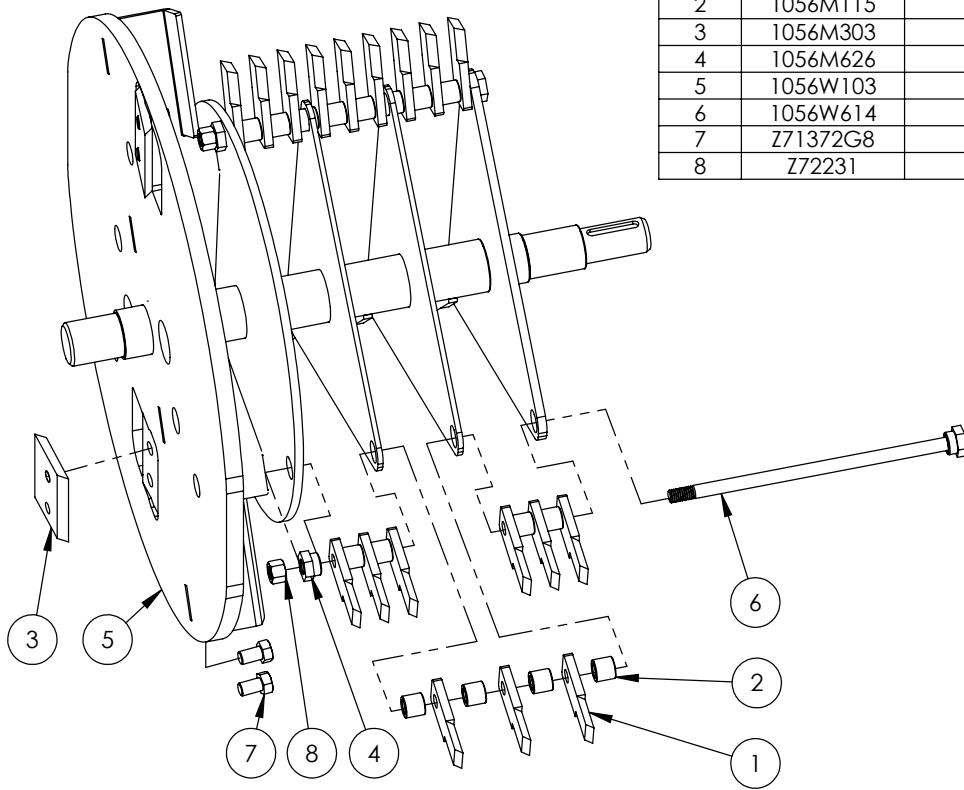
Reproduction of this parts manual of any kind is prohibited without prior written permission from EMB Mfg.

# Table of Contents

|                                 |    |
|---------------------------------|----|
| Rotor Parts Breakdown           | 4  |
| Main Parts Breakdown            | 5  |
| Driveline Parts Breakdown       | 6  |
| Discharge Chute Parts Breakdown | 7  |
| Binacchi PTO Parts Breakdown    | 8  |
| Decal Breakdown                 | 10 |

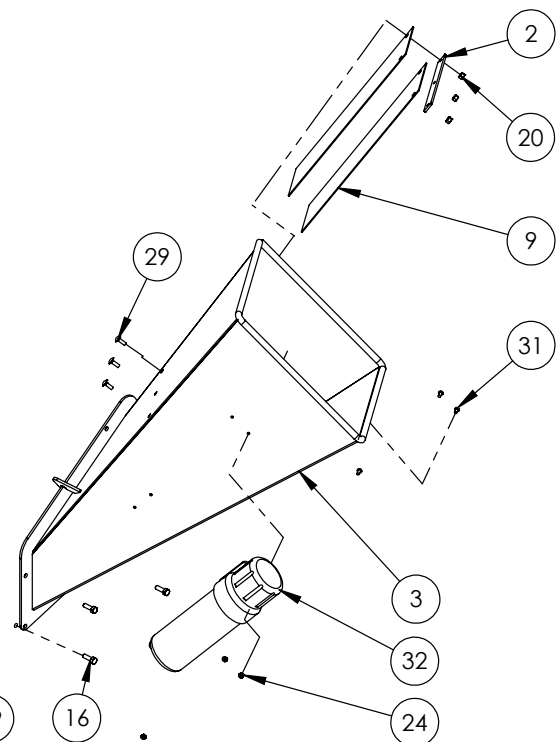
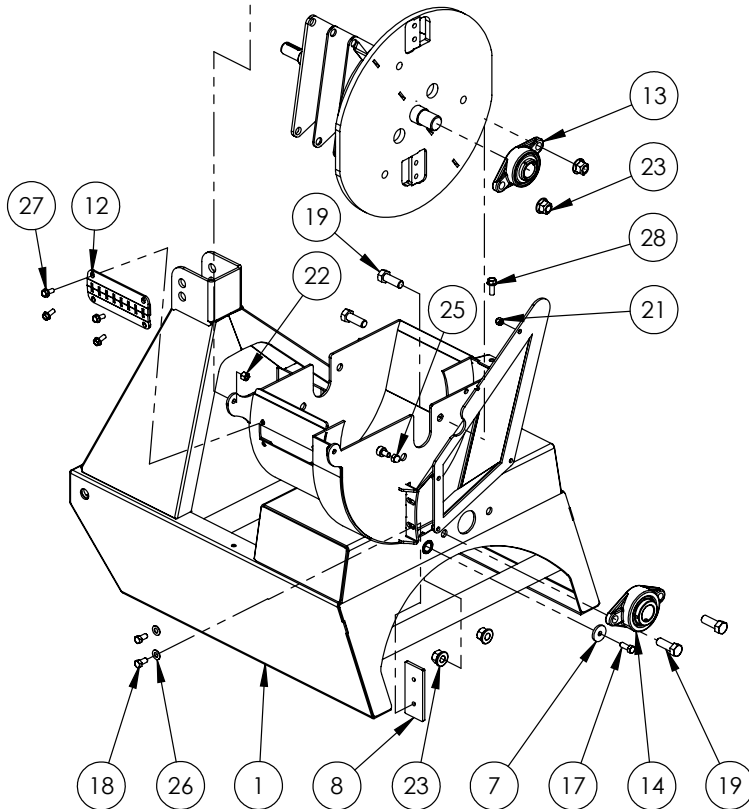
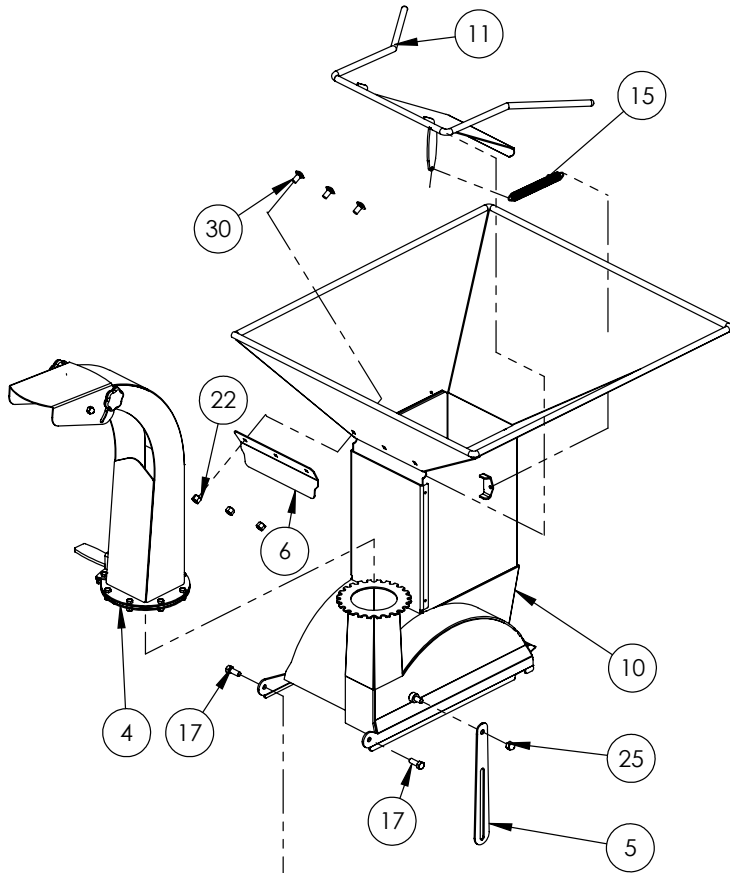
### BXM32 ROTOR PARTS BREAKDOWN

| ITEM | PART NO. | Description              | QTY. |
|------|----------|--------------------------|------|
| 1    | 1056M108 | Knife,Shredder           | 27   |
| 2    | 1056M115 | Spacer, Shredder .580    | 24   |
| 3    | 1056M303 | Knife, 3" Rotor          | 2    |
| 4    | 1056M626 | Retainer Rod Head        | 3    |
| 5    | 1056W103 | Rotor                    | 1    |
| 6    | 1056W614 | Hammer Retainer Pin      | 3    |
| 7    | Z71372G8 | Hex Bolt, 3/8NF x 5/8 G8 | 4    |
| 8    | Z72231   | Hex Lock Nut 3/8NC       | 3    |



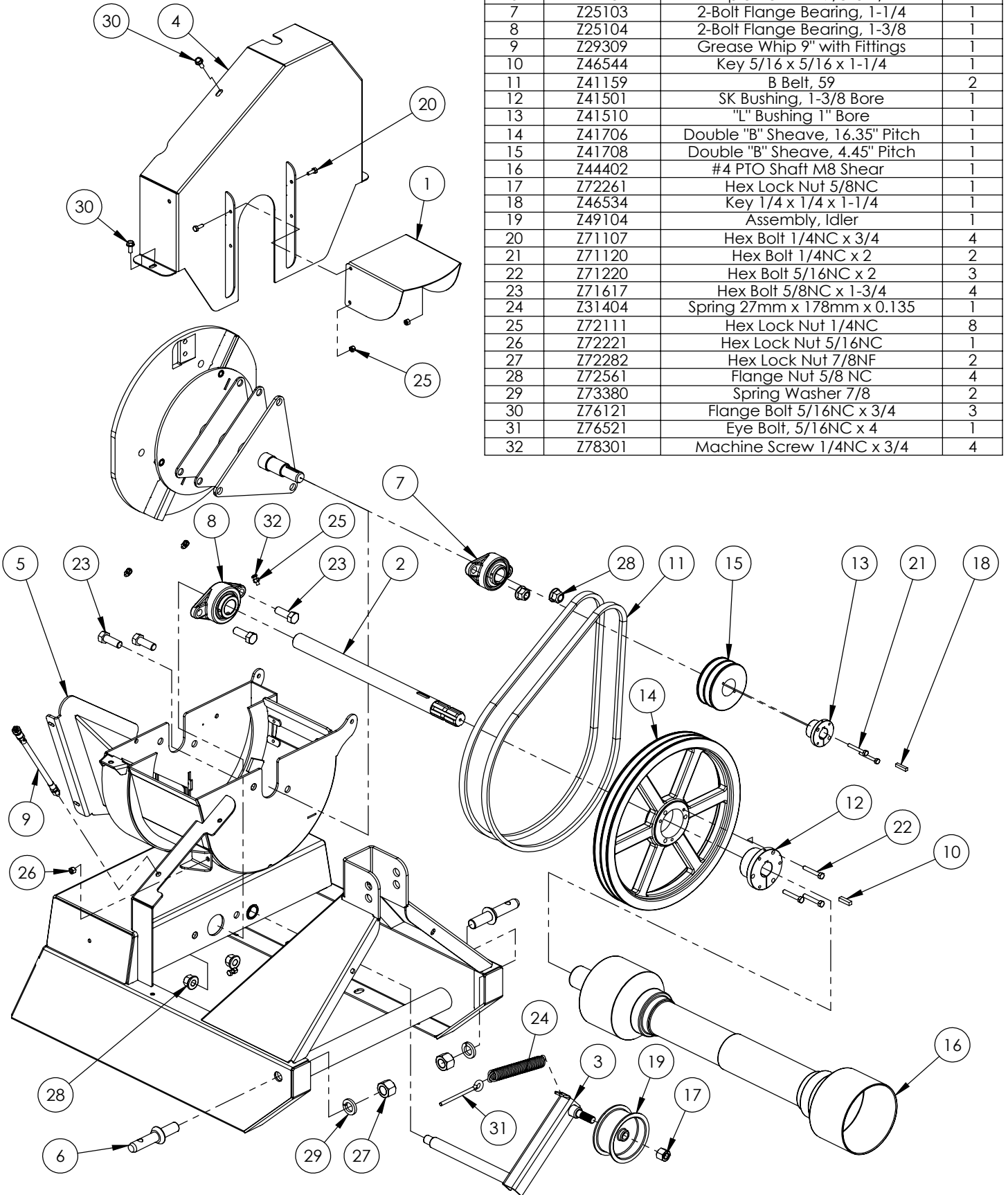
**BXM32 MAIN PARTS BREAKDOWN**

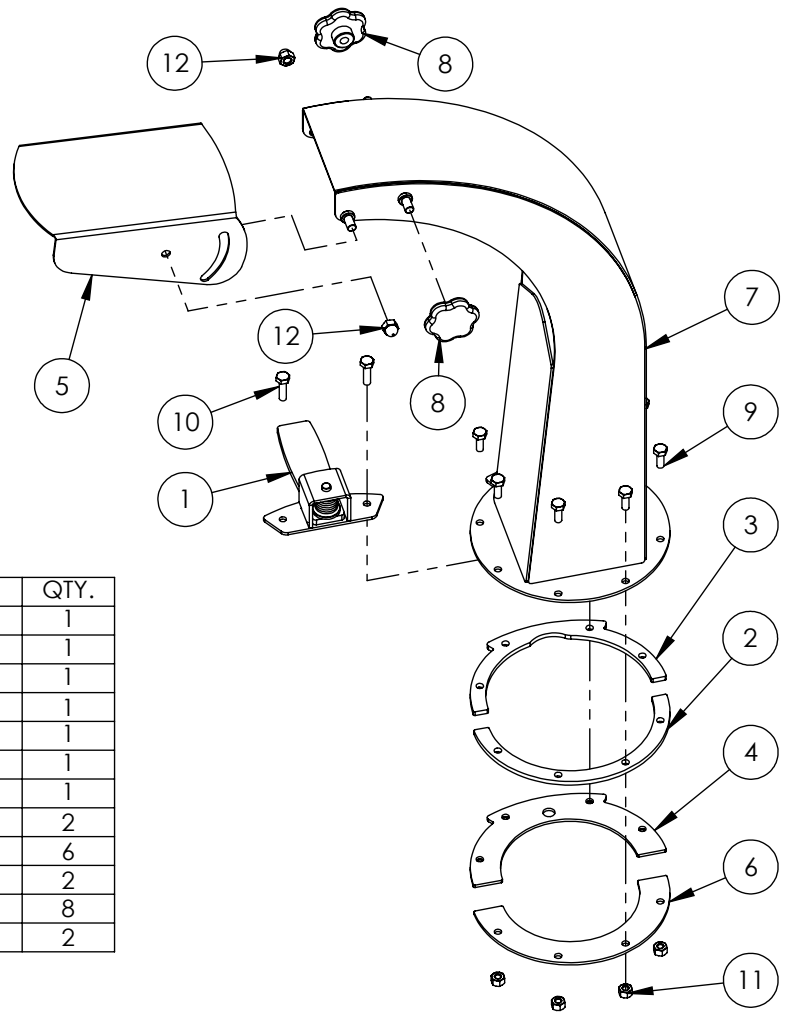
| ITEM | PART NO.  | Description                  | QTY. |
|------|-----------|------------------------------|------|
| 1    | 1017W720  | Housing, Bottom Rotor        | 1    |
| 2    | 1018L994  | Chipper Chute Flap Clamp     | 1    |
| 3    | 1018W104  | Chipper Chute                | 1    |
| 4    | 1056A301  | Assembly, Discharge Chute    | 1    |
| 5    | 1056L229  | Positive Stop Plate          | 1    |
| 6    | 1056L246  | Flapper Capture Plate        | 1    |
| 7    | 1056L968  | Washer, Idler Capture        | 1    |
| 8    | 1056M304  | Knife, 3" Ledger             | 1    |
| 9    | 1056S604  | Flap, Hopper                 | 2    |
| 10   | 1056W102B | Housing, Upper Rotor         | 1    |
| 11   | 1056W107  | Shredder, Chute Flapper      | 1    |
| 12   | 1056W610  | Concave                      | 1    |
| 13   | Z25103    | 2-Bolt Flange Bearing, 1-1/4 | 1    |
| 14   | Z25104    | 2-Bolt Flange Bearing, 1-3/8 | 1    |
| 15   | Z31301    | Spring 17mm x 140mm Medium   | 1    |
| 16   | Z71210    | Hex Bolt 5/16NC x 1          | 4    |
| 17   | Z71310    | Hex Bolt 3/8NC x 1           | 3    |
| 18   | Z71373G8  | Hex Bolt 3/8NF x 3/4 Gr8     | 2    |
| 19   | Z71617    | Hex Bolt 5/8NC x 1-3/4       | 4    |
| 20   | Z72111    | Hex Lock Nut 1/4NC           | 3    |
| 21   | Z72221    | Hex Lock Nut 5/16NC          | 4    |
| 22   | Z72231    | Hex Lock Nut 3/8NC           | 5    |
| 23   | Z72561    | Flange Nut 5/8 NC            | 4    |
| 24   | Z72752    | Machine Nut, #10NF           | 3    |
| 25   | Z72911    | Acorn Nut, 3/8NC             | 2    |
| 26   | Z73131    | Washer, 3/8                  | 2    |
| 27   | Z76122    | Flange Bolt 5/16NC x 1/2     | 4    |
| 28   | Z76134    | Flange Bolt, 3/8NC x 1       | 1    |
| 29   | Z76211    | Carriage Bolt 1/4NC x 3/4    | 3    |
| 30   | Z76233    | Carriage Bolt 3/8NC x 3/4    | 3    |
| 31   | Z78303    | Machine Screw #10NF x 1/2    | 3    |
| 32   | Z96503    | Manual Tube 3-1/2 Short      | 1    |



**BXM32 DRIVELINE PARTS BREAKDOWN**

| ITEM | PART NO. | Description                     | QTY. |
|------|----------|---------------------------------|------|
| 1    | 1017L718 | PTO Cover                       | 1    |
| 2    | 1017M702 | Shaft, Splined                  | 1    |
| 3    | 1017W701 | Idler Arm                       | 1    |
| 4    | 1017W702 | Shield                          | 1    |
| 5    | 1017W720 | Housing, Bottom Rotor           | 1    |
| 6    | Z11431   | Implement Pin 7/8x5-1/2         | 2    |
| 7    | Z25103   | 2-Bolt Flange Bearing, 1-1/4    | 1    |
| 8    | Z25104   | 2-Bolt Flange Bearing, 1-3/8    | 1    |
| 9    | Z29309   | Grease Whip 9" with Fittings    | 1    |
| 10   | Z46544   | Key 5/16 x 5/16 x 1-1/4         | 1    |
| 11   | Z41159   | B Belt, 59                      | 2    |
| 12   | Z41501   | SK Bushing, 1-3/8 Bore          | 1    |
| 13   | Z41510   | "L" Bushing 1" Bore             | 1    |
| 14   | Z41706   | Double "B" Sheave, 16.35" Pitch | 1    |
| 15   | Z41708   | Double "B" Sheave, 4.45" Pitch  | 1    |
| 16   | Z44402   | #4 PTO Shaft M8 Shear           | 1    |
| 17   | Z72261   | Hex Lock Nut 5/8NC              | 1    |
| 18   | Z46534   | Key 1/4 x 1/4 x 1-1/4           | 1    |
| 19   | Z49104   | Assembly, Idler                 | 1    |
| 20   | Z71107   | Hex Bolt 1/4NC x 3/4            | 4    |
| 21   | Z71120   | Hex Bolt 1/4NC x 2              | 2    |
| 22   | Z71220   | Hex Bolt 5/16NC x 2             | 3    |
| 23   | Z71617   | Hex Bolt 5/8NC x 1-3/4          | 4    |
| 24   | Z31404   | Spring 27mm x 178mm x 0.135     | 1    |
| 25   | Z72111   | Hex Lock Nut 1/4NC              | 8    |
| 26   | Z72221   | Hex Lock Nut 5/16NC             | 1    |
| 27   | Z72282   | Hex Lock Nut 7/8NF              | 2    |
| 28   | Z72561   | Flange Nut 5/8 NC               | 4    |
| 29   | Z73380   | Spring Washer 7/8               | 2    |
| 30   | Z76121   | Flange Bolt 5/16NC x 3/4        | 3    |
| 31   | Z76521   | Eye Bolt, 5/16NC x 4            | 1    |
| 32   | Z78301   | Machine Screw 1/4NC x 3/4       | 4    |

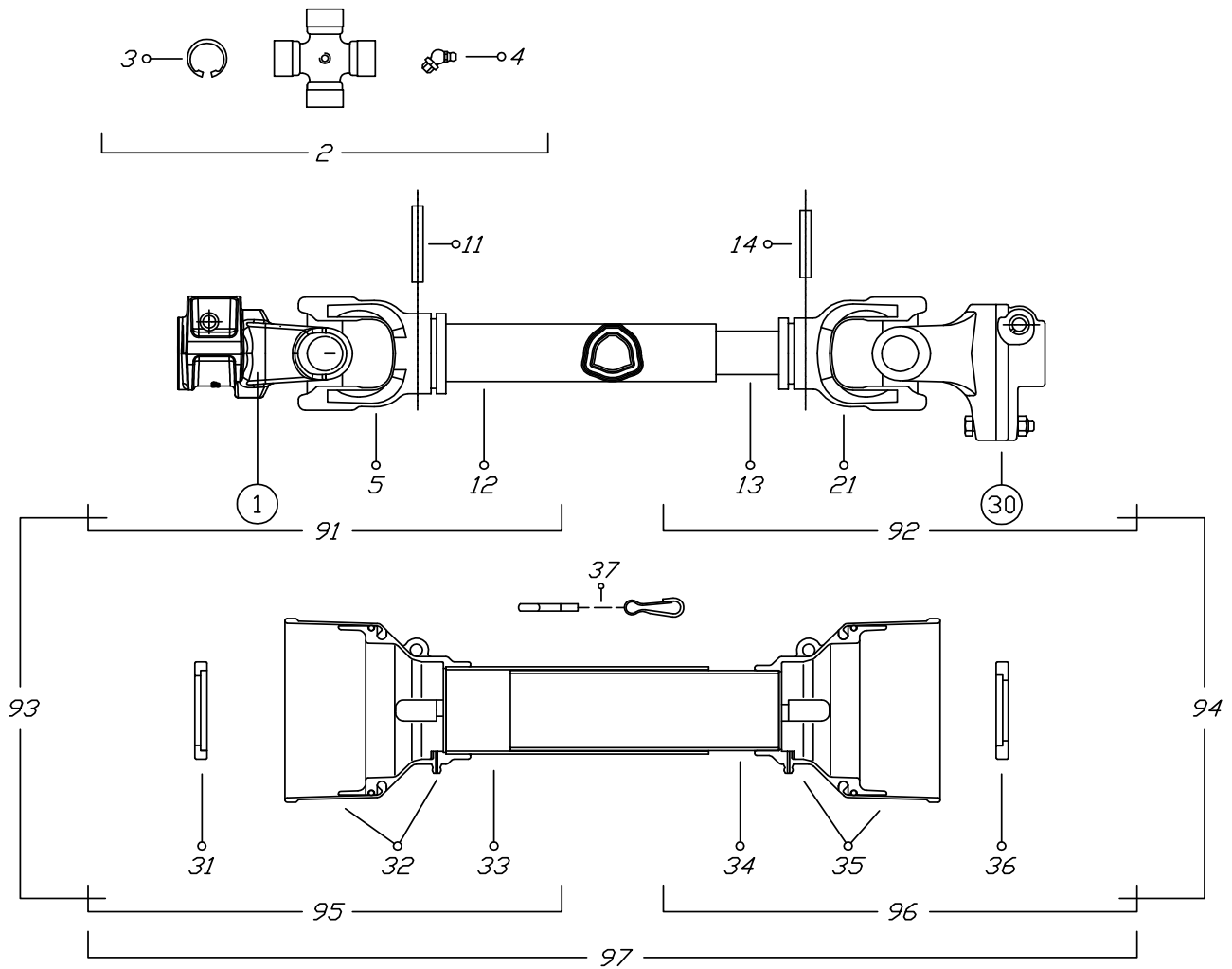




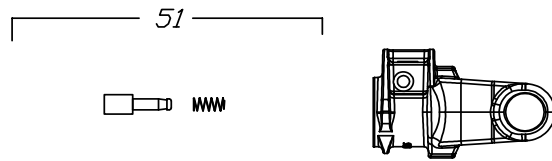
### 1056A301 PARTS BREAKDOWN

| ITEM | PART NO. | Description                | QTY. |
|------|----------|----------------------------|------|
| 1    | 1012W208 | Assembly, Hood Latch       | 1    |
| 2    | 1056L327 | Ring                       | 1    |
| 3    | 1056L329 | Plate, Spacer Ring         | 1    |
| 4    | 1056L330 | Plate, Hood Cature         | 1    |
| 5    | 1056L333 | Deflector, Discharge Chute | 1    |
| 6    | 1056L334 | Ring                       | 1    |
| 7    | 1056W306 | Discharge Chute            | 1    |
| 8    | Z19313   | Knob, 5/16NC Female Stud   | 2    |
| 9    | Z71107   | Hex Bolt 1/4NC x 3/4       | 6    |
| 10   | Z71110   | Hex Bolt 1/4NC x 1         | 2    |
| 11   | Z72111   | Hex Lock Nut 1/4NC         | 8    |
| 12   | Z72914   | Acorn Nut, 5/16NC          | 2    |

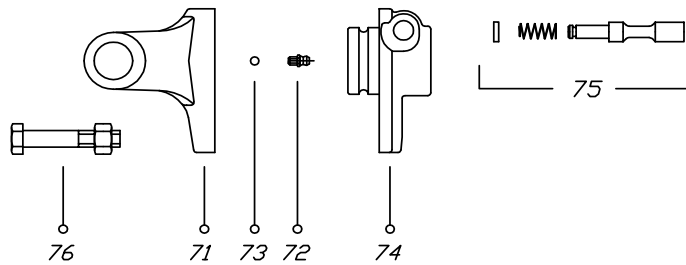
### Binacchi PTO Parts Breakdown



①



③①





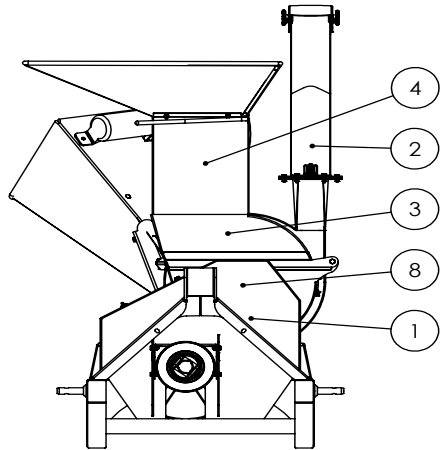
## Binacchi PTO Parts List

| <b>BINACCHI PTO SPARE PARTS LIST : B5090E098002</b> |                                  |           |                 |
|---|----------------------------------|-----------|-----------------|
| <b>POS.</b>   | <b>DESCRIPTION</b>               | <b>Q.</b> | <b>PART #</b>   |
| 01  | YOKE                             | 1         | 0800503         |
| 02  | CROSS JOURNAL ASSY               | 2         | 08205           |
| 03  | CIRCLIP                          | 8         | 09802030        |
| 04  | GREASE NIPPLE                    | 2         | 09840081002     |
| 05  | OUTER TUBE YOKE                  | 1         | 08005021        |
| 11  | FLEXIBLE PIN                     | 1         | 098700870       |
| 12  | CM. 100 CARDAN TUBE(*)           | 1         | 09881523100     |
| 13  | CM. 100 CARDAN TUBE(*)           | 1         | 09881454100     |
| 14  | FLEXIBLE PIN                     | 1         | 098700865       |
| 21  | INNER TUBE YOKE                  | 1         | 08005011        |
| 30  | SHEAR BOLT                       | 1         | 08805A604633    |
| 31  | O.BEARING                        | 1         | 0265150007      |
| 32  | O.BASIC CONE                     | 1         | 0256050324      |
| 33  | OUTER SAFETY TUBE                | 1         | 0988981B5090    |
| 34  | INNER SAFETY TUBE                | 1         | 0988975B5090    |
| 35  | I.BASIC CONE                     | 1         | 0256050325      |
| 36  | I.BEARING                        | 1         | 0265150008      |
| 37  | CHAIN                            | 1         | 0252000001      |
| 51  | COMPLETE PUSH BUTTTON            | 1         | 0986014047      |
| 71  | YOKE FOR LB5                     | 1         | 08896905        |
| 72  | GREASE NIPPLE                    | 1         | 0984010150      |
| 73  | STEEL BALL                       | 23        | 098680104       |
| 74  | HUB                              | 1         | 088965A60       |
| 75  | PUSH PIN SET                     | 1         | 0986014075      |
| 76  | NUT AND BOLT M10 X 1.5 X 55 10.9 | 1         | Z19407 (5 PACK) |
| 91  | OUTER HALF SHAFT                 | 1         | B509002         |
| 92  | INNER HALF SHAFT                 | 1         | B509001098002   |
| 93  | OUTER HALF SHAFT                 | 1         | B5090E2         |
| 94  | INNER HALF SHAFT                 | 1         | B5090E1098002   |
| 95  | OUTER HALF SAFETY GUARD          | 1         | 083E050902      |
| 96  | INNER HALF SAFETY GUARD          | 1         | 083E050901      |
| 97  | SAFETY GUARD                     | 1         | 083E05090       |

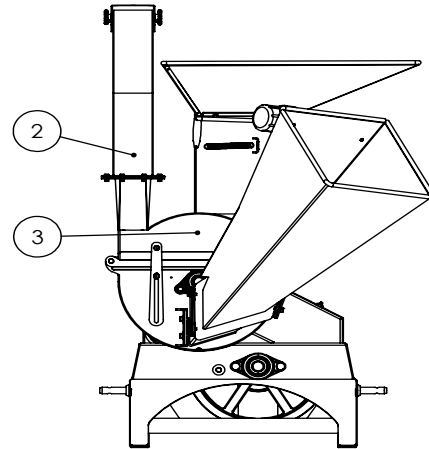
Note: Always check brand of PTO shaft when ordering PTO parts. For other brands then the Binacchi shafts shown above please call the factory @ 877-695-9283.

### BXM32 DECAL BREAKDOWN

| ITEM | PART NO. | DESCRIPTION                        | QTY |
|------|----------|------------------------------------|-----|
| 1    | Z94056   | WALLENSTEIN Decal                  | 3   |
| 2    | Z94019   | 1" Dia. Made In Canada             | 4   |
| 3    | Z94060   | BXM32 WALLENSTEIN                  | 2   |
| 4    | Z94007   | DANGER - Rotating Blades           | 5   |
| 5    | Z94006   | CAUTION - Read Manual              | 1   |
| 6    | Z94009   | DANGER - Rotating Driveline Hazard | 1   |
| 7    | Z94008   | DANGER - Thrown Object Hazard      | 3   |
| 8    | Z94012   | WARNING - Rotating Part Hazard     | 2   |
| 9    | Z94013   | DANGER - Missing Guard             | 2   |



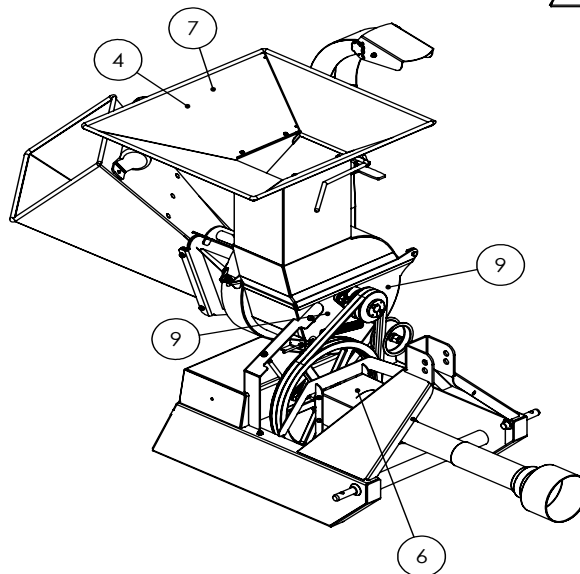
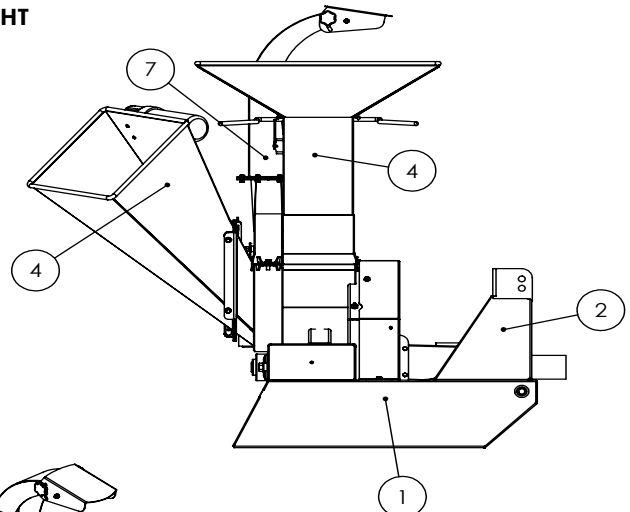
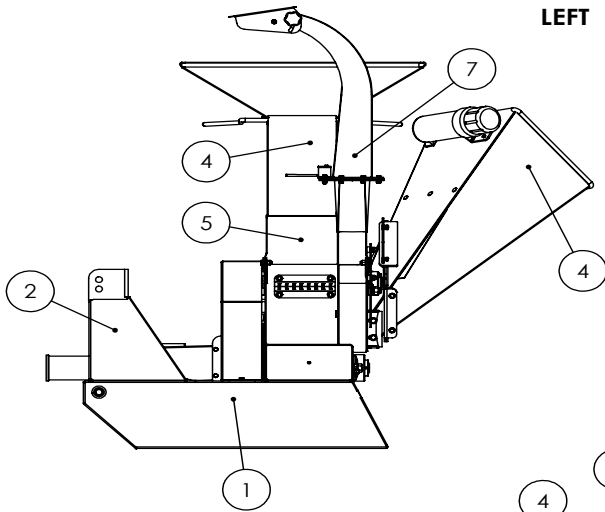
FRONT



BACK

LEFT

RIGHT



# Decals BXM32

Z94056



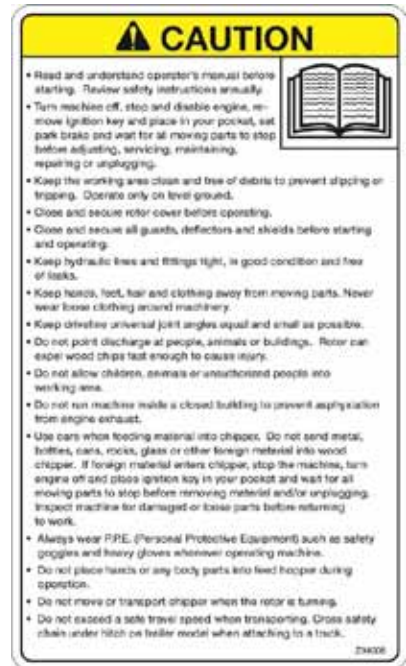
Z94060



Z94019



Z94006



Z94007



Z94012



Z94009



Z94013



Z94008





**WALLENSTEIN Products Manufactured by:**

**EMB MFG Inc.**

4144 Boomer Line  
St. Clements, Ontario  
Canada N0B 2M0  
Phone: 1-877-695-9283  
Fax: 519-699-4146  
[www.embmfg.com](http://www.embmfg.com)