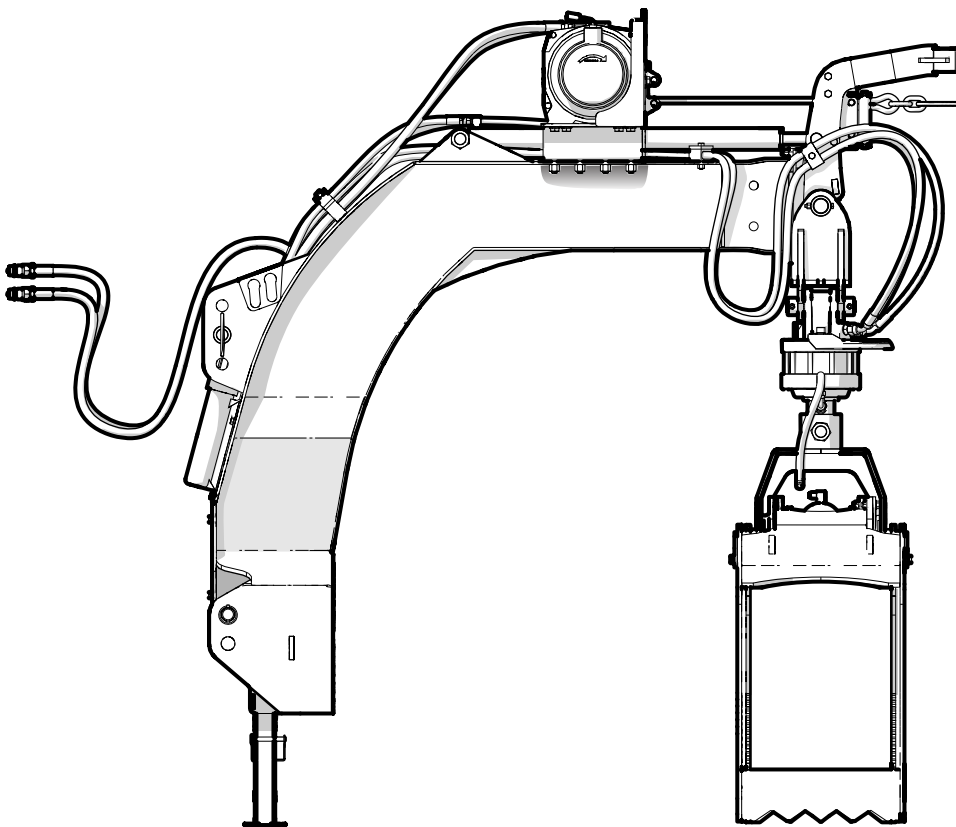


# PARTS MANUAL

---

Serial Number 1100823 & up

## LXG330RP 3 PH GRAPPLE



## Foreword

This Wallenstein parts manual is prepared to assist customers in ordering quality OEM replacement parts.

Regular maintenance combined with replacing old, worn or broken parts with the correct OEM parts is essential in prolonging the life of your Wallenstein product. Refer to this manual to identify replacement parts.

To order parts, contact your Wallenstein dealer or distributor. Have the product model and serial number handy.

If your dealer is no longer available, please go to [WallensteinEquipment.com](http://WallensteinEquipment.com). At the bottom of the page, select Dealer Locator.

All information contained in this parts manual is current as per the revision date at the bottom of the page. Wallenstein reserves the right to change product specifications at any time without notice.

If your product specifications differ from those contained in this manual, contact Wallenstein for current information.

Reproduction of information in this parts manual is prohibited without prior written permission from Wallenstein Equipment Inc.

Wallenstein Equipment Inc. • © 2023

## WARNING!

**For safety, operation, and maintenance information, see the Operator's Manual.**

**Maintenance should be performed by trained personnel only.**

## Serial Number Location

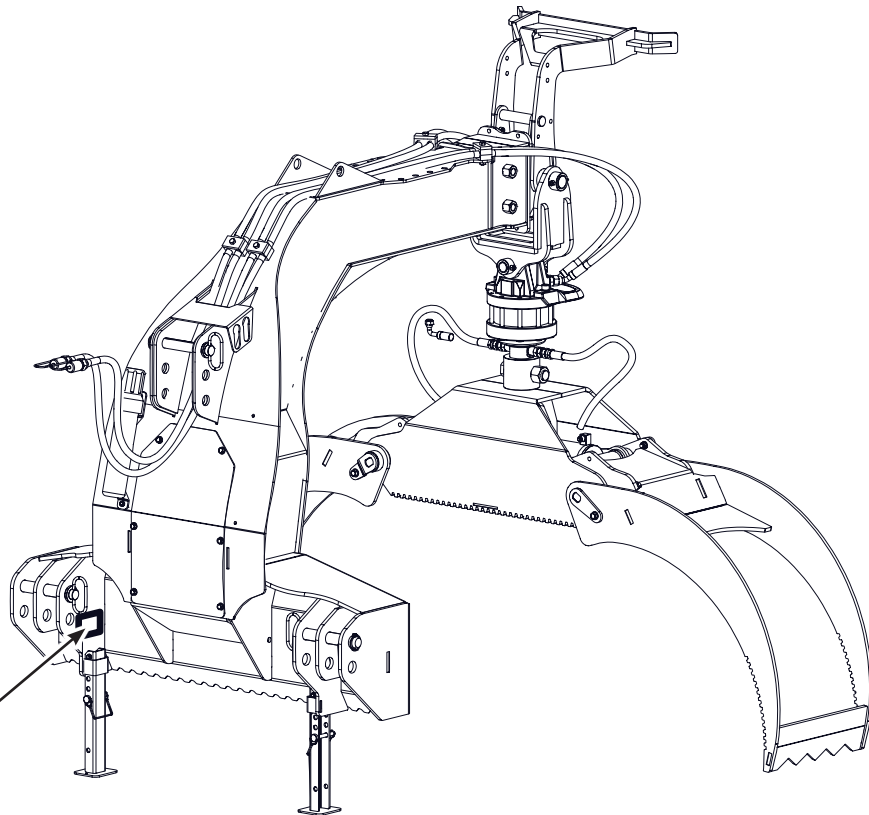
Always provide the model and serial number of your Wallenstein product when ordering parts or requesting service or other information. The serial number is on the product information plate as shown below.

**Record your product information here for future reference.**

**Model** \_\_\_\_\_

**Serial Number** \_\_\_\_\_

**Model and Serial  
Number Location**

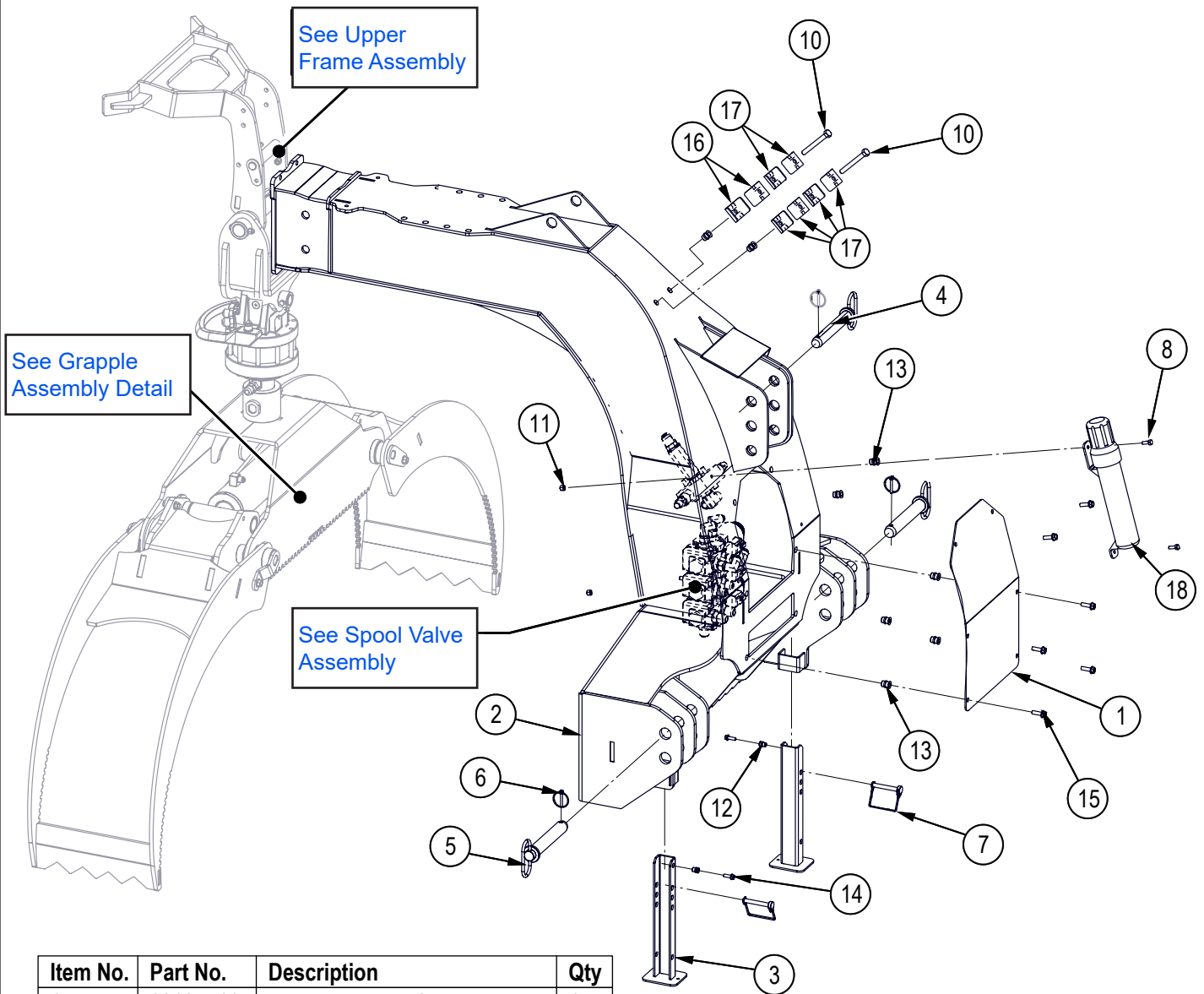


[www.wallensteinequipment.com](http://www.wallensteinequipment.com)

## Contents

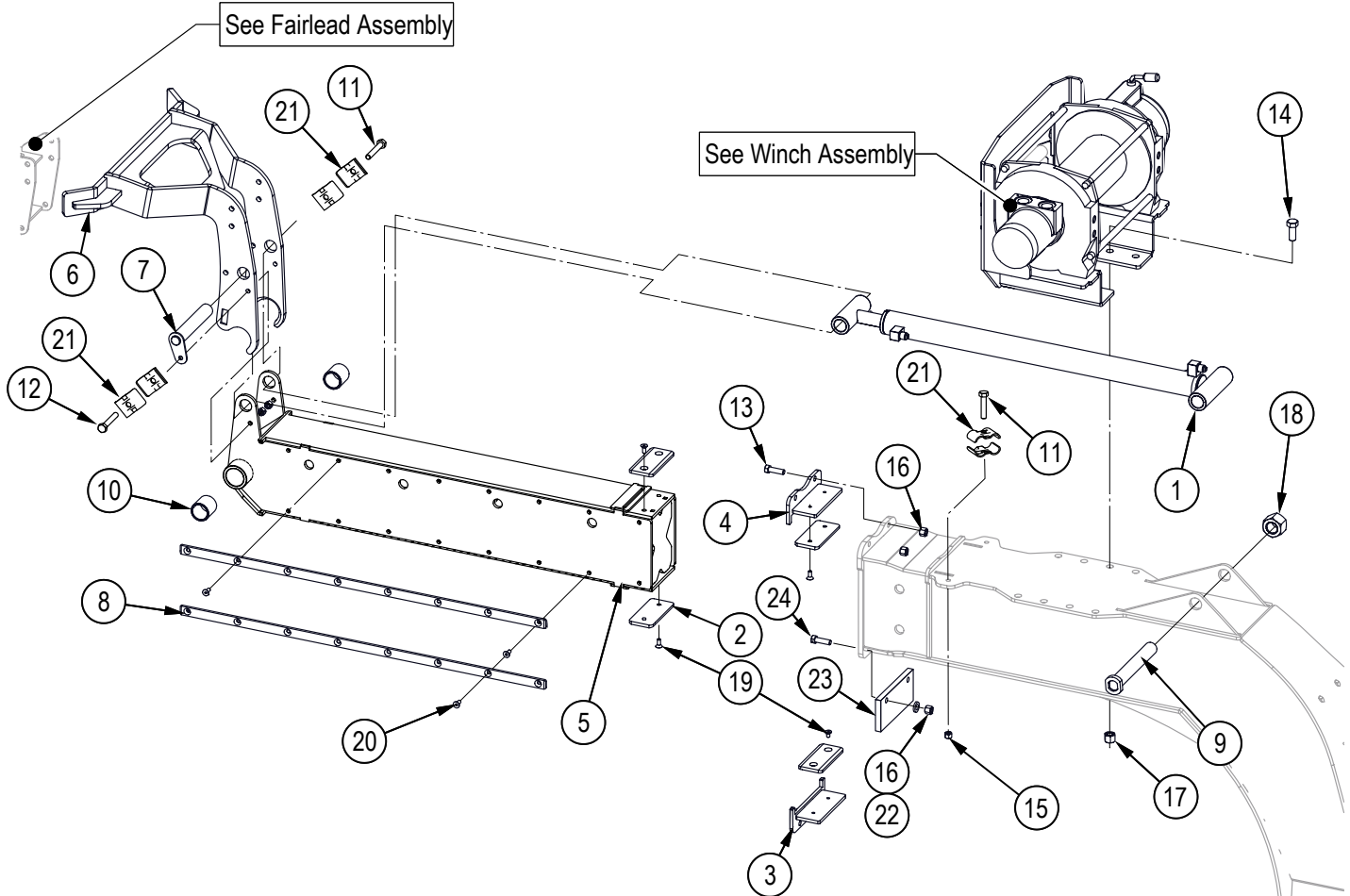
<b>Lower Main Frame Assembly.....</b>	<b>4</b>
<b>Upper Frame Assembly .....</b>	<b>5</b>
<b>Hanger Rotator Assembly .....</b>	<b>6</b>
<b>Grapple Assembly.....</b>	<b>7</b>
<b>Outer Fork Assembly.....</b>	<b>8</b>
<b>Winch Assembly .....</b>	<b>9</b>
<b>Fairlead Assembly .....</b>	<b>10</b>
<b>Spool Valve Assembly .....</b>	<b>11</b>
<b>Relief Valve Assembly .....</b>	<b>11</b>
<b>Extension Arm Cylinder Detail.....</b>	<b>12</b>
<b>Grapple Cylinder Detail .....</b>	<b>12</b>
<b>Control Box .....</b>	<b>13</b>
<b>Hydraulic Circuit .....</b>	<b>14</b>
<b>Decal Layout .....</b>	<b>15</b>
<b>Accessories.....</b>	<b>17</b>
<b>Common Bolt Torque Values .....</b>	<b>18</b>
<b>Hydraulic Fitting Torque Values .....</b>	<b>19</b>

**Lower Main Frame Assembly**



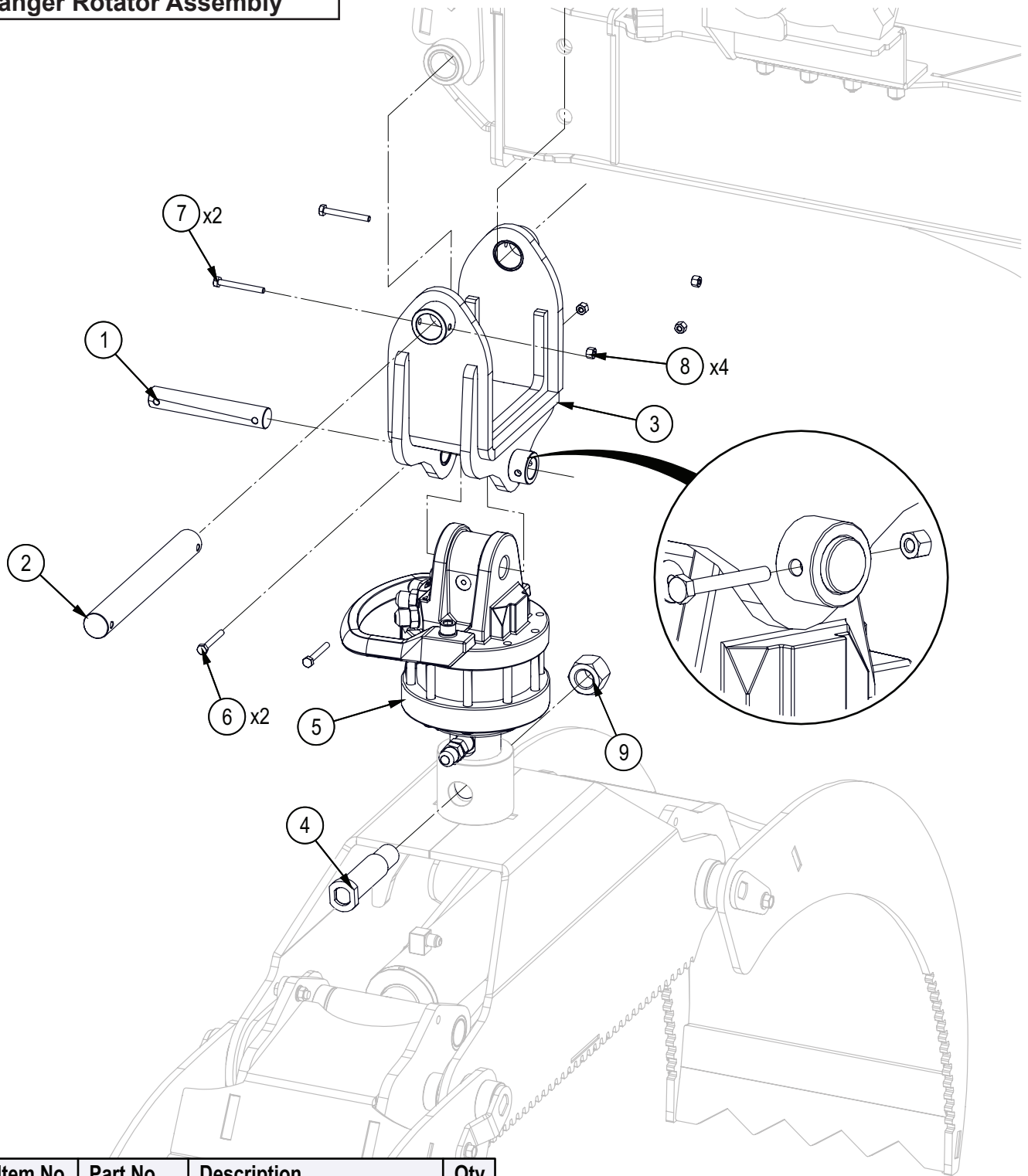
Item No.	Part No.	Description	Qty
1	6018L541	Plate, Hydraulic Cover	1
2	6018W505	Mainframe	1
3	6018W516	Support Leg	2
4	Z11261	Hitch Pin, 1" x 6-1/4"	1
5	Z11271	Hitch Pin, 1-1/8" x 6-1/4"	2
6	Z12110	Lynch Pin, 3/16"	3
7	Z12432	Snap Lock Pin, 3/8" x 2-1/2"	2
8	Z71107	Hex Bolt, 1/4NC x 3/4"	2
9	Z71230	Hex Bolt, 5/16NC x 3"	1
10	Z71227	Hex Bolt 5/16NC x 2-3/4"	2
11	Z72211	Hex Lock Nut, 1/4NC	2
12	Z72955	Rivet Nut, 1/4NC x 165	2
13	Z72957	Rivet Nut, 5/16NC x 312	8
14	Z76111	Flange Bolt, 1/4NC x 3/4"	2
15	Z76125	Flange Bolt, 5/16NC x 1"	6
16	2054L412	Hose Clamp 2 x 1/2"	2
17	2250L286	Hose Clamp 2 x 3/8"	1
18	Z96505	Manual Tube, 2" Short	1

## Upper Frame Assembly



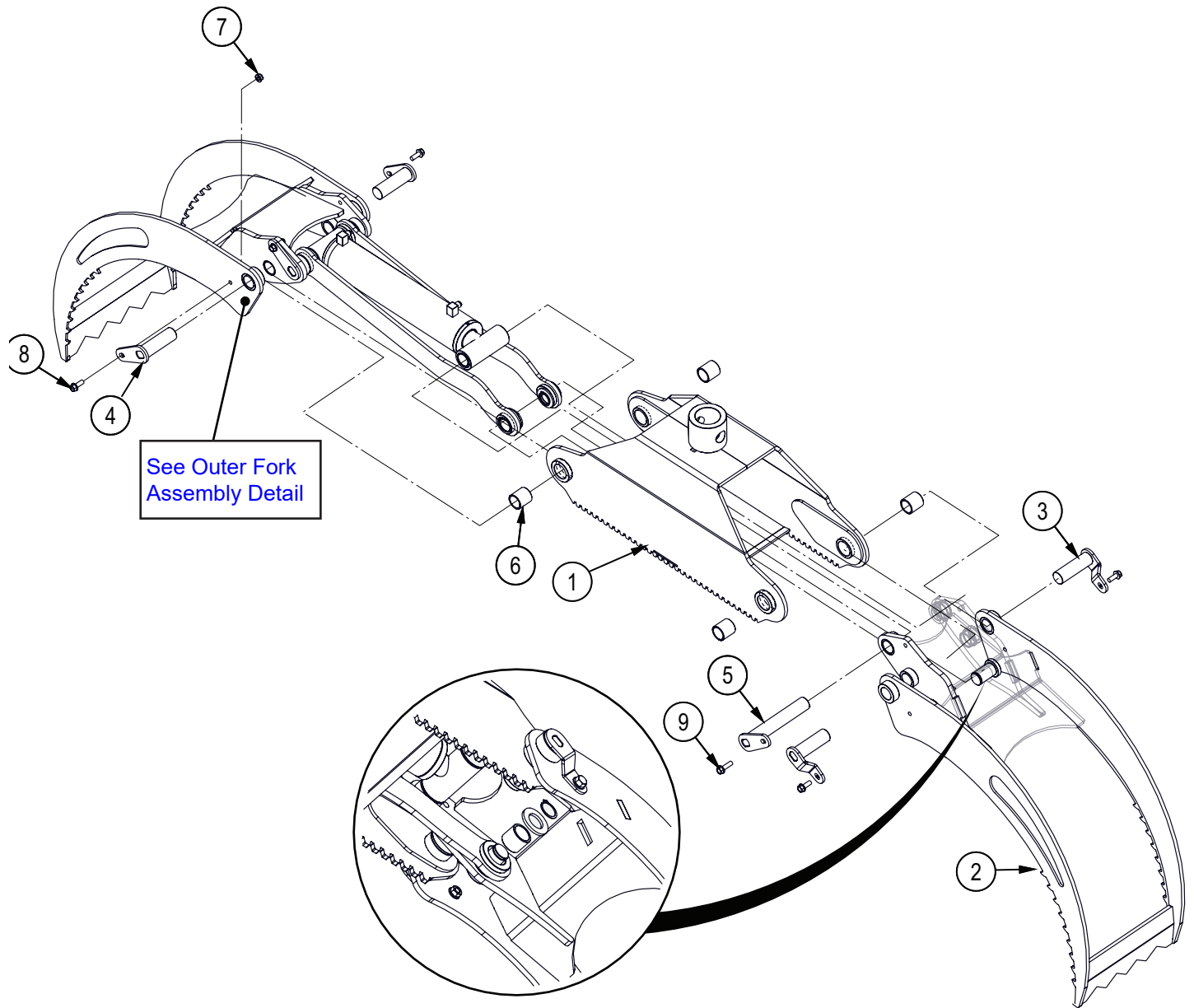
Item No.	Part No.	Description	Qty
1	6018C801	Cylinder, 1-1/2" x 1" x 24"	1
2	6018S804	Pad, Slide Wear	4
3	6018W805	Pad Holder Bottom	1
4	6018W806	Pad Holder Top	1
5	6018W801	Extension Arm	1
6	6018W513	Push Bar	1
7	6018W515	Push Bar Mount Pin	1
8	6018S803	Pad, Long Slide Wear	4
9	6018W804	Cylinder Pin	1
10	Z27107	Composite Bearing, 1-1/4" ID x 1-1/2" long x 1/8" Wall	2
11	Z71215	Hex Bolt, 5/16NC x 1-1/2"	2
12	Z71220	Hex Bolt,	2
13	Z71312	Hex Bolt, 3/8NC x 1-1/4"	4
14	Z76153	Hex Bolt, 1/2NC x 1"	8
15	Z72221	Hex Lock Nut, 5/16NC	4
16	Z72231	Hex Lock Nut, 3/8NC	4
17	Z72551	Serrated Flange Lock Nut, 1/2NC	8
18	Z72291	Hex Lock Nut, 1NC	1
19	Z75212	FHCS, 1/4NC x 7/16"	2
20	Z75213	FHCS, 1/4NC x 5/8"	38
21	2250L286	Hose Clamp, 2 x 3/8"	8
22	Z73131G8	SAE Washer, 3/8" Grade 8	2
23	6073S801	Damper Flap, Rubber	1
24	Z71317	Hex Bolt, 3/8NC x 1-3/4"	2

**Hanger Rotator Assembly**



Item No.	Part No.	Description	Qty
1	6018M514	Pin, Rotator Swing	1
2	6018M515	Pin, Rotator Mount	1
3	6018W507	Hanger	1
4	6018W514	Clamp Mount Pin	1
5	Z54110	Hydraulic Rotator, CR400W	1
6	Z71120	Hex Bolt, 1/4NC x 2"	2
7	Z71122	Hex Bolt, 1/4NC x 2-1/4"	2
8	Z72211	Hex Lock Nut, 1/4NC	4
9	Z72291	Hex Lock Nut, 1NC	1

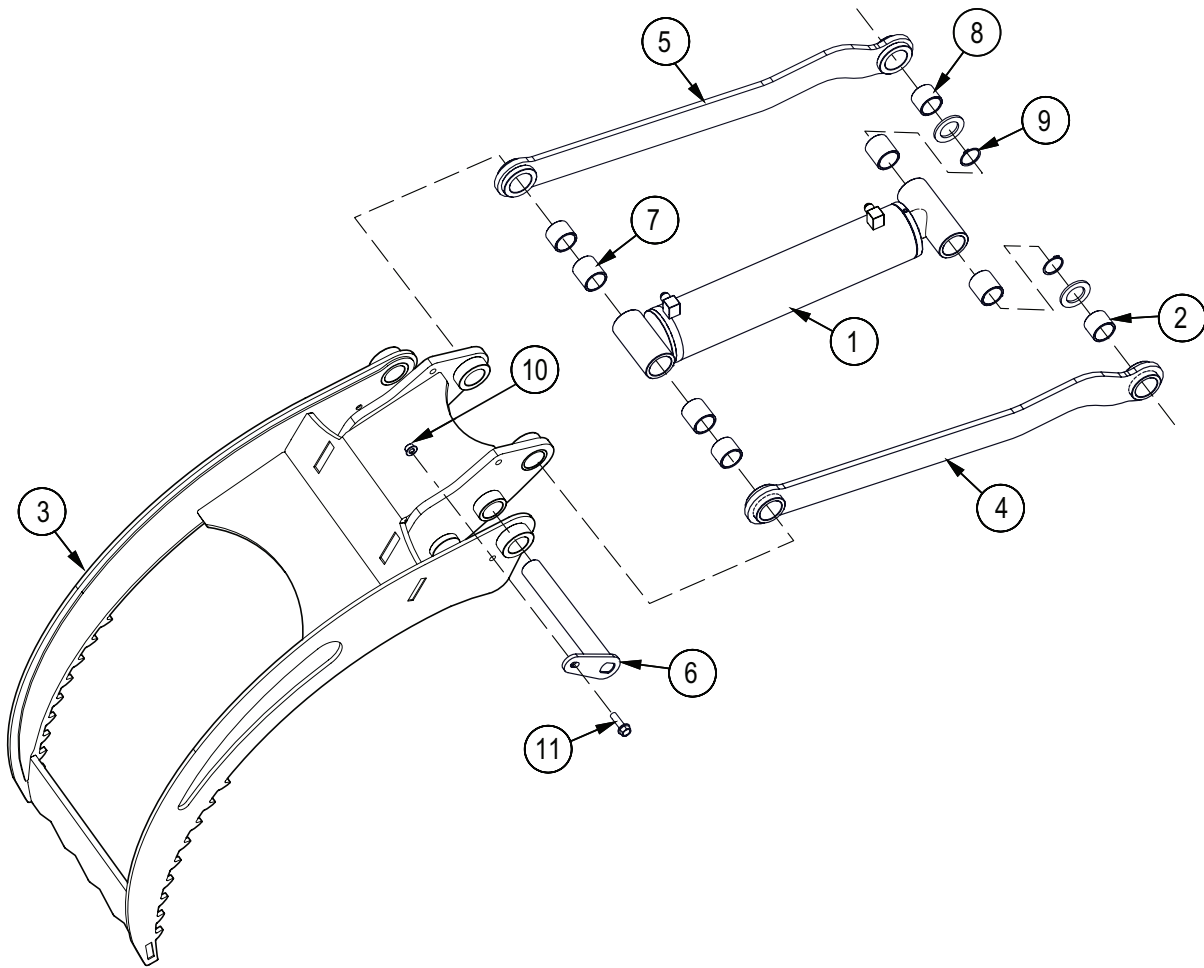
**Grapple Assembly**



**Note:** See Outer Fork Assembly Detail - Items 2, 8, and 9

Item No.	Part No.	Description	Qty
1	6018W501	Grapple Housing	1
2	6018W517	Inner Fork	1
3	6018W508	Inner Fork Pin	2
4	6018W509	Outer Fork Pin	2
5	6018W510	Short Cylinder Pin	1
6	Z27107	Composite Bearing, 1-1/4" ID x 1-1/2" long x 1/8" Wall	4
7	Z72531	Serrated Flange Locknut, 3/8NC	5
8	Z76134	Flange Bolt, 3/8NC x 1"	4
9	Z76137	Flange Bolt, 3/8NC x 1-1/4"	1

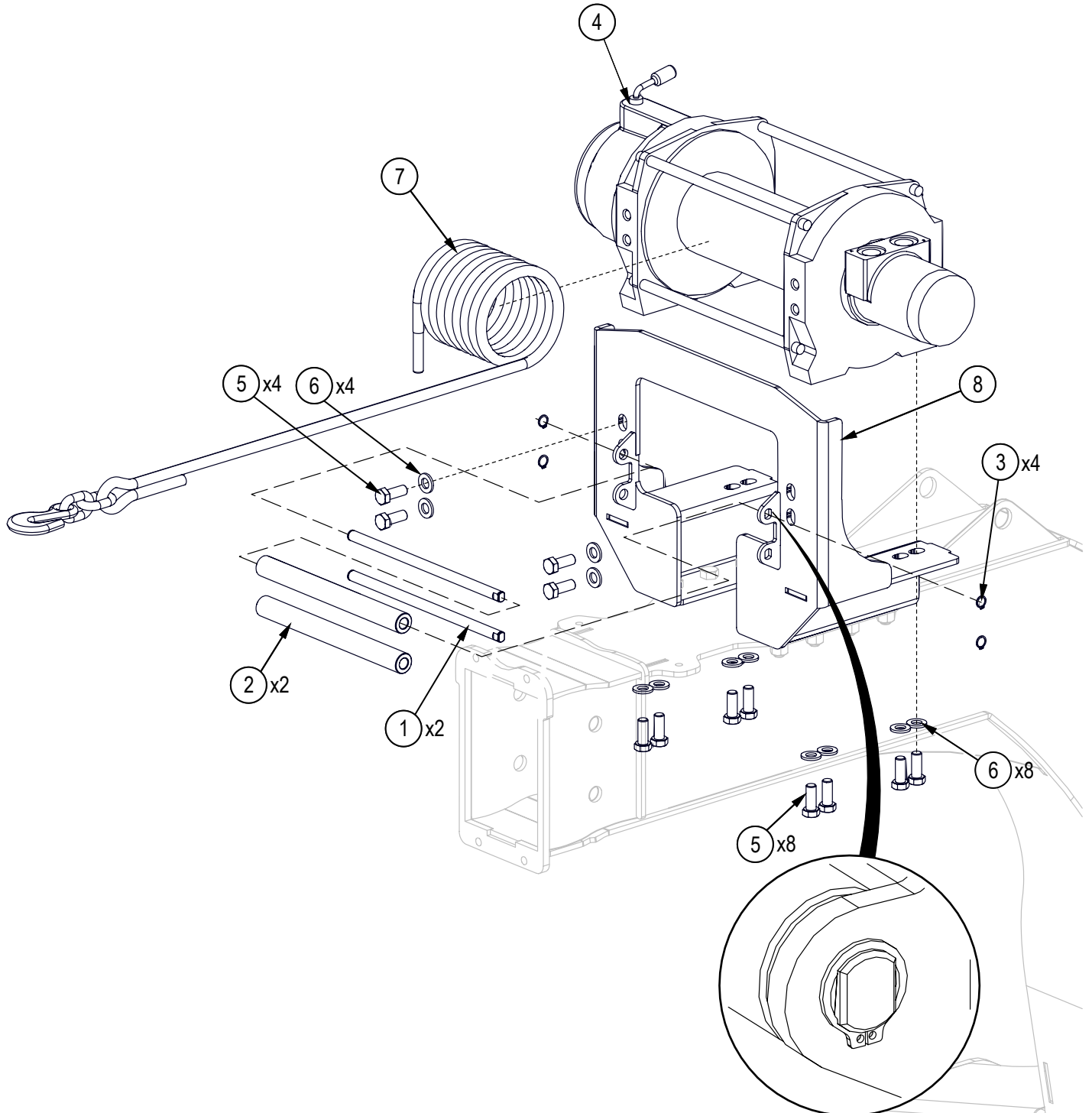
## Outer Fork Assembly



Item No.	Part No.	Description	Qty
1	6018C501	Cylinder, 3" x 1-3/4" x 12-5/8"	1
2	6018L526	Washer, Linkage Retaining	2
3	6018W518	Outer Fork	1
4	6018W504	Linkage	1
5	6018W504H	Linkage Mirror	1
6	6018W511	Long Cylinder Pin	1
7	Z27107	Composite Bearing, 1-1/4" ID x 1-1/2" long x 1/8" Wall	4
8	Z27108	Composite Bearing, 1-1/4" ID x 1-1/8" long x 1/8" Wall	4
9	Z46202	External Retaining Ring, 1-1/4"	2
10	Z72531	Serrated Flange Locknut, 3/8NC	1
11	Z76137	Flange Bolt, 3/8NC x 1-1/4"	1

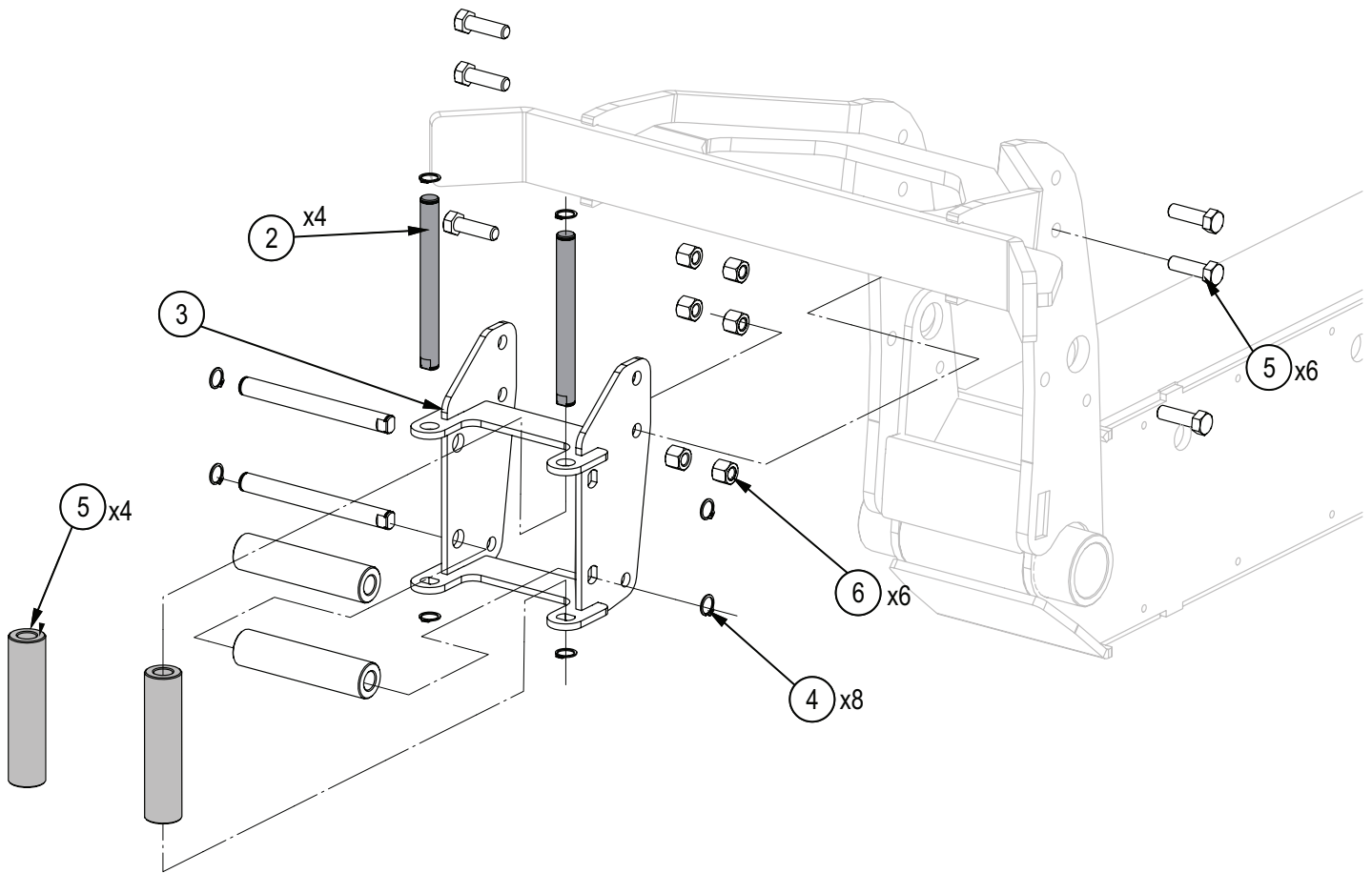


**Winch Assembly**



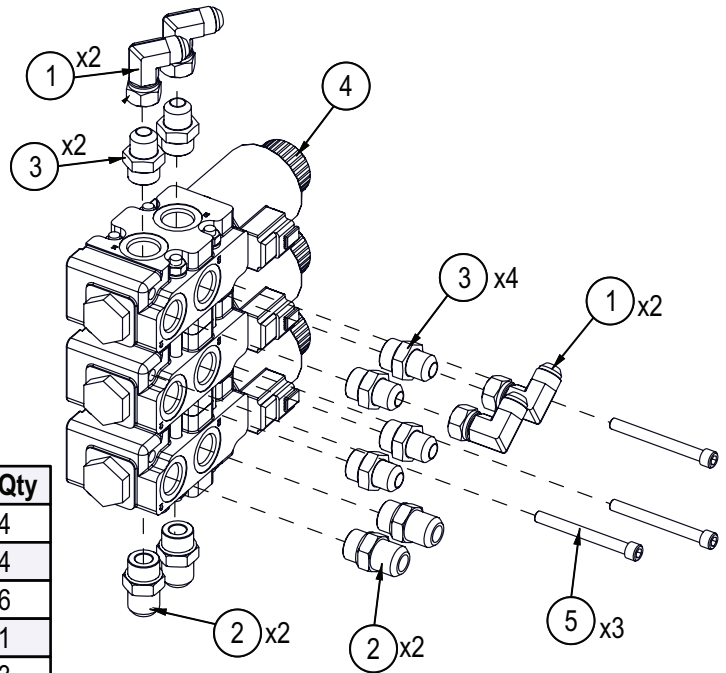
Item No.	Part No.	Description	Qty
1	6018M801	Pin, Long Fairlead	2
2	6018S801	Fairlead, Long	2
3	Z46201	External Retaining Ring, 1/2"	4
4	Z54111	Hydraulic Winch, 9-A-48	1
5	Z77171	Hex Bolt, M12x1.75 x 30mm	12
6	Z77372	DIN 125 Washer, M12	12
7	Z92128	Synthetic Mainline, 1/2" x 100ft x Hook Chain End	1
8	6018W802	Winch Cradle	1

**Fairlead Assembly**



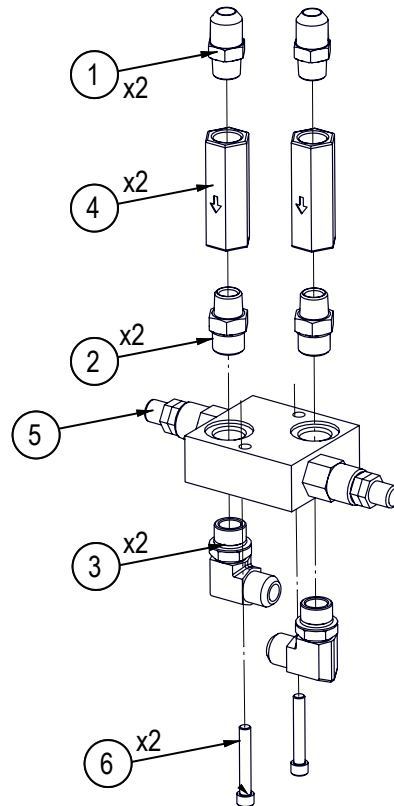
Item No.	Part No.	Description	Qty
1	6018M803	Pin, Short Fairlead	4
2	6018S802	Fairlead, Short	4
3	6018W803	Weldment, Fairlead	1
4	Z46201	External Retaining Ring, 1/2"	8
5	Z71312	Hex Bolt, 3/8NC x 1-1/4"	6
6	Z72231	Hex Lock Nut, 3/8NC	6

**Spool Valve Assembly**



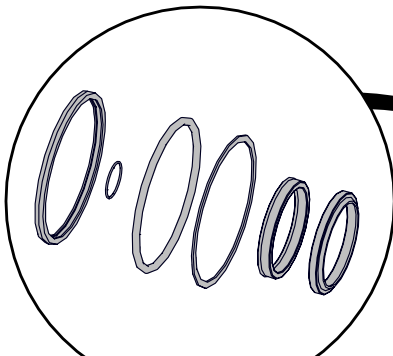
Item No.	Part No.	Description	Qty
1	Z51562	Elbow 90, MJIC x FJICX 0808	4
2	Z516413	Straight, MJIC x MORB 1010	4
3	Z51647	Straight, MJIC x MORB 0810	6
4	Z56616	Triple Spool Valve Assy, Selector SOL 21 GPM	1
5	Z75122	SHCS, 5/16NC x 3"	3

**Relief Valve Assembly**

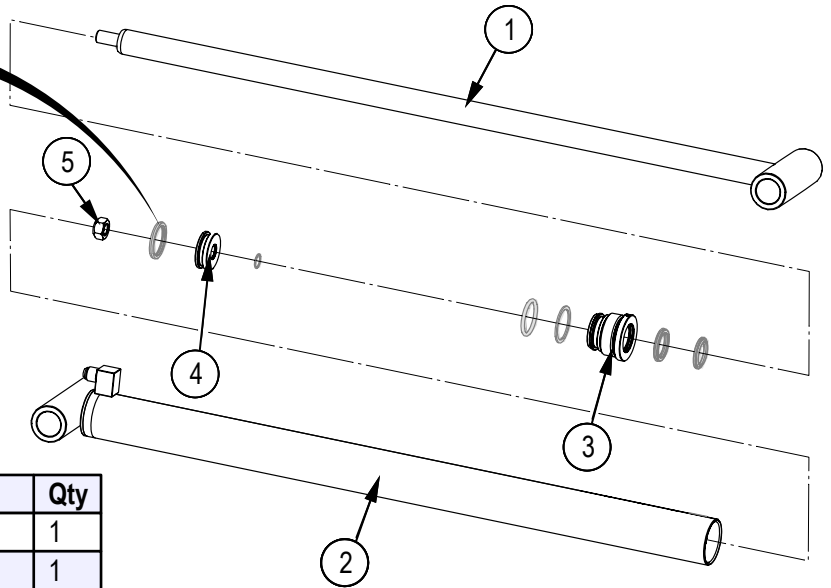


Item No.	Part No.	Description	Qty
1	Z51449	Straight, MJIC x MP 1008	2
2	Z51611	Straight, MORB x MP 1008	2
3	Z516502	Elbow 90, MJIC x MORB 1010	2
4	Z56107	Check Valve, FP08 x 0.110"	2
5	Z56407	Crossover Relief Valve x 2200PSI	1
6	Z75123	SHCS, 5/16NC x 2"	2

**Extension Arm Cylinder Detail**

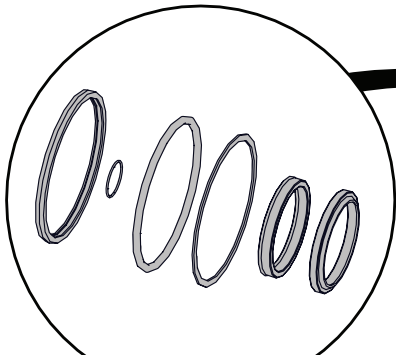


Seal Kit #SLK-1510AN

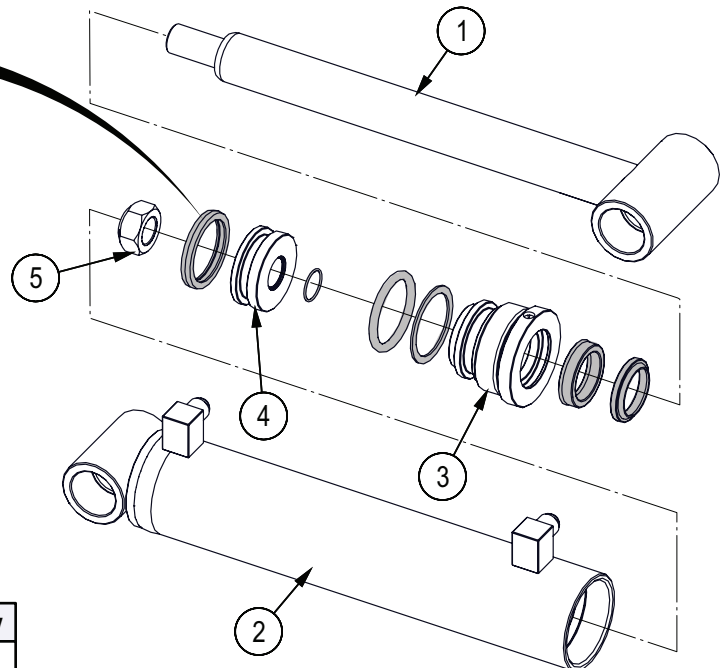


Item No.	Part No.	Description	Qty
1	6018C8013	Rod, 1-1/4" x 3/4NF	1
2	6018C8014	Barrel, 1-1/2"	1
3	G150-100S	Gland, 1-1/2" x 1"	1
4	P500-150SP	Piston, 1-1/2" Bore	1
5	Z72255G8	Hex Top-lock Nut, 1/2NC G8	1

**Grapple Cylinder Detail**

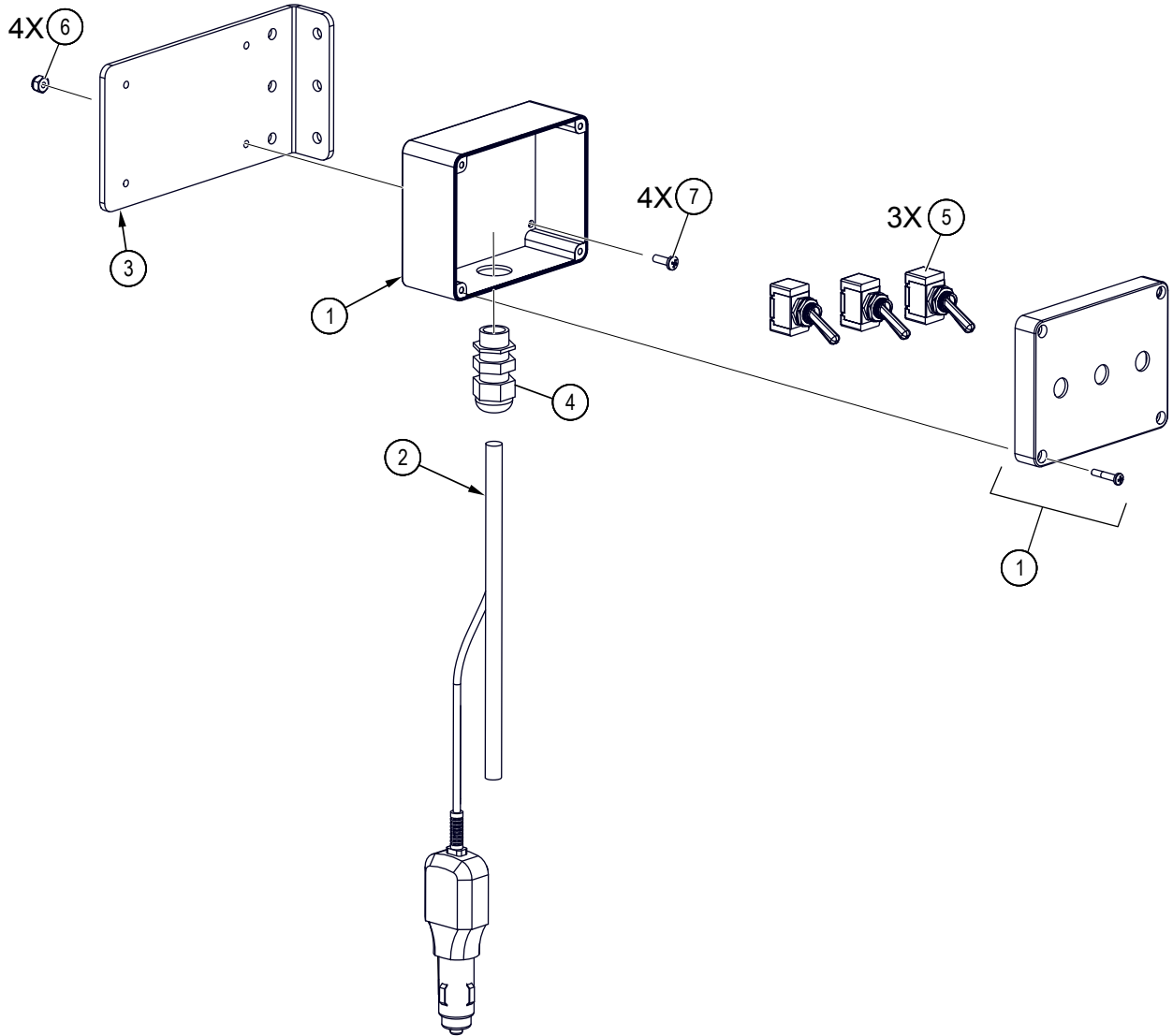


Seal Kit #SLK-3017



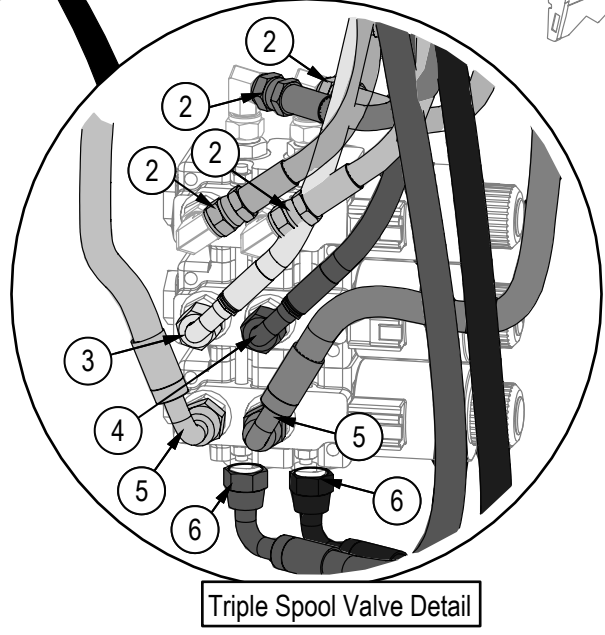
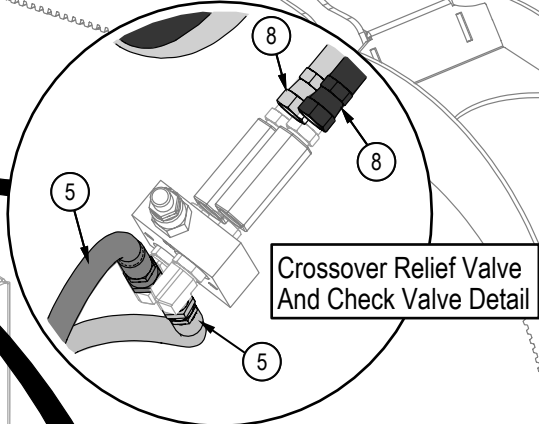
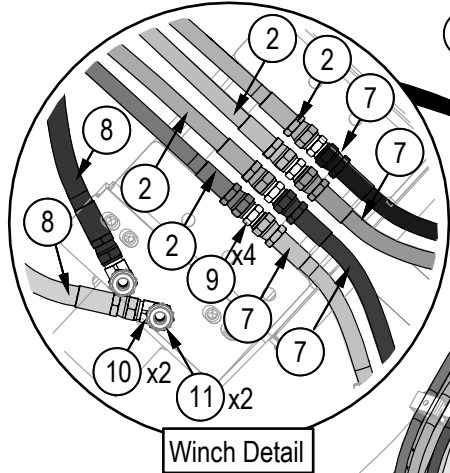
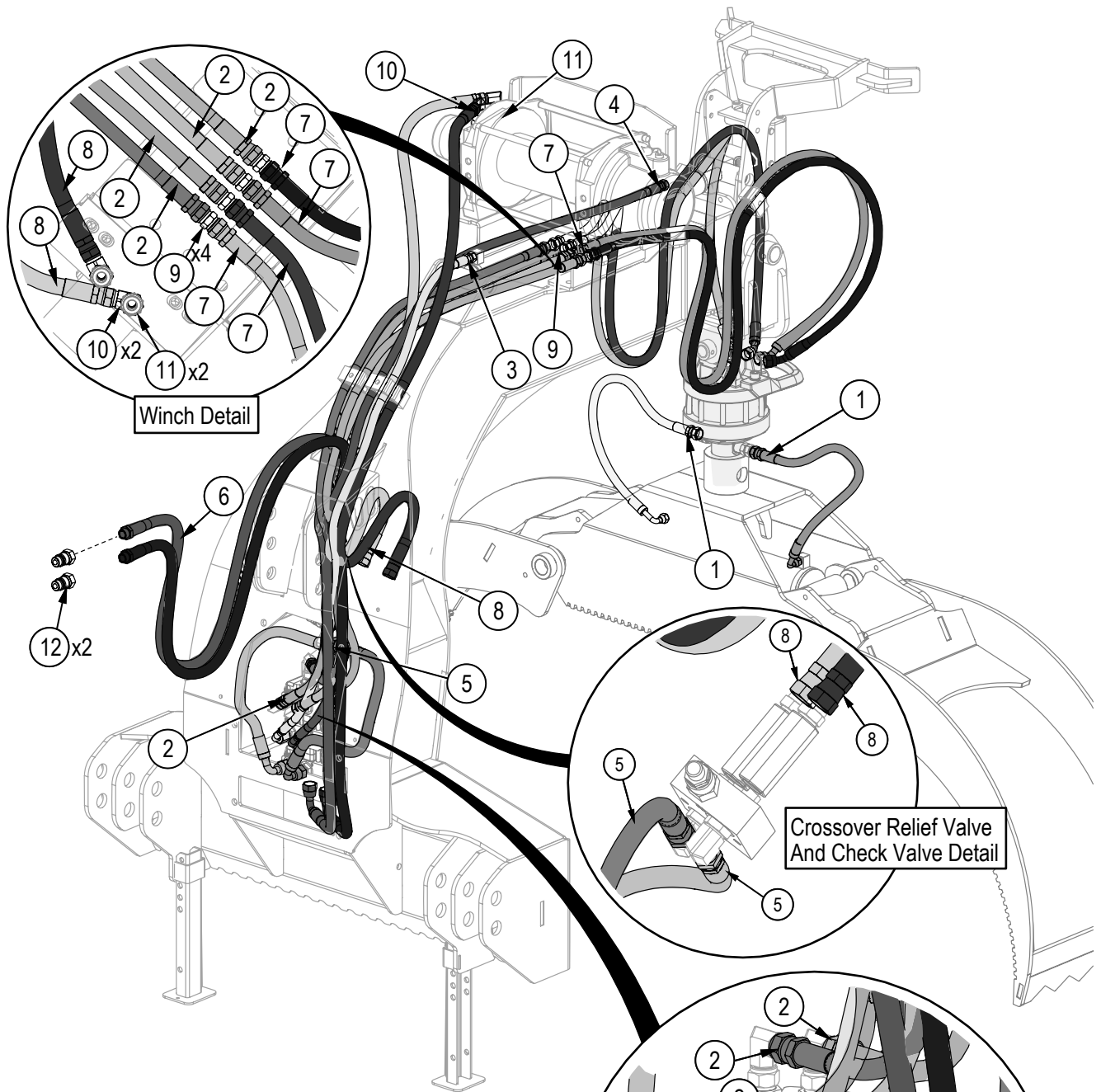
Item No.	Part No.	Description	Qty
1	6018C5013	Rod, 1-3/4" 1"	1
2	6018C5014	Barrel, 3"	1
3	G300-175S	Gland, 3" x 1-3/4"	1
4	P100-300SP	Piston, 3" Bore	1
5	Z722909G8	Hex Top-lock Nut, 1-14NF G8	1

**Control Box**



Item No.	Part No.	Description	Qty
1	Z62215	Junction Box	1
2	6018F801	Wire Harness, 3-Spool Deutsch Connector	1
3	6018L810	Switch Box Mount	1
4	Z62820	Straight Fitting, 3/8" Wire	1
5	Z66108	Toggle Switch, Two Position	3
6	Z72202	Hex Lock Nut, #8NC	4
7	Z78309	Machine Screw, #8NC x 1/2"	4

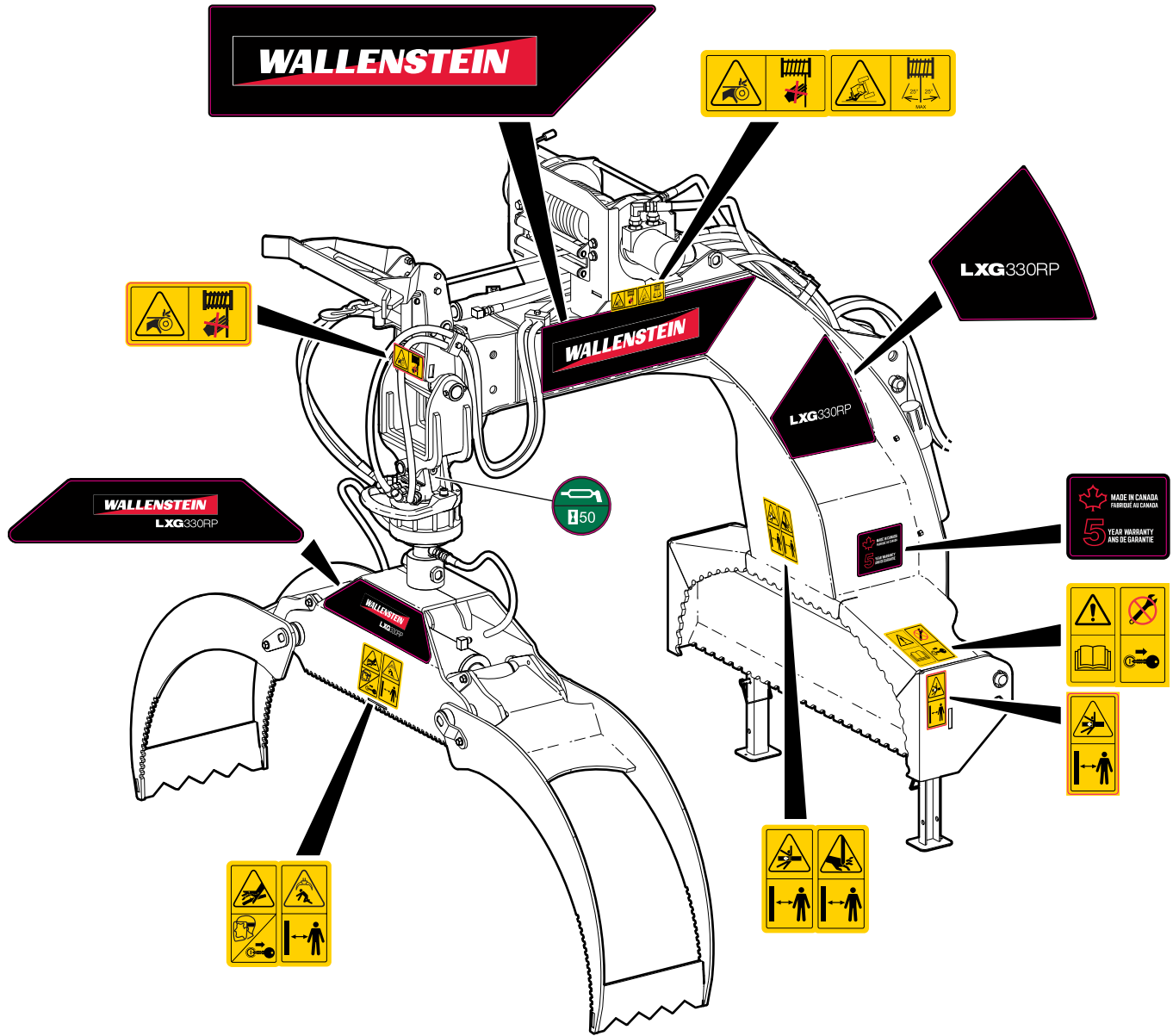
Hydraulic Circuit



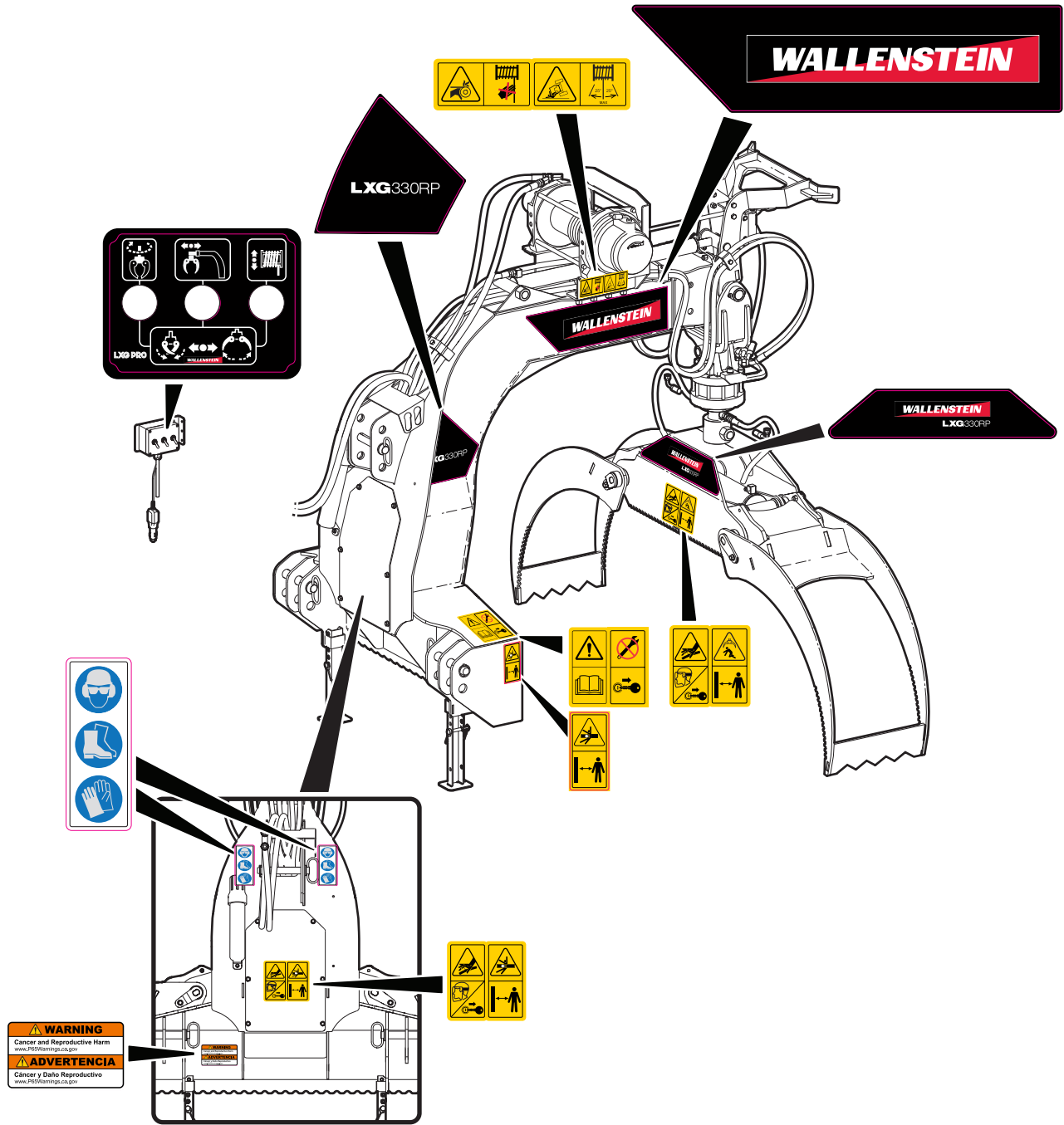
Item No.	Part No.	Description	Qty
1	6018F501	3/8" Hose, FJIC08 x 90FJIC06 x 21"	2
2	6018F802	3/8" Hose, FJIC08 x FJIC08 x 52"	4
3	6018F803	3/8" Hose, FJIC06 x 90FJIC08 x 45"	1
4	6018F804	3/8" Hose, FJIC06 x 90FJIC08 x 70"	1
5	6018F806	1/2" Hose, FJIC10 x 90FJIC10 x 15"	2
6	6018F807	1/2" Hose, MP08 x 90FJIC10 x 80"	2
7	6018F808	3/8" Hose, FJIC08 x 45FJIC08 x 72"	4
8	6018F809	1/2" Hose, FJIC10 x FJIC08 x 58"	2
9	Z51411	Straight, MJIC x MJIC 0808	4
10	Z51564	Elbow 90, MJIC x FJICX 0810	2
11	Z516413	Straight, MJIC x MORB 1010	2
12	Z51926	Quick Coupler, FP08 x M ISO 7241-1	2

**Decal Layout**

**IMPORTANT!** If parts are replaced that have safety signs on them, new signs must be applied. Safety signs must always be replaced if they become damaged, are removed, or become illegible.



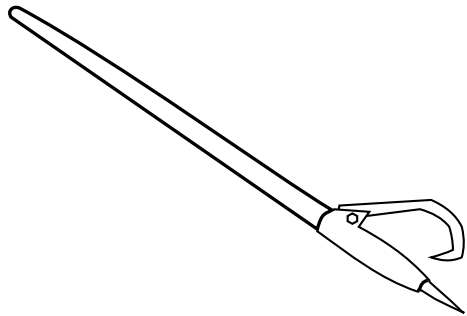
Decal Layout





**Accessories**

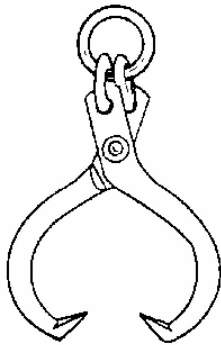
Call your dealer for pricing and availability



**48" Log Peavey – P/N Z99001**

Quality 2-3/8" diameter hardwood handle, with a Western Duck Bill Hook.

Helps to move those heavy log timbers into position.



**Skidding Tongs – P/N Z99003**

Heavy Duty Forged Ring Skidding Tongs

Maximum Opening: 25"

Minimum Opening: 4 1/2"

Tough log skidding tongs are a quick and easy way to skid logs.


## Common Bolt Torque Values

### Checking Bolt Torque

The tables shown give correct torque values for various bolts and capscrews. Tighten all bolts to the torque values specified in the table, unless indicated otherwise. Check tightness of bolts periodically.

**IMPORTANT!** If replacing hardware, use fasteners of the same grade.

**IMPORTANT!** Torque figures indicated in the table are for non-greased or non-oiled threads. Do not grease or oil threads unless indicated otherwise. When using a thread locker, increase torque values by 5%.

 **NOTE:** Bolt grades are identified by their head markings.

### Imperial Bolt Torque Specifications

Bolt Diameter	Torque Value					
	SAE Gr. 2		SAE Gr. 5		SAE Gr. 8	
	lbf•ft	N•m	lbf•ft	N•m	lbf•ft	N•m
1/4"	6	8	9	12	12	17
5/16"	10	13	19	25	27	36
3/8"	20	27	33	45	45	63
7/16"	30	41	53	72	75	100
1/2"	45	61	80	110	115	155
9/16"	60	95	115	155	165	220
5/8"	95	128	160	215	220	305
3/4"	165	225	290	390	400	540
7/8"	170	230	420	570	650	880
1"	225	345	630	850	970	1320



SAE Gr. 2



SAE Gr. 5



SAE Gr. 8

### Metric Bolt Torque Specifications

Bolt Diameter	Torque Value			
	Gr. 8.8		Gr. 10.9	
	lbf•ft	N•m	lbf•ft	N•m
M3	0.4	0.5	1.3	1.8
M4	2.2	3	3.3	4.5
M6	7	10	11	15
M8	18	25	26	35
M10	37	50	52	70
M12	66	90	92	125
M14	83	112	116	158
M16	166	225	229	310
M20	321	435	450	610
M30	1,103	1 495	1,550	2 100



8.8



10.9

## Hydraulic Fitting Torque Values

### Tightening Flare Type Tube Fittings

1. Check flare and flare seat for defects that might cause leakage.
2. Align tube with fitting before tightening.
3. Hand-tighten swivel nut until snug.
4. To prevent twisting the tube, use two wrenches. Place one wrench on the connector body and tighten the swivel nut with the second. Torque to values shown.

If a torque wrench is not available, use the FFFT (Flats From Finger Tight) method.

Hydraulic Fitting Torque					
Tube Size OD	Hex Size Across Flats	Torque value		Flats From Finger Tight	
		lbf·ft	N·m	Flats	Turns
3/16	7/16	8	8	2	1/8
1/4	9/16	11–12	15–17	2	1/8
5/16	5/8	14–16	19–22	2	1/8
3/8	11/16	20–22	27–30	1-1/4	1/8
1/2	7/8	44–48	59–65	1	1/8
5/8	1	50–58	68–79	1	1/8
3/4	1-1/4	79–88	107–119	1	1/8
1	1-5/8	117–125	158–170	1	1/8

Values shown are for non-lubricated connections.