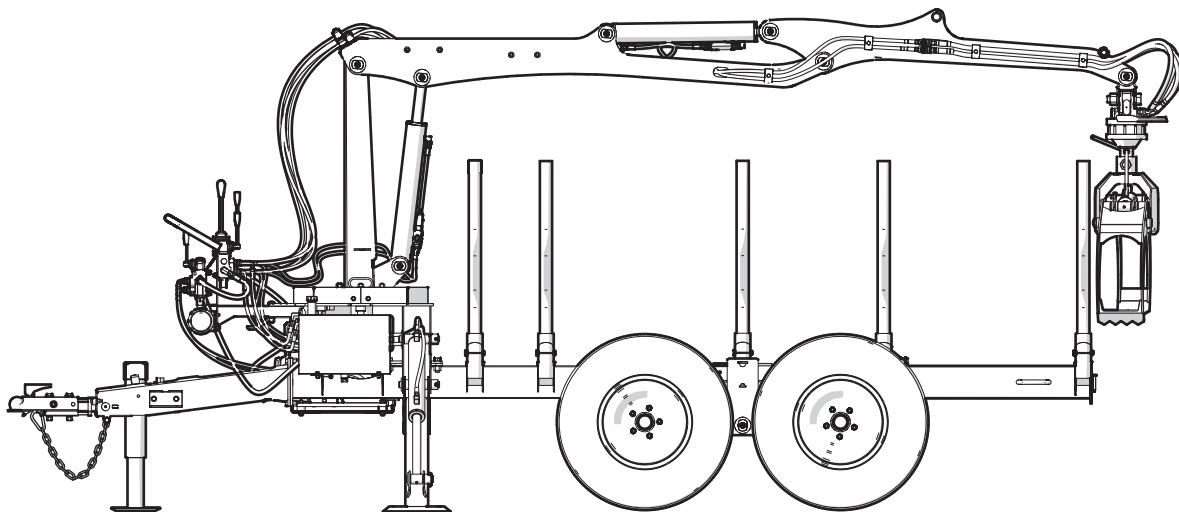


# PARTS MANUAL

---

LXT95 – S/N 2E9US1116FS030006 to 2E9US1116FS030129

## LXT95 Log Trailer and Loader



## Foreword

This Wallenstein parts manual is prepared to assist customers in ordering quality OEM replacement parts.

Regular maintenance combined with replacing old, worn or broken parts with the correct OEM parts is essential in prolonging the life of your Wallenstein product. Refer to this manual to identify replacement parts.

To order parts, contact your Wallenstein dealer or distributor. Have the product model and serial number handy.

If your dealer is no longer available, please go to our website: <http://wallensteinequipment.com> and click on the **Dealer Locator** to find the nearest dealer.

All information contained in this parts manual is current as per the revision date at the bottom of the page. Wallenstein reserves the right to change product specifications at any time without notice.

If your product specifications differ from those contained in this manual, contact Wallenstein for current information.

Reproduction of information in this parts manual is prohibited without prior written permission from Wallenstein Equipment Inc.

Wallenstein Equipment Inc. • © 2018

### **WARNING!**

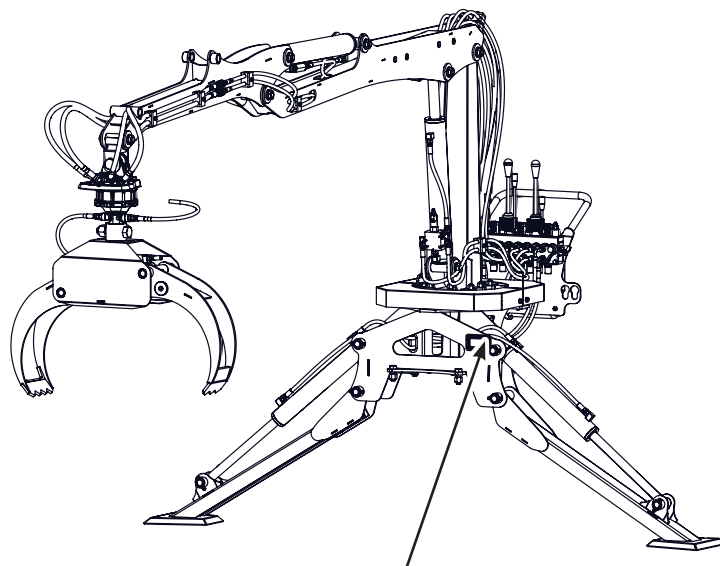
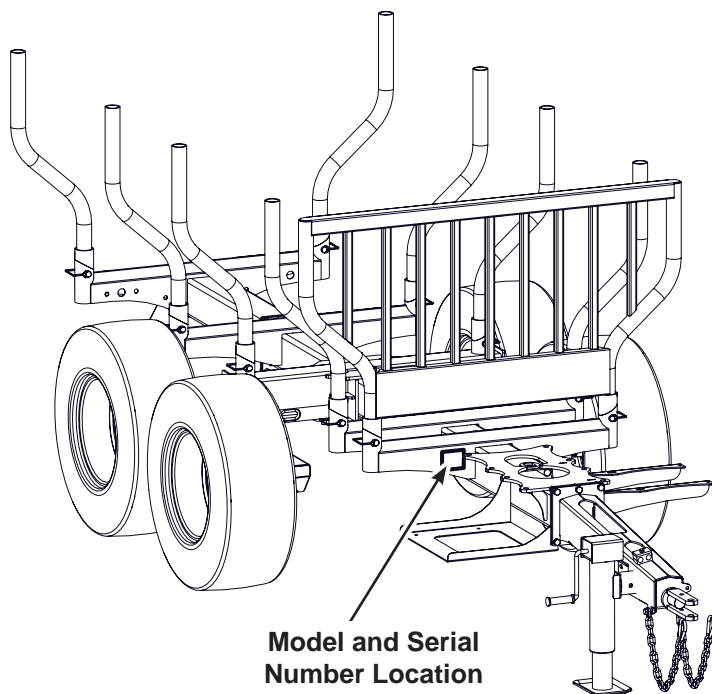
**Refer to the operators manual for safe operation and maintenance.**

**Maintenance should be performed by trained personnel only.**

### **Serial Number Location**

Always provide the model and serial number of your Wallenstein product when ordering parts or requesting service or other information. This information is found on the product information plate as shown below.

**Record product information for future reference.**

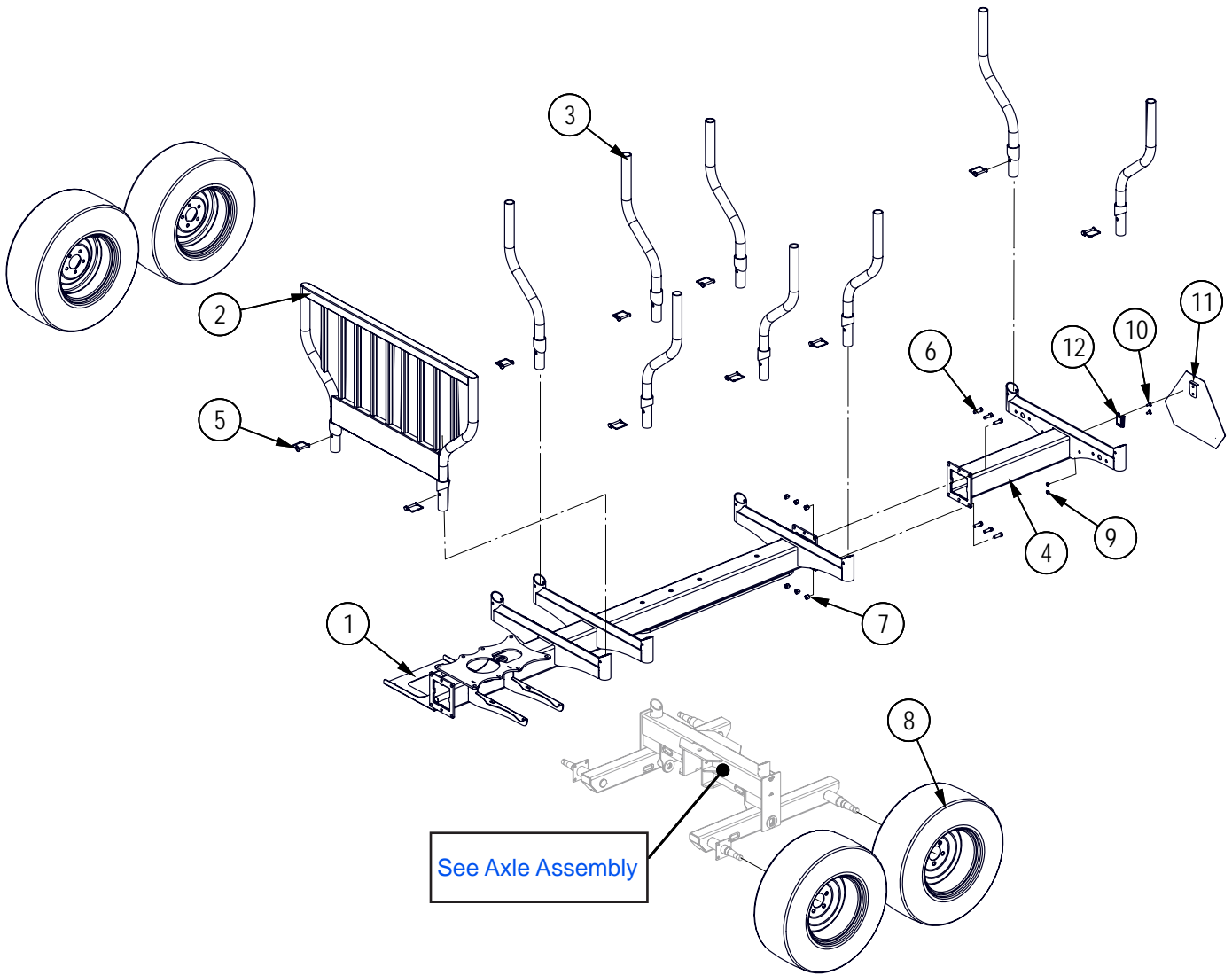


[www.wallensteinequipment.com](http://www.wallensteinequipment.com)

## Contents

Main Frame Assembly .....	4
Axle Assembly .....	5
Tongue Assembly, S/N 2E9US1116FS030006 — 2E9US1116FS030021 .....	7-A
Tongue Assembly, S/N 2E9US1116FS030022 & Up .....	7-B
Brake Drum Assembly.....	8
Hydraulic Brake Assembly.....	9
Hydraulic Surge Brake Assembly .....	9
Adjustable Hydraulic Tandem Assembly.....	10
Hydraulic Tandem Cylinder .....	11
Hydraulic Brakes and Adjustable Tandem Plumbing Diagram .....	12
Power Pack Option Plumbing Diagram .....	13
Electrical Harness.....	14
Control Console.....	15
Stabilizer Assembly .....	16
Slew Housing .....	17
Main Tower .....	18
Main Boom .....	19
Dipper Boom .....	20
Grapple Assembly .....	21
Outer Fork Assembly.....	22
Power Pack Option .....	23
L1400 Hydraulic Winch Kit .....	24
Hydraulic Winch Control.....	25
Hydraulic Winch Assembly.....	26
Winch Drum.....	27
Top Cable .....	28
Main Boom Cylinder .....	29
Dipper Boom Cylinder.....	29
Stabilizer Cylinder .....	30
Grapple Cylinder.....	30
Hydraulic Circuit.....	32
Accessories.....	34
Decal Layout .....	36
Accessories.....	38
Common Bolt Torque Values .....	39
Hydraulic Fitting Torque Values .....	40
Wheel Lug Torque Values .....	40

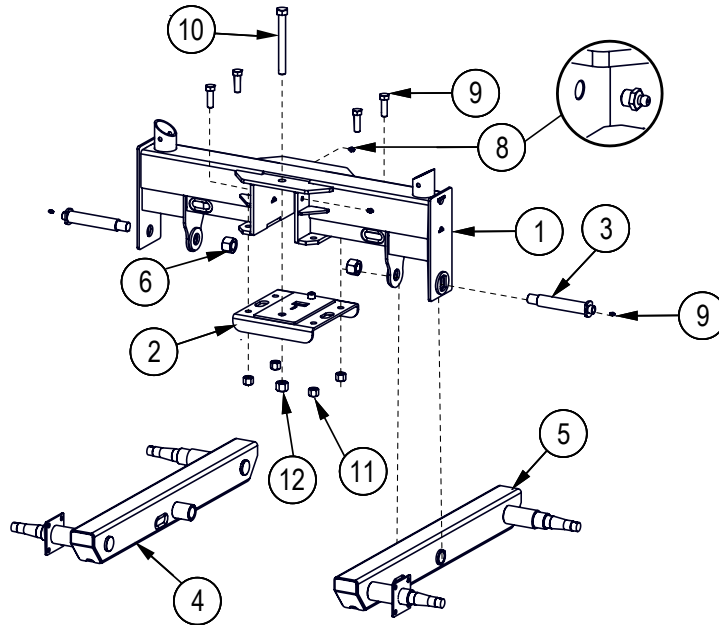
**Main Frame Assembly**



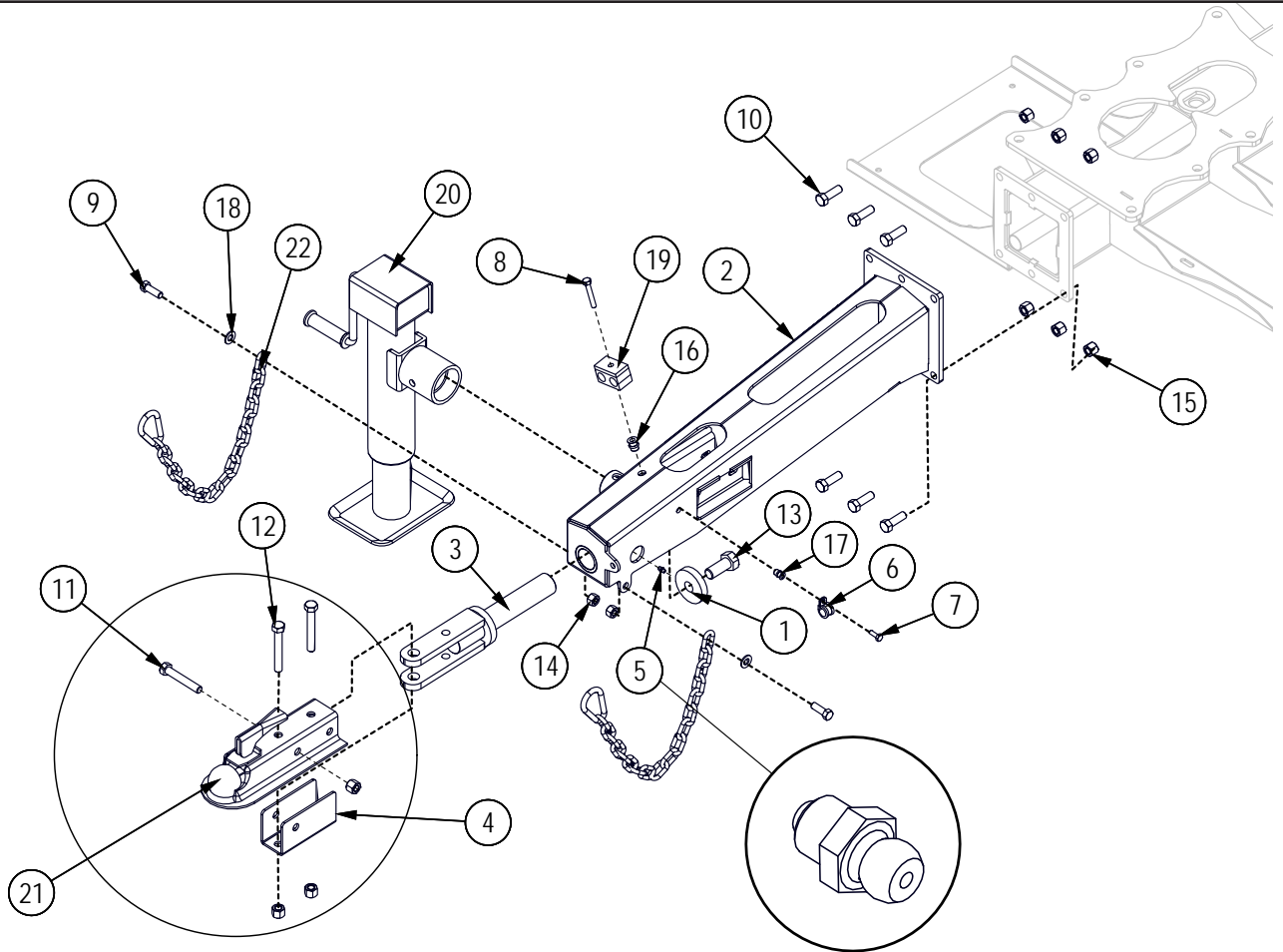
Item No.	Part No.	Description	Qty
1	6050W165	Main Frame	1
2	6050W167	Grill	1
3	6050W168	Bunk Post	8
4	6050W169	Trailer Extension	1
5	Z12432	Snap Lock Pin, 3/8" x 2-1/2"	10
6	Z71515	Hex Bolt, 1/2NC x 1-1/2"	6
7	Z72251	Hex Lock Nut, 1/2NC	6
8	Z91328	27x10.5-15 (TL) 8PR Multi-Trac 5on4-1/2"	4
9	Z72121	Hex Nut, 5/16NC	2
10	Z76221	Carriage Bolt, 5/16NC x 3/4"	2
11	6050W163	SMV Bracket	1
12	Z96603	SMV Socket	1



## Axle Assembly

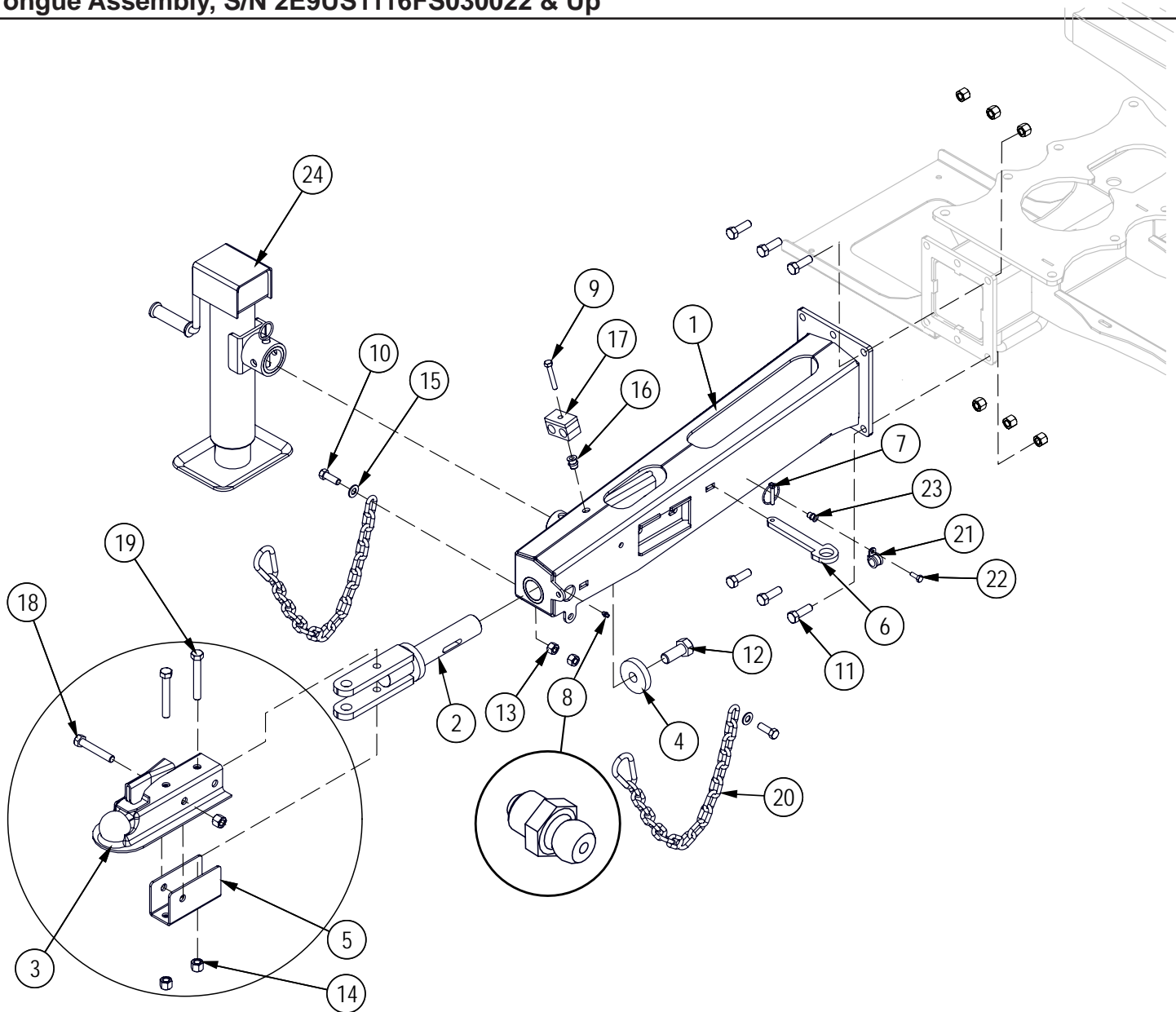


Item No.	Part No.	Description	Qty
1	6050W166	Axle	1
2	6050W151	Axle Capture	1
3	6050W157	Pin, Axle Main	2
4	6083W330	Axle, RH Rocker	1
5	6083W330H	Axle, LH Rocker	1
6	Z72292G8	Hex Lock Nut, 1-14NF G8	2
7	Z29201	Grease Fitting, MP02	2
8	Z29202	Grease Fitting, 1/4NF	2
9	Z71620	Hex Bolt, 5/8NC x 2"	4
10	Z71775	Hex Bolt, 3/4NC x 7-1/2"	1
11	Z72261	Hex Lock Nut, 5/8NC	4
12	Z72271	Hex Lock Nut, 3/4NC	1

**Tongue Assembly, S/N 2E9US1116FS030006 — 2E9US1116FS030021**

Item No.	Part No.	Description	Qty
1	6050L627	Washer, Hitch Capture	1
2	6050W154	Tongue	1
3	6050W155	Hitch	1
4	6089L350	Ball Hitch Mount	1
5	Z29202	Grease Fitting, 1/4NF	1
6	Z62819	Rubberized Wire Clamp, 1/2"	1
7	Z71107	Hex Bolt, 1/4NC x 3/4"	1
8	Z71220	Hex Bolt, 5/16NC x 2"	1
9	Z71412	Hex Bolt, 7/16NC x 1-1/4"	2
10	Z71515	Hex Bolt, 1/2NC x 1-1/2"	6
11	Z71530	Hex Bolt, 1/2NC x 3"	1
12	Z71535	Hex Bolt, 1/2NC x 3-1/2"	2
13	Z71784G8	Hex Bolt, 3/4NF x 1-3/4"	1
14	Z72241	Hex Lock Nut, 7/16NC	2
15	Z72251	Hex Lock Nut, 1/2NC	9
16	Z72957	Rivet Nut, 5/16NC x 312	1
17	Z72962	Rivet Nut, 1/4NC x 260	1
18	Z73142	SAE Washer, 7/16"	2
19	Z79463	Double Hose Clamp, 11/16" OD	1
20	Z91512	Trailer Jack, Side Wind x 2000lbs	1
21	Z91614	Hitch Coupler, 2" Ball x 2" x 3500lbs	1
22	Z92303	Safety Chain, 1/4" x 2ft with Snap	2

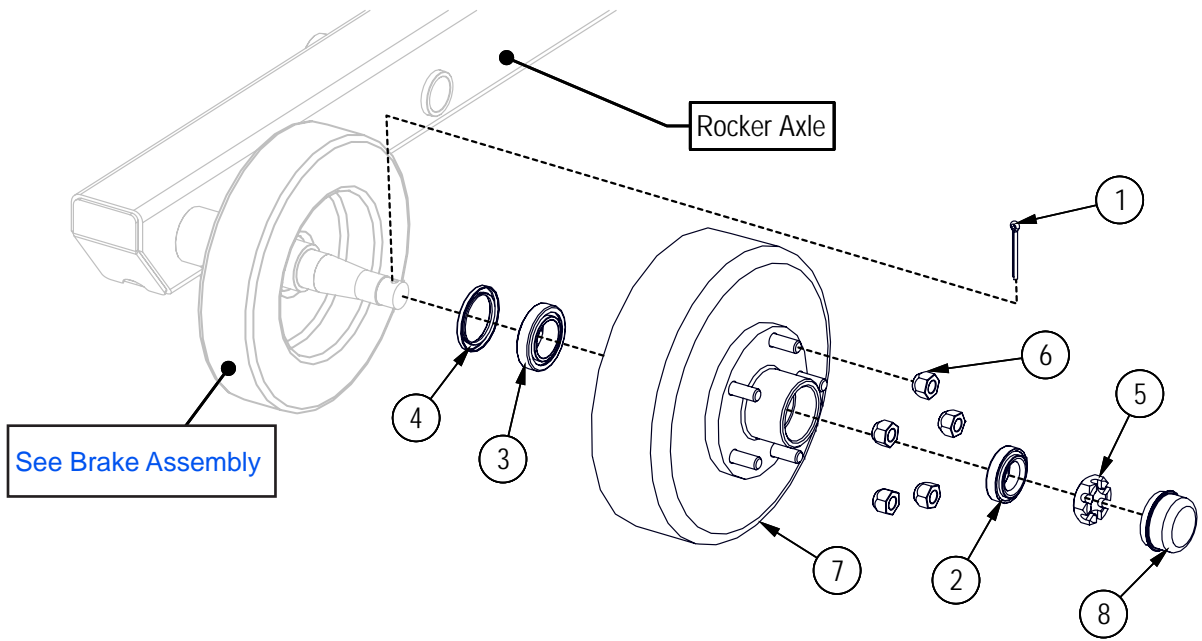
**Tongue Assembly, S/N 2E9US1116FS030022 & Up**



Item No.	Part No.	Description	Qty
1	6050W154	Tongue	1
2	6050W155	Hitch	1
3	Z91614	Hitch Coupler, 2" Ball x 2" x 3500lbs	1
4	6050L627	Washer, Hitch Capture	1
5	6089L350	Ball Hitch Mount	1
6	6089L353	Hitch Anti-Rotating Pin	1
7	Z12120	Lynch Pin, 1/4"	1
8	Z29202	Grease Fitting, 1/4NF	1
9	Z71220	Hex Bolt, 5/16NC x 2"	1
10	Z71412	Hex Bolt, 7/16NC x 1-1/4"	2
11	Z71515	Hex Bolt, 1/2NC x 1-1/2"	6
12	Z71784G8	Hex Bolt, 3/4NF x 1-3/4"	1
13	Z72241	Hex Lock Nut, 7/16NC	2

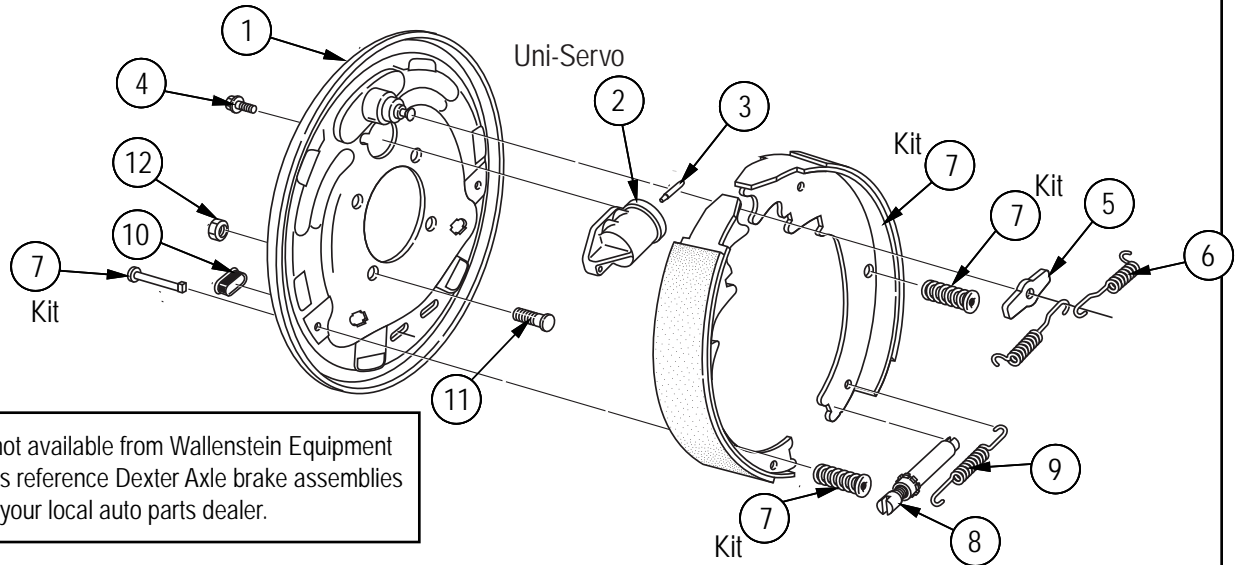
Item No.	Part No.	Description	Qty
14	Z72251	Hex Lock Nut, 1/2NC	9
15	Z73142	SAE Washer, 7/16"	2
16	Z72957	Rivet Nut, 5/16NC x 312	1
17	Z79463	Double Hose Clamp, 11/16" OD	1
18	Z71530	Hex Bolt, 1/2NC x 3"	1
19	Z71535	Hex Bolt, 1/2NC x 3-1/2"	2
20	Z92303	Safety Chain, 1/4" x 2ft with Snap	2
21	Z62819	Rubberized Wire Clamp, 1/2"	1
22	Z71107	Hex Bolt, 1/4NC x 3/4"	1
23	Z72962	Rivet Nut, 1/4NC x 260	1
24	Z91512	Trailer Jack, Side Wind x 2000lbs	1

**Brake Drum Assembly**



Item No.	Part No.	Description	Qty
1	Z12321	Cotter Pin, 3/16" x 1-3/4"	2
2	Z23202	Roller Bearing, L44649 L44610	2
3	Z23205	Roller Bearing, L68149 L68111	1
4	Z28202	Single Lip Seal, 1-3/4"	1
5	Z72691	Castle Nut, 1NF x 9/16" Thick	1
6	Z72931	Lug Nut, 1/2NF	5
7	Z91708	Brake Drum, 10" x 1750lbs 5on4-1/2" Drum Only	1
8	Z91801	Dust Cap, 1.98 Bore	1

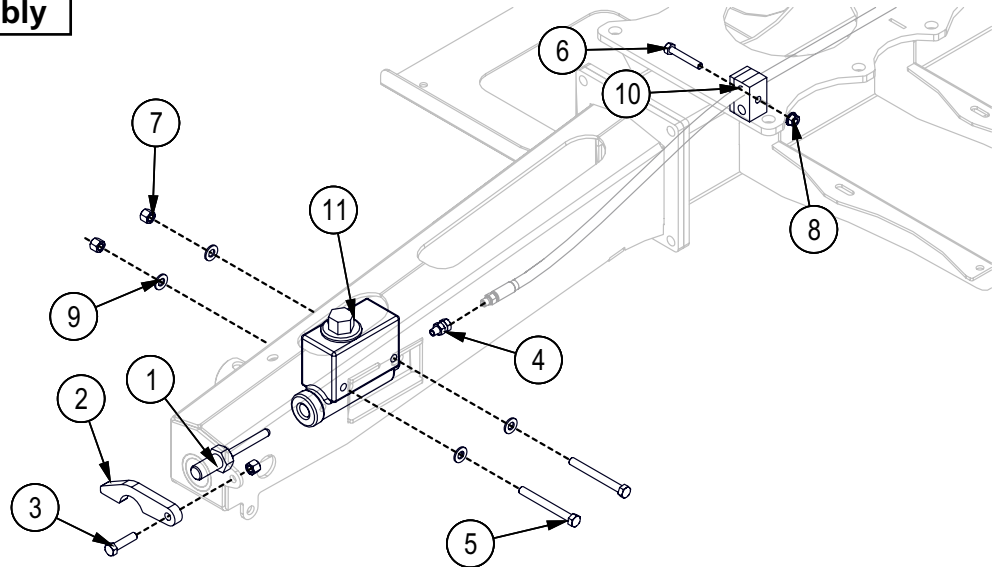
### Hydraulic Brake Assembly



Note: Brake parts are not available from Wallenstein Equipment Inc. Brake part numbers reference Dexter Axle brake assemblies and are available from your local auto parts dealer.

Item No.	Part No.	Description	Qty	Item No.	Part No.	Description	Qty
	K23-312-00	LH Complete Brake Assembly-Uni Servo	1	7	K71-267-00	Shoe & Lining Kit Contains:	1
	K23-313-00	RH Complete Brake Assembly-Uni Servo (shown)	1		#040-210-00	Primary Shoe & Lining	1
1	036-094-03	Backing Plate Assembly (includes item #11)	1		#040-211-00	Secondary Shoe & Lining	1
2	054-064-00	LH Brake Cylinder Uni-Servo	1		#046-077-00	Shoe Hold Down Spring & Cup	2
2	054-065-00	RH Brake Cylinder Uni-Servo	1		#049-002-00	Shoe Hold Down Pin #8	2
3	054-060-00	Cylinder Push Rod	1	8	043-004-00	Adjuster Assembly	1
4	087-001-00	Sems (screw & washer assembly)	2	9	046-018-00	Adjusting Screw Spring	1
5	005-113-00	Anchor Post Washer	1	10	046-007-00	Adjuster Slot Plug	1
6	046-009-00	Retractor Spring	2	11	007-041-00	Brake Mounting Bolt - Press-in	4
				12	Z72242	Hex Lock Nut, 7/16NF	4
				not shown	054-089-00	Bleeder Screw (included with item #2)	1

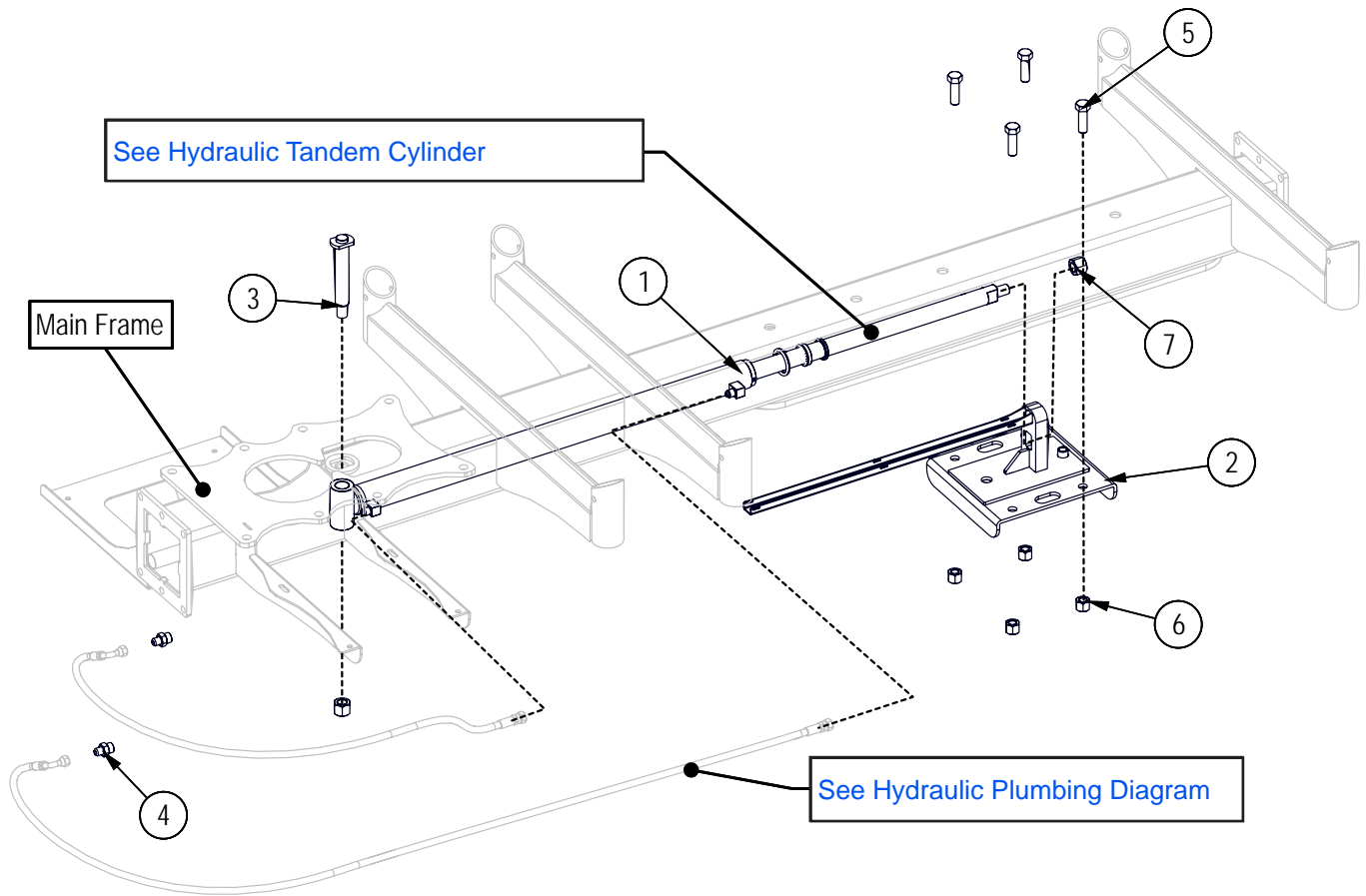
### Hydraulic Surge Brake Assembly



Item No.	Part No.	Description	Qty
1	6050W156	Brake, Plunger	1
2	6050L631	Plate, Brake Plunger Stop	1
3	Z71315	Hex Bolt, 3/8NC x 1-1/2"	1
4	Z51315	Straight, MP x FPX 0202	1
5	Z71335	Hex Bolt, 3/8NC x 3-1/2"	2
6	Z71220	Hex Bolt, 5/16NC x 2"	1

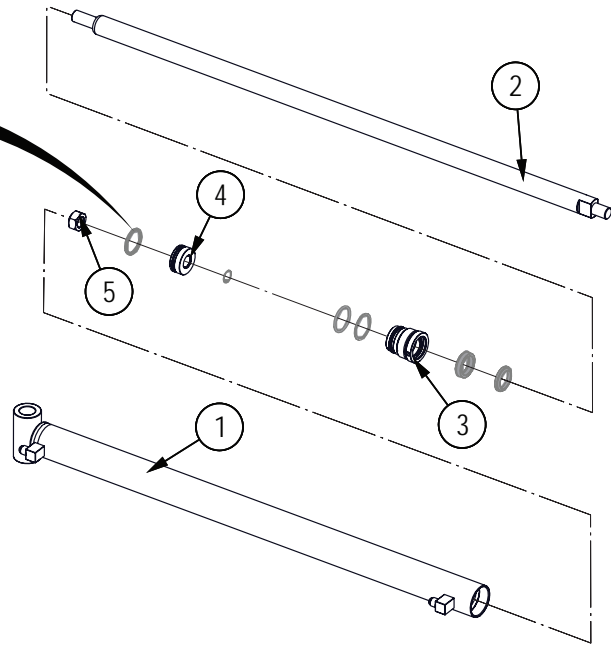
Item No.	Part No.	Description	Qty
7	Z72231	Hex Lock Nut, 3/8NC	3
8	Z72521	Serrated Flange Locknut, 5/16NC	1
9	Z73131	SAE Washer, 3/8"	4
10	Z79462	Double Hose Clamp, 1/2" OD	1
11	Z91709	Master Cylinder, 1-1/4" Bore	1

**Adjustable Hydraulic Tandem Assembly**



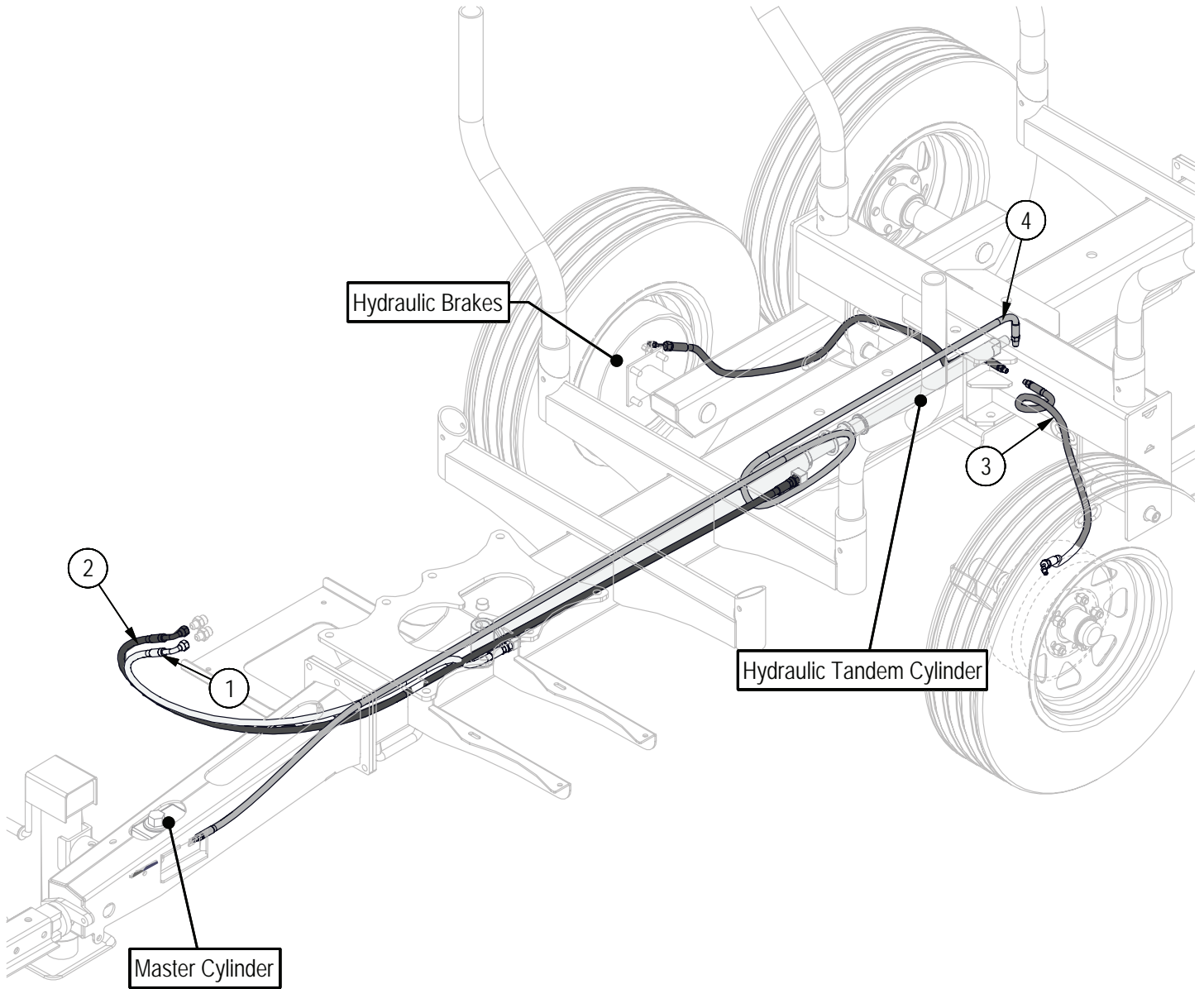
Item No.	Part No.	Description	Qty
1	6050C015	Cylinder, 1-3/4" x 1-1/4" x 29-1/2"	1
2	6083W320	Axle Capture, Hydraulic Tandem	1
3	6050W158	Pin, Axle Cylinder	1
4	Z51644	Straight, MJIC x MORB 0608	2
5	Z71620	Hex Bolt, 5/8NC x 2"	4
6	Z72261	Hex Lock Nut, 5/8NC	4
7	Z72272G8	Hex Lock Nut, 3/4NF G8	2

**Hydraulic Tandem Cylinder**



Item No.	Part No.	Description	Qty
1	6050C0154	Barrel, 2" Bore	1
2	6050C0152	Rod, 1-1/4x3/4	1
3	G175-125S	Gland, 1-3/4" x 1-1/4"	1
4	P750-175SP	Piston, 1-3/4" Bore	1
5	Z72275	Hex Top-lock Nut, 3/4NC	1

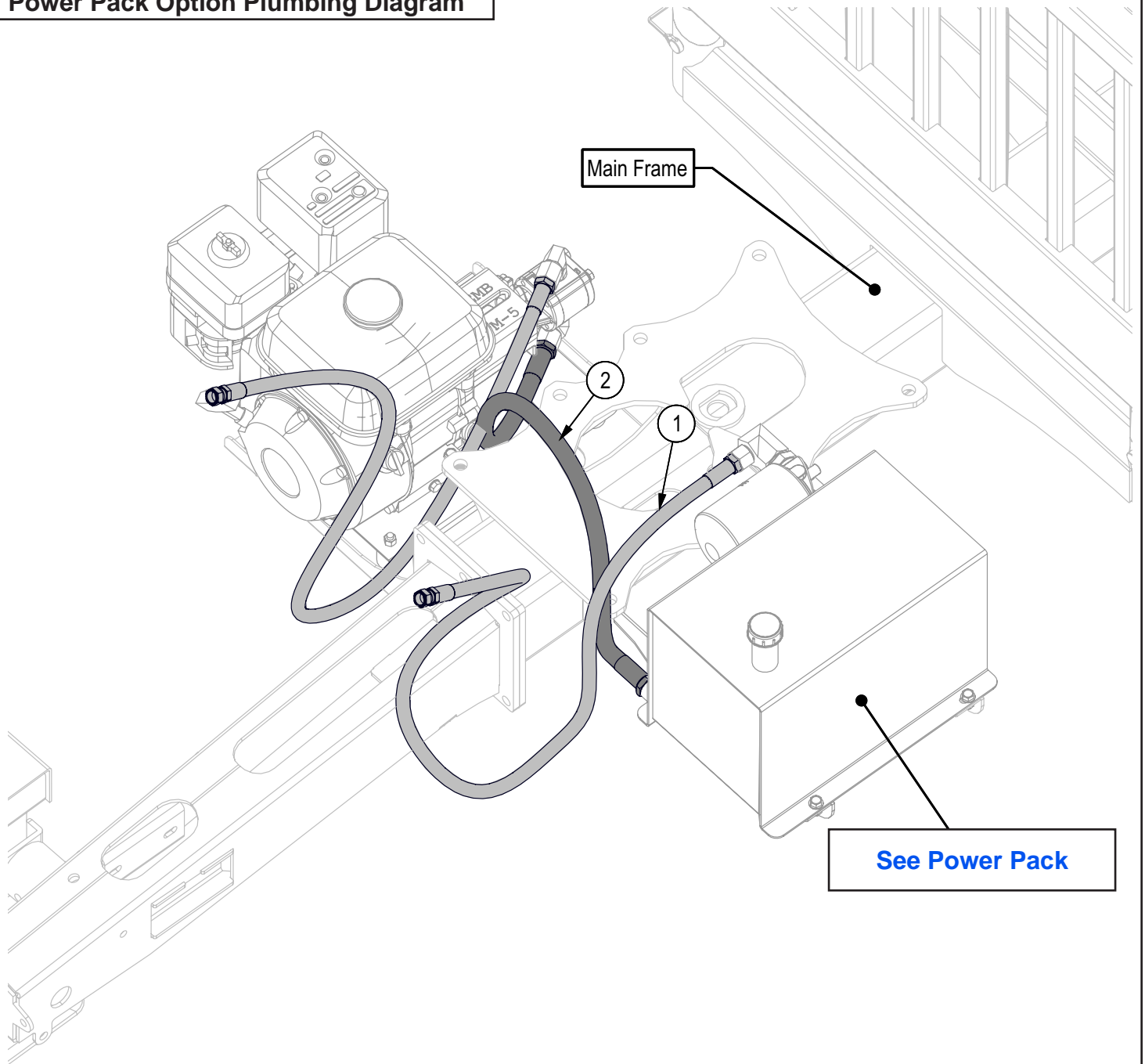
**Hydraulic Brakes and Adjustable Tandem Plumbing Diagram**



Item No.	Part No.	Description	Qty
1	6083F301	1/4" Hose, FJIC06 x 90FJIC06 x 45"	1
2	6083F302	1/4" Hose, FJIC06 x 90FJIC06 x 74"	1
3	6083F303	1/4" Hose, MP04 x 45 Male Inverted Flare 02 x 34"	2
4	6083F304	1/4" Hose, MP04 x MP02 x 116"	1

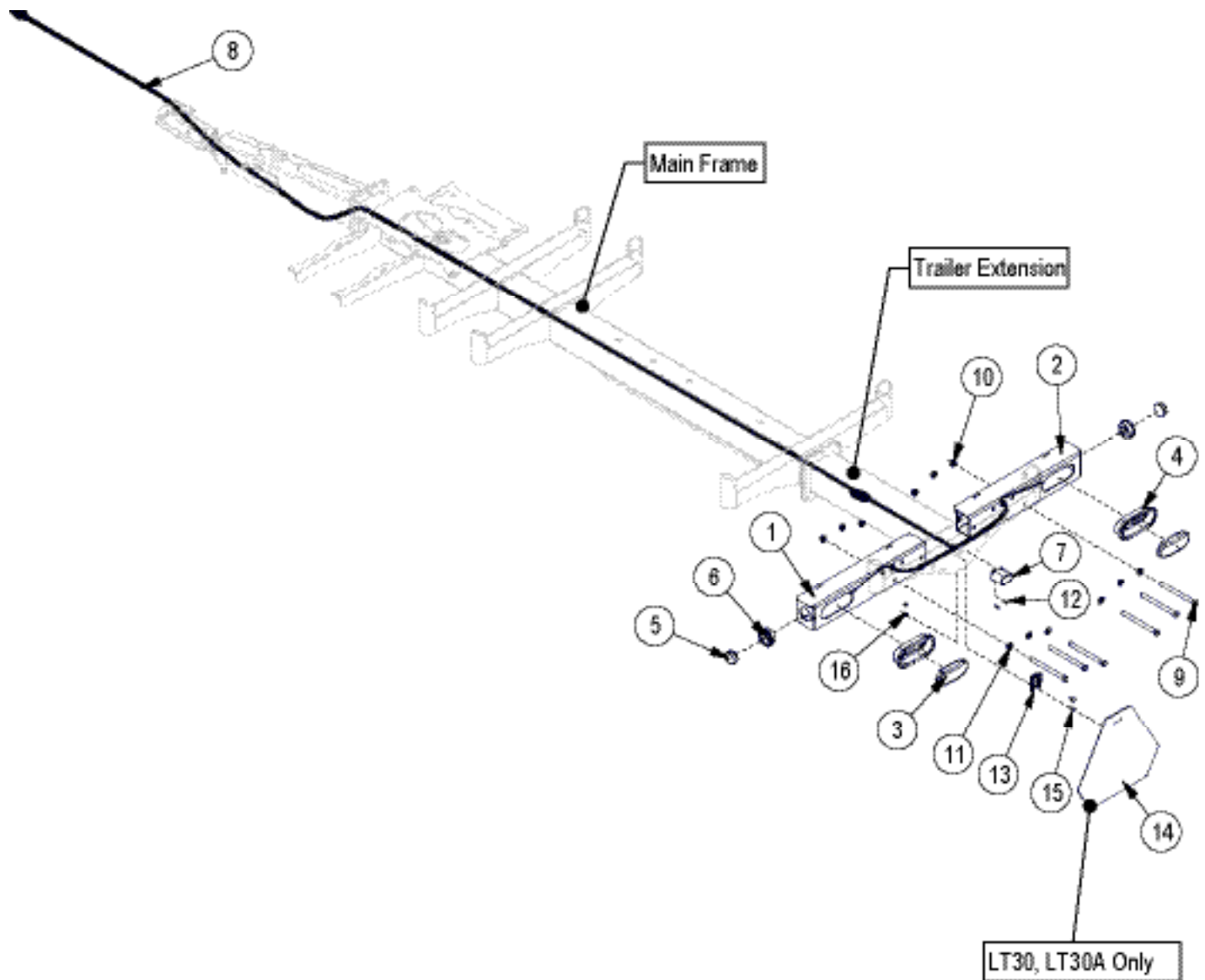


**Power Pack Option Plumbing Diagram**



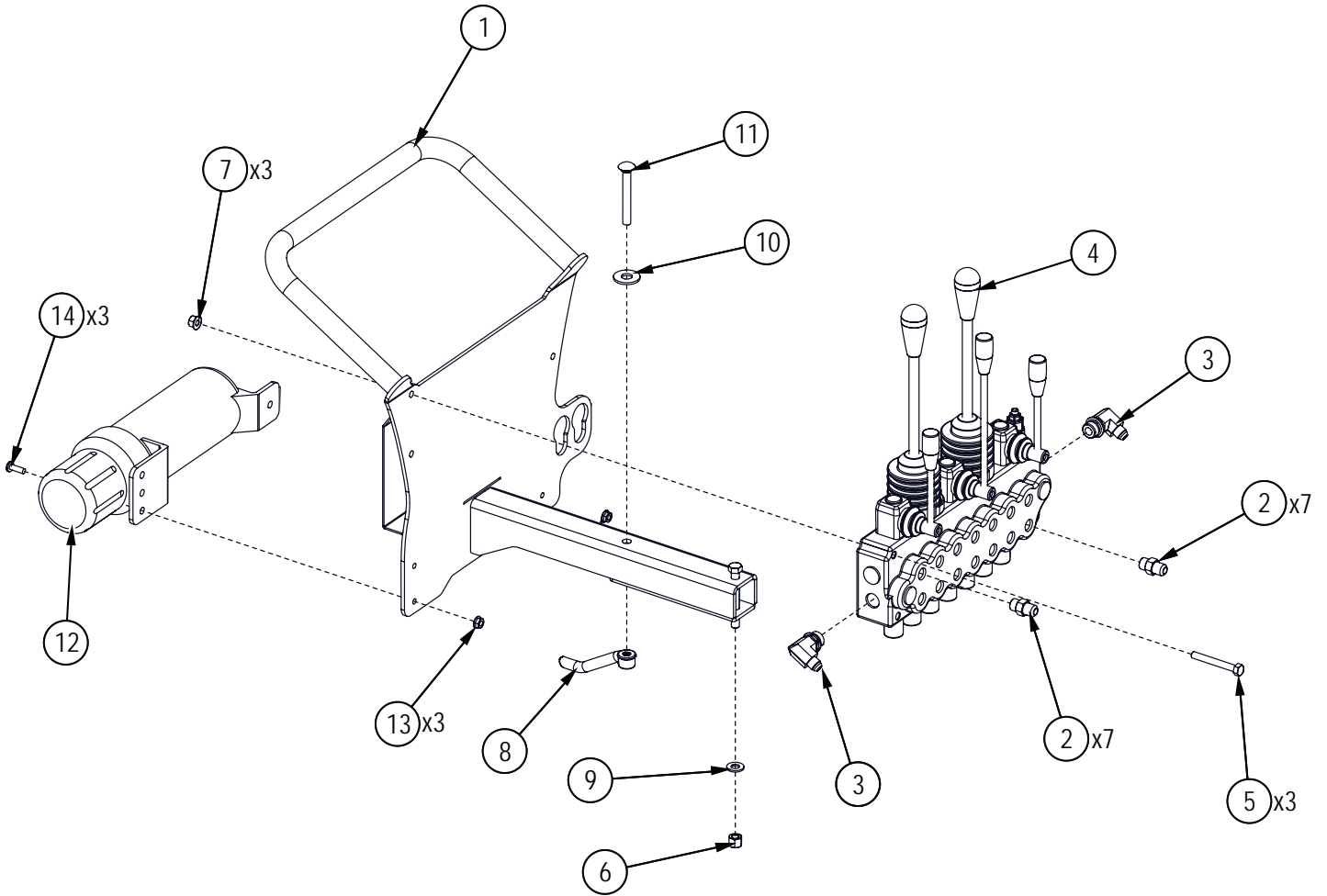
Item No.	Part No.	Description	Qty
1	Z52260	3/8" Hose, FJIC06 x MP08 x 48"	2
2	Z52347	1/2" Hose, MP08 x MP08 x 30"	1

## Electrical Harness



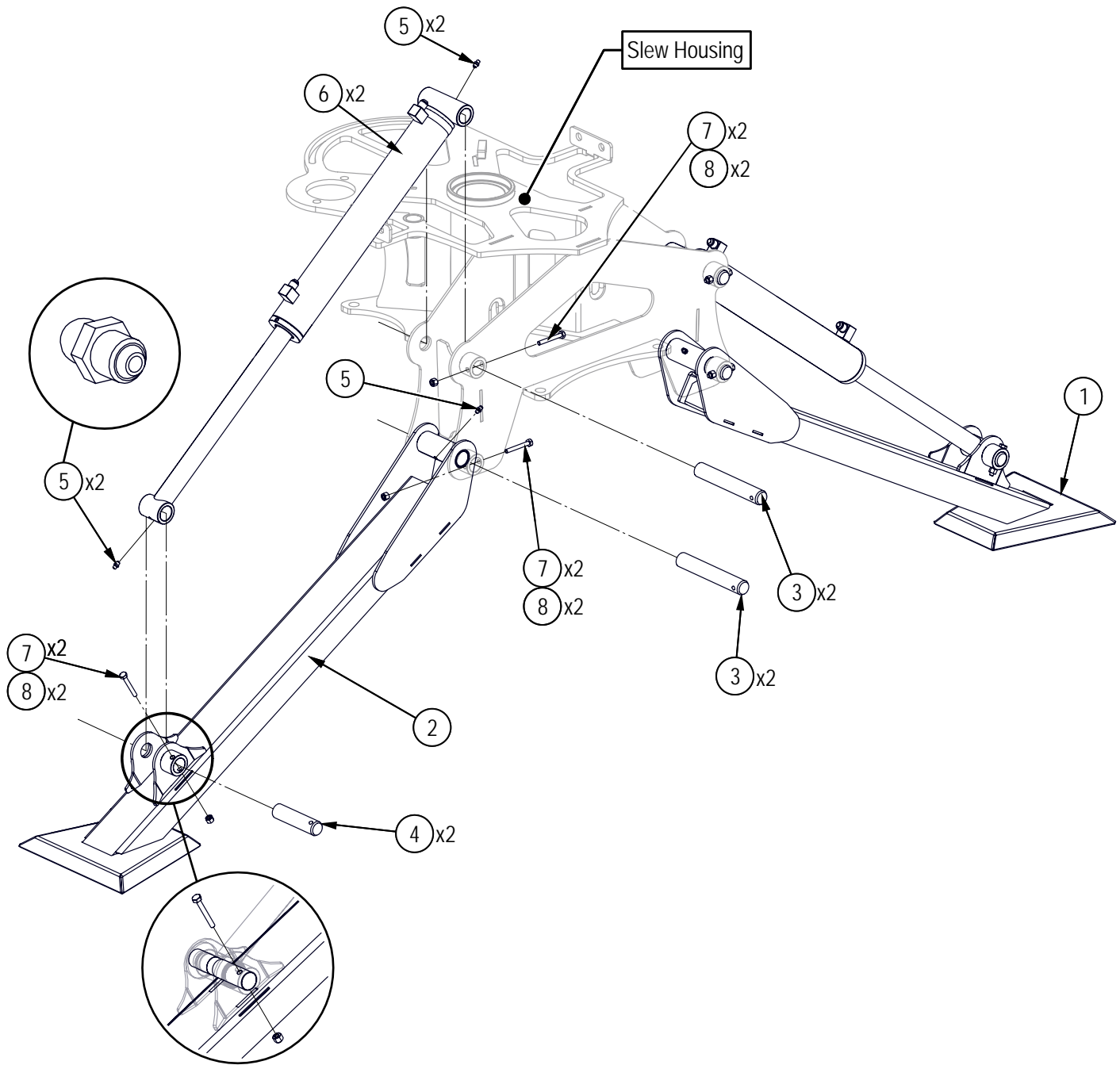
Item No.	Part No.	Description	Qty
1	6089W372	Light Bracket, LH	1
2	6089W372H	Light Bracket, RH	1
3	Z61102	STT Lamp, Oval	2
4	Z61103	Grommet, Oval x Open Back	2
5	Z61201	Marker Lamp, Round x Red	2
6	Z61202	Grommet, Round x Open Back	2
7	Z61301	License Lamp, White	1
8	6089F351	Harness, LT30 Lights	1
9	Z71568	Hex Bolt, 1/2NC x 7"	6
10	Z72551	Serrated Flange Locknut, 1/2NC	6
11	Z73151	SAE Washer, 1/2"	6
12	Z76712	Self-tapping Screw, #10 x 3/4"	2
13	Z96603	Socket, Slow Moving Vehicle	1
14	6050W163	SMV Bracket	1
15	Z76221	Carriage Bolt, 5/16NC x 3/4"	2
16	Z72121	Hex Nut, 5/16NC	2

**Control Console**



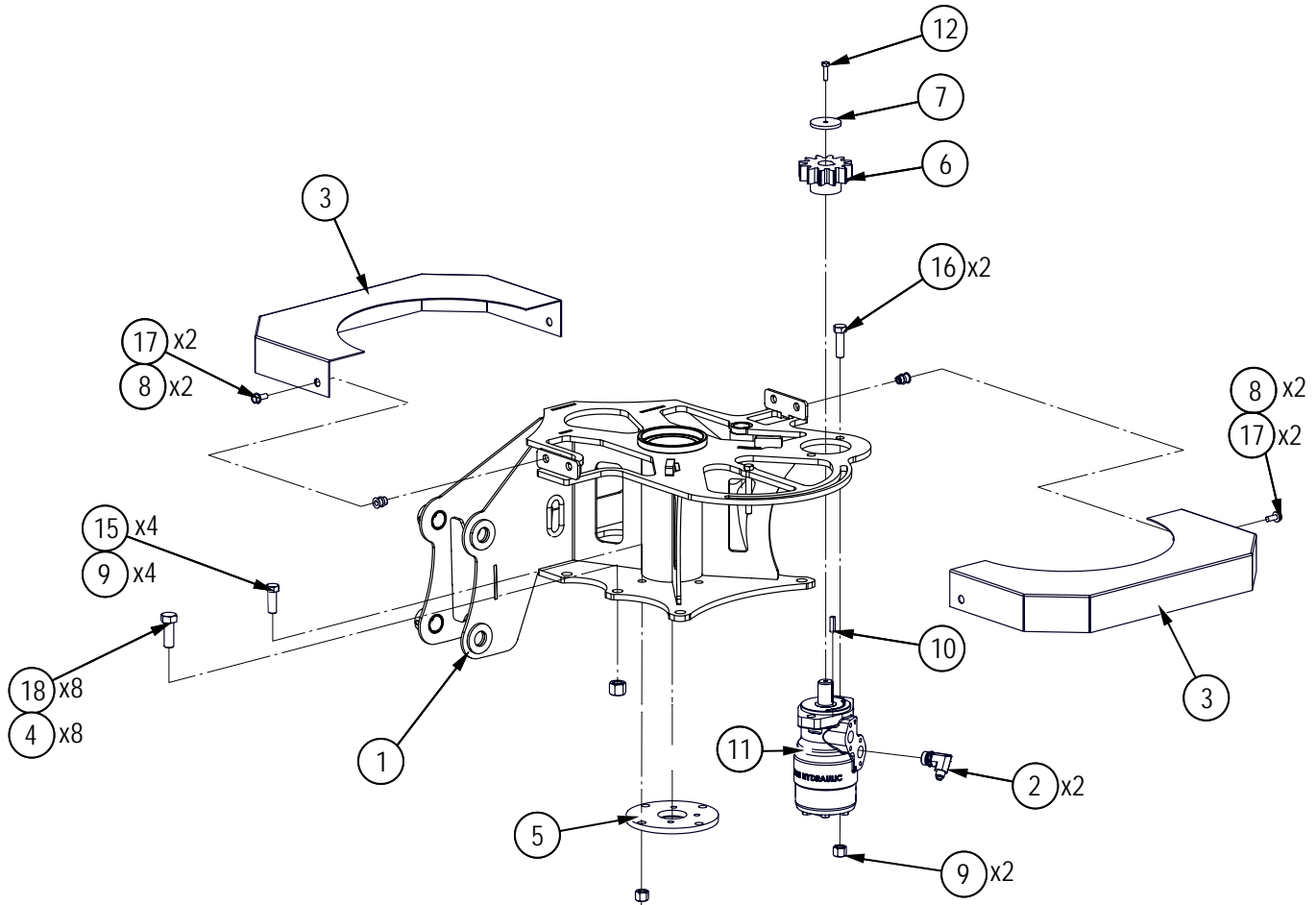
Item No.	Part No.	Description	Qty
1	6030W142	Console Arm	1
2	Z51641	Straight, MJIC x MORB 0606	14
3	Z51655	Elbow 90, MJIC x MORB 0608	2
4	Z56206	Seven Spool Valve, VC x 12GPM	1
5	Z71225	Hex Bolt, 5/16NC x 2-1/2"	3
6	Z72231	Hex Lock Nut, 3/8NC	1
7	Z72521	Serrated Flange Locknut, 5/16NC	3
8	Z72981	Handle Nut, 3/8NC	1
9	Z73131	SAE Washer, 3/8"	1
10	Z73252	PTFE Washer, 1/2" x .101"	1
11	Z76238	Carriage Bolt, 3/8NC x 3"	1
12	Z96503	Manual Tube, 3-1/2" Short	1
13	Z72511	Serrated Flange Locknut, 1/4NC	3
14	Z78301	Machine Screw, 1/4NC x 3/4"	3

**Stabilizer Assembly**



Item No.	Part No.	Description	Qty
1	6030W130	Stabilizer Arm - LH	1
2	6030W130H	Stabilizer Arm - RH	1
3	6030M488	Pin, Stabilizer Short	4
4	6030M489	Pin, Stabilizer Lift	2
5	Z29202	Grease Fitting, 1/4NF	6
6	6030C754	Cylinder, 2" x 1-1/4" x 13-5/8"	2
7	Z71120	Hex Bolt, 1/4NC x 2"	6
8	Z72211	Hex Lock Nut, 1/4NC	6

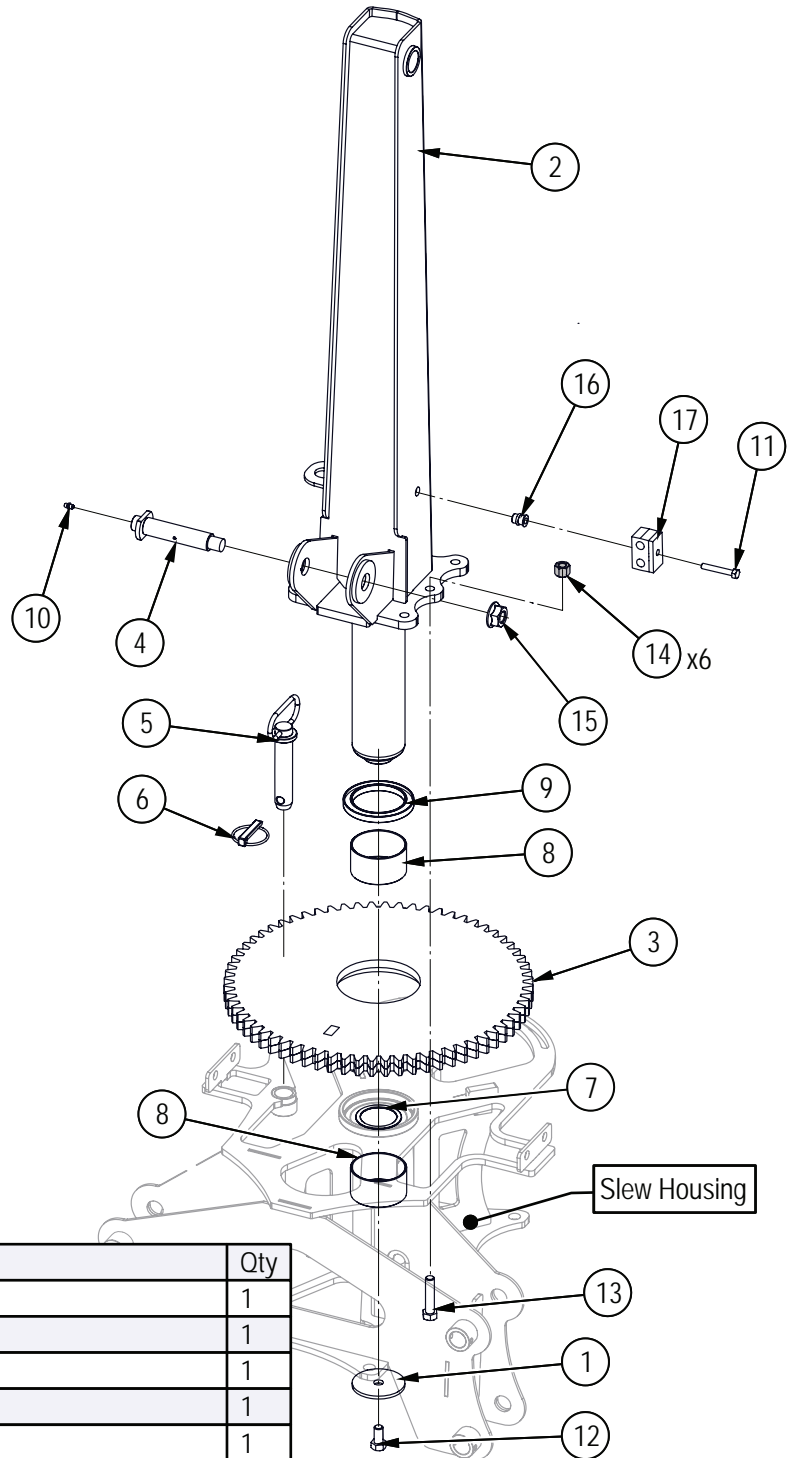
**Slew Housing**



Item No.	Part No.	Description	Qty
1	6030W101	Slew Housing	1
2	Z51656	Elbow 90, MJIC x MORB 0610	2
3	6030L471	Cover, Slew Sprocket	2
4	Z72261	Hex Lock Nut, 5/8NC	8
5	6030L467	Washer, Boom Rest	1
6	6031M653	Gear, Motor -Small	1
7	6032L592	Washer, Sprocket Capture	1
8	Z72957	Rivet Nut, 5/16NC x 312	4
9	Z72251	Hex Lock Nut, 1/2NC	6

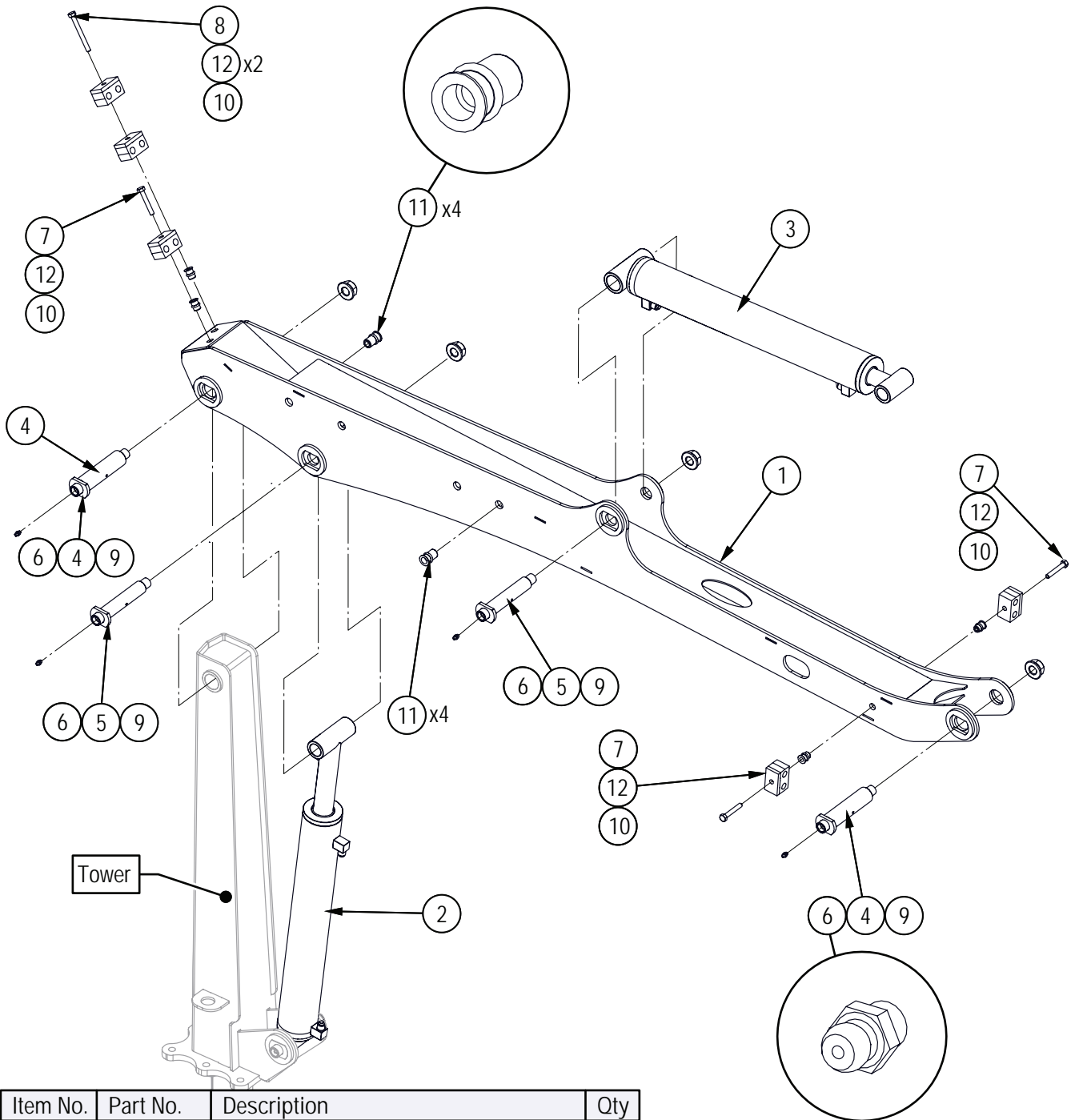
Item No.	Part No.	Description	Qty
10	Z46533	Key, 1/4" x 1/4" x 1"	1
11	Z54104	Hydraulic Motor, 315CCR	1
12	Z71110	Hex Bolt, 1/4NC x 1"	1
15	Z71515	Hex Bolt, 1/2NC x 1-1/2"	4
16	Z71517	Hex Bolt, 1/2NC x 1-3/4"	2
17	Z76121	Flange Bolt, 5/16NC x 3/4"	4
18	Z71617	Hex Bolt, 5/8NC x 1-3/4"	8

**Main Tower**



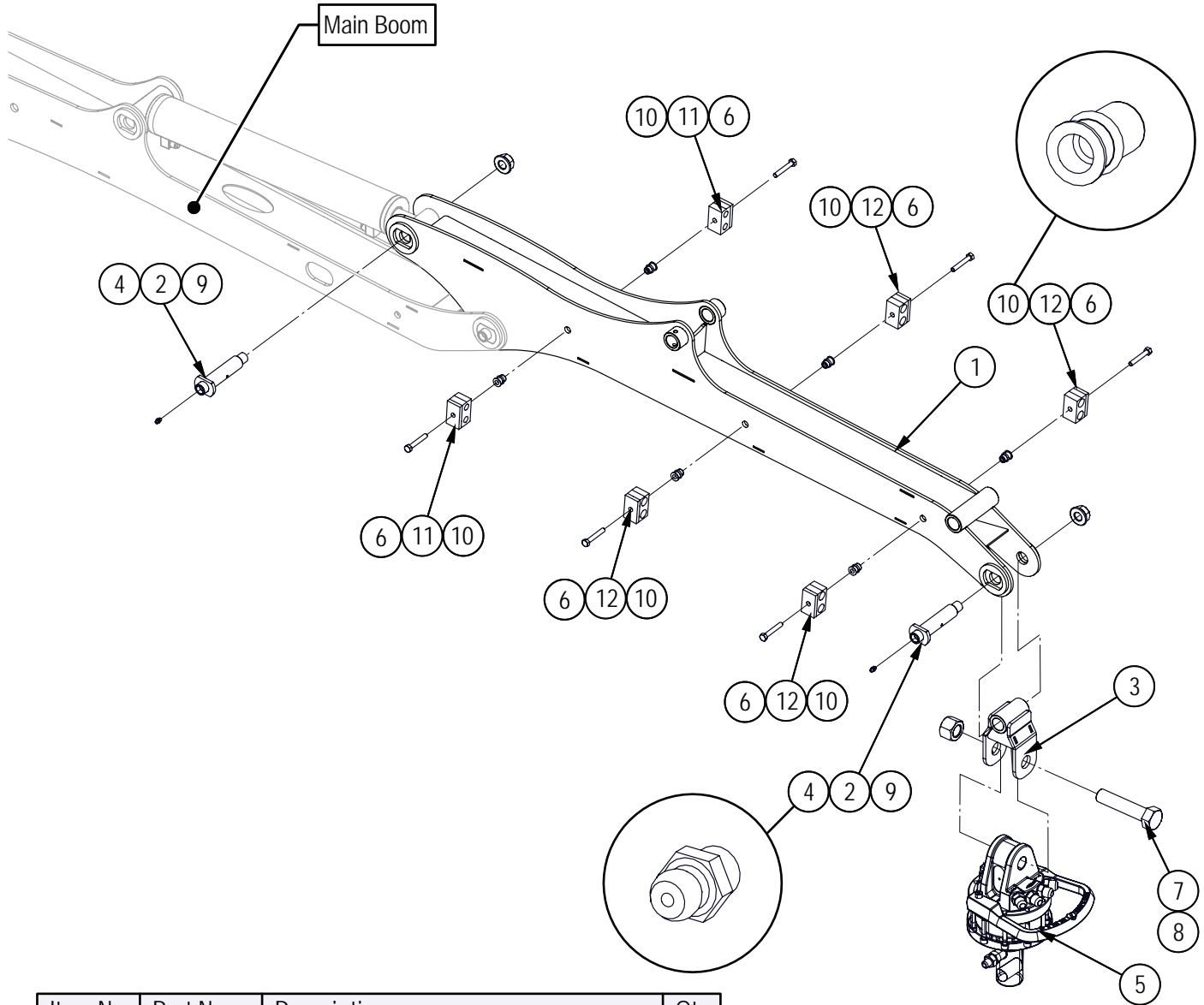
Item No.	Part No.	Descriptio	Qty
1	6030L468	Washer, Main Boom	1
2	6030W102	Main Tower	1
3	6030W131	68th Slew Gear	1
4	6030W141	Pin, Boom Cylinder	1
5	Z11264	Hitch Pin, 1" x 3-3/4" MOD	1
6	Z12140	Lynch Pin, 7/16"	1
7	Z22402	Fiberglide Thrust Bearing, 2.072" ID x 2.615" OD x 0.058"	1
8	Z27105	Fiberglide Bearing, 3" ID x 1-3/4" long x 3/32" wall	2
9	Z28205	Single Lip Seal, 3"	1
10	Z29202	Grease Fitting, 1/4NF	1
11	Z71220	Hex Bolt, 5/16NC x 2"	1
12	Z71510	Hex Bolt, 1/2NC x 1"	1
13	Z71522	Hex Bolt, 1/2NC x 2-1/4"	8
14	Z72251	Hex Lock Nut, 1/2NC	8
15	Z72571	Serrated Flange Locknut, 3/4NF Top Lock	1
16	Z72957	Rivet Nut, 5/16NC x 312	1
17	Z79462	Double Hose Clamp, 1/2" OD	1

**Main Boom**



Item No.	Part No.	Description	Qty
1	6030W103	Main Boom	1
2	6030C363	Cylinder, 2-1/2" x 1-1/2" x 16-3/4"	1
3	6030C750	Cylinder, 2-1/2" x 1-1/4" x 17-3/4"	1
4	6030W133	Pin, Main Pivot	2
5	6030W134	Pin, Cylinder	2
6	Z29202	Grease Fitting, 1/4NF	4
7	Z71220	Hex Bolt, 5/16NC x 2"	3
8	Z71230	Hex Bolt, 5/16NC x 3"	1
9	Z72571	Serrated Flange Locknut, 3/4NF Top Lock	4
10	Z72957	Rivet Nut, 5/16NC x 312	4
11	Z72961	Rivet Nut, 1/2NC x 350	8
12	Z79462	Double Hose Clamp, 1/2" OD	5

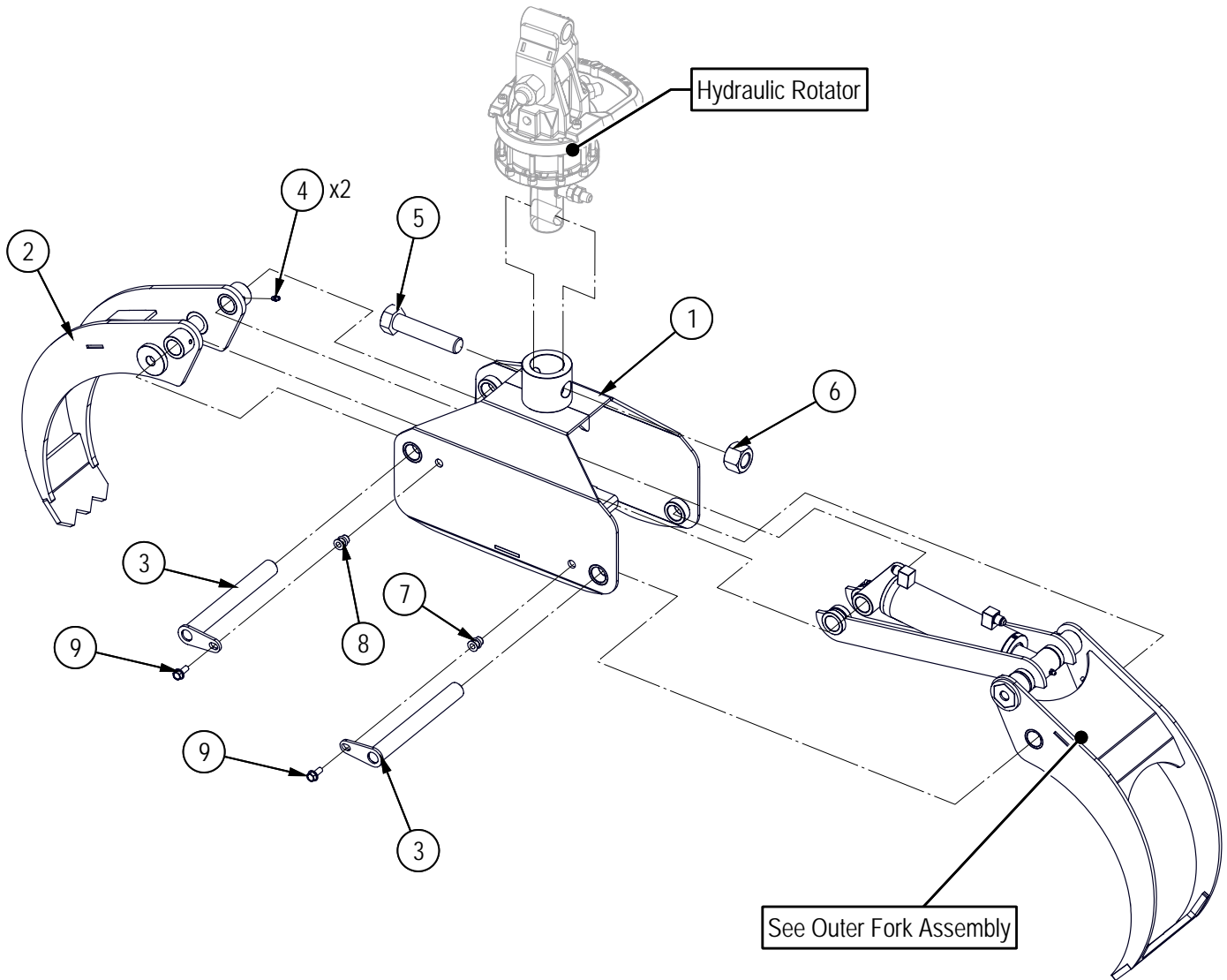
**Dipper Boom**



Item No.	Part No.	Description	Qty
1	6030W104	Dipper Boom	1
2	6030W135	Pin, Dipper	2
3	6030W136	Grapple Knuckle	1
4	Z29202	Grease Fitting, 1/4NF	2
5	Z54107	Hydraulic Rotator, CR300W	1
6	Z71220	Hex Bolt, 5/16NC x 2"	6
7	Z71911	Hex Bolt, 1NC x 4-1/2"	1
8	Z72291	Hex Lock Nut, 1NC	1
9	Z72571	Serrated Flange Locknut, 3/4NF Top Lock	2
10	Z72957	Rivet Nut, 5/16NC x 312	6
11	Z79462	Double Hose Clamp, 1/2" OD	2
12	Z79463	Double Hose Clamp, 11/16" OD	4

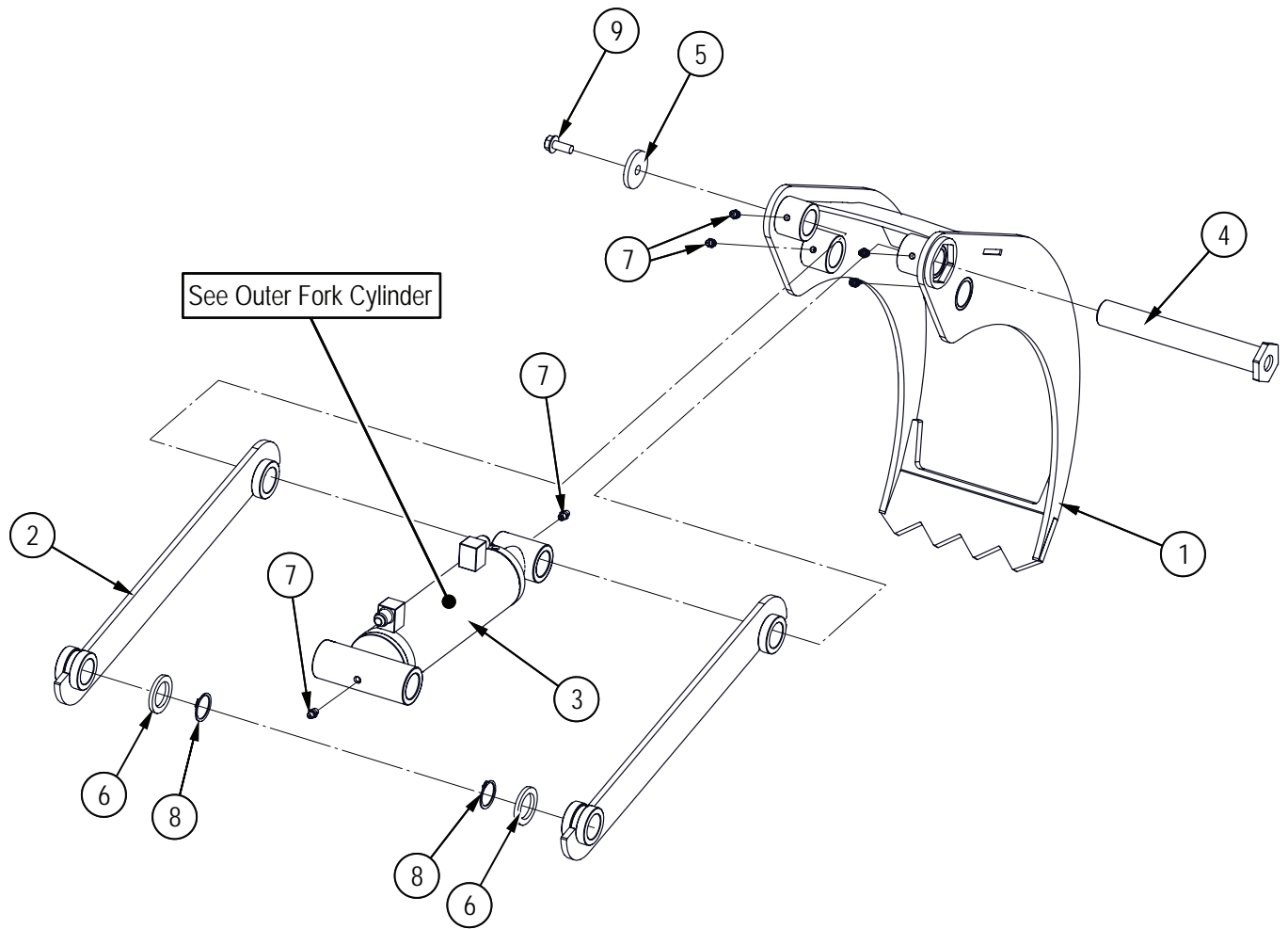


**Grapple Assembly**



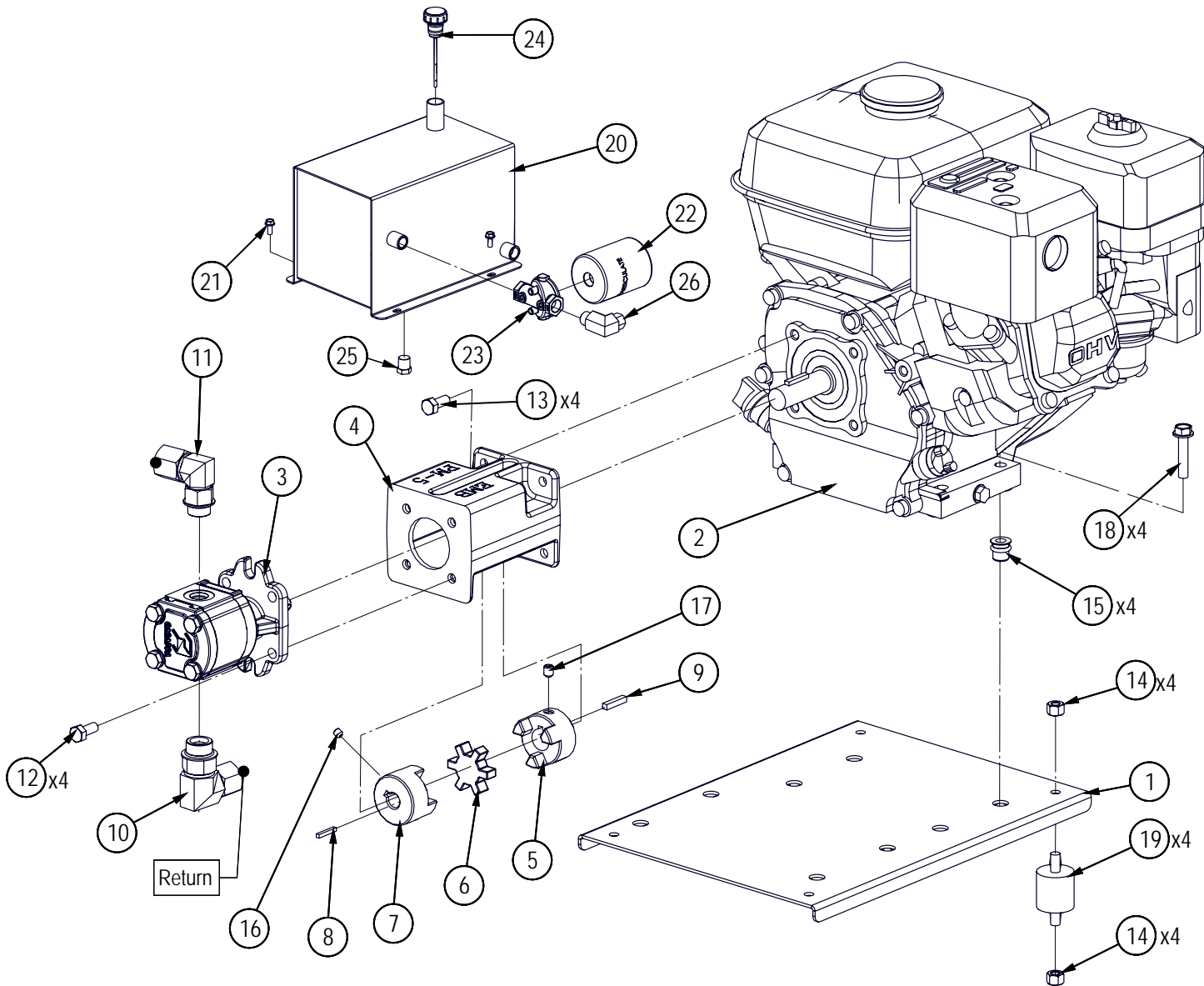
Item No.	Part No.	Description	Qty
1	6014W100	Frame, Main Grapple	1
2	6014W101	Arm, Inside Grapple	1
3	6014W104	Pin, Cylinder Linkage	2
4	Z29202	Grease Fitting, 1/4NF	2
5	Z71911	Hex Bolt, 1NC x 4-1/2"	1
6	Z72291	Hex Lock Nut, 1NC	1
7	Z72951	Rivet Nut, 5/16NC x 312	1
8	Z72957	Rivet Nut, 5/16NC x 312	1
9	Z76121	Flange Bolt, 5/16NC x 3/4"	2

**Outer Fork Assembly**



Item No.	Part No.	Description	Qty
1	6014W102	Arm, Outside Grapple	1
2	6014W103	Arm, Linkage	2
3	6014C401	Cylinder, 2" 1-1/4" x 4-11/16"	1
4	6014W105	Pin, Inside Linkage	1
5	6014L121	Washer, Capture	1
6	6014L133	Washer	2
7	Z29202	Grease Fitting, 1/4NF	6
8	Z46204	External Retaining Ring, 1"	2
9	Z76121	Flange Bolt, 5/16NC x 3/4"	1

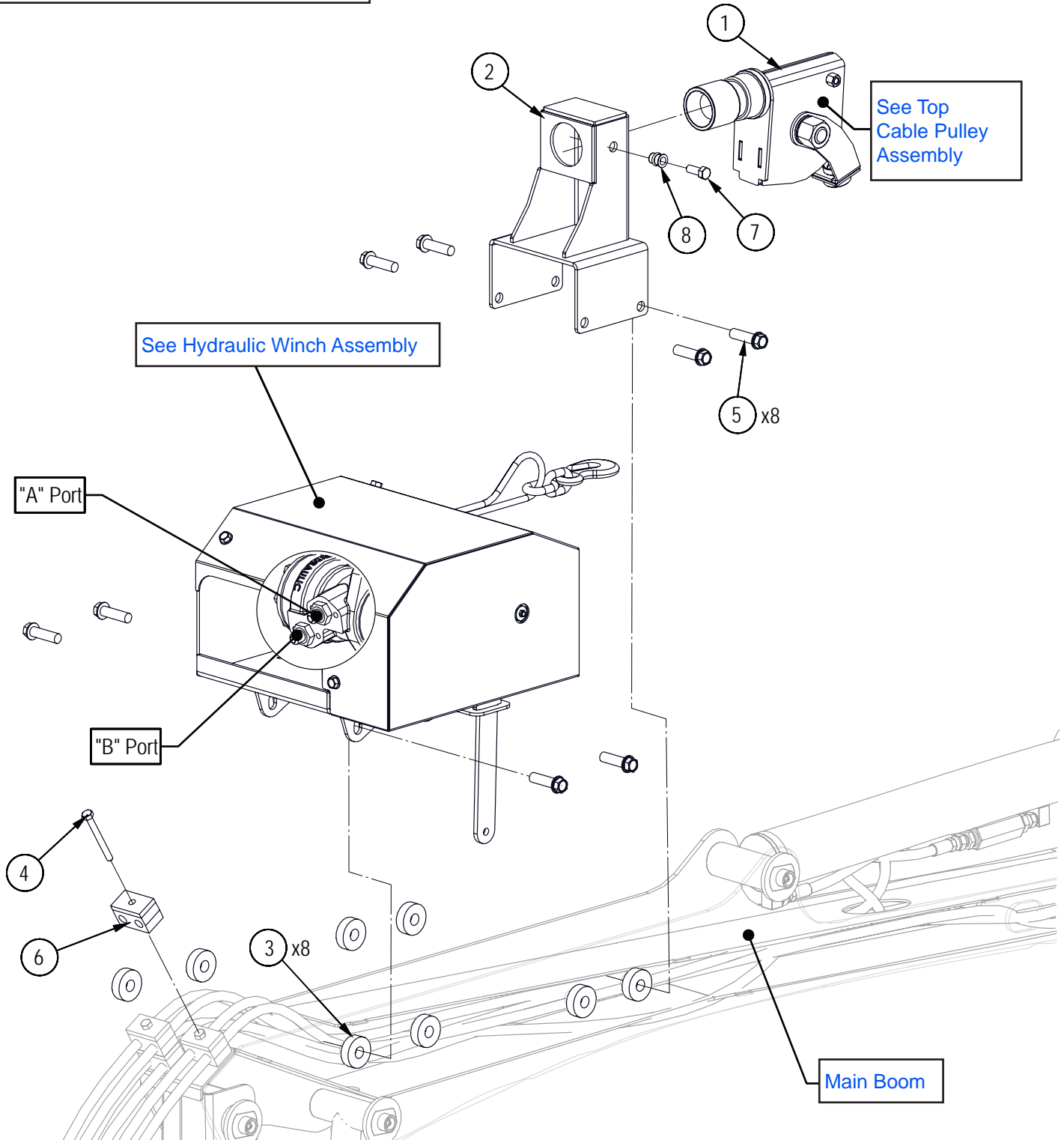
**Power Pack Option**



Item No.	Part No.	Description	Qty
1	6081L205	Plate, Engine Mount	1
2	Z47131	Honda GX200UTQH6, Rope	1
3	Z53103	Gear Pump, Series 10 x 0.13CIR	1
4	Z53801	Pump Mount, PM-5	1
5	Z46406	Shaft Coupler, L075 x 3/4"	1
6	Z46408	Spider, L075	1
7	Z46410	Shaft Coupling, L075 x 1/2"	1
8	Z46511	Key, 1/8" x 1/8" x 7/8"	1
9	Z46522	Key, 3/16" x 3/16" x 1"	1
10	Z51383	Elbow 90, MORB x FXP 0808	1
11	Z51385	Elbow 90, MORB x FXP 0608	1
12	Z71207	Hex Bolt, 5/16NC x 3/4"	4
13	Z71273	Hex Bolt, 5/16NF x 3/4"	4

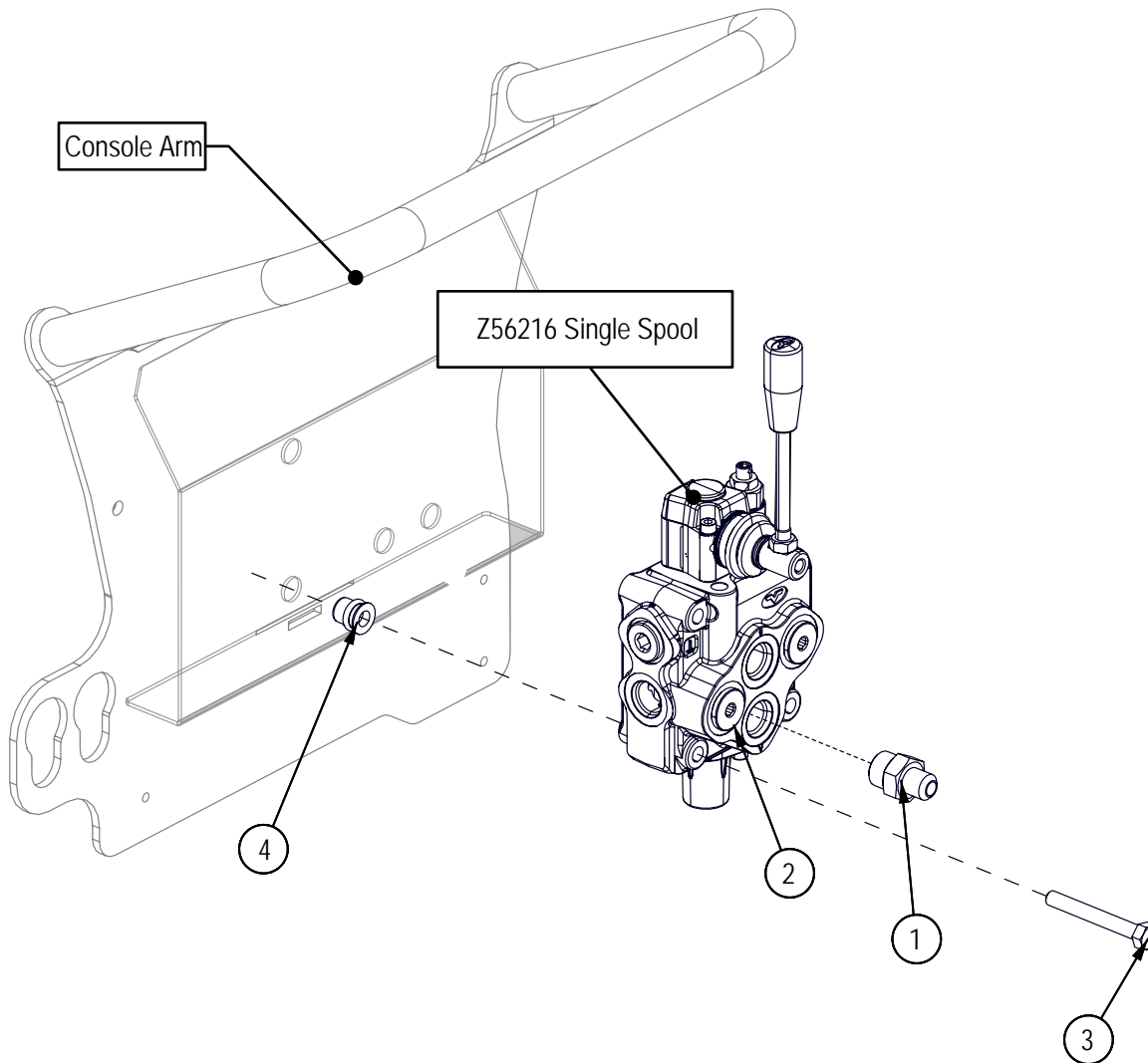
Item No.	Part No.	Description	Qty
14	Z72221	Hex Lock Nut, 5/16NC	8
15	Z72956	Rivet Nut, 5/16NC x 150	4
16	Z74111	Set Screw, 1/4NC x 1/4"	1
17	Z74121	Set Screw, 5/16NC x 3/8"	1
18	Z76123	Flange Bolt, 5/16NC x 1-1/2"	4
19	Z76121	Flange Bolt, 5/16NC x 3/4"	4
20	6081W301	Tank	1
21	Z79931	Isolator, 1-1/4" Dia x 1-1/4" x 5/16NC	4
22	Z55301	Particulate Filter, FP12	1
23	Z55302	Filter Cap, MP12 x FP12	1
24	Z55402	Vented Plug Dipstick x 5"	1
25	Z51191	Hex Plug, MP 08	1
26	Z51334	Elbow 90, MP x FXP 1208	1

**Optional L1400 Hydraulic Winch**



Item No.	Part No.	Description	Qty
1	6083A201	Top Cable Pulley	1
2	6083W200	Fairlead Mount	1
3	6083L211	Washer, Winch Mount	8
4	Z71230	Hex Bolt, 5/16NC x 3"	1
5	Z76155	Flange Bolt, 1/2NC x 1-3/4"	8
6	Z79462	Double Hose Clamp, 1/2" OD	1
7	Z71310	Hex Bolt, 3/8NC x 1"	1
8	Z72959	Rivet Nut, 3/8NC x 312	1

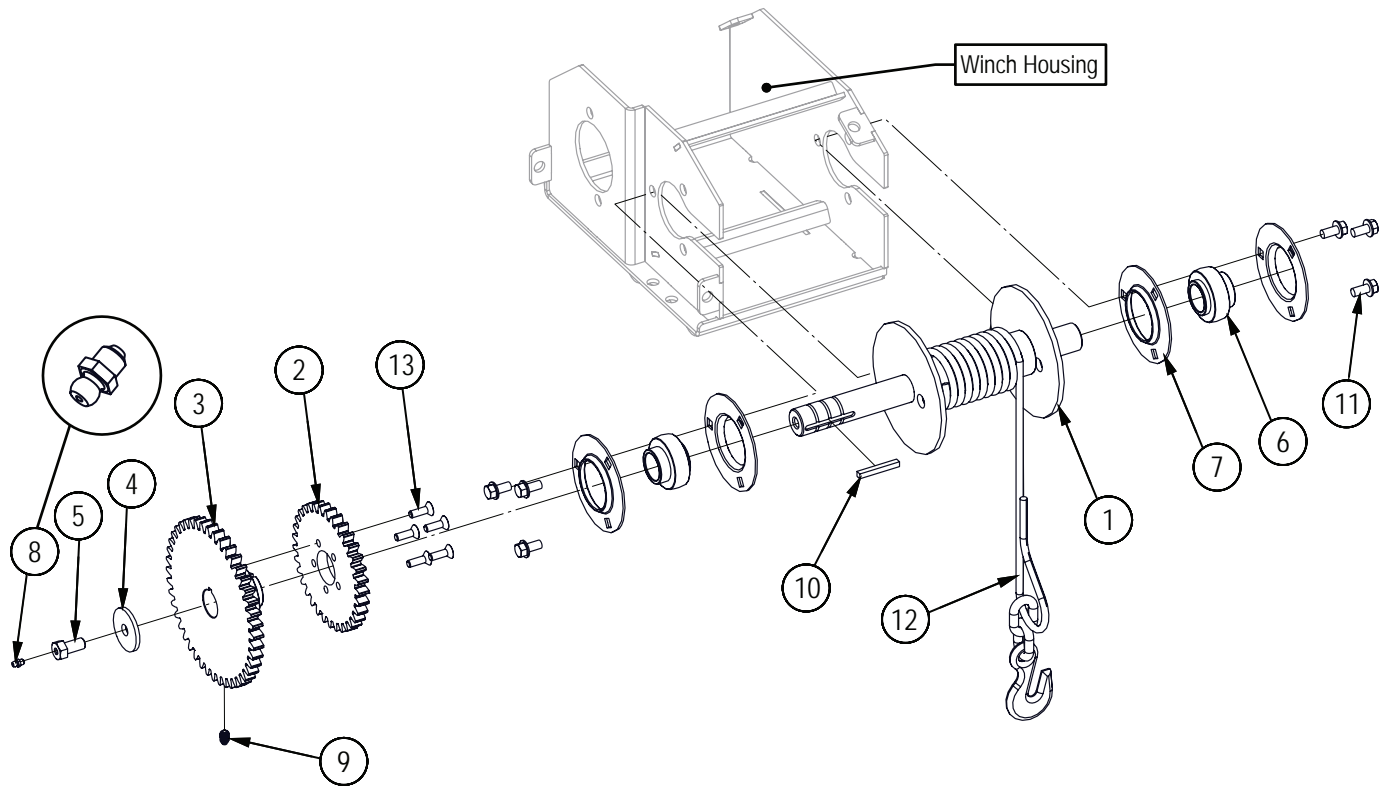
**Hydraulic Winch Control Option**



Item No.	Part No.	Description	Qty
1	Z51644	Straight, MJIC x MORB 0608	4
2	Z56216	Single Spool Valve, VC Tandem SC x 12GPM	1
3	Z71225	Hex Bolt, 5/16NC x 2-1/2"	3
4	Z72956	Rivet Nut, 5/16NC x 150	3

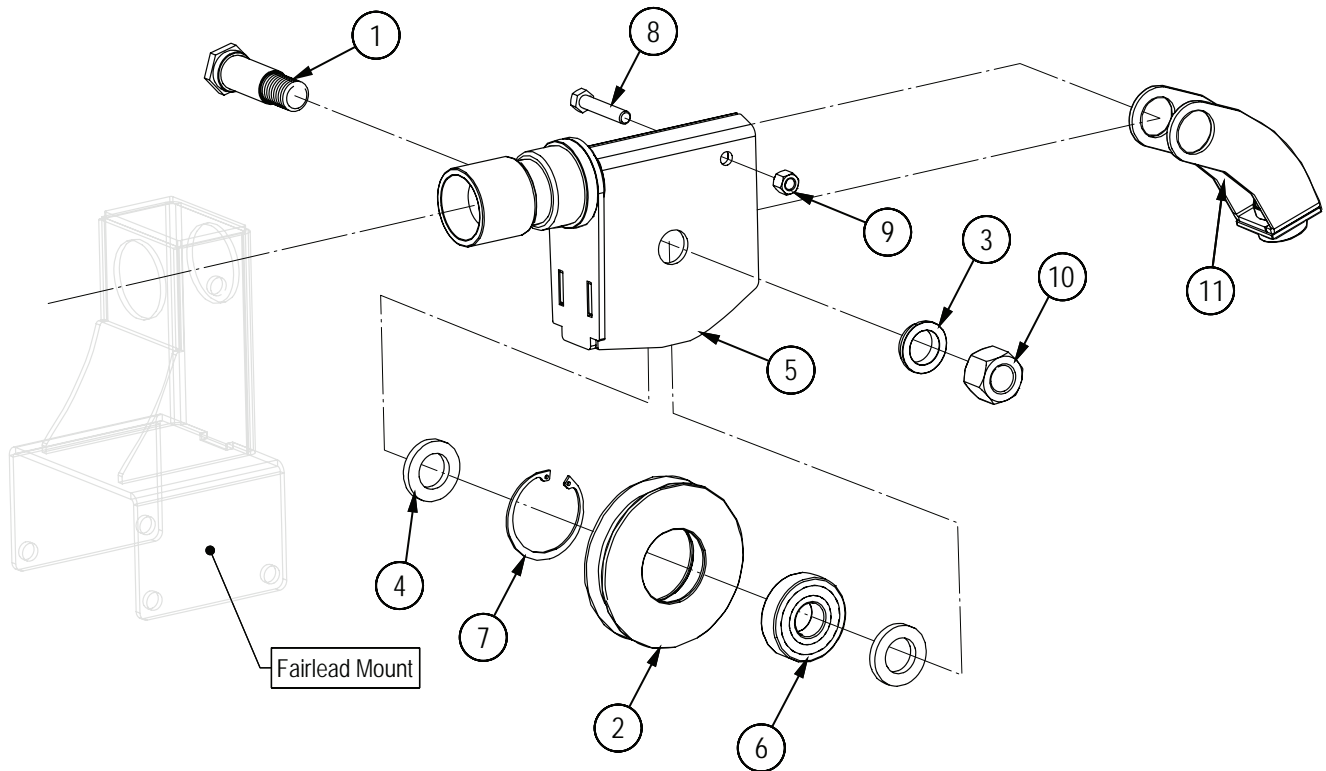


**Winch Drum Option**



Item No.	Part No.	Description	Qty
1	6083W201	Drum, Main Cable	1
2	6083M256	Gear, High	1
3	6083M257	Gear, Low Driven	1
4	6083L207	Washer, Capture	1
5	6083M252	1/2-13 x 1 Bolt Modified	1
6	Z25207	Bearing Insert, UC206-20	2
7	Z25301	3-Bolt Flange Bearing, PF206 x Flange Only	4
8	Z29202	Grease Fitting, 1/4NF	1
9	Z34302	Spring Plunger, 3/8NC x 5/8" x 21 lbs	1
10	Z46531	Key, 1/4" x 1/4" x 2"	1
11	Z76133	Flange Bolt, 3/8NC x 3/4"	6
12	Z92118	Synthetic Winch Cable, 5/16" x 80ft with Grab Hook	1
13	Z75222	FHCS, 5/16NF x 1"	5

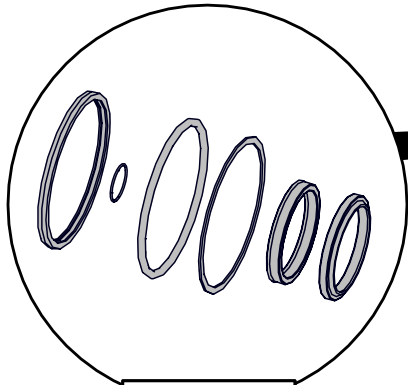
### Top Cable Option



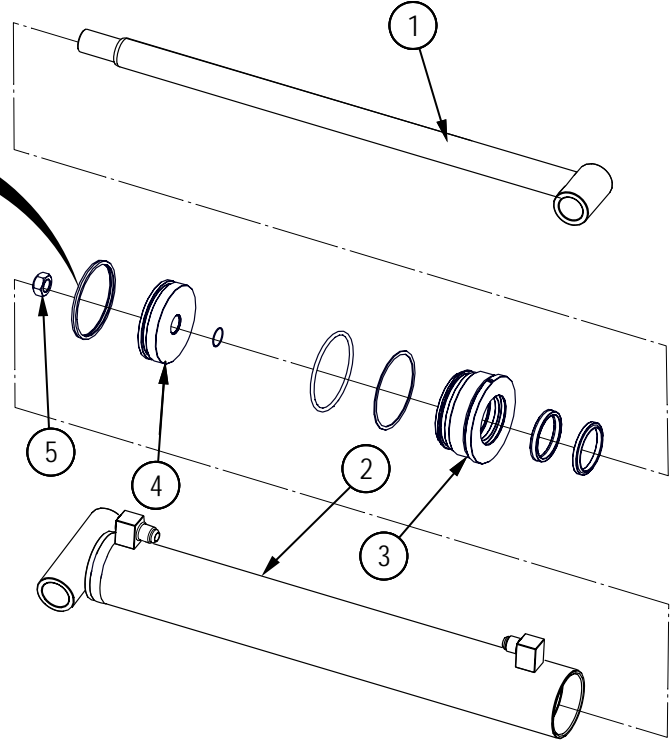
Item No.	Part No.	Description	Qty
1	5011M814	Top Pulley Pin	1
2	5011M816	Cable Pulley	1
3	5012M222	Cable Guide Swing Bushing	1
4	6083L247	Washer, Pulley Spacer - Narrow	2
5	6083W211	Frame, Top Pulley	1
6	Z21201	Ball Bearing 6305 2RS	1
7	Z46101	Internal Retaining Ring 2-7/16	1
8	Z71320	Hex Bolt, 3/8NC x 2	1
9	Z72231	Hex Lock Nut, 3/8NC	1
10	Z72281	Hex Lock Nut, 7/8-9NC	1
11	6083W208	Cable Guide	1



**Main Boom Cylinder**



Seal Kit #SLK2515

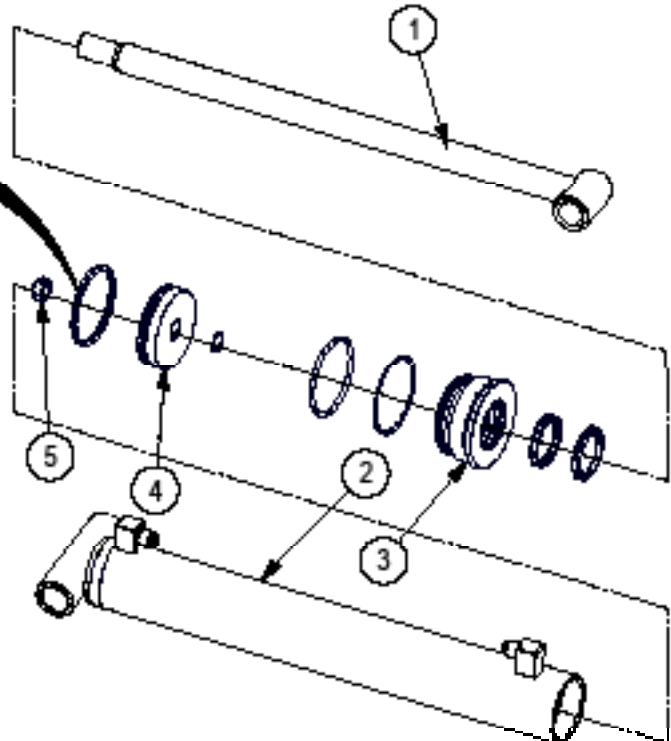


Item No.	Part No.	Description	Qty
1	6030C4362	Rod, 1-1/2 x 1	1
2	6030C4363	Barrel, 2-1/2"	1
3	G250-150S	Gland, 2-1/2" x 1-1/2"	1
4	P100-250SP	Piston, 2-1/2" Bore	1
5	Z72272G8	Hex Lock Nut, 3/4NF GR8	1

**Dipper Boom Cylinder**

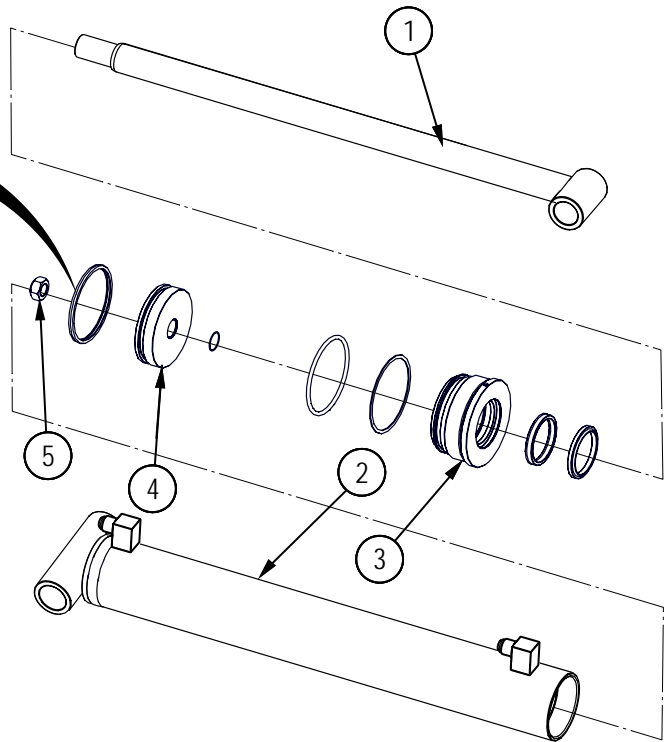
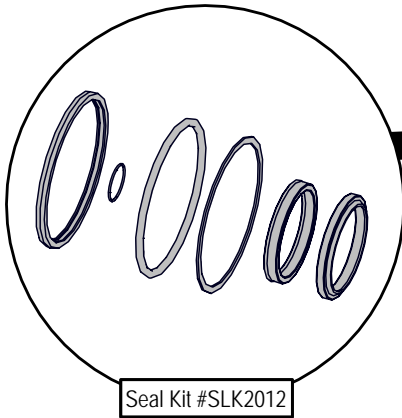


Seal Kit #5LK2512



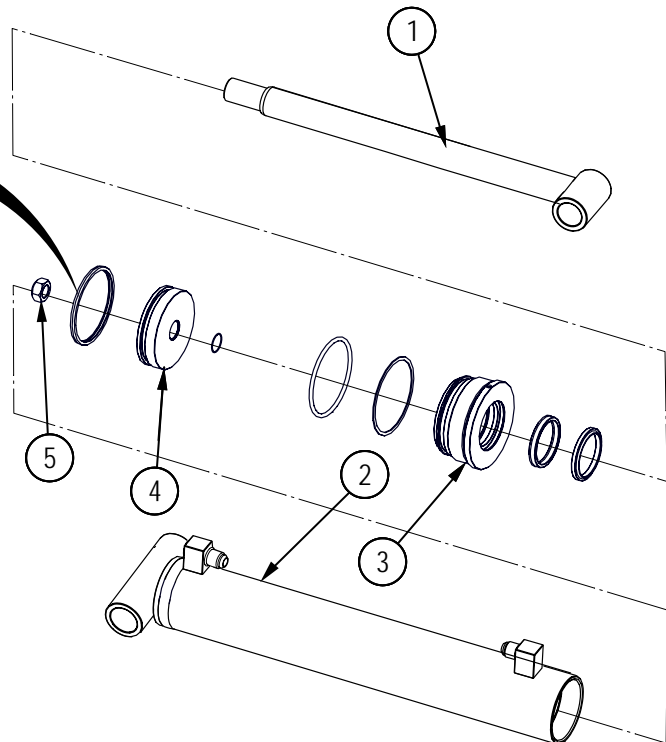
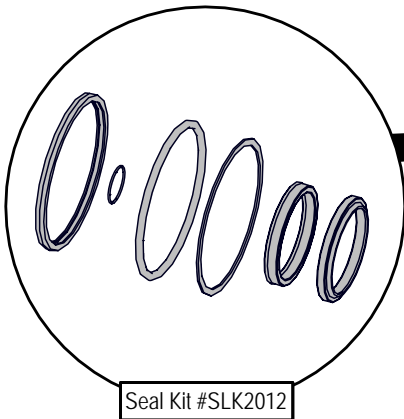
Item No.	Part No.	Description	Qty
1	6030C7503	Rod, 1-1/4 x 1	1
2	6030C7504	Barrel, 2-1/2"	1
3	G250-125S	Gland, 2-1/2" x 1-1/4"	1
4	P100-250SP	Piston, 2-1/2" Bore	1
5	Z72272G8	Hex Lock Nut, 3/4NF GR8	1

**Stabilizer Cylinder**


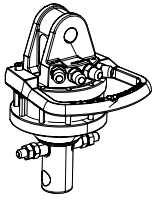
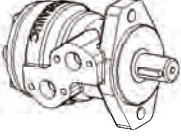
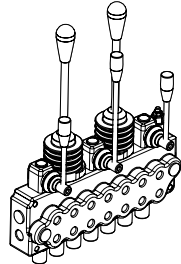
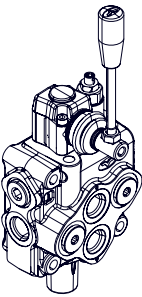
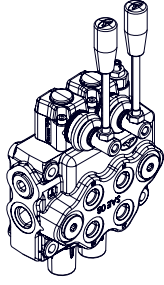


Item No.	Part No.	Description	Qty
1	6030C7543	Rod, 1-1/4 x 3/4	1
2	6030C7544	Barrel, 2"	1
3	G200-125S	Gland, 2- x 1-1/4"	1
4	P750-200SP	Piston, 2" Bore	1
5	Z72272G8	Hex Lock Nut, 3/4NF GR8	1

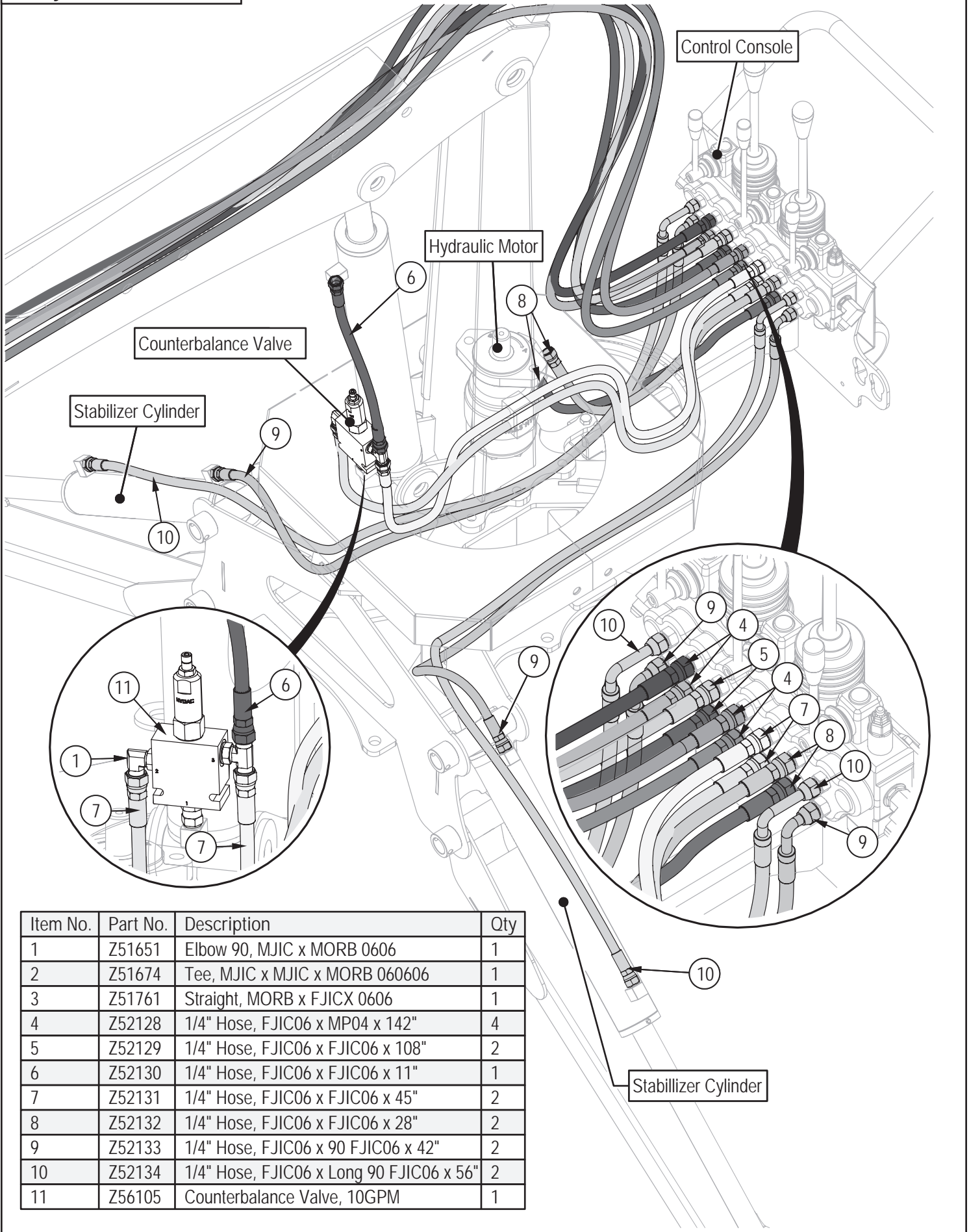
**Grapple Cylinder**



Item No.	Part No.	Description	Qty
1	6014C4013	Rod, 1-1/4 x 3/4	1
2	6014C4014	Barrel, 2" Bore	1
3	G200-125S	Gland, 2- x 1-1/4"	1
4	P750-200SP	Piston, 2" Bore	1
5	Z72272G8	Hex Lock Nut, 3/4NF GR8	1

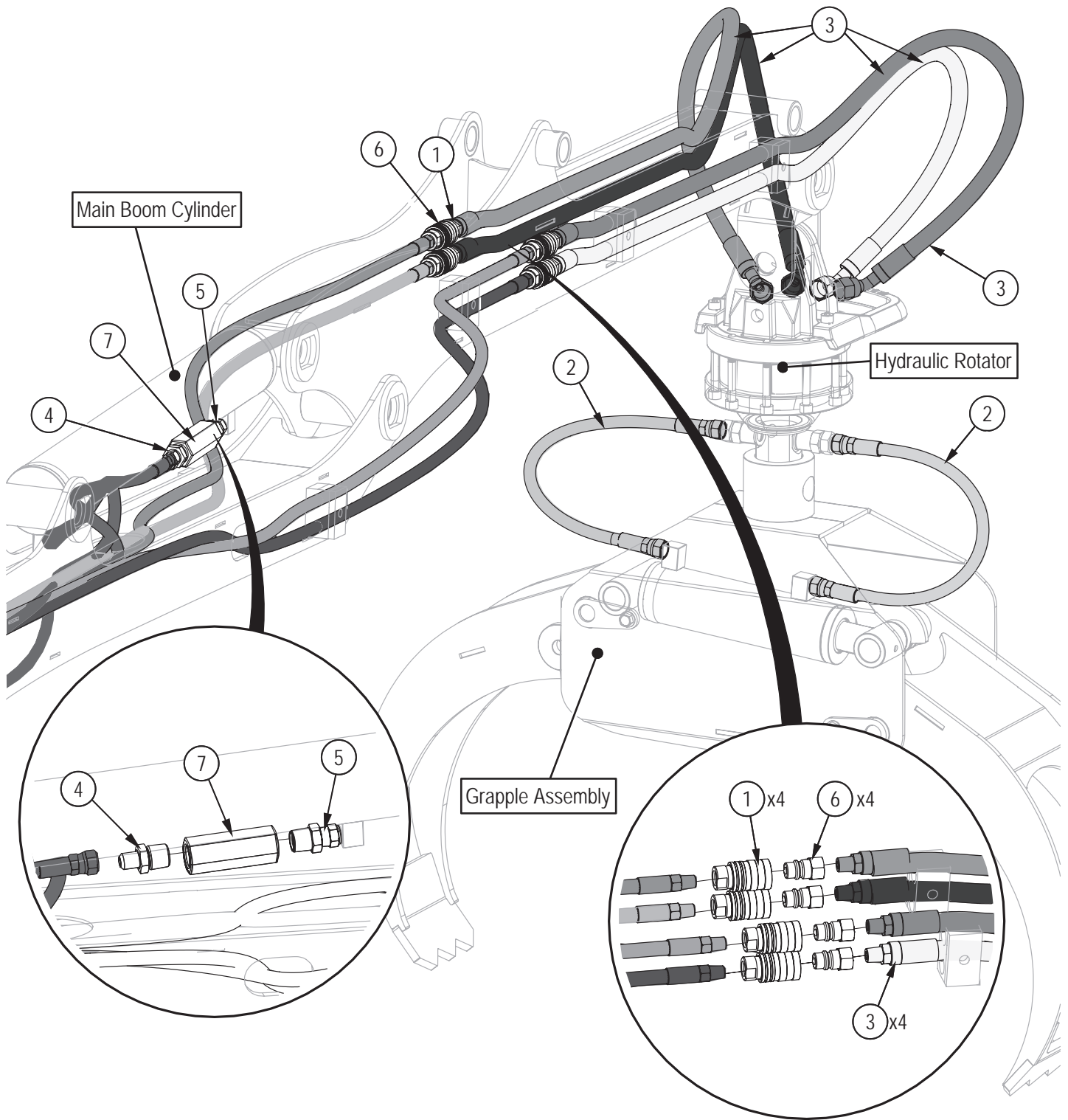
<p><b>Seal Kits</b></p>	<p><b>Seal Kit: Z54107 CR300 Hydraulic Rotator</b></p>
<p><b>Seal Kit: Z54104 315 Series Hydraulic Motor (Main boom)</b></p>	
 <p><b>Seal Kit: SK MLHP-U/D,E</b></p>	 <p><b>Seal Kit: RK CR300</b></p>
<p><b>Seal Kit: Z54108 Hydraulic Motor (Winch) MLHP 50</b></p>	<p><b>Seal Kit: Z56206 Monoblock 7-Section Valve</b></p>
 <p><b>Seal Kit: SK MLHP-U/D,E</b></p>	 <p><b>Seal Kit: SK SD5/7</b></p>
<p><b>Seal Kit: Z56216 Single Spool Valve</b></p>	<p><b>Seal Kit: Z56219 2 Spool Valve</b></p>
 <p><b>Seal Kit: SK SD5/1</b></p>	 <p><b>Seal Kit: SK SD5/2</b></p>

**Hydraulic Circuit**



Item No.	Part No.	Description	Qty
1	Z51651	Elbow 90, MJIC x MORB 0606	1
2	Z51674	Tee, MJIC x MJIC x MORB 060606	1
3	Z51761	Straight, MORB x FJICX 0606	1
4	Z52128	1/4" Hose, FJIC06 x MP04 x 142"	4
5	Z52129	1/4" Hose, FJIC06 x FJIC06 x 108"	2
6	Z52130	1/4" Hose, FJIC06 x FJIC06 x 11"	1
7	Z52131	1/4" Hose, FJIC06 x FJIC06 x 45"	2
8	Z52132	1/4" Hose, FJIC06 x FJIC06 x 28"	2
9	Z52133	1/4" Hose, FJIC06 x 90 FJIC06 x 42"	2
10	Z52134	1/4" Hose, FJIC06 x Long 90 FJIC06 x 56"	2
11	Z56105	Counterbalance Valve, 10GPM	1

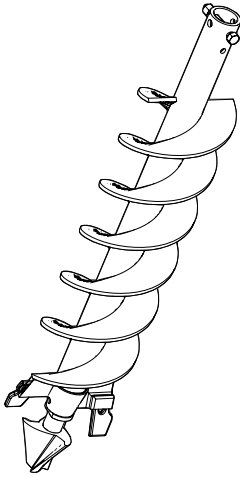
**Hydraulic Circuit**



Item No.	Part No.	Description	Qty
1	Z51917	Quick Coupler, FP04 x M ISO 5675	4
2	Z52137	1/4" Hose, FJIC06 x FJIC06 x 15"	2
3	Z52259	3/8" Hose, 45FJIC08 x MP04 x 50"	4
4	Z51441	Straight, MJIC x MP 0608	1
5	Z51512	Straight, MP x FJICX 0806	1
6	Z51918	Quick Coupler, FP04 x F ISO 5675	4
7	Z56104	Check Valve, FP08 x 0.040"	1

## Accessories

Call your dealer for pricing and availability

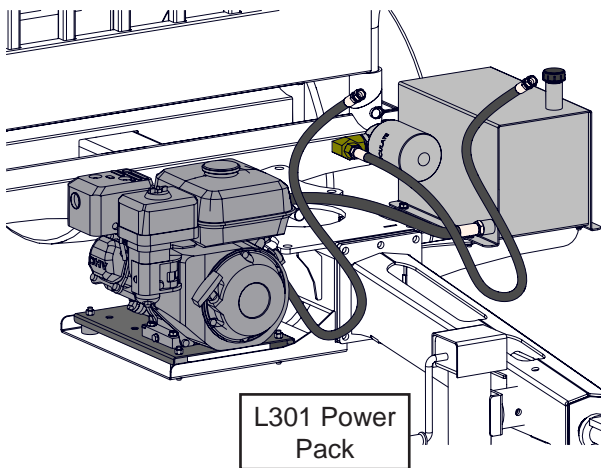


### LA610 – 6" Diameter Auger Kit

### LA910 – 9" Diameter Auger Kit

For all LX models.

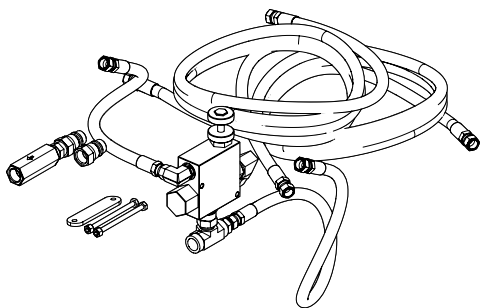
Both hydraulic augers are capable of a hole depth of a 42" (107 cm).



L301 Power Pack

### L301 – LX95 Power Pack

The L301 features a 6 hp Honda engine. Power packs include hydraulic pump and 4.6 US gal (17.5 L) reservoir.



### L101 – Tractor Hydraulic Kit

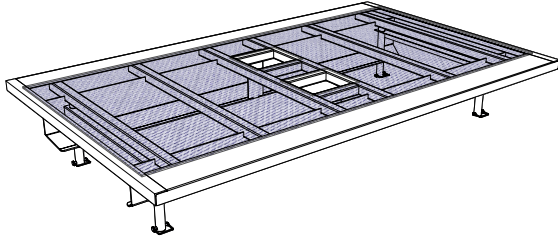
For all LX models

Use tractor hydraulics to power the grapple. Comes with everything needed to attach and control all hydraulics.



## Accessories

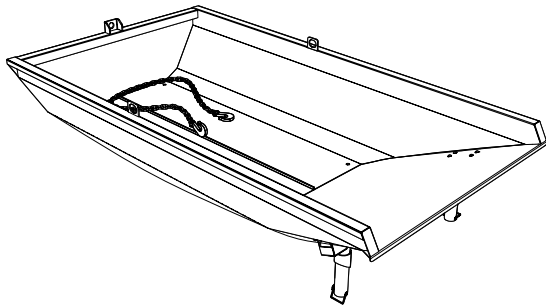
Call your dealer for pricing and availability



### L330 – Expanded Metal Flat bed

Transporting material and equipment made easy. Simply drop on this flat bed and you're set to go!

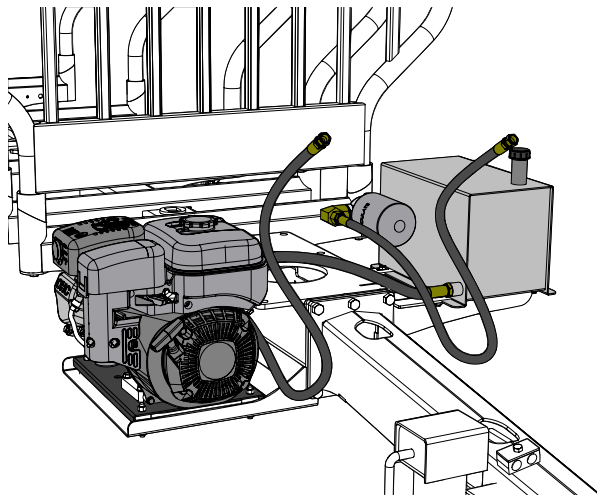
L330 has a 274 cm x 152 cm (9.0' x 5.0') cargo bed.



### L310 – Dump Box

Load, transport and dump loads. Holds 25 ft<sup>3</sup> (0.7 m<sup>3</sup>).

Each dump box comes complete with a 6 ft (1.8 m) chain used for dumping.



### L301 – Power Pack

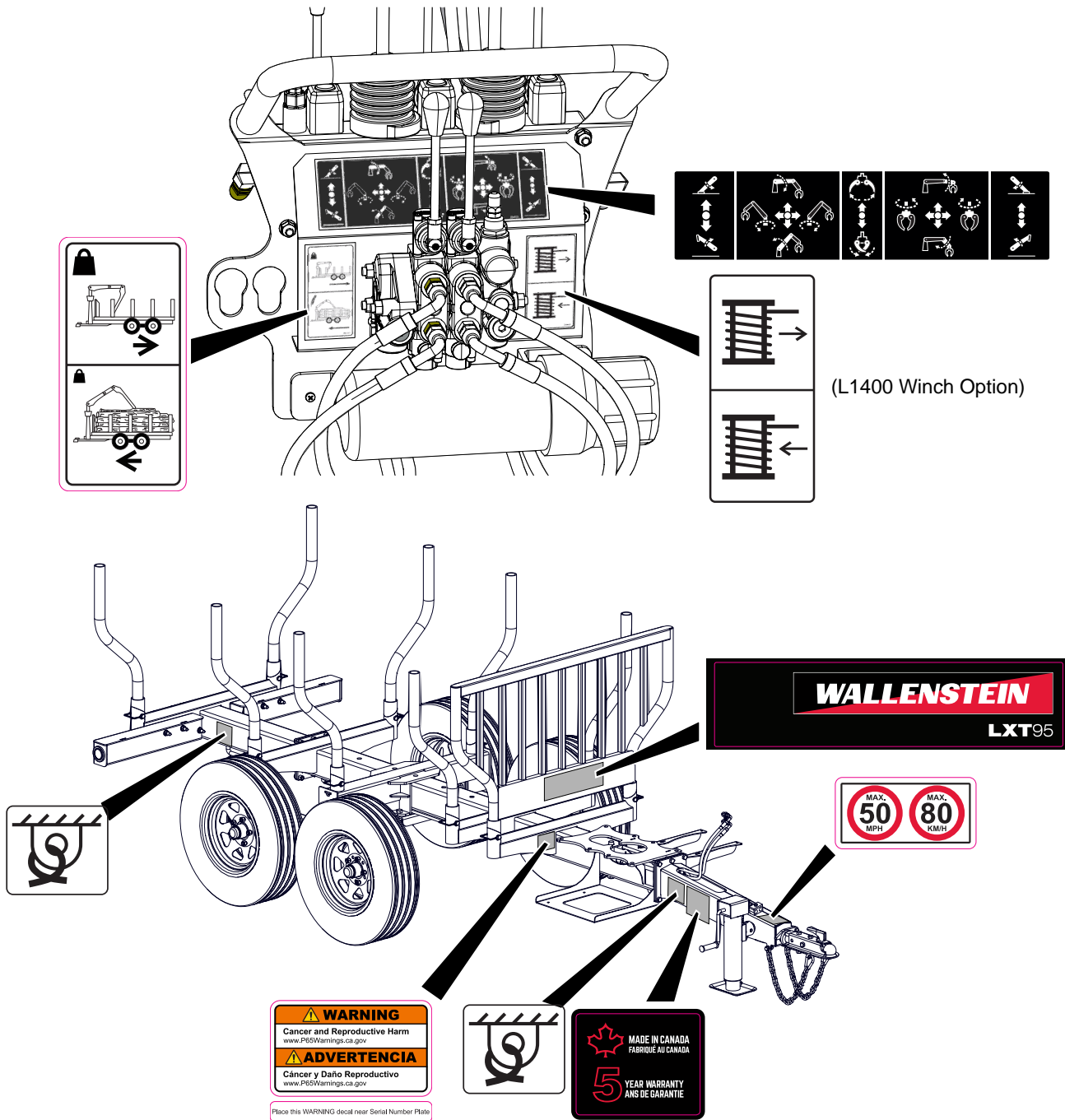
Independently power the LX grapple.

Power packs include hydraulic pump and 4.6 US gal (17.5 L) reservoir.

### Decal Layout

**IMPORTANT! If parts are replaced that have safety signs on them, new signs must be applied. Safety signs must always be replaced if they become damaged, are removed, or become illegible.**

Safety signs are included in the product decal kit available from your authorized dealer. Decals are not available separately.








## Common Bolt Torque Values

### Checking Bolt Torque

The tables shown give correct torque values for various bolts and capscrews. Tighten all bolts to the torque values specified in the table, unless indicated otherwise. Check tightness of bolts periodically.

**IMPORTANT!** If replacing hardware, use fasteners of the same grade.

**IMPORTANT!** Torque figures indicated in the table are for non-greased or non-oiled threads. Do not grease or oil threads unless indicated otherwise. When using a thread locker, increase torque values by 5%.

 **NOTE:** Bolt grades are identified by their head markings.

### Imperial Bolt Torque Specifications

Bolt Diameter	Torque Value					
	SAE Gr. 2		SAE Gr. 5		SAE Gr. 8	
	lb•ft	N•m	lb•ft	N•m	lb•ft	N•m
1/4"	6	8	9	12	12	17
5/16"	10	13	19	25	27	36
3/8"	20	27	33	45	45	63
7/16"	30	41	53	72	75	100
1/2"	45	61	80	110	115	155
9/16"	60	95	115	155	165	220
5/8"	95	128	160	215	220	305
3/4"	165	225	290	390	400	540
7/8"	170	230	420	570	650	880
1"	225	345	630	850	970	1320



SAE Gr. 2



SAE Gr. 5



SAE Gr. 8

### Metric Bolt Torque Specifications

Bolt Diameter	Torque Value			
	Gr. 8.8		Gr. 10.9	
	lb•ft	N•m	lb•ft	N•m
M3	0.4	0.5	1.3	1.8
M4	2.2	3	3.3	4.5
M6	7	10	11	15
M8	18	25	26	35
M10	37	50	52	70
M12	66	90	92	125
M14	83	112	116	158
M16	166	225	229	310
M20	321	435	450	610
M30	1,103	1 495	1,550	2 100



8.8



10.9

### Hydraulic Fitting Torque Values

#### Tightening Flare Type Tube Fittings

1. Check flare and flare seat for defects that might cause leakage.
2. Align tube with fitting before tightening.
3. Hand-tighten swivel nut until snug.
4. To prevent twisting the tube, use two wrenches. Place one wrench on the connector body and tighten the swivel nut with the second. Torque to values shown.

If a torque wrench is not available, use the FFFT (Flats From Finger Tight) method.

Hydraulic Fitting Torque					
Tube Size OD	Hex Size Across Flats	Torque value		Flats From Finger Tight	
		lbf•ft	N•m	Flats	Turns
3/16	7/16	6	8	2	1/6
1/4	9/16	11–12	15–17	2	1/6
5/16	5/8	14–16	19–22	2	1/6
3/8	11/16	20–22	27–30	1-1/4	1/6
1/2	7/8	44–48	59–65	1	1/6
5/8	1	50–58	68–79	1	1/6
3/4	1-1/4	79–88	107–119	1	1/8
1	1-5/8	117–125	158–170	1	1/8

Values shown are for non-lubricated connections.

### Wheel Lug Torque Values

It is extremely important safety procedure to apply and maintain proper wheel mounting torque on your trailer axle. Torque wrenches are the best method to assure the proper amount of torque is being applied to a fastener.

Wheel lugs should be torqued before first road use and after each wheel removal. Check and re torque after the first 10 miles (16 km), 25 miles (40 km), and again at 50 miles (80 km). Check periodically thereafter.

**NOTE:** *Wheel lugs must be applied and maintained at the proper torque levels to prevent loose wheels, broken studs, and possible dangerous separation of wheels from your axle.*

- Start all lugs by hand to prevent cross threading.
- Tighten lugs in sequence, per wheel lug torque sequence chart.
- The tightening of the fasteners should be done in stages. Following the recommended sequence, tighten fasteners per wheel torque requirements chart.

Wheel Lug Nut Torque				
Wheel Size	Units	1st Stage	2nd Stage	3rd Stage
8"	lbf•ft N•m	12–20 16–26	30–35 39–45.5	45–55 58.5–71.5
12"	lbf•ft N•m	20–25 26–32.5	35–40 45.5–52	50–60 65–78
13"	lbf•ft N•m	20–25 26–32.5	35–40 45.5–52	50–60 65–78
14"	lbf•ft N•m	20–25 26–32.5	50–60 65–78	90–120 117–156
15"	lbf•ft N•m	20–25 26–32.5	50–60 65–78	90–120 117–156
16"	lbf•ft N•m	20–25 26–32.5	50–60 65–78	90–120 117–156

Wheel Lug Torque Pattern

