



# BX42S Chipper Parts Manual

S/N 142S01576 to S/N 142S01910



## Foreword

EMB Mfg. has prepared this parts manual to assist customers in ordering quality OEM replacement parts.

Proper and regular service and replacing old, worn or broken parts with the correct Wallenstein parts are essential to prolonging the life of your Wallenstein product. Please refer to this manual before ordering any replacement parts.

All information contained in this parts manual is based on the latest product specification available at the time of printing this manual. If your product differs from the specifications contained within this manual contact EMB Mfg. for information.

EMB reserves the right to alter specifications on their products at any time.

Reproduction of this parts manual of any kind is prohibited without prior written permission from EMB Mfg.

**Note:** Products with factory installed light kits will have a VIN number included. The last six numbers of this VIN number are the splitters serial number

Example: 2E9US1112BSXXXXXX

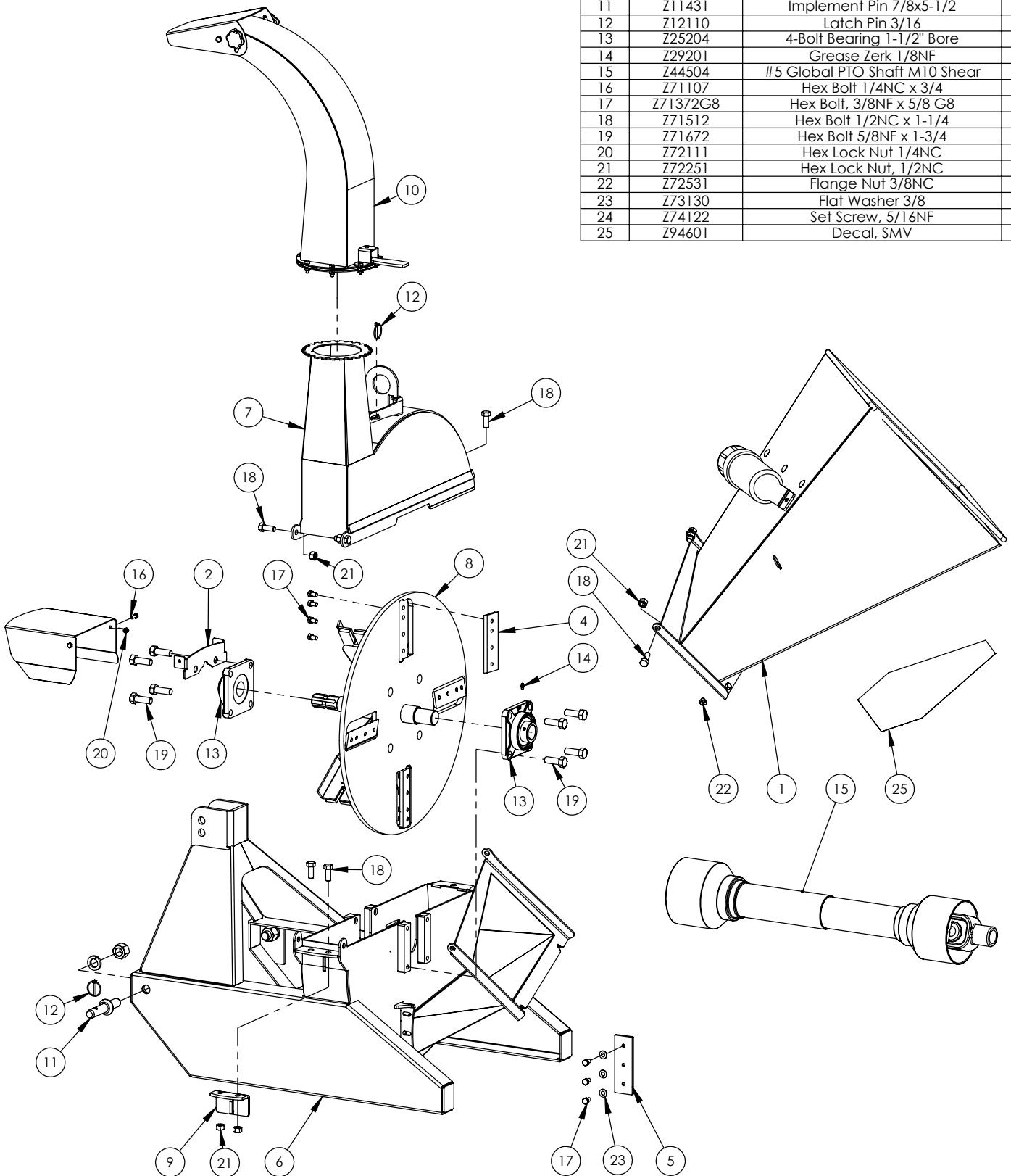
# Table of Contents

Main Parts	5
Discharge Chute	6
Hopper	7
Binacchi PTO	8
Decal Breakdown	10

This Page is Intentionally Blank

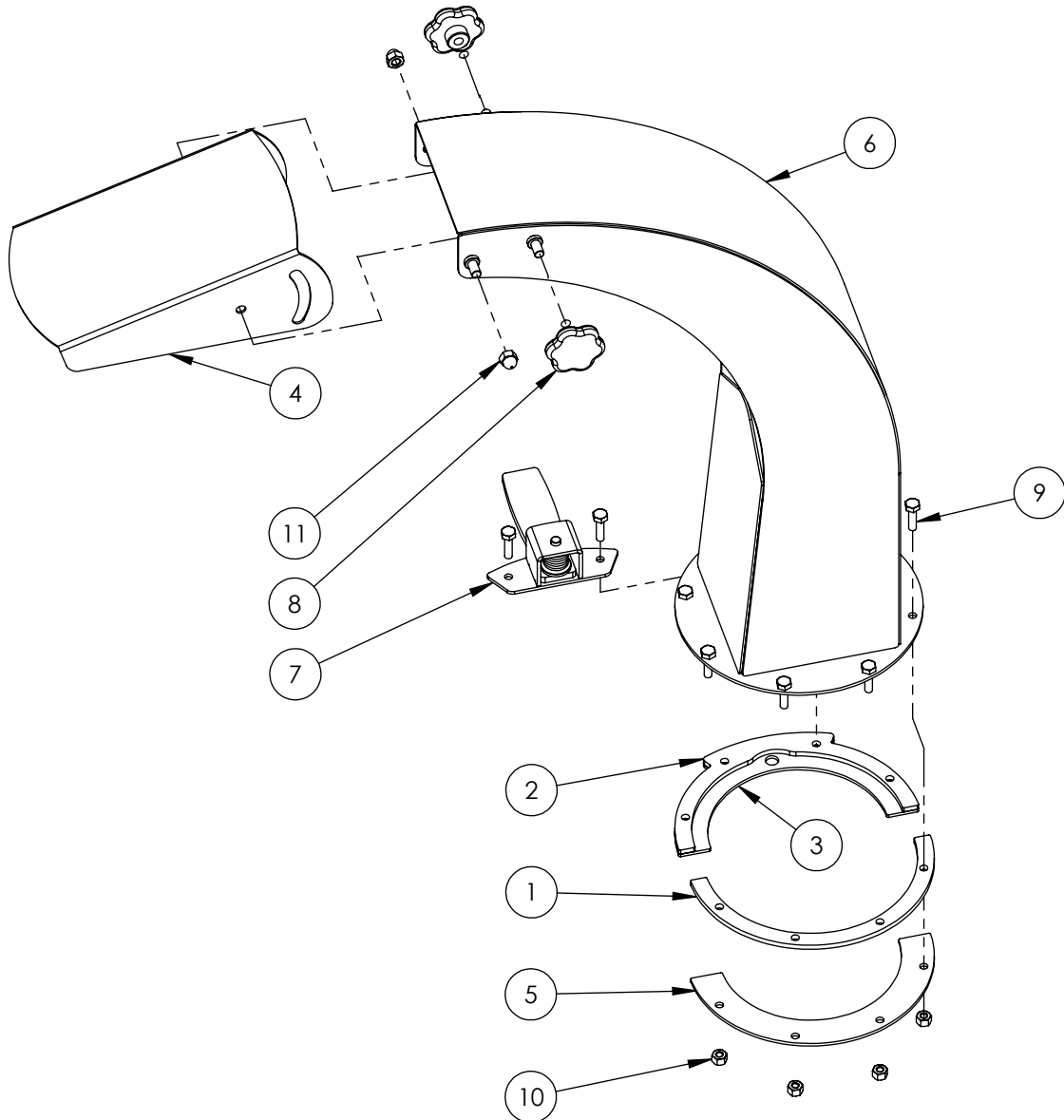
### BX42 MAIN PARTS BREAKDOWN

ITEM	PART NO.	DESCRIPTION	QTY
1	1011A102	Self-Feed Hopper	1
2	1011L106	Bracket, PTO Cover Mount	1
3	1011L112	PTO Cover	1
4	1011M103	Knife, 4" Rotor	4
5	1011M104	Knife, 4" Ledger	1
6	1011W101	Housing, Bottom Rotor	1
7	1011W102	Housing, Upper Rotor	1
8	1011W103	Rotor	1
9	1011W104	Twig Breaker	1
10	1016A005	Assembly, Discharge Chute	1
11	Z11431	Implement Pin 7/8x5-1/2	2
12	Z12110	Latch Pin 3/16	3
13	Z25204	4-Bolt Bearing 1-1/2" Bore	2
14	Z29201	Grease Zerk 1/8NF	2
15	Z44504	#5 Global PTO Shaft M10 Shear	1
16	Z71107	Hex Bolt 1/4NC x 3/4	2
17	Z71372G8	Hex Bolt, 3/8NF x 5/8 G8	19
18	Z71512	Hex Bolt 1/2NC x 1-1/4	7
19	Z71672	Hex Bolt 5/8NF x 1-3/4	8
20	Z72111	Hex Lock Nut 1/4NC	2
21	Z72251	Hex Lock Nut, 1/2NC	7
22	Z72531	Flange Nut 3/8NC	2
23	Z73130	Flat Washer 3/8	3
24	Z74122	Set Screw, 5/16NF	4
25	Z94601	Decal, SMV	1



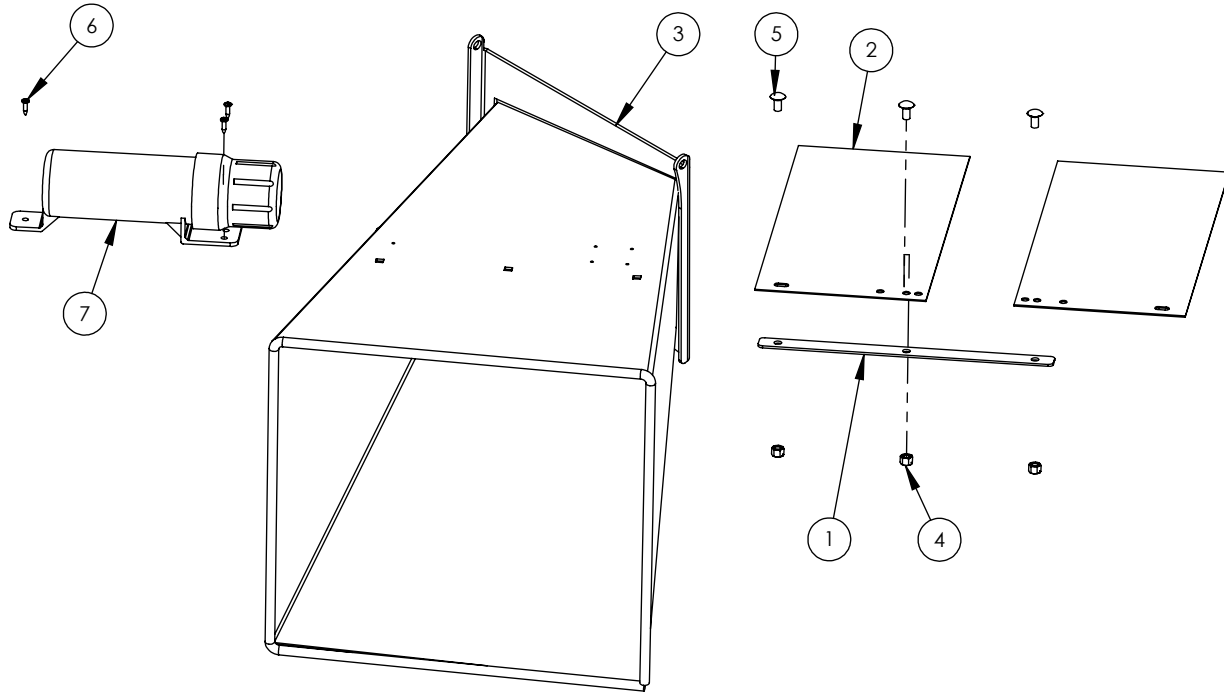
# BX42 DISCHARGE CHUTE PARTS BREAKDOWN

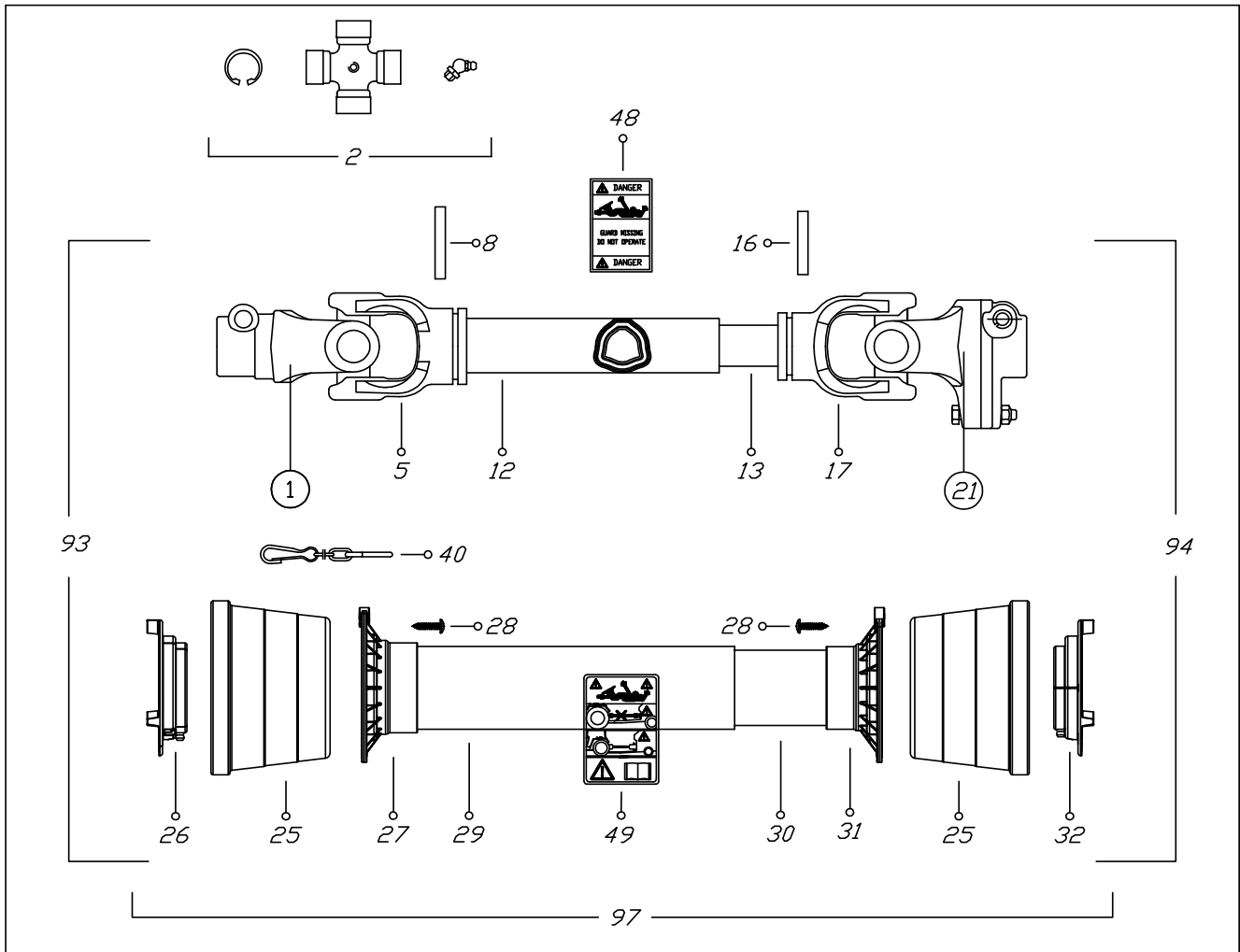
ITEM	PART NO.	DESCRIPTION	QTY.
1	1016L027	Plate, Spacer Ring	1
2	1016L029	Plate, Spacer Ring	1
3	1016L030	Plate, Hood Capture	1
4	1016L033	Deflector, Discharge Chute	1
5	1016L034	Plate, Hood Capture	1
6	1016W006	Discharge Chute	1
7	1012W208	Assembly, Hood Latch	1
8	Z19313	Knob, 5/16NC Female Stud	2
9	Z71110	Hex Bolt 1/4NC x 1	8
10	Z72111	Hex Lock Nut 1/4NC	8
11	Z72914	Acorn Nut, 5/16NC	2



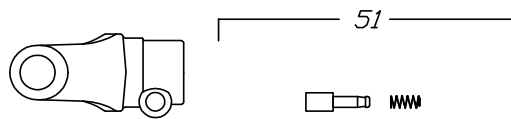
### HOPPER PARTS BREAKDOWN

ITEM	PART NO.	DESCRIPTION	QTY
1	1011L151	Strap, Hopper Flap	1
2	1011S103	Flap, Hopper	2
3	1011W107	Weldment, Infeed Hopper	1
4	Z72231	Hex Lock Nut 3/8NC	3
5	Z76233	Carriage Bolt 3/8NC x 3/4	3
6	Z76712	Self-tapping Screw #10	3
7	Z96503	Manual Tube 3-1/2 Short	1

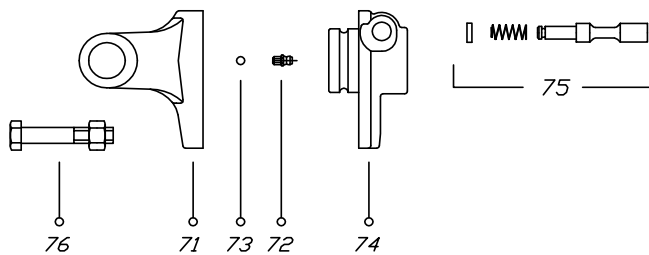




①



②①



VIETATE LE RIPRODUZIONI NON AUTORIZZATE  
NOT PERMITTED AL RIGHTS RESERVED

TOUTE REPRODUCTION NON AUTORISEE EST INTERDITE  
NICHT GENEHMIGTE VERVIELFÄLTUNGEN SIND UNZULASSIG

CODICE C.E.D.  
B4N061USA60098

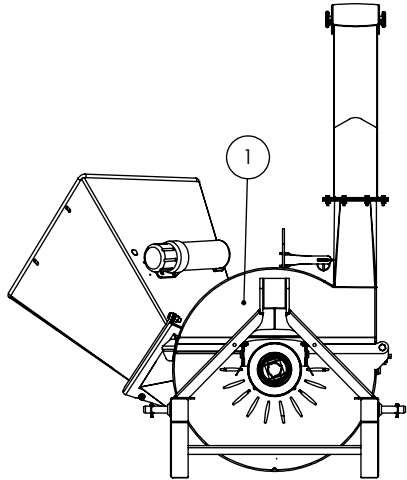
DATA  
25/03/10



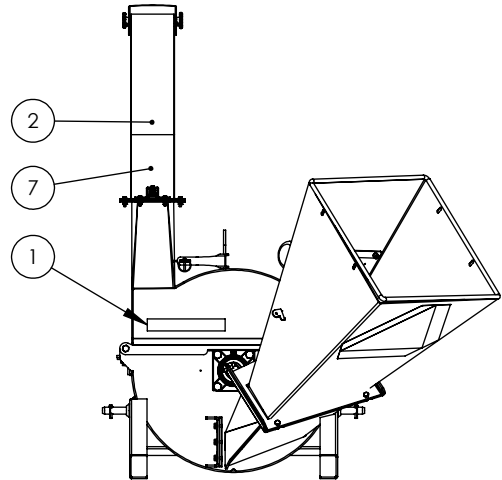
<b>Binacchi SPARE PARTS LIST : B5D056US098001</b>			
<b>POS.</b>	<b>DESCRIPTION</b>	<b>Q.</b>	<b>Part #</b>
01	YOKE	1	0800503
02	CROSS JOURNAL ASS.	2	08205
05	OUTER TUBE YOKE	1	08005021
08	FLEXIBLE PIN	1	098701075
12	CM. 100 CARDAN TUBE(*)	1	09881523100
13	CM. 100 CARDAN TUBE(*)	1	09881454100
16	FLEXIBLE PIN	1	0987001065
17	INNER TUBE YOKE	1	08005011
21	SHEAR BOLT	1	08805A604633
25	CONE SHIELD BELL 05-06	2	021906C001
26	OUTER BEARING 05	1	025505C001
27	OUTER BASE CONE 05-06	1	025406C001
28	SCREW	6	0998052242
29	OUTER SAFETY TUBE	1	0988981NB5056
30	INNER SAFETY TUBE	1	0988975NB5056
31	INNER BASE CONE 05-06	1	025406C002
32	INNER BEARING 05	1	025505C002
40	CHAIN	1	0252000001
48	LABEL DANGER OUTER DRIVE TUBE	1	09872006
49	EXTERNAL SHIELD LABEL	1	09872003
51	COMPLETE PUSH BUTTTON	1	0986014047
71	YOKE FOR LB5	1	08896905
72	GREASE NIPPLE	1	0984010150
73	STEEL BALL	23	098680104
74	HUB	1	088965A60
75	PUSH PIN SET	1	0986014075
76	NUT AND BOLT M10 x 1.5 x 55 10.9	1	Z19407 (5 Pack)
93	OUTER HALF SHAFT	1	B5056US2
94	INNER HALF SHAFT	1	B5056US1098001
97	SAFETY GUARD	1	083US05056

### BX42S DECAL BREAKDOWN

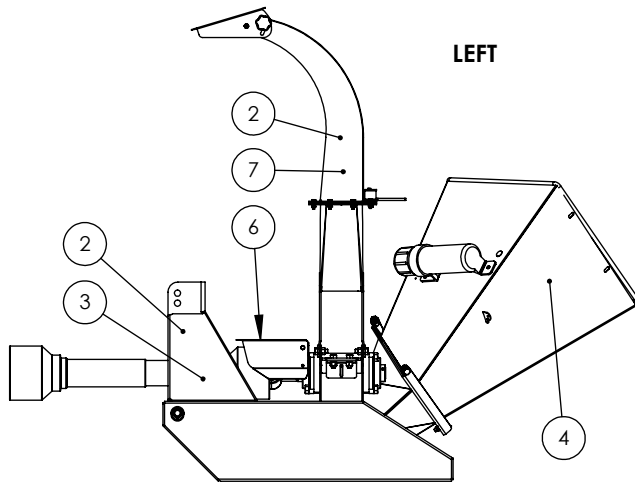
ITEM	PART NO.	DESCRIPTION	QTY
1	Z94056	WALLENSTEIN Decal	2
2	Z94019	1" Dia. Made In Canada	5
3	Z94170	BX42S Model	2
4	Z94007	DANGER - Rotating Blades	3
5	Z94006	CAUTION - Read Manual	1
6	Z94009	DANGER - Rotating Driveline Hazard	1
7	Z94008	DANGER - Thrown Object Hazard	3
8	Z94601	SMV Decal	1



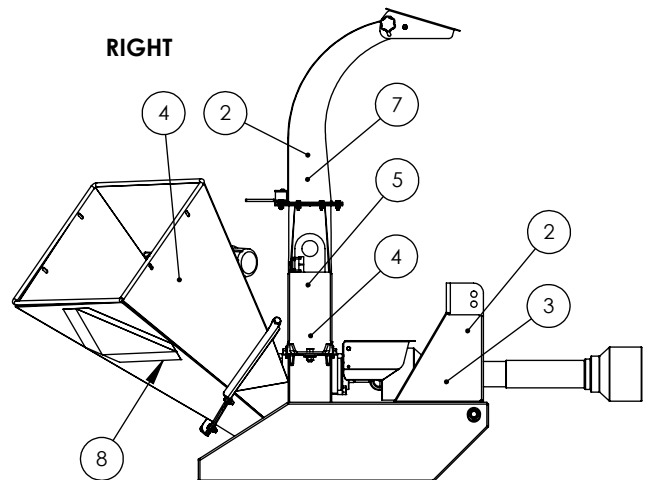
FRONT



BACK



LEFT



RIGHT

# Decals BX42S

Z94056



Z94170



Z94019



Z94006



Z94007



Z94601



Z94009



Z94008





**WALLENSTEIN Products Manufactured by:**

**EMB MFG Inc.**

4144 Boomer Line  
St. Clements, Ontario  
Canada N0B 2M0  
Phone: 1-877-695-9283  
Fax: 519-699-4146  
[www.embmfg.com](http://www.embmfg.com)