



EMB Manufacturing Inc.  
4144 Boomer Line · St. Clements, On · N0B 2M0 · Canada  
Ph: (519) 699-9283 · Fax: (519) 699-4146  
[www.wallensteinequipment.com](http://www.wallensteinequipment.com)

# WX530 Trailer Log Splitter Parts Manual

S/N 2E9US1111ES260163 & After  
260163 & After



Refer to the operators  
manual for safe opera-  
tion and maintenance

2053T100 WX530 RevF3 Parts Manual.300616  
Rev # 221216

## Foreword

EMB Mfg. has prepared this parts manual to assist customers in ordering quality OEM replacement parts.

Proper and regular service and replacing old, worn or broken parts with the correct OEM parts are essential to prolonging the life of your EMB product. Please refer to this manual before ordering any replacement parts.

All information contained in this parts manual is based on the latest product specification available at the time of printing this manual. If your product differs from the specifications contained within this manual contact EMB Mfg. for information.

EMB reserves the right to alter specifications on their products at any time.

Reproduction of this parts manual of any kind is prohibited without prior written permission from EMB Mfg.

For parts and information please contact your dealer. If your dealer is no longer available please go to our website: <http://www.wallensteinequipment.com> and click on "FIND A DEALER NEAR YOU" for information on a local dealer.

## Table of Contents

Bolt Torque	4
Hydraulic Fitting Torque	5
Main Parts	6
Engine & Pump	9
Valve	10
Hub	12
Valve & Fittings	13
Cylinder	14
4-Way Wedge (Optional)	15
Light Kit (Optional)	17
Hydraulic Schematic	18
Decal Breakdown	19

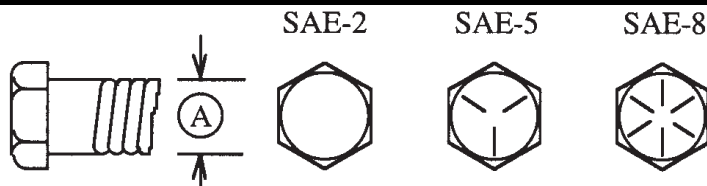
**Bolt Torque**

**CHECKING BOLT TORQUE**

The tables shown below give correct torque values for various bolts and capscrews. Tighten all bolts to the torques specified in chart unless otherwise noted. Check tightness of bolts periodically, using bolt torque chart as a guide. Replace hardware with the same strength bolt.

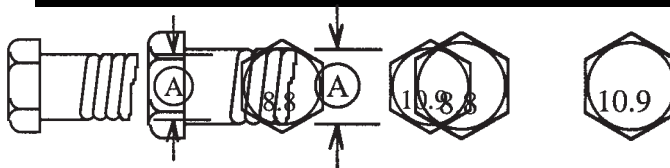
**ENGLISH TORQUE SPECIFICATIONS**

Bolt Diameter "A"	Bolt Torque*					
	SAE 2 (N.m) (lb-ft)		SAE 5 (N.m) (lb-ft)		SAE 8 (N.m) (lb-ft)	
1/4"	8	6	12	9	17	12
5/16"	13	10	25	19	36	27
3/8"	27	20	45	33	63	45
7/16"	41	30	72	53	100	75
1/2"	61	45	110	80	155	115
9/16"	95	60	155	115	220	165
5/8"	128	95	215	160	305	220
3/4"	225	165	390	290	540	400
7/8"	230	170	570	420	880	650
1"	345	225	850	630	1320	970



**METRIC TORQUE SPECIFICATIONS**

Bolt Diameter "A"	Bolt Torque*			
	8.8 (N.m) (lb-ft)		10.9 (N.m) (lb-ft)	
M3	0.5	0.4	1.8	1.3
M4	3	2.2	4.5	3.3
M5	6	4	9	7
M6	10	7	15	11
M8	25	18	35	26
M10	50	37	70	52
M12	90	66	125	92
M14	140	103	200	148
M16	225	166	310	229
M20	435	321	610	450
M24	750	553	1050	774
M30	1495	1103	2100	1550
M36	2600	1917	3675	2710



Torque figures indicated above are valid for non-greased or non-oiled threads and heads unless otherwise specified. Therefore, do not grease or oil bolts or capscrews unless otherwise specified in this manual. When using locking elements, increase torque values by 5%.

\* Torque value for bolts and capscrews are identified by their head markings.

**Hydraulic Fitting Torque**

**Tightening Flare Type Tube Fittings \***

1. Check flare and flare seat for defects that might cause leakage.
2. Align tube with fitting before tightening.
3. Lubricate connection and hand tighten swivel nut until snug.
4. To prevent twisting the tube(s), use two wrenches. Place one wrench on the connector body and with the second tighten the swivel nut to the torque shown.

Tube Size OD (in.)	Nut Size Across Flats (in.)	Torque Value*		Recommended Turns To Tighten (After Finger Tightening)	
		(N.m)	(lb-ft)	(Flats)	(Turn)
3/16	7/16	8	6	1	1/6
1/4	9/16	12	9	1	1/6
5/16	5/8	16	12	1	1/6
<b>3/8</b>	<b>11/16</b>	<b>24</b>	<b>18</b>	<b>1</b>	<b>1/6</b>
1/2	7/8	46	34	1	1/6
5/8	1	62	46	1	1/6
3/4	1-1/4	102	75	3/4	1/8
7/8	1-3/8	122	90	3/4	1/8

The torque values shown are based on lubricated connections as in reassembly.

**Wheel Lug Torque**

It is extremely important safety procedure to apply and maintain proper wheel mounting torque on your trailer axle. Torque wrenches are the best method to assure the proper amount of torque is being applied to a fastener.

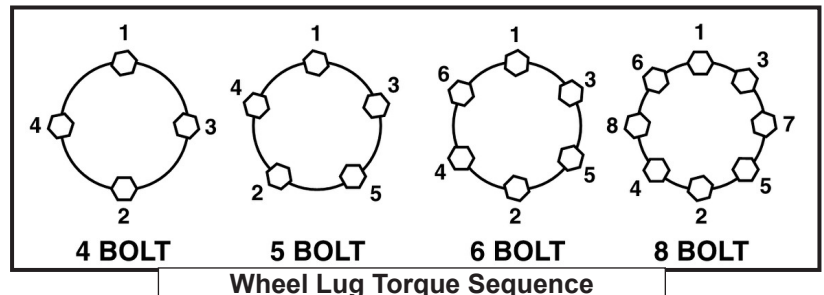
Wheel lugs should be torqued before first road use and after each wheel removal. Check and re torque after the first 16Km (10 miles), 40Km (25 miles), and again at 80Km (50 miles). Check periodically thereafter.

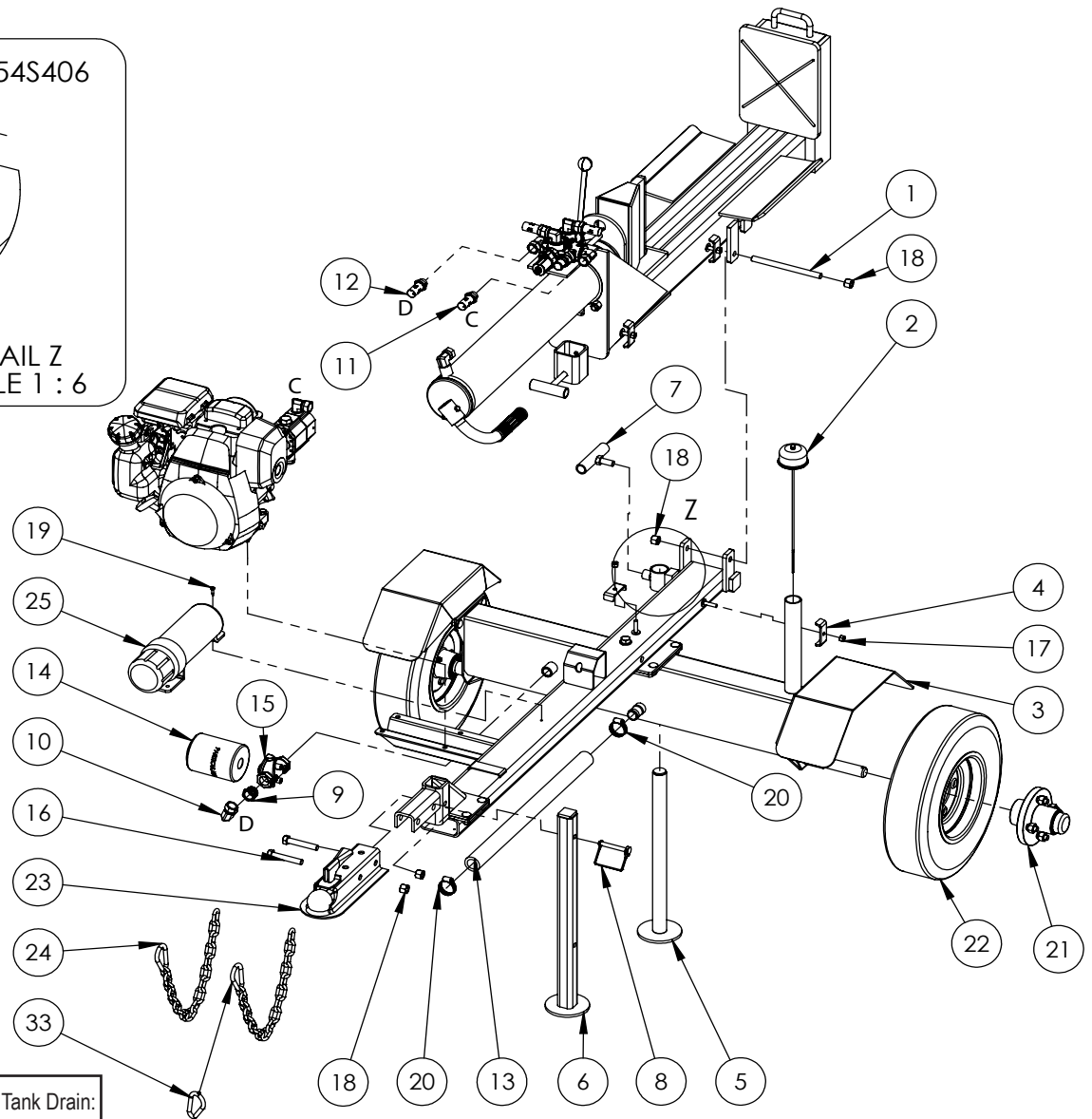
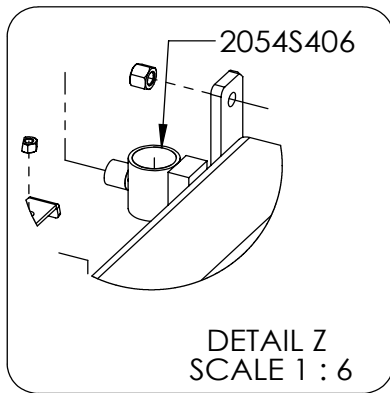
Note: Wheel lugs must be applied and maintained at the proper torque levels to prevent loose wheels, broken studs, and possible dangerous separation of wheels from your axle.

- Start all lugs by hand to prevent cross threading.
- Tighten lugs in sequence, per wheel lug torque sequence chart.
- The tightening of the fasteners should be done in stages. Following the recommended sequence, tighten fasteners per wheel torque requirements chart.

**Wheel Torque Requirements**

Wheel Size	Torque Unit	1st Stage	2nd Stage	3rd Stage
8"	ft-lbs	12 - 20	30 - 35	45 - 55
	Nm	16 - 26	39 - 45.5	58.5 - 71.5
12"	ft-lbs	20 - 25	35 - 40	50 - 60
	Nm	26 - 32.5	45.5 - 52	65 - 78
13"	ft-lbs	20 - 25	35 - 40	50 - 60
	Nm	26 - 32.5	45.5 - 52	65 - 78
14"	ft-lbs	20 - 25	50 - 60	90 - 120
	Nm	26 - 32.5	65 - 78	117 - 156
15"	ft-lbs	20 - 25	50 - 60	90 - 120
	Nm	26 - 32.5	65 - 78	117 - 156
16"	ft-lbs	20 - 25	50 - 60	90 - 120
	Nm	26 - 32.5	65 - 78	117 - 156

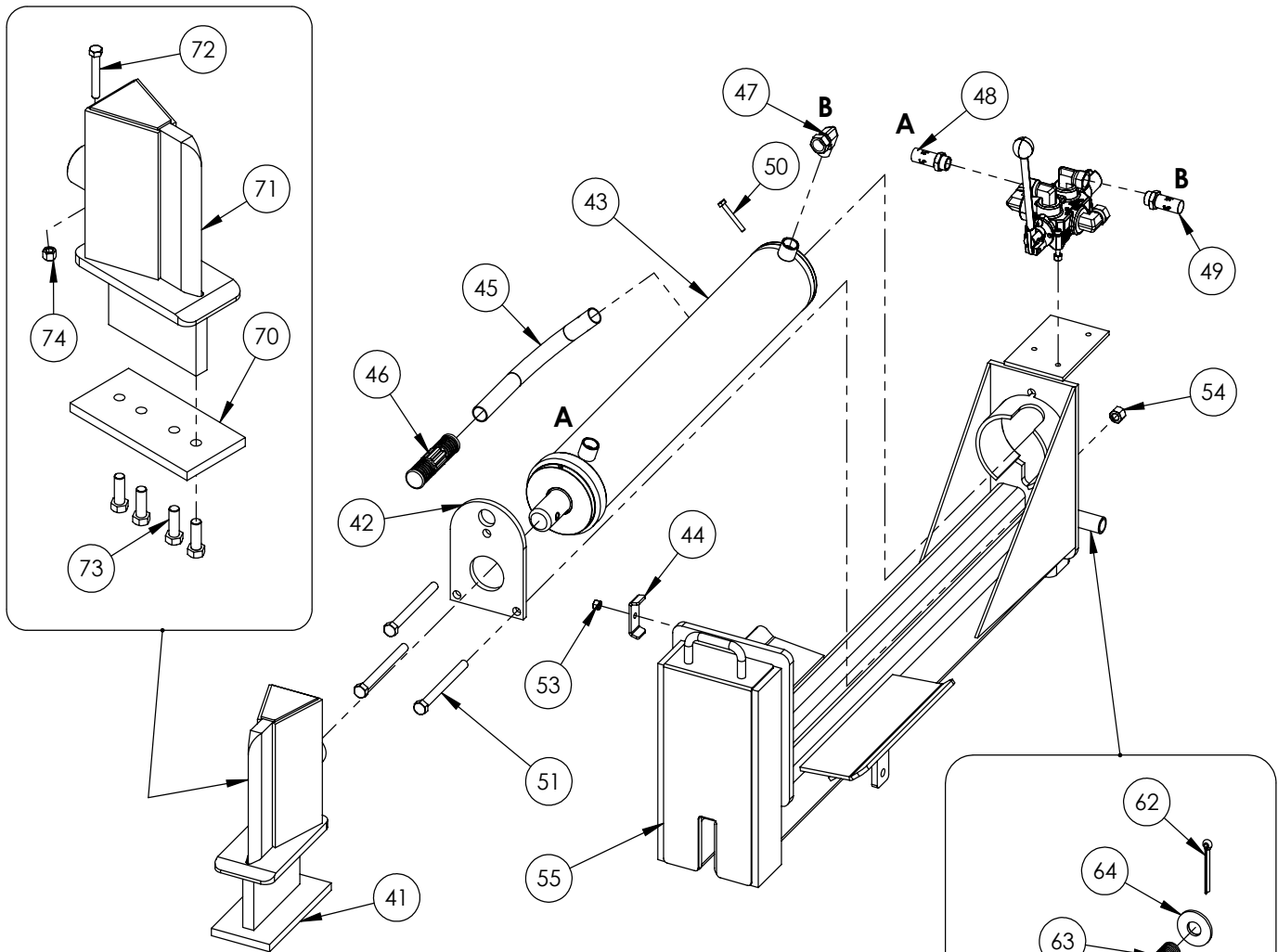




On Models with Hydraulic Tank Drain:  
#Z51192 Socket Plug, MP 08

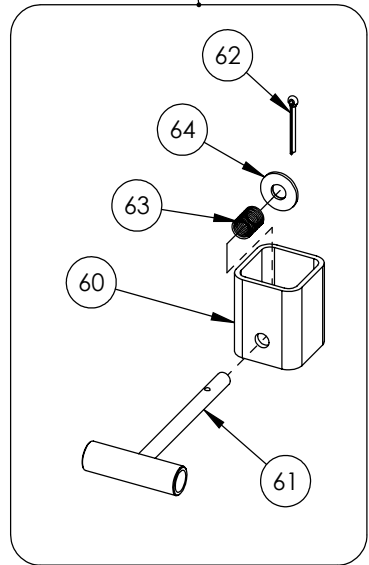
### WX530 PARTS BREAKDOWN

ITEM	PART NO.	DESCRIPTION	QTY
1	2016M602	Pin, Pivot Threaded	1
2	Z55404	Vented Plug Dipsick x 9"	1
3	2054A601	Assembly, Main Base	1
4	2054L412	Clamp, Two Hose	2
5	2054W405	Jack Stand, Rear	1
6	2054W406	Jack Stand, Front	1
7	2054W407	Handle, Rear Jack Lock	1
8	Z12432	Snapper Pin 3/8 x 2-1/2	1
9	Z51221	Reducer FP x MP 1208	1
10	Z51331	Elbow 90 MP x FPX 0808	1
11	Z52309	1/2 Hose, 1/2MPx1/2MPx 70"	1
12	Z52311	1/2 Hose, 1/2MPx1/2MPx 75"	1
13	Z52405	Suction Hose, 1" x 22"	1
14	Z55301	Oil Filter - 3/4 - Particulate	1
15	Z55302	Filter Cap, 3/4 x 3/4	1
16	Z71530	Hex Bolt 1/2NC x 3	2
17	Z72221	Hex Lock Nut 5/16NC	2
18	Z72251	Hex Lock Nut 1/2NC	4
19	Z76721	Self-tapping Screw 1/4 x 3/4	1
20	Z79401	Hose Clamp, #16	2
21	Z91202	Assembly, 1000# 4-Bolt Hub	2
22	Z91301	4.80-8 LRB SportTrail	2
23	Z91614	2" Hitch Coupler	1
24	Z92303	Safety Chain 1/4 x 2'	2
25	Z96503	Manual Tube 3-1/2 Short	1

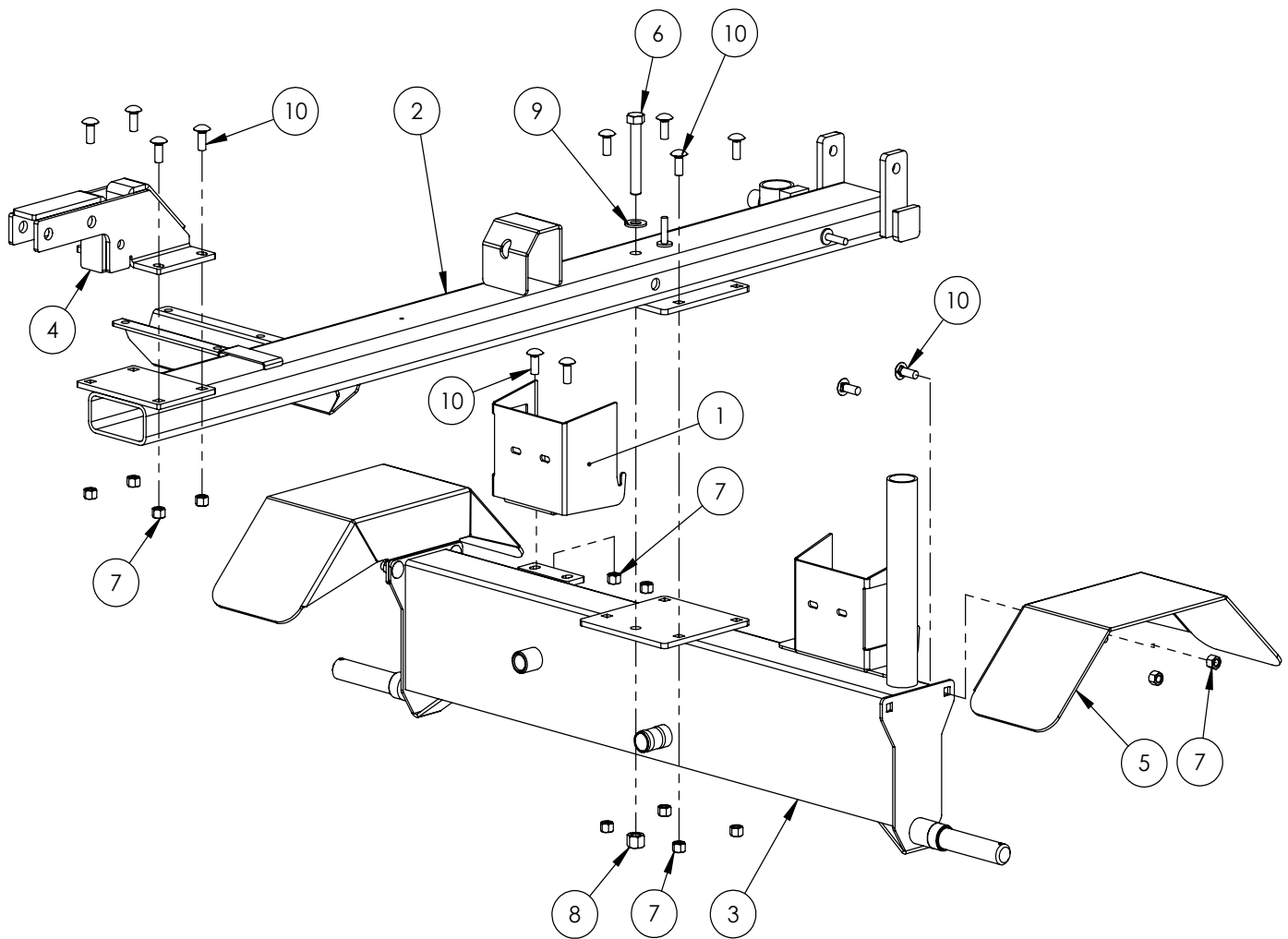


**WX530 SPLITTER BASE PARTS BREAKDOWN**

ITEM	PART NO.	DESCRIPTION	QTY
40	2011A103	Assembly, Valve with Fittings	1
41	2014A401	Assembly, Wide Sliding Wedge	1
42	2014S421	Plate, Cylinder Retaining (Bolt)	1
43	2054C401	Cylinder, 4 x 24 x 1-1/2	1
44	2054L412	Clamp, Two Hose	2
45	2054S414	Handle, Lift	1
46	Z19321	Grip, 1" x 5"	1
47	Z51331	Elbow 90 MP x FFX 0808	1
48	Z52301	1/2 Hose MP08 x MP08 x 16"	1
49	Z52305	1/2 Hose, MP08 x MP08 x 24"	1
50	Z71120	Hex Bolt 1/4NC x 2	1
51	Z71555	Hex Bolt 1/2NC x 5-1/2	3
52	Z72111	Hex Lock Nut 1/4NC	1
53	Z72221	Hex Lock Nut 5/16NC	2
54	Z72251	Hex Lock Nut 1/2NC	3
55	2054W409	Weldment, H/V Rotating Base	1
ITEM	PART NO.	DESCRIPTION	QTY
60	2016S604	Housing, Latch Spring	1
61	2016W603	Handle, Spring Latch	1
62	Z12321	Cotter Pin 3/16 X 2-1/2	1
63	Z32301	Spring 19mm x 79mm Med	1
64	Z73250	Wide Flat Washer, 1/2	1
ITEM	PART NO.	DESCRIPTION	QTY
70	2014S414	Plate, Sliding Wedge Capture	1
71	2014W402	Weldment, Sliding Wedge	1
72	Z71325	Hex Bolt 3/8NC x 2-1/2	1
73	Z71576	Hex Bolt 1/2NF x 1-1/2	4
74	Z72231	Hex Lock Nut 3/8NC	1



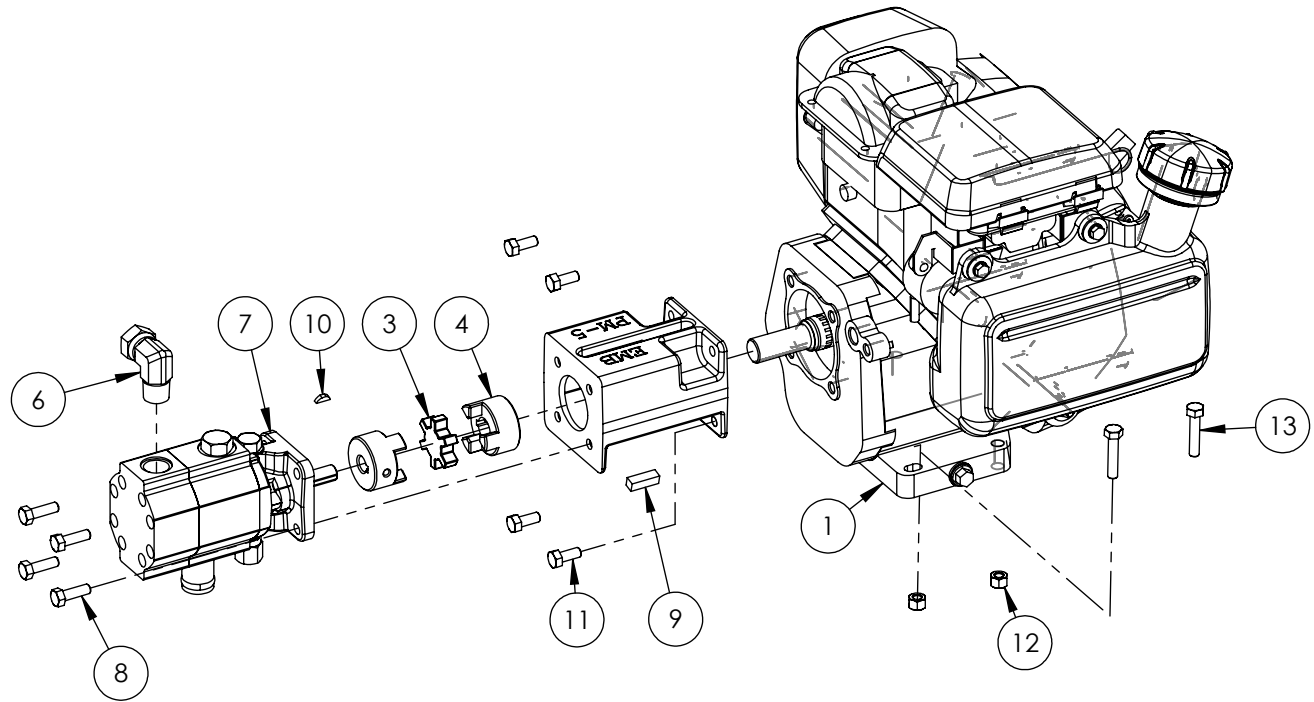
2016A602 LATCH KIT  
(WELDED ON)



### 2054A601 PARTS BREAKDOWN

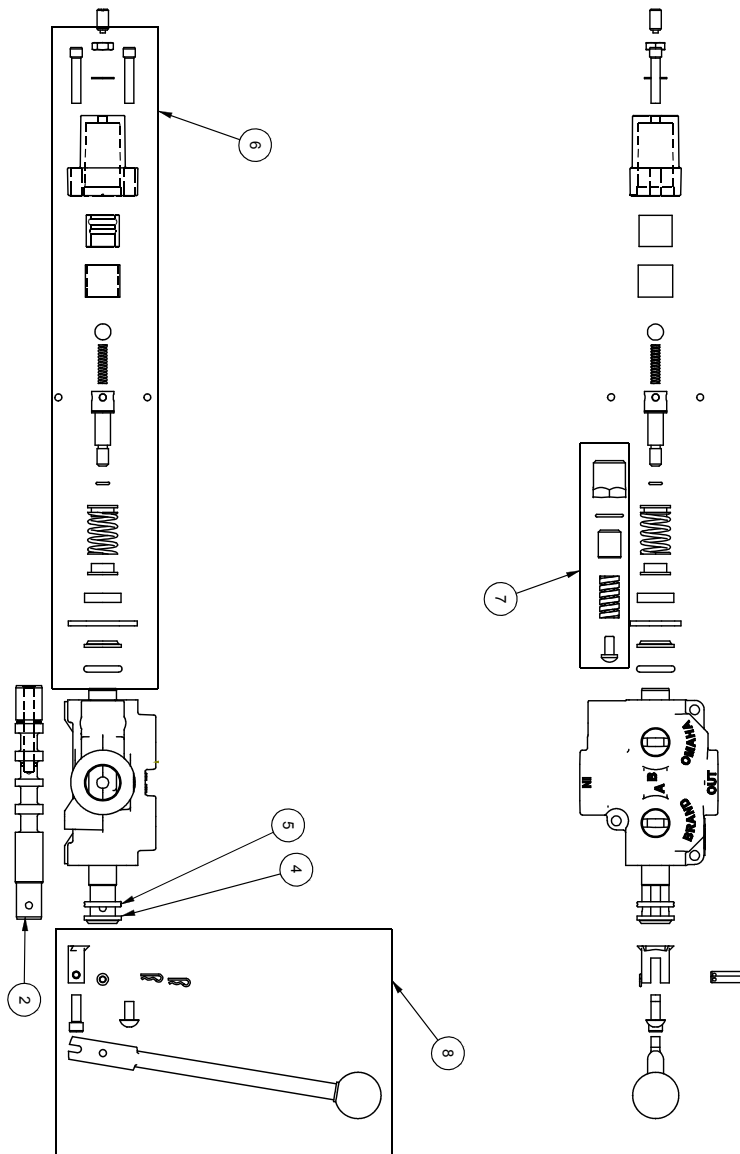
ITEM	PART NO.	Description	QTY.
1	2054L601	Light Bracket, RH	1
2	2054W602	Spine, Trailer	1
3	2054W661	Weldment, Tank - Axle	1
4	2054W604	Weldment, Hitch Mount	1
5	2054W408	Weldment, Fender	2
6	Z71537	Hex Bolt 1/2NC x 3-3/4	1
7	Z72231	Hex Lock Nut 3/8NC	14
8	Z72251	Hex Lock Nut 1/2NC	1
9	Z73151	Flat Washer, 1/2	1
10	Z76231	Carriage Bolt 3/8NC x 1	14





## 2051A104 PARTS BREAKDOWN

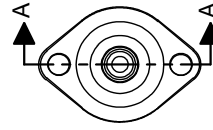
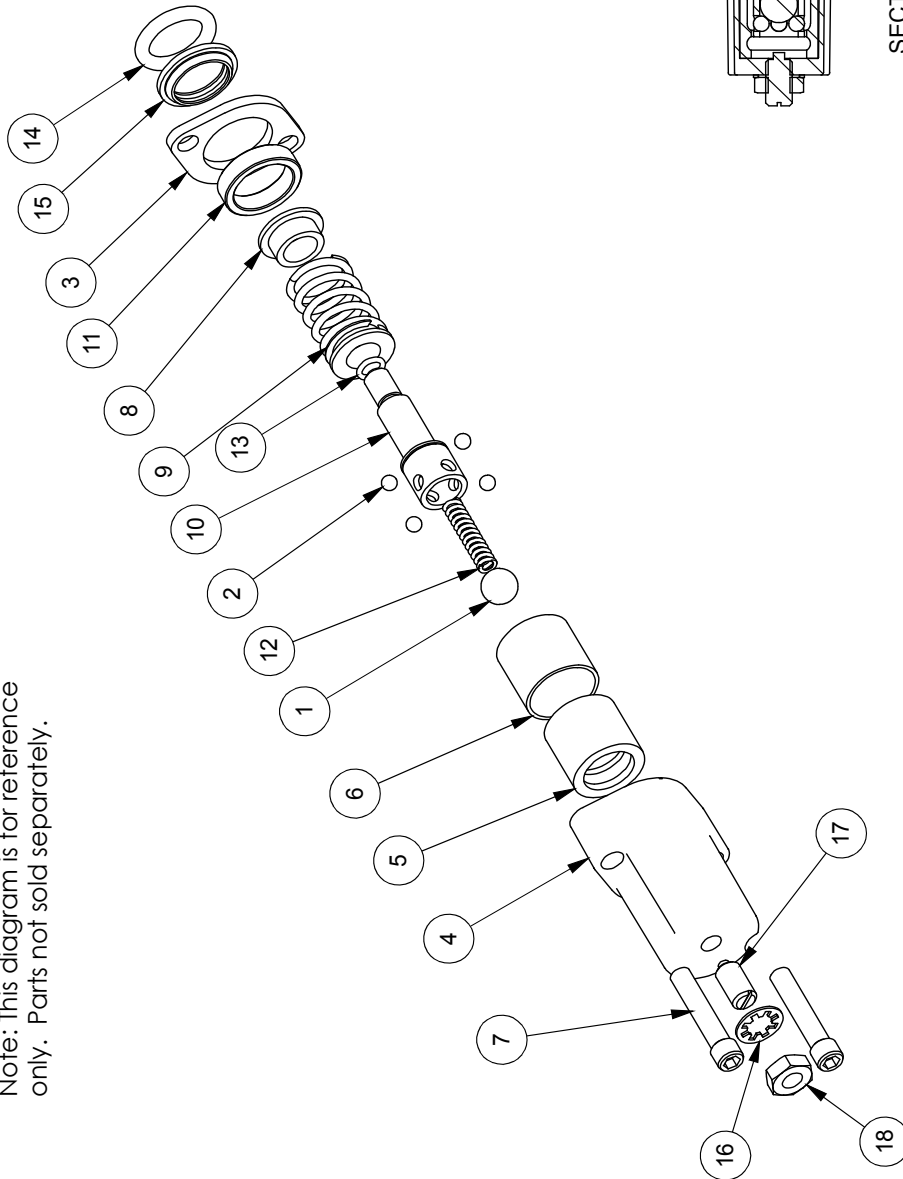
ITEM	PART NO.	DESCRIPTION	QTY
1	Z47306	Honda GC160 Engine	1
2	Z53801	Pump Mounting, PM-5	1
3	Z46408	Coupler Spider L075	1
4	Z46406	Shaft Coupler L075 x 3/4	1
5	Z46410	Shaft Coupler L075 x 1/2	1
6	Z51331	Elbow 90 MP x FPX 0808	1
7	Z53204	Pump, 11gpm Two-Stage	1
8	Z71210	Hex Bolt 5/16NC x 1	4
9	Z46542	Key 5/16 x 5/16 x 1	1
10	Z46592	Woodruff Key, 1/8 x 1/2	1
11	Z71273	Hex Bolt, 5/16NF x 3/4	4
12	Z72221	Hex Lock Nut 5/16NC	4
13	Z71215	Hex Bolt, 5/16NC x 1-1/2	4



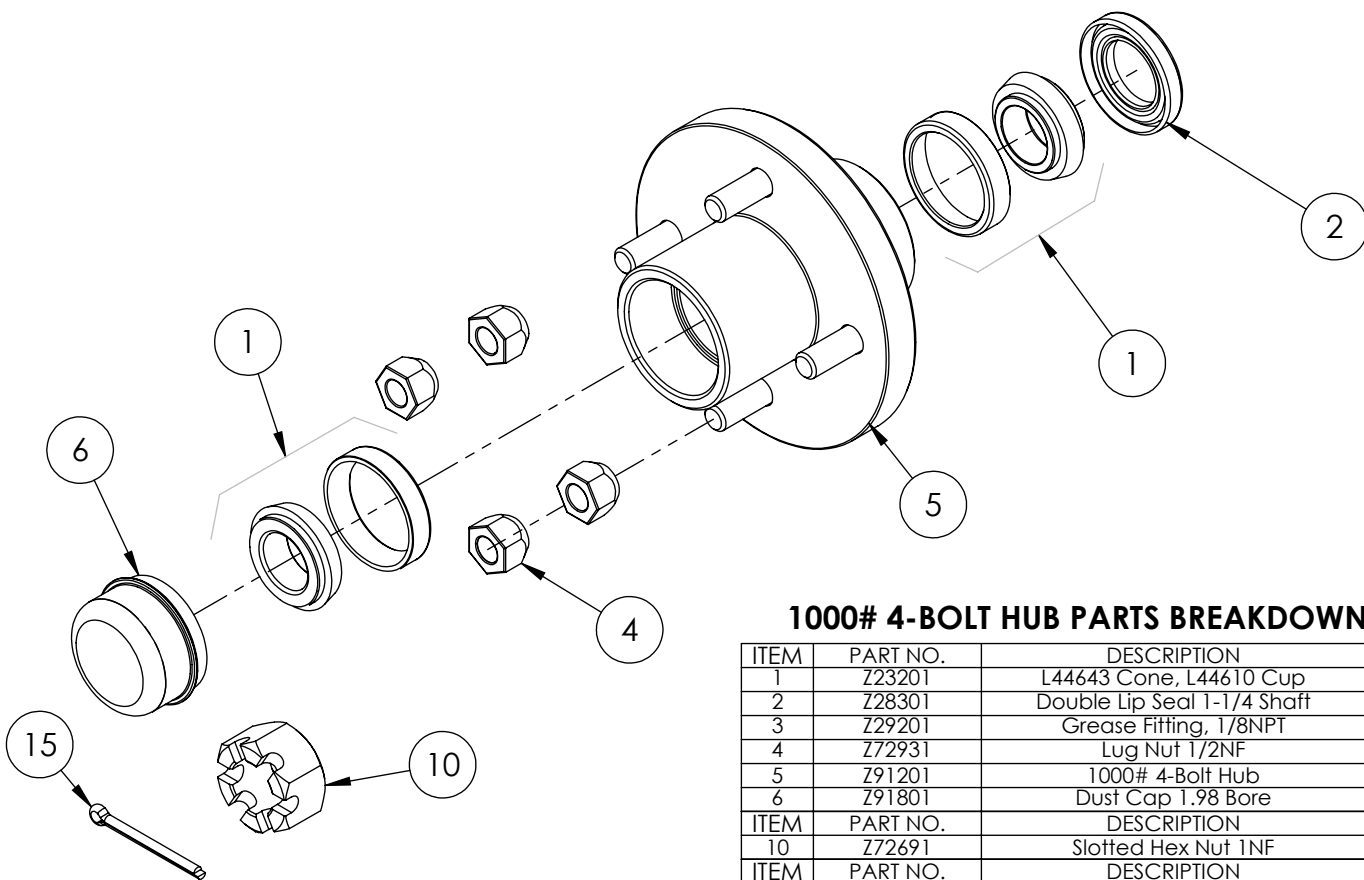
ITEM NO.	QTY.	PART NO.	DESCRIPTION
1	1	A0CASTB	AO CASTING
2	1	LS304T4J	SPOOL
3	1	P1740	NAME TAG
4	1	SF305	WIPER
5	1	SF304	QUAD RING
6	1	SUB-LS	SUB-LS
	1	B5057	7/16 BALL
	4	DC7804	3/16 BALL
	1	SF306	RETAINER
	1	SF477L	SH LS ENDCAP
	1	XDC672	LS SLEEVE
	1	SF483	SPACER
	2	SF486	ALLEN SCREW
	2	SF489	CENTER STOP
	1	SF490	CENTERING SPRING
	1	SF492	HOUSING
	1	SF315	SPACER
	1	LS305	DETENT SPRING
	1	DC7583	O-RING 3.902
	1	SF496	O-RING BLUE METRIC
	1	LS306	LS WIPER
	1	SF502	5/16 LOCK WASHER
	1	SF503	PLUNGER SPRING
	1	SF504	5/16 HEX JAM NUT
7	1	SUB-R	RELIEF
	1	P1603	CAP NUT
	1	SF322	O-RING 2.016
	1	SF364A	ADJ. SCREW
	1	B505	SPRING
	1	SF361A	POCKET
8	1	Z56915	HANDLE KIT
	1	SF377	RETAINER
	1	SF376	SEAL RETAINER
	1	SF367A	CLEVIS
	1	SF368	HANDLE
	2	SF369	PIN
	2	P1767	PIN CLIP
	1	HP5	MACH. SCREW
	1	SF311	KNOB
	1	SF308	CAP SCREW
	1	SF303T4J	SPOOL
9	1	P1654	WARNING TAG

ITEM NO.	QTY.	PART NO.	DESCRIPTION
1	1	B5057	7/16 BALL
2	4	DC7604	3/16 BALL
3	1	SF306	RETAINER
4	1	SF477L	SH LS ENDCAP
5	1	SF480	SD SLEEVE
6	1	SF483	SPACER
7	2	SF486	ALLEN SCREW
8	2	SF489	CENTER STOP
9	1	SF490	CENTERING SPRING
10	1	SF492	HOUSING
11	1	SF315	SPACER
12	1	LS305	DETENT SPRING
13	1	DC7583	O-RING 3-902
14	1	SF496	METRIC O-RING
15	1	LS306	LS WIPER
16	1	SF502	5/16 LOCK WASHER
17	1	SF503	SPRING PLUNGER
18	1	SF504	5/16 HEX JAM NUT

Note: This diagram is for reference only. Parts not sold separately.

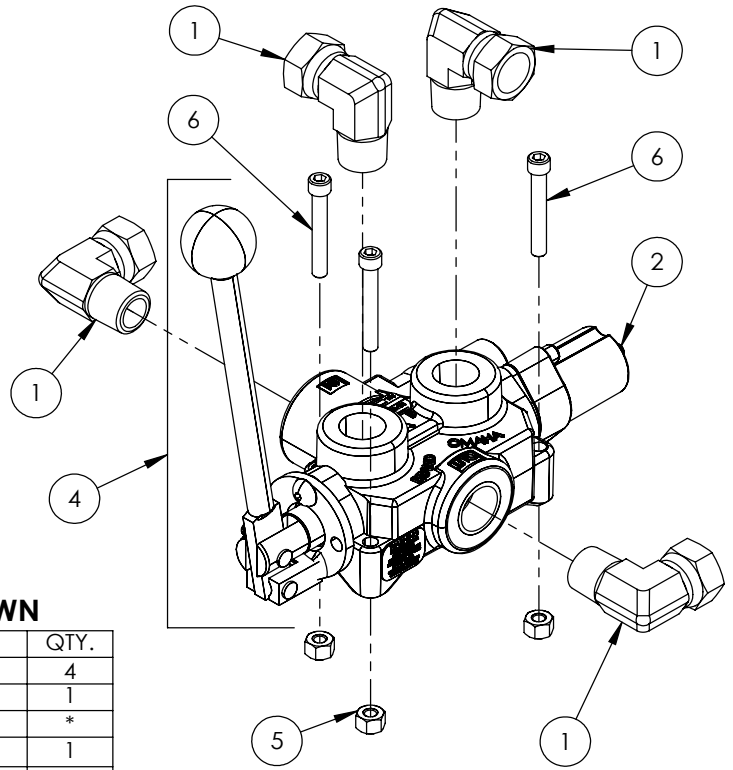


SECTION A-A



**1000# 4-BOLT HUB PARTS BREAKDOWN**

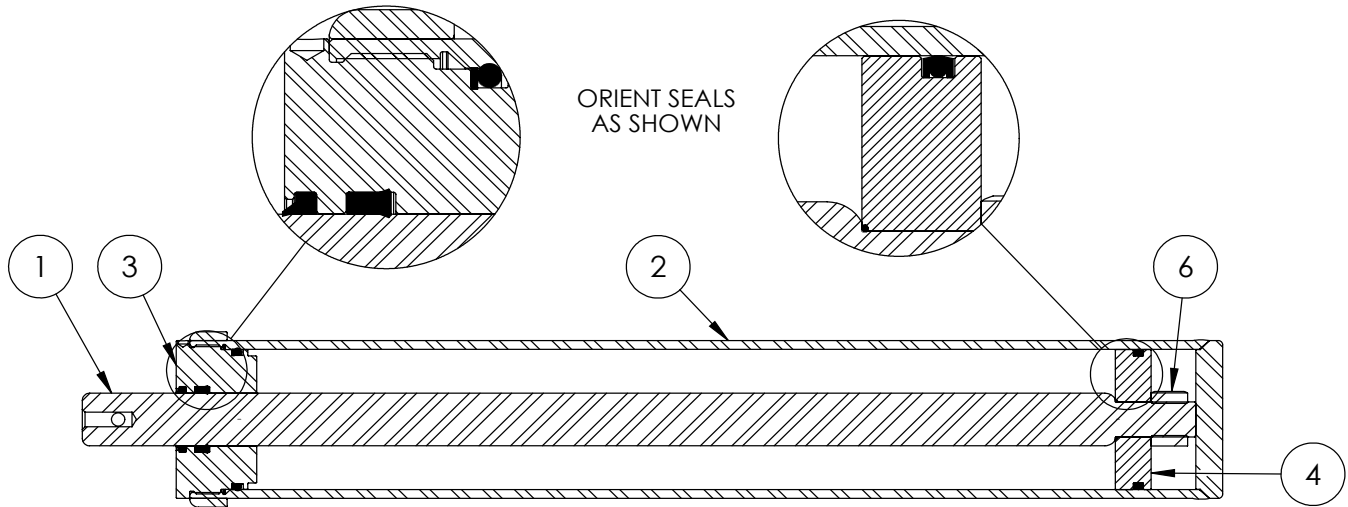
ITEM	PART NO.	DESCRIPTION	QTY
1	Z23201	L44643 Cone, L44610 Cup	2
2	Z28301	Double Lip Seal 1-1/4 Shaft	1
3	Z29201	Grease Fitting, 1/8NPT	1
4	Z72931	Lug Nut 1/2NF	4
5	Z91201	1000# 4-Bolt Hub	1
6	Z91801	Dust Cap 1.98 Bore	1
ITEM	PART NO.	DESCRIPTION	QTY
10	Z72691	Slotted Hex Nut 1NF	1
ITEM	PART NO.	DESCRIPTION	QTY
15	Z12322	Cotter Pin 3/16 X 2	1



**VALVE AND FITTINGS PARTS BREAKDOWN**

ITEM	PART NO.	Description	QTY.
1	Z51331	Elbow 90 MP x FPX 0808	4
2	Z56209	Valve, Single Function Detent	1
3	*Z56210*	Valve, Closed Center	*
4	Z56915	Complete Handle Kit for Z56209	1
5	Z72111	Hex Lock Nut 1/4NC	3
6	Z75114	SHCS, 1/4NC x 1-3/4	3

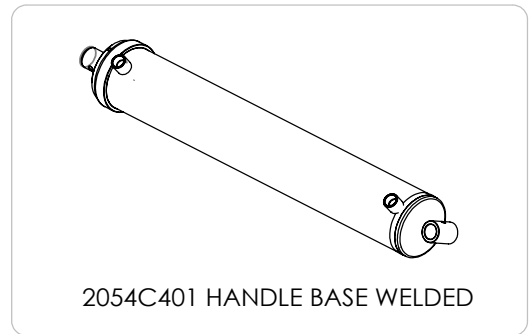
\*CLOSED CENTER VALVE REQUIRED FOR "C" MODELS.\*

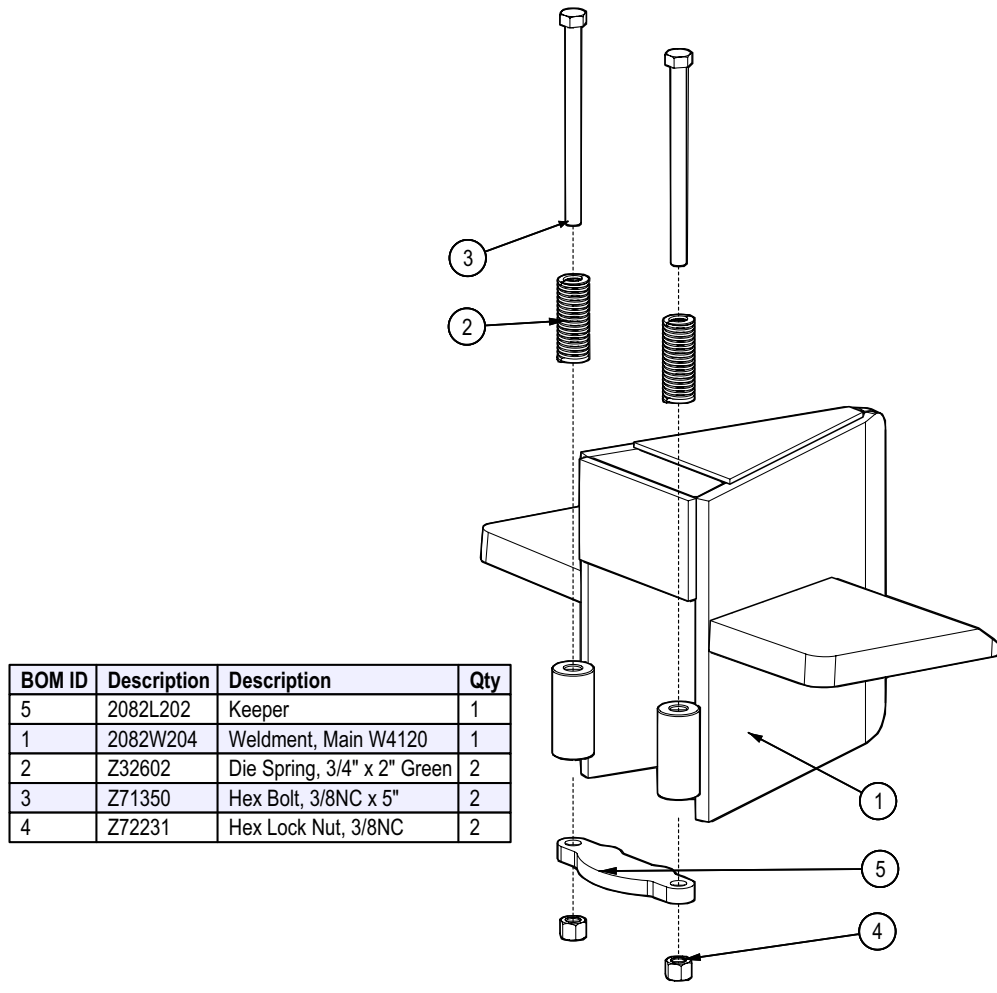


### 4" x 24" STROKE CYLINDER PARTS

ITEM	PART NO.	Description	QTY.
1	2011C1012	Rod, 1-1/2 x 1	1
2	2011C1014	Barrel, 4"	1
	*2054C1015*	*Barrel, 4" with Handle Base*	*
3	G400-150SA	4" Bore x 1-1/2" Rod Gland	1
4	P100-400SA	4" Bore Piston	1
5	SLK-4015	Seal Kit, 4 x 1-1/2	1
6	Z72292G8	Hex Lock Nut 1NF Grade 8	1

\*REQUIRED FOR HORIZONTAL / VERTICAL MODELS WITH HANDLE\*



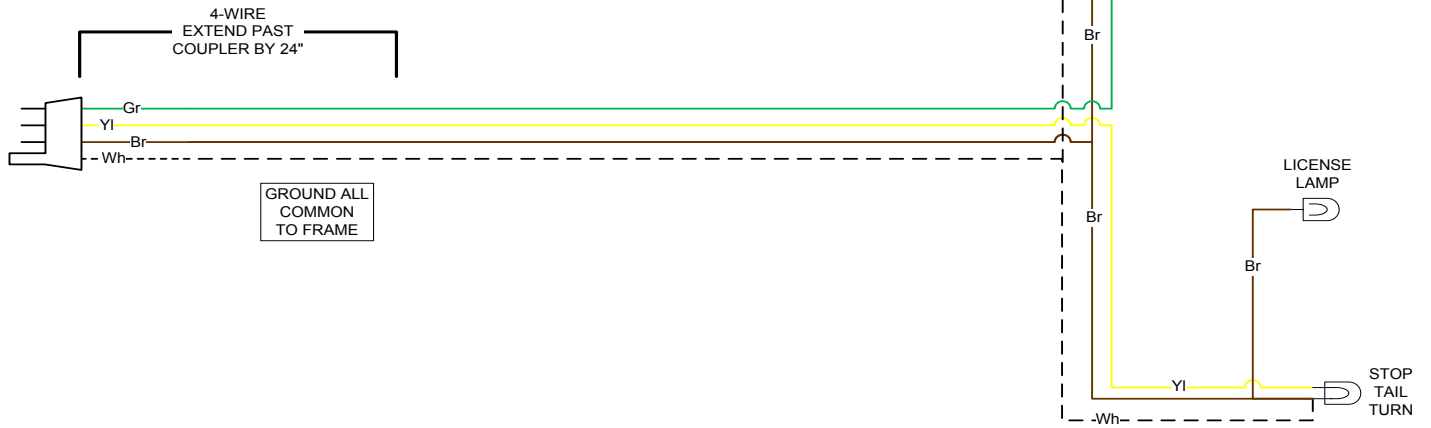


BOM ID	Description	Description	Qty
5	2082L202	Keeper	1
1	2082W204	Weldment, Main W4120	1
2	Z32602	Die Spring, 3/4" x 2" Green	2
3	Z71350	Hex Bolt, 3/8NC x 5"	2
4	Z72231	Hex Lock Nut, 3/8NC	2

# WX TRAILER SPLITTER WIRING

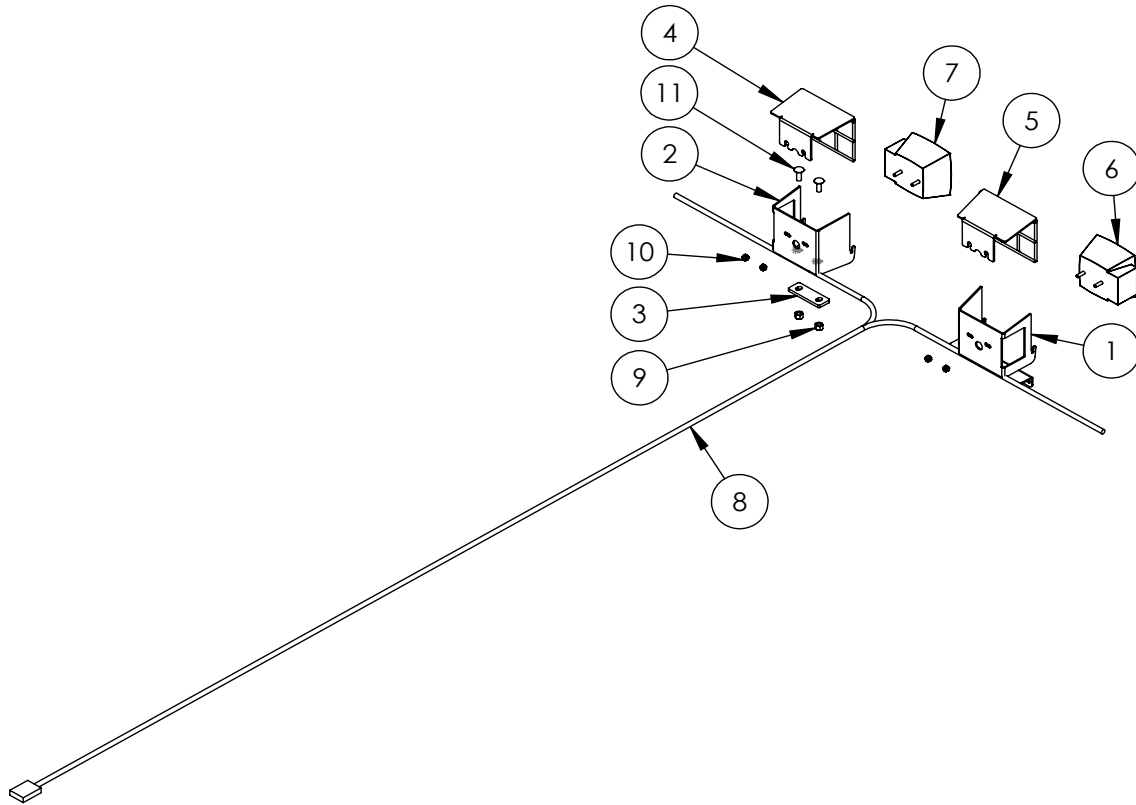
## RIGHT SIDE

KEY	
Bl	- BLUE
Br	- BROWN
Gr	- GREEN
Rd	- RED
Yl	- YELLOW
Bk	- BLACK
Wh	- WHITE



## LEFT SIDE

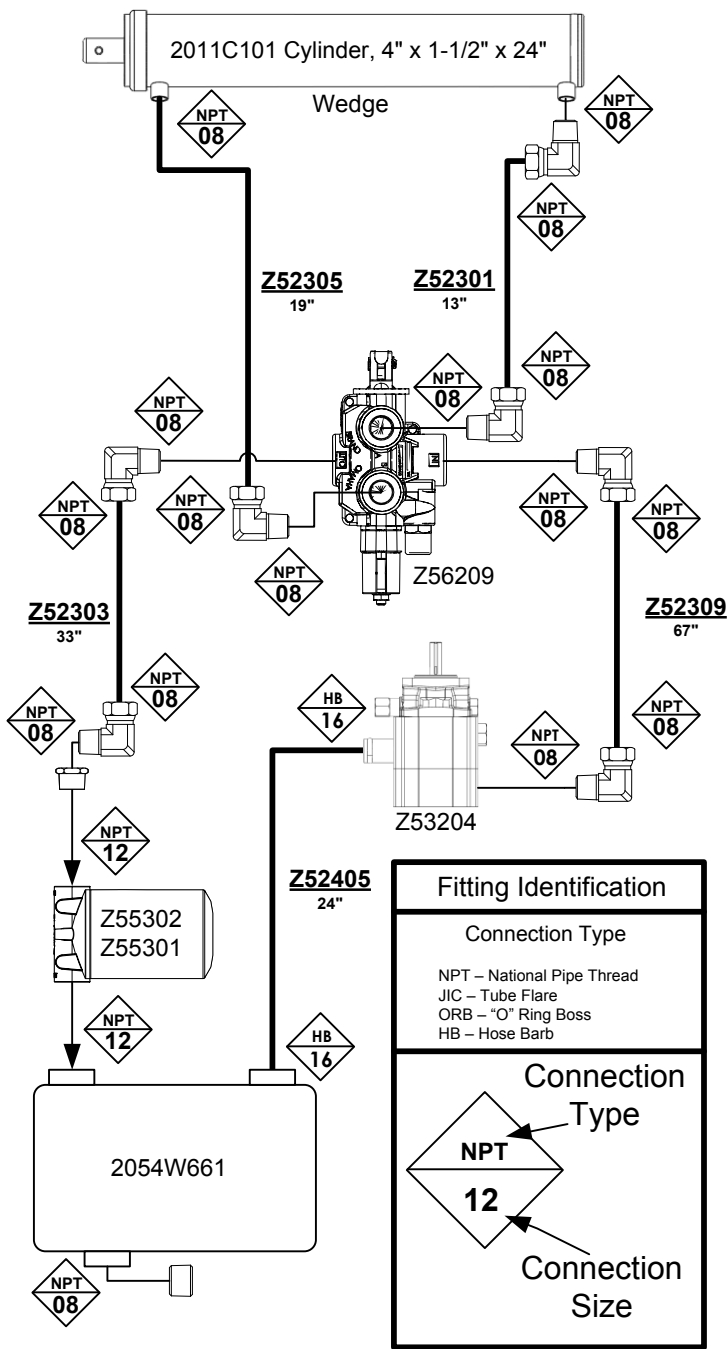




### 2089A350 LIGHT KIT (Optional)

ITEM	PART NO.	DESCRIPTION	QTY
1	2054L402	Light Bracket, LH	1
2	2054L601	Light Bracket, RH	1
3	2054L622	Bracket, Light Base	1
4	2054W403	Light Guard, RH	1
5	2054W404	Light Guard, LH	1
6	Z61106	Stop, Turn, Tail Light LH	1
7	Z61107	Stop, Turn, Tail Light RH	1
8	Z62105	110" Wishbone Trailer Harness	1
9	Z72231	Hex Lock Nut 3/8NC	2
10	Z72941	Serrated Washer Nut 1/4NC	4
11	Z76231	Carriage Bolt 3/8NC x 1	2

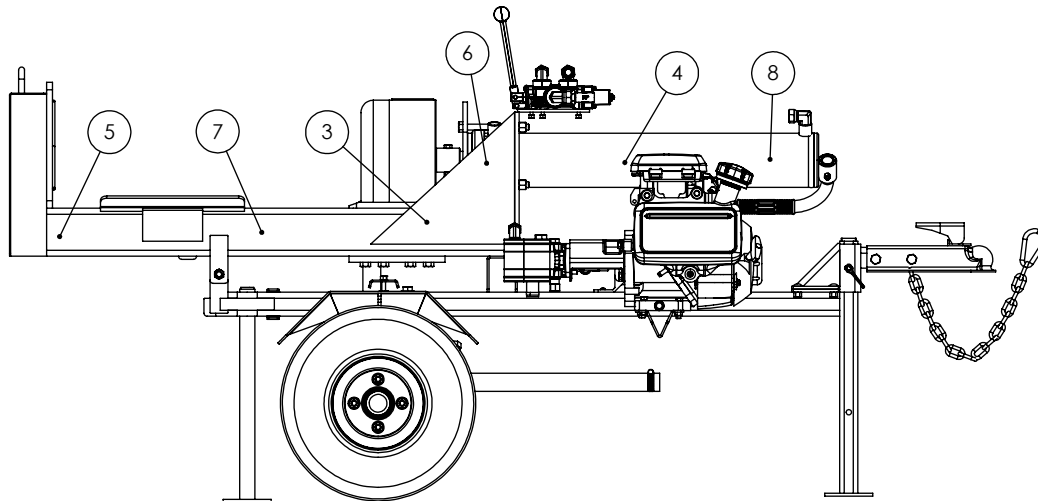
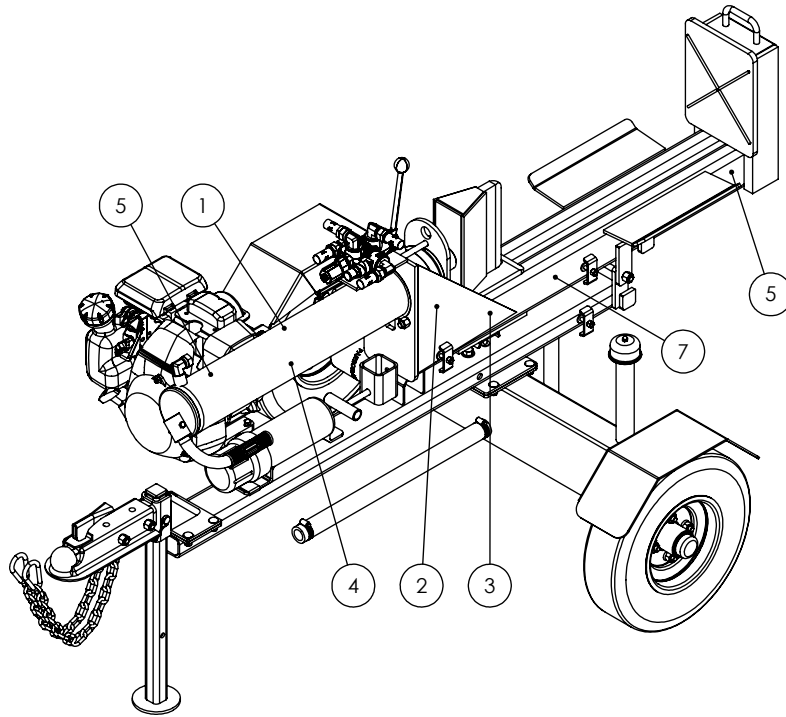
Hydraulic Schematic



Decal Breakdown

### TWO PANEL HORIZONTAL-VERTICAL LOG SPLITTER DECAL BREAKDOWN

ITEM	PART NO.	DESCRIPTION	QTY
1	Z94119	CAUTION - Read Manual	1
2	Z94123	Keep Feet Clear	1
3	Z94067	Clear Guide	2
4	Z94056	Wallenstein	2
5	Z94019	Made in Canada	3
6	Z94124	Keep Hands Clear	1
7	Z94147	WARNING - Lock Stabilizer	2
8	Z94142	99 dB Sound Level	1



# Two Panel Horizontal-Vertical Trailer Splitter Decals

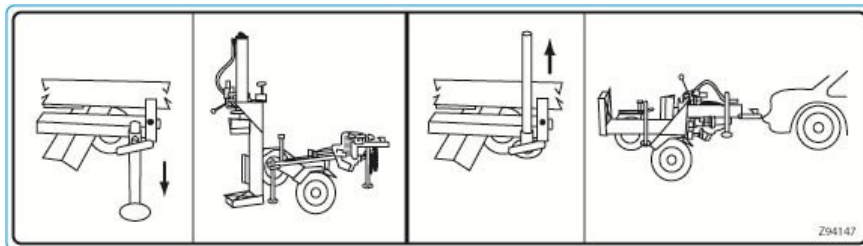
Z94142



Z94067



Z94147



Z94019



Z94056



Z94119



Z94123



Z94124





**WALLENSTEIN Products Manufactured by:**

**EMB MFG Inc.**

4144 Boomer Line  
St. Clements, Ontario  
Canada N0B 2M0  
Phone: 1-877-695-9283  
Fax: 519-699-4146  
[www.embmfg.com](http://www.embmfg.com)