



BX62S Chipper Parts Manual

Prior to S/N 162S00845



Foreword

EMB Mfg. has prepared this parts manual to assist customers in ordering quality OEM replacement parts.

Proper and regular service and replacing old, worn or broken parts with the correct Wallenstein parts are essential to prolonging the life of your Wallenstein product. Please refer to this manual before ordering any replacement parts.

All information contained in this parts manual is based on the latest product specification available at the time of printing this manual. If your product differs from the specifications contained within this manual contact EMB Mfg. for information.

EMB reserves the right to alter specifications on their products at any time.

Reproduction of this parts manual of any kind is prohibited without prior written permission from EMB Mfg.

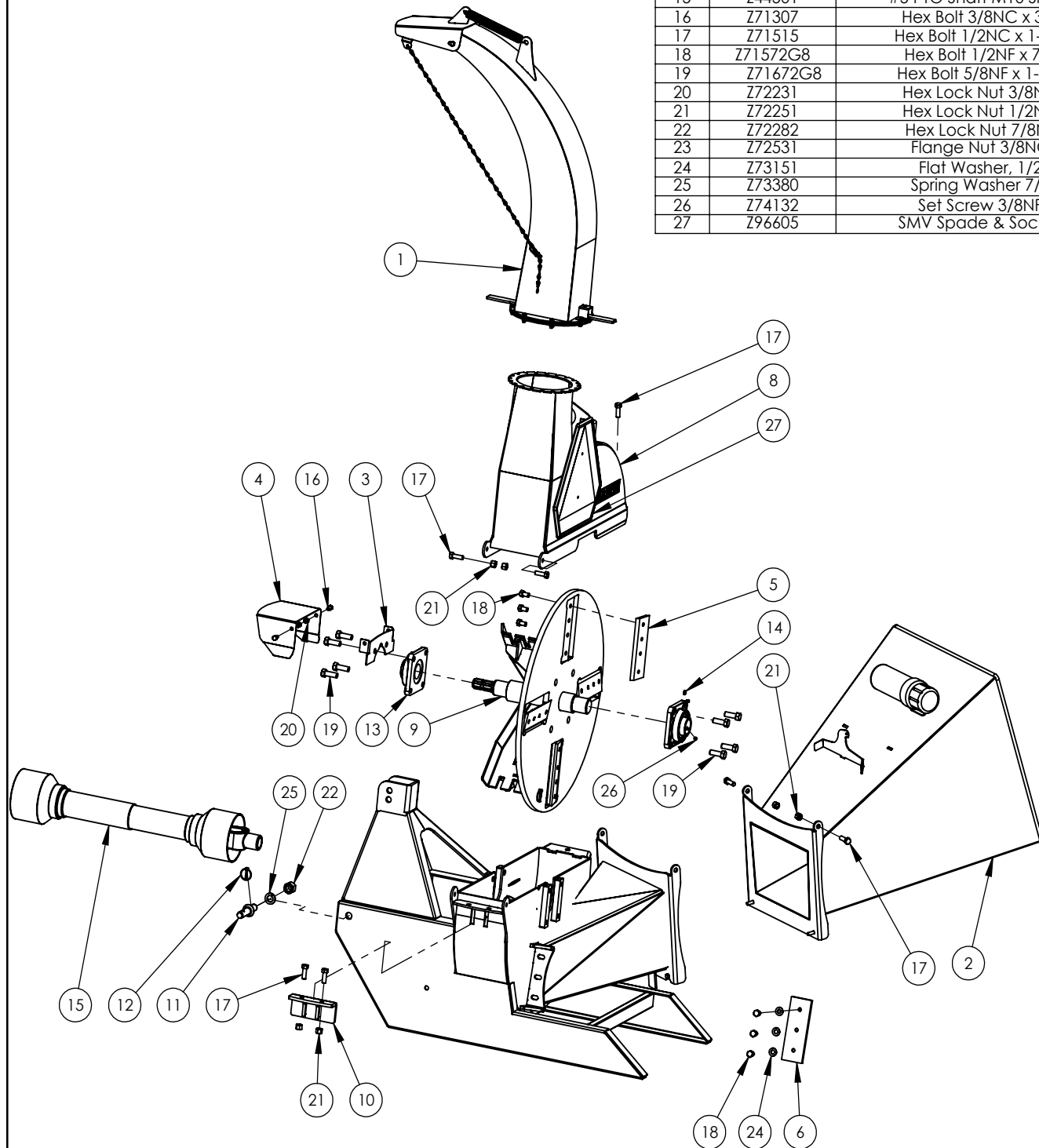
Table of Contents

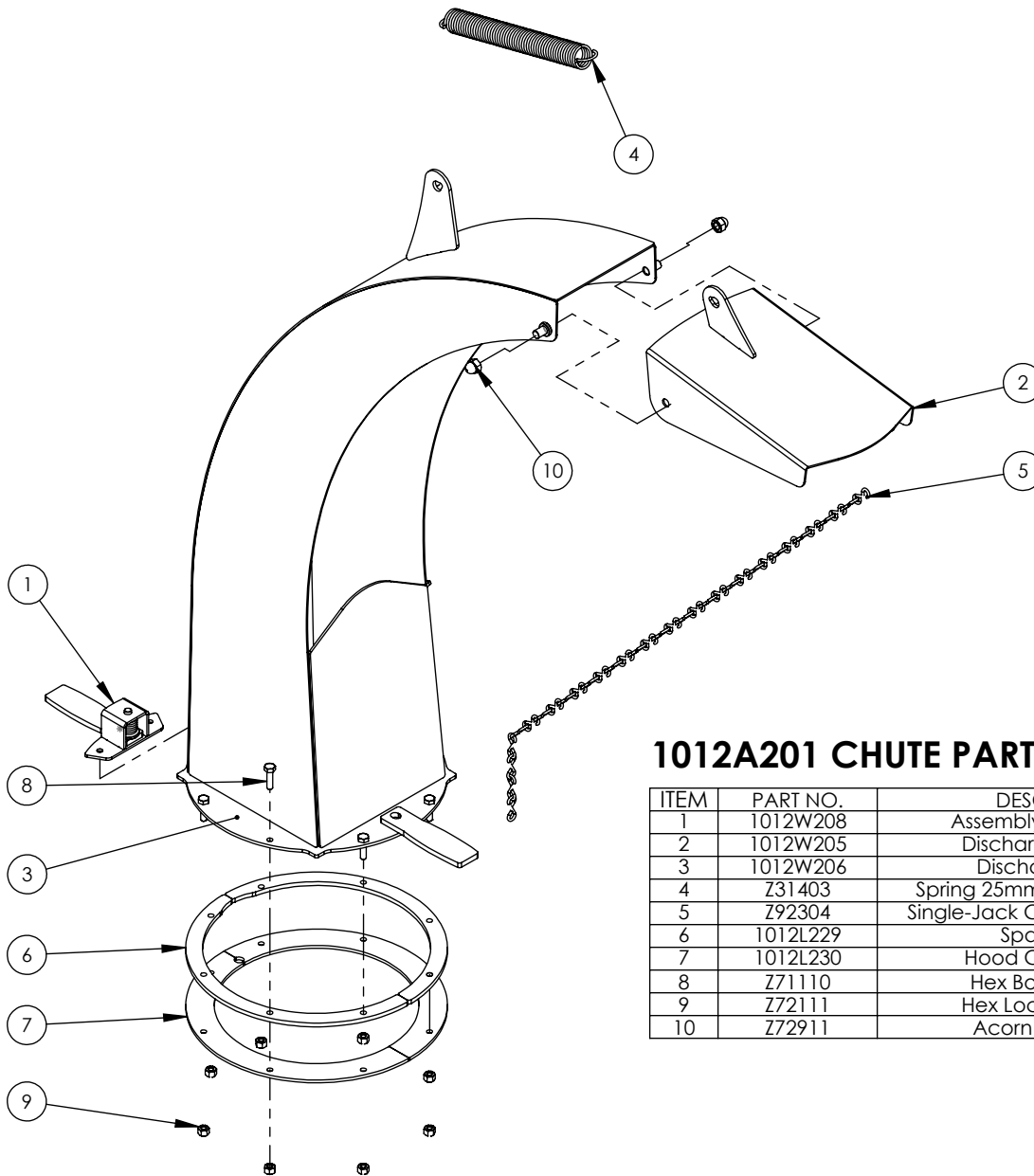
Main Parts Breakdown	5
Discharge Chute Parts Breakdown	6
Hopper Parts Breakdown	7
Binacchi PTO Parts Breakdown	8
Decal Breakdown	10

This Page is Intentionally Blank

BX62 MAIN PARTS BREAKDOWN

ITEM	PART NO.	DESCRIPTION	QTY
1	1012A201	Assembly, Discharge Chute	1
2	1012A202	Self-feed Hopper	1
3	1012L206	PTO Cover Mounting Bracket	1
4	1012L212	PTO Cover	1
5	1012M203	Knife, BX62 Rotor	4
6	1012M204	Knife, BX62 Ledger	1
7	1012W201	Housing, Bottom Rotor	1
8	1012W202	Housing, Upper Rotor	1
9	1012W203	Rotor, Four Blade PTO Drive	1
10	1012W204	Twig Breaker	1
11	Z11431	Implement Pin 7/8x5-1/2	2
12	Z12110	Latch Pin 3/16	3
13	Z25203	4-Bolt Bearing 2" Bore	2
14	Z29202	Grease Zerk 1/4NF	2
15	Z44501	#5 PTO Shaft M10 Shear	1
16	Z71307	Hex Bolt 3/8NC x 3/4	2
17	Z71515	Hex Bolt 1/2NC x 1-1/2	7
18	Z71572G8	Hex Bolt 1/2NF x 7/8	19
19	Z71672G8	Hex Bolt 5/8NF x 1-3/4 Gr8	8
20	Z72231	Hex Lock Nut 3/8NC	2
21	Z72251	Hex Lock Nut 1/2NC	6
22	Z72282	Hex Lock Nut 7/8NF	2
23	Z72531	Flange Nut 3/8NC	2
24	Z73151	Flat Washer, 1/2	3
25	Z73380	Spring Washer 7/8	2
26	Z74132	Set Screw 3/8NF	4
27	Z96605	SMV Spade & Socket	1



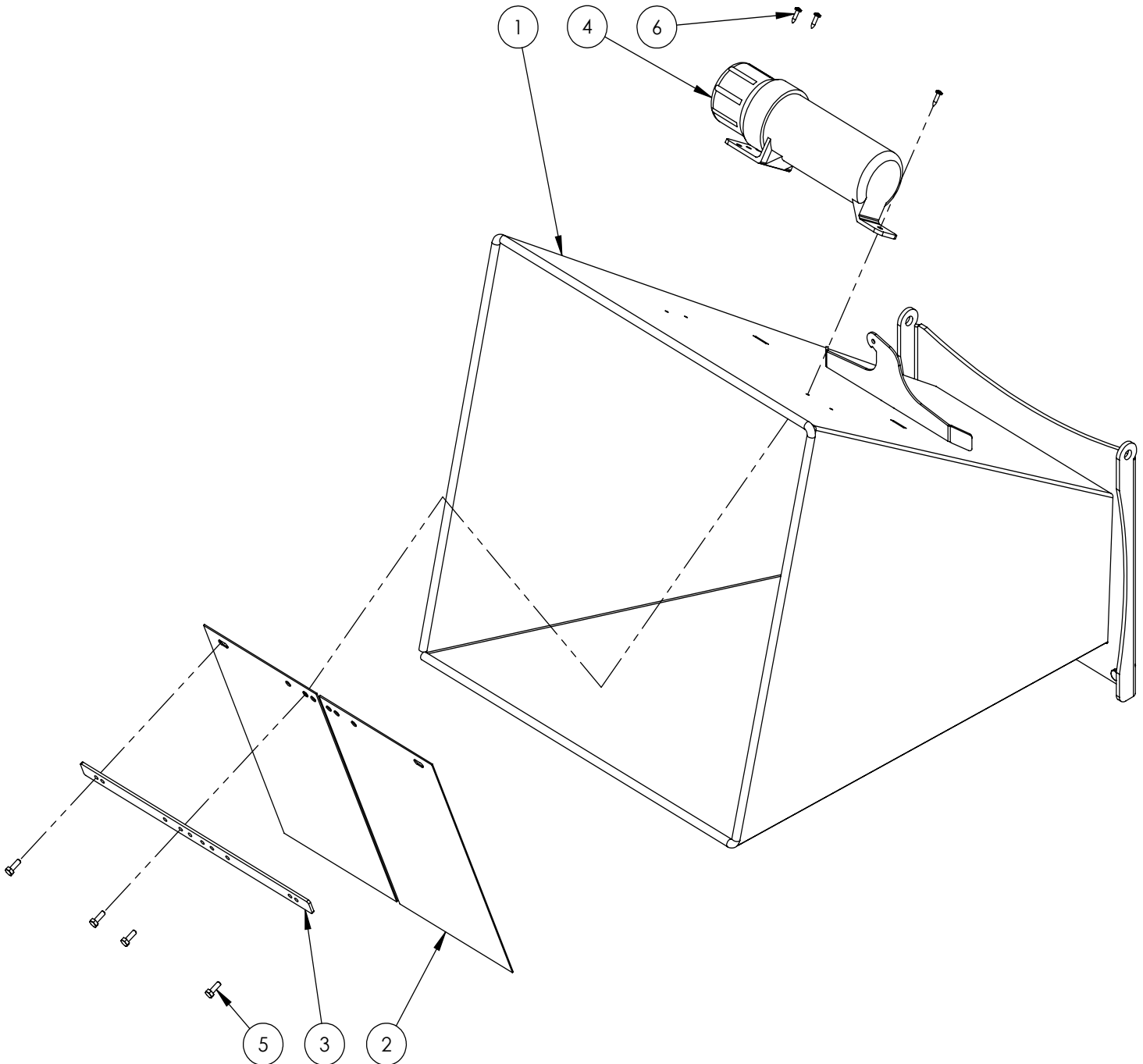


1012A201 CHUTE PARTS BREAKDOWN

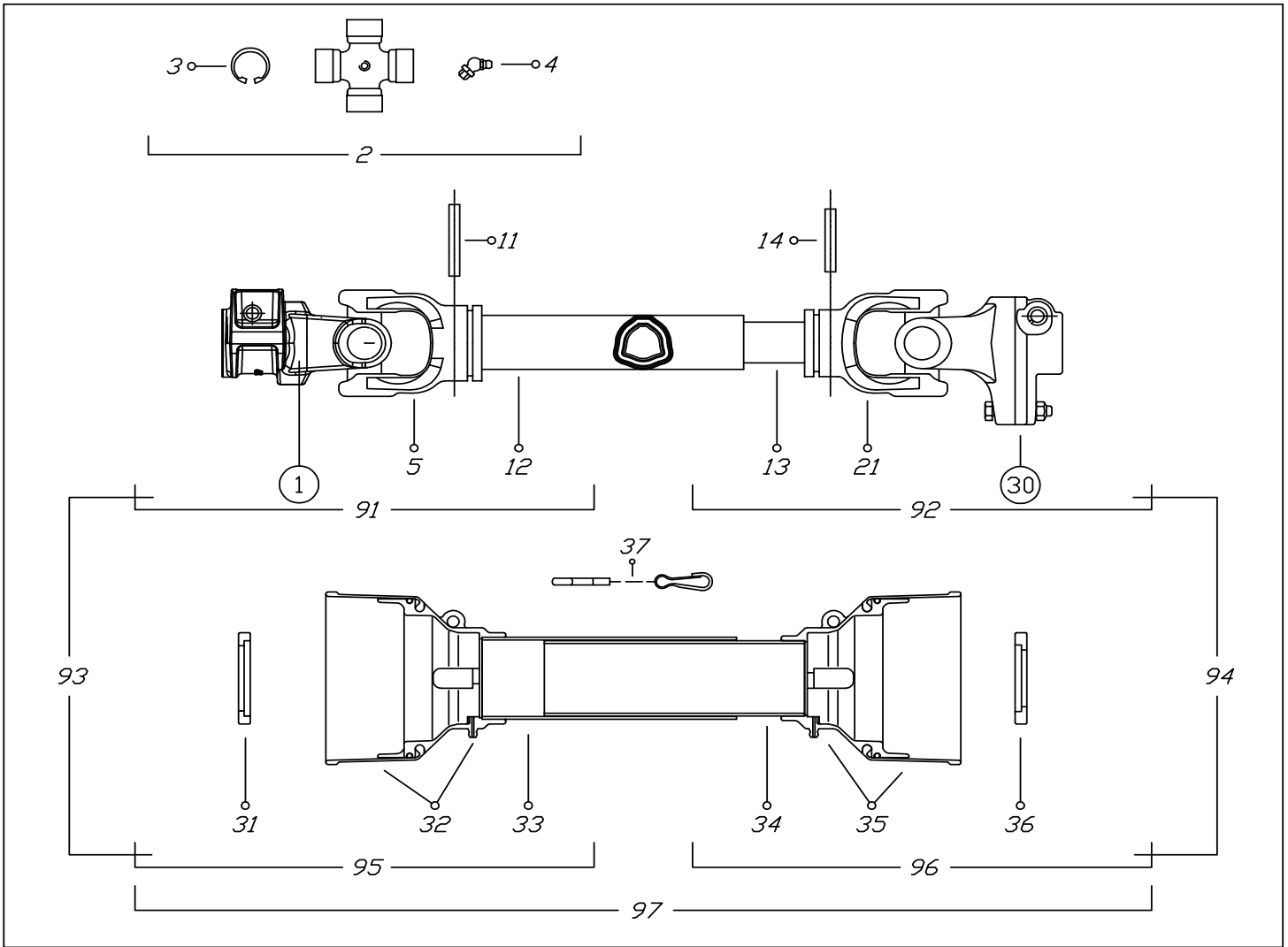
ITEM	PART NO.	DESCRIPTION	QTY
1	1012W208	Assembly, Hood Latch	1
2	1012W205	Discharge Deflector	1
3	1012W206	Discharge Chute	1
4	Z31403	Spring 25mm x 178mm Heavy	1
5	Z92304	Single-Jack Chain #10 [35 links]	3.2
6	1012L229	Spacer Ring	2
7	1012L230	Hood Capture Ring	2
8	Z71110	Hex Bolt 1/4NC x 1	8
9	Z72111	Hex Lock Nut 1/4NC	8
10	Z72911	Acorn Nut, 3/8NC	2

BX62S HOPPER PARTS BREAKDOWN

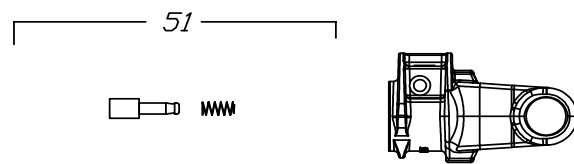
ITEM	PART NO.	DESCRIPTION	QTY
1	1012W207	Hopper, Self-Feed BX62	1
2	1011S103	Flap, Hopper	2
3	1012L251	Strap, Hopper Flap	1
4	Z96503	Manual Tube 3-1/2 Short	1
5	Z71107	Hex Bolt 1/4NC x 3/4	4
6	Z76712	Self-tapping Screw #10	3



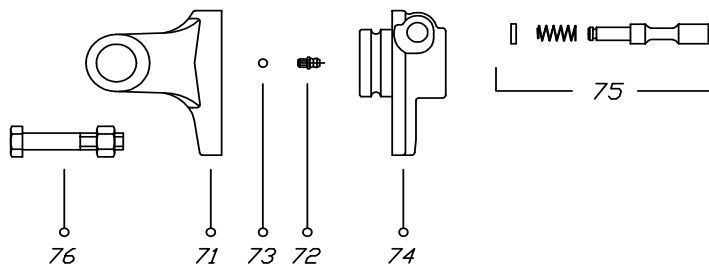
Binacchi PTO Parts Breakdown



1



30



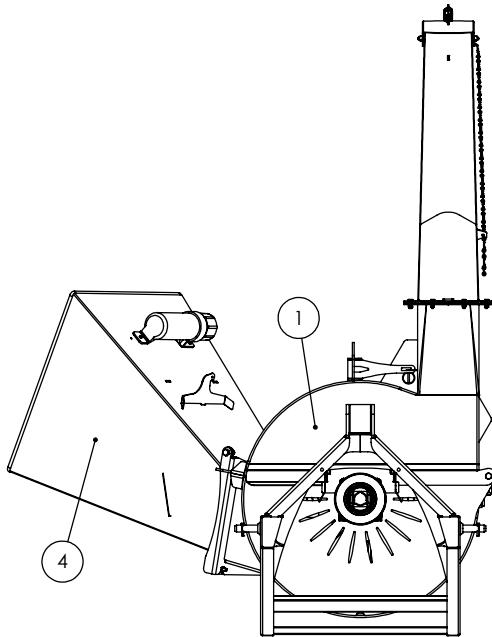
Binacchi PTO Parts List

BINACCHI PTO SPARE PARTS LIST : B5090E098002			
POS.	DESCRIPTION	Q.	PART #
01	YOKE	1	0800503
02	CROSS JOURNAL ASSY	2	08205
03	CIRCLIP	8	09802030
04	GREASE NIPPLE	2	09840081002
05	OUTER TUBE YOKE	1	08005021
11	FLEXIBLE PIN	1	098700870
12	CM. 100 CARDAN TUBE(*)	1	09881523100
13	CM. 100 CARDAN TUBE(*)	1	09881454100
14	FLEXIBLE PIN	1	098700865
21	INNER TUBE YOKE	1	08005011
30	SHEAR BOLT	1	08805A604633
31	O.BEARING	1	0265150007
32	O.BASIC CONE	1	0256050324
33	OUTER SAFETY TUBE	1	0988981B5090
34	INNER SAFETY TUBE	1	0988975B5090
35	I.BASIC CONE	1	0256050325
36	I.BEARING	1	0265150008
37	CHAIN	1	0252000001
51	COMPLETE PUSH BUTTTON	1	0986014047
71	YOKE FOR LB5	1	08896905
72	GREASE NIPPLE	1	0984010150
73	STEEL BALL	23	098680104
74	HUB	1	088965A60
75	PUSH PIN SET	1	0986014075
76	NUT AND BOLT M10 X 1.5 X 55 10.9	1	Z19407 (5 PACK)
91	OUTER HALF SHAFT	1	B509002
92	INNER HALF SHAFT	1	B509001098002
93	OUTER HALF SHAFT	1	B5090E2
94	INNER HALF SHAFT	1	B5090E1098002
95	OUTER HALF SAFETY GUARD	1	083E050902
96	INNER HALF SAFETY GUARD	1	083E050901
97	SAFETY GUARD	1	083E05090

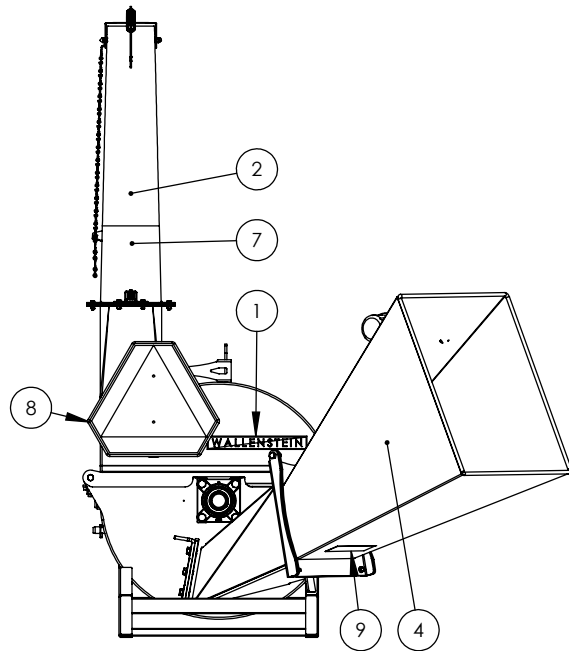
Note: Always check brand of PTO shaft when ordering PTO parts. For other brands then the Binacchi shafts shown above please call the factory @ 877-695-9283.

BX62S DECAL BREAKDOWN

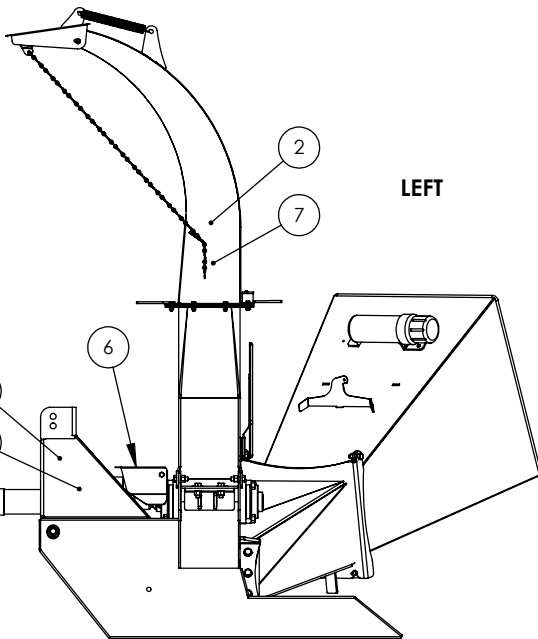
ITEM	PART NO.	DESCRIPTION	QTY
1	Z94056	WALLENSTEIN Decal	2
2	Z94019	1" Dia. Made In Canada	5
3	Z94011	BX62 Triangle Decal	2
4	Z94007	DANGER - Rotating Blades	3
5	Z94006	CAUTION - Read Manual	1
6	Z94009	DANGER - Rotating Driveline Hazard	1
7	Z94008	DANGER - Thrown Object Hazard	3
8	Z94605	SMV Spade	1
9	Z94602	Reflector	1



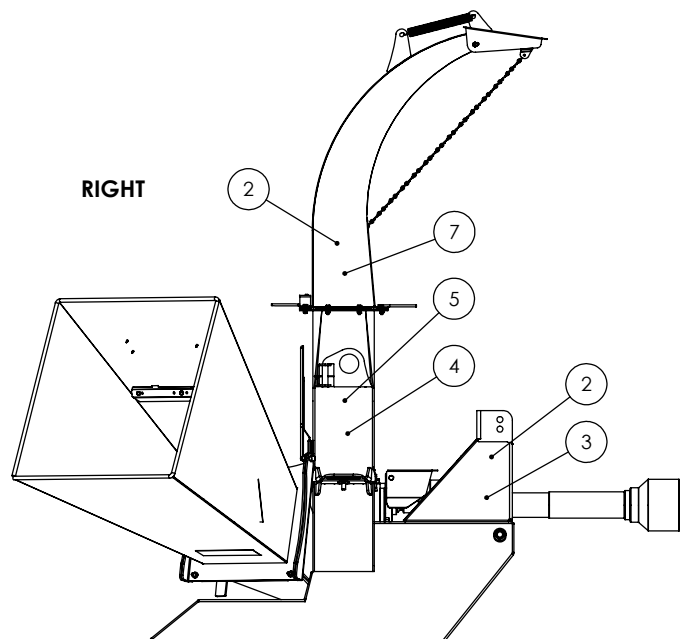
FRONT



BACK



LEFT



RIGHT

Decals BX62S

Z94056



Z94011



Z94602



Z94019



Z94006



Z94007



Z94605



Z94009



Z94008





WALLENSTEIN Products Manufactured by:

EMB MFG Inc.

4144 Boomer Line
St. Clements, Ontario
Canada N0B 2M0
Phone: 1-877-695-9283
Fax: 519-699-4146
www.embmfg.com