



## **BXMT3213 Chipper-Shredder Parts Manual**

**S/N 2E9US11189S040010 to S/N 2E9US11129S040017**



# Foreword

EMB Mfg. has prepared this parts manual to assist customers in ordering quality OEM replacement parts.

Proper and regular service and replacing old, worn or broken parts with the correct Wallenstein parts are essential to prolonging the life of your Wallenstein product. Please refer to this manual before ordering any replacement parts.

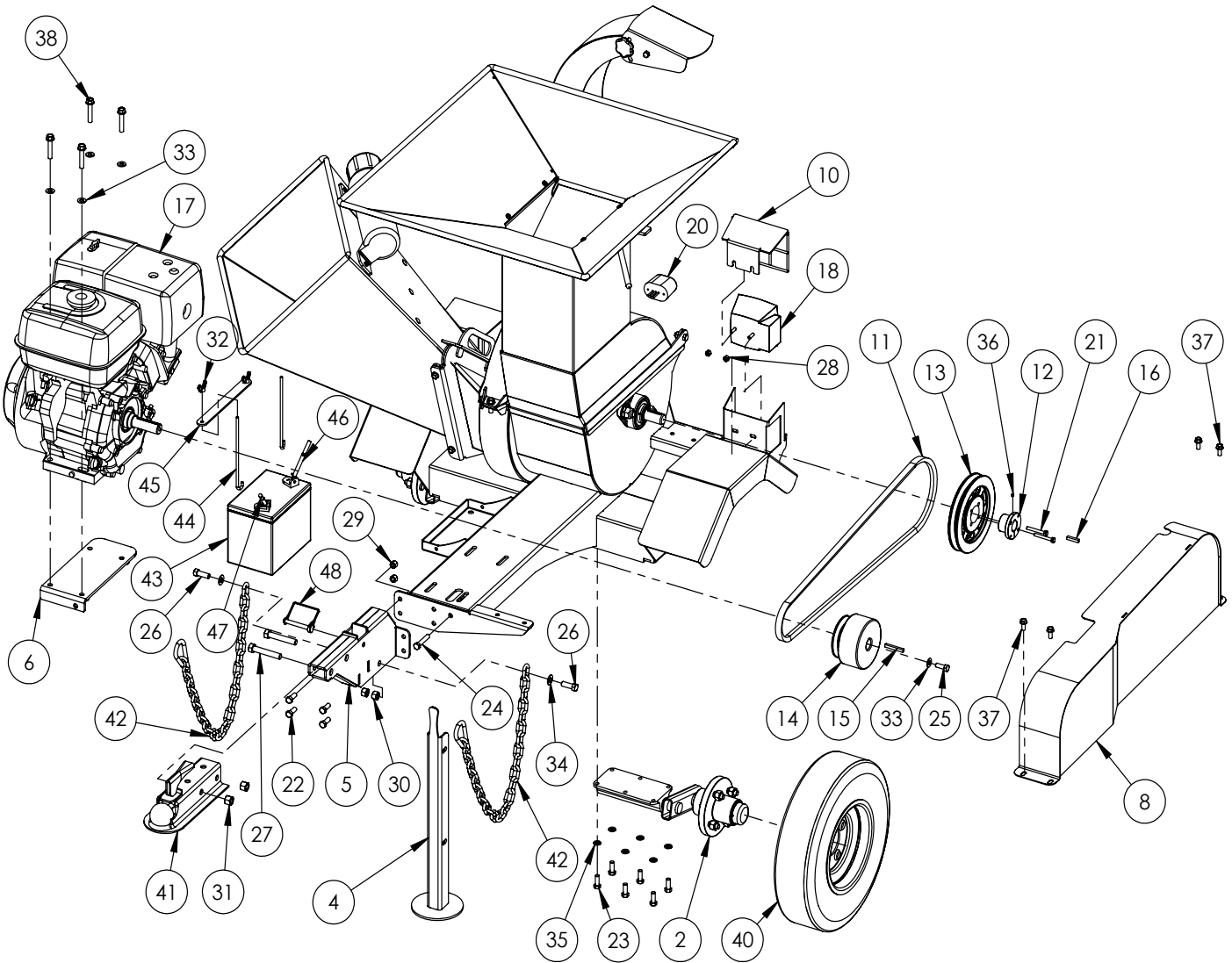
All information contained in this parts manual is based on the latest product specification available at the time of printing this manual. If your product differs from the specifications contained within this manual contact EMB Mfg. for information.

EMB reserves the right to alter specifications on their products at any time.

Reproduction of this parts manual of any kind is prohibited without prior written permission from EMB Mfg.

# Table of Contents

Main Parts	4
Rotor Housing	5
Rotor	6
Discharge Chute	7
Hub	8
Wiring Diagram	9
Decals	10



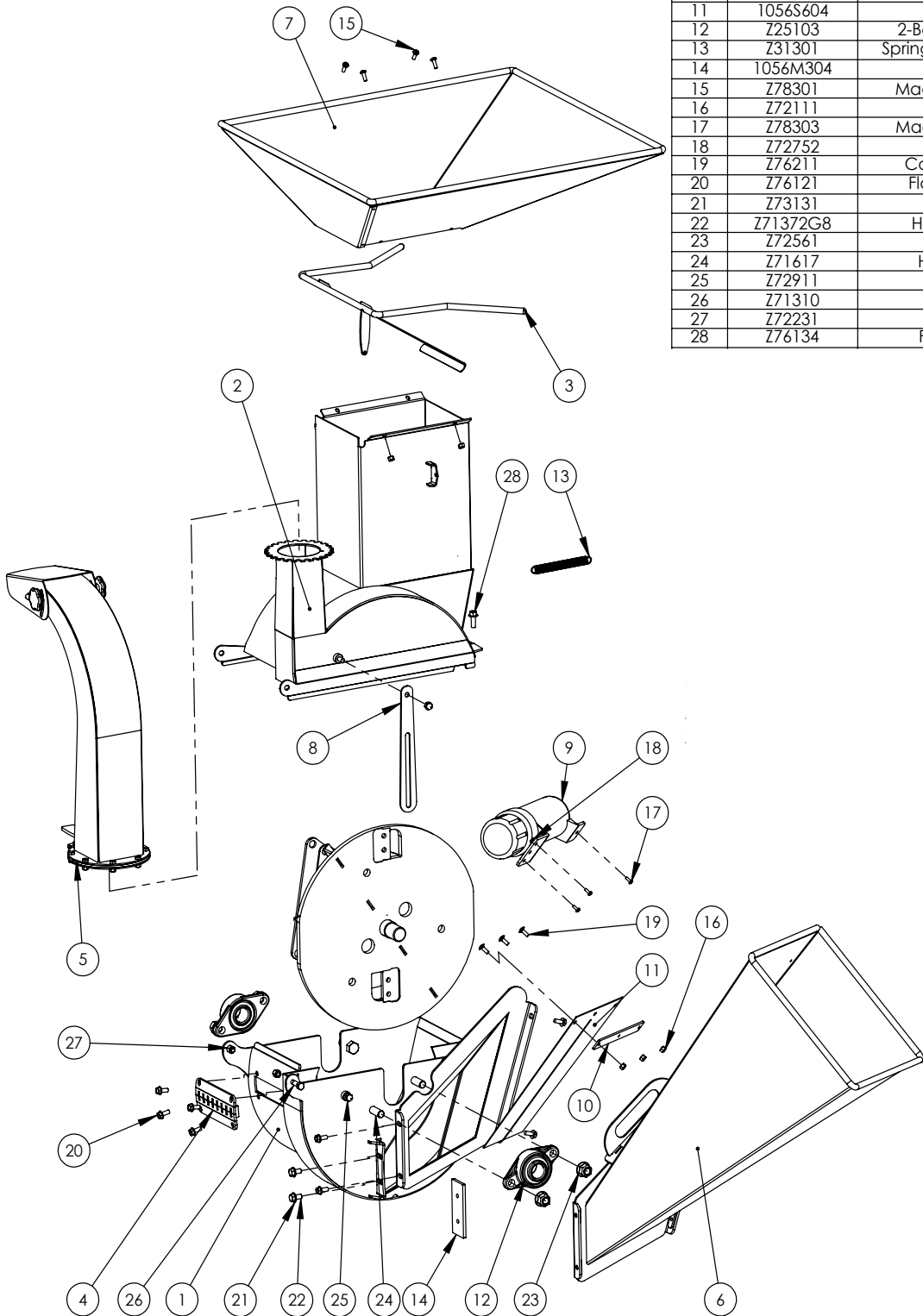
**BXMT3213 PARTS BREAKDOWN**

ITEM	PART NO.	DESCRIPTION	QTY
1	1056A602	Torflex with Hub, RH	1
2	1056A603	Torflex with Hub, LH	1
4	1056W402	Jack Stand	1
5	1056W601B	Main Spine	1
6	1056W611	Belt Tightener	1
8	1056W615	Shield	1
9	2054W403	Light Guard, RH	1
10	2054W404	Light Guard, LH	1
11	Z41160	Belt, "B" x 64	1
12	Z41510	"L" Bushing 1" Bore	1
13	Z41613	Sheave, 7.35P "L"	1
14	Z41803	Centrifugal Clutch, 3.9P	1
15	Z46531	Key 1/4 x 1/4 x 2	1
16	Z46534	Key 1/4 x 1/4 x 1-1/4	1
17	Z47146	GX390 13HP Engine	1
18	Z61106	Stop, Turn, Tail Light LH	1
19	Z61107	Stop, Turn, Tail Light RH	1
20	Z61301	License Lamp	1
21	Z71110	Hex Bolt 1/4NC x 1	2
22	Z71310	Hex Bolt 3/8NC x 1	4
23	Z71210	Hex Bolt 5/16NC x 1	12

ITEM	PART NO.	DESCRIPTION	QTY
24	Z71320	Hex Bolt 3/8NC x 2	1
25	Z71374	Hex Bolt 3/8NF x 1	1
26	Z71412	Hex Bolt 7/16NC x 1-1/4	2
27	Z71530	Hex Bolt 1/2NC x 3	2
28	Z72111	Hex Lock Nut 1/4NC	4
29	Z72231	Hex Lock Nut 3/8NC	4
30	Z72240	Hex Lock Nut, 7/16NC	2
31	Z72251	Hex Lock Nut 1/2NC	2
32	Z72921	Wing Nut 1/4NF	2
33	Z73131	Washer, 3/8	5
34	Z73140	Washer, 7/16	2
35	Z73330	Lock Washer 3/8	12
36	Z74102	Set Screw #10-24 x 1/4	1
37	Z76121	Flange Bolt 5/16NC x 3/4	4
38	Z76135	Flange Bolt, 3/8NC x 2	4
39	Z76712	Self-tapping Screw #10	5
40	Z91301	4.80-8 LRB SportTrail	2
41	Z91614	2" Hitch Coupler	1
42	Z92307	Safety Chain 1/4 x 3'	2
43	Z93201	250 CCA Battery	1
44	Z93202	J-Hook 1/4 x 7	2
45	Z93207	Hold-Down Strap, 1 x 8-1/2	1
46	Z93210	Battery Cable, Neg 25'	1
47	Z93212	Battery Cable, Pos 28'	1
48	Z12432	Snapper Pin 3/8 x 2-1/2	1
49	Z62101	25' Standard Trailer Harness	1

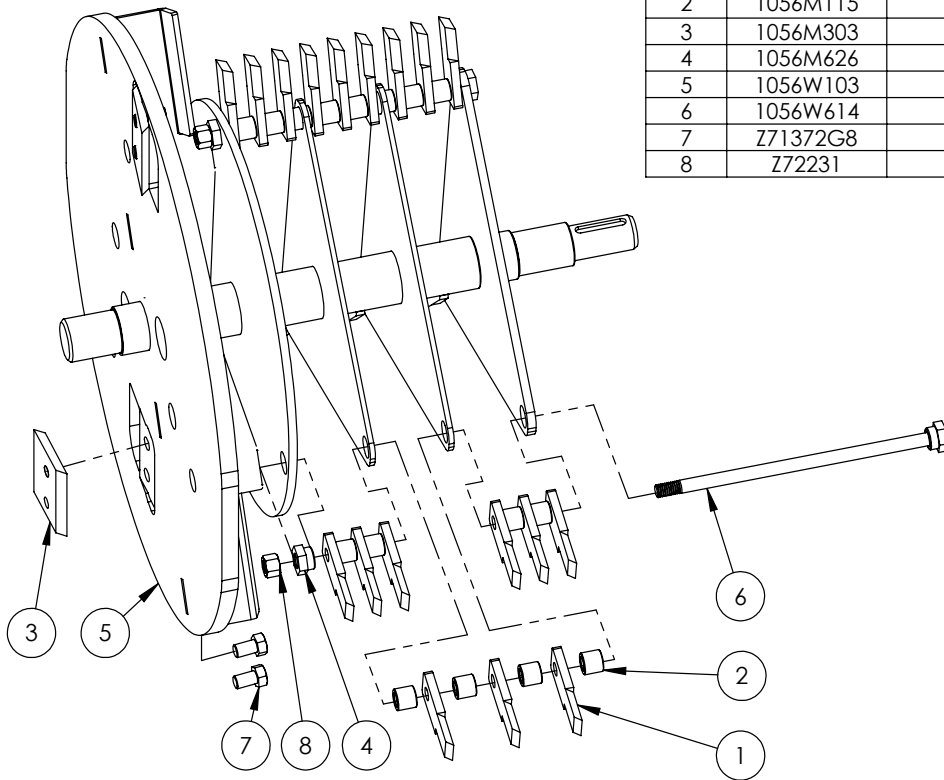
### BXMT 3209 & BXMT 3213 ROTOR HOUSING PARTS BREAKDOWN

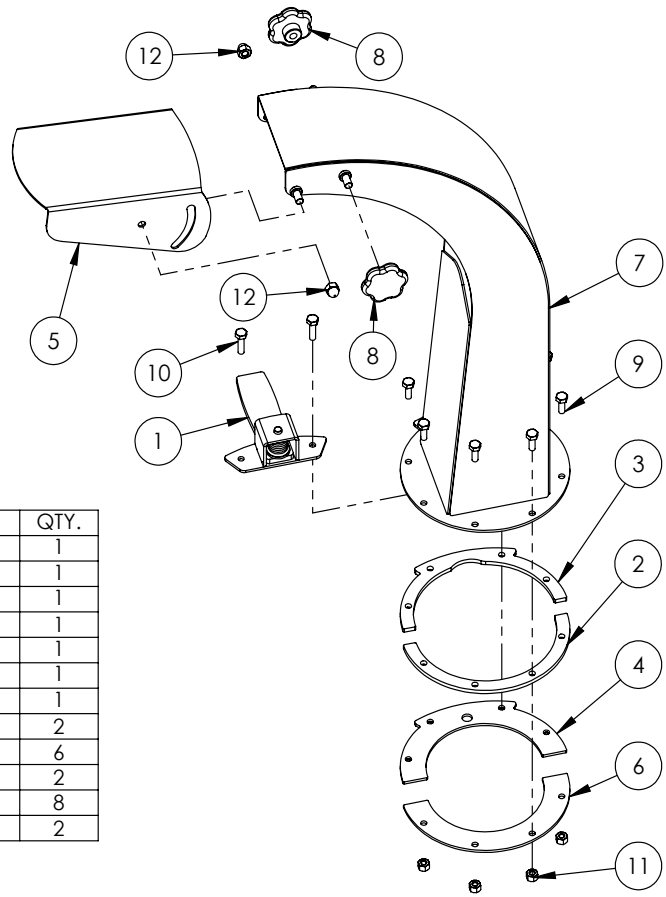
ITEM	PART NO.	DESCRIPTION	QTY
1	1056W101	Housing, Bottom Rotor	1
2	1056W102	Housing, Upper Rotor	1
3	1056W107	Shredder, Chute Flapper	1
4	1056W610	Concave	1
5	1056A301	Assembly, Discharge Chute	1
6	1018W107	Chipper Chute	1
7	1056W617	Hopper Shredder Top	1
8	1056L229	Positive Stop Plate	1
9	Z96503	Manual Tube 3-1/2 Short	1
10	1018L994	Chipper Chute Flap Clamp	1
11	1056S604	Flap, Hopper	1
12	Z25103	2-Bolt Flange Bearing, 1-1/4	2
13	Z31301	Spring 17mm x 140mm Medium	1
14	1056M304	Knife, 3" Ledger	1
15	Z78301	Machine Screw 1/4NC x 3/4	4
16	Z72111	Hex Lock Nut 1/4NC	7
17	Z78303	Machine Screw # 10NF x 1/2	3
18	Z72752	Machine Nut, # 10NF	3
19	Z76211	Carriage Bolt 1/4NC x 3/4	3
20	Z76121	Flange Bolt 5/16NC x 3/4	8
21	Z73131	Washer, 3/8	2
22	Z71372G8	Hex Bolt 3/8NF x 5/8 Gr8	2
23	Z72561	Flange Nut 5/8 NC	4
24	Z71617	Hex Bolt 5/8NC x 1-3/4	4
25	Z72911	Acorn Nut, 3/8NC	2
26	Z71310	Hex Bolt 3/8NC x 1	2
27	Z72231	Hex Lock Nut 3/8NC	2
28	Z76134	Flange Bolt, 3/8NC x 1	1



**BXM32 ROTOR PARTS BREAKDOWN**

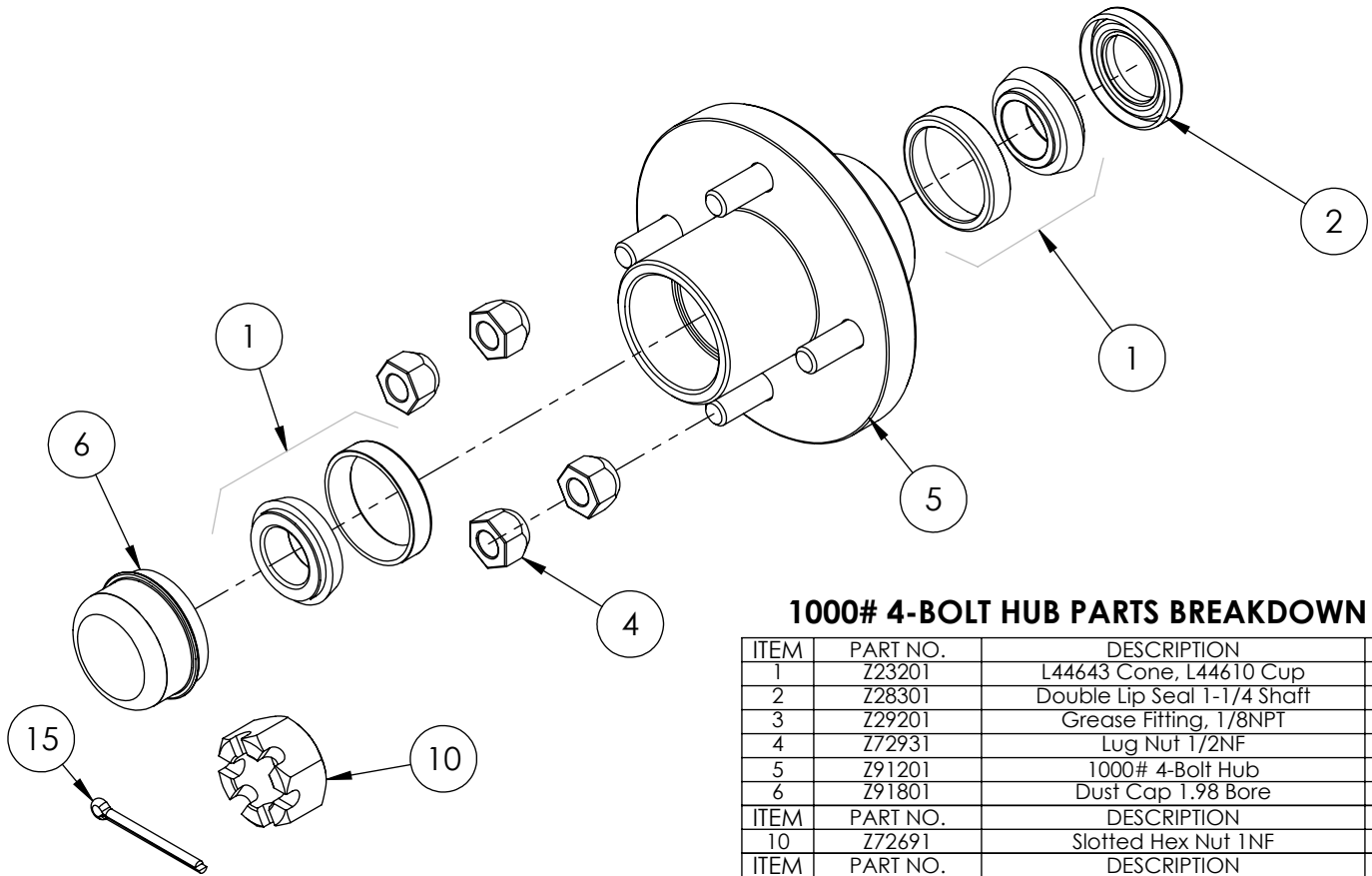
ITEM	PART NO.	Description	QTY.
1	1056M108	Knife,Shredder	27
2	1056M115	Spacer, Shredder .580	24
3	1056M303	Knife, 3" Rotor	2
4	1056M626	Retainer Rod Head	3
5	1056W103	Rotor	1
6	1056W614	Hammer Retainer Pin	3
7	Z71372G8	Hex Bolt, 3/8NF x 5/8 G8	4
8	Z72231	Hex Lock Nut 3/8NC	3





**1056A301 PARTS BREAKDOWN**

ITEM	PART NO.	Description	QTY.
1	1012W208	Assembly, Hood Latch	1
2	1056L327	Ring	1
3	1056L329	Plate, Spacer Ring	1
4	1056L330	Plate, Hood Capture	1
5	1056L333	Deflector, Discharge Chute	1
6	1056L334	Ring	1
7	1056W306	Discharge Chute	1
8	Z19313	Knob, 5/16NC Female Stud	2
9	Z71107	Hex Bolt 1/4NC x 3/4	6
10	Z71110	Hex Bolt 1/4NC x 1	2
11	Z72111	Hex Lock Nut 1/4NC	8
12	Z72914	Acorn Nut, 5/16NC	2



**1000# 4-BOLT HUB PARTS BREAKDOWN**

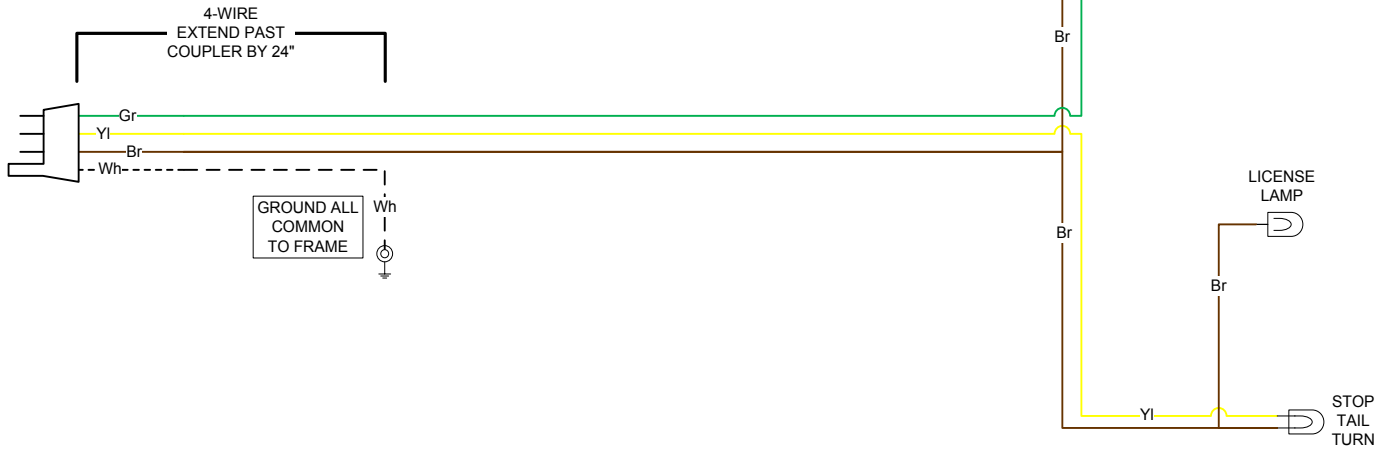
ITEM	PART NO.	DESCRIPTION	QTY
1	Z23201	L44643 Cone, L44610 Cup	2
2	Z28301	Double Lip Seal 1-1/4 Shaft	1
3	Z29201	Grease Fitting, 1/8NPT	1
4	Z72931	Lug Nut 1/2NF	4
5	Z91201	1000# 4-Bolt Hub	1
6	Z91801	Dust Cap 1.98 Bore	1
ITEM	PART NO.	DESCRIPTION	QTY
10	Z72691	Slotted Hex Nut 1NF	1
ITEM	PART NO.	DESCRIPTION	QTY
15	Z12322	Cotter Pin 3/16 X 2	1



# BXMT3213 WIRING

KEY	
Bl	- BLUE
Br	- BROWN
Gr	- GREEN
Rd	- RED
Yl	- YELLOW
Bk	- BLACK
Wh	- WHITE

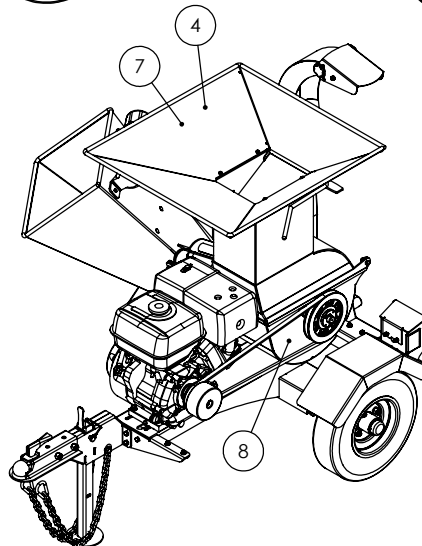
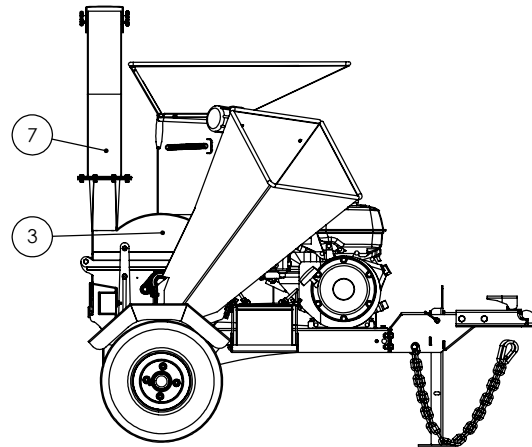
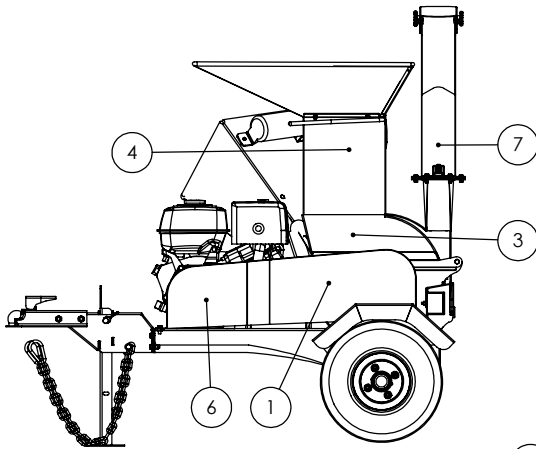
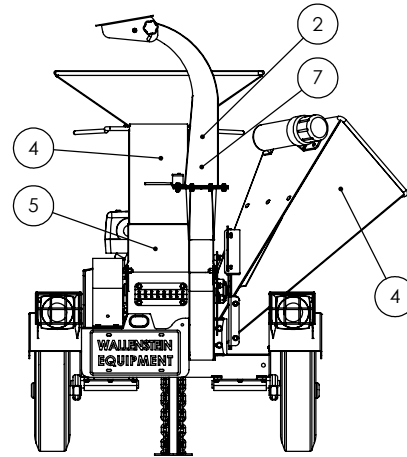
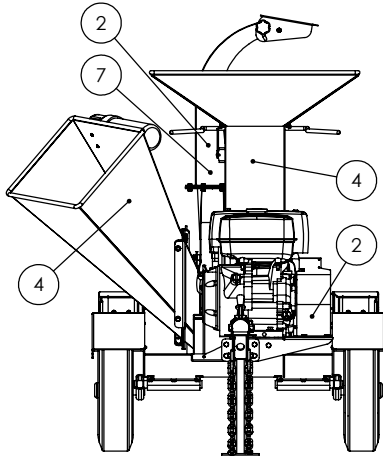
RIGHT SIDE



LEFT SIDE

### BXMT3213 DECAL BREAKDOWN

ITEM	PART NO.	DESCRIPTION	QTY
1	Z94056	WALLENSTEIN Decal	1
2	Z94019	1" Dia. Made In Canada	3
3	Z94063	BXMT3213 Decal	2
4	Z94007	DANGER - Rotating Blades	6
5	Z94006	CAUTION - Read Manual	1
6	Z94012	WARNING - Rotating Part Hazard	1
7	Z94008	DANGER - Thrown Object Hazard	5
8	Z94013	DANGER - Missing Guard	1



# Decals BMXT3213

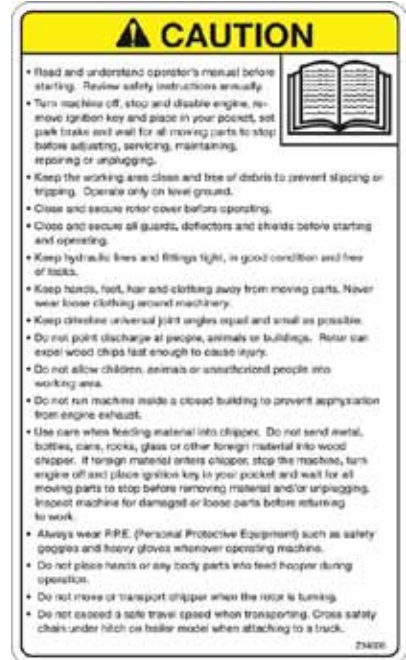
Z94056



Z94063



Z94006



Z94019



Z94007



Z94013



Z94012



Z94008





**WALLENSTEIN Products Manufactured by:**

**EMB MFG Inc.**

4144 Boomer Line  
St. Clements, Ontario  
Canada N0B 2M0  
Phone: 1-877-695-9283  
Fax: 519-699-4146  
[www.embmfg.com](http://www.embmfg.com)