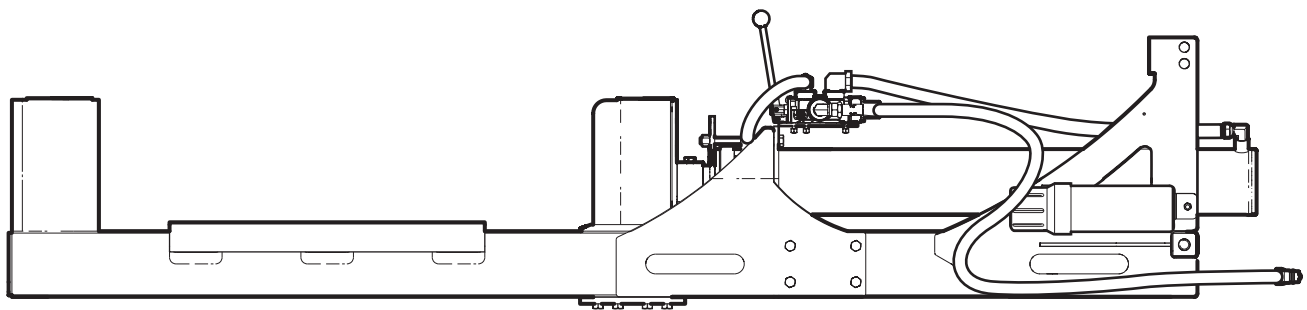


# PARTS MANUAL

---

Serial Number 400001 & up

## WX320 / WX320C 3PH LOG SPLITTER



## Foreword

This Wallenstein parts manual is prepared to assist customers in ordering quality OEM replacement parts.

Regular maintenance combined with replacing old, worn or broken parts with the correct OEM parts is essential in prolonging the life of your Wallenstein product. Refer to this manual to identify replacement parts.

To order parts, contact your Wallenstein dealer or distributor. Have the product model and serial number handy.

If your dealer is no longer available, please go to our website: <http://wallensteinequipment.com> and click on the [Dealer Locator](#) to find the nearest dealer.

All information contained in this parts manual is current as per the revision date at the bottom of the page. Wallenstein reserves the right to change product specifications at any time without notice.

If your product specifications differ from those contained in this manual, contact Wallenstein for current information.

Reproduction of information in this parts manual is prohibited without prior written permission from Wallenstein Equipment Inc.

Wallenstein Equipment Inc. • © 2019

## WARNING!

Refer to the operators manual for safe operation and maintenance.

Maintenance should be performed by trained personnel only.

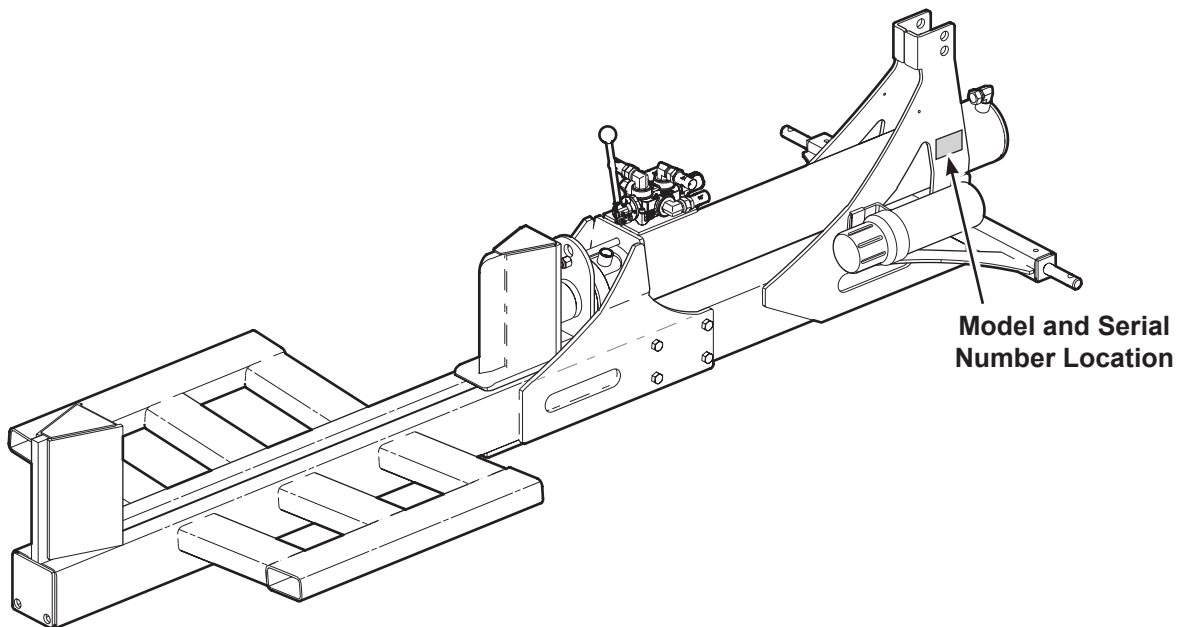
## Serial Number Location

Always provide the model and serial number of your Wallenstein product when ordering parts or requesting service or other information. This information is found on the product information plate as shown below.

Record your product information here for future reference.

Model \_\_\_\_\_

Serial Number \_\_\_\_\_

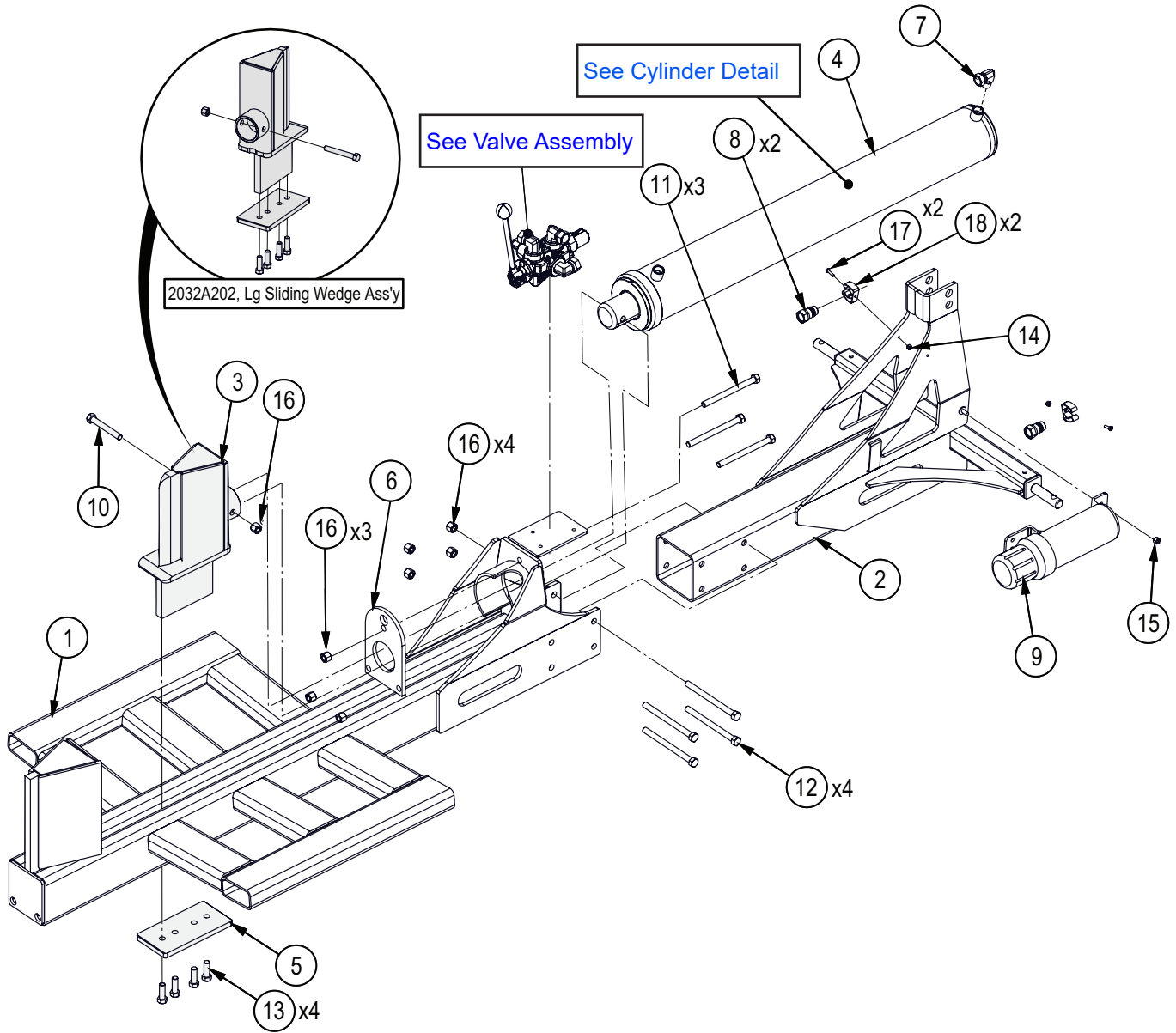


[www.wallensteinequipment.com](http://www.wallensteinequipment.com)

## Contents

<b>Main Parts</b> .....	<b>4</b>
<b>Valve Assembly – WX320</b> .....	<b>5</b>
<b>Valve Assembly – WX320C</b> .....	<b>5</b>
<b>Valve Service Kit</b> .....	<b>6</b>
<b>Cylinder Detail</b> .....	<b>6</b>
<b>Hydraulic Circuit</b> .....	<b>7</b>
<b>Decal Layout</b> .....	<b>7</b>
<b>Accessories</b> .....	<b>8</b>
<b>Common Bolt Torque Values</b> .....	<b>9</b>
<b>Hydraulic Fitting Torque Values</b> .....	<b>10</b>

Main Parts



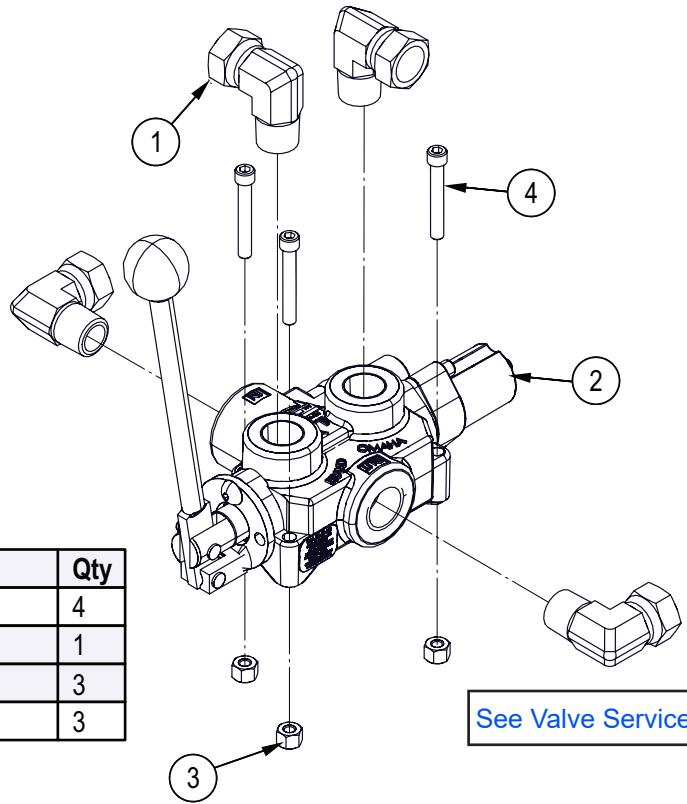
Item No.	Part No.	Description	Qty
1	2012W212	WX320	1
2	2012W204	3pt WX320	1
3	2032W203	Wedge, Large Sliding	1
4	2032C201	Cylinder, 4-1/2 x 36 x 2-1/2	1
5	2014S414	Plate, Sliding Wedge Capture	1
6	2032S213	Plate, Cylinder Retaining	1
7	Z51331	Elbow 90, MP x FPX 0808	1
8	Z51926	Quick Coupler, FP08 x M ISO 7241-1	2
9	Z96503	Manual Tube, 3-1/2" Short	1
10	Z71537	Hex Bolt, 1/2NC x 3-3/4"	1

Item No.	Part No.	Description	Qty
11	Z71560	Hex Bolt, 1/2NC x 6"	3
12	Z71565	Hex Bolt, 1/2NC x 6-1/2"	4
13	Z71576G8	Hex Bolt, 1/2NF x 1-1/2" G8	1
14	Z72203	Hex Lock Nut, 10NC	2
15	Z72221	Hex Lock Nut, 5/16NC	1
16	Z72251	Hex Lock Nut, 1/2NC	8
17	Z78305	Machine Screw, 10NC x 3/4"	2
18	Z19907	Gripper Clip, 3/4" x 1-1/8" Nylon-Coated	2

**Valve Assembly – WX320**

Open Center Valve Assembly P/N Z56209

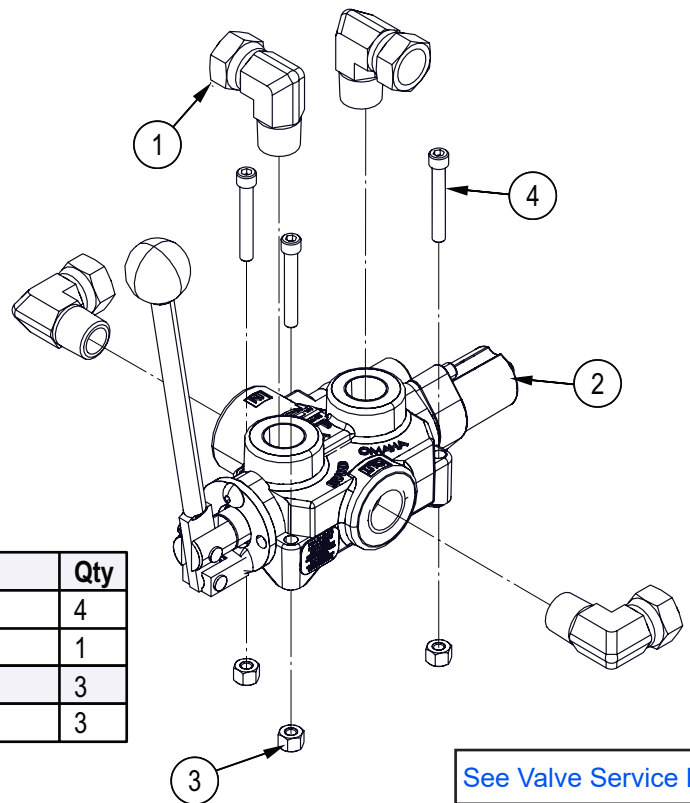
Item No.	Part No.	Description	Qty
1	Z51331	Elbow 90 MP x FPX 0808	4
2	LS304T4J	Spool, Open Center Valve	1
3	Z72211	Hex Lock Nut, 1/4NC	3
4	Z75114	SHCS, 1/4NC x 1-3/4"	3



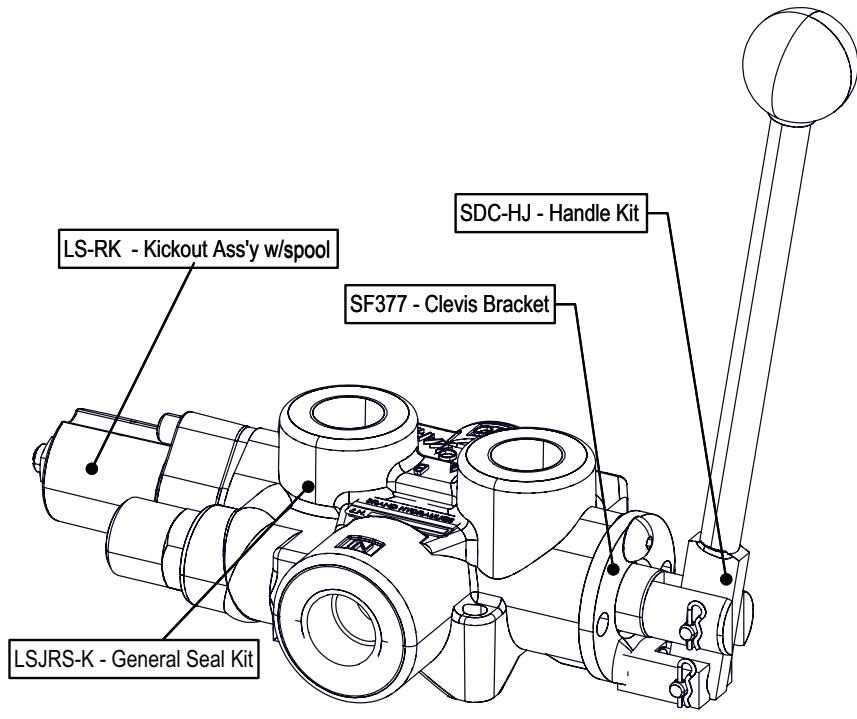
**Valve Assembly – WX320C**

Closed Center Valve Assembly P/N Z56210

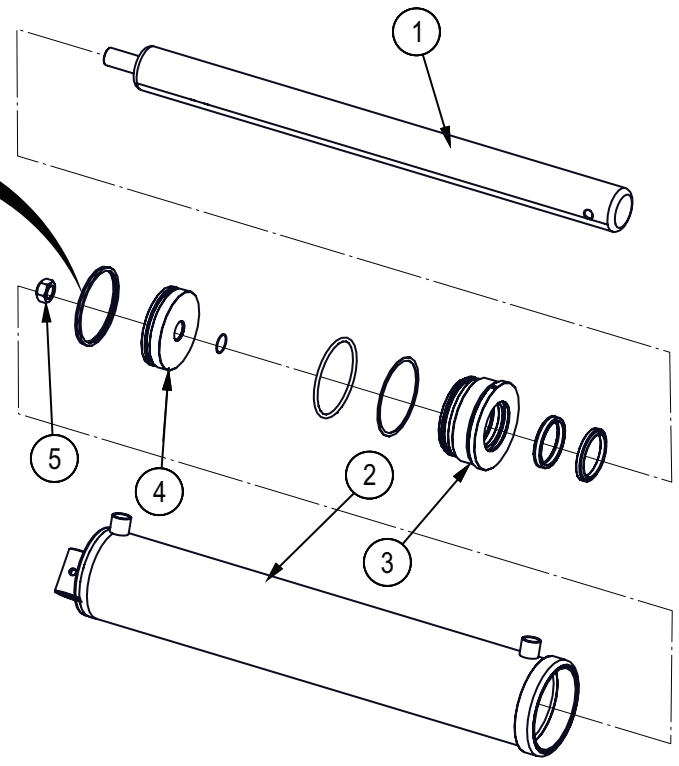
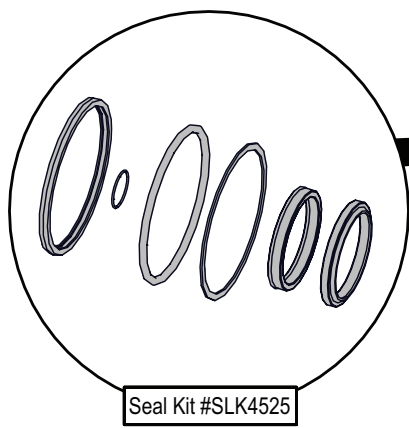
Item No.	Part No.	Description	Qty
1	Z51331	Elbow 90 MP x FPX 0808	4
2	LS304C4J	Spool, Closed Center Valve	1
3	Z72211	Hex Lock Nut, 1/4NC	3
4	Z75114	SHCS, 1/4NC x 1-3/4"	3



**Valve Service Kit**

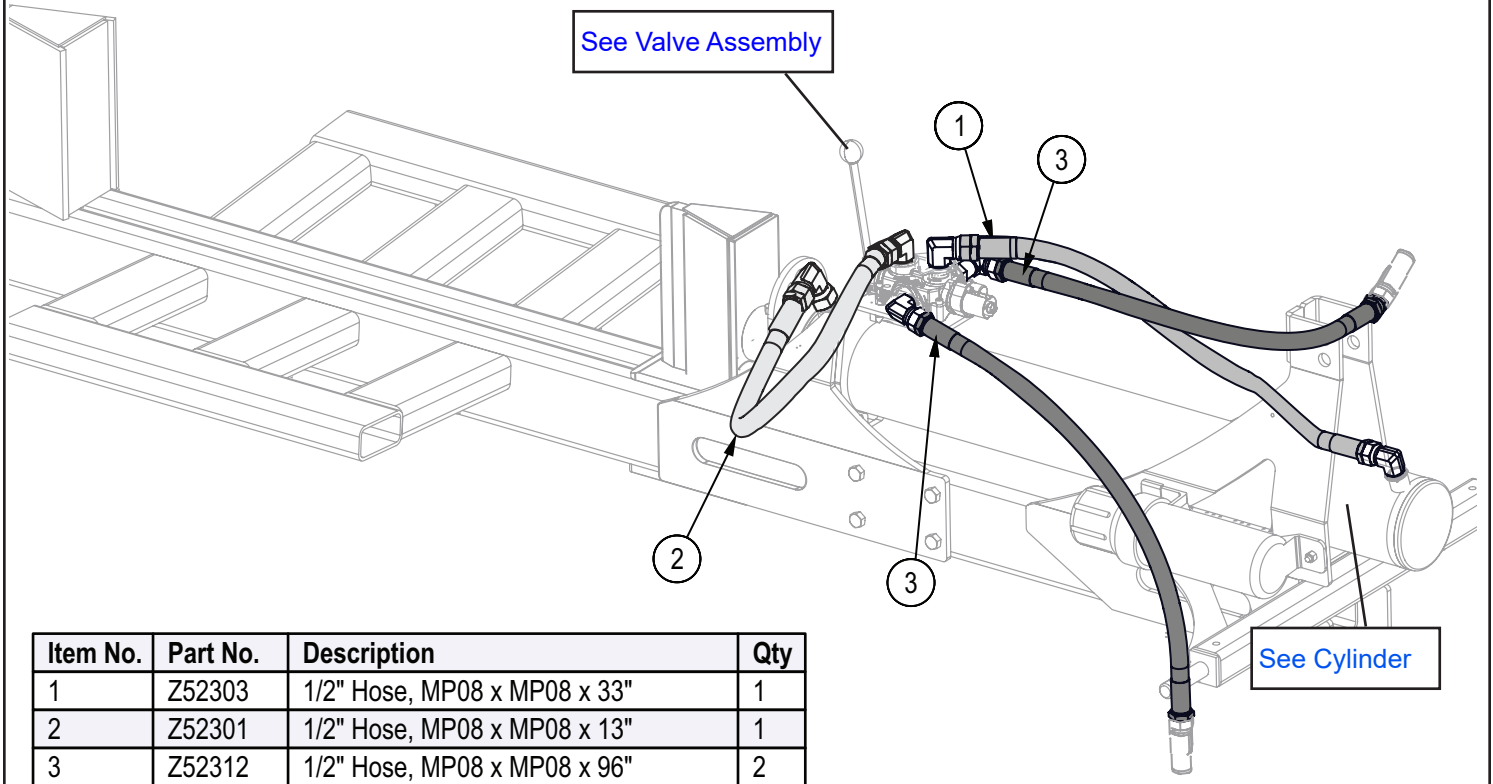


**Cylinder Detail**



Item No.	Part No.	Description	Qty
1	2032C2013	Rod, 2-1/2 x 1	1
2	2032C2011	Barrel 4-1/2"	1
3	G450-250S	Gland, 4-1/2" x 2-1/2"	1
4	P100-450SP	Piston, 4-1/2" Bore	1
5	Z72276	Hex Top-lock Nut, 3/4NF	1

**Hydraulic Circuit**



Item No.	Part No.	Description	Qty
1	Z52303	1/2" Hose, MP08 x MP08 x 33"	1
2	Z52301	1/2" Hose, MP08 x MP08 x 13"	1
3	Z52312	1/2" Hose, MP08 x MP08 x 96"	2

**Decal Layout**

**IMPORTANT!** If parts are replaced that have safety signs on them, new signs must be applied. Safety signs must always be replaced if they become damaged, are removed, or become illegible.

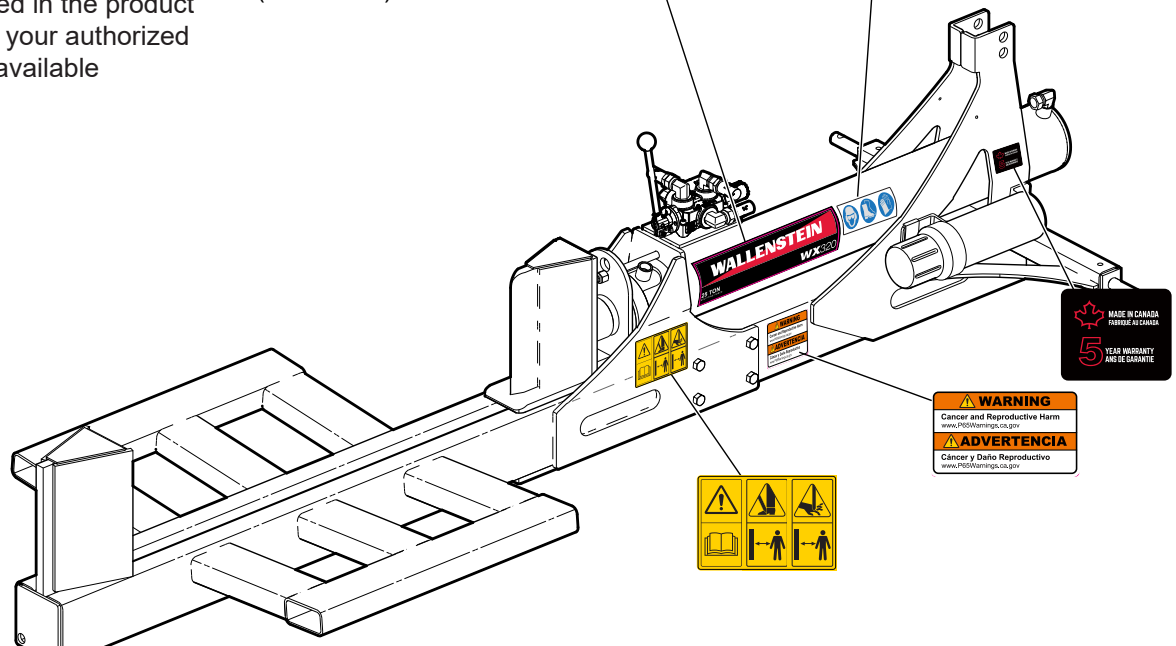
Safety signs are included in the product decal kit available from your authorized dealer. Decals are not available separately.



(Both sides)



(Both sides)

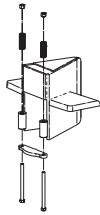


**WARNING**  
Cancer and Reproductive Harm  
www.P65Warnings.ca.gov  
**ADVERTENCIA**  
Cáncer y Daño Reproductivo  
www.P65Warnings.ca.gov

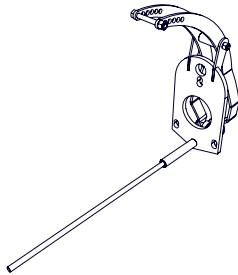
MADE IN CANADA  
PRODUCE AL CANADA  
**5** YEAR WARRANTY  
ANS DE GARANTIE

**Accessories**

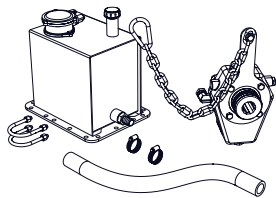
Call your dealer for pricing and availability

**4-Way Wedge – P/N W4130**

Boost your productivity and make quick work out of logs by splitting four pieces at once. This is an ideal way to save time.

**Splitter Stroke Limiter – P/N W4213**

Manually set your return stroke. Great for short pieces, saves time and gets your splitting job done even faster!

**Hydraulic Pump Kit – P/N W4180**

Provides hydraulic power for tractors without available auxiliary power.




## Common Bolt Torque Values

### Checking Bolt Torque

The tables shown give correct torque values for various bolts and capscrews. Tighten all bolts to the torque values specified in the table, unless indicated otherwise. Check tightness of bolts periodically.

**IMPORTANT!** If replacing hardware, use fasteners of the same grade.

**IMPORTANT!** Torque figures indicated in the table are for non-greased or non-oiled threads. Do not grease or oil threads unless indicated otherwise. When using a thread locker, increase torque values by 5%.

 **NOTE:** Bolt grades are identified by their head markings.

### Imperial Bolt Torque Specifications

Bolt Diameter	Torque Value					
	SAE Gr. 2		SAE Gr. 5		SAE Gr. 8	
	lbf•ft	N•m	lbf•ft	N•m	lbf•ft	N•m
1/4"	6	8	9	12	12	17
5/16"	10	13	19	25	27	36
3/8"	20	27	33	45	45	63
7/16"	30	41	53	72	75	100
1/2"	45	61	80	110	115	155
9/16"	60	95	115	155	165	220
5/8"	95	128	160	215	220	305
3/4"	165	225	290	390	400	540
7/8"	170	230	420	570	650	880
1"	225	345	630	850	970	1320



SAE Gr. 2



SAE Gr. 5



SAE Gr. 8

### Metric Bolt Torque Specifications

Bolt Diameter	Torque Value			
	Gr. 8.8		Gr. 10.9	
	lbf•ft	N•m	lbf•ft	N•m
M3	0.4	0.5	1.3	1.8
M4	2.2	3	3.3	4.5
M6	7	10	11	15
M8	18	25	26	35
M10	37	50	52	70
M12	66	90	92	125
M14	83	112	116	158
M16	166	225	229	310
M20	321	435	450	610
M30	1,103	1 495	1,550	2 100



8.8



10.9

## Hydraulic Fitting Torque Values

### Tightening Flare Type Tube Fittings

1. Check flare and flare seat for defects that might cause leakage.
2. Align tube with fitting before tightening.
3. Hand-tighten swivel nut until snug.
4. To prevent twisting the tube, use two wrenches. Place one wrench on the connector body and tighten the swivel nut with the second. Torque to values shown.

If a torque wrench is not available, use the FFFT (Flats From Finger Tight) method.

Hydraulic Fitting Torque					
Tube Size OD	Hex Size Across Flats	Torque value		Flats From Finger Tight	
		lbf•ft	N•m	Flats	Turns
3/16	7/16	6	8	2	1/6
1/4	9/16	11–12	15–17	2	1/6
5/16	5/8	14–16	19–22	2	1/6
3/8	11/16	20–22	27–30	1-1/4	1/6
1/2	7/8	44–48	59–65	1	1/6
5/8	1	50–58	68–79	1	1/6
3/4	1-1/4	79–88	107–119	1	1/8
1	1-5/8	117–125	158–170	1	1/8

Values shown are for non-lubricated connections.