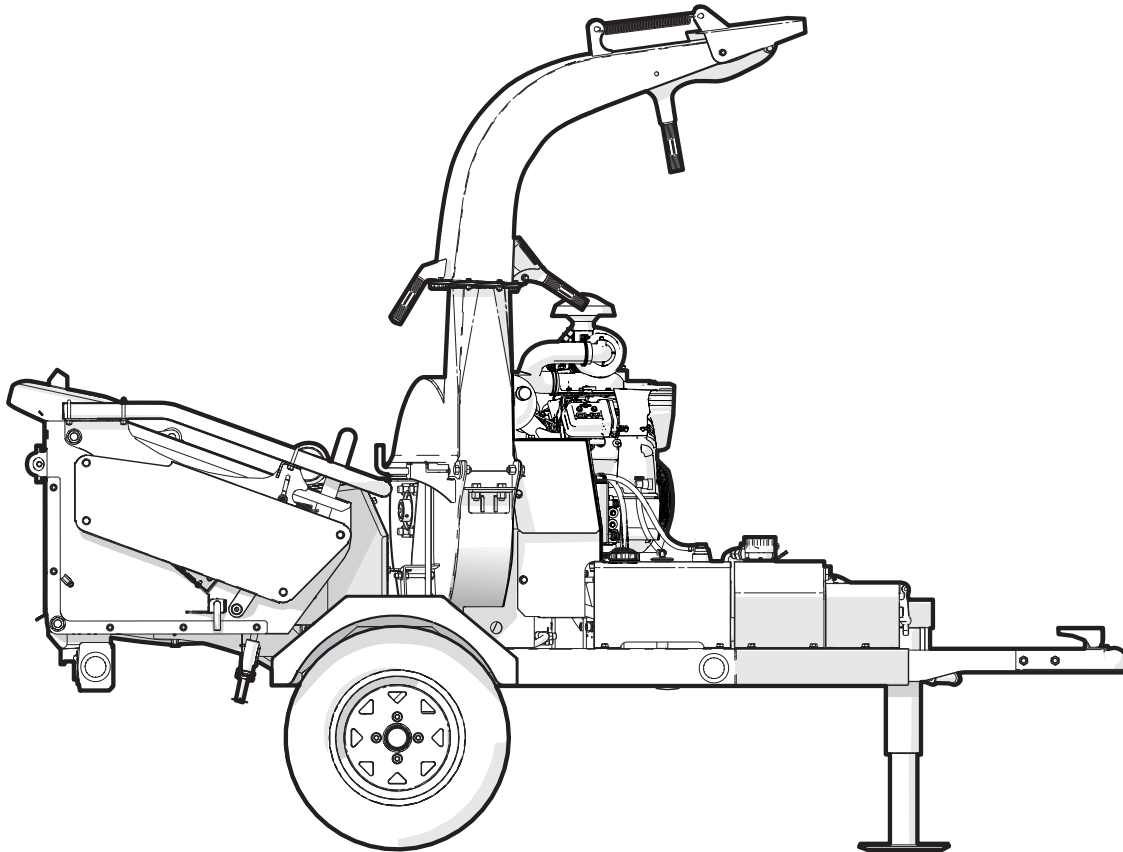


PARTS MANUAL

Serial Number 2E9US1110PS051113 & up

BXTR5224 **Trailer Wood Chipper**



Foreword

This Wallenstein parts manual is prepared to assist customers in ordering quality OEM replacement parts.

Regular maintenance combined with replacing old, worn or broken parts with the correct OEM parts is essential in prolonging the life of your Wallenstein product. Refer to this manual to identify replacement parts.

To order parts, contact your Wallenstein dealer or distributor. Have the product model and serial number handy.

If your dealer is no longer available, please go to WallensteinEquipment.com. At the bottom of the page, select Dealer Locator.

All information contained in this parts manual is current as per the revision date at the bottom of the page. Wallenstein reserves the right to change product specifications at any time without notice.

If your product specifications differ from those contained in this manual, contact Wallenstein for current information.

Reproduction of information in this parts manual is prohibited without prior written permission from Wallenstein Equipment Inc.

Wallenstein Equipment Inc. • © 2023

⚠ WARNING!

For safety, operation, and maintenance information, see the Operator’s Manual.

Maintenance should be performed by trained personnel only.

Serial Number Location

Always provide the model and serial number of your Wallenstein product when ordering parts or requesting service or other information. The serial number is on the product information plate as shown below.

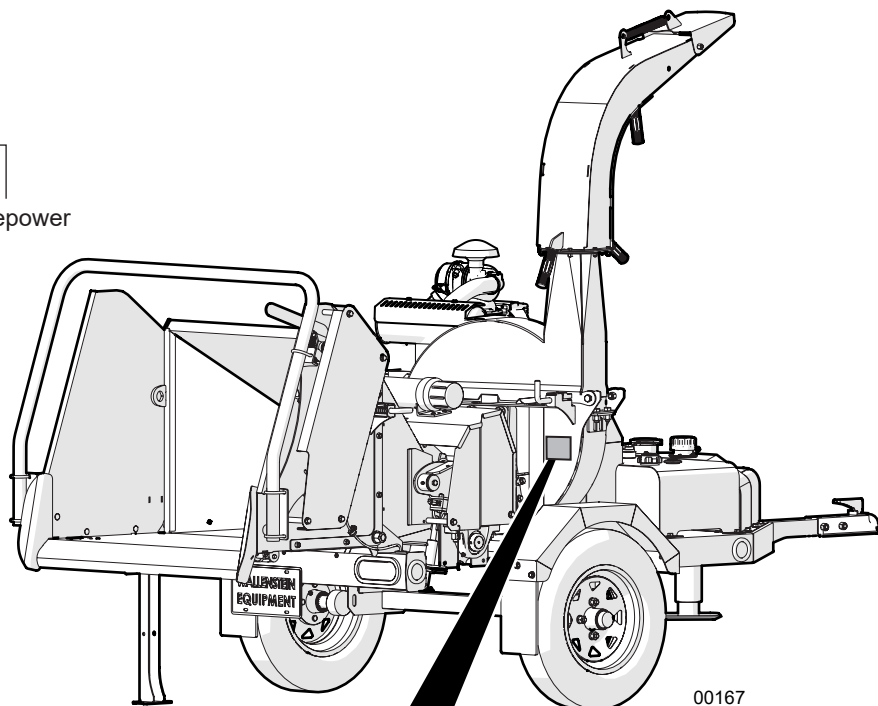
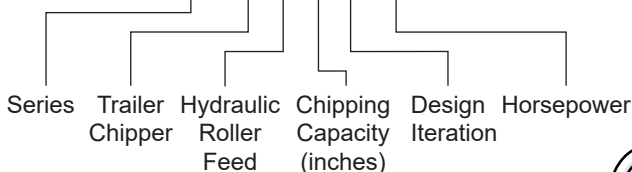
Record your product information here for future reference.

Model _____

Serial Number _____

Model Configuration

BXTR5224



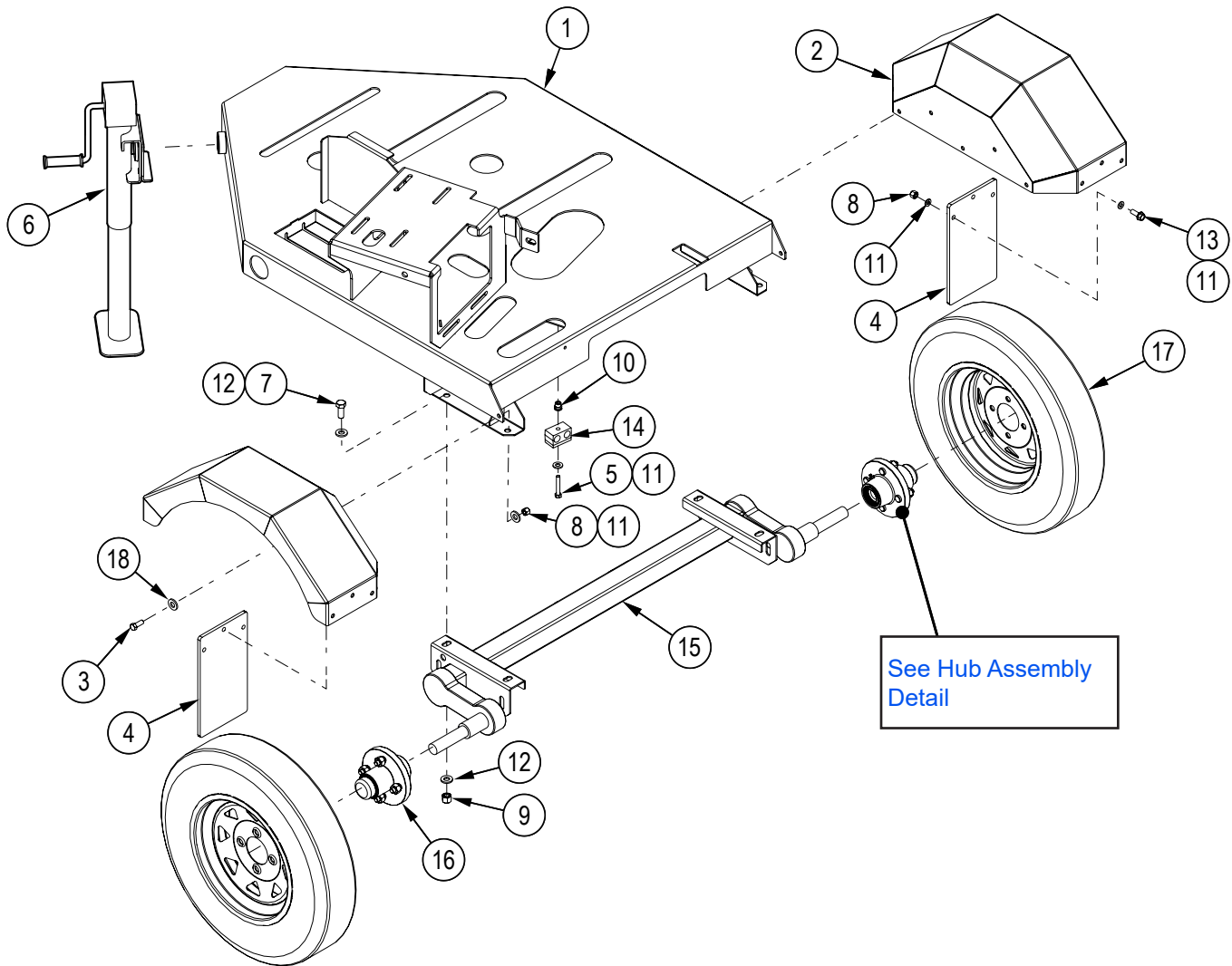
Model and Serial Number Location

WallensteinEquipment.com

Contents

Main Frame	4
Tongue Assembly	5
Main Frame Shields & Covers	6
Main Frame –Tanks & Battery	7
Fuel Tank	8
Hydraulic Tank	9
Engine & Hydraulic Pump	10
Blower Assembly	11
Discharge Chute	12
Rotor Assembly.....	13
Hopper – Bridge Guard	14
Upper Roller	15
Lower Roller	16
Top Link Detail.....	17
Feed Table	18
Feed Roller Control	19
Hub Assembly	20
Lights & Harness	21
Hydraulic Circuit	22
Decal Layout.....	23
Accessories	27
Bolt Torque	28
Hydraulic Fitting Torque.....	29
Wheel Lug Torque	29

Main Frame



See Hub Assembly Detail

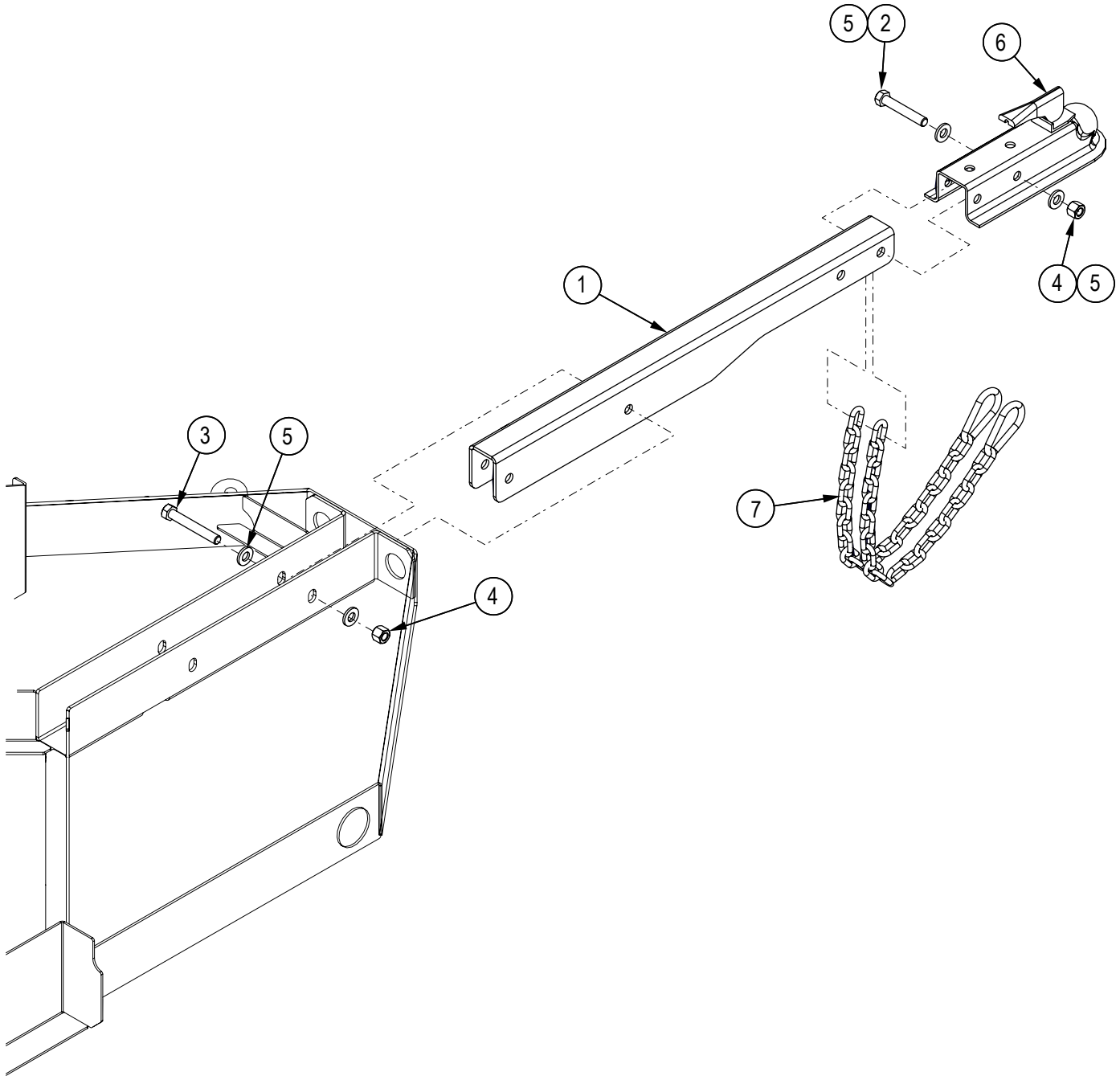
Item No.	Part No.	Description	Qty
1	1063W032	Main BXTR52 Trailer	1
2	1063W008	Fender	2
3	Z71310	Hex Bolt, 3/8NC x 1"	6
4	1063S005	Rain Flap	2
5	Z71220	Hex Bolt, 5/16NC x 2"	1
6	Z91516	Trailer Jack, Side Wind x 2000lbs - Swivel	1
7	Z71512	Hex Bolt, 1/2NC x 1-1/4"	4
8	Z72231	Hex Lock Nut, 3/8NC	12
9	Z72251	Hex Lock Nut, 1/2NC	4
10	Z72956	Rivet Nut, 5/16NC x 150	1
11	Z73131G8	SAE Washer, 3/8" Grade 8	25
12	Z73151	SAE Washer, 1/2"	4
13	Z91302	Hex Bolt, 3/8NC x 1-1/4"	6
14	Z79463	Double Hose Clamp, 11/16" OD	1
15	Z91133-1	#9 Full Flex Axle, 1800lbs x 48" HF Axle Only	1
16	Z91206	Idler Hub Assy, 1000lbs x 4on4" x 1-1/16"	2
17	Z91302	5.30-12 LRB SportTrail 4on4"	2

NOTE:

For parts or service information on Dexter axle, hub or brakes, refer to Dexter manual available for download at www.dexteraxle.com.

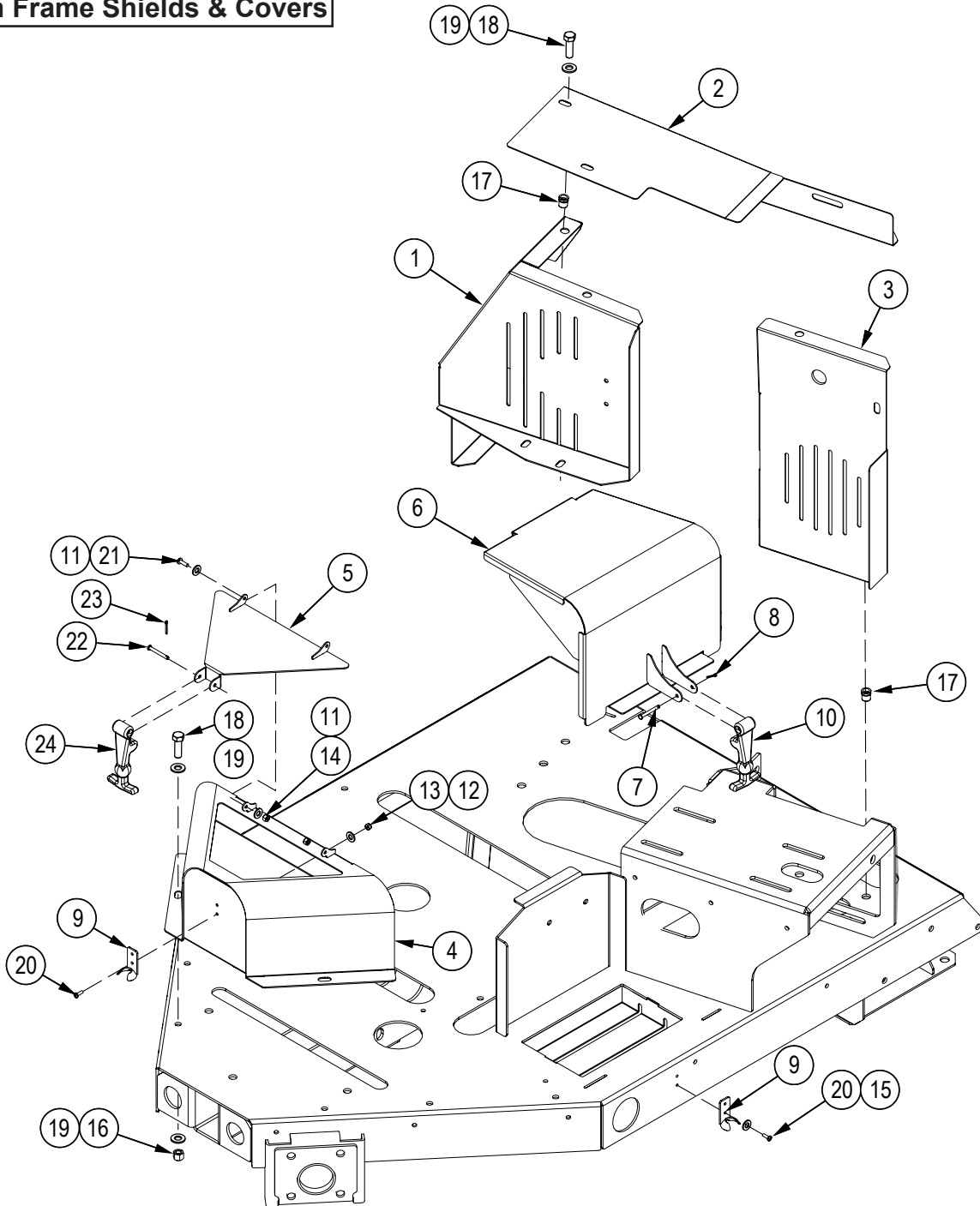
Have any brake and axle maintenance or repairs performed by a qualified technician.

Tongue Assembly



Item No.	Part No.	Description	Qty
1	1063W009	Tongue	1
2	Z71535	Hex Bolt, 1/2NC x 3 1/2"	2
3	Z71535	Hex Bolt, 1/2NC x 3-1/2"	2
4	Z72251	Hex Lock Nut, 1/2NC	4
5	Z73151	SAE Washer, 1/2"	4
6	Z91614	Hitch Coupler, 2" Ball x 2" x 3500lbs	1
7	Z92303	Safety Chain, 1/4" x 2ft with Snap	2

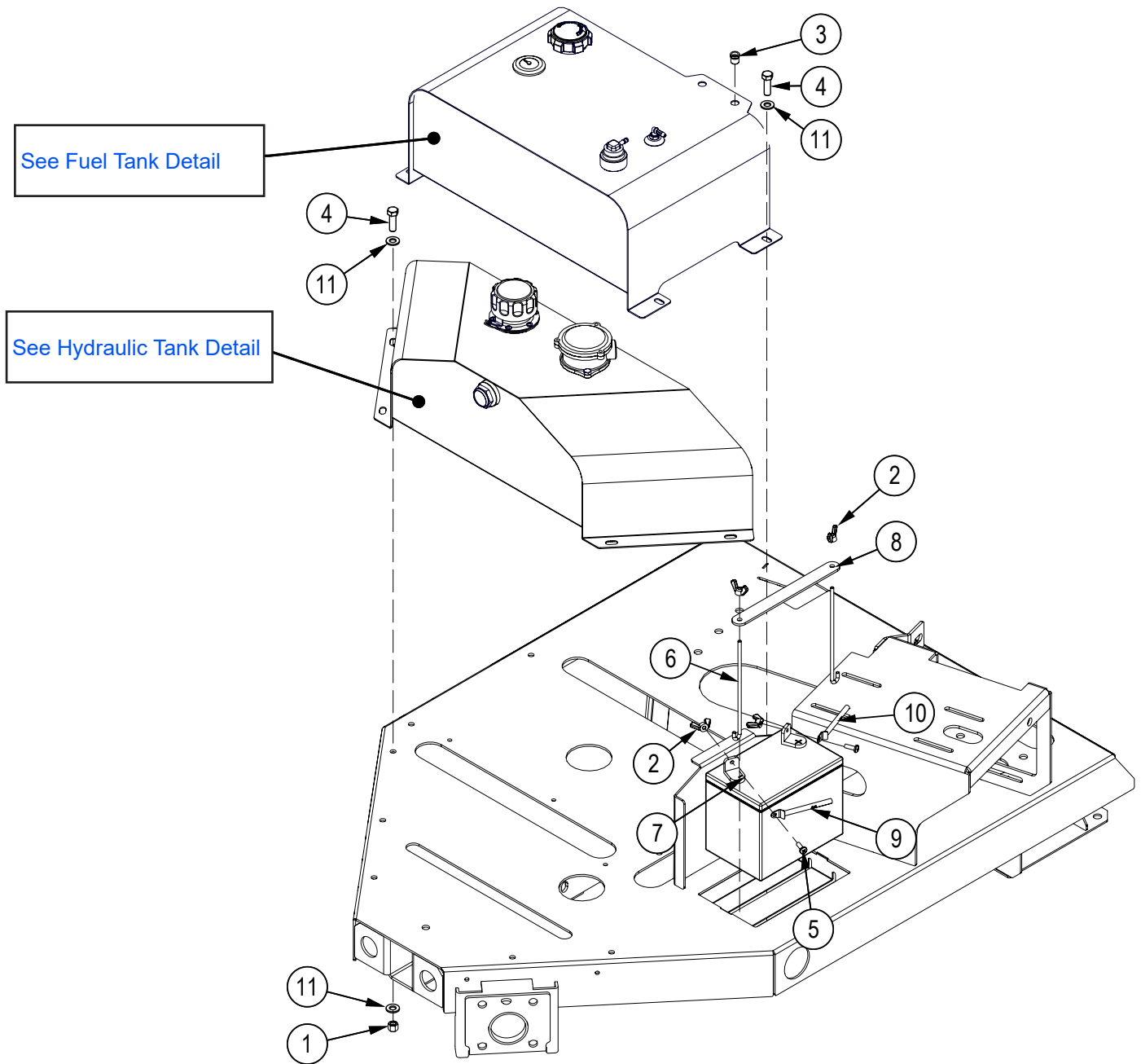
Main Frame Shields & Covers



Item No.	Part No.	Description	Qty
1	1063L014	Sub-Shield, Front Belt	1
2	1063L036	Shield, Top Belts	1
3	1063W023	Shield, Sensor Mount	1
4	1063W006	Weldment, Toolbox	1
5	1063W007	Weldment, Toolbox Lid	1
6	1063W020	Weldment, Battery Cover	1
7	Z11300	Clevis Pin 3/16 x 1-3/8	2
8	Z12300	Cotter Pin 3/32 X 3/4	2
9	Z18201	Hood Fastener, Top Bracket	2
10	Z18201	Hood Fastener, Latch Strap	2
11	Z73101	SAE Washer, #10	4
12	Z73102	SAE Washer, #8	2

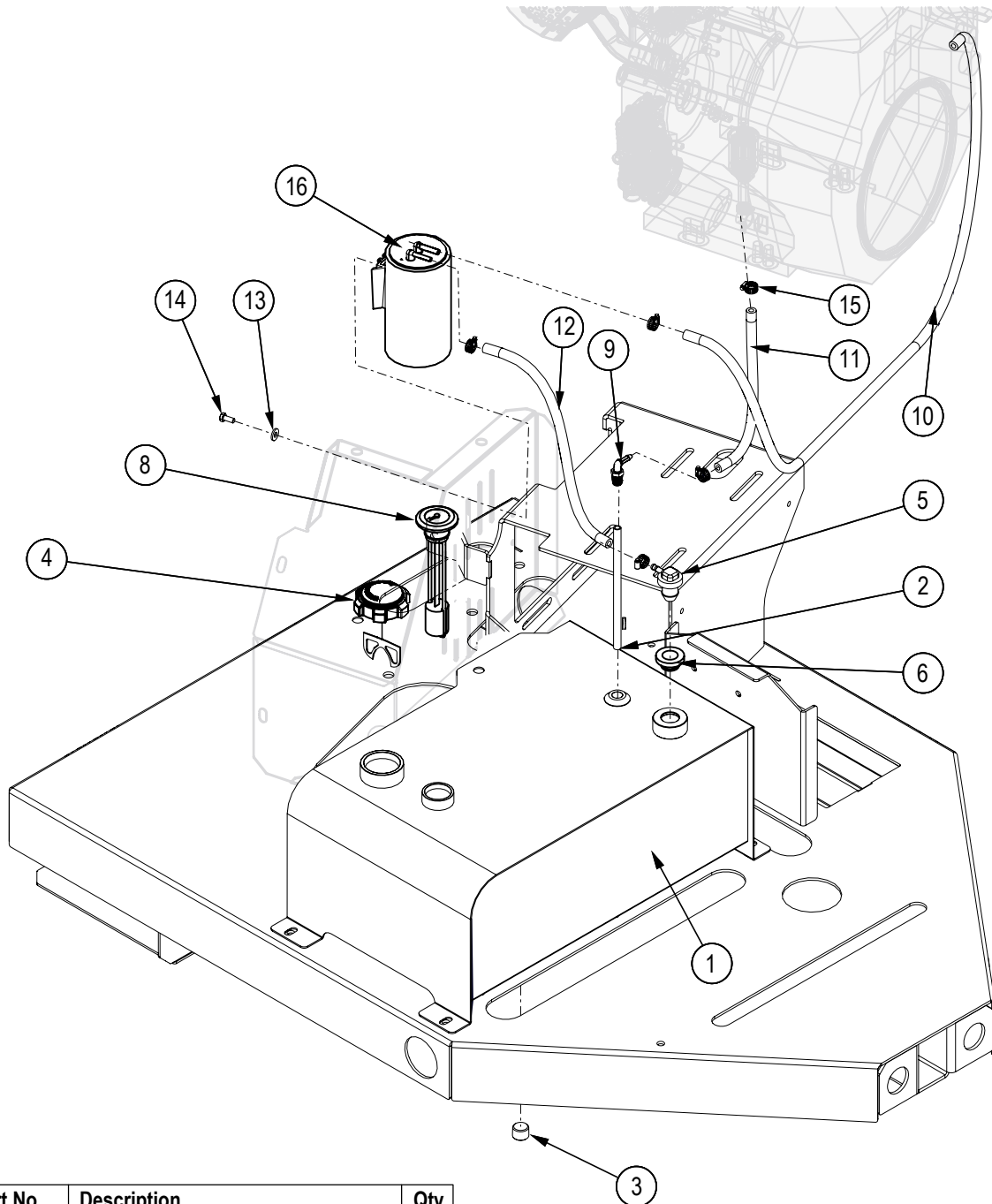
Item No.	Part No.	Description	Qty
13	Z72202	Hex Lock Nut, #8NC	4
14	Z72203	Hex Lock Nut, #10NC	2
15	Z73111G8	SAE Washer, 1/4" Grade 8	2
16	Z72231	Hex Lock Nut, 3/8NC	2
17	Z72955	Rivet Nut, 1/4NC x 165	5
18	Z71310	Hex Bolt, 3/8NC x 1"	2
19	Z73131G8	SAE Washer, 3/8" Grade 8	11
20	Z78301	BHCS, 1/4NC x 3/4", Hex Drive	4
21	Z78312	Machine Screw, #10NC x 5/8"	2
22	Z11301	Clevis Pin, 3/16" x 1-3/8"	1
23	Z12301	Cotter Pin, 3/32" x 3/4"	1
24	Z18201	Hood Fastener, Latch Strap	1

Main Frame – Tanks & Battery



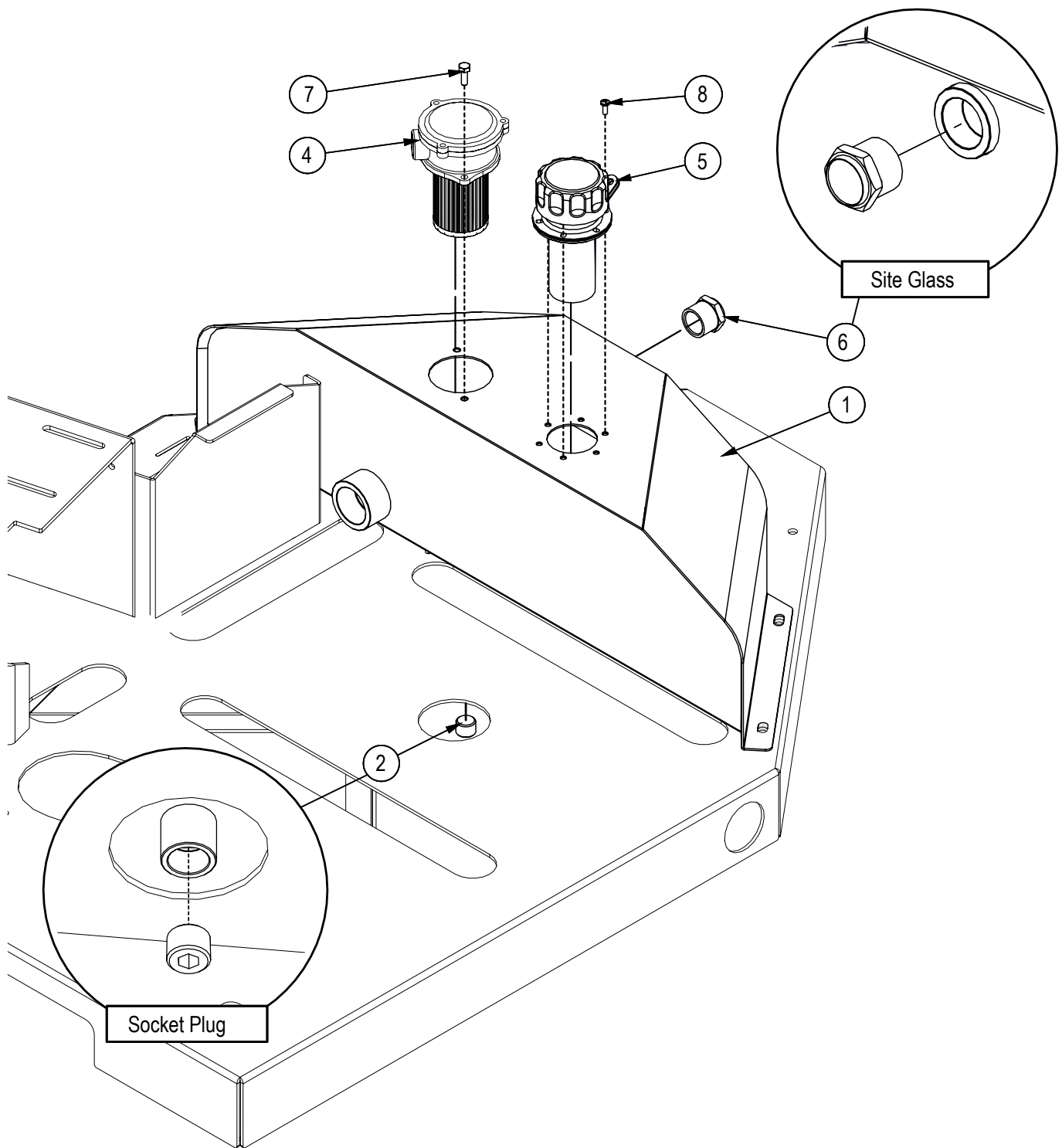
Item No.	Part No.	Description	Qty
1	Z72231	Hex Lock Nut, 3/8NC	8
2	Z72921	Wing Nut, 1/4NC	4
3	Z72958	Rivet Nut, 3/8NC x 150	2
4	Z71310	Hex Bolt, 3/8NC x 1"	8
5	Z78301	Machine Screw, 1/4NC x 3/4"	2
6	Z93202	J-Hook, 1/4" x 7"	2
7	Z93204	Battery, 325CCA	1
8	Z93207	Hold-Down Strap, 1" x 8-1/2"	1
9	Z93210	Battery Cable, Negative x 25"	1
10	1063F022	Postive Battery Cable	1
11	Z73131G8	SAE Washer, 3/8" Grade 8	16

Fuel Tank



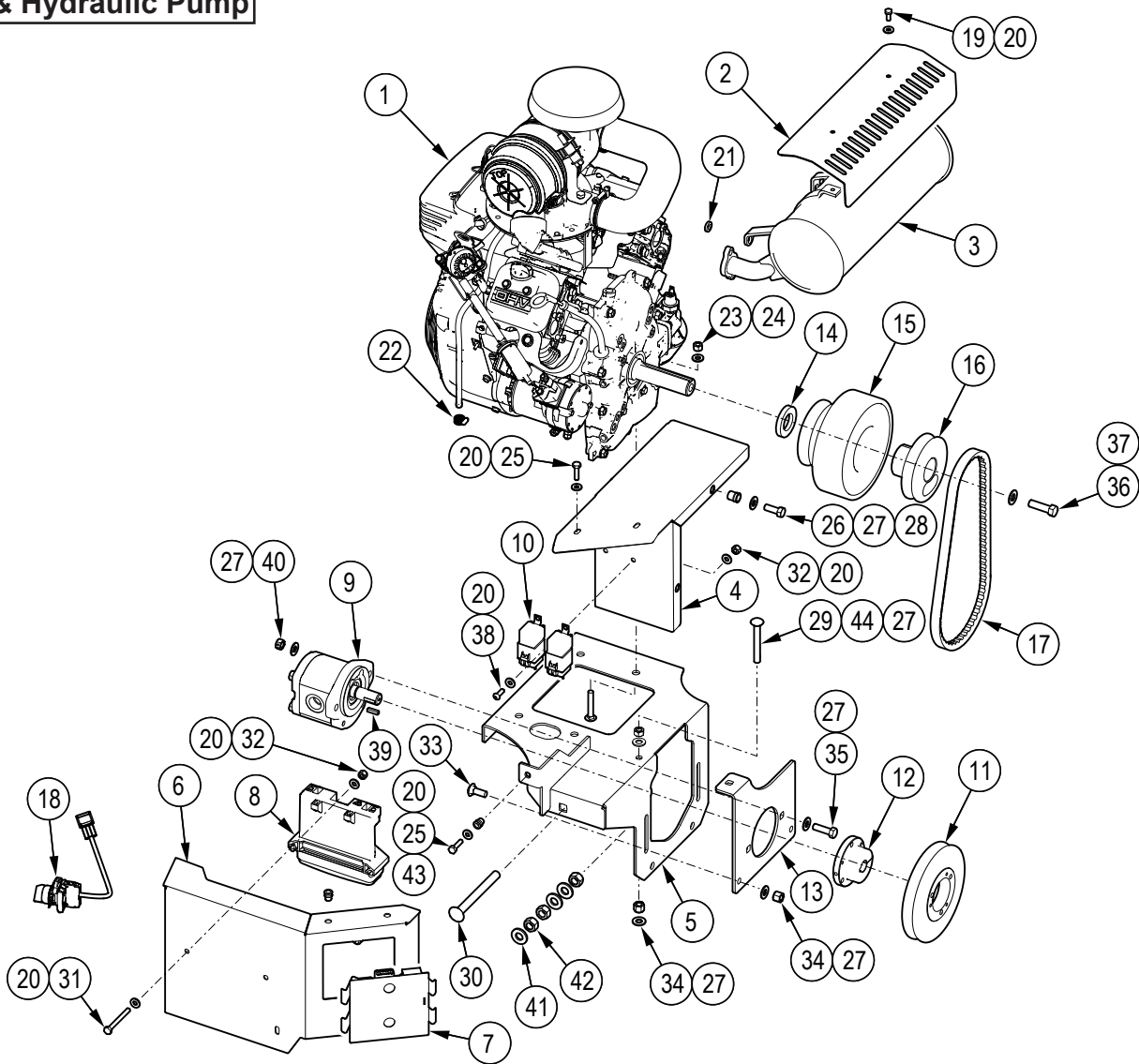
Item No.	Part No.	Description	Qty
1	1063W033	Fuel Tank, Threaded Gauge	1
2	1052S501	Fuel Pickup Tube	1
3	Z51693	Socket Plug, MORB 08	1
4	Z93108	EPA Ratchet Fuel Cap	1
5	Z93110	EPA Remote Vent, HB04	1
6	Z93111	Vent Grommet For Z93110	1
8	Z93121	Fuel Gauge Thread Mount x 6-1/2"	1
9	Z93312	Plastic Elbow 90, MP x HB 0404	1
10	1063F018	EPA Fuel Line, 1/4" x 35"	1
11	1063F019	EPA Fuel Line, 1/4" x 45"	1
12	1063F010	EPA Fuel Line, 1/4" x 13"	1
13	Z73111	SAE Washer, 1/4"	2
14	Z77130	Hex Bolt, M6x1.0 x 14mm	2
15	Z79405	Hose Clamp, SAE #4 (5/8")	5
16	Z93309	EPA Carbon Canister, 652cc	1

Hydraulic Tank



Item No.	Part No.	Description	Qty
1	1063W031	Hydraulic Tank	1
2	Z51693	Socket Plug	1
4	Z55201	Tank Mounted Return Filter, FP12	1
5	Z55403	Filler Breather Cap x 400um Locking	1
6	Z55901	Site Glass, MP16	1
7	Z71107	Hex Bolt, 1/4NC x 3/4"	2
8	Z78316	BHCS, #10NF x 3/4", Hex Drive	6

Engine & Hydraulic Pump



Item No.	Part No.	Description	Qty
1	Z47755	Vanguard 23hp (627cc) EFI E-Start	1
2	1063L110	Muffler, Cover	1
3	Z47758	EFI Muffler, Vanguard 23hp Oil Filter Side	1
4	1063L101	Shield, Engine Clutch	1
5	1063W034	Base, Engine Slide	1
6	1063L120	Bracket, Controller x Display Mount	1
7	1063A059	LED Indicator Panel	1
8	1062E003	24 Pin, Chipper Feed V3.0	1
9	Z53119	Outrigger Gear Pump, Series 20 x 0.30	1
10	1063F020	VG Harness, BXTR5224 P3 Logic v3	1
11	Z41612	Sheave, 1B60 x SDS	1
12	Z41511	Hub, SDS x 3/4"	1
13	1063L002	Plate, Pump Slide	1
14	1063L109	Spacer, 1-1/8" ID x 0.25"	1
15	Z41902	Centrifugal Clutch, 2B39 x 1-1/8"	1
16	1063M004	Pulley, 1B39 x Cent. Clamp x Pocket	1
17	Z41166	Single Belt, BX31	1
18	Z63630	2 Position Selector Switch	1
19	Z77130	Hex Bolt, M6x1.0 x 14mm	2
20	Z73111G8	SAE Washer, 1/4" Grade 8	16
21	Z77355	DIN 125 Thick Washer, M8	1
22	Z79405	Hose Clamp, SAE #4 (5/8")	1
23	Z72221	Hex Lock Nut, 5/16NC	4
24	Z73122G8	SAE Washer, 5/16" Grade 8	4
25	Z71110	Hex Bolt, 1/4NC x 1"	2
26	Z71310	Hex Bolt, 3/8NC x 1"	2

Item No.	Part No.	Description	Qty
27	Z73131G8	SAE Washer, 3/8" Grade 8	6
28	Z72958	Rivet Nut, 3/8NC x 150	2
29	Z76238FT	Carriage Bolt, 3/8NC x 3" Full Threads	1
30	Z76253	Carriage Bolt, 1/2NC x 5" Full Threads	1
31	Z71125	Hex Bolt, 1/4NC x 2-1/2"	2
32	Z72211	Hex Lock Nut, 1/4NC	4
33	Z76231	Carriage Bolt, 3/8NC x 1"	2
34	Z72231	Hex Lock Nut, 3/8NC	2
35	Z71312	Hex Bolt, 3/8NC x 1-1/4"	2
36	Z71472	Hex Bolt, 7/16NF x 1-1/2"	1
37	Z73142G8	SAE Washer, 7/16" Grade 8	1
38	Z78301	BHCS, 1/4NC x 3/4", Hex Drive	4
39	Z46524	Key, 3/16" x 3/16" x 3/4"	1
40	Z72233	Hex CTR-lock Nut, 3/8NC	2
41	Z73151G8	SAE Washer, 1/2" Grade 8	3
42	Z72151	Hex Nut, 1/2NC	3
43	Z72955	Rivet Nut, 1/4NC x 165	2
44	Z72131	Hex Nut, 3/8NC	1

Blower Assembly

See Discharge Chute

See Rotor Detail

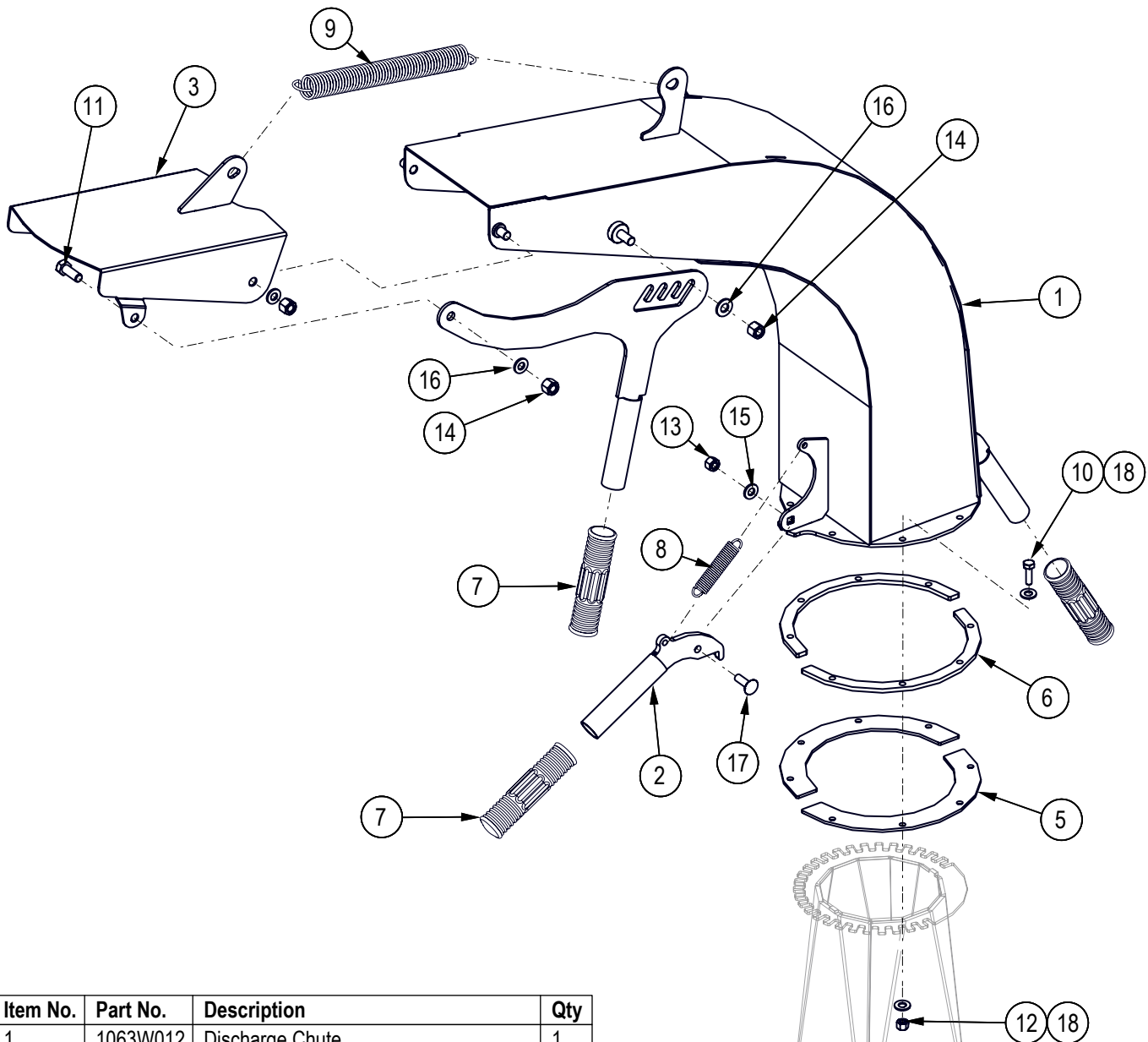
Gauge Assembly Detail

Knife Assembly Detail

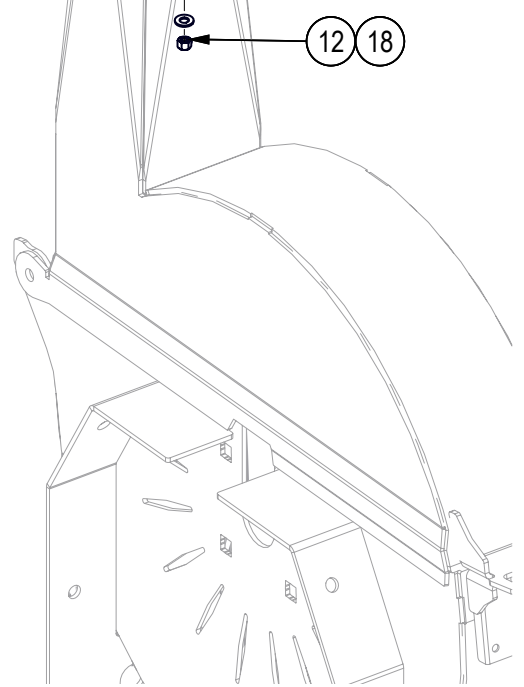
Item No.	Part No.	Description	Qty
1	1063W003	Trailer Upper Rotor Housing	1
2	1063W029	Lower Rotor Housing	1
3	1063W011	Twig Breaker, BXTR52	1
4	1011M104	Knife, 4" Ledger	1
5	1012L269	Gauge, Ledger Setting	1
6	1024L124	Ledger Washer	2
7	1026M102	L Handed Plunger, Compact	1
8	Z14151	Roll Pin, 3/16" x 1-1/2"	1
9	Z32305	Comp Spring, 0.845" OD x 3-1/2" x 0.085"	1
10	Z72202	Hex Lock Nut, #8NC	2
11	Z62818	Rubber Grommet, 3/4" x 3/16"	1
12	Z66115	Limit Switch, Roller Tip x M12	1
13	Z71372G8	Hex Bolt, 3/8NF x 5/8" G8	1
14	Z71379G8	Hex Bolt, 3/8NF x 1-1/4" G8	2

Item No.	Part No.	Description	Qty
15	Z71515	Hex Bolt, 1/2NC x 1-1/2"	12
17	Z72131	Hex Nut, 3/8NC	8
19	Z72251	Hex Lock Nut, 1/2NC	8
21	Z72960	Rivet Nut, 1/2NC x 200	1
22	Z73131	SAE Washer, 3/8"	7
24	Z71515	Hex Bolt, 1/2NC x 1-1/2"	1
25	Z76534	Rod End, 3/8NC x 3-1/2"	2
26	Z75103	SHCS, #8NC x 1"	2
27	Z73102	SAE Washer, #8	2
28	Z73151G8	Rod End, 3/8NC x 3-1/2"	2

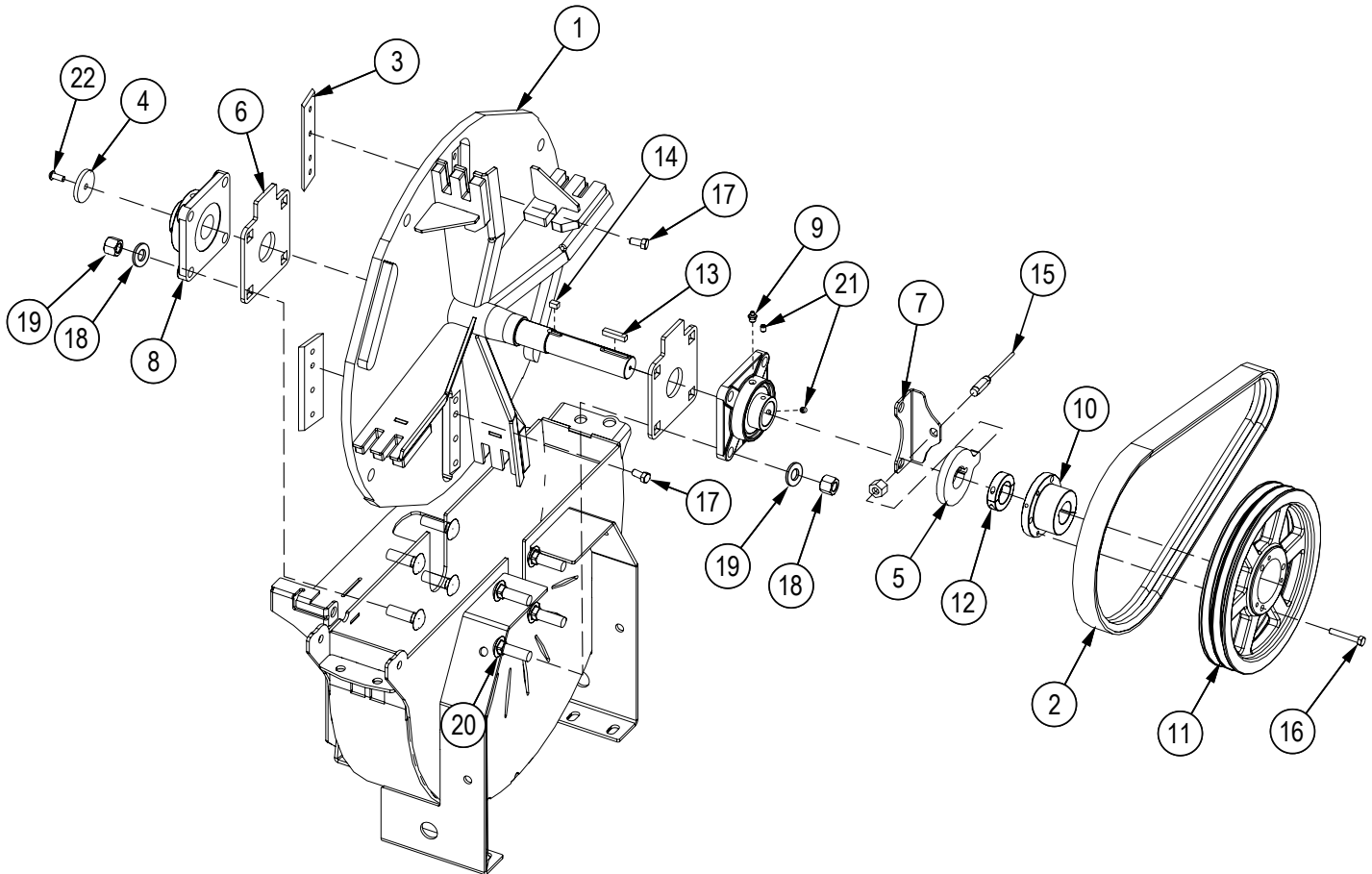
Discharge Chute



Item No.	Part No.	Description	Qty
1	1063W012	Discharge Chute	1
2	1024W108	Discharge Latch	1
3	1062W517	Discharge Deflector	1
4	1063W013	Deflector Handle, BXTR52	1
5	1024L133	Hood Capture Ring	2
6	1024L134	Spacer Ring	2
7	Z19321	Handle Grip, 1"	3
8	Z31305	Ext Spring, 5/8" OD x 3" x 0.08"	1
9	Z31403	Ext Spring, 27mm OD x 178mm x 0.105"	1
10	Z71118	Hex Bolt, 1/4NC x 1"	8
11	Z71310	Hex Bolt, 3/8NC x 1"	1
12	Z72211	Hex Lock Nut, 1/4NC	8
13	Z72221	Hex Lock Nut, 5/16NC	1
14	Z72231	Hex Lock Nut, 3/8NC	5
15	Z73122	SAE Washer, 5/16"	1
16	Z73131	SAE Washer, 3/8"	4
17	Z76225	Carriage Bolt, 5/16NC x 1"	1
18	Z73111G8	SAE Washer, 1/4" Grade 8	16

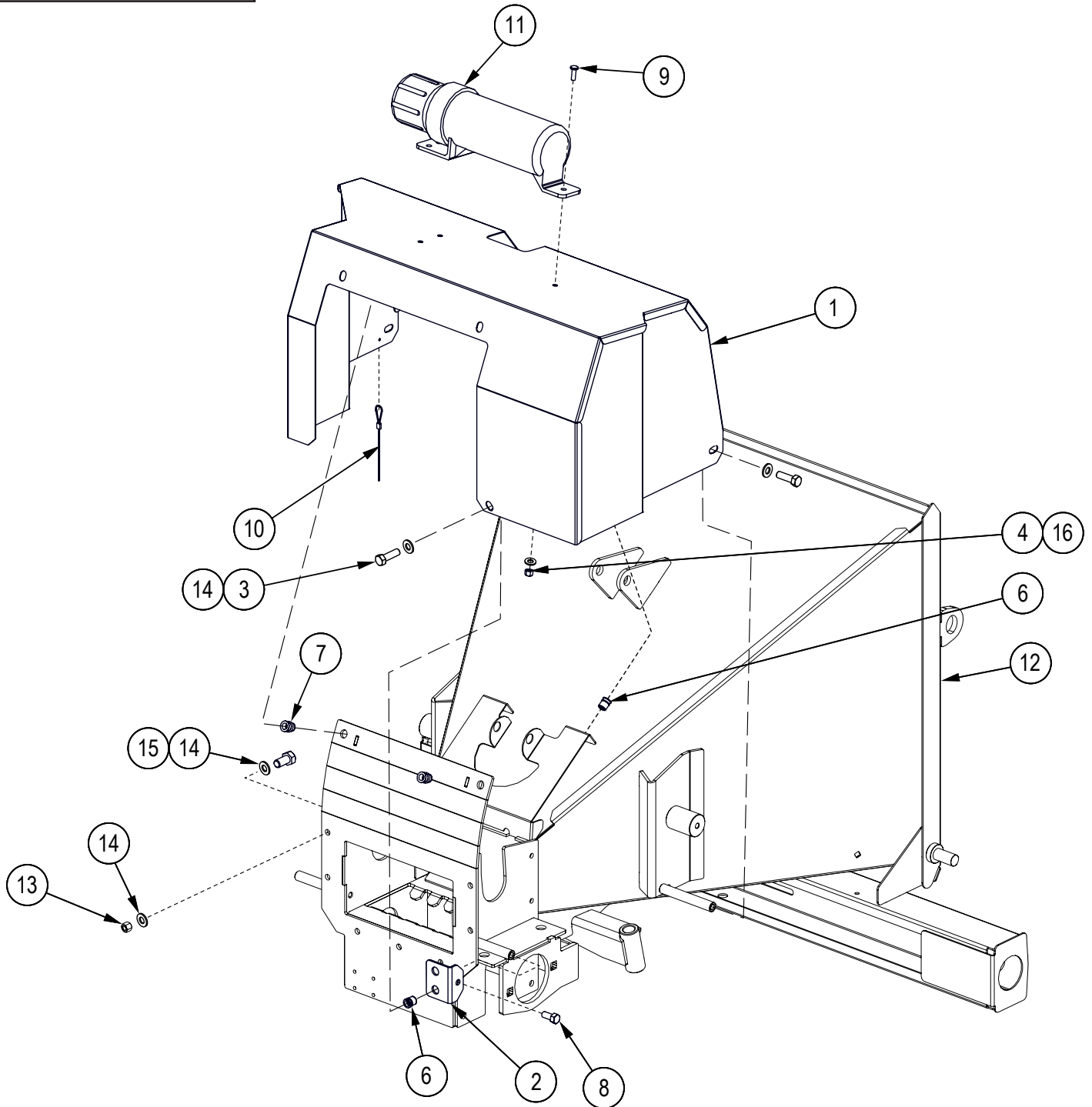


Rotor Assembly



Item No.	Part No.	Description	Qty	Item No.	Part No.	Description	Qty
1	1063W002	Rotor, BXTR52	1	12	Z46315	Two-Piece Shaft Collar, 1-3/8" ID x 9/16"	1
2	Z41263	Double Belt, 2B51	1	13	Z46543	Key, 5/16" x 5/16" x 1-1/2"	1
3	1011M103	Knife, 4" Rotor	2	14	Z46545	Key, 5/16" x 5/16" x 1/2"	1
4	1021S102	Rotation Indicator Cover	1	15	Z64406	Prox Sensor, 12mm NO x 4mm x M12	1
5	1023L751	Rotor Speed Indicator, BX102R	1	16	Z71220	Hex Bolt, 5/16NC x 2"	3
6	1024L107	Bearing Plate, BX52	2	17	Z71373G8	Hex Bolt, 3/8NF x 3/4 G8	8
7	1024L556	Sensor Mounting Bracket	1	18	Z72261G8	Hex Lock Nut, 5/8NC G8	8
8	Z25204	4-Bolt Flange Bearing, UCF208-24	2	19	Z73161G8	SAE Washer, 5/8" Grade 8	8
9	Z29201	Grease Fitting, MP02	2	20	Z76266	Carriage Bolt, 5/8NC x 2-1/4"	8
10	Z41501	Hub, SK x 1-3/8"	1	21	Z74122	Set Screw, 5/16NF x 3/8"	4
11	Z41701	Double Sheave, 2B110 x SK	1	22	Z75351	BHCS, 5/16NF x 3/4"	1

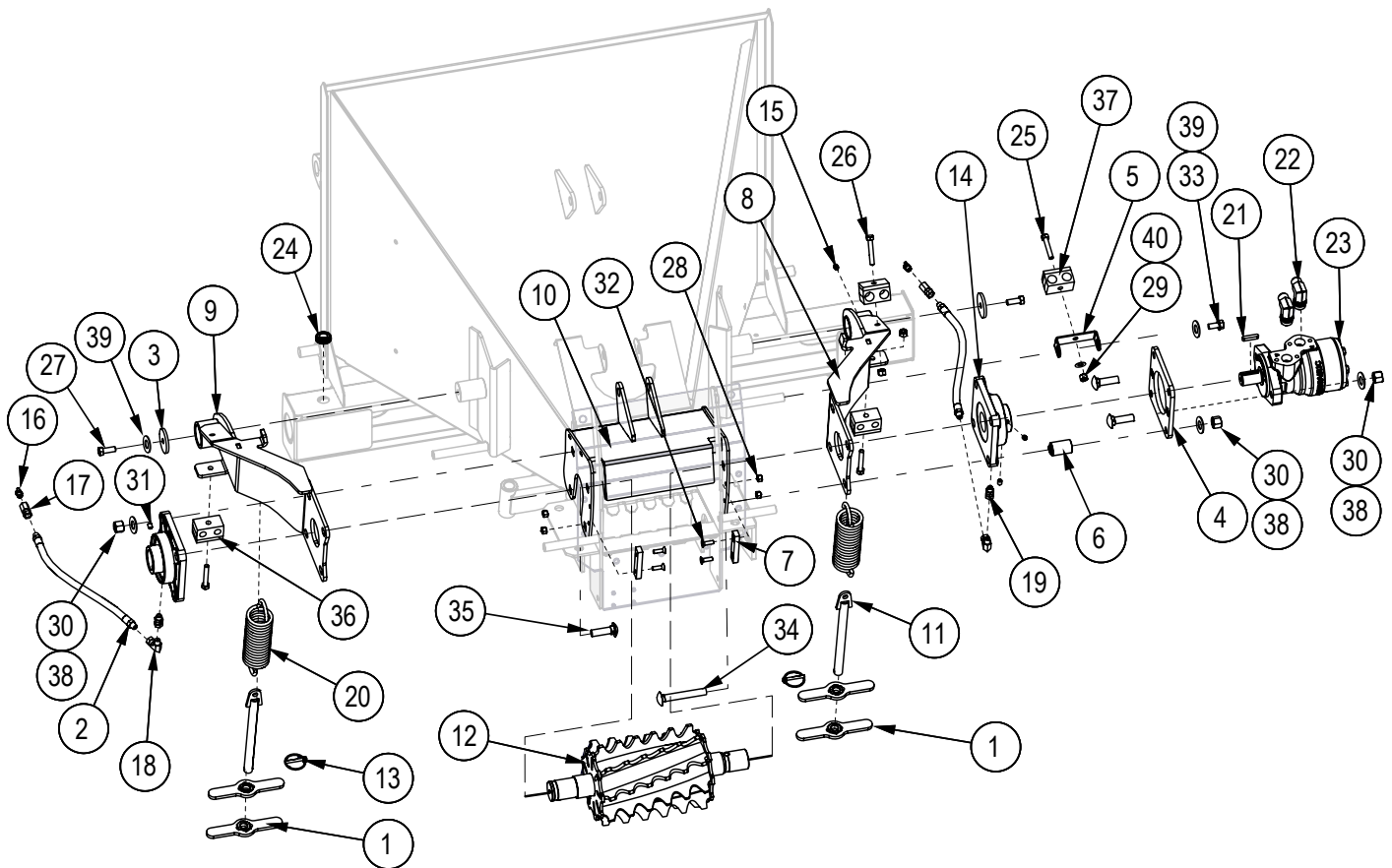
Hopper – Bridge Guard



Item No.	Part No.	Description	Qty
1	1024W621	Bridge Guard	1
2	1023L300	Bridge Guard Mount	1
3	Z71308	Hex Bolt, 3/8NC x 7/8"	7
4	Z72211	Hex Lock Nut, 1/4NC	3
6	Z72958	Rivet Nut, 3/8NC x 150	3
7	Z72959	Rivet Nut, 3/8NC x 312	2
8	Z71307-1	Hex Bolt, 3/8NC x 3/4"	9
9	Z78301	Machine Screw, 1/4NC x 3/4"	3

Item No.	Part No.	Description	Qty
10	Z92110	Aircraft Cable, 1/16" x 24"	1
11	Z96503	Manual Tube, 3-1/2" Short	1
12	1063W017	Main Hopper, BXTR52	1
13	Z72231	Hex Lock Nut, 3/8NC	7
14	Z73131G8	SAE Washer, 3/8" Grade 8	7
15	Z71312	Hex Bolt, 3/8NC x 1-1/4"	7
16	Z73111G8	SAE Washer, 1/4" Grade 8	3

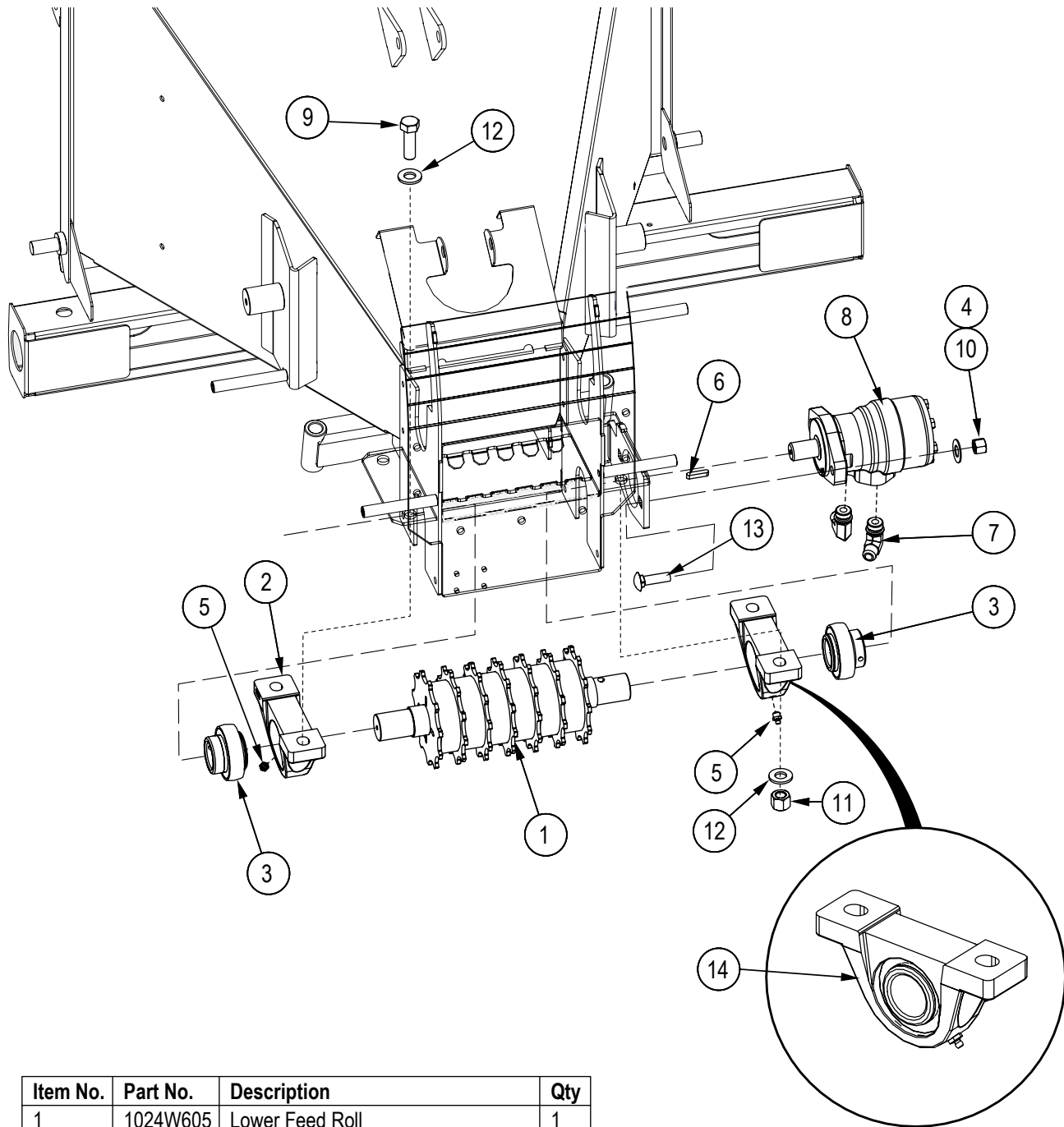
Upper Roller



Item No.	Part No.	Description	Qty
1	1022W220	Nut Handle	4
2	1024F502	1/4" Grease Whip, MP02 x MP02 x 11"	2
3	1024L618	Capture Washer	2
4	1024L771	Motor Bearing Interface	1
5	1024L775	Clamp Mount	1
6	1024M505	Motor Bearing Spacer	4
7	1024S707	Rotor Hood Slide	2
8	1024W602	Roller Pivot Arm, LH	1
9	1024W602H	Roller Pivot Arm, RH	1
10	1024W618	Bridge	1
11	1024W708	Spring Yoke	2
12	1063W014	Upper Feed Roller, Spiral Overlap	1
13	Z12110	Lynch Pin, 3/16"	2
14	Z25204	4-Bolt Flange Bearing, UCF208-24	2
15	Z29202	Grease Fitting, 1/4NF	2
16	Z29204	Elbow 45 Grease Fitting, MP02	2
17	Z29302	Grease Fitting, FP x FPX 0202	2
18	Z29307	Elbow 90 Grease Fitting, MP x FPX 0202	2
19	Z29311	Grease Fitting, MP x FPX 0202	2

Item No.	Part No.	Description	Qty
20	Z31501	Ext Spring, 2" OD x 7" x 0.250"	2
21	Z46594	Blind Chipper Key, 1/4" x 1/4" x 1-1/4"	2
22	Z51658	Elbow 90, MJIC x MORB 0810	4
23	Z54102	Hydraulic Motor, 200CCR	1
24	Z62818	Rubber Grommet, 3/4" x 3/16"	1
25	Z71222	Hex Bolt, 5/16NC x 2-1/4"	2
26	Z71220	Hex Bolt, 5/16NC x 2"	3
27	Z71310	Hex Bolt, 3/8NC x 1"	2
28	Z72211	Hex Lock Nut, 1/4NC	4
29	Z72221	Hex Lock Nut, 5/16NC	4
30	Z72251	Hex Lock Nut, 1/2NC	12
31	Z74122	Set Screw, 5/16NF x 3/8"	4
32	Z75211	FHCS, 1/4NC x 7/8"	4
33	Z71308	Hex Bolt, 3/8NC x 7/8"	2
34	Z762511	Carriage Bolt, 1/2NC x 4"	4
35	Z76255	Carriage Bolt, 1/2NC x 2"	4
36	Z79462	Double Hose Clamp, 1/2" OD	2
37	Z79463	Double Hose Clamp, 11/16" OD	2
38	Z73151G8	SAE Washer, 1/2" Grade 8	12
39	Z73131G8	SAE Washer, 3/8" Grade 8	4
40	Z73122G8	SAE Washer, 5/16" Grade 8	4

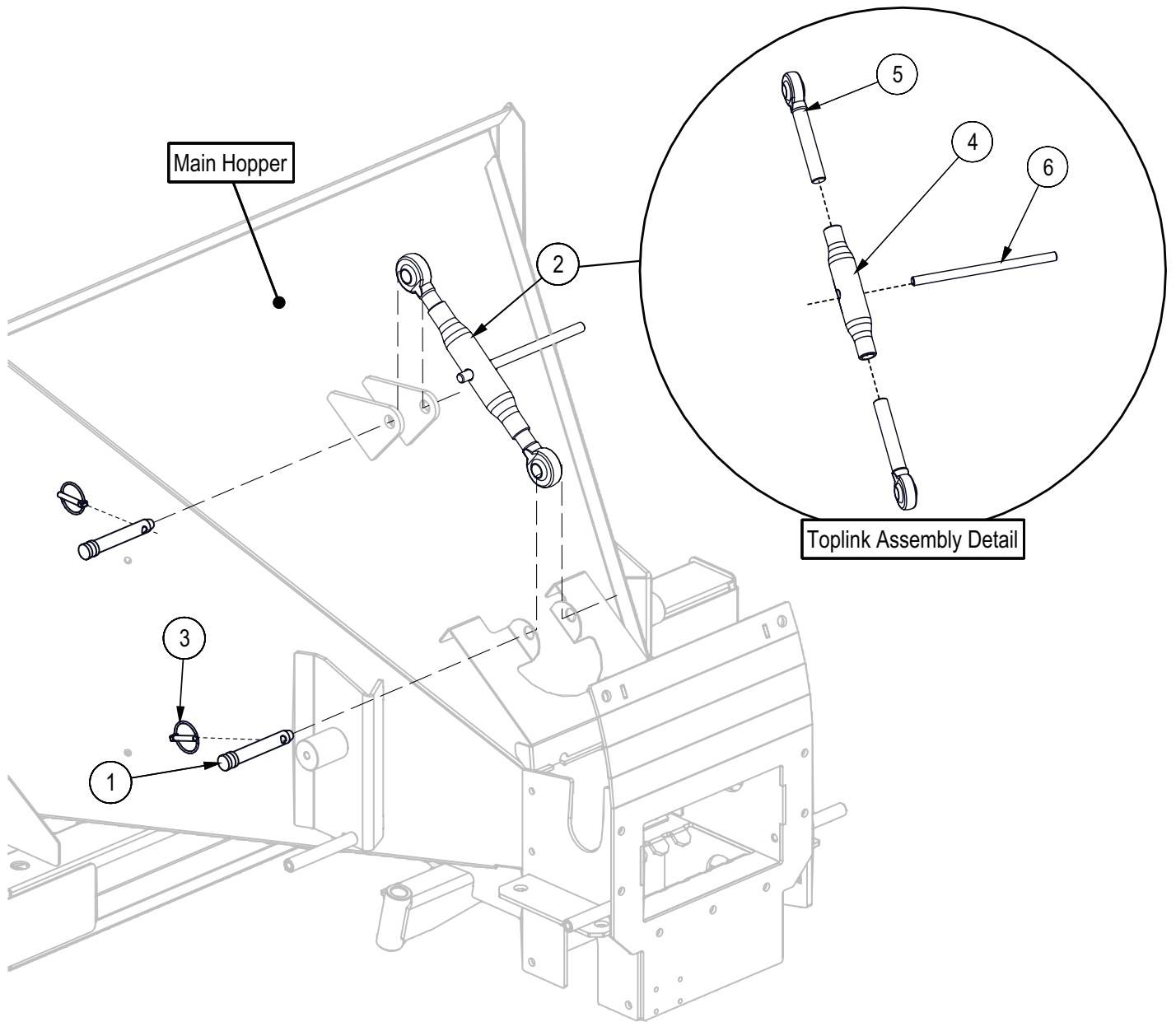
Lower Roller



Item No.	Part No.	Description	Qty
1	1024W605	Lower Feed Roll	1
2	Z24101-1	Housing, P208 for Z24101	2
3	Z24101-2	Bearing Insert, UC208-24 for Z24101	2
4	Z73151G8	Bearing Insert, UC208-24 for Z24101	2
5	Z29201	SAE Washer, 1/2" Grade 8	2
6	Z46594	Blind Chipper Key, 1/4" x 1/4" x 1-1/4"	2
7	Z51658	Elbow 90, MJIC x MORB 0810	2
8	Z54102	Hydraulic Motor, 200CCR	1
9	Z71622	Hex Bolt, 5/8NC x 2 1/4"	4
10	Z72251	Hex Lock Nut, 1/2NC	2
11	Z72261	Hex Lock Nut, 5/8NC	4
12	Z73161	SAE Washer, 5/8"	8
13	Z76255	Carriage Bolt, 1/2NC x 2"	2
14	Z24101	Pillow Block, UCP208-24	2

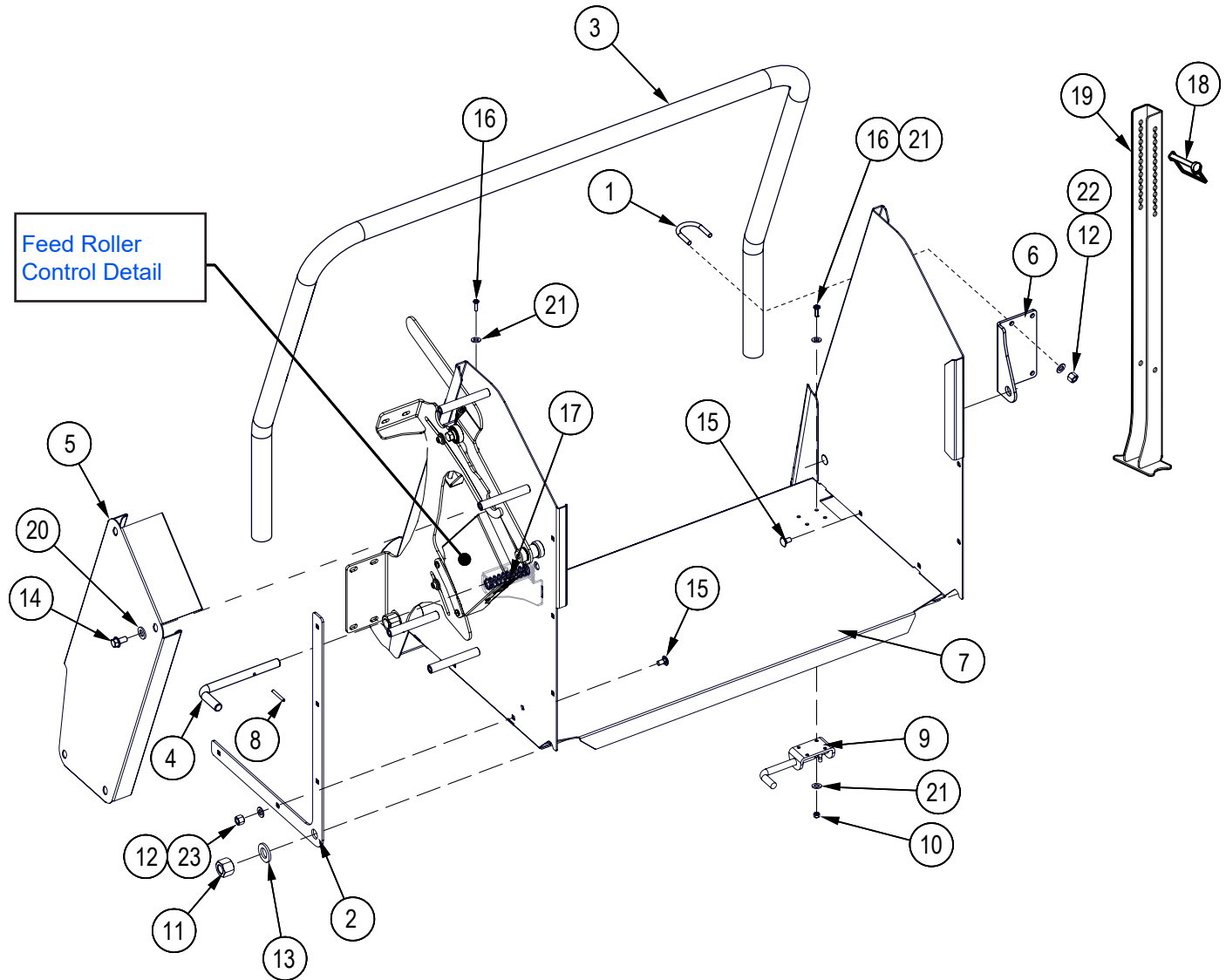
Items 2, 3 and 5 included in Item 14, Z24101 Pillow Block

Top Link Detail



Item No.	Part No.	Description	Qty
1	Z11111	Toplink Pin, 5/8" x 2-3/4"	2
2	Z11501	Toplink, Cat 0 x 10-1/2" x 16"	1
3	Z12120	Lynch Pin, 1/4"	2
4	Z11501-1	Body, Cat 0 Toplink	1
5	Z11501-2	Eye Rod, Cat 0 Toplink	2
6	Z11501-3	Handle, Cat 0 Toplink	1

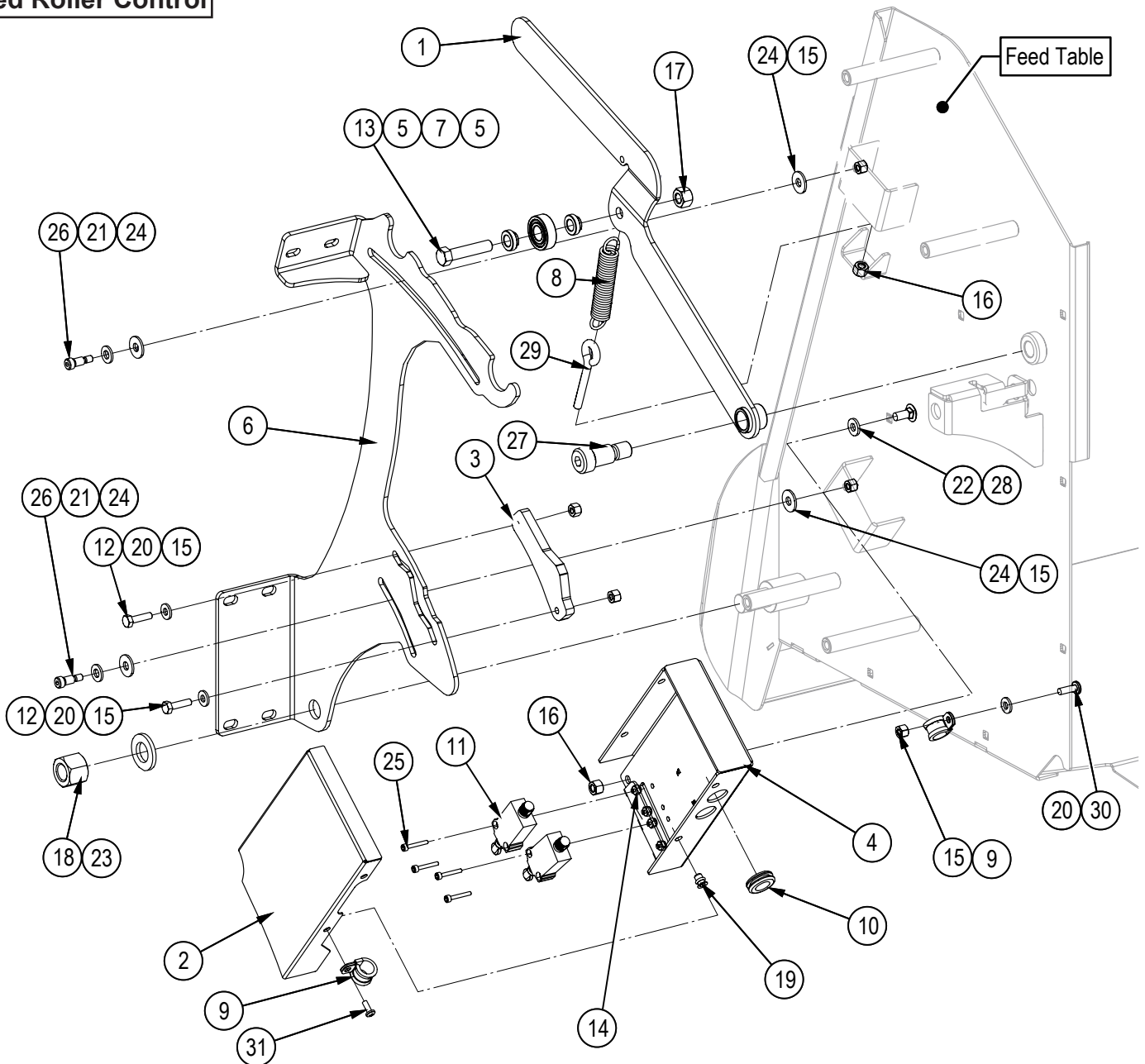
Feed Table



Item No.	Part No.	Description	Qty
1	1015S538	U-bolt, Bearing Adapter	5
2	1024L724	Fold Table Trap Plate	2
3	1024S703	Feed Control Handle	1
4	1026M102	L Handed Plunger, Compact	1
5	1060L302	CR100 Feed Switch Guard	1
6	1060L306	Feed Control Pivot, CR100	1
7	1063W016	Feed Table	1
8	Z14151	Roll Pin, 3/16" x 1-1/2"	1
9	Z18207	Spring Latch Pin, 1/2" x 1" Stroke	2

Item No.	Part No.	Description	Qty
10	Z72204	Hex Lock Nut, #10NF	8
11	Z72271	Hex Lock Nut, 3/4NC	2
12	Z72221	Hex Lock Nut, 5/16NC	20
13	Z73171	SAE Washer, 3/4"	2
14	Z71310	Hex Bolt, 3/8NC x 1"	4
15	Z76221	Carriage Bolt, 5/16NC x 3/4"	10
16	Z78316	Machine Screw, #10NF x 3/4"	8
17	Z32305	Comp Spring, 0.845" OD x 3-1/2" x 0.085"	1
18	Z12432	Snap Lock Pin, 3/8" x 2-1/2"	1
19	1063L072	Channel, Rear Foot Stand	1
20	Z73131G8	SAE Washer, 3/8" Grade 8	4
21	Z73101	SAE Washer, #10	16
22	Z73122G8	SAE Washer, 5/16" Grade 8	16

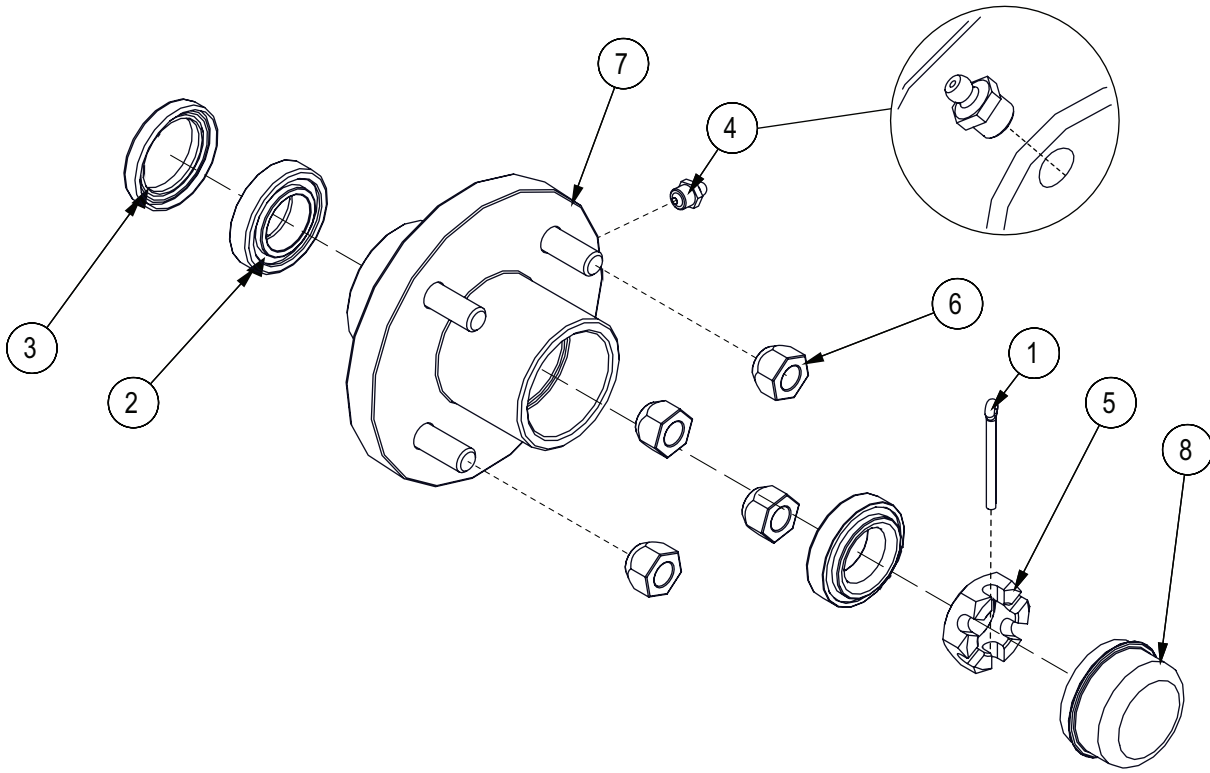
Feed Roller Control



Item	Part No.	Description	Qty
1	1060W302	Detent Reset Weldment, CR100	1
2	1060L303	Sensor Box Lid	1
3	1060L402	Feed Pickup Trigger	1
4	1060L403H	Switch Mount Plate, RH	1
5	1015M537	Bushing, Bearing	2
6	1060L305	Control Base Pivot Link	1
7	Z21203	Ball Bearing, 6202-2RS	1
8	Z31401	Ext Spring, 3/4" OD x 4" x 0.105"	1
9	Z62819	Rubberized Wire Clamp, 1/2"	2
10	Z62823	Rubber Grommet, 5/8" x 1/8"	2
11	Z66115	Limit Switch, Roller Tip x M12	2
12	Z71110	Hex Bolt, 1/4NC x 1"	2
13	Z71420	Hex Bolt, 7/16NC x 2"	1
14	Z72202	Hex Lock Nut, #8NC	4
15	Z72211	Hex Lock Nut, 1/4NC	5
16	Z72221	Hex Lock Nut, 5/16NC	4

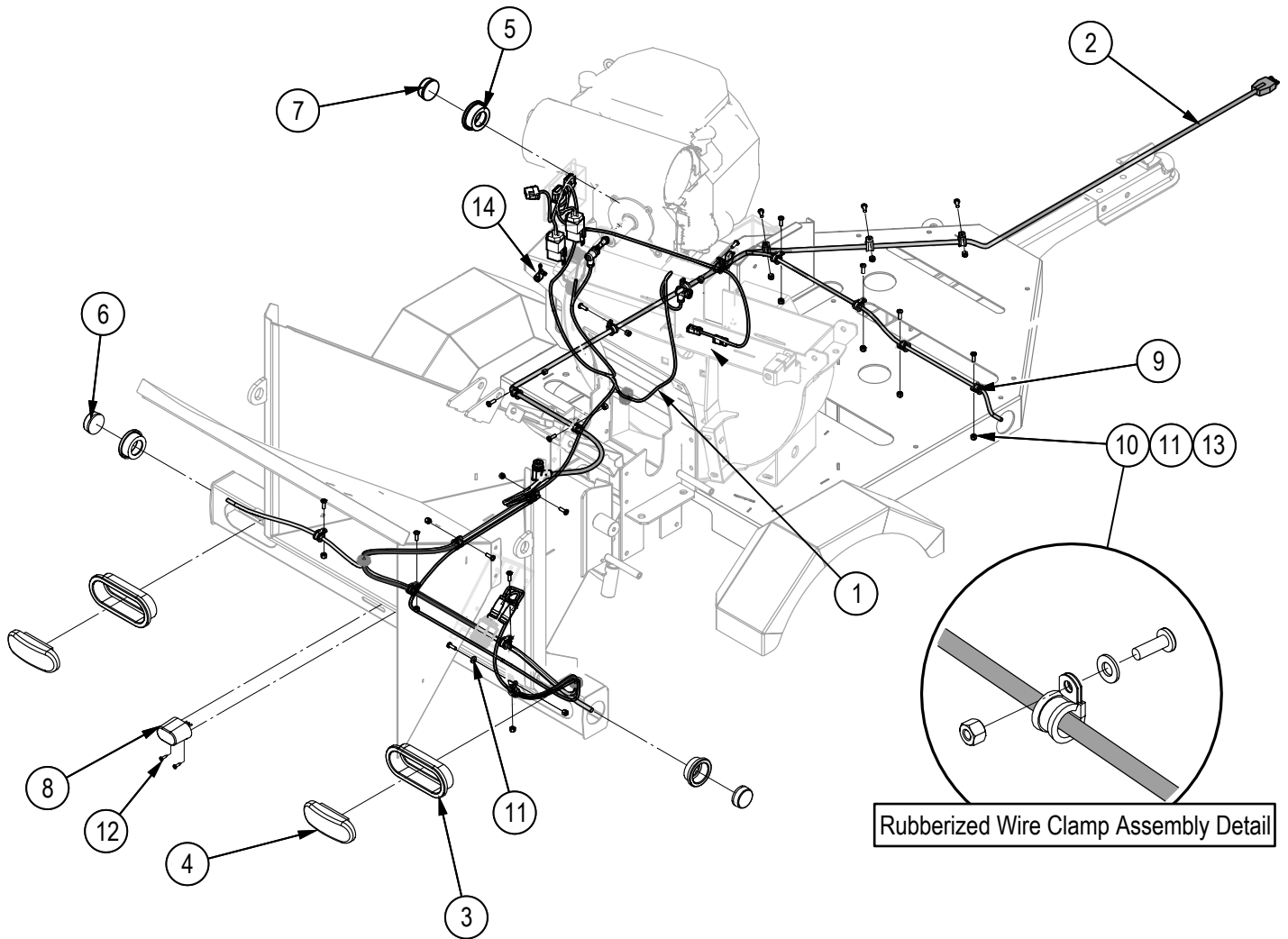
Item	Part No.	Description	Qty
17	Z72241	Hex Lock Nut, 7/16NC	1
18	Z72271	Hex Lock Nut, 3/4NC	1
19	Z72954	Rivet Nut, #10NF x 130	4
20	Z73111	SAE Washer, 1/4"	3
21	Z73122	SAE Washer, 5/16"	2
22	Z73123	Rubber Washer, 5/16" x 0.093"	3
23	Z73171G8	SAE Washer, 3/4"	1
24	Z73222	PTFE Washer, 5/16 x 0.080"	4
25	Z75103	SHCS, #8NC x 1"	4
26	Z75522	Shoulder Bolt, 5/16" x 1/2"	2
27	Z75574	Shoulder Bolt, 3/4" x 1"	1
28	Z76221	Carriage Bolt, 5/16NC x 3/4"	3
29	Z76522	Eye Bolt, 5/16NC x 2"	1
30	Z78301	Machine Screw, 1/4NC x 3/4"	1
31	Z78303	Machine Screw, #10NF x 1/2"	4

Hub Assembly



Item	Part No.	Description	Qty
1	Z12321	Cotter Pin, 3/16" x 1-3/4"	1
2	Z23202	Roller Bearing, L44649 L44610	2
3	Z28302	Double Lip Seal, 1-1/16"	1
4	Z29201	Grease Fitting, MP02	1
5	Z72691	Castle Nut, 1NF x 9/16" Thick	1
6	Z72931	Lug Nut, 1/2NF	4
7	Z91201	Hub, 1000lbs x 4on4	1
8	Z91801	Dust Cap, 1.98 Bore	1

Lights & Harness



Rubberized Wire Clamp Assembly Detail

Item No.	Part No.	Description	Qty
1	1063F020	Harness, BXTR5224 P3 Logic v3	1
2	1063F007	Harness, BXTR52 Lights	1
3	Z61103	Grommet, Oval x Open Back	2
4	Z61114	STT LED, Oval x Red	2
5	Z61202	Grommet, Round x Open Back	4
6	Z61210	Marker LED, Round x Red	2
7	Z61211	Marker LED, Round x Amber	2
8	Z61301	License Lamp, White	1
9	Z62819	Rubberized Wire Clamp, 1/2"	20
10	Z72211	Hex Lock Nut, 1/4NC	19
11	Z73111G8	SAE Washer, 1/4"	20
12	Z76712	Self-tapping Screw, #10 x 3/4"	2
13	Z78301	Machine Screw, 1/4NC x 3/4"	19
14	Z62828	Cable Clamp, P-Type Push In 1/2"	2

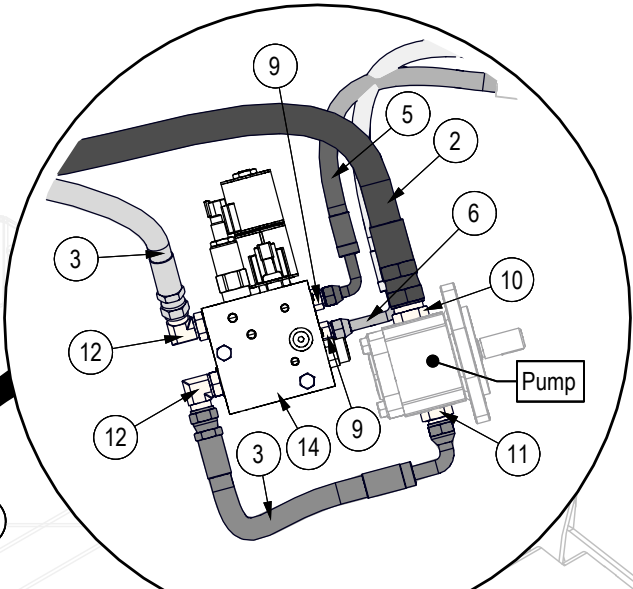
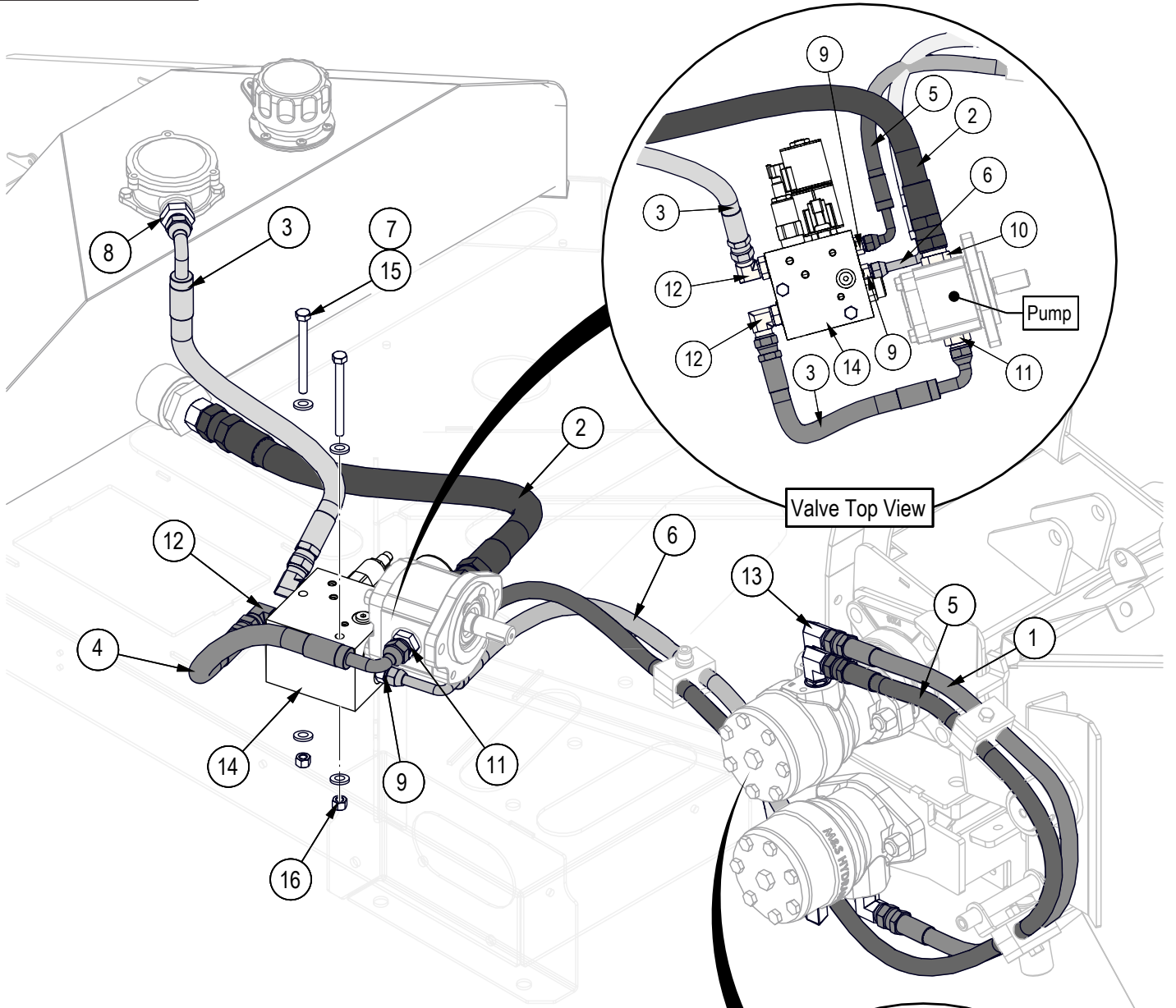
IMPORTANT! When assembling or replacing wire harnesses, apply a thin coating of silicone dielectric grease to the harness connectors.

Clean off any corrosion or loose particles, then apply a small amount to the surfaces of the connectors where they meet. The grease helps to stop any possibility of future corrosion.

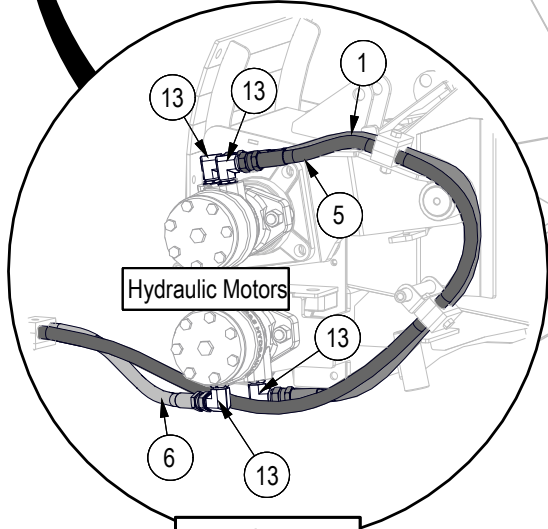
Reassemble the connection. Wipe off any grease that squeezes out.

Rev D

Hydraulic Circuit



Valve Top View



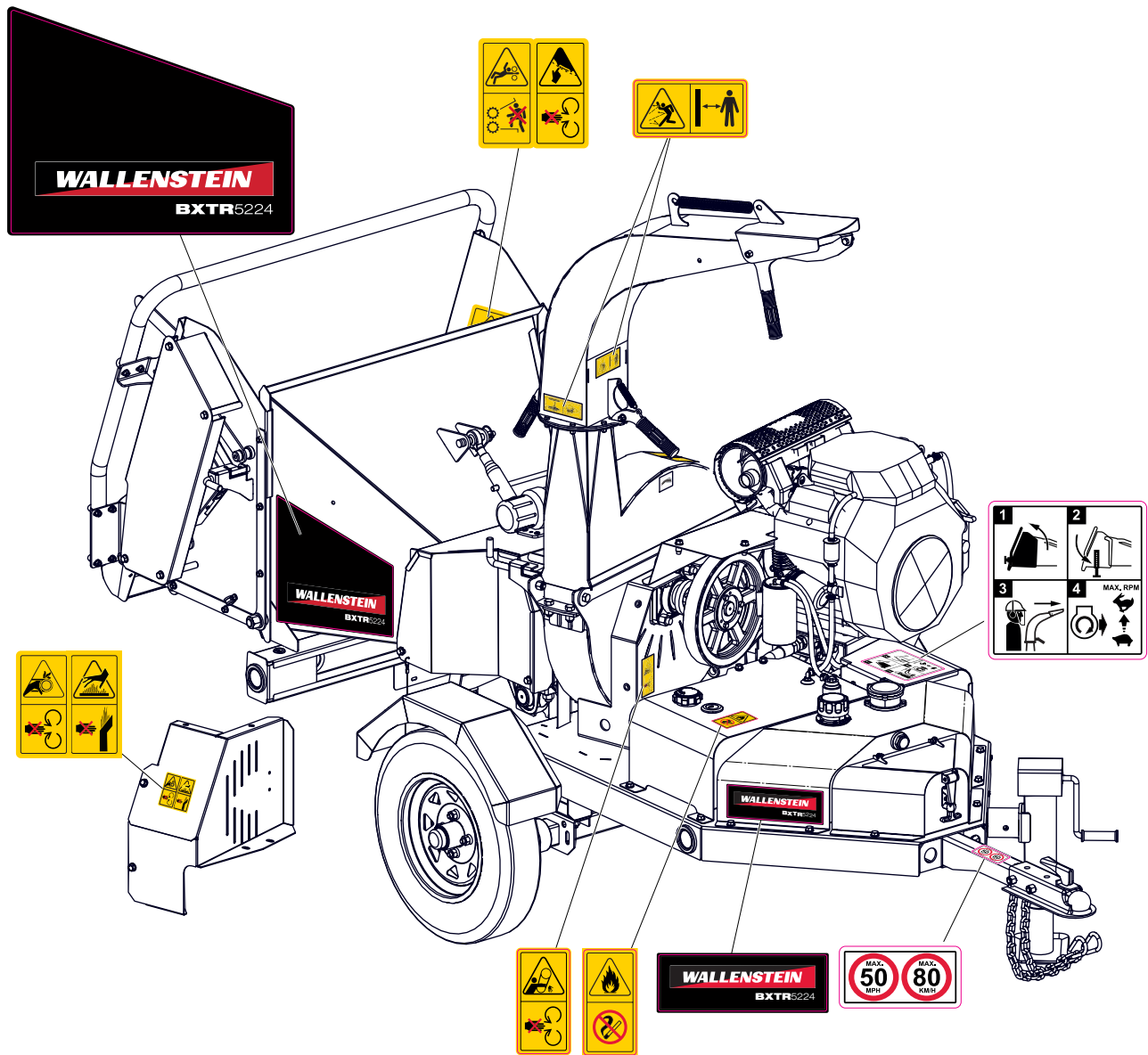
Motor Side View

Item No.	Part No.	Description	Qty
1	1024F501	3/8" Hose, FJIC08 x FJIC08 x 31"	1
2	1063F001	3/4" Hose, FJIC12 x FJIC12 x 17"	1
3	1063F002	1/2" Hose, FJIC08 x 45FJIC08 x 17"	1
4	1063F003	1/2" Hose, FJIC08 x 90FJIC08 x 11"	1
5	1063F004	3/8" Hose, FJIC08 x 90FJIC06 x 58"	1
6	1063F005	3/8" Hose, FJIC08 x 90FJIC06 x 25"	1
7	Z73122G8	SAE Washer, 5/16" Grade 8	4
8	Z51447	Straight, MJIC x MP 0812	1
9	Z51641	Straight, MJIC x MORB 0606	2
10	Z51661	Elbow 45, MJIC x MORB 1210	1
11	Z51647	Straight, MJIC x MORB 0810	1
12	Z51653	Elbow 90, MJIC x MORB 0808	2
13	Z51658	Elbow 90, MJIC x MORB 0810	4
14	Z56508	Single Spool Valve, OC Tandem PROPSOL x 6GPM	1
15	Z71240	Hex Bolt, 5/16NC x 4"	2
16	Z72221	Hex Lock Nut, 5/16NC	2

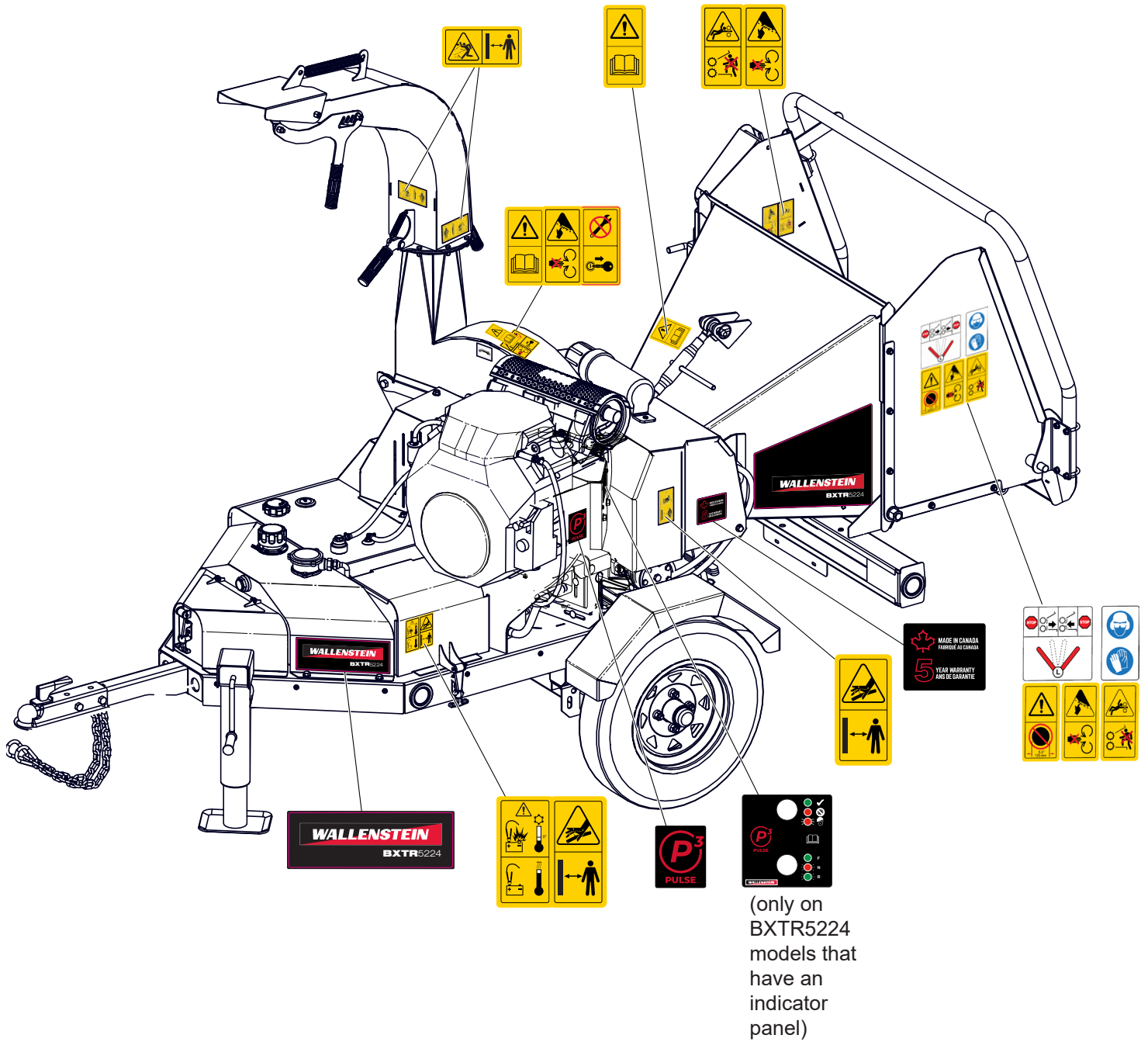
Decal Layout

IMPORTANT! If parts are replaced that have safety signs on them, new signs must be applied. Safety signs must always be replaced if they become damaged, are removed, or become illegible.

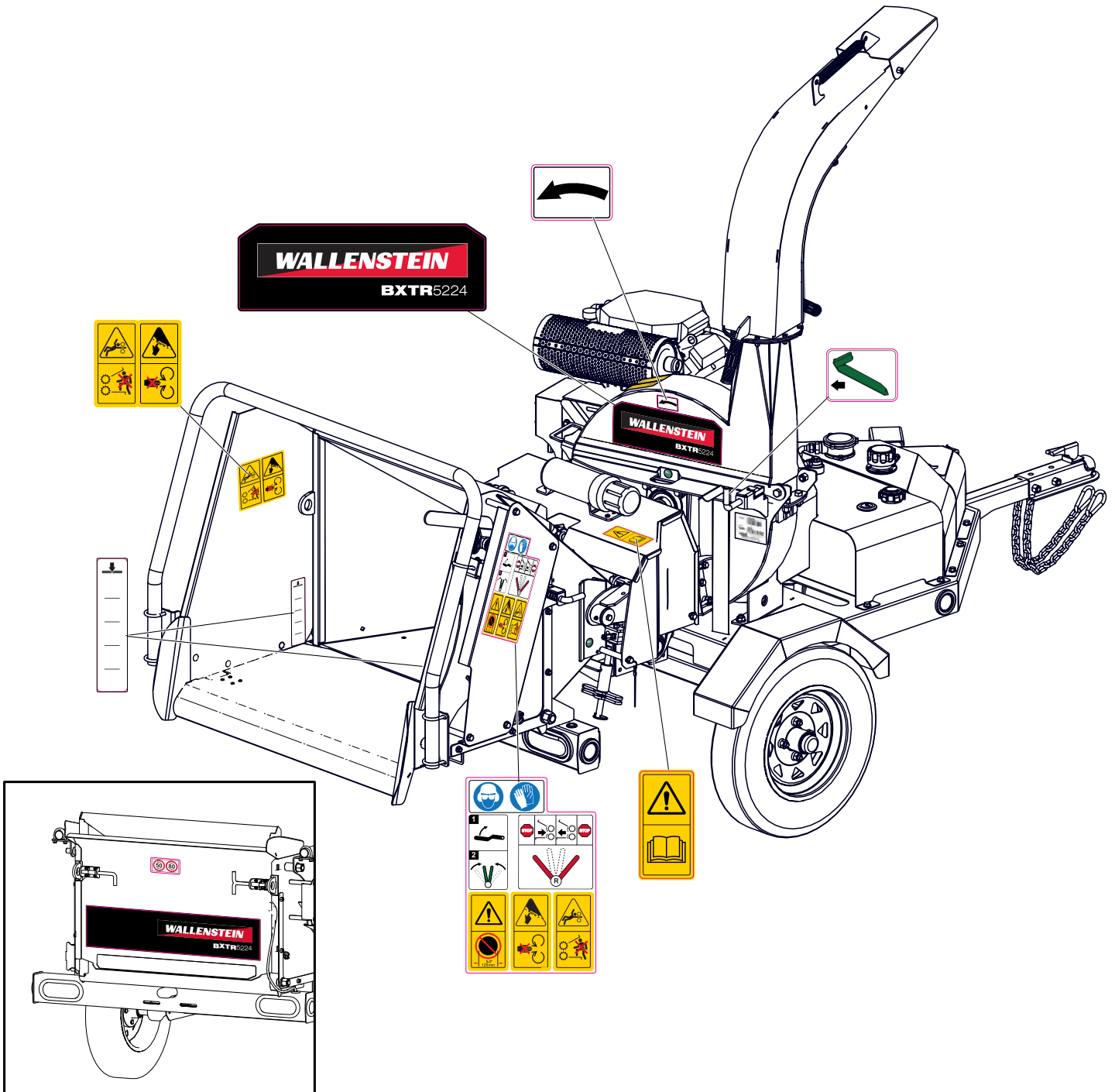
Safety signs are included in the product decal kit available from your authorized dealer. Decals are not available separately.



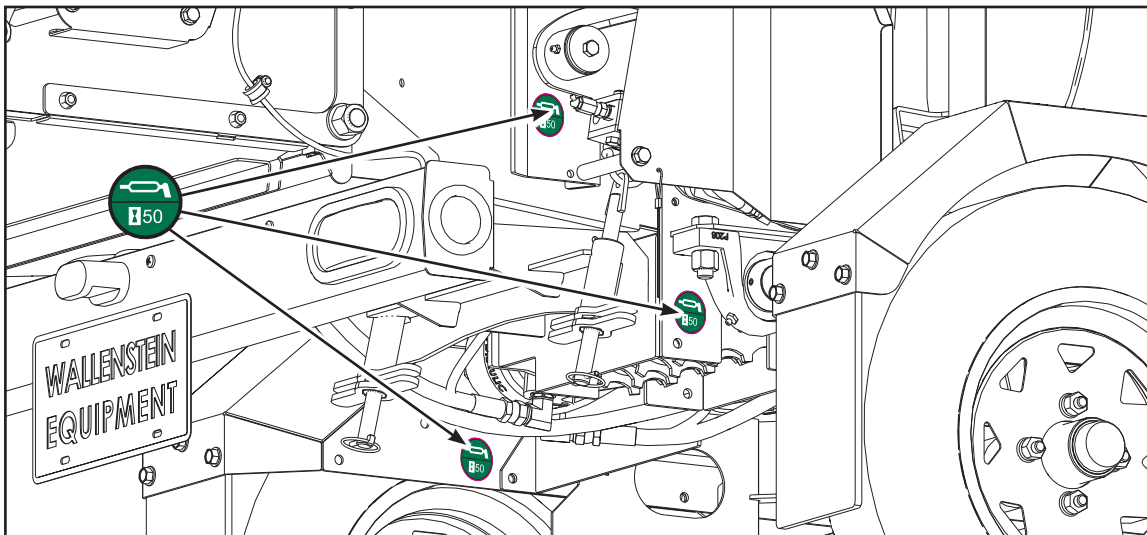
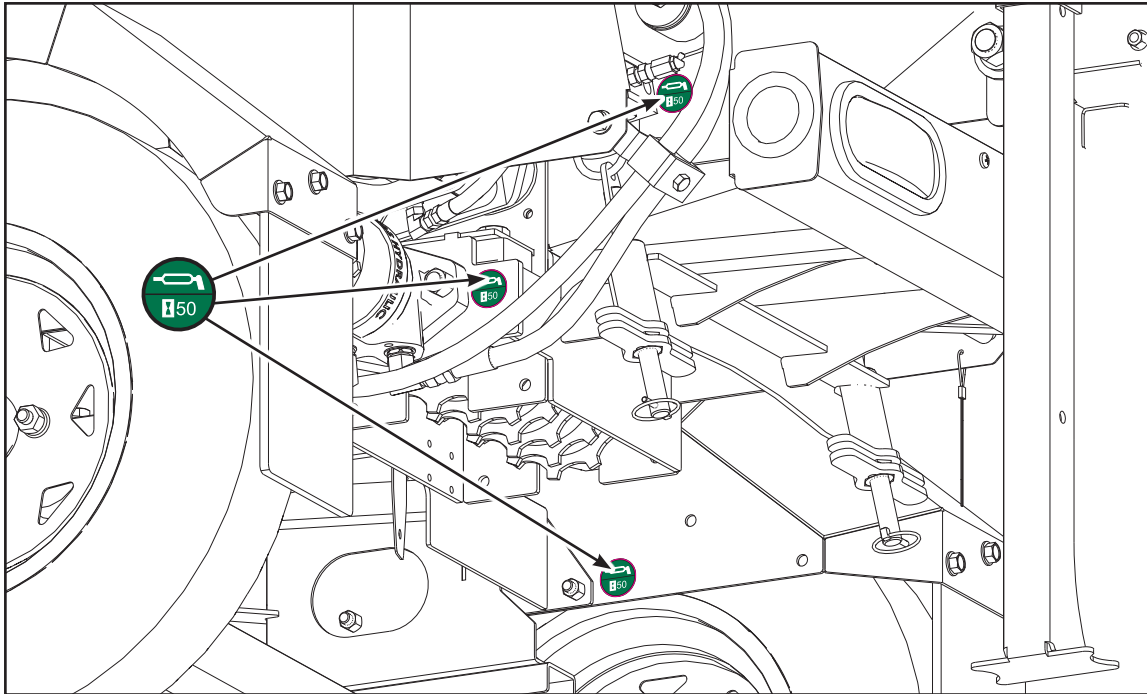
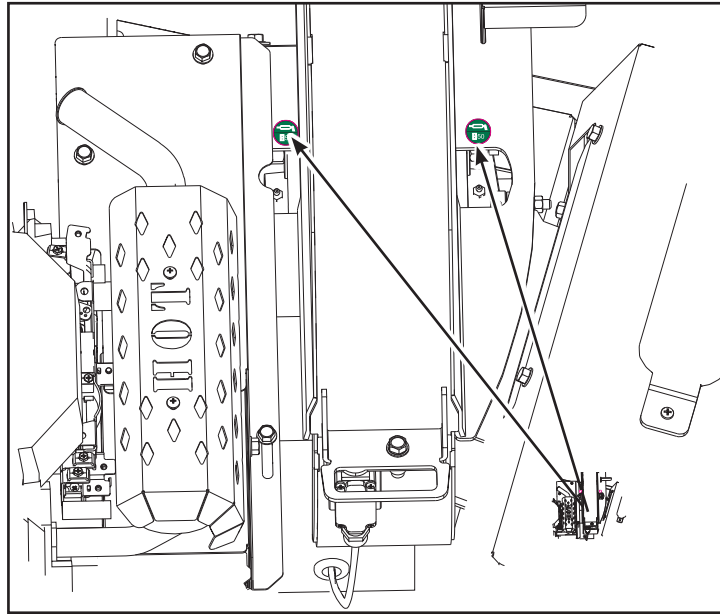
Decal Layout



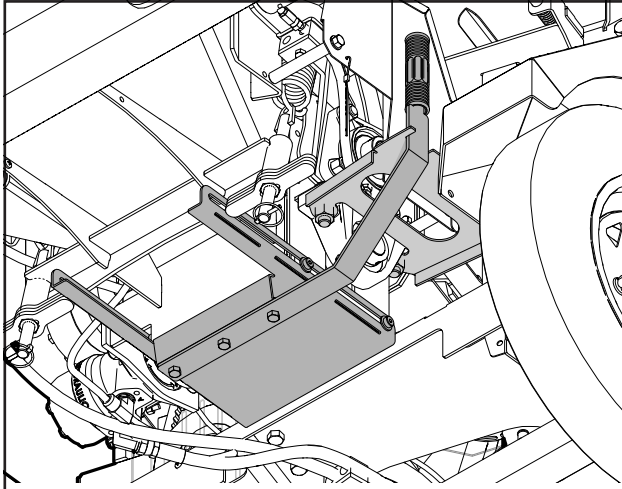
Decal Layout



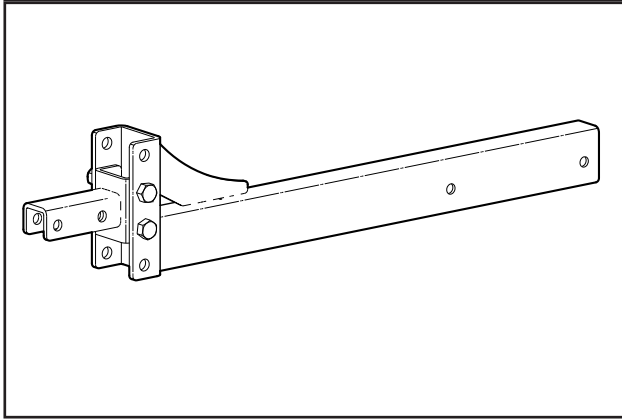
Decal Layout



Accessories



**Feed Roller Clean-out Tray Kit
P/N 1063A101**



**Ladder Hitch Kit
P/N 1063A102**

Call your dealer for pricing and availability


Bolt Torque

Checking Bolt Torque

The tables shown give correct torque values for various bolts and capscrews. Tighten all bolts to the torque values specified in the table, unless indicated otherwise. Check tightness of bolts periodically.

IMPORTANT! If replacing hardware, use fasteners of the same grade.

IMPORTANT! Torque figures indicated in the table are for non-greased or non-oiled threads. Do not grease or oil threads unless indicated otherwise. When using a thread locker, increase torque values by 5%.

 **NOTE:** Bolt grades are identified by their head markings.

Imperial Bolt Torque Specifications						
Bolt Diameter	Torque Value					
	SAE Gr. 2		SAE Gr. 5		SAE Gr. 8	
	lbf•ft	N•m	lbf•ft	N•m	lbf•ft	N•m
1/4"	6	8	9	12	12	17
5/16"	10	13	19	25	27	36
3/8"	20	27	33	45	45	63
7/16"	30	41	53	72	75	100
1/2"	45	61	80	110	115	155
9/16"	60	95	115	155	165	220
5/8"	95	128	160	215	220	305
3/4"	165	225	290	390	400	540
7/8"	170	230	420	570	650	880
1"	225	345	630	850	970	1320



SAE Gr. 2



SAE Gr. 5



SAE Gr. 8

Metric Bolt Torque Specifications				
Bolt Diameter	Torque Value			
	Gr. 8.8		Gr. 10.9	
	lbf•ft	N•m	lbf•ft	N•m
M3	0.4	0.5	1.3	1.8
M4	2.2	3	3.3	4.5
M6	7	10	11	15
M8	18	25	26	35
M10	37	50	52	70
M12	66	90	92	125
M14	83	112	116	158
M16	166	225	229	310
M20	321	435	450	610
M30	1,103	1 495	1,550	2 100



8.8



10.9

Hydraulic Fitting Torque

Tightening Flare Type Tube Fittings

1. Check flare and flare seat for defects that might cause leakage.
2. Align tube with fitting before tightening.
3. Hand-tighten swivel nut until snug.
4. To prevent twisting the tube, use two wrenches. Place one wrench on the connector body and tighten the swivel nut with the second. Torque to values shown.

If a torque wrench is not available, use the FFFT (Flats From Finger Tight) method.

Hydraulic Fitting Torque					
Tube Size OD	Hex Size Across Flats	Torque value		Flats From Finger Tight	
		lbf•ft	N•m	Flats	Turns
3/16	7/16	6	8	2	1/6
1/4	9/16	11–12	15–17	2	1/6
5/16	5/8	14–16	19–22	2	1/6
3/8	11/16	20–22	27–30	1-1/4	1/6
1/2	7/8	44–48	59–65	1	1/6
5/8	1	50–58	68–79	1	1/6
3/4	1-1/4	79–88	107–119	1	1/8
1	1-5/8	117–125	158–170	1	1/8

Values shown are for non-lubricated connections.

Wheel Lug Torque

It is extremely important safety procedure to apply and maintain proper wheel mounting torque on your trailer axle. Torque wrenches are the best method to assure the proper amount of torque is being applied to a fastener.

Wheel lugs should be torqued before first road use and after each wheel removal. Check and re torque after the first 10 miles (16 km), 25 miles (40 km), and again at 50 miles (80 km). Check periodically thereafter.

NOTE: *Wheel lugs must be applied and maintained at the proper torque levels to prevent loose wheels, broken studs, and possible dangerous separation of wheels from your axle.*

- Start all lugs by hand to prevent cross threading.
- Tighten lugs in sequence, per wheel lug torque sequence chart.
- The tightening of the fasteners should be done in stages. Following the recommended sequence, tighten fasteners per wheel torque requirements chart.

Wheel Lug Nut Torque				
Wheel Size	Units	1st Stage	2nd Stage	3rd Stage
8"	lbf•ft N•m	12–20 16–26	30–35 39–45.5	45–55 58.5–71.5
12"	lbf•ft N•m	20–25 26–32.5	35–40 45.5–52	50–60 65–78
13"	lbf•ft N•m	20–25 26–32.5	35–40 45.5–52	50–60 65–78
14"	lbf•ft N•m	20–25 26–32.5	50–60 65–78	90–120 117–156
15"	lbf•ft N•m	20–25 26–32.5	50–60 65–78	90–120 117–156
16"	lbf•ft N•m	20–25 26–32.5	50–60 65–78	90–120 117–156

Wheel Lug Torque Pattern

