



**BXMT3209 Chipper-Shredder  
Parts Manual  
S/N 1MT320940 to S/N 1MT320959**



## Foreword

EMB Mfg. has prepared this parts manual to assist customers in ordering quality OEM replacement parts.

Proper and regular service and replacing old, worn or broken parts with the correct Wallenstein parts are essential to prolonging the life of your Wallenstein product. Please refer to this manual before ordering any replacement parts.

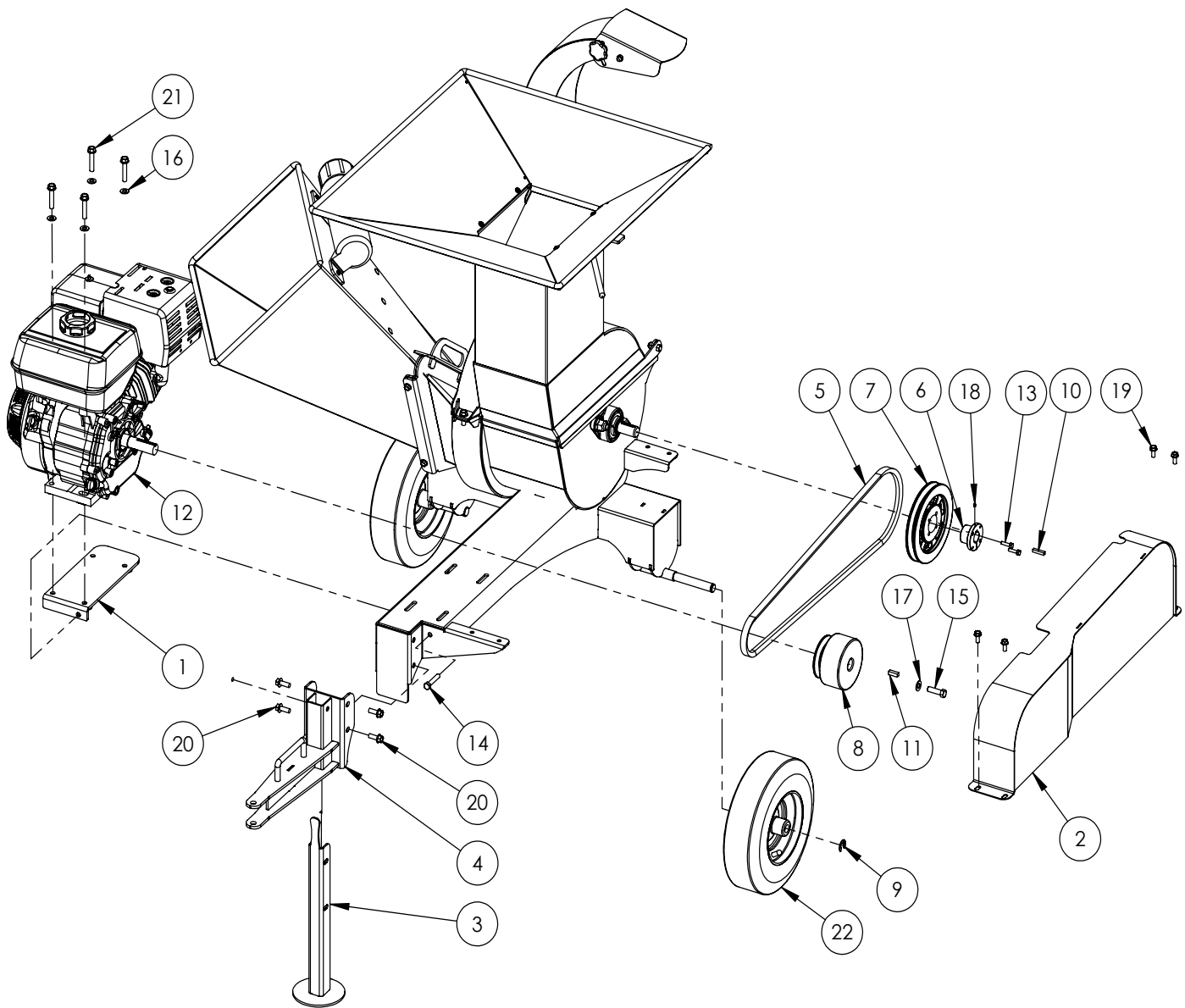
All information contained in this parts manual is based on the latest product specification available at the time of printing this manual. If your product differs from the specifications contained within this manual contact EMB Mfg. for information.

EMB reserves the right to alter specifications on their products at any time.

Reproduction of this parts manual of any kind is prohibited without prior written permission from EMB Mfg.

# Table of Contents

Main Parts	4
Rotor Housing	5
Rotor	6
Discharge Chute	7
Wiring Diagram	9
Decals	10

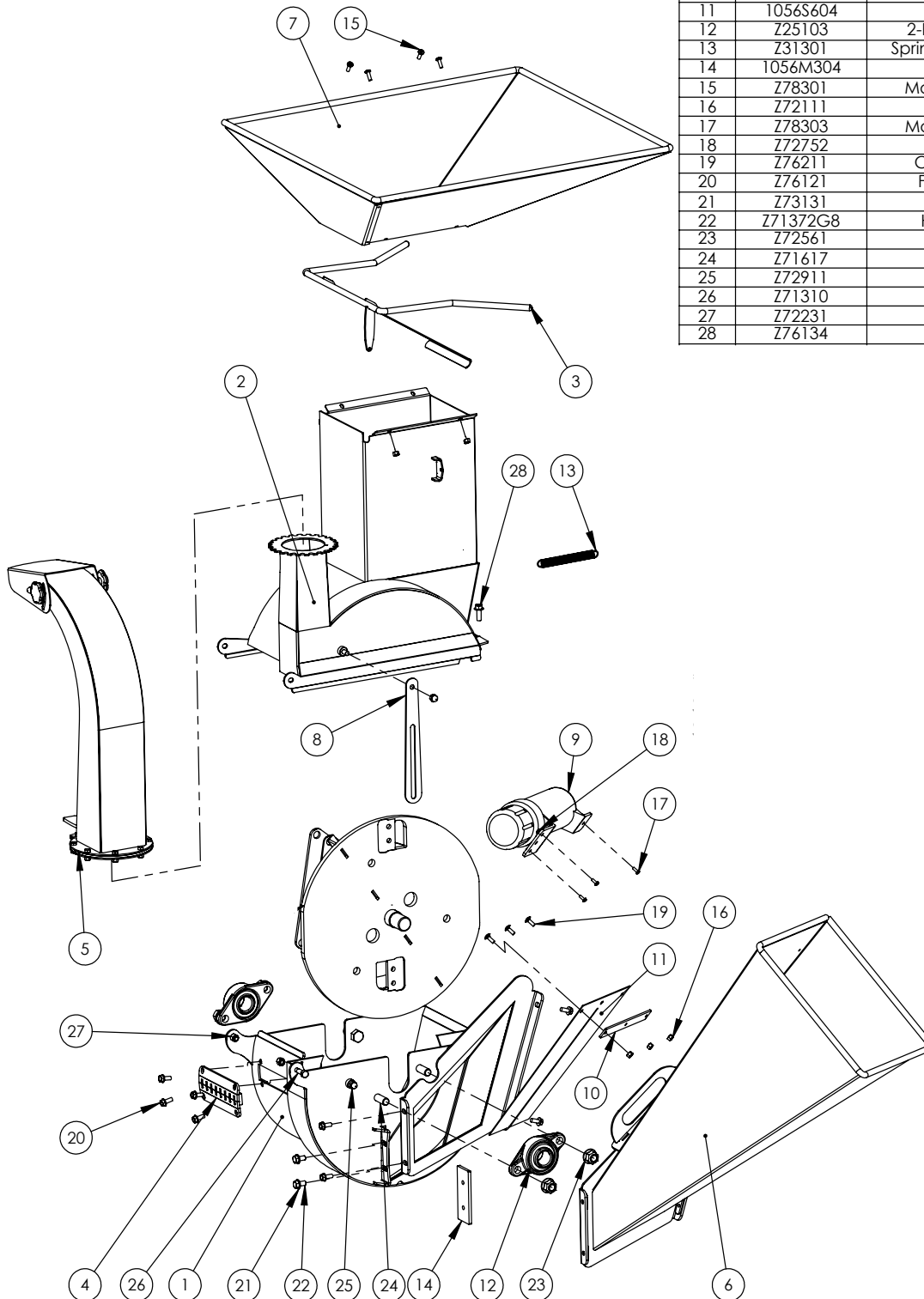


**BXMT3209 PARTS BREAKDOWN**

ITEM	PART NO.	DESCRIPTION	QTY
1	1056W611	Belt Tightener	1
2	1056W615	Shield	1
3	1057W701	Jack Stand	1
4	1057W702	Tongue Weldment	1
5	Z41160	Belt, "B" x 64	1
6	Z41510	"L" Bushing 1" Bore	1
7	Z41613	Sheave, 7.35P "L"	1
8	Z41803	Centrifugal Clutch, 3.9P	1
9	Z46203	External Retaining Ring, 3/4"	2
10	Z46534	Key 1/4 x 1/4 x 1-1/4	1
11	Z46542	Key 5/16 x 5/16 x 1	1
12	Z47135	Honda 9hp Engine	1
13	Z71110	Hex Bolt 1/4NC x 1	2
14	Z71320	Hex Bolt 3/8NC x 2	1
15	Z71472	Hex Bolt 7/16NF x 1-1/2	1
16	Z73131	Washer, 3/8	4
17	Z73140	Washer, 7/16	1
18	Z74102	Set Screw #10-24 x 1/4	1
19	Z76121	Flange Bolt 5/16NC x 3/4	4
20	Z76134	Flange Bolt, 3/8NC x 1	4
21	Z76135	Flange Bolt, 3/8NC x 2	4
22	Z91311	4.10-6 290# NHS Tire	2

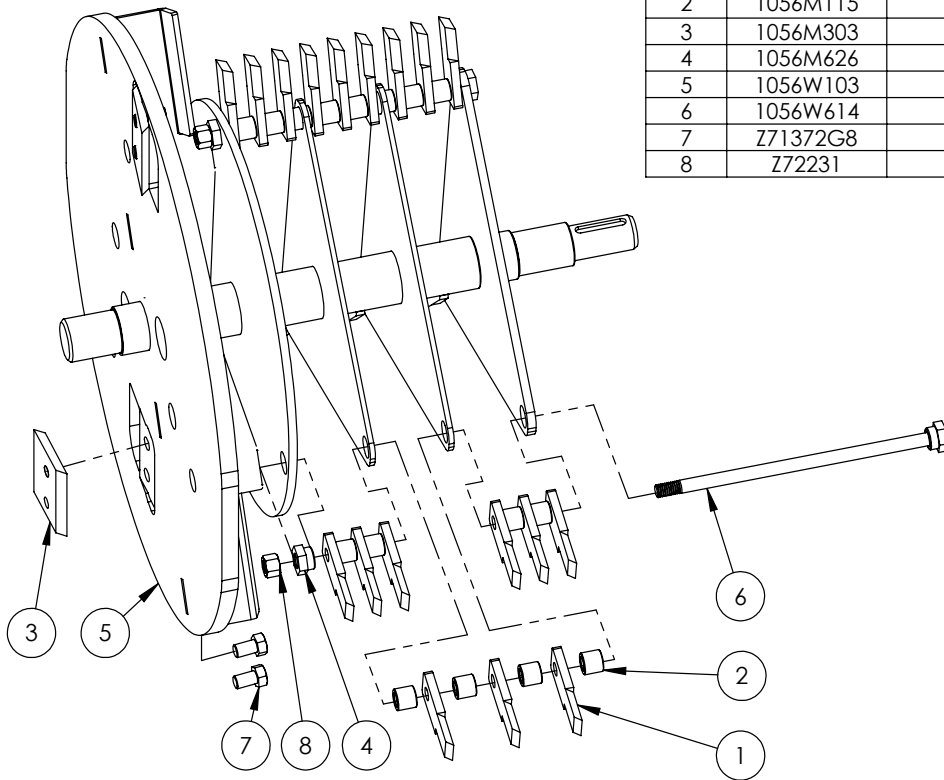
### BXMT 3209 & BXMT 3213 ROTOR HOUSING PARTS BREAKDOWN

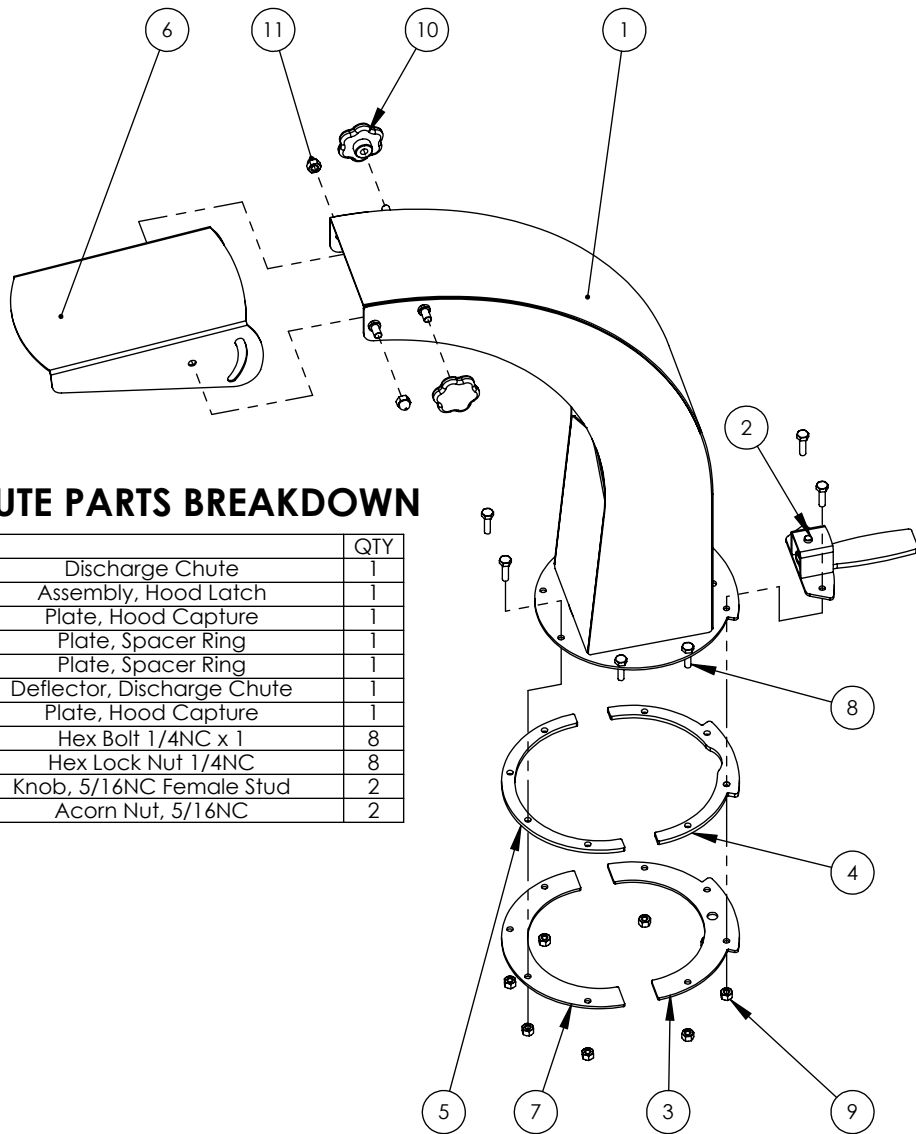
ITEM	PART NO.	DESCRIPTION	QTY
1	1056W101	Housing, Bottom Rotor	1
2	1056W102	Housing, Upper Rotor	1
3	1056W107	Shredder, Chute Flapper	1
4	1056W610	Concave	1
5	1056A301	Assembly, Discharge Chute	1
6	1018W107	Chipper Chute	1
7	1056W617	Hopper Shredder Top	1
8	1056L229	Positive Stop Plate	1
9	Z96503	Manual Tube 3-1/2 Short	1
10	1018L994	Chipper Chute Flap Clamp	1
11	1056S604	Flap, Hopper	1
12	Z25103	2-Bolt Flange Bearing, 1-1/4	2
13	Z31301	Spring 17mm x 140mm Medium	1
14	1056M304	Knife, 3' Ledger	1
15	Z78301	Machine Screw 1/4NC x 3/4	4
16	Z72111	Hex Lock Nut 1/4NC	7
17	Z78303	Machine Screw #10NF x 1/2	3
18	Z72752	Machine Nut, #10NF	3
19	Z76211	Carriage Bolt 1/4NC x 3/4	3
20	Z76121	Flange Bolt 5/16NC x 3/4	8
21	Z73131	Washer, 3/8	2
22	Z71372G8	Hex Bolt 3/8NF x 5/8 Gr8	2
23	Z72561	Flange Nut 5/8 NC	4
24	Z71617	Hex Bolt 5/8NC x 1-3/4	4
25	Z72911	Acorn Nut, 3/8NC	2
26	Z71310	Hex Bolt 3/8NC x 1	2
27	Z72231	Hex Lock Nut 3/8NC	2
28	Z76134	Flange Bolt, 3/8NC x 1	1



**BXM32 ROTOR PARTS BREAKDOWN**

ITEM	PART NO.	Description	QTY.
1	1056M108	Knife,Shredder	27
2	1056M115	Spacer, Shredder .580	24
3	1056M303	Knife, 3" Rotor	2
4	1056M626	Retainer Rod Head	3
5	1056W103	Rotor	1
6	1056W614	Hammer Retainer Pin	3
7	Z71372G8	Hex Bolt, 3/8NF x 5/8 G8	4
8	Z72231	Hex Lock Nut 3/8NC	3





**DISCHARGE CHUTE PARTS BREAKDOWN**

ITEM	PART NO.		QTY
1	1016W006	Discharge Chute	1
2	1012W208	Assembly, Hood Latch	1
3	1016L030	Plate, Hood Capture	1
4	1016L029	Plate, Spacer Ring	1
5	1016L027	Plate, Spacer Ring	1
6	1016L033	Deflector, Discharge Chute	1
7	1016L034	Plate, Hood Capture	1
8	Z71110	Hex Bolt 1/4NC x 1	8
9	Z72111	Hex Lock Nut 1/4NC	8
10	Z19313	Knob, 5/16NC Female Stud	2
11	Z72914	Acorn Nut, 5/16NC	2

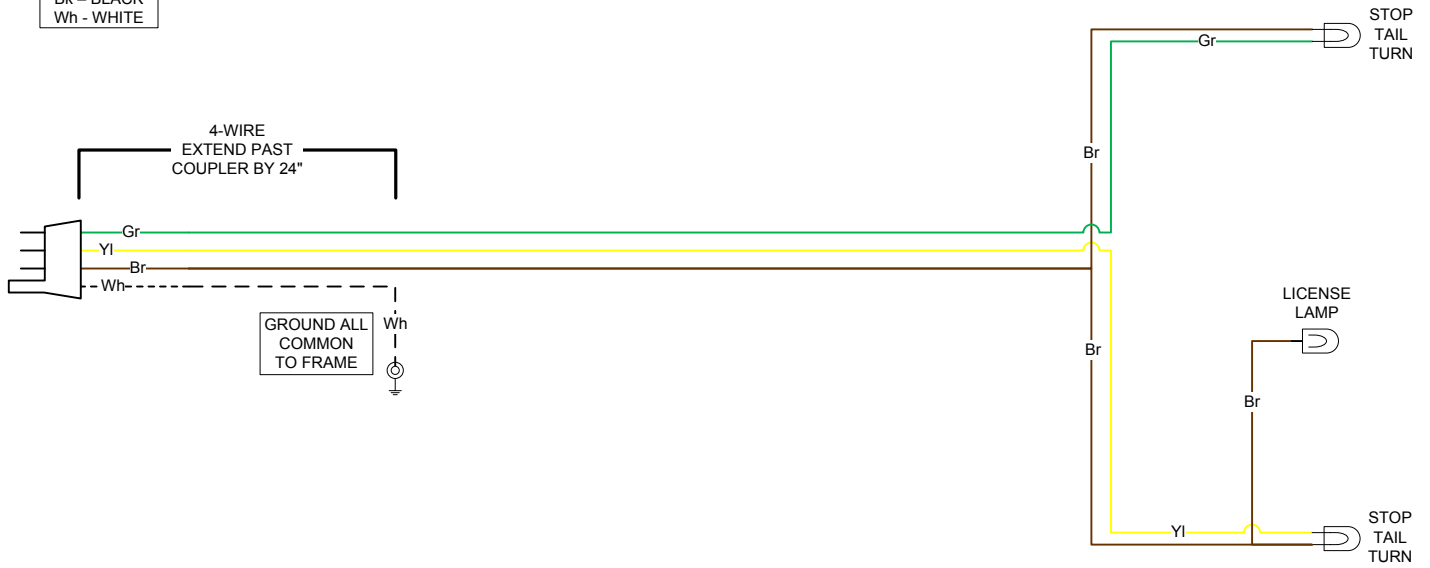
This Page is Intentionally Blank



# BXMT3209 WIRING

RIGHT SIDE

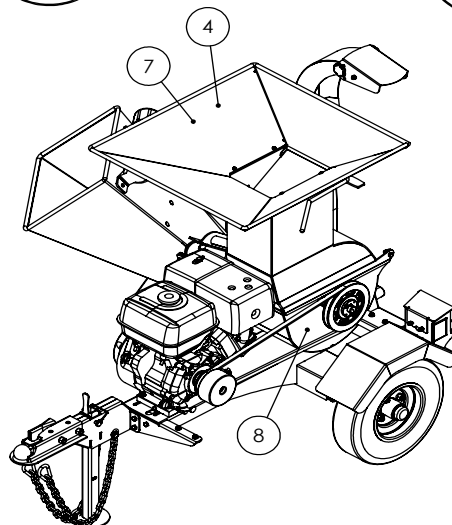
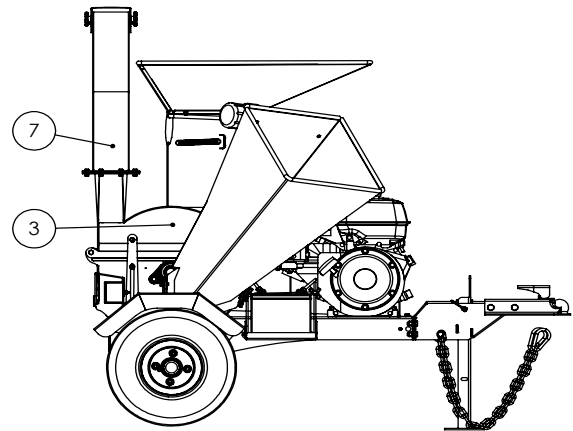
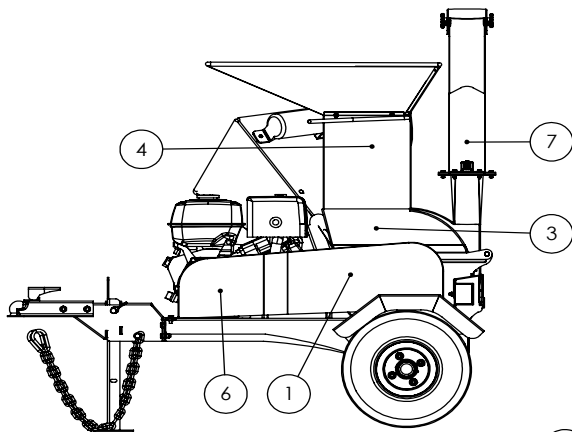
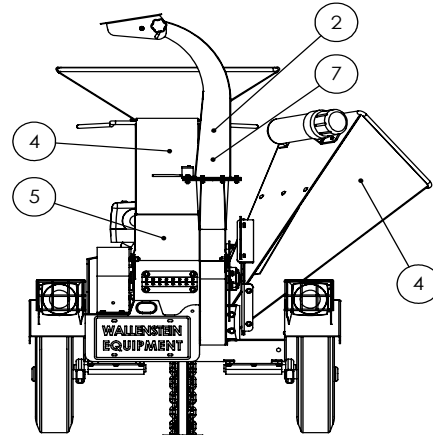
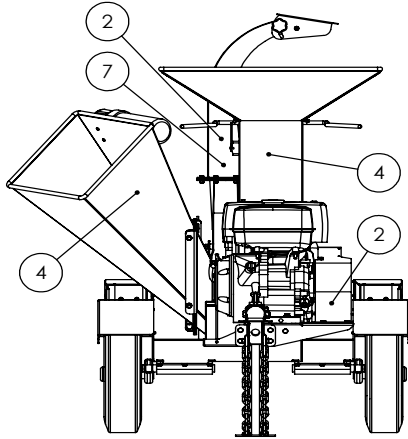
KEY	
Bl	BLUE
Br	BROWN
Gr	GREEN
Rd	RED
Yl	YELLOW
Bk	BLACK
Wh	WHITE



LEFT SIDE

### BXMT3209 DECAL BREAKDOWN

ITEM	PART NO.	DESCRIPTION	QTY
1	Z94056	WALLENSTEIN Decal	1
2	Z94019	1" Dia. Made In Canada	3
3	Z94062	BXMT3209 Decal	2
4	Z94007	DANGER - Rotating Blades	6
5	Z94006	CAUTION - Read Manual	1
6	Z94012	WARNING - Rotating Part Hazard	1
7	Z94008	DANGER - Thrown Object Hazard	5
8	Z94013	DANGER - Missing Guard	1



# Decals BMXT3209

Z94006

Z94056



Z94062



Z94019



Z94007



Z94013



Z94012



Z94008





**WALLENSTEIN Products Manufactured by:**

**EMB MFG Inc.**

4144 Boomer Line  
St. Clements, Ontario  
Canada N0B 2M0  
Phone: 1-877-695-9283  
Fax: 519-699-4146  
[www.embmfg.com](http://www.embmfg.com)