



BXM32 Chipper Parts Manual

S/N 1M32330 to 1M32410



Foreword

EMB Mfg. has prepared this parts manual to assist customers in ordering quality OEM replacement parts.

Proper and regular service and replacing old, worn or broken parts with the correct OEM parts are essential to prolonging the life of your EMB product. Please refer to this manual before ordering any replacement parts.

All information contained in this parts manual is based on the latest product specification available at the time of printing this manual. If your product differs from the specifications contained within this manual contact EMB Mfg. for information.

EMB reserves the right to alter specifications on their products at any time.

Reproduction of this parts manual of any kind is prohibited without prior written permission from EMB Mfg.

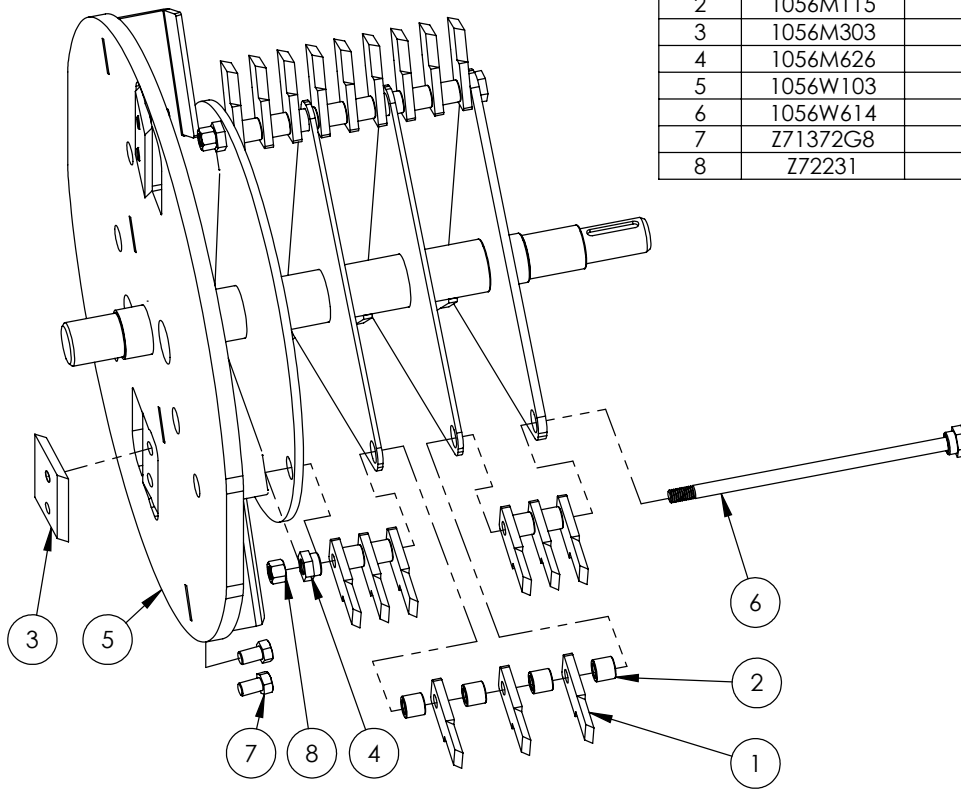
Table of Contents

Rotor Parts Breakdown	5
Main Parts Breakdown	7
Driveline Parts Breakdown	8
Discharge Chute Parts Breakdown	9
Binacchi PTO Parts Breakdown	10
Decal Breakdown	12

This Page is Intentionally Blank

BXM32 ROTOR PARTS BREAKDOWN

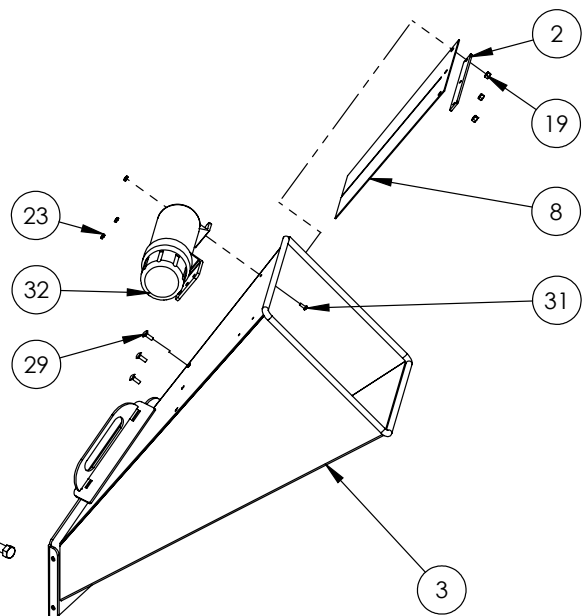
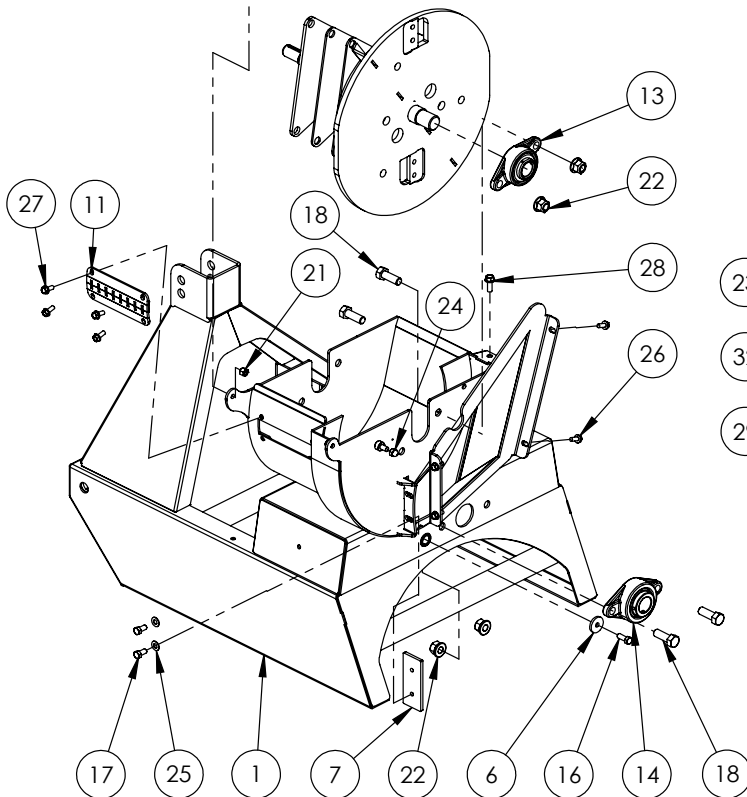
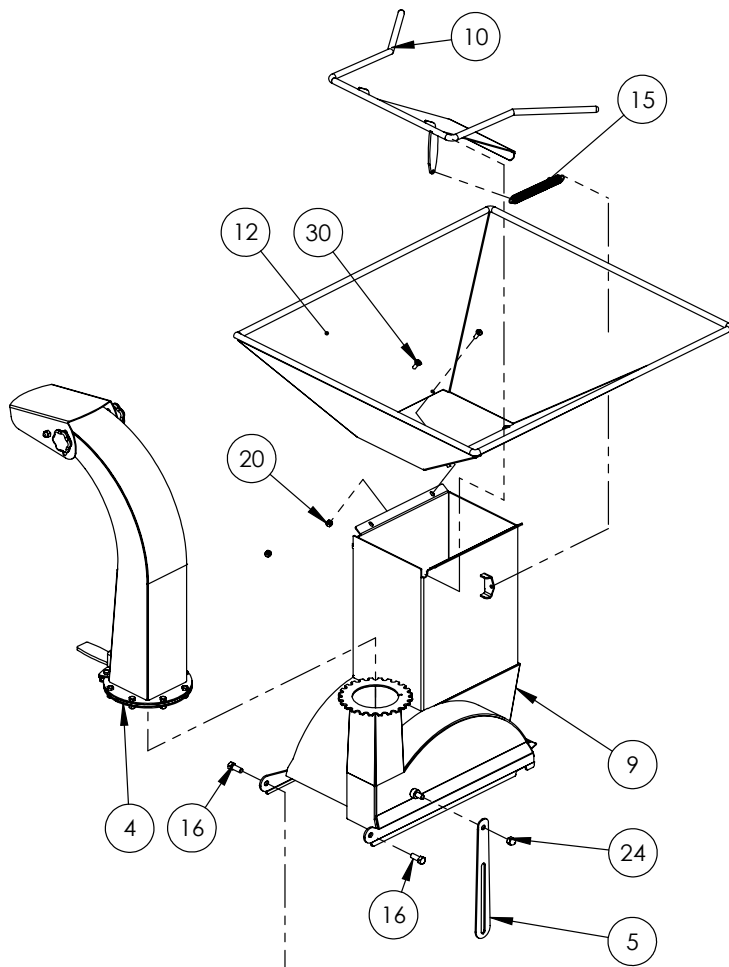
ITEM	PART NO.	Description	QTY.
1	1056M108	Knife,Shredder	27
2	1056M115	Spacer, Shredder .580	24
3	1056M303	Knife, 3" Rotor	2
4	1056M626	Retainer Rod Head	3
5	1056W103	Rotor	1
6	1056W614	Hammer Retainer Pin	3
7	Z71372G8	Hex Bolt, 3/8NF x 5/8 G8	4
8	Z72231	Hex Lock Nut 3/8NC	3



This Page is Intentionally Blank

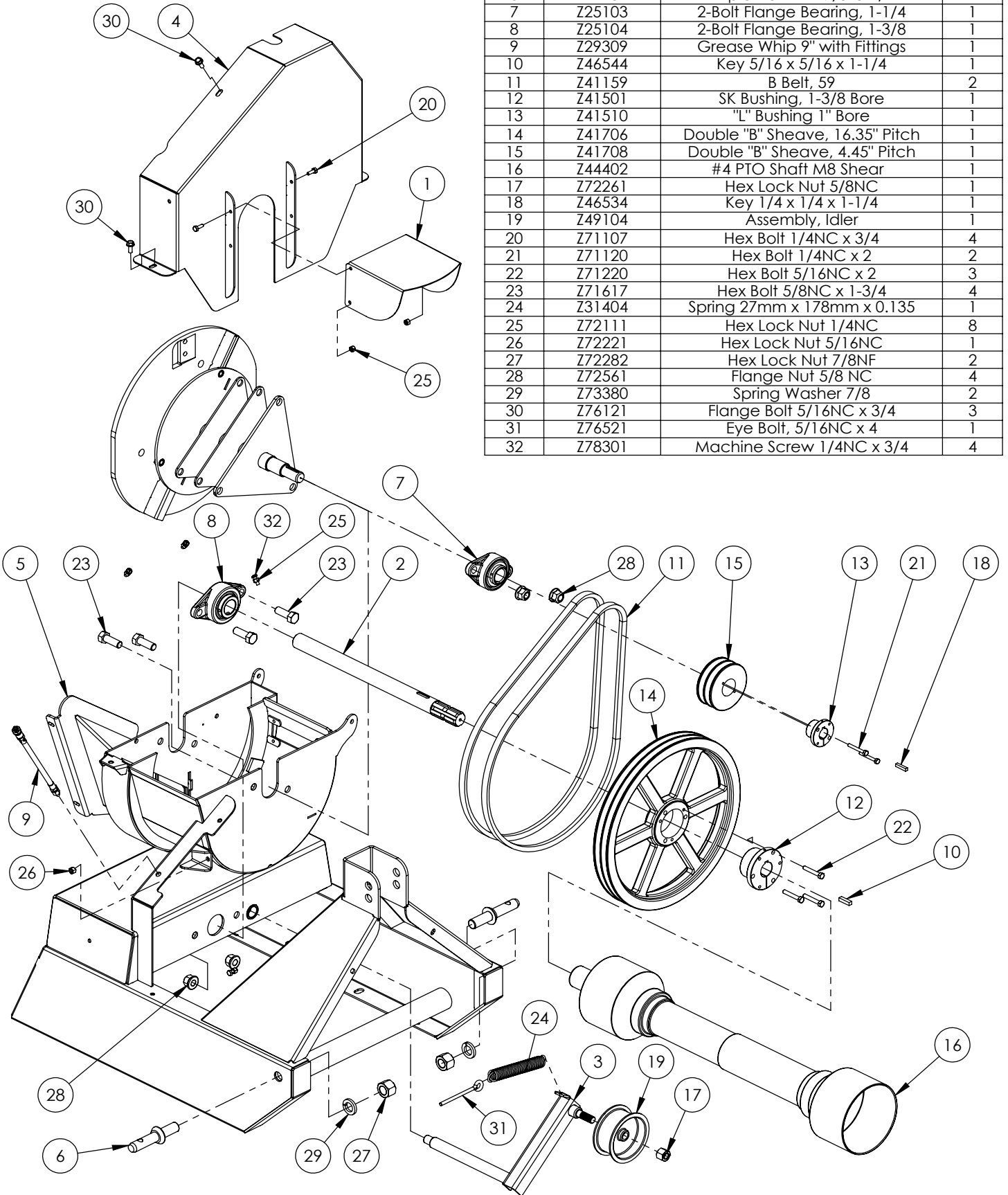
BXM32 MAIN PARTS BREAKDOWN

ITEM	PART NO.	Description	QTY.
1	1017W720	Housing, Bottom Rotor	1
2	1018L994	Chipper Chute Flap Clamp	1
3	1018W107	Chipper Chute	1
4	1056A302	Assembly, Discharge Chute	1
5	1056L229	Positive Stop Plate	1
6	1056L968	Washer, Idler Capture	1
7	1056M304	Knife, 3" Ledger	1
8	1056S604	Flap, Hopper	1
9	1056W102	Housing, Upper Rotor	1
10	1056W107	Shredder, Chute Flapper	1
11	1056W610	Concave	1
12	1056W617	Hopper Shredder Top	1
13	Z25103	2-Bolt Flange Bearing, 1-1/4	1
14	Z25104	2-Bolt Flange Bearing, 1-3/8	1
15	Z31301	Spring 17mm x 140mm Medium	1
16	Z71310	Hex Bolt 3/8NC x 1	3
17	Z71373G8	Hex Bolt 3/8NF x 3/4 Gr8	2
18	Z71617	Hex Bolt 5/8NC x 1-3/4	4
19	Z72111	Hex Lock Nut 1/4NC	3
20	Z72111	Hex Lock Nut 1/4NC	4
21	Z72231	Hex Lock Nut 3/8NC	2
22	Z72561	Flange Nut 5/8 NC	4
23	Z72752	Machine Nut, #10NF	3
24	Z72911	Acorn Nut, 3/8NC	2
25	Z73131	Washer, 3/8	2
26	Z76121	Flange Bolt 5/16NC x 3/4	4
27	Z76121	Flange Bolt 5/16NC x 3/4	4
28	Z76134	Flange Bolt, 3/8NC x 1	1
29	Z76211	Carriage Bolt 1/4NC x 3/4	3
30	Z78301	Machine Screw 1/4NC x 3/4	4
31	Z78303	Machine Screw #10NF x 1/2	3
32	Z96503	Manual Tube 3-1/2 Short	1



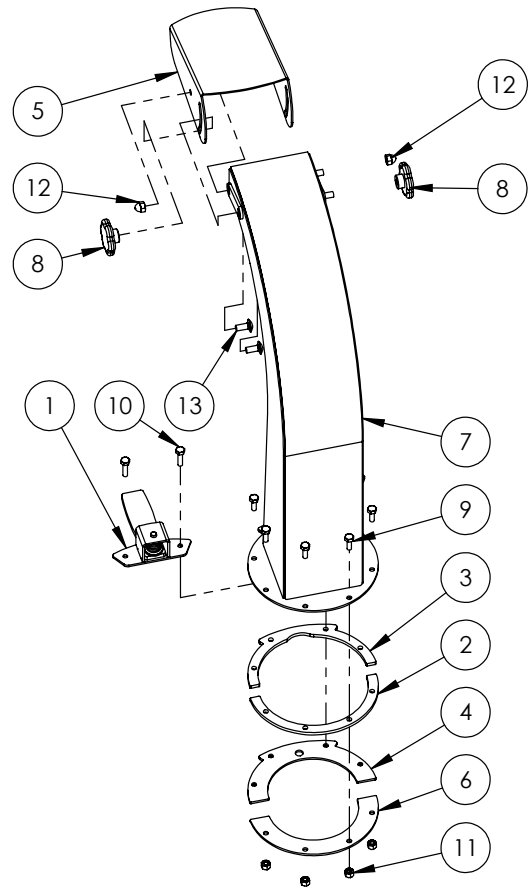
BXM32 DRIVELINE PARTS BREAKDOWN

ITEM	PART NO.	Description	QTY.
1	1017L718	PTO Cover	1
2	1017M702	Shaft, Splined	1
3	1017W701	Idler Arm	1
4	1017W702	Shield	1
5	1017W720	Housing, Bottom Rotor	1
6	Z11431	Implement Pin 7/8x5-1/2	2
7	Z25103	2-Bolt Flange Bearing, 1-1/4	1
8	Z25104	2-Bolt Flange Bearing, 1-3/8	1
9	Z29309	Grease Whip 9" with Fittings	1
10	Z46544	Key 5/16 x 5/16 x 1-1/4	1
11	Z41159	B Belt, 59	2
12	Z41501	SK Bushing, 1-3/8 Bore	1
13	Z41510	"L" Bushing 1" Bore	1
14	Z41706	Double "B" Sheave, 16.35" Pitch	1
15	Z41708	Double "B" Sheave, 4.45" Pitch	1
16	Z44402	#4 PTO Shaft M8 Shear	1
17	Z72261	Hex Lock Nut 5/8NC	1
18	Z46534	Key 1/4 x 1/4 x 1-1/4	1
19	Z49104	Assembly, Idler	1
20	Z71107	Hex Bolt 1/4NC x 3/4	4
21	Z71120	Hex Bolt 1/4NC x 2	2
22	Z71220	Hex Bolt 5/16NC x 2	3
23	Z71617	Hex Bolt 5/8NC x 1-3/4	4
24	Z31404	Spring 27mm x 178mm x 0.135	1
25	Z72111	Hex Lock Nut 1/4NC	8
26	Z72221	Hex Lock Nut 5/16NC	1
27	Z72282	Hex Lock Nut 7/8NF	2
28	Z72561	Flange Nut 5/8 NC	4
29	Z73380	Spring Washer 7/8	2
30	Z76121	Flange Bolt 5/16NC x 3/4	3
31	Z76521	Eye Bolt, 5/16NC x 4	1
32	Z78301	Machine Screw 1/4NC x 3/4	4

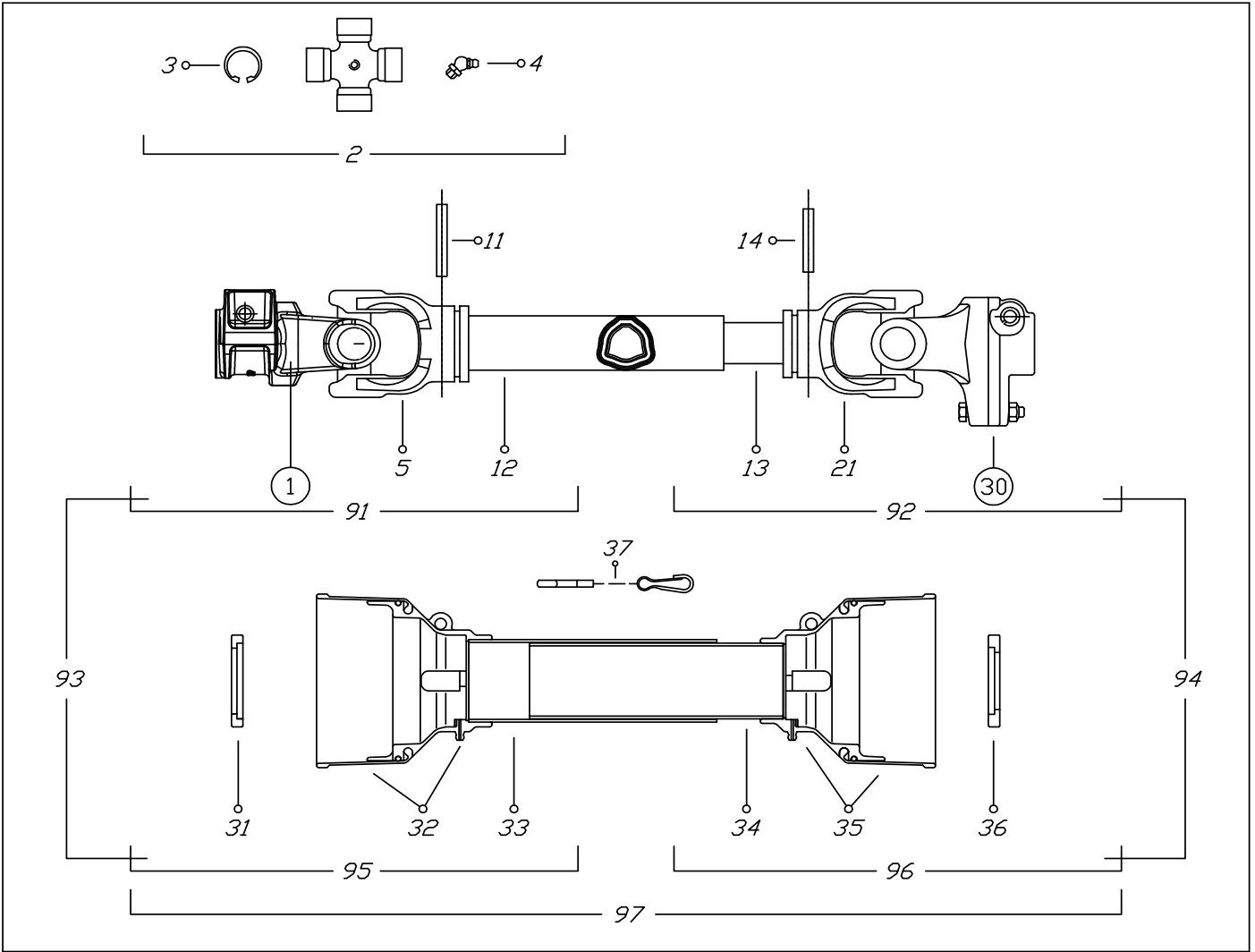


1056A302 PARTS BREAKDOWN

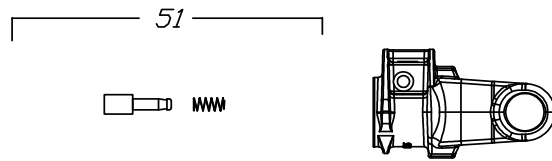
ITEM	PART NO.	Description	QTY.
1	1012W208	Assembly, Hood Latch	1
2	1056L327	Ring	1
3	1056L329	Plate, Spacer Ring	1
4	1056L330	Plate, Hood Closure	1
5	1056L333	Deflector, Discharge Chute	1
6	1056L334	Ring	1
7	1056W307	Discharge Chute	1
8	Z19313	Knob, 5/16NC Female Stud	2
9	Z71107	Hex Bolt 1/4NC x 3/4	6
10	Z71110	Hex Bolt 1/4NC x 1	2
11	Z72111	Hex Lock Nut 1/4NC	8
12	Z72914	Acorn Nut, 5/16NC	2
13	Z76221	Carriage Bolt 5/16NC x 3/4	4



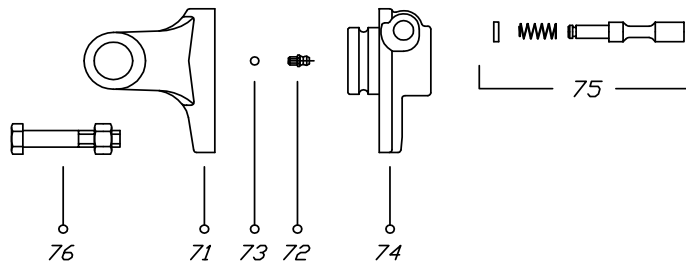
Binacchi PTO Parts Breakdown



①



③①



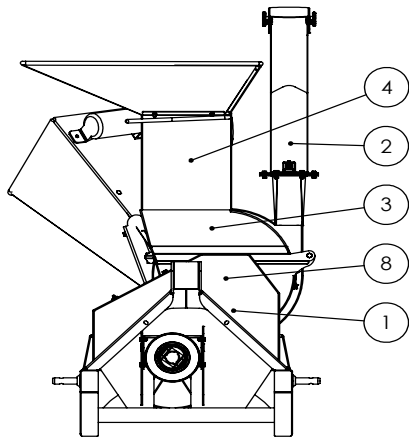
Binacchi PTO Parts List

BINACCHI PTO SPARE PARTS LIST : B5090E098002			
POS.	DESCRIPTION	Q.	PART #
01	YOKE	1	0800503
02	CROSS JOURNAL ASSY	2	08205
03	CIRCLIP	8	09802030
04	GREASE NIPPLE	2	09840081002
05	OUTER TUBE YOKE	1	08005021
11	FLEXIBLE PIN	1	098700870
12	CM. 100 CARDAN TUBE(*)	1	09881523100
13	CM. 100 CARDAN TUBE(*)	1	09881454100
14	FLEXIBLE PIN	1	098700865
21	INNER TUBE YOKE	1	08005011
30	SHEAR BOLT	1	08805A604633
31	O.BEARING	1	0265150007
32	O.BASIC CONE	1	0256050324
33	OUTER SAFETY TUBE	1	0988981B5090
34	INNER SAFETY TUBE	1	0988975B5090
35	I.BASIC CONE	1	0256050325
36	I.BEARING	1	0265150008
37	CHAIN	1	0252000001
51	COMPLETE PUSH BUTTTON	1	0986014047
71	YOKE FOR LB5	1	08896905
72	GREASE NIPPLE	1	0984010150
73	STEEL BALL	23	098680104
74	HUB	1	088965A60
75	PUSH PIN SET	1	0986014075
76	NUT AND BOLT M10 X 1.5 X 55 10.9	1	Z19407 (5 PACK)
91	OUTER HALF SHAFT	1	B509002
92	INNER HALF SHAFT	1	B509001098002
93	OUTER HALF SHAFT	1	B5090E2
94	INNER HALF SHAFT	1	B5090E1098002
95	OUTER HALF SAFETY GUARD	1	083E050902
96	INNER HALF SAFETY GUARD	1	083E050901
97	SAFETY GUARD	1	083E05090

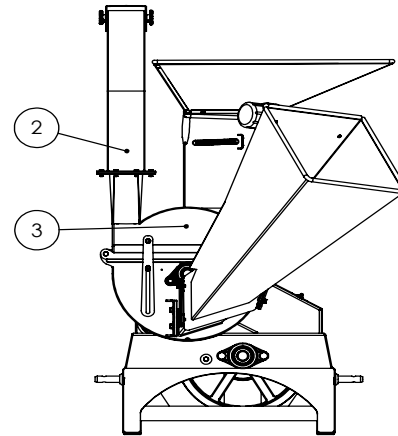
Note: Always check brand of PTO shaft when ordering PTO parts. For other brands then the Binacchi shafts shown above please call the factory @ 877-695-9283.

BXM32 DECAL BREAKDOWN

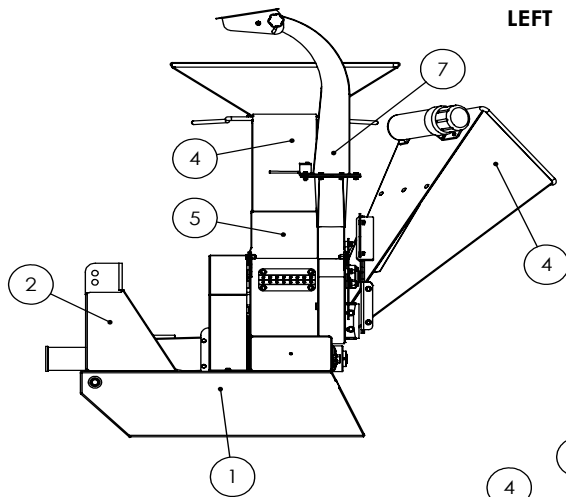
ITEM	PART NO.	DESCRIPTION	QTY
1	Z94056	WALLENSTEIN Decal	3
2	Z94019	1" Dia. Made In Canada	4
3	Z94060	BXM32 WALLENSTEIN	2
4	Z94007	DANGER - Rotating Blades	5
5	Z94006	CAUTION - Read Manual	1
6	Z94009	DANGER - Rotating Driveline Hazard	1
7	Z94008	DANGER - Thrown Object Hazard	3
8	Z94012	WARNING - Rotating Part Hazard	2
9	Z94013	DANGER - Missing Guard	2



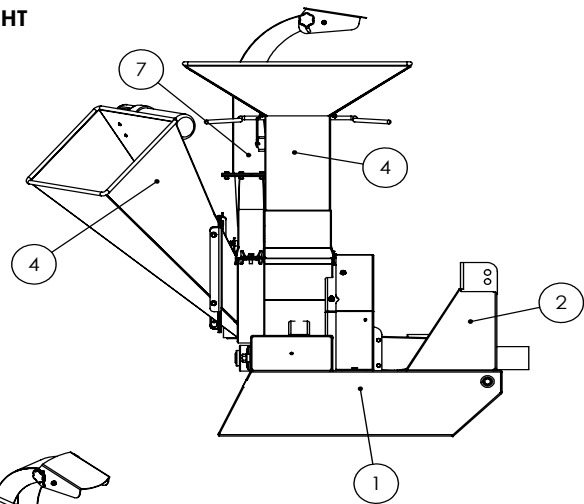
FRONT



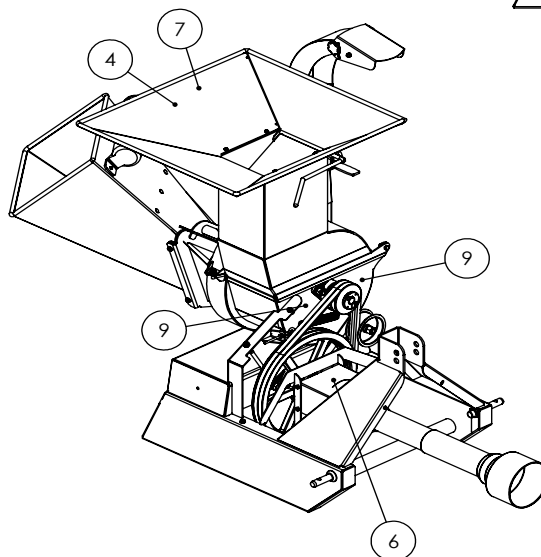
BACK



LEFT



RIGHT



Decals BXM32

Z94056



Z94060



Z94019



Z94006



Z94007



Z94012



Z94009



Z94013

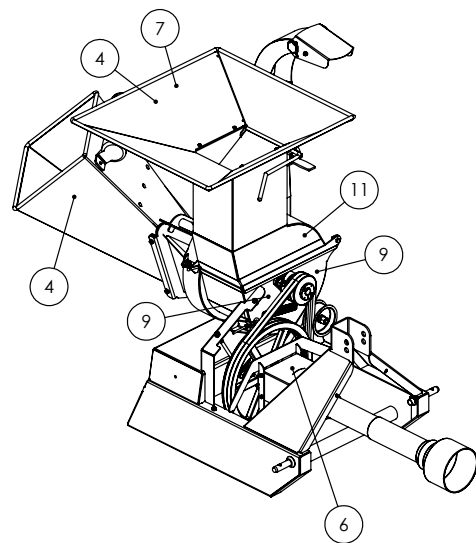
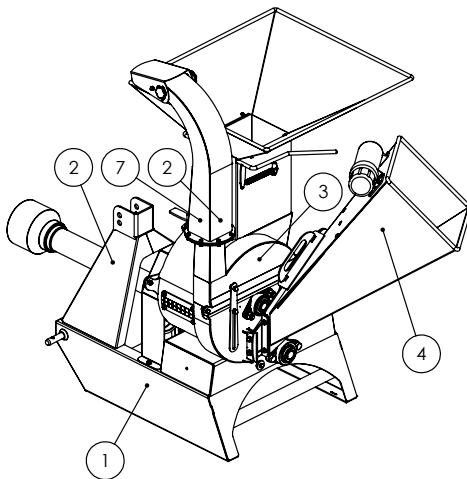
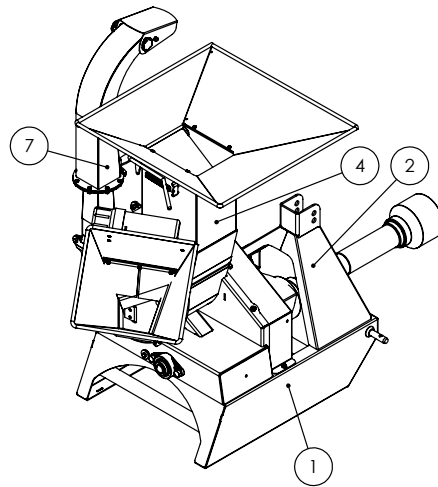
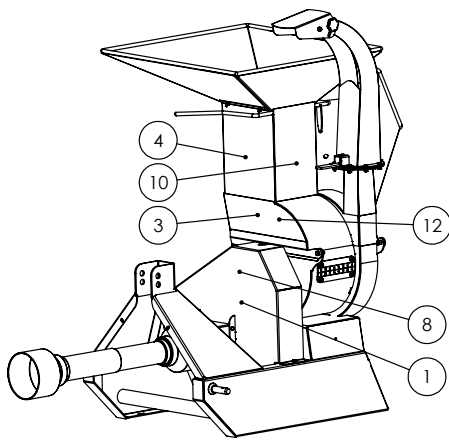


Z94008



BXM32 TWO PANEL DECAL BREAKDOWN

ITEM	PART NO.	DESCRIPTION	QTY
1	Z94056	WALLENSTEIN Decal	3
2	Z94019	1" Dia. Made In Canada	3
3	Z94060	BXM32 WALLENSTEIN	2
4	Z94120	DANGER - Rotating Blades	5
5	Z94119	CAUTION - Read Manual	1
6	Z94118	DANGER - Rotating Driveline Hazard	1
7	Z94117	DANGER - Thrown Object Hazard	3
8	Z94116	WARNING - Rotating Part Hazard	1
9	Z94127	DANGER - Missing Guard	2
10	Z94143	121 dB Noise Level	1
11	Z94144	RH Rotation	1
12	Z94145	LH Rotation	1



Two Panel Decals BXM32

Z94060



Z94019



Z94056



Z94143



Z94116



Z94118



Z94144



Z941445



Z94117



Z94127



Z94119



Z94120





WALLENSTEIN Products Manufactured by:

EMB MFG Inc.

4144 Boomer Line
St. Clements, Ontario
Canada N0B 2M0
Phone: 1-877-695-9283
Fax: 519-699-4146
www.embmfg.com