

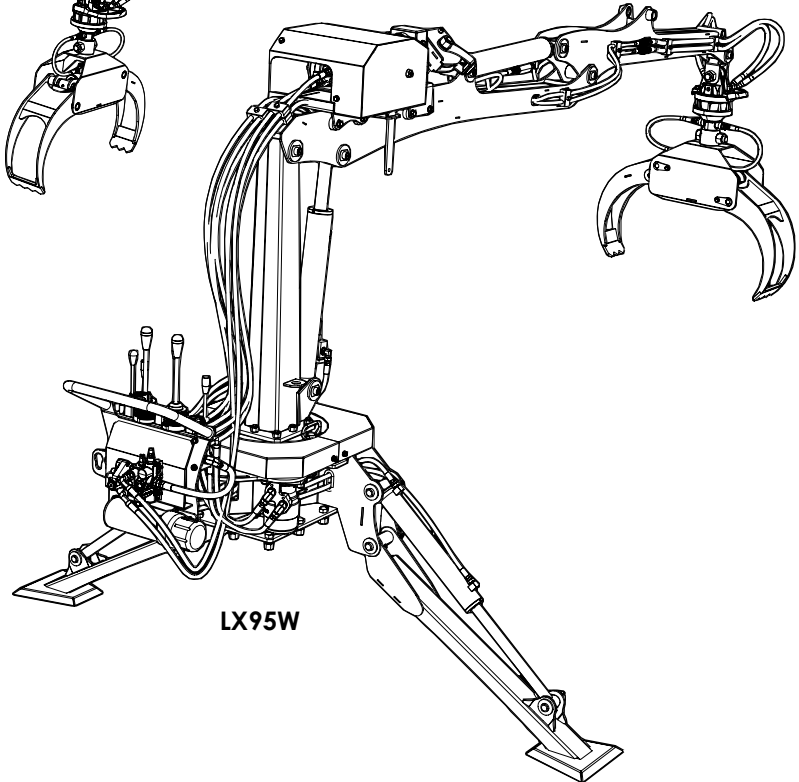
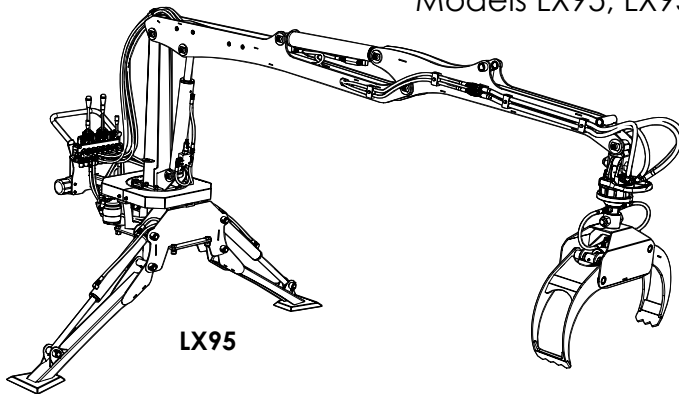


EMB Manufacturing Inc.
4144 Boomer Line · St. Clements, On · N0B 2M0 · Canada
Ph: (519) 699-9283 · Fax: (519) 699-4146
www.embmfg.com

LX95 Timber Talon Grapple Parts Manual

S/N 95X1 through 9X34

Models LX95, LX95W & LX95PW



Foreword

EMB Mfg. has prepared this parts manual to assist customers in ordering quality OEM replacement parts.

Proper and regular service and replacing old, worn or broken parts with the correct OEM parts are essential to prolonging the life of your EMB product. Please refer to this manual before ordering any replacement parts.

All information contained in this parts manual is based on the latest product specification available at the time of printing this manual. If your product differs from the specifications contained within this manual contact EMB Mfg. for information.

EMB reserves the right to alter specifications on their products at any time.

Reproduction of this parts manual of any kind is prohibited without prior written permission from EMB Mfg.



Refer to the operators
manual for safe opera-
tion and maintenance

For parts and information please contact your dealer. If your dealer is no longer available please go to our website: <http://www.embmfg.com> and click on "FIND A DEALER NEAR YOU" for information on a local dealer.

Table of Contents

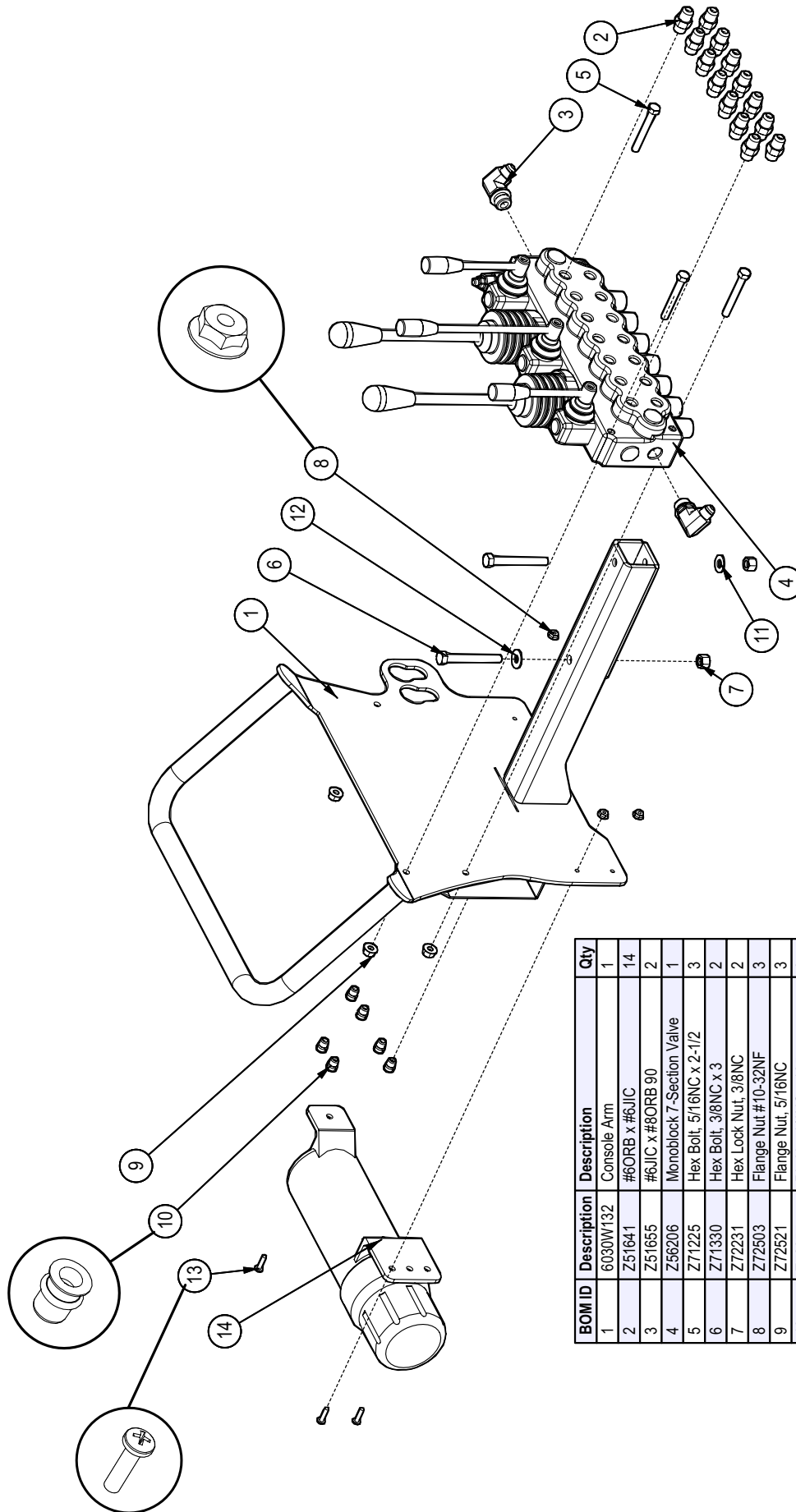
Contents	
LX95 / LT30 VARIATION CHART	3
CONTROL PANEL ASS'Y	4
STABILIZER ASS'Y.....	5
SLEW HOUSING ASS'Y	6
MAIN TOWER ASS'Y.....	7
MAIN TOWER BEARING ASS'Y	8
MAIN BOOM ASS'Y	9
DIPPER BOOM ASS'Y.....	10
GRAPPLE ASS'Y	11
OUTSIDE GRAPPLE ASSEMBLY	11
POWER PACK ENGINE / PUMP	12
POWER PACK TANK AND HYDRAULIC LINE ASS'Y	13
HYDRAULIC WINCH KIT	14
HYDRAULIC WINCH CONTROL ASS'Y	15
HYDRAULIC WINCH ASSEMBLY	16
WINCH DRUM DETAIL	17
TOP CABLE PULLEY DETAIL.....	17
CYLINDER SEAL INSTALLATION	18
6030C363 MAIN BOOM CYLINDER.....	18
6031C750 DIPPER BOOM CYLINDER	18
6031C754 STABILIZER CYLINDER	19
6014C401 GRAPPLE CYLINDER.....	19
Z54104 315 SERIES HYDRAULIC MOTOR (MAIN BOOM) SEAL KIT	20
Z54108 HYDRAULIC MOTOR (WINCH) MLHP 50 SEAL KIT	20
HYDRAULIC HOSE LIST.....	20
Z54107 CR300 HYDRAULIC ROTATOR SEAL KIT	20
Z54206 MONOBLOCK 7-SECTION VALVE SEAL KIT	20
#20DK SEAL KIT S20 SIDE PORT.....	21
#20BK SEAL KIT	21
#20CK SEAL KIT FOR S20 INLET SIDE PORT.....	21
#20AK SEAL KIT FOR S20 WORK SECTIONS.....	21
HYDRAULIC SCHEMATIC.....	22
HYDRAULIC SCHEMATIC - WINCH OPTION.....	23
HYDRAULIC SCHEMATIC - POWER PACK	23
HYDRAULIC SCHEMATIC - TRACTOR HYDRAULIC KIT	23
LABELS	24
ACCESSORIES.....	25

LX95 / LT30 Variation Chart

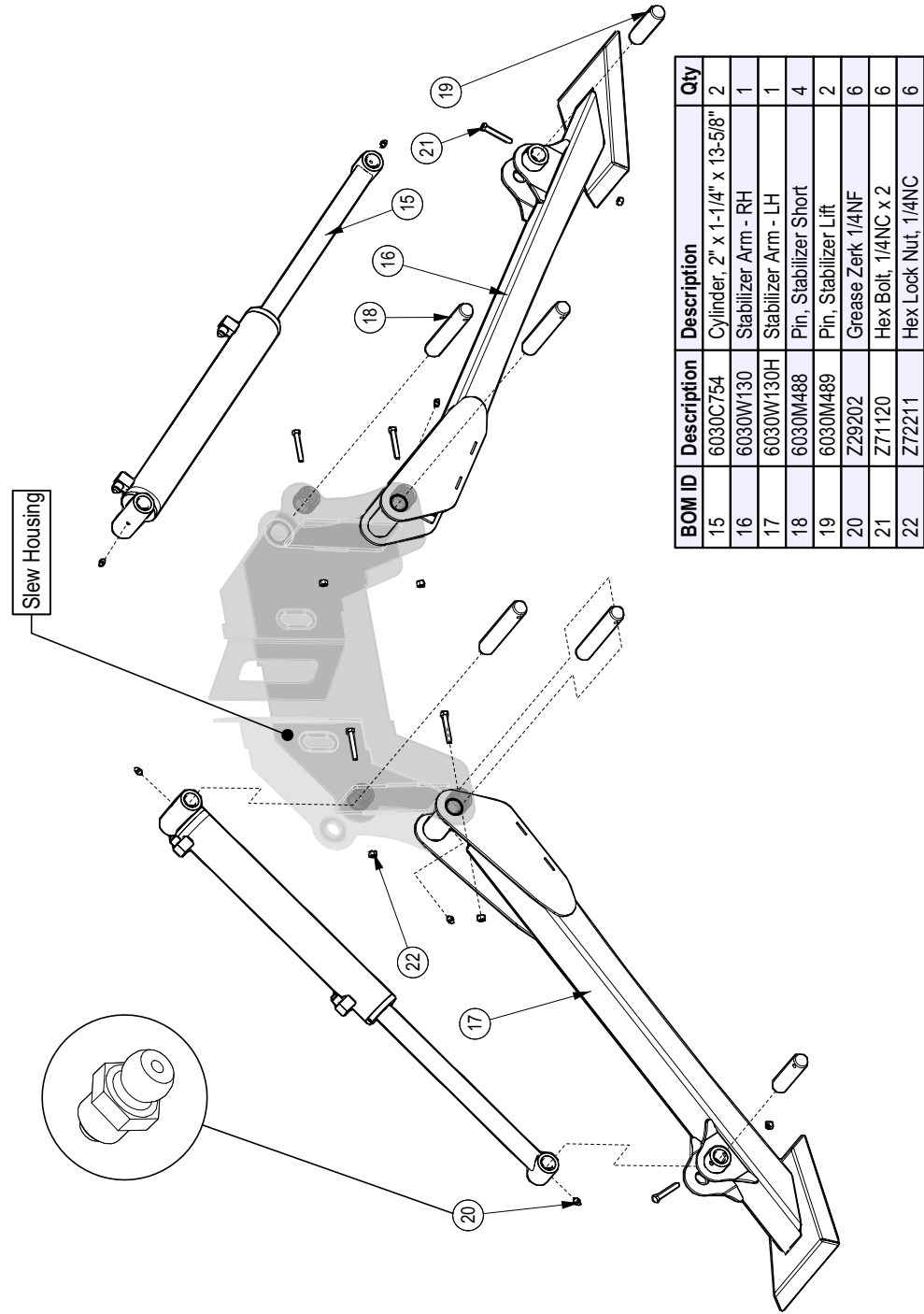
The LX / LT series of Timber Talon Grapples and Log Trailers are available with different options and variation. Use the chart below to identify your particular model when ordering parts.

LX95 / LT30 Timber Talon Comparison Chart		Boom Mounting Combination		Three Point Hitch	Trailer / Bunk Posts	Dual Speed Winch	Surge Brakes	Highway Kit	Hydraulic Tandem
	Grapple Boom	LX95	X						
	Grapple Boom Off Road Trailer	LX95	LT30		✓				
	Grapple Boom Trailer - ATV Kit	LX95	LT30A		✓		✓		✓
	Grapple Boom Trailer - Highway Kit	LX95	LT30H		✓		✓	✓	
	Grapple Boom Trailer - Highway & Hydraulic Tandem Kits	LX95	LT30HA		✓		✓	✓	✓
	Grapple Boom 3 Point Hitch Kit	LX95	L400	✓					
W i n c h M o d e l s	Grapple Boom with Winch	LX95PW	X			✓			
	Grapple Boom with Winch Trailer - ATV Kit	LX95W	LT30A		✓	✓	✓		✓
	Grapple Boom with Winch Trailer - Highway & Hydraulic Tandem Kits	LX95W	LT30HA		✓	✓	✓	✓	✓
	Grapple Boom with Winch Off Road Trailer	LX95PW	LT30		✓	✓			
	Grapple Boom with Winch Trailer - Highway Kit	LX95PW	LT30H		✓	✓	✓	✓	
	Grapple Boom with Winch 3 Point Hitch Kit	LX95PW	L400		✓		✓		

Control Panel Ass'y



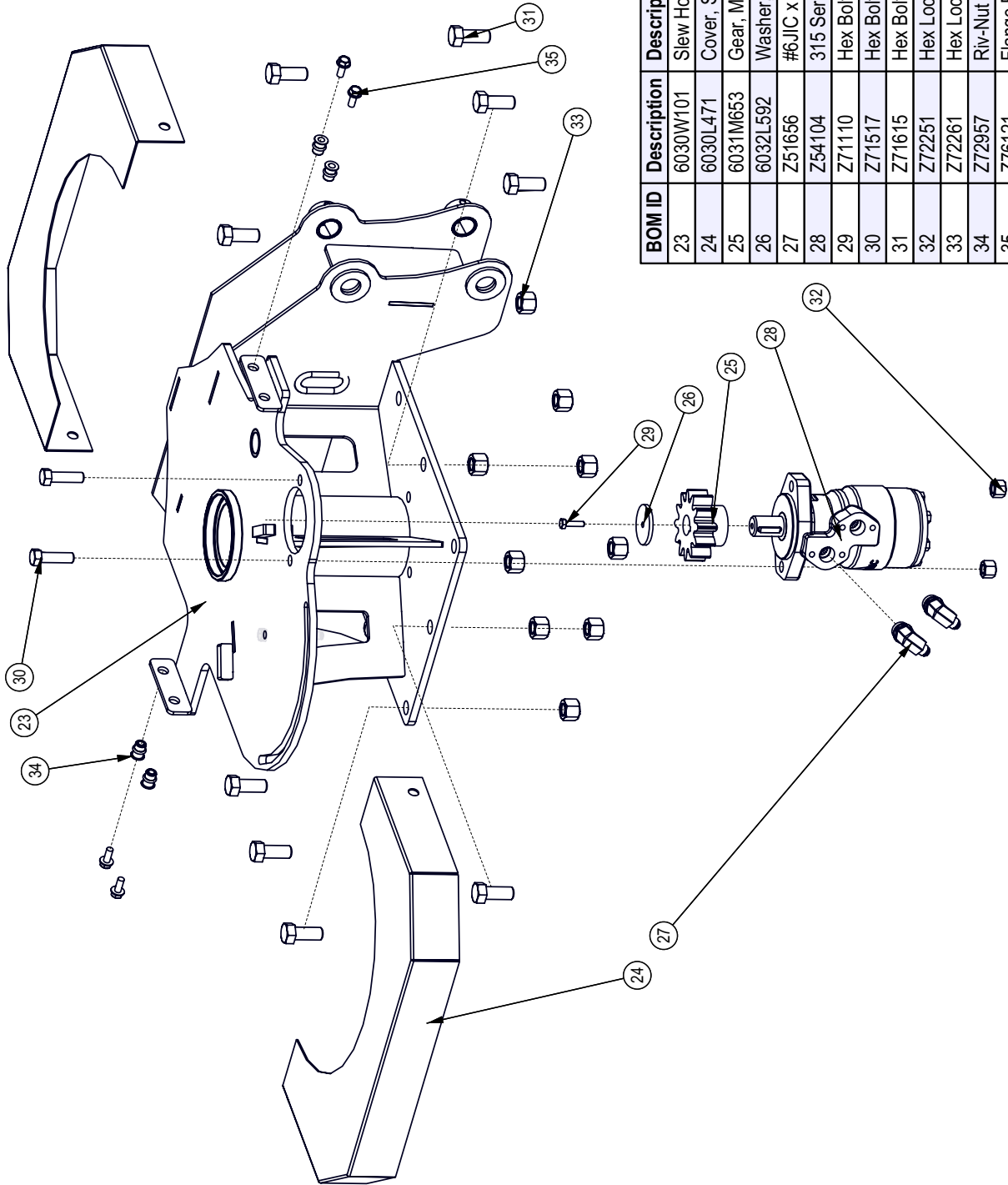
BOM ID	Description	Description	Qty
1	6030W132	Console Arm	1
2	Z51641	#6ORB x #6JIC	14
3	Z51655	#6JIC x #8ORB 90	2
4	Z56206	Monoblock 7-Section Valve	1
5	Z71225	Hex Bolt, 5/16NC x 2-1/2	3
6	Z71330	Hex Bolt, 3/8NC x 3	2
7	Z72231	Hex Lock Nut, 3/8NC	2
8	Z72503	Flange Nut #10-32NF	3
9	Z72521	Flange Nut, 5/16NC	3
10	Z72955	Riv-Nut 1/4NC x 165	6
11	Z73131	Flat Washer, 3/8	1
12	Z73233	Washer, 3/8" Low-Friction Plastic	1
13	Z78316	Machine Screw, #10-32NF x 3/4	3
14	Z96503	Manual Tube 3-1/2 Short	1



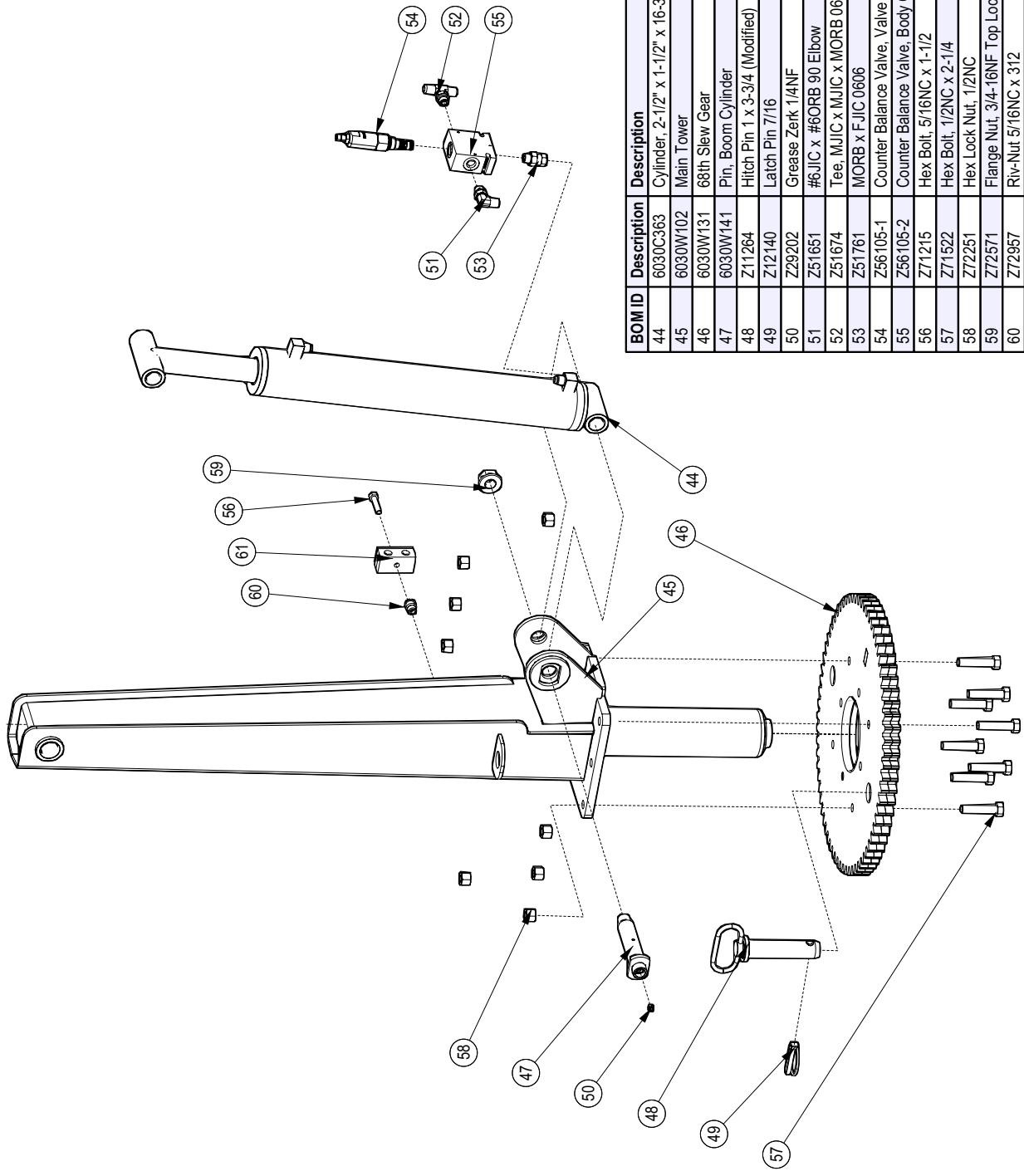
BOM ID	Description	Description	Qty
15	6030C754	Cylinder, 2" x 1-1/4" x 13-5/8"	2
16	6030W130	Stabilizer Arm - RH	1
17	6030W130H	Stabilizer Arm - LH	1
18	6030M488	Pin, Stabilizer Short	4
19	6030M489	Pin, Stabilizer Lift	2
20	Z29202	Grease Zerk 1/4NF	6
21	Z71120	Hex Bolt, 1/4NC x 2	6
22	Z72211	Hex Lock Nut, 1/4NC	6

Stabilizer Ass'y

Slew Housing Ass'y

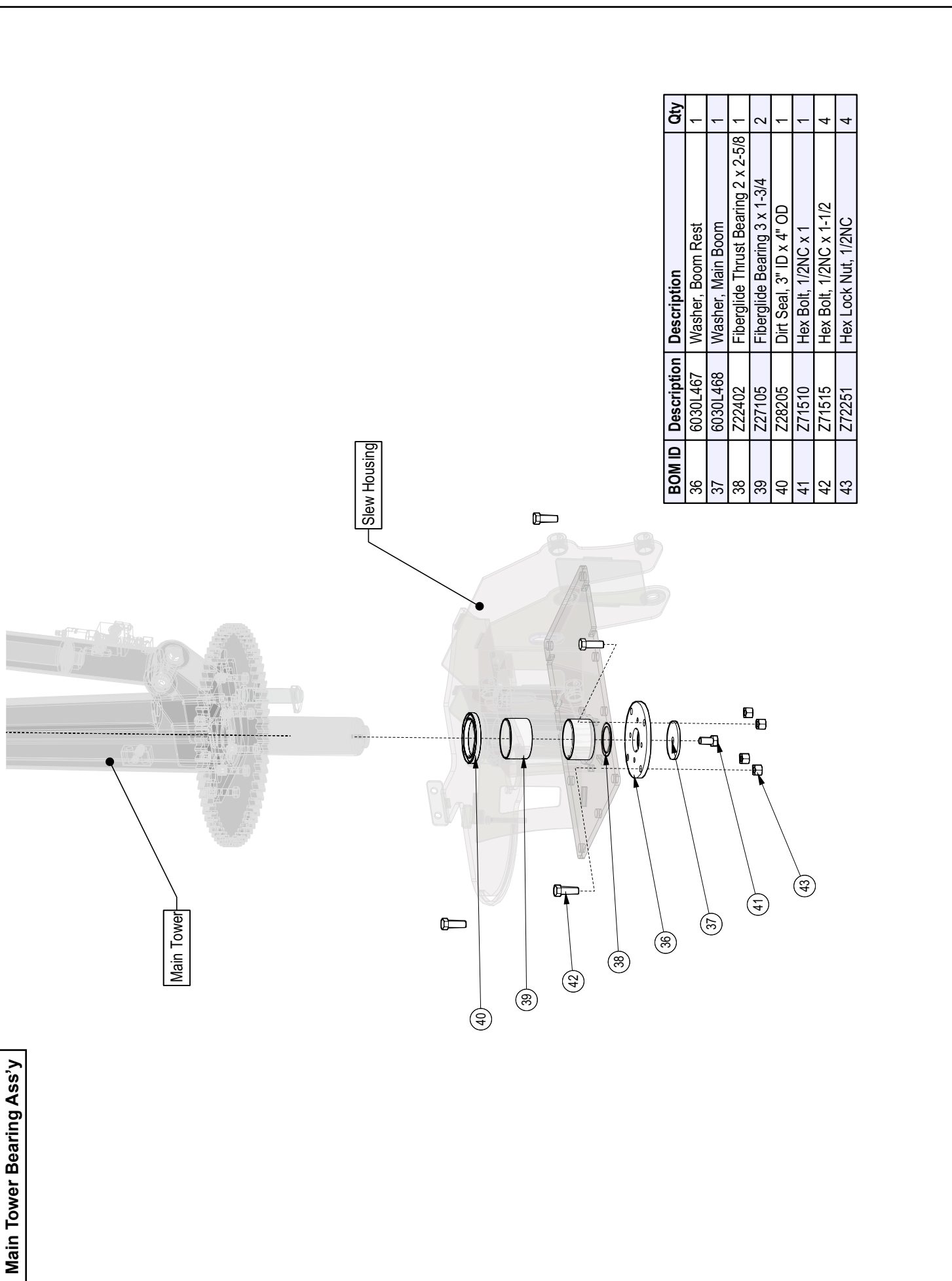


BOM ID	Description	Description	Qty
23	6030W101	Slew Housing	1
24	6030L471	Cover, Slew Sprocket	2
25	6031M653	Gear, Motor -Small	1
26	6032L592	Washer, Sprocket Capture	1
27	Z51656	#6JIC x #10ORB 90	2
28	Z54104	315 Series Hydraulic Motor	1
29	Z71110	Hex Bolt, 1/4NC x 1	1
30	Z71517	Hex Bolt, 1/2NC x 1-3/4	2
31	Z71615	Hex Bolt, 5/8NC x 1-1/2	9
32	Z72251	Hex Lock Nut, 1/2NC	2
33	Z72261	Hex Lock Nut, 5/8NC	9
34	Z72957	Riv-Nut 5/16NC x 312	4
35	Z76121	Flange Bolt, 5/16NC x 3/4	4



BOM ID	Description	Description	Qty
44	6030C363	Cylinder, 2-1/2" x 1-1/2" x 16-3/4"	1
45	6030W102	Main Tower	1
46	6030W131	68th Slew Gear	1
47	6030W141	Pin, Boom Cylinder	1
48	Z11264	Hitch Pin 1 x 3-3/4 (Modified)	1
49	Z12140	Latch Pin 7/16	1
50	Z29202	Grease Zerk 1/4NF	1
51	Z51651	#6JIC x #6ORB 90 Elbow	1
52	Z51674	Tee, MJIC x MJIC x MORB 060606	1
53	Z51761	MORB x FJIC 0606	1
54	Z56105-1	Counter Balance Valve, Valve Only	1
55	Z56105-2	Counter Balance Valve, Body Only	1
56	Z71215	Hex Bolt, 5/16NC x 1-1/2	1
57	Z71522	Hex Bolt, 1/2NC x 2-1/4	8
58	Z72251	Hex Lock Nut, 1/2NC	8
59	Z72571	Flange Nut, 3/4-16NF Top Lock	1
60	Z72957	Riv-Nut 5/16NC x 312	1
61	Z79462	Double Hose Clamp 1/2"	1

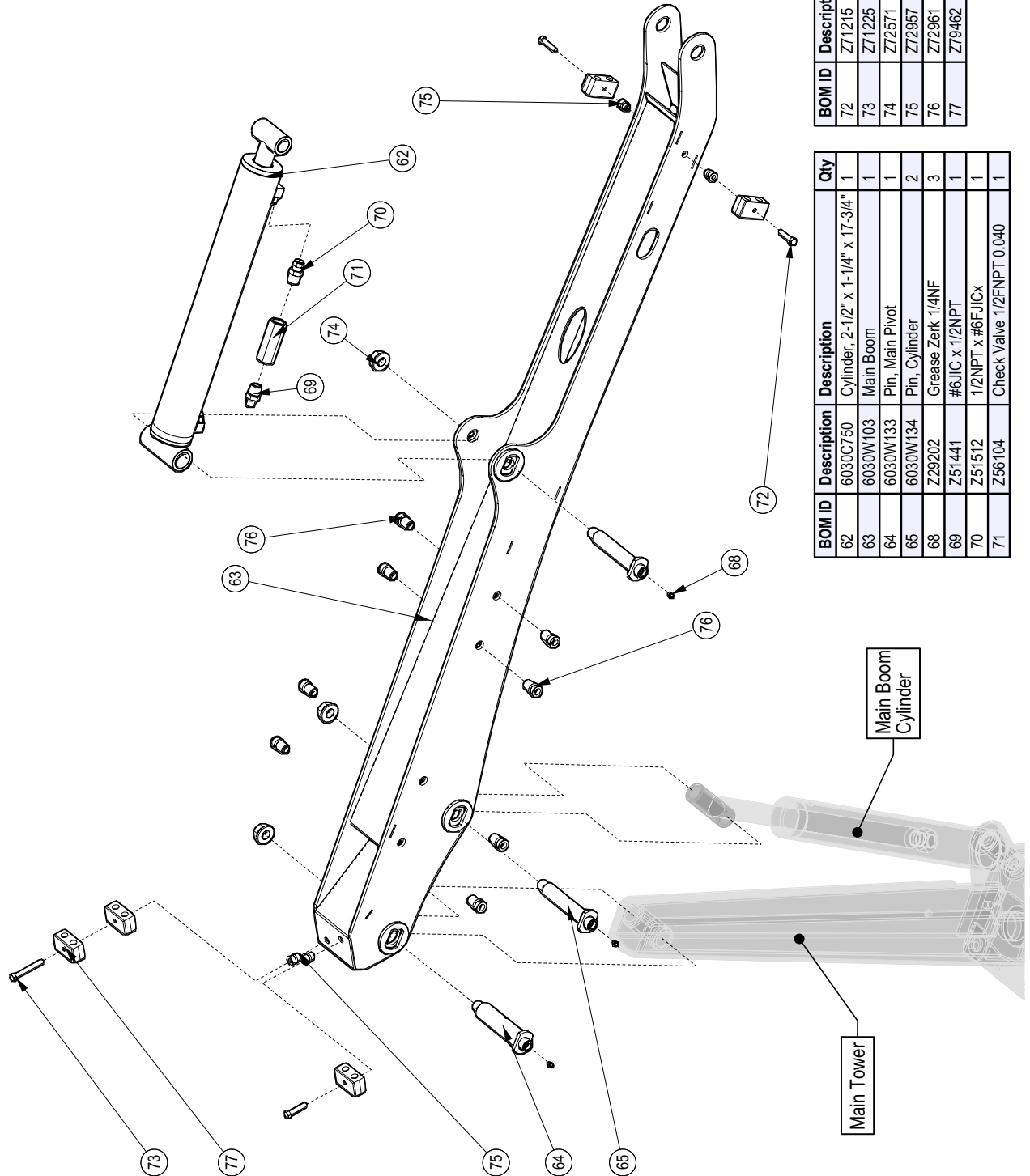
Main Tower Ass'y



BOM ID	Description	Description	Qty
36	6030L467	Washer, Boom Rest	1
37	6030L468	Washer, Main Boom	1
38	Z22402	Fiberglide Thrust Bearing 2 x 2-5/8	1
39	Z27105	Fiberglide Bearing 3 x 1-3/4	2
40	Z28205	Dirt Seal, 3" ID x 4" OD	1
41	Z71510	Hex Bolt, 1/2NC x 1	1
42	Z71515	Hex Bolt, 1/2NC x 1-1/2	4
43	Z72251	Hex Lock Nut, 1/2NC	4

Main Tower Bearing Ass'y

Main Boom Ass'y



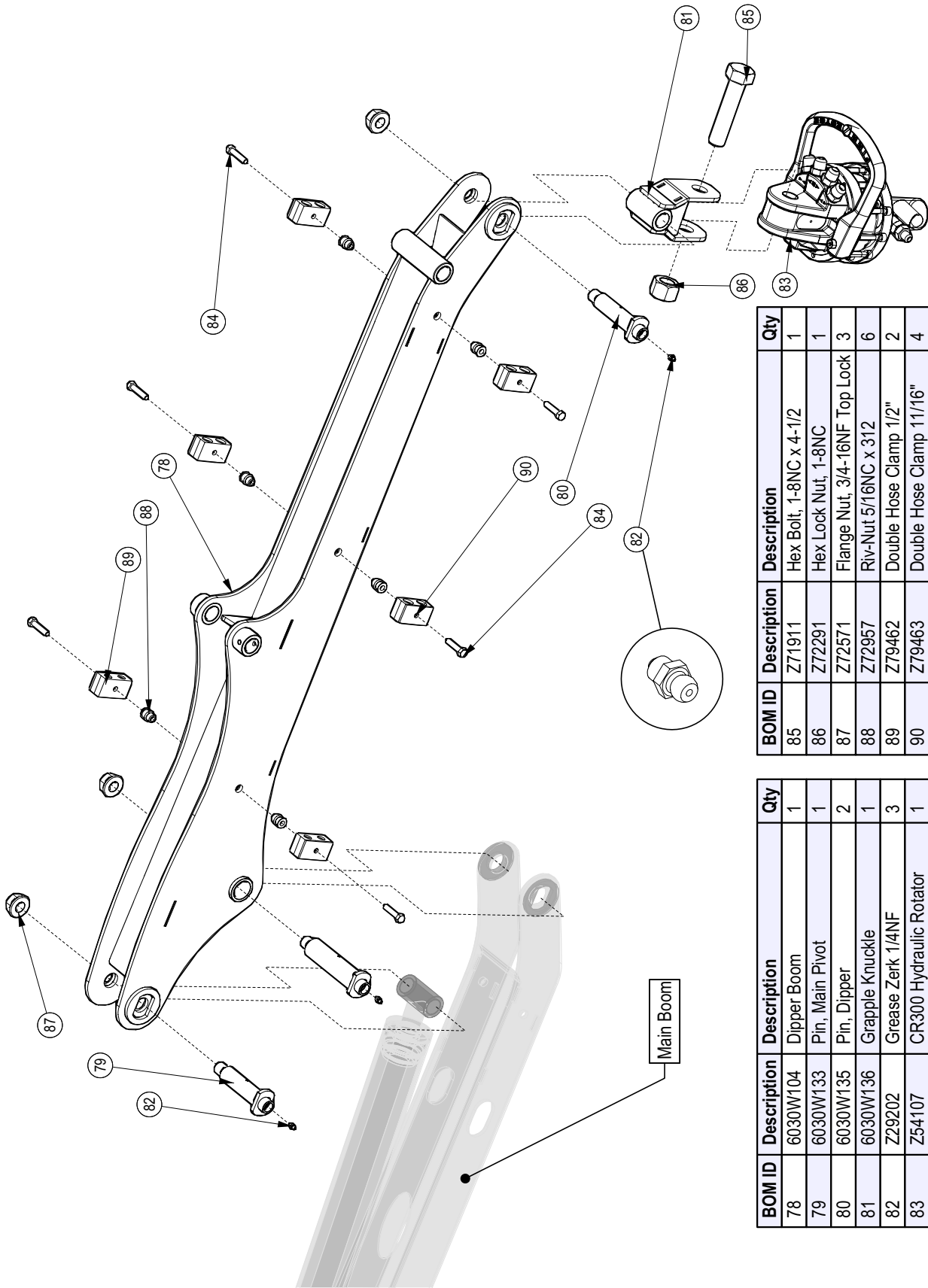
BOM ID	Description	Description	Qty
72	Z71215	Hex Bolt, 5/16NC x 1-1/2	3
73	Z71225	Hex Bolt, 5/16NC x 2-1/2	1
74	Z72571	Flange Nut, 3/4-16NF Top Lock	3
75	Z72957	Riv-Nut, 5/16NC x 312	4
76	Z72961	Riv-Nut, 1/2NC x 350	8
77	Z79462	Double Hose Clamp, 1/2"	5

BOM ID	Description	Description	Qty
62	6030C750	Cylinder, 2-1/2" x 1-1/4" x 17-3/4"	1
63	6030W103	Main Boom	1
64	6030W133	Pin, Main Pivot	1
65	6030W134	Pin, Cylinder	2
68	Z29202	Grease Zerk, 1/4NF	3
69	Z51441	#6JIC x 1/2NPT	1
70	Z51512	1/2NPT x #6FJICx	1
71	Z56104	Check Valve 1/2FNPT 0.040	1

Main Boom
Cylinder

Main Tower

Dipper Boom Assy

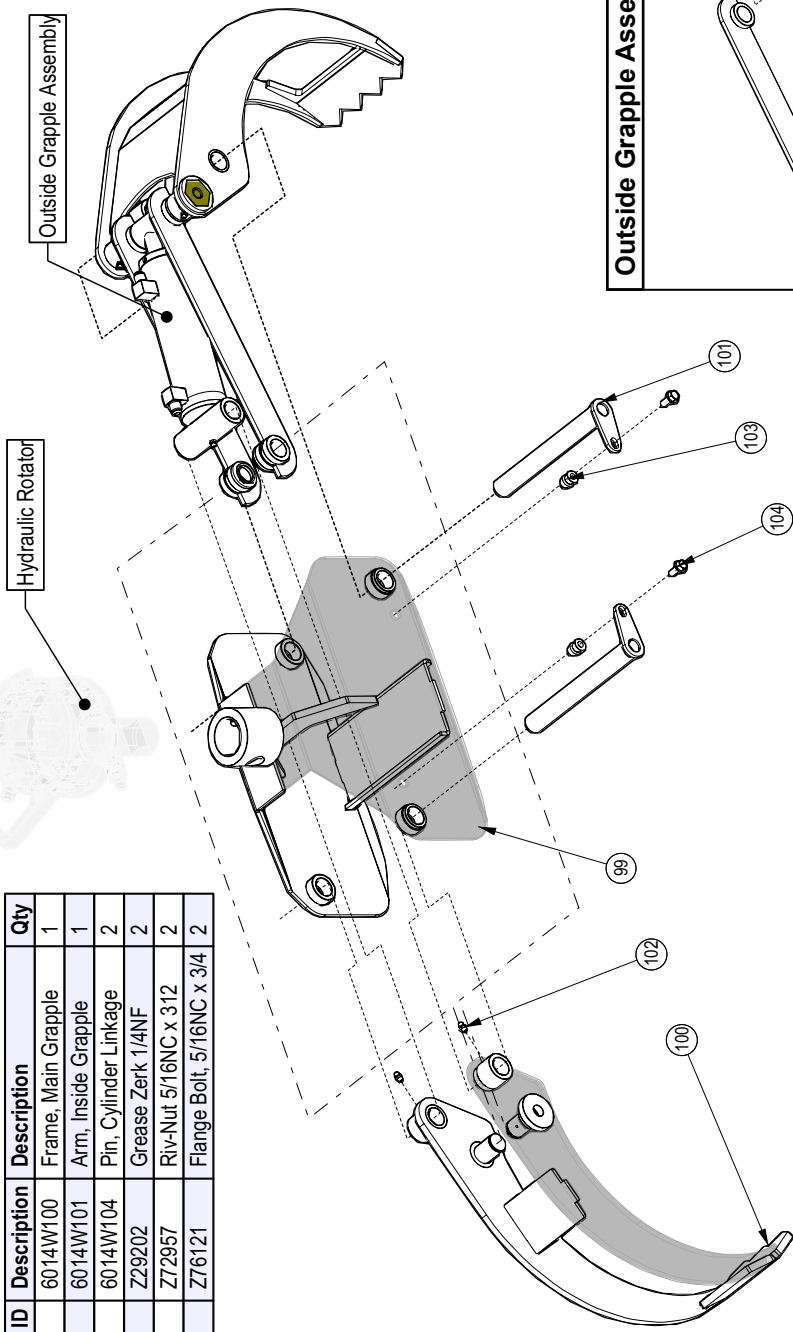


BOM ID	Description	Description	Qty
85	Z71911	Hex Bolt, 1-8NC x 4-1/2	1
86	Z72291	Hex Lock Nut, 1-8NC	1
87	Z72571	Flange Nut, 3/4-16NF Top Lock	3
88	Z72957	Riv-Nut 5/16NC x 312	6
89	Z79462	Double Hose Clamp 1/2"	2
90	Z79463	Double Hose Clamp 1 1/16"	4

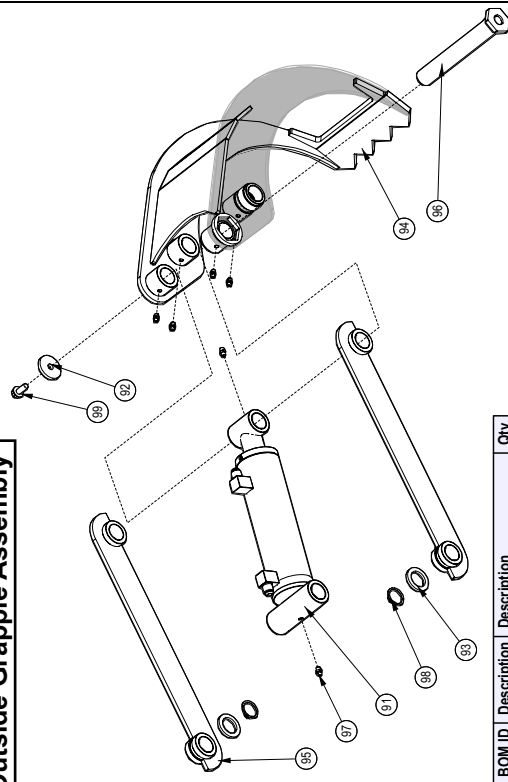
BOM ID	Description	Description	Qty
78	6030W104	Dipper Boom	1
79	6030W133	Pin, Main Pivot	1
80	6030W135	Pin, Dipper	2
81	6030W136	Grapple Knuckle	1
82	Z29202	Grease Zerk 1/4NF	3
83	Z54107	CR300 Hydraulic Rotator	1
84	Z71215	Hex Bolt, 5/16NC x 1-1/2	6

Grapple Ass'y

BOM ID	Description	Qty
99	6014W100	1
100	Frame, Main Grapple	1
101	6014W101	1
102	6014W104	2
103	Z29202	2
104	Z72957	2
	Riv-Nut 5/16NC x 312	2
	Flange Bolt, 5/16NC x 3/4	2

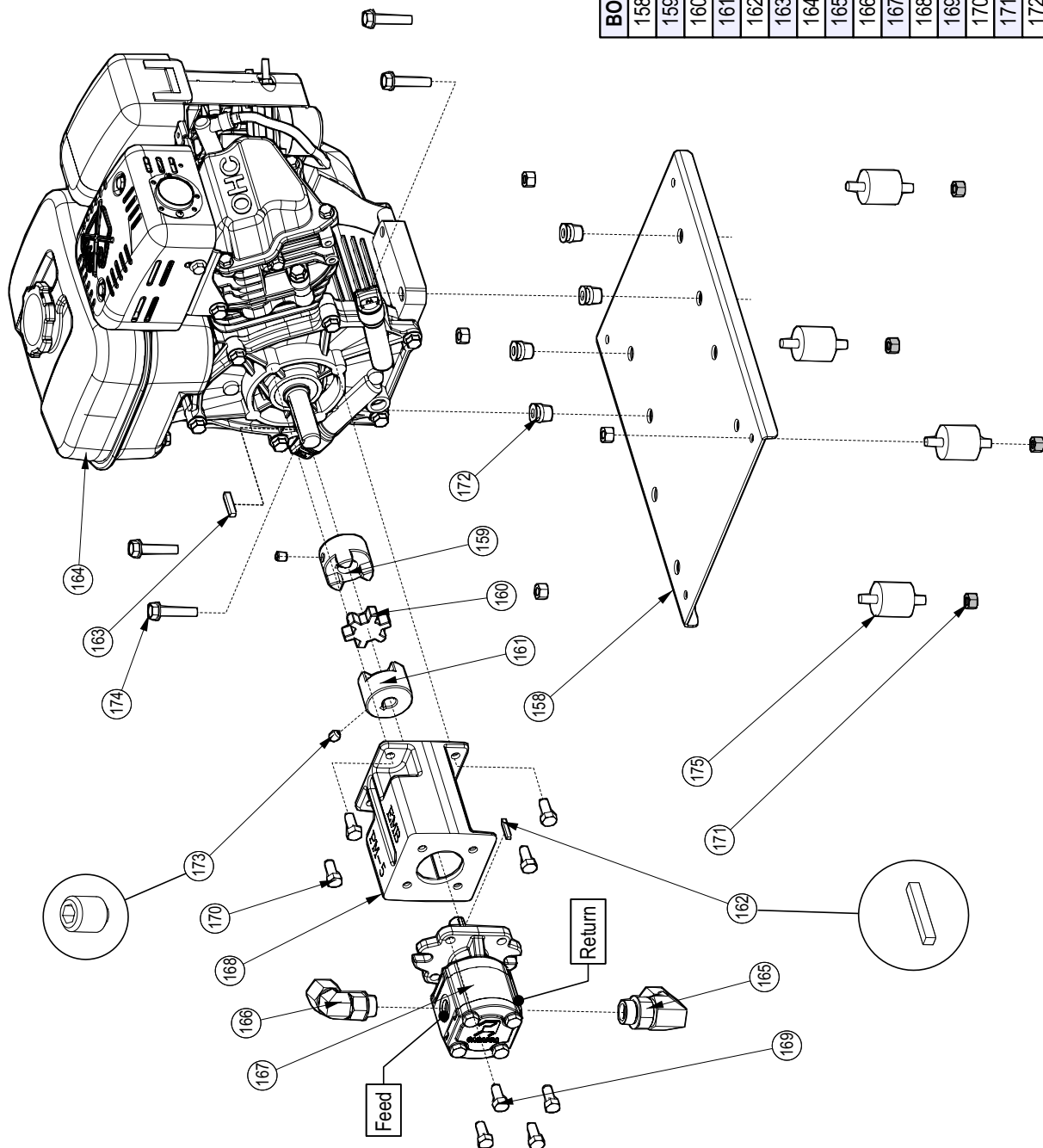


Outside Grapple Assembly

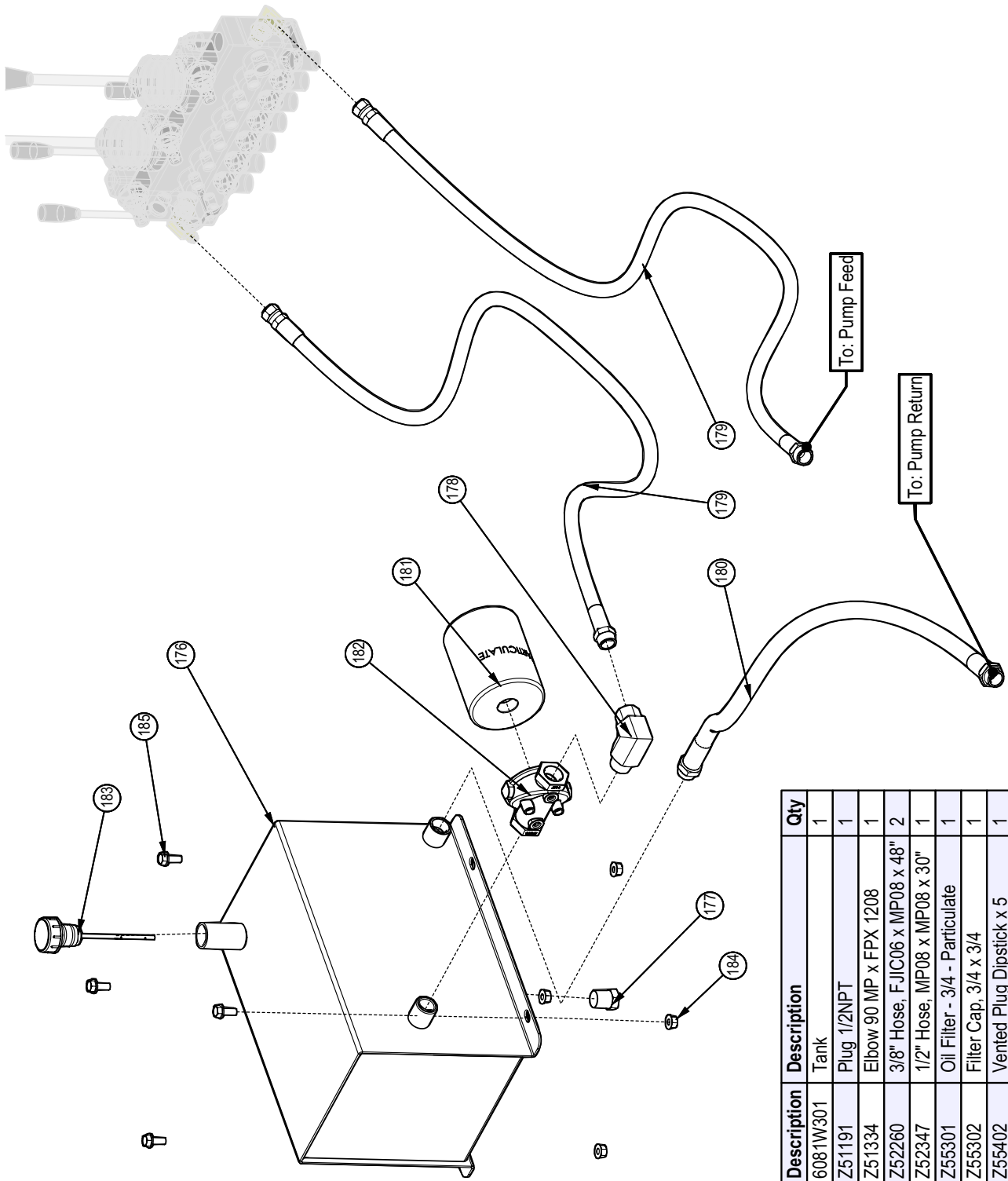


BOM ID	Description	Qty
91	6014C401	1
92	6014L121	1
93	6014L133	2
94	6014W102	1
95	6014W103	2
96	6014W105	1
97	Z29202	6
98	Z46204	2
99	Z76121	1

BOM ID	Description	Description	Qty
158	6081L205	Plate, Engine Mount	1
159	Z46406	Shaft Coupler L075 x 3/4	1
160	Z46408	Coupler Spider L075	1
161	Z46410	Shaft Coupler L075 x 1/2	1
162	Z46511	Key, 1/8 x 1/8 x 7/8	1
163	Z46522	Key, 3/16 x 3/16 x 1	1
164	Z47701	Subaru SP170 6hp Engine	1
165	Z51383	Elbow 90 ORB x FPX 0808	1
166	Z51385	Elbow 90 MORB x FPX 0608	1
167	Z53103	Gear Pump, 0.13 CJR	1
168	Z53801	Pump Mounting, PM-5	1
169	Z71207	Hex Bolt, 5/16NC x 3/4	4
170	Z71273	Hex Bolt, 5/16NF x 3/4	4
171	Z72221	Hex Lock Nut, 5/16NC	8
172	Z72956	Riv-Nut 5/16NC x 150	4
173	Z74121	Set Screw, 5/16NC	2
174	Z76123	Flange Bolt, 5/16NC x 1-1/2	4
175	Z79931	Rubber Mount	4



Power Pack Engine / Pump

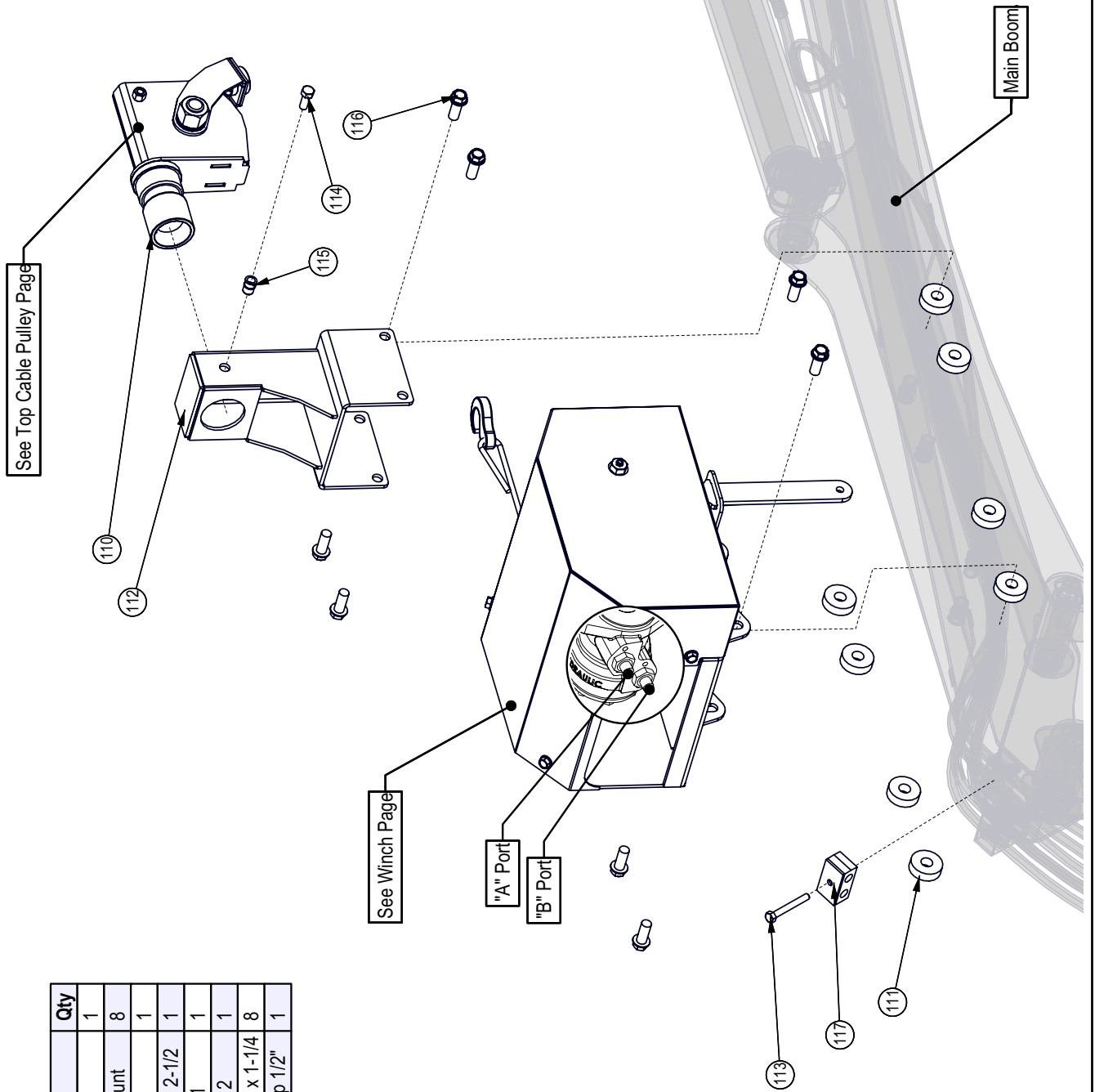


BOM ID	Description	Description	Qty
176	6081W301	Tank	1
177	Z51191	Plug 1/2NPT	1
178	Z51334	Elbow 90 MP x FFX 1208	1
179	Z52260	3/8" Hose, FJIC06 x MP08 x 48"	2
180	Z52347	1/2" Hose, MP08 x MP08 x 30"	1
181	Z55301	Oil Filter - 3/4 - Particulate	1
182	Z55302	Filter Cap, 3/4 x 3/4	1
183	Z55402	Vented Plug Dipstick x 5	1
184	Z72521	Flange Nut, 5/16NC	4
185	Z76121	Flange Bolt, 5/16NC x 3/4	4

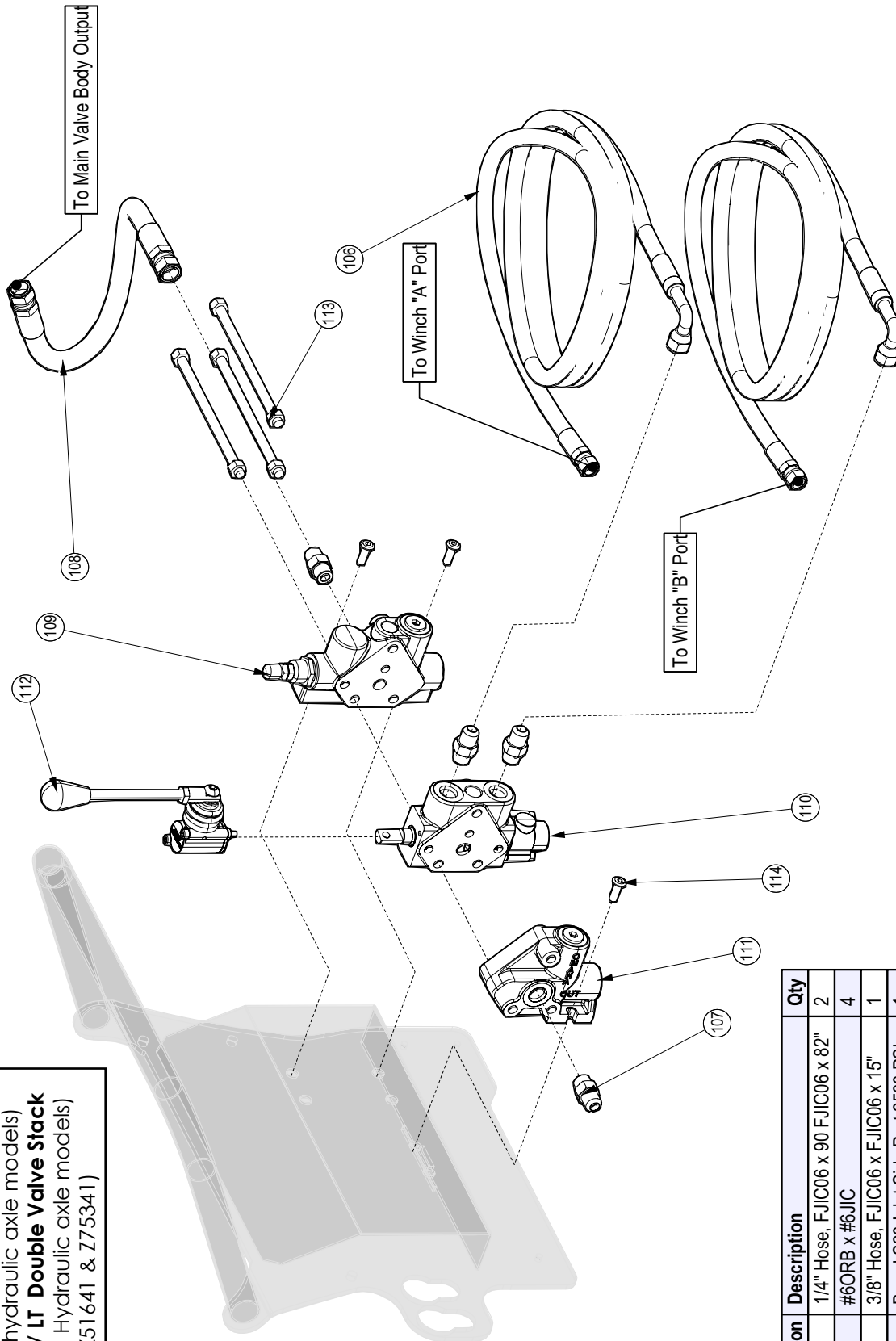
Power Pack Tank and Hydraulic Line Assy

Hydraulic Winch Kit

BOM ID	Description	Description	Qty
110	6083A201	Top Cable Pulley	1
111	6083L211	Washer, Winch Mount	8
112	6083W200	Fairlead Mount	1
113	Z71225	Hex Bolt, 5/16NC x 2-1/2	1
114	Z71310	Hex Bolt, 3/8NC x 1	1
115	Z72959	Riv-Nut, 3/8NC x 312	1
116	Z76152	Flange Bolt, 1/2NC x 1-1/4	8
117	Z79462	Double Hose Clamp 1/2"	1



Model LX95W & LX95PW



Hydraulic Winch Control Assy

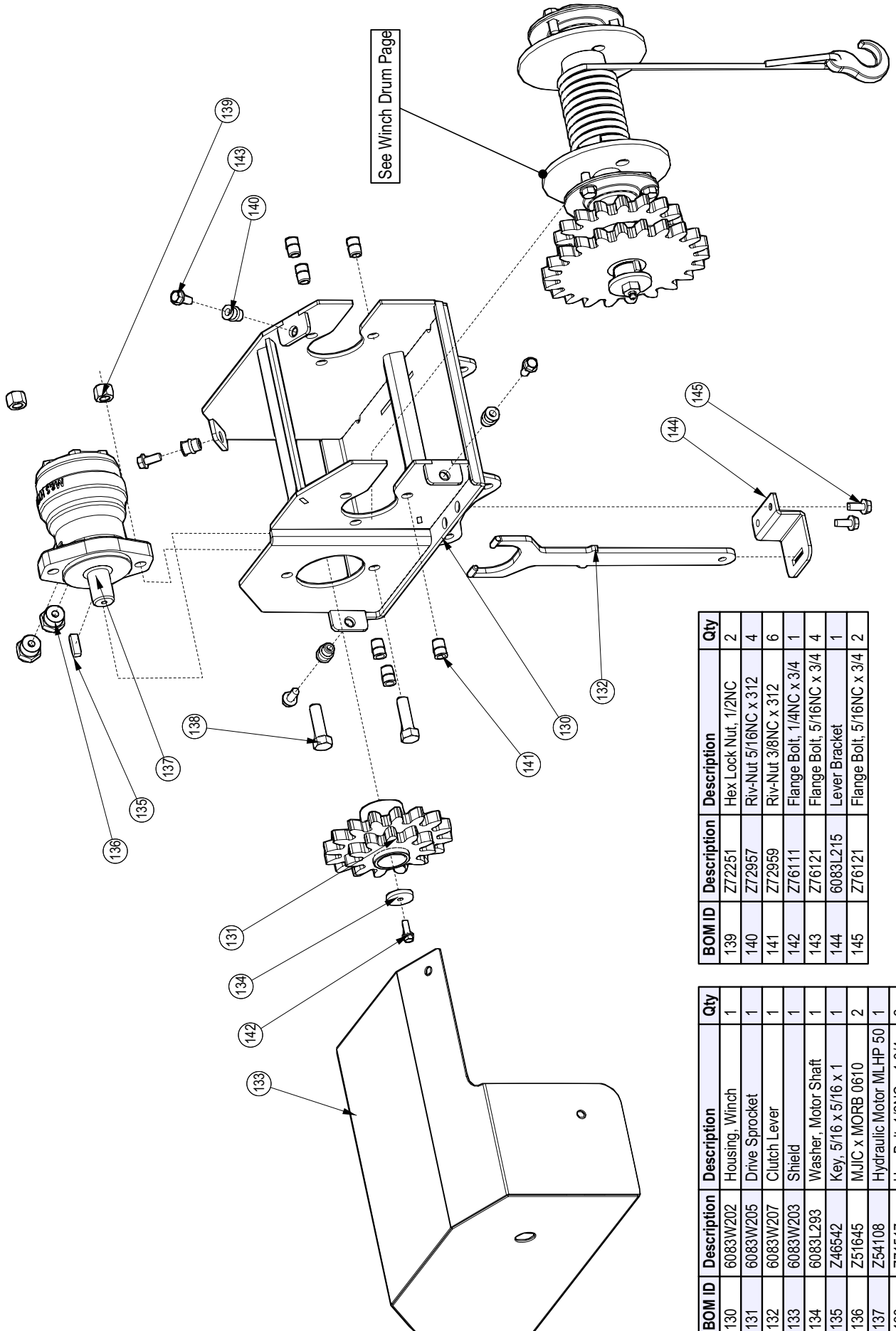
Note: These parts may be ordered as a complete assembly:
#6083A240 LX / LT Single Valve Stack
 (for winch or hydraulic axle models)
#6083A250 LX / LT Double Valve Stack
 (for winch and Hydraulic axle models)
 (less #Z51641 & Z75341)

***Note:** Use #Z56608 Brand 20TR2 Two Spool Tie Rod Kit for models with hydraulic winch and log trailer hydraulic tandem operation.

BOM ID	Description	Description	Qty
106	Z51238	1/4" Hose, FJIC06 x 90 FJIC06 x 82"	2
107	Z51641	#6ORB x #6JIC	4
108	Z52203	3/8" Hose, FJIC06 x FJIC06 x 15"	1
109	Z56601	Brand S20 Inlet Side Port 2500 PSI	1
110	Z56602	Brand S20 Tandem Spool Work Port	1
111	Z56604	Brand S20 Outlet Side Port	1
112	Z56606	Brand S20 Vertical Handle	1
113	Z56607	Brand 20TR1 Single Spool Tie Rod Kit	1
114	Z75341	BHCS, 1/4NC x 1	3

Model LX95W & LX95PW

Hydraulic Winch Assembly

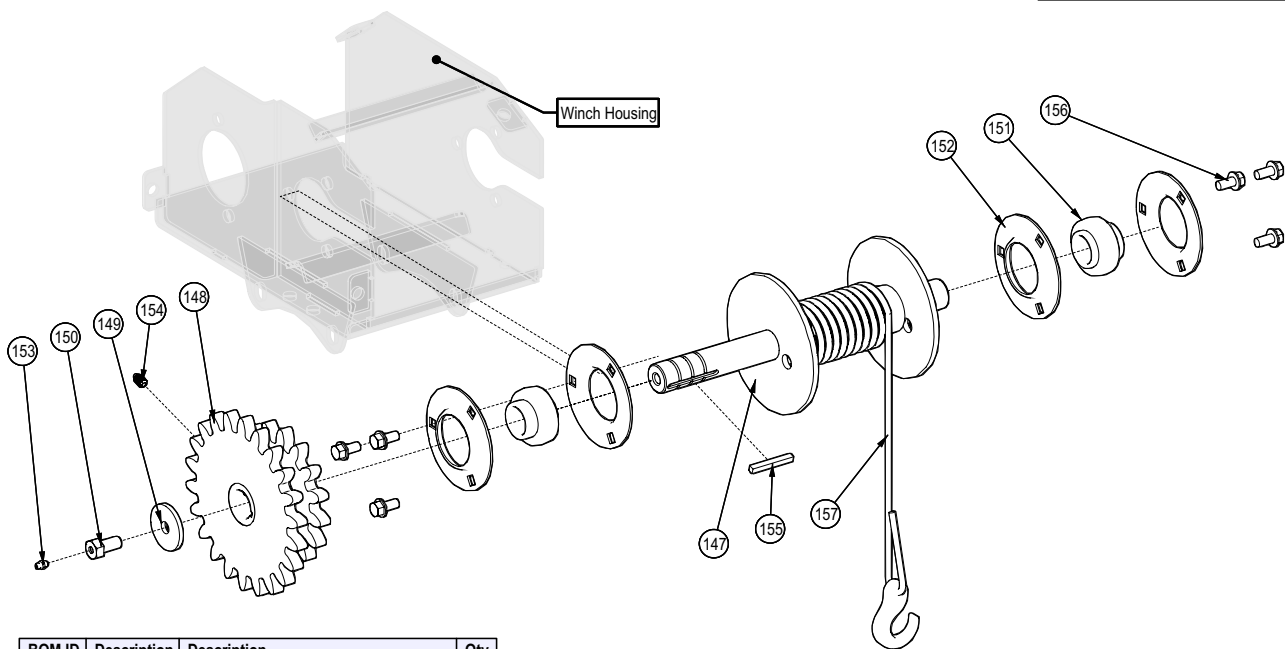


BOM ID	Description	Description	Qty
139	Z72251	Hex Lock Nut, 1/2NC	2
140	Z72957	Riv-Nut 5/16NC x 3/12	4
141	Z72959	Riv-Nut 3/8NC x 3/12	6
142	Z76111	Flange Bolt, 1/4NC x 3/4	1
143	Z76121	Flange Bolt, 5/16NC x 3/4	4
144	6083L215	Lever Bracket	1
145	Z76121	Flange Bolt, 5/16NC x 3/4	2

BOM ID	Description	Description	Qty
130	6083W202	Housing, Winch	1
131	6083W205	Drive Sprocket	1
132	6083W207	Clutch Lever	1
133	6083W203	Shield	1
134	6083L293	Washer, Motor Shaft	1
135	Z46542	Key, 5/16 x 5/16 x 1	1
136	Z51645	MJIC x MORB 0610	2
137	Z54108	Hydraulic Motor M.L.H.P. 50	1
138	Z71517	Hex Bolt, 1/2NC x 1-3/4	2

Winch Drum Detail

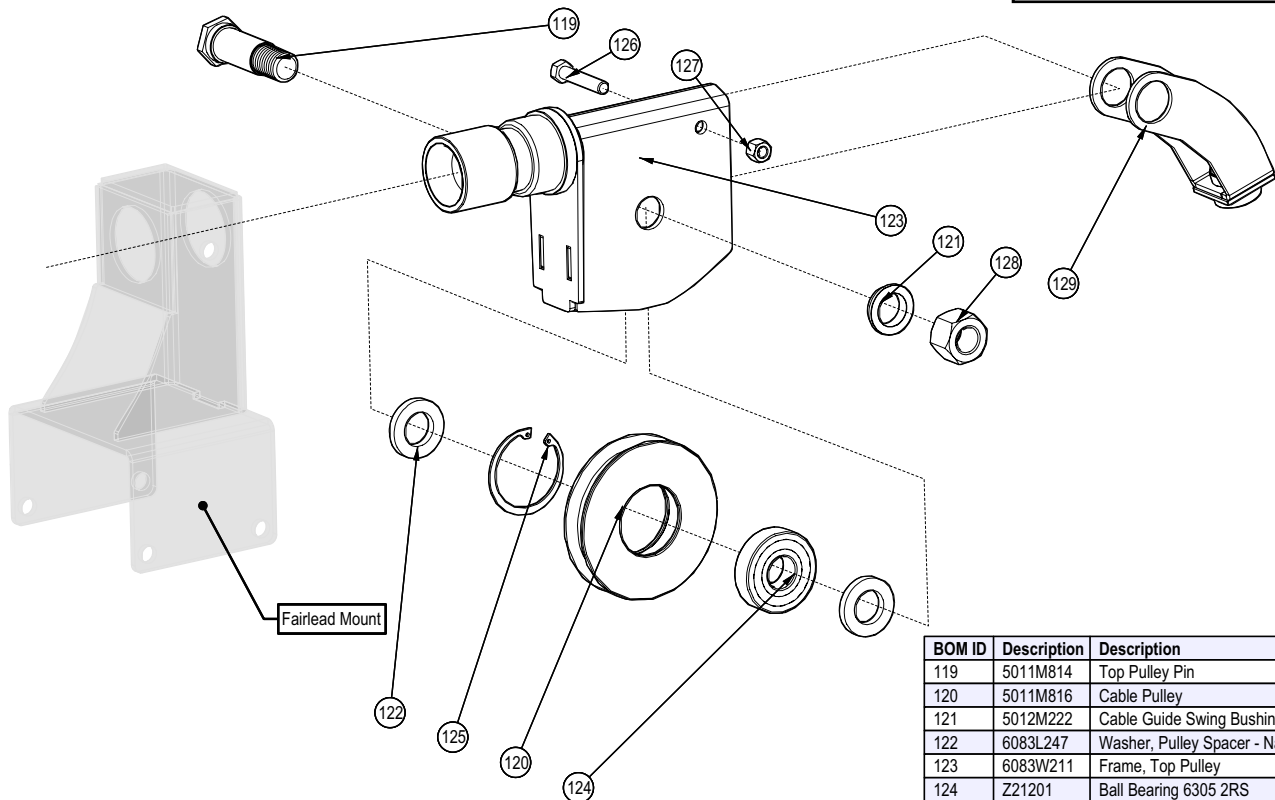
Model LX95W & LX95PW



BOM ID	Description	Description	Qty
147	6083W201	Drum, Main Cable	1
148	6083W206	Sprocket, Driven	1
149	6083L207	Washer, Capture	1
150	6083M252	1/2-13 x 1 Bolt Modified	1
151	Z25207	Z25203 Insert Only	2
152	Z25301	PF206 Flange Only	4
153	Z29202	Grease Zerk 1/4NF	1
154	Z34302	Spring Plunger 3/8NC 21# Lock Element	1
155	Z46531	Key, 1/4 x 1/4 x 2	1
156	Z76133	Flange Bolt, 3/8NC x 3/4	6
157	Z92112	Synthetic Winch Rope 1/4 x 50' with Hook	1

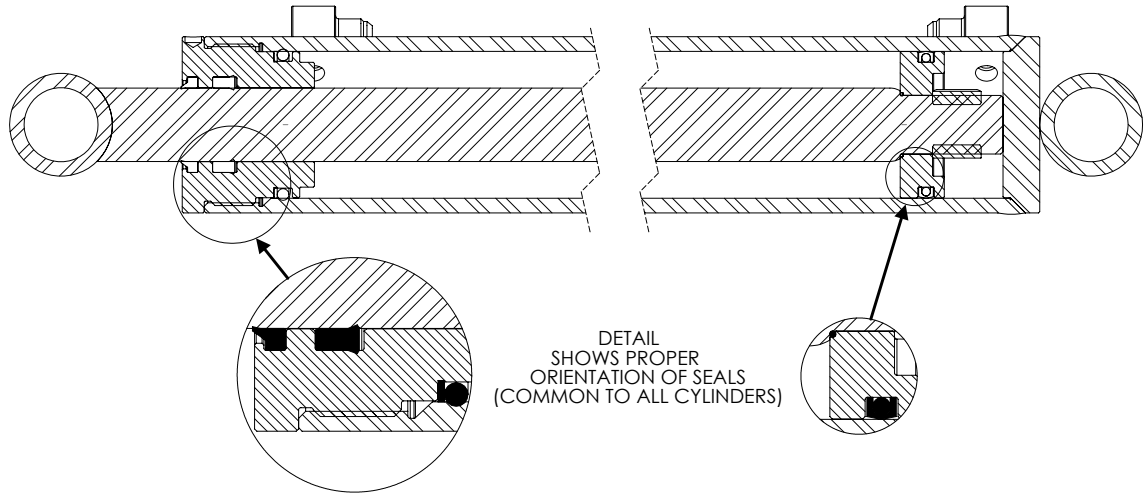
Top Cable Pulley Detail

Model LX95W & LX95PW



BOM ID	Description	Description	Qty
119	5011M814	Top Pulley Pin	1
120	5011M816	Cable Pulley	1
121	5012M222	Cable Guide Swing Bushing	1
122	6083L247	Washer, Pulley Spacer - Narrow	2
123	6083W211	Frame, Top Pulley	1
124	Z21201	Ball Bearing 6305 2RS	1
125	Z46101	Internal Retaining Ring 2-7/16	1
126	Z71320	Hex Bolt, 3/8NC x 2	1
127	Z72231	Hex Lock Nut, 3/8NC	1
128	Z72281	Hex Lock Nut, 7/8-9NC	1
129	6083W208	Cable Guide	1

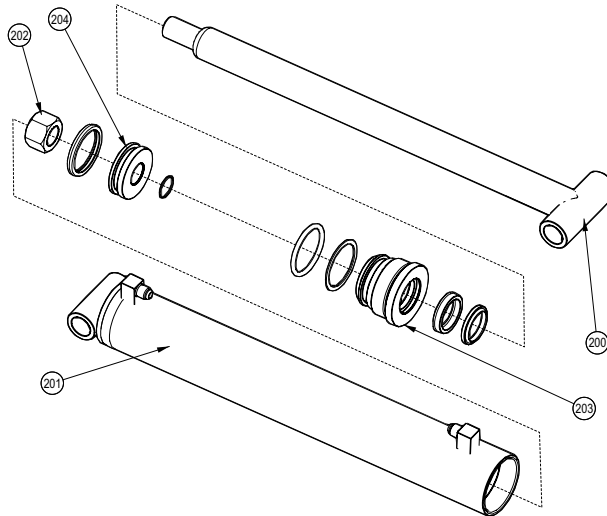
Cylinder Seal Installation



6030C363 Main Boom Cylinder

BOM ID	Description	Description	Qty
200	6030C4362	Rod, 1-1/2 x1	1
201	6030C4363	Barrel, 2-1/2"	1
202	Z72272G8	Hex Lock Nut 3/4NF Grade 8	1
203	G250-150S	2-1/2" X 1-1/2" GLAND	1
204	P100-250SP	2-1/2" BORE PISTON	1

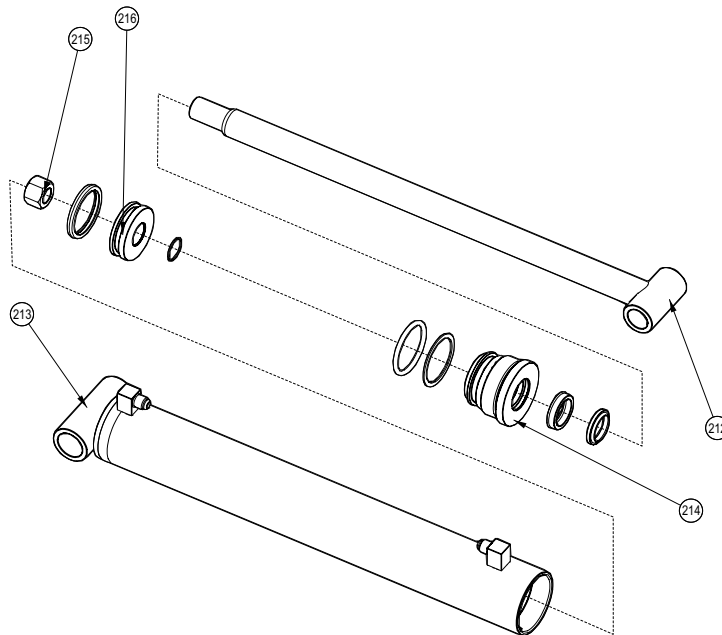
Seal Kit: SLK-2515



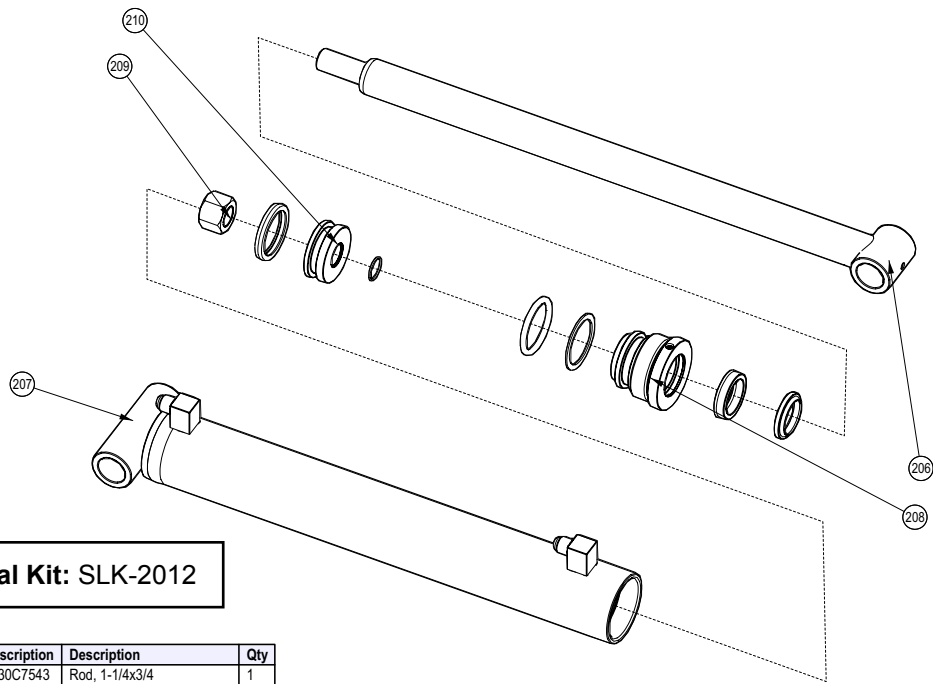
6031C750 Dipper Boom Cylinder

BOM ID	Description	Description	Qty
212	6030C7503	Rod, 1-1/4 x1	1
213	6030C7504	Barrel, 2-1/2" Bore	1
214	G250-125S	2-1/2" X 1-1/4" GLAND	1
215	Z72272G8	Hex Lock Nut 3/4NF Grade 8	1
216	P100-250SP	2-1/2" BORE PISTON	1

Seal Kit: SLK-2512



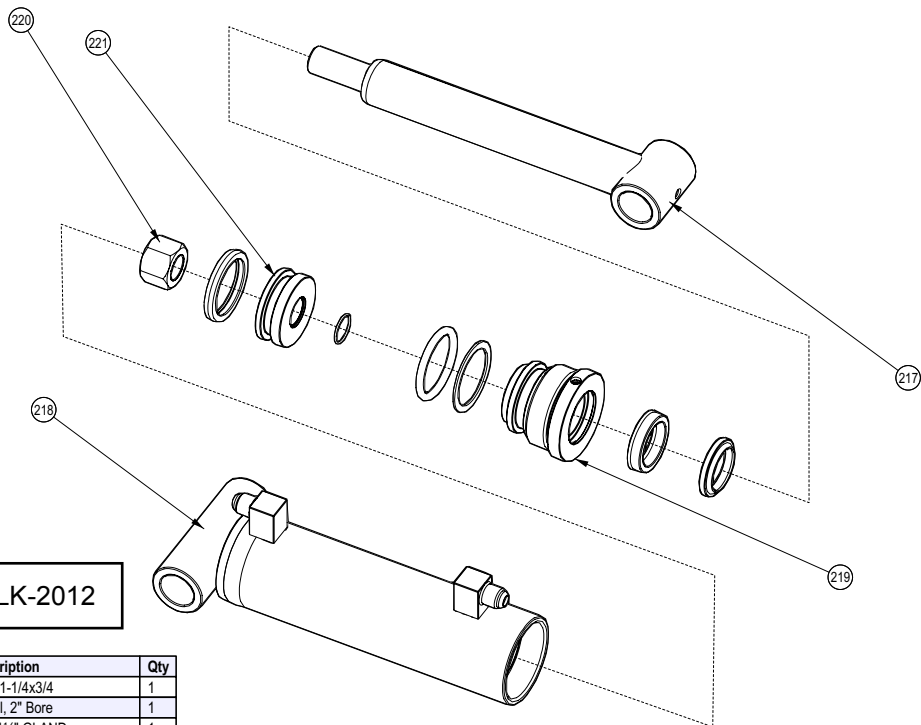
6031C754 Stabilizer Cylinder



Seal Kit: SLK-2012


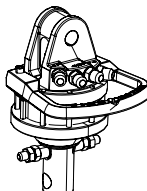
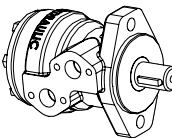
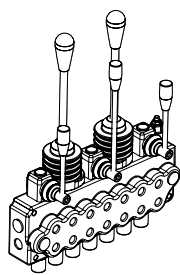
BOM ID	Description	Description	Qty
206	6030C7543	Rod, 1-1/4x3/4	1
207	6030C7544	Barrel, 2" Bore	1
208	G200-125S	2" X 1 1/4" GLAND	1
209	Z72272G8	Hex Lock Nut 3/4NF Grade 8	1
210	P750-200SP	2" BORE PISTON	1

6014C401 Grapple Cylinder



Seal Kit: SLK-2012

BOM ID	Description	Description	Qty
217	6014C4013	Rod, 1-1/4x3/4	1
218	6014C4014	Barrel, 2" Bore	1
219	G200-125S	2" X 1 1/4" GLAND	1
220	Z42272G8	Hex Lock Nut 3/4NF Grade 8	1
221	P750-200SP	2" BORE PISTON	1

<p>Seal Kit: Z54104 315 Series Hydraulic Motor (Main boom)</p>	<p>Seal Kit: Z54107 CR300 Hydraulic Rotator</p>
<div style="display: flex; justify-content: space-around; align-items: center;">  <div style="border: 1px solid black; padding: 5px;"> <p>Seal Kit: SK MLHP-U/D,E</p> </div> </div>	<div style="display: flex; justify-content: space-around; align-items: center;">  <div style="border: 1px solid black; padding: 5px;"> <p>Seal Kit: RK CR300</p> </div> </div>
<p>Seal Kit: Z54108 Hydraulic Motor (Winch) MLHP 50</p>	<p>Seal Kit: Z54206 Monoblock 7-Section Valve</p>
<div style="display: flex; justify-content: space-around; align-items: center;">  <div style="border: 1px solid black; padding: 5px;"> <p>Seal Kit: SK MLHP-U/D,E</p> </div> </div>	<div style="display: flex; justify-content: space-around; align-items: center;">  <div style="border: 1px solid black; padding: 5px;"> <p>Seal Kit: SK SD5/7</p> </div> </div>

Hydraulic Hose List

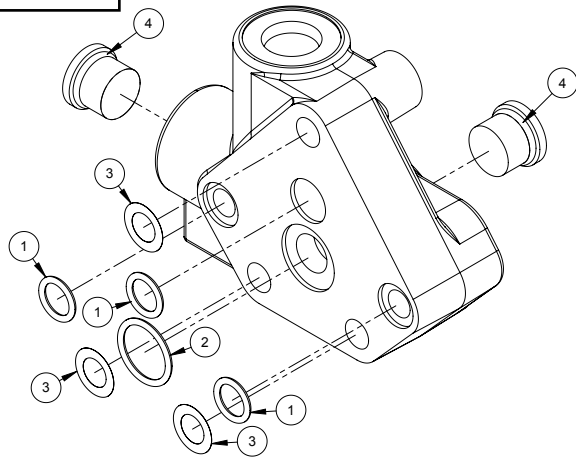
Part Number	Description	Qty	Where Used
Z52128	1/4" Hose, FJIC06 x MP04 x 142"	4	LX95 / LX95W / LX95PW
Z52129	1/4" Hose, FJIC06 x FJIC06 x 108"	2	LX95 / LX95W / LX95PW
Z52130	1/4" Hose, FJIC06 x FJIC06 x 11"	2	LX95 / LX95W / LX95PW
Z52131	1/4" Hose, FJIC06 x FJIC06 x 45"	2	LX95 / LX95W / LX95PW
Z52132	1/4" Hose, FJIC06 x FJIC06 x 22"	2	LX95 / LX95W / LX95PW
Z52133	1/4" Hose, FJIC06 x 90 FJIC06 x 42"	2	LX95 / LX95W / LX95PW
Z52134	1/4" Hose, FJIC06 x Long 90 FJIC06 x 56"	2	LX95 / LX95W / LX95PW
Z52137	1/4" Hose, FJIC06 x FJIC06 x 15"	2	LX95 / LX95W / LX95PW
Z52138	1/4" Hose, FJIC06 x 90 FJIC06 x 82"	2	LX95 / LX95W / LX95PW
Z52259	3/8" Hose, 45FJIC08 x MP04 x 50"	4	LX95 / LX95W / LX95PW
Z52222	3/8" Hose, 45FJIC08 x MP04 x 52"	2	LX95W / LX95PW
Z52203	3/8" Hose, FJIC06 x FJIC06 x 15"	1	LX95W / LX95PW
Z52260	3/8" Hose, FJIC06 x MP08 x 48"	2	L301 Power Pack
Z52347	1/2" Hose, MP08 x MP08 x 30"	1	L301 Power Pack
Z52348	1/2" Hose, MP08 x MP08 x 78"	2	L101 Tractor Hydraulic Kit
Z52206	3/8" Hose #6FJICx#6FJIC 90x30"	1	L101 Tractor Hydraulic Kit

#20DK Seal Kit S20 Side Port

Model LX95W & LX95PW

#20BK Seal Kit

Z56604



Seal Kit (20DK)

ITEM NO.	QTY.	DESCRIPTION
1	3	ORING, 2012
2	1	O RING 2016 90D
3	3	STEEL SHIM
4	2	ORING, 3906

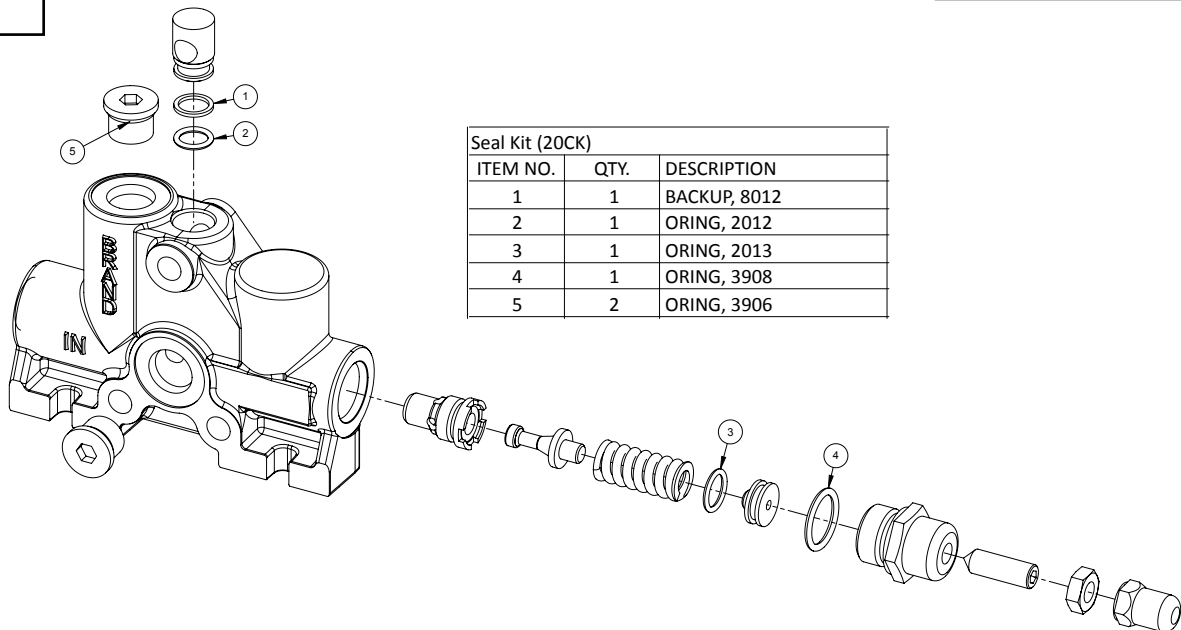
Seal Kit (20BK) (Between Sections)

ITEM NO.	QTY.	DESCRIPTION
1	3	ORING, 2012
2	1	O RING 2016 90D
3	3	STEEL SHIM

#20CK Seal Kit for S20 Inlet Side Port

Model LX95W & LX95PW

Z56601



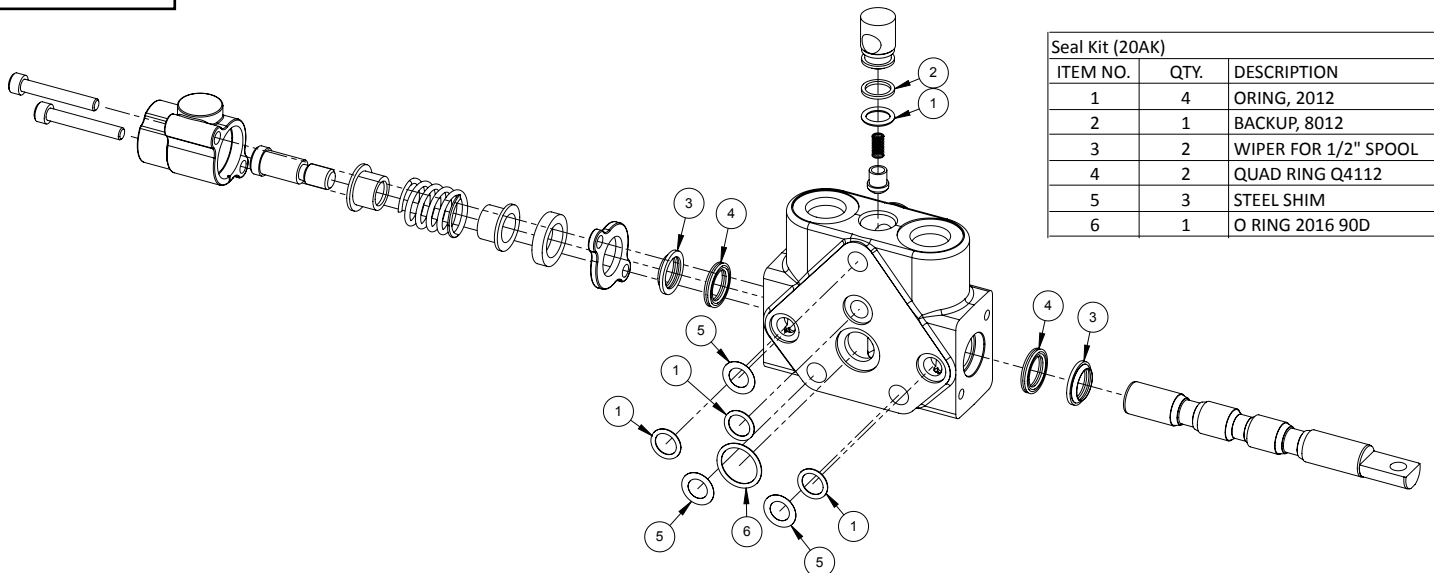
Seal Kit (20CK)

ITEM NO.	QTY.	DESCRIPTION
1	1	BACKUP, 8012
2	1	ORING, 2012
3	1	ORING, 2013
4	1	ORING, 3908
5	2	ORING, 3906

#20AK Seal Kit for S20 Work Sections

Model LX95W & LX95PW

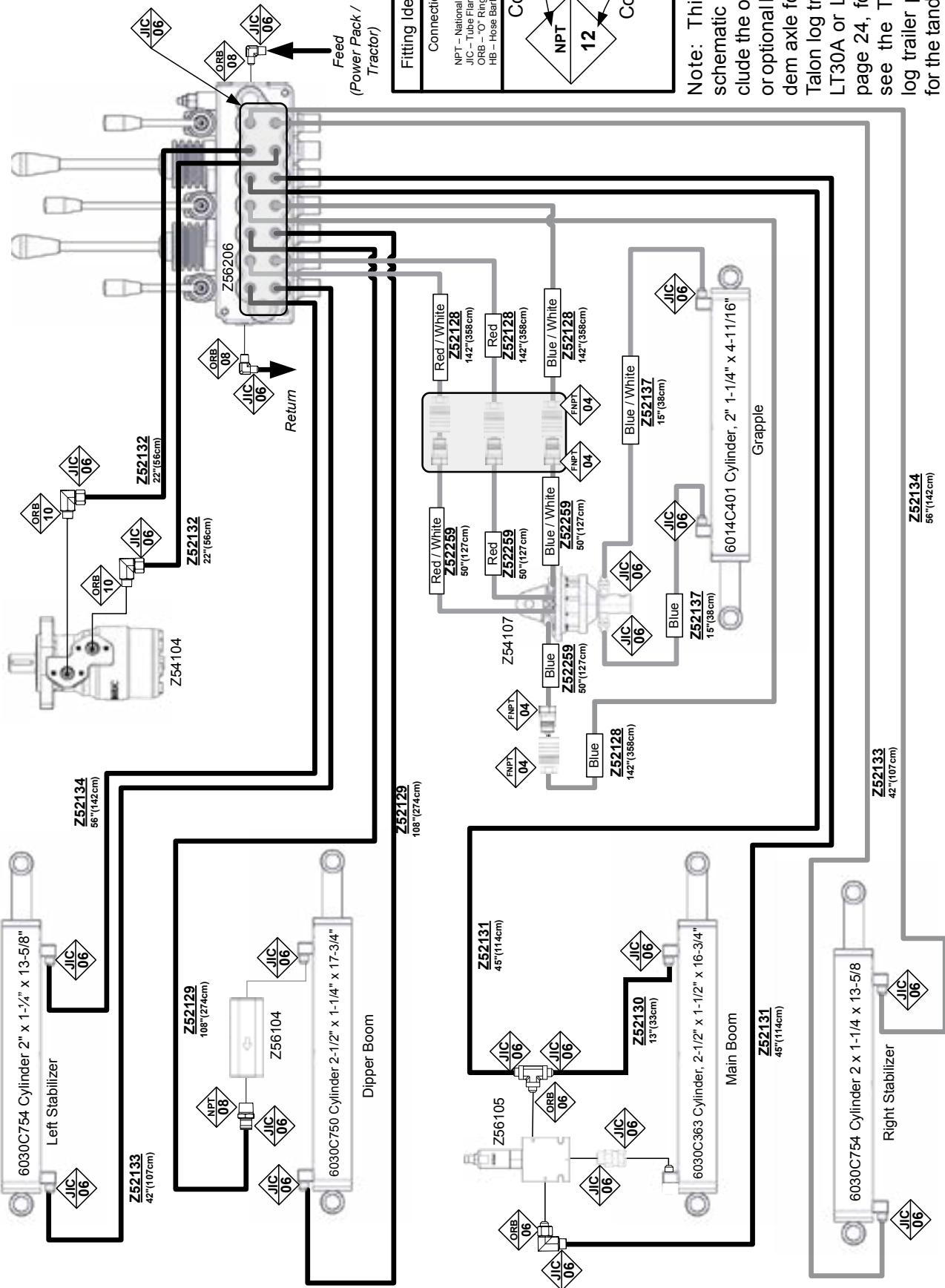
Z56602



Seal Kit (20AK)

ITEM NO.	QTY.	DESCRIPTION
1	4	ORING, 2012
2	1	BACKUP, 8012
3	2	WIPER FOR 1/2" SPOOL
4	2	QUAD RING Q4112
5	3	STEEL SHIM
6	1	O RING 2016 90D

Hydraulic Schematic

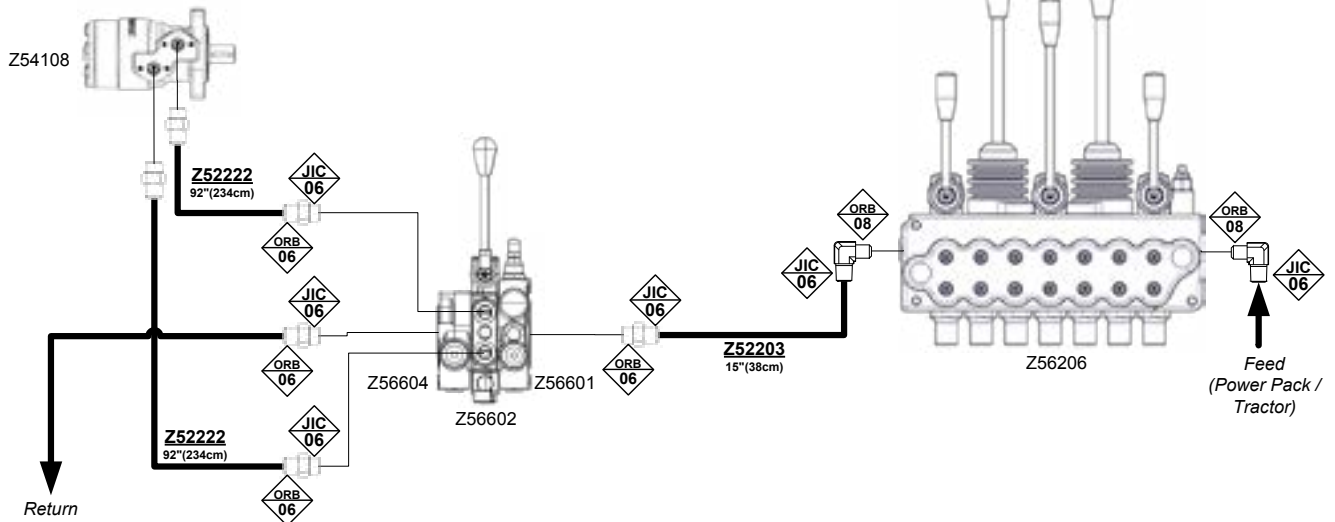


Fitting Identification
Connection Type
NPT - National Pipe Thread JIC - Tube Flare ORB - "O" Ring Boss HB - Hose Barb
Connection Type
NPT
Connection Size
12

Note: This hydraulic schematic does not include the optional winch or optional hydraulic tandem axle for the Timber Talon log trailer models: LT30A or LT30HA. See page 24, for the winch, see the Timber Talon log trailer parts manual for the tandem hydraulic schematic.

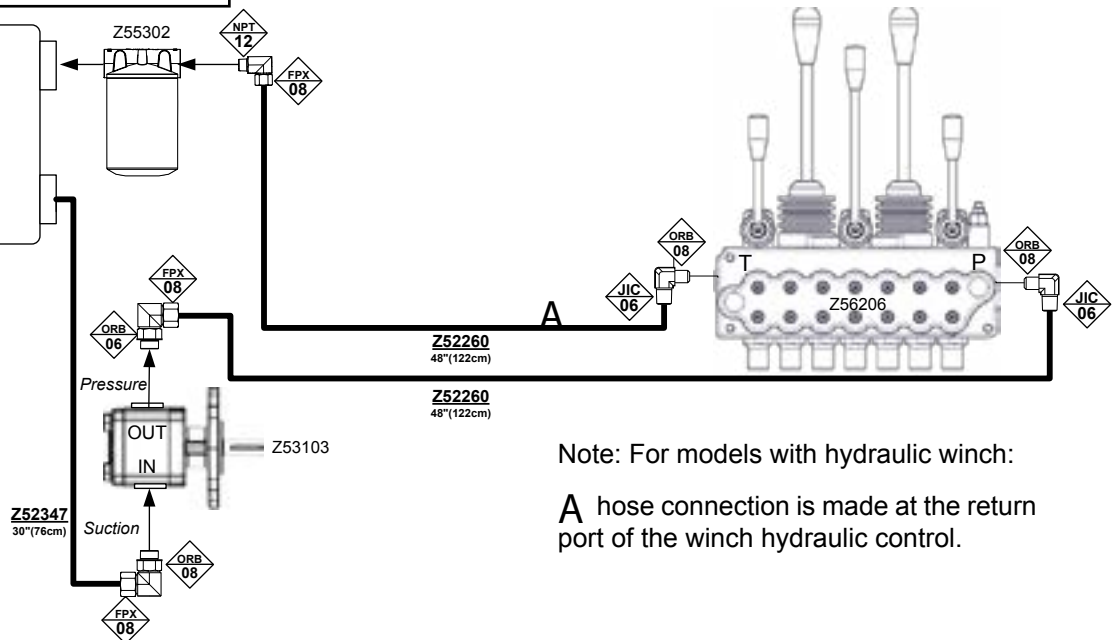
Hydraulic Schematic - Winch Option

Model LX95W & LX95PW



Hydraulic Schematic - Power Pack

Fitting Identification	
Connection Type	
NPT - National Pipe Thread	
JIC - Tube Flare	
ORB - "O" Ring Boss	
HB - Hose Barb	
Connection Type	
NPT	Type
12	Connection Size

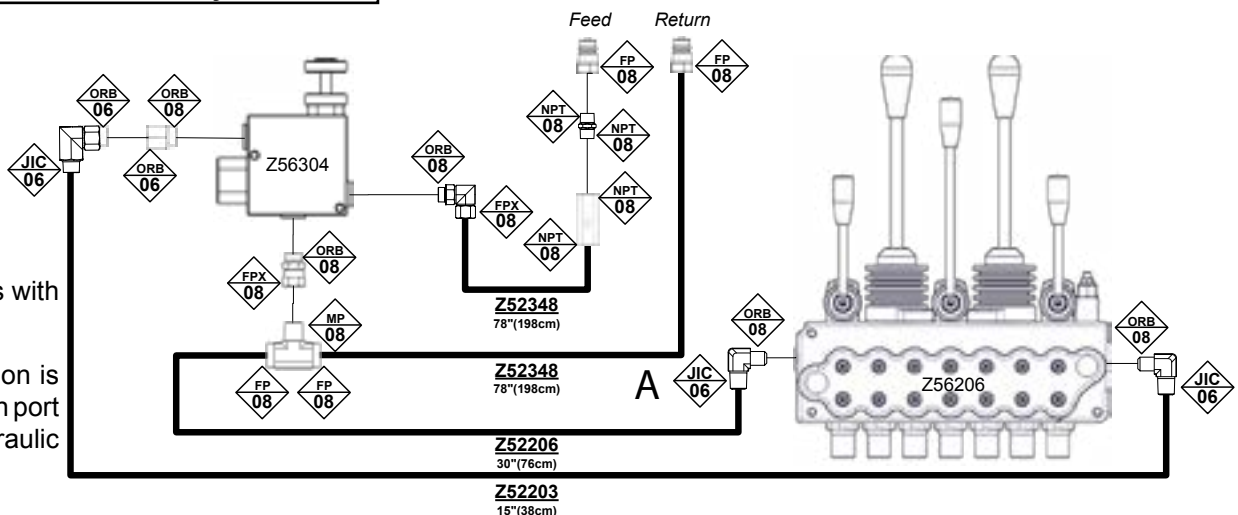


Note: For models with hydraulic winch:
A hose connection is made at the return port of the winch hydraulic control.

Hydraulic Schematic - Tractor Hydraulic Kit

Note: For models with hydraulic winch:

A hose connection is made at the return port of the winch hydraulic control.



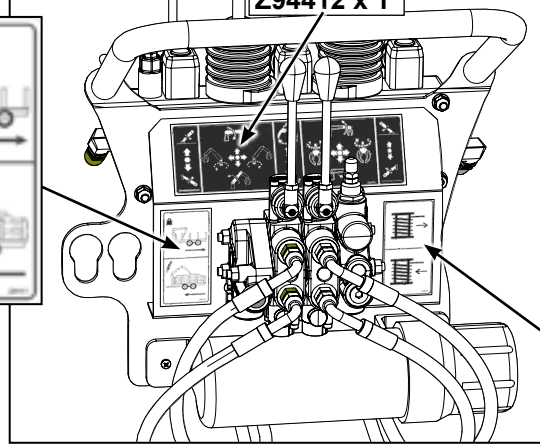
Labels

Note: Hydraulic Tandem Option, Only on grapples fitted to LT30A or LT30HA version Timber Talon Log Trailer

Z94117 x 1
LT30A - LT30HA



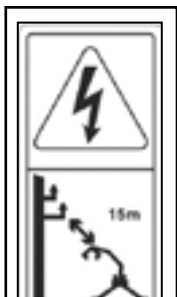
Z94412 x 1



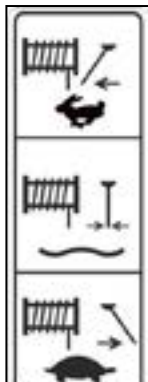
REMEMBER - If safety signs have been damaged, removed, become illegible or parts replaced without safety signs, new signs must be applied. New safety signs are available from your authorized dealer.



Z94401 x 1
LX95W - LX95PW



Z94211 x 1



Z94418 x 1



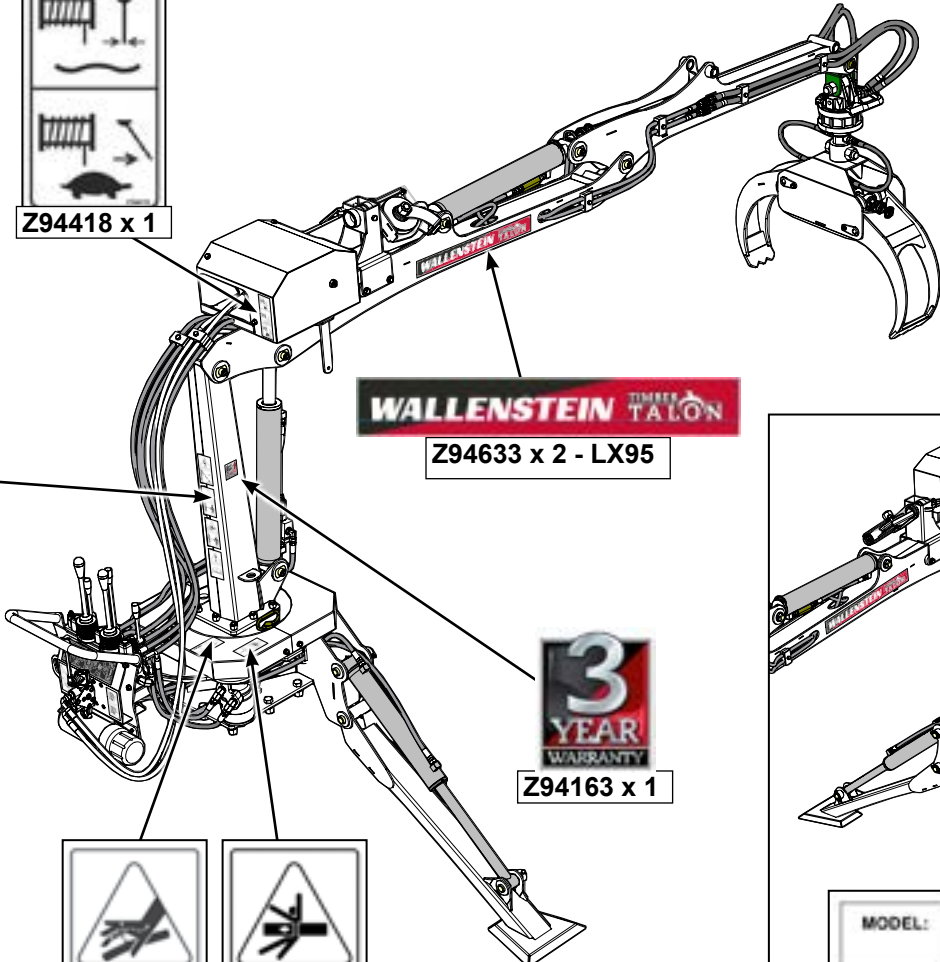
Z94210 x 1



Z94112 x 1



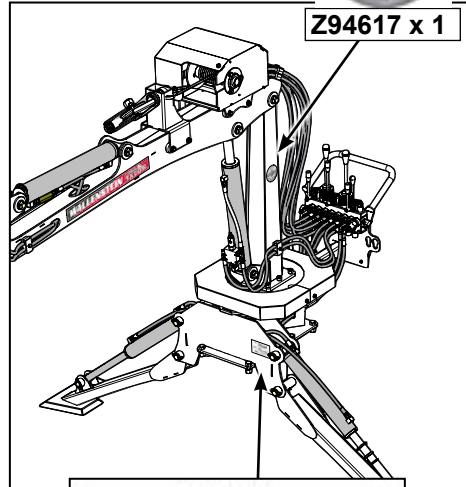
Z94119 x 1



Z94633 x 2 - LX95



Z94163 x 1



Z94617 x 1

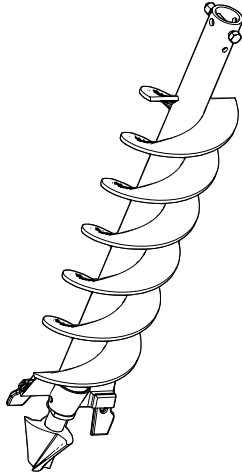


Serial Location

Accessories

Call your dealer for pricing and availability

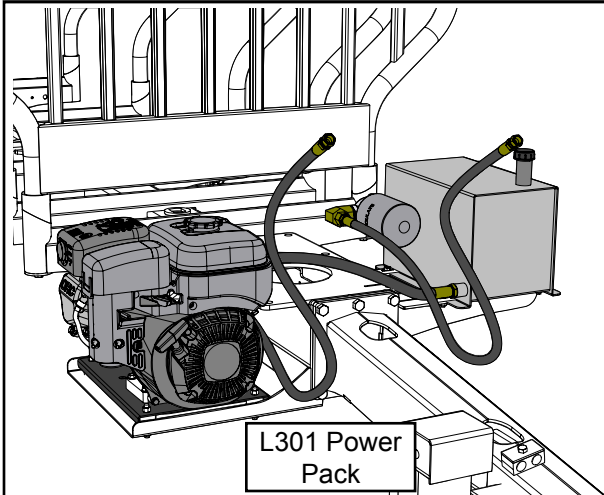
For replacement parts, go to www.embmfg.com and click on "Parts and Manuals" to download the latest parts manual for your model, then call your dealer to order.



#LA610 6" DIAMETER AUGER KIT #LA910 9" DIAMETER AUGER KIT

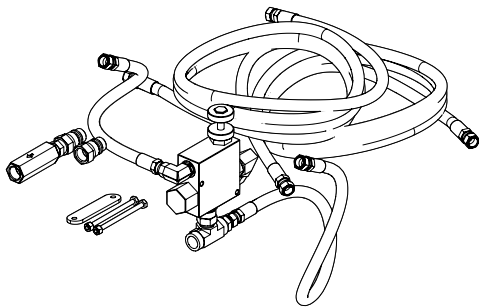
For **all LX models**.

A great way to get your fence post jobs done quickly and efficiently. Both hydraulic augers are capable of a hole depth of a 107 cm (42")



#L301 LX95 POWER PACK

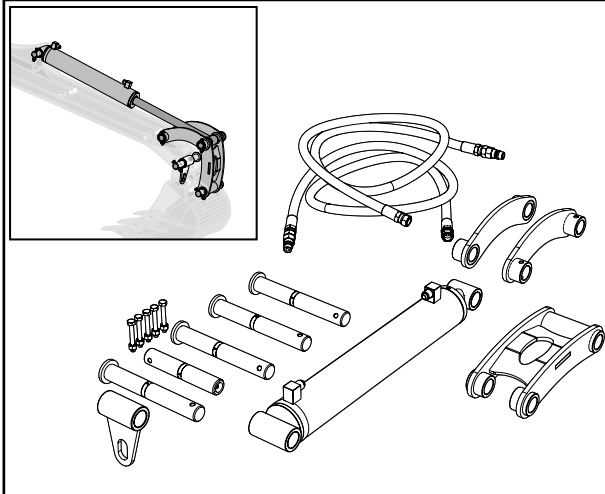
Independently power your LX grapple: the **L301 for LX95** features a 6HP Subaru engine. Power packs include hydraulic pump and 17.5 litre (4.6 us gal) reservoir tank.



#L101 TRACTOR HYDRAULIC KIT

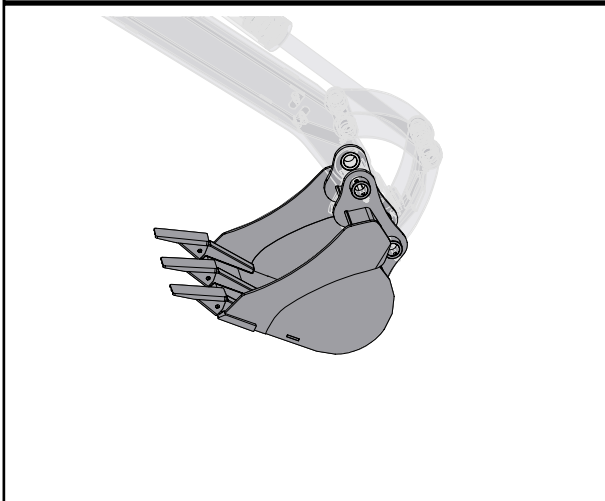
For **all LX models**

Makes use your existing tractor hydraulics, comes with everything you need to attach and control you hydraulics. Includes: flow control, hoses, and hardware



#BA201 BACK HOE KIT

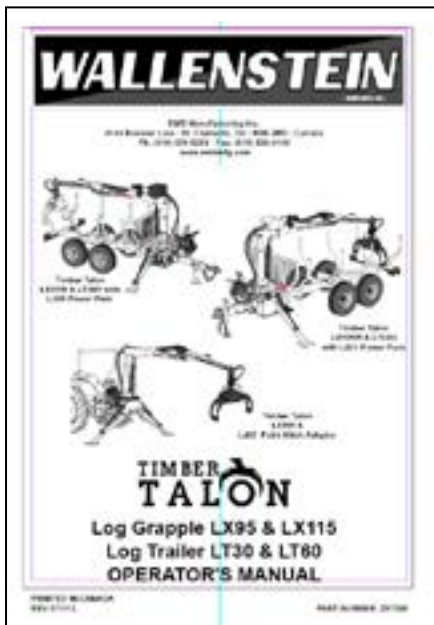
For **all LX models**. (Bucket not included)
 Trenching made easier with this great accessory, includes: hydraulic cylinder, hoses, bucket linkage, pins & hardware)



#BK SERIES BUCKET OPTIONS FOR #BA201 BACK HOE KIT:

Choose the bucket you need for the job at hand.
BK2690 9" 3 Tooth Bucket
BK2612 12" 3 Tooth Bucket
BK2615 15" 4 Tooth Bucket
BK2618 18" 4 Tooth Bucket

Manual



Z97068

Available as a download at
www.embmfg.com