



BXH42 Skidsteer Mounted Chipper Parts Manual

Prior to S/N A0881030



Foreword

EMB Mfg. has prepared this parts manual to assist customers in ordering quality OEM replacement parts.

Proper and regular service and replacing old, worn or broken parts with the correct Wallenstein parts are essential to prolonging the life of your Wallenstein product. Please refer to this manual before ordering any replacement parts.

All information contained in this parts manual is based on the latest product specification available at the time of printing this manual. If your product differs from the specifications contained within this manual contact EMB Mfg. for information.

EMB reserves the right to alter specifications on their products at any time.

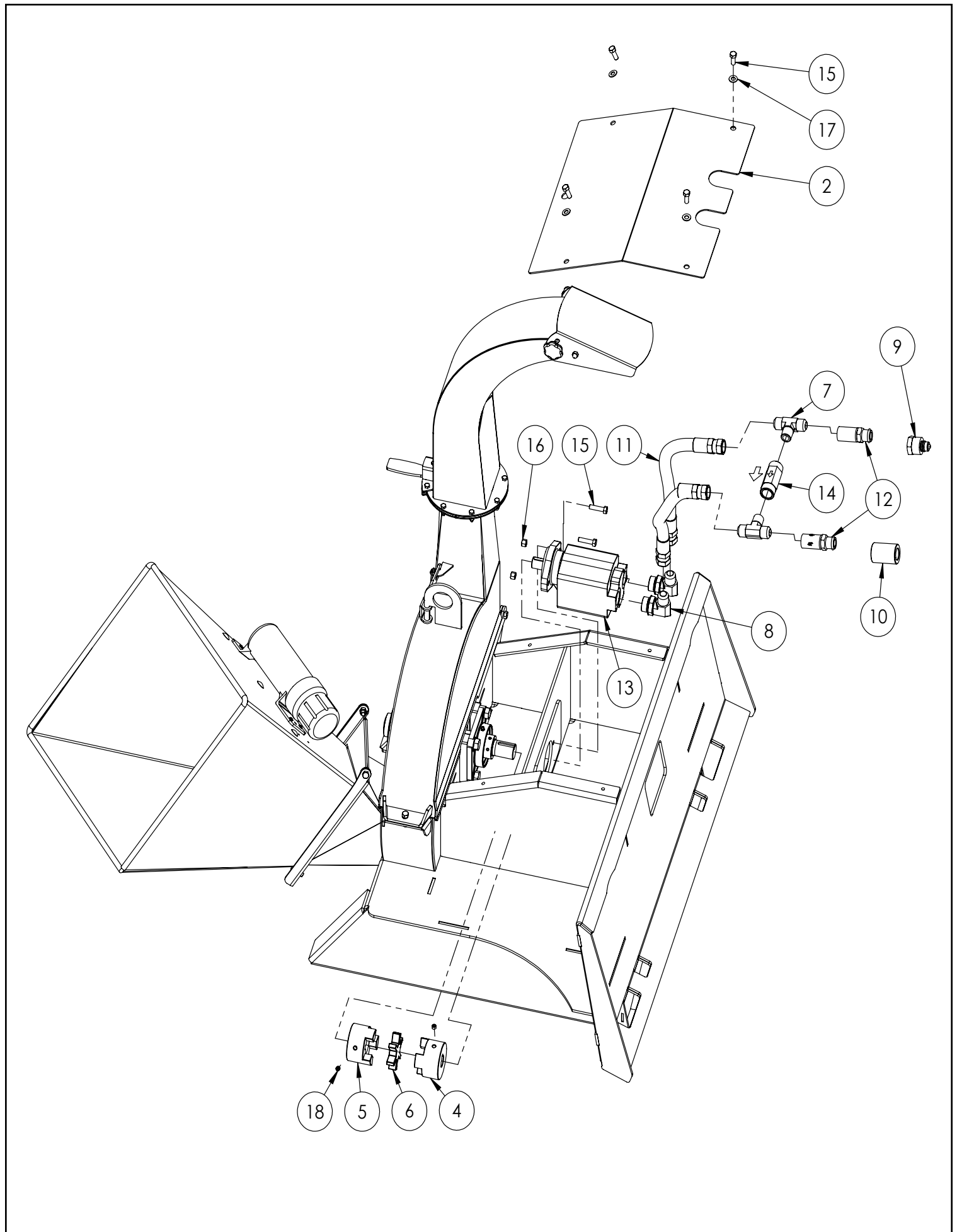
Reproduction of this parts manual of any kind is prohibited without prior written permission from EMB Mfg.

Table of Contents

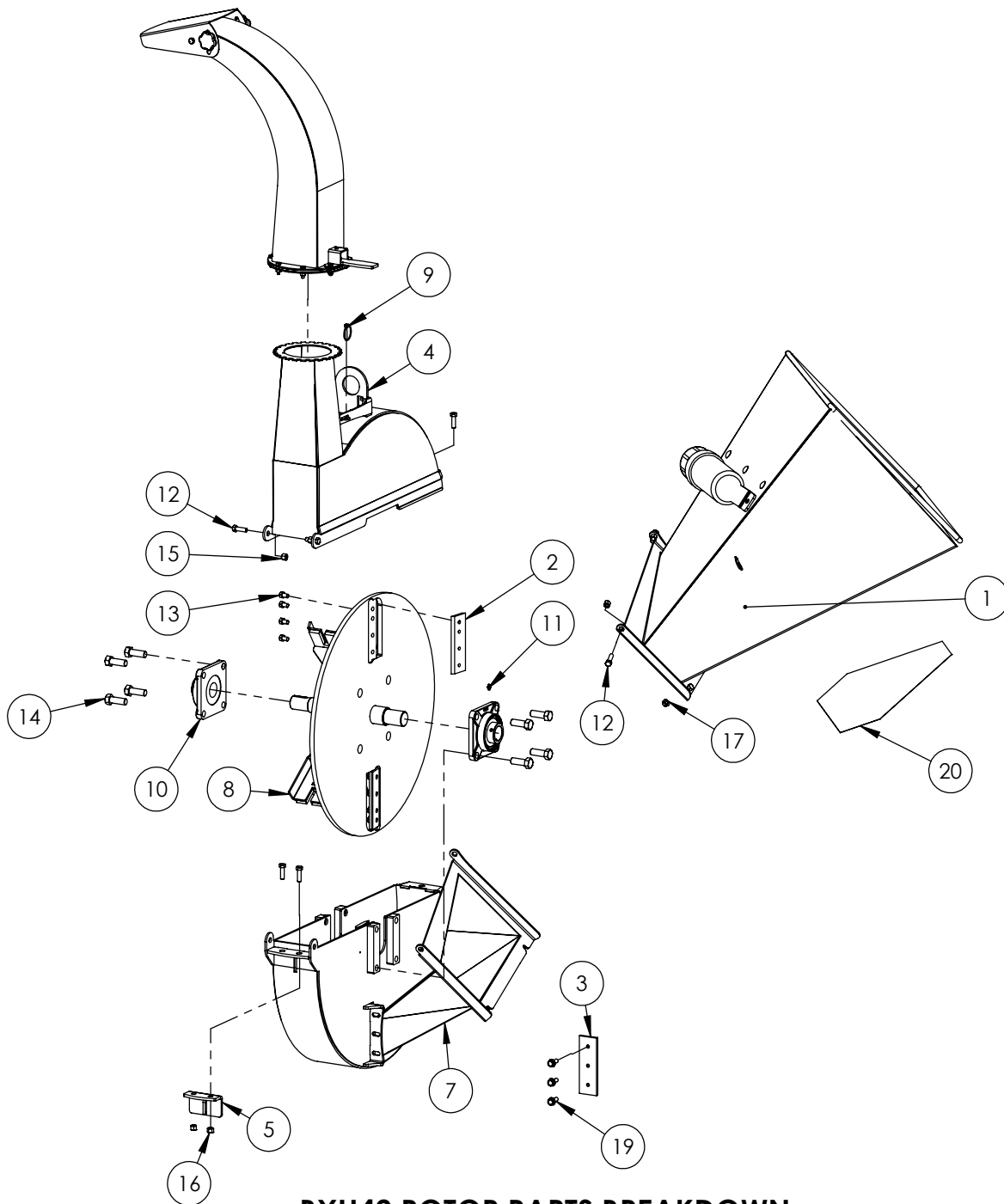
| | |
|-----------------|----|
| Main Parts | 4 |
| Rotor | 7 |
| Discharge Chute | 8 |
| Hopper | 9 |
| Decals | 10 |

BXH42 PARTS BREAKDOWN

| ITEM | BXH42 | DESCRIPTION | QTY. |
|------|----------|----------------------------------|------|
| 1 | 1031A100 | BX42 Housing and Rotor Assembly | 1 |
| 2 | 1031L110 | Guard, Top | 1 |
| 3 | 1031W101 | Main Frame | 1 |
| 4 | Z46401 | "G" Hub x 1 | 1 |
| 5 | Z46402 | "G" Hub x 1-3/8 | 1 |
| 6 | Z46403 | "G" Spider | 1 |
| 7 | Z51481 | Tee, MJIC x MJIC x MP 121212 | 2 |
| 8 | Z51652 | Elbow 90, MORB x MJIC 1612 | 2 |
| 9 | Z51906 | 3/4MP x Male Flat-Face Coupler | 1 |
| 10 | Z51907 | 3/4NPT x Fem Flat-Face Coupler | 1 |
| 11 | Z52401 | 3/4 Hose, 3/4FJIC x 3/4NPT x 24" | 2 |
| 12 | Z52402 | 3/4 Hose #12FJICX x 3/4MP x 42" | 2 |
| 13 | Z54101 | Central Hydraulic Motor | 1 |
| 14 | Z56101 | Check Valve 3/4FNPT 5 PSI | 1 |
| 15 | Z71315 | Hex Bolt 3/8NC x 1-1/2 | 6 |
| 16 | Z72231 | Hex Lock Nut 3/8NC | 2 |
| 17 | Z73130 | Flat Washer 3/8 | 4 |
| 18 | Z74130 | Set Screw 3/8NC | 2 |

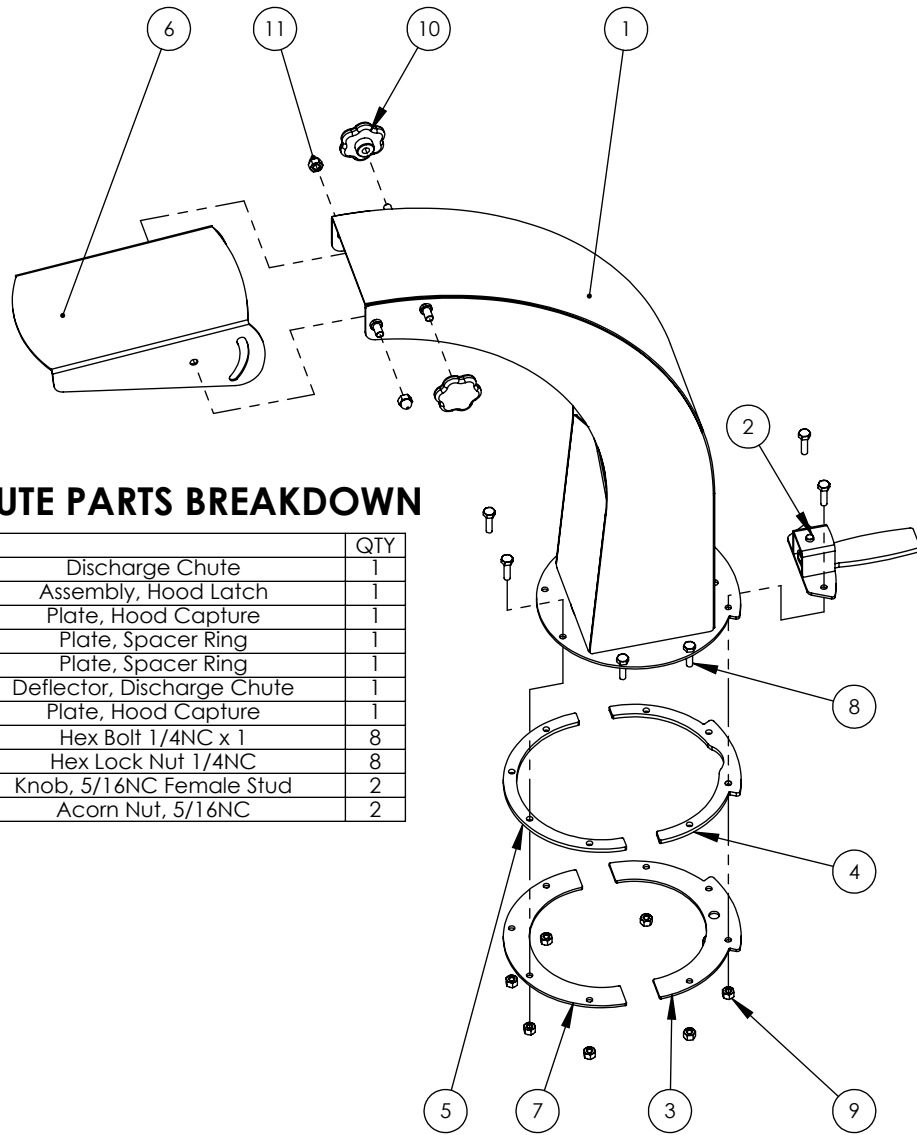


This Page is Intentionally Blank



BXH42 ROTOR PARTS BREAKDOWN

| ITEM | PART NO. | DESCRIPTION | QTY |
|------|----------|--------------------------------|-----|
| 1 | 1011A102 | Self-Feed Hopper | 1 |
| 2 | 1011M103 | Knife, 4" Rotor | 2 |
| 3 | 1011M104 | Knife, 4" Ledger | 1 |
| 4 | 1011W102 | Housing, Upper Rotor | 1 |
| 5 | 1011W104 | Twig Breaker | 1 |
| 7 | 1031W102 | Housing, Bottom Rotor | 1 |
| 8 | 1031W393 | BXH42 Rotor, 2-Knife | 1 |
| 9 | Z12110 | Latch Pin 3/16 | 1 |
| 10 | Z25204 | 4-Bolt Bearing 1-1/2" Bore | 2 |
| 11 | Z29202 | Grease Zerk 1/4NF | 2 |
| 12 | Z71312 | Hex Bolt 3/8NC x 1-1/4 | 7 |
| 13 | Z71372G8 | Hex Bolt, 3/8NF x 5/8 G8 | 8 |
| 14 | Z71672G8 | Hex Bolt, 5/8NF x 1-3/4 Gr8 | 8 |
| 15 | Z72231 | Hex Lock Nut 3/8NC | 5 |
| 16 | Z72231 | Hex Lock Nut 3/8NC | 1 |
| 17 | Z72531 | Flange Nut 3/8NC | 2 |
| 18 | Z74122 | Set Screw, 5/16NF | 4 |
| 19 | Z76132 | Flange Head Bolt 3/8NF x 1 Gr8 | 3 |
| 20 | Z94601 | Decal, SMV | 1 |

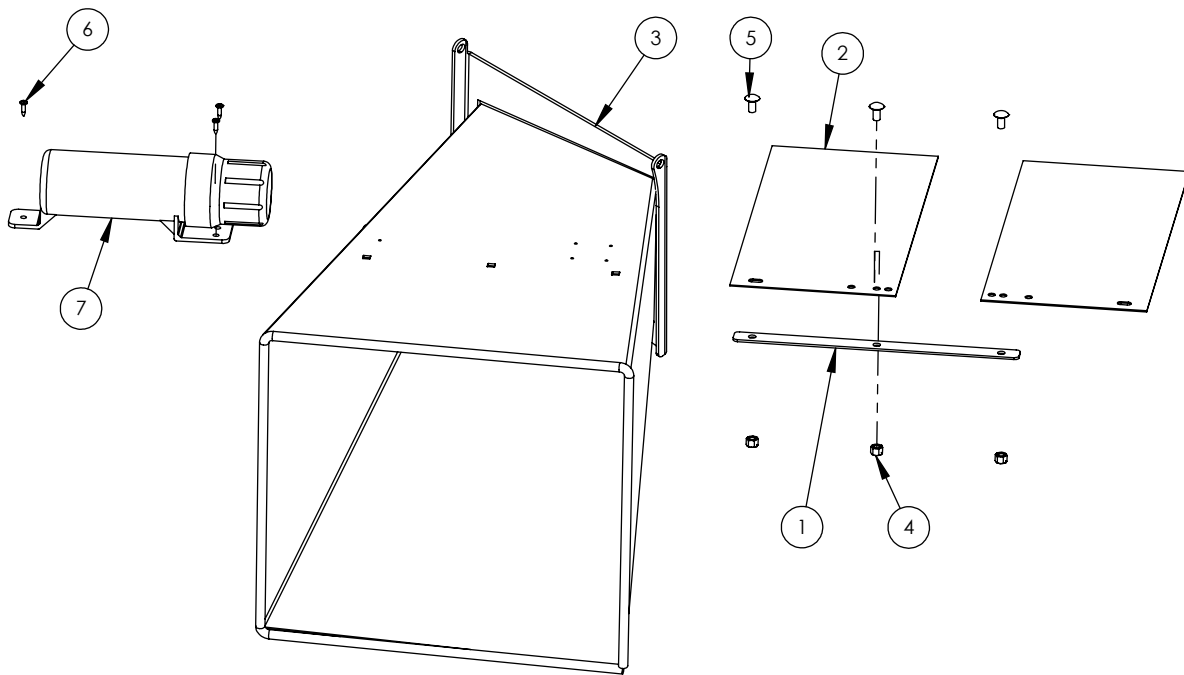


DISCHARGE CHUTE PARTS BREAKDOWN

| ITEM | PART NO. | | QTY |
|------|----------|----------------------------|-----|
| 1 | 1016W006 | Discharge Chute | 1 |
| 2 | 1012W208 | Assembly, Hood Latch | 1 |
| 3 | 1016L030 | Plate, Hood Capture | 1 |
| 4 | 1016L029 | Plate, Spacer Ring | 1 |
| 5 | 1016L027 | Plate, Spacer Ring | 1 |
| 6 | 1016L033 | Deflector, Discharge Chute | 1 |
| 7 | 1016L034 | Plate, Hood Capture | 1 |
| 8 | Z71110 | Hex Bolt 1/4NC x 1 | 8 |
| 9 | Z72111 | Hex Lock Nut 1/4NC | 8 |
| 10 | Z19313 | Knob, 5/16NC Female Stud | 2 |
| 11 | Z72914 | Acorn Nut, 5/16NC | 2 |

HOPPER PARTS BREAKDOWN

| ITEM | PART NO. | DESCRIPTION | QTY |
|------|----------|---------------------------|-----|
| 1 | 1011L151 | Strap, Hopper Flap | 1 |
| 2 | 1011S103 | Flap, Hopper | 2 |
| 3 | 1011W107 | Weldment, Infeed Hopper | 1 |
| 4 | Z72231 | Hex Lock Nut 3/8NC | 3 |
| 5 | Z76233 | Carriage Bolt 3/8NC x 3/4 | 3 |
| 6 | Z76712 | Self-tapping Screw #10 | 3 |
| 7 | Z96503 | Manual Tube 3-1/2 Short | 1 |

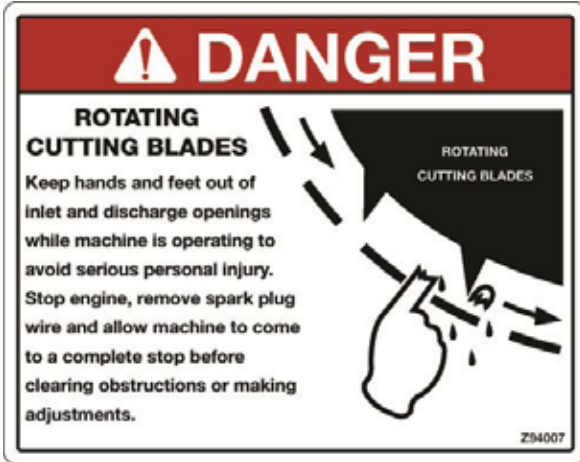


Decals BXH42

Z94056



Z94007



Z94006



Z94008



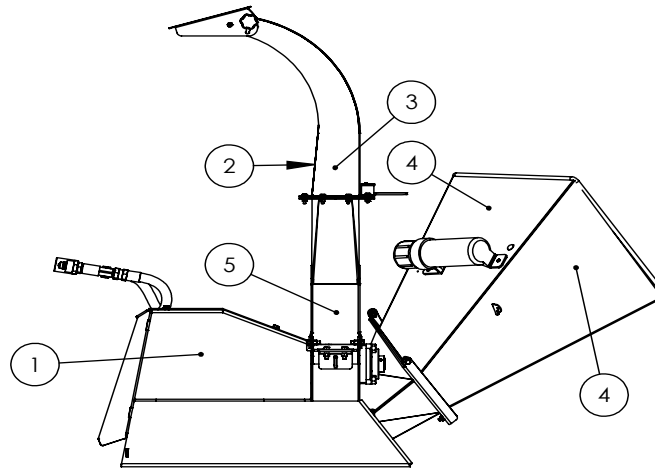
Z94019



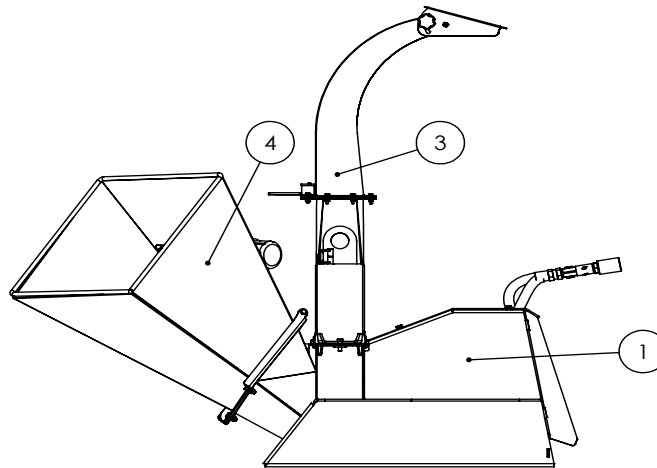
BXH42 DECAL BREAKDOWN

| ITEM | PART NO. | DESCRIPTION | QTY |
|------|----------|-------------------------------|-----|
| 1 | Z94056 | WALLENSTEIN Decal | 3 |
| 2 | Z94019 | 1" Dia. Made In Canada | 4 |
| 3 | Z94008 | DANGER - Thrown Object Hazard | 2 |
| 4 | Z94007 | DANGER - Rotating Blades | 3 |
| 5 | Z94006 | CAUTION - Read Manual | 1 |

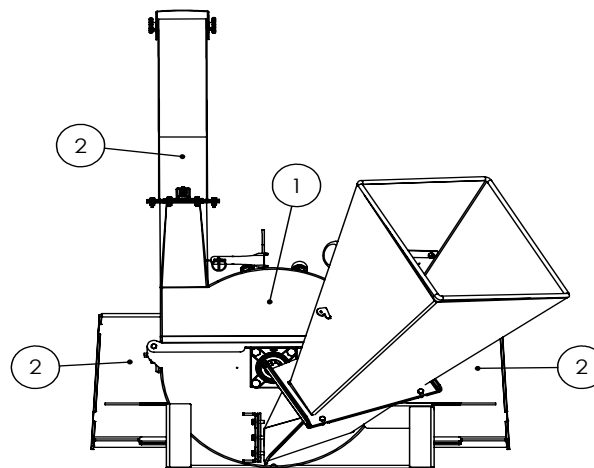
RIGHT



LEFT



FRONT





WALLENSTEIN Products Manufactured by:

EMB MFG Inc.

4144 Boomer Line
St. Clements, Ontario
Canada N0B 2M0
Phone: 1-877-695-9283
Fax: 519-699-4146
www.embmfg.com