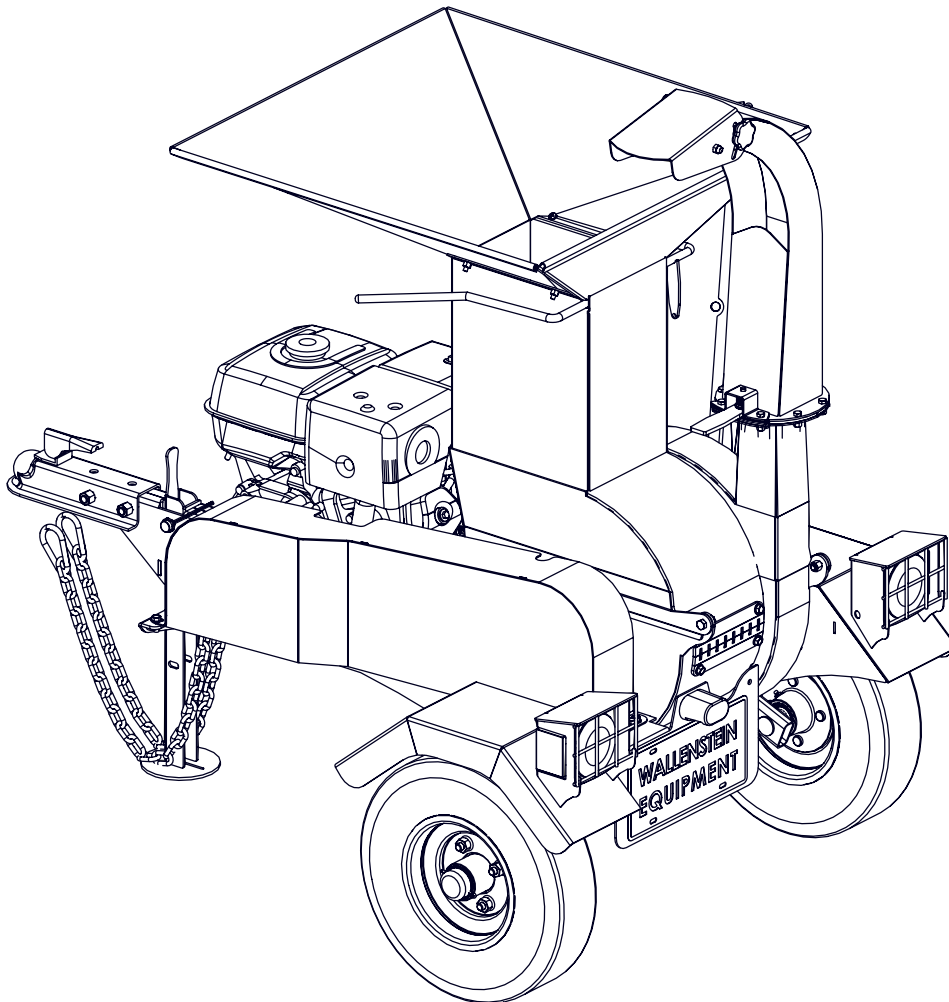




EMB Manufacturing Inc.
4144 Boomer Line · St. Clements, On · N0B 2M0 · Canada
Ph: (519) 699-9283 · Fax: (519) 699-4146
www.wallensteinequipment.com

BXMT3213 Chipper-Shredder Parts Manual

S/N 2E9US1119ES040270 – 2E9US1116HS040410



Refer to the operators
manual for safe
operation and
maintenance

Foreword

EMB Mfg. has prepared this parts manual to assist customers in ordering quality OEM replacement parts.

Proper and regular service and replacing old, worn or broken parts with the correct OEM parts are essential to prolonging the life of your EMB product. Please refer to this manual before ordering any replacement parts.

All information contained in this parts manual is based on the latest product specification available at the time of printing this manual. If your product differs from the specifications contained within this manual contact EMB Mfg. for information.

EMB reserves the right to alter specifications on their products at any time.

Reproduction of this parts manual of any kind is prohibited without prior written permission from EMB Mfg.

For parts and information please contact your dealer. If your dealer is no longer available please go to our website: <http://www.wallensteinequipment.com> and click on "FIND A DEALER NEAR YOU" for information on a local dealer.

Table of Contents

Bolt Torque.....	4
Hydraulic Fitting Torque	5
Wheel Lug Torque	5
Main Parts.....	6
Blower Assembly	7
Rotor	8
Discharge Chute Assembly	8
Tongue Ass'y	9
Torflex With Hub Ass'y	9
Hopper Flap Detail	10
Wiring Diagram	10
Label Layout.....	11
Accessories.....	15

Maintenance should be performed by
trained personnel only.



Refer to the operators
manual for safe
operation and
maintenance

Bolt Torque

CHECKING BOLT TORQUE

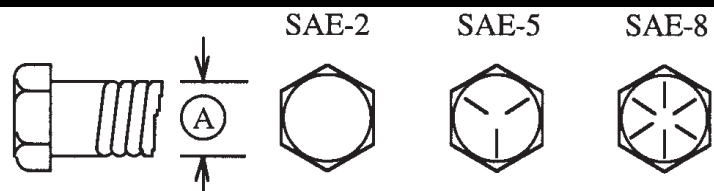
The tables shown below give correct torque values for various bolts and capscrews. Tighten all bolts to the torques specified in chart unless otherwise noted. Check tightness of bolts periodically, using bolt torque chart as a guide. Replace hardware with the same strength bolt.

Torque figures indicated above are valid for non-greased or non-oiled threads and heads unless otherwise specified. Therefore, do not grease or oil bolts or capscrews unless otherwise specified in this manual. When using locking elements, increase torque values by 5%.

* Torque value for bolts and capscrews are identified by their head markings.

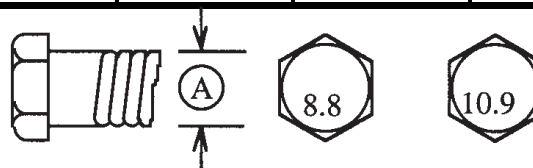
ENGLISH TORQUE SPECIFICATIONS

Bolt Diameter "A"	Bolt Torque*					
	SAE 2 (N.m) (lb-ft)		SAE 5 (N.m) (lb-ft)		SAE 8 (N.m) (lb-ft)	
1/4"	8	6	12	9	17	12
5/16"	13	10	25	19	36	27
3/8"	27	20	45	33	63	45
7/16"	41	30	72	53	100	75
1/2"	61	45	110	80	155	115
9/16"	95	60	155	115	220	165
5/8"	128	95	215	160	305	220
3/4"	225	165	390	290	540	400
7/8"	230	170	570	420	880	650
1"	345	225	850	630	1320	970



METRIC TORQUE SPECIFICATIONS

Bolt Diameter "A"	Bolt Torque*			
	8.8 (N.m) (lb-ft)		10.9 (N.m) (lb-ft)	
M3	0.5	0.4	1.8	1.3
M4	3	2.2	4.5	3.3
M5	6	4	9	7
M6	10	7	15	11
M8	25	18	35	26
M10	50	37	70	52
M12	90	66	125	92
M14	140	103	200	148
M16	225	166	310	229
M20	435	321	610	450
M24	750	553	1050	774
M30	1495	1103	2100	1550
M36	2600	1917	3675	2710



Hydraulic Fitting Torque

Tightening Flare Type Tube Fittings *

1. Check flare and flare seat for defects that might cause leakage.
2. Align tube with fitting before tightening.
3. Lubricate connection and hand tighten swivel nut until snug.
4. To prevent twisting the tube(s), use two wrenches. Place one wrench on the connector body and with the second tighten the swivel nut to the torque shown.

Tube Size OD (in.)	Nut Size Across Flats (in.)	Torque Value*		Recommended Turns To Tighten (After Finger Tightening)	
		(N.m)	(lb-ft)	(Flats)	(Turn)
3/16	7/16	8	6	1	1/6
1/4	9/16	12	9	1	1/6
5/16	5/8	16	12	1	1/6
3/8	11/16	24	18	1	1/6
1/2	7/8	46	34	1	1/6
5/8	1	62	46	1	1/6
3/4	1-1/4	102	75	3/4	1/8
7/8	1-3/8	122	90	3/4	1/8

The torque values shown are based on lubricated connections as in reassembly.

Wheel Lug Torque

It is extremely important safety procedure to apply and maintain proper wheel mounting torque on your trailer axle. Torque wrenches are the best method to assure the proper amount of torque is being applied to a fastener.

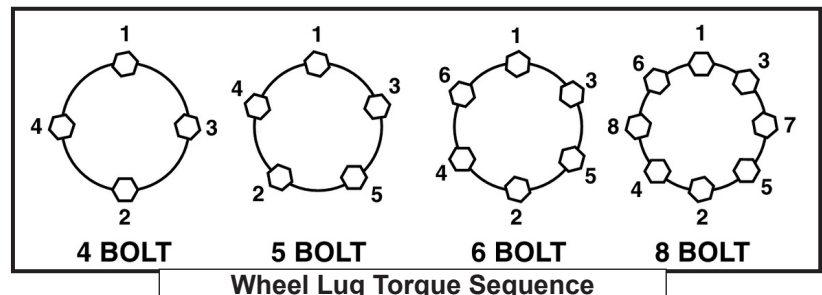
Wheel lugs should be torqued before first road use and after each wheel removal. Check and re torque after the first 16Km (10 miles), 40Km (25 miles), and again at 80Km (50 miles). Check periodically thereafter.

Note: Wheel lugs must be applied and maintained at the proper torque levels to prevent loose wheels, broken studs, and possible dangerous separation of wheels from your axle.

- Start all lugs by hand to prevent cross threading.
- Tighten lugs in sequence, per wheel lug torque sequence chart.
- The tightening of the fasteners should be done in stages. Following the recommended sequence, tighten fasteners per wheel torque requirements chart.

Wheel Torque Requirements

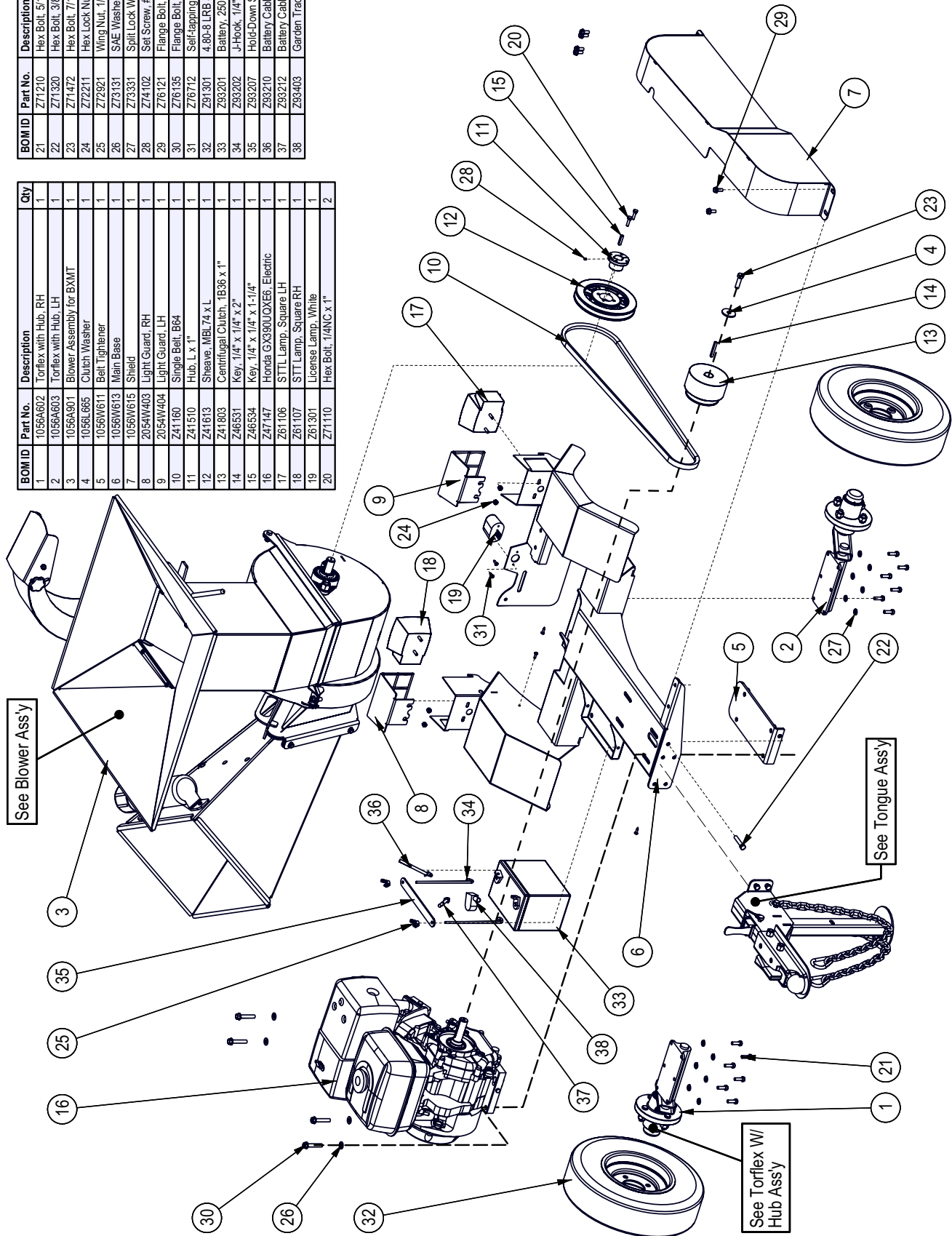
Wheel Size	Torque Unit	1st Stage	2nd Stage	3rd Stage
8"	ft-lbs	12 - 20	30 - 35	45 - 55
	Nm	16 - 26	39 - 45.5	58.5 - 71.5
12"	ft-lbs	20 - 25	35 - 40	50 - 60
	Nm	26 - 32.5	45.5 - 52	65 - 78
13"	ft-lbs	20 - 25	35 - 40	50 - 60
	Nm	26 - 32.5	45.5 - 52	65 - 78
14"	ft-lbs	20 - 25	50 - 60	90 - 120
	Nm	26 - 32.5	65 - 78	117 - 156
15"	ft-lbs	20 - 25	50 - 60	90 - 120
	Nm	26 - 32.5	65 - 78	117 - 156
16"	ft-lbs	20 - 25	50 - 60	90 - 120
	Nm	26 - 32.5	65 - 78	117 - 156



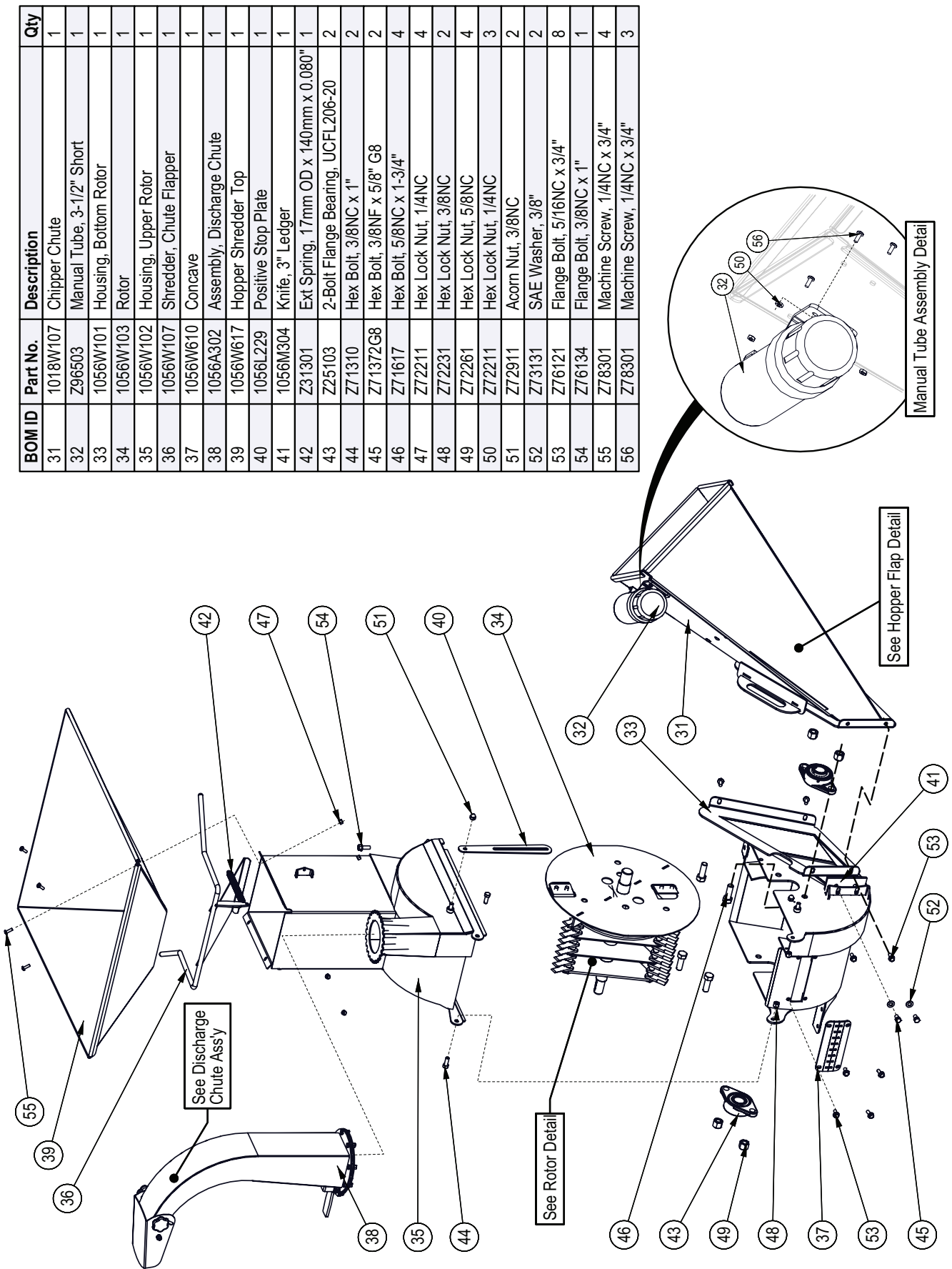
Main Parts

BOM ID	Part No.	Description	Qty
21	Z71210	Hex Bolt, 5/16NC x 1"	12
22	Z71320	Hex Bolt, 3/8NC x 2"	1
23	Z71472	Hex Bolt, 7/16NF x 1-1/2"	1
24	Z72211	Hex Lock Nut, 1/4NC	4
25	Z72921	Wing Nut, 1/4NC	2
26	Z73131	SAE Washer, 3/8"	4
27	Z73331	Split Lock Washer, 3/8"	12
28	Z74102	Set Screw, #10NC x 1/4"	1
29	Z76121	Flange Bolt, 5/16NC x 3/4"	6
30	Z76135	Flange Bolt, 3/8NC x 2"	4
31	Z76712	Self-Lapping Screw, #10 x 3/4"	5
32	Z91301	4.89-8 LRB SportTrail 4.0m4"	2
33	Z93201	Battery, 250CCA	1
34	Z93202	J-Hook, 1/4" x 7"	2
35	Z93207	Hold-Down Strap, 1" x 8-1/2"	1
36	Z93210	Battery Cable, Negative x 25"	1
37	Z93212	Battery Cable, Positive x 28"	1
38	Z93403	Garden Tractor Terminal Protector - Red	1

BOM ID	Part No.	Description	Qty
1	1056A802	Torflex with Hub, RH	1
2	1056A803	Torflex with Hub, LH	1
3	1056A901	Blower Assembly for BXMT	1
4	1056L665	Clutch Washer	1
5	1056W611	Belt Tightener	1
6	1056W613	Main Base	1
7	1056W615	Shield	1
8	2054W403	Light Guard, RH	1
9	2054W404	Light Guard, LH	1
10	Z41160	Single Belt, B64	1
11	Z411510	Hub, L x 1"	1
12	Z41613	Sheave, MBL 7/4 x L	1
13	Z41803	Centrifugal Clutch, 1B36 x 1"	1
14	Z46531	Key, 1/4" x 1/4" x 2"	1
15	Z46534	Key, 1/4" x 1/4" x 1-1/4"	1
16	Z47147	Honda GX390QXEB, Electric	1
17	Z81106	STL Lamp, Square LH	1
18	Z81107	STL Lamp, Square RH	1
19	Z81301	License Lamp, White	1
20	Z711110	Hex Bolt, 1/4NC x 1"	2

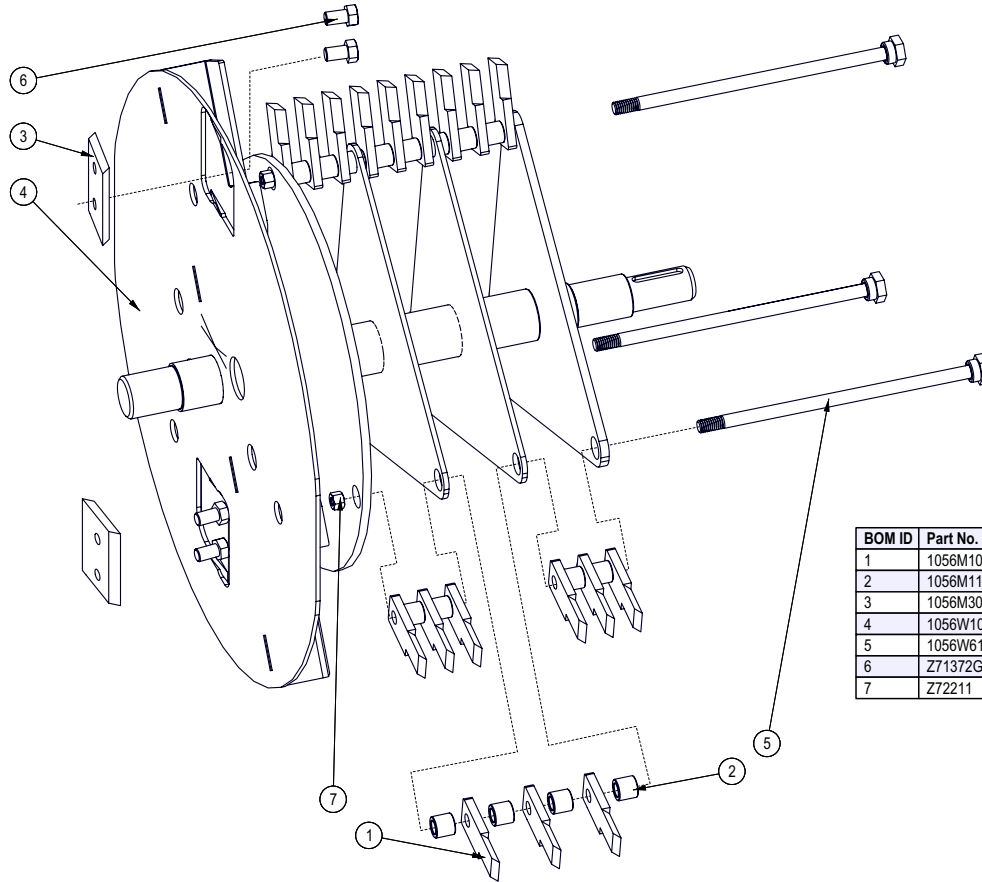


Blower Assembly



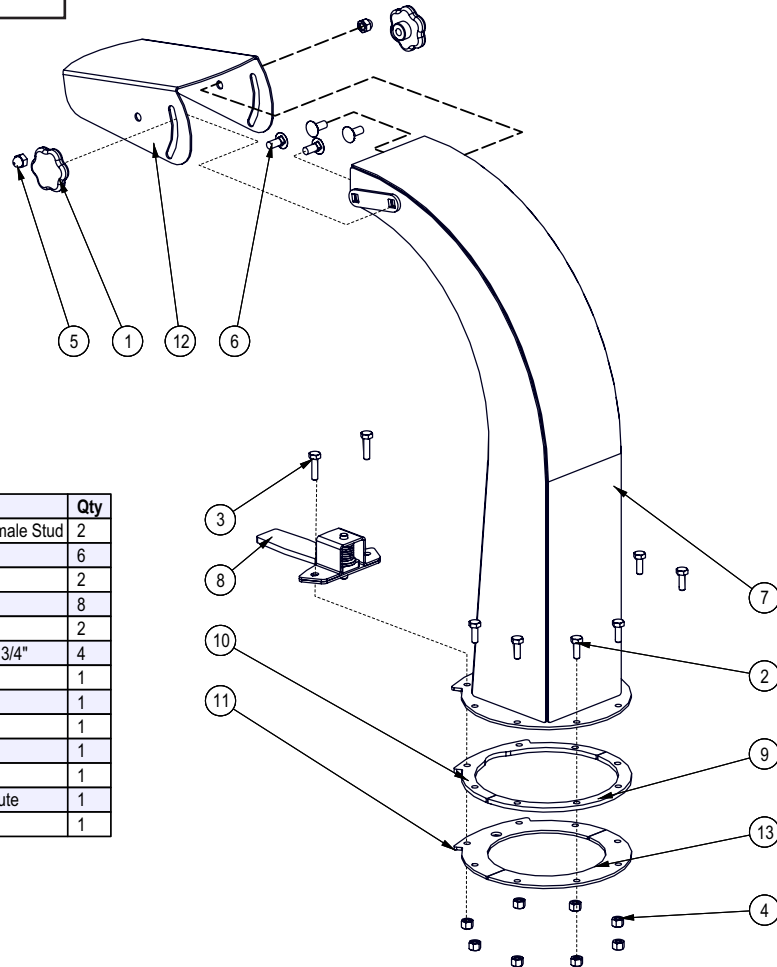
BOM ID	Part No.	Description	Qty
31	1018W107	Chipper Chute	1
32	Z96503	Manual Tube, 3-1/2" Short	1
33	1056W101	Housing, Bottom Rotor	1
34	1056W103	Rotor	1
35	1056W102	Housing, Upper Rotor	1
36	1056W107	Shredder, Chute Flapper	1
37	1056W610	Concave	1
38	1056A302	Assembly, Discharge Chute	1
39	1056W617	Hopper Shredder Top	1
40	1056L229	Positive Stop Plate	1
41	1056M304	Knife, 3" Ledger	1
42	Z31301	Ext Spring, 17mm OD x 140mm x 0.080"	1
43	Z25103	2-Bolt Flange Bearing, UCFL206-20	2
44	Z71310	Hex Bolt, 3/8NC x 1"	2
45	Z71372G8	Hex Bolt, 3/8NF x 5/8" G8	2
46	Z71617	Hex Bolt, 5/8NC x 1-3/4"	4
47	Z72211	Hex Lock Nut, 1/4NC	4
48	Z72231	Hex Lock Nut, 3/8NC	2
49	Z72261	Hex Lock Nut, 5/8NC	4
50	Z72211	Hex Lock Nut, 1/4NC	3
51	Z72911	Acorn Nut, 3/8NC	2
52	Z73131	SAE Washer, 3/8"	2
53	Z76121	Flange Bolt, 5/16NC x 3/4"	8
54	Z76134	Flange Bolt, 3/8NC x 1"	1
55	Z78301	Machine Screw, 1/4NC x 3/4"	4
56	Z78301	Machine Screw, 1/4NC x 3/4"	3

Rotor



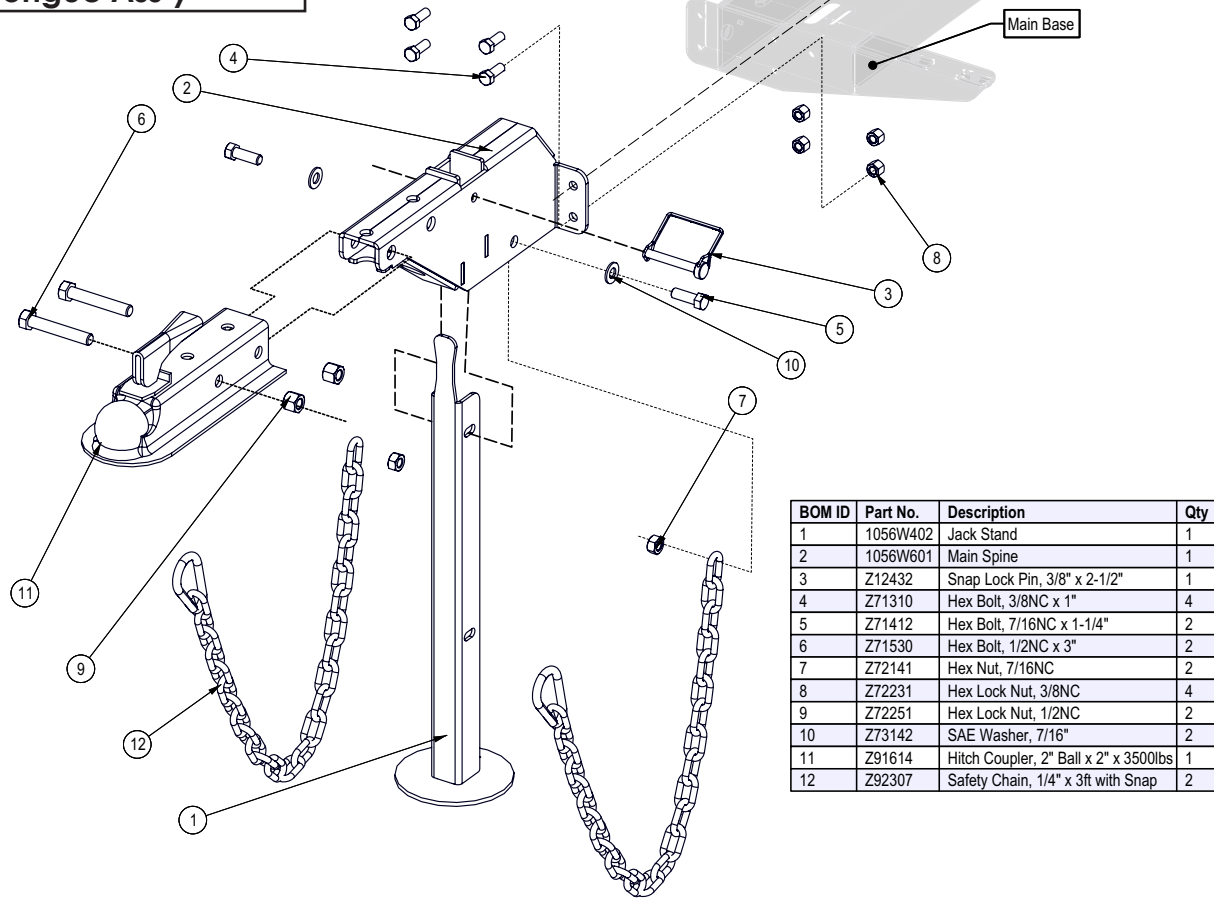
BOM ID	Part No.	Description	Qty
1	1056M108	Knife,Shredder	27
2	1056M115	Spacer, Shredder .580	24
3	1056M303	Knife, 3" Rotor	2
4	1056W103	Rotor	1
5	1056W614	Hammer Retainer Pin	3
6	Z71372G8	Hex Bolt, 3/8NF x 5/8" G8	4
7	Z72211	Hex Lock Nut, 1/4NC	3

Discharge Chute Assembly



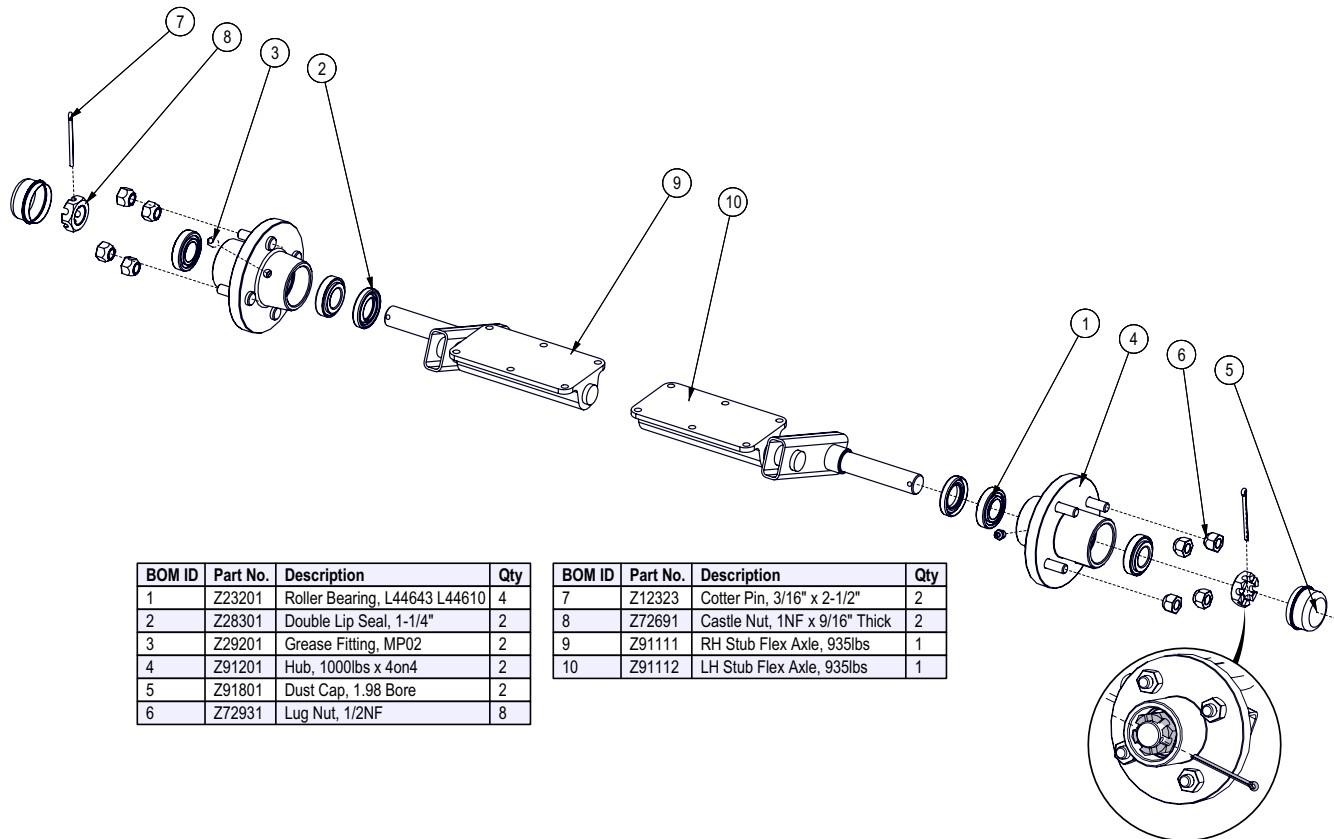
BOM ID	Part No.	Description	Qty
1	Z19313	Hand Knob, 5/16NC Female Stud	2
2	Z71107	Hex Bolt, 1/4NC x 3/4"	6
3	Z71110	Hex Bolt, 1/4NC x 1"	2
4	Z72211	Hex Lock Nut, 1/4NC	8
5	Z72914	Acorn Nut, 5/16NC	2
6	Z76221	Carriage Bolt, 5/16NC x 3/4"	4
7	1056W307	Discharge Chute	1
8	1012W208	Assembly, Hood Latch	1
9	1056L327	Ring	1
10	1056L329	Plate, Spacer Ring	1
11	1056L330	Plate, Hood Capture	1
12	1056L333	Deflector, Discharge Chute	1
13	1056L334	Ring	1

Tongue Ass'y



BOM ID	Part No.	Description	Qty
1	1056W402	Jack Stand	1
2	1056W601	Main Spine	1
3	Z12432	Snap Lock Pin, 3/8" x 2-1/2"	1
4	Z71310	Hex Bolt, 3/8NC x 1"	4
5	Z71412	Hex Bolt, 7/16NC x 1-1/4"	2
6	Z71530	Hex Bolt, 1/2NC x 3"	2
7	Z72141	Hex Nut, 7/16NC	2
8	Z72231	Hex Lock Nut, 3/8NC	4
9	Z72251	Hex Lock Nut, 1/2NC	2
10	Z73142	SAE Washer, 7/16"	2
11	Z91614	Hitch Coupler, 2" Ball x 2" x 3500lbs	1
12	Z92307	Safety Chain, 1/4" x 3ft with Snap	2

Torflex With Hub Ass'y

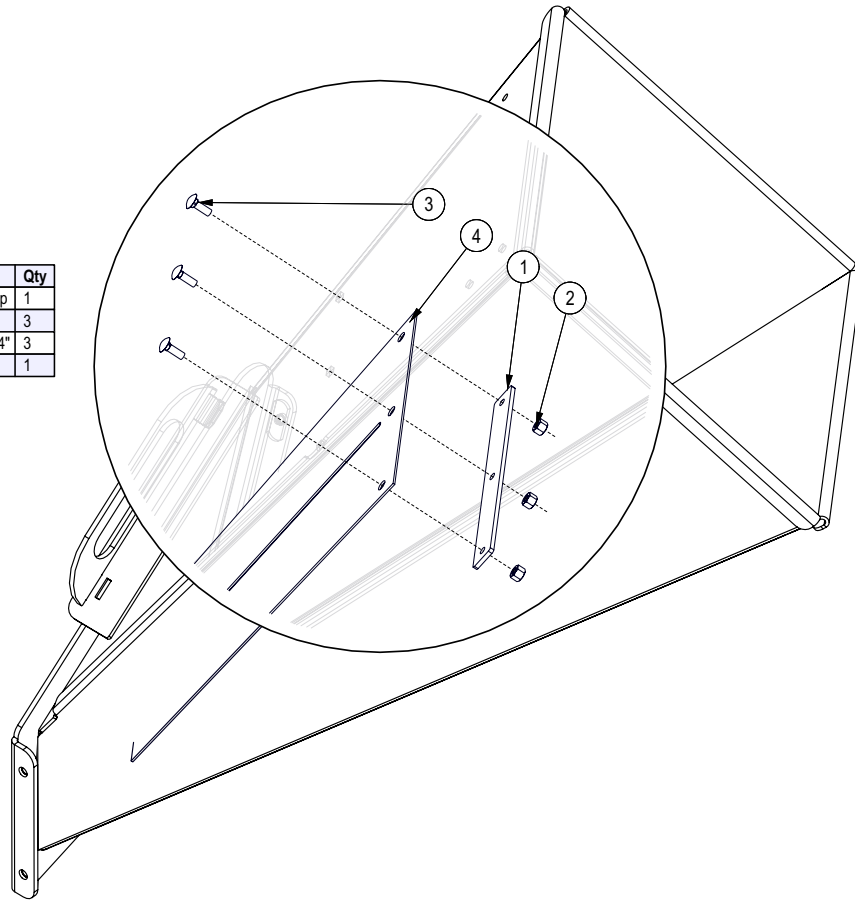


BOM ID	Part No.	Description	Qty
1	Z23201	Roller Bearing, L44643 L44610	4
2	Z28301	Double Lip Seal, 1-1/4"	2
3	Z29201	Grease Fitting, MP02	2
4	Z91201	Hub, 1000lbs x 4on4	2
5	Z91801	Dust Cap, 1.98 Bore	2
6	Z72931	Lug Nut, 1/2NF	8

BOM ID	Part No.	Description	Qty
7	Z12323	Cotter Pin, 3/16" x 2-1/2"	2
8	Z72691	Castle Nut, 1NF x 9/16" Thick	2
9	Z91111	RH Stub Flex Axle, 935lbs	1
10	Z91112	LH Stub Flex Axle, 935lbs	1

Hopper Flap Detail

BOM ID	Part No.	Description	Qty
1	1018L994	Chipper Chute Flap Clamp	1
2	Z72211	Hex Lock Nut, 1/4NC	3
3	Z76211	Carriage Bolt, 1/4NC x 3/4"	3
4	1056S604	Flap, Hopper	1



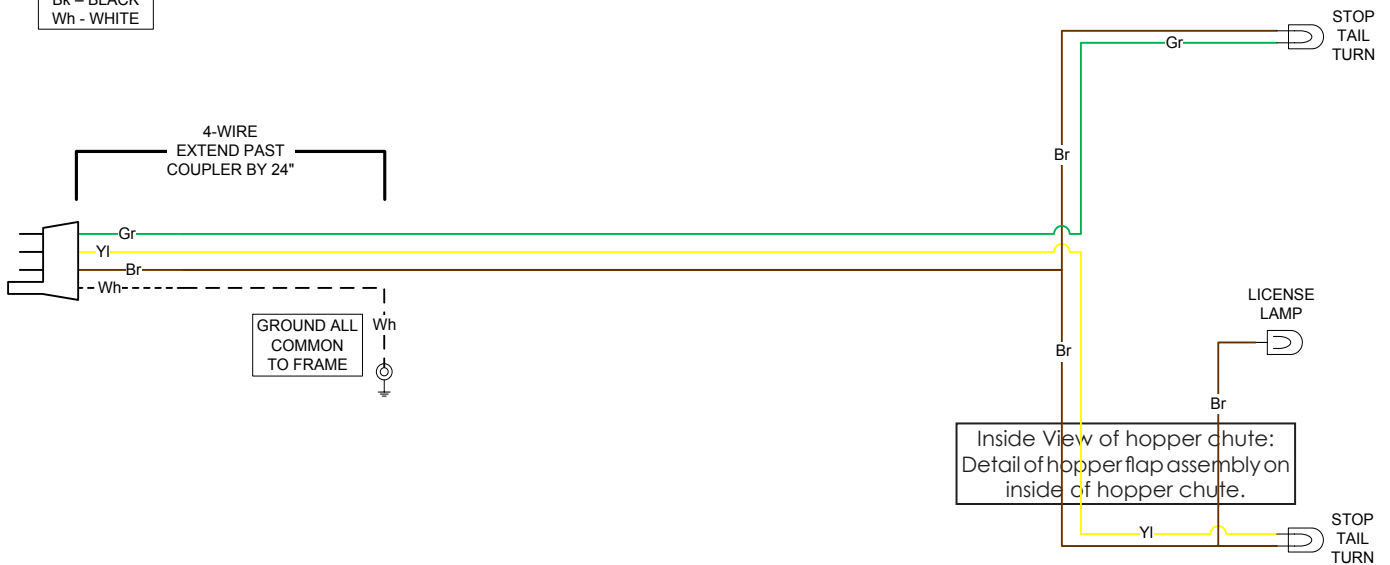
Wiring Diagram

BXMT3213 WIRING

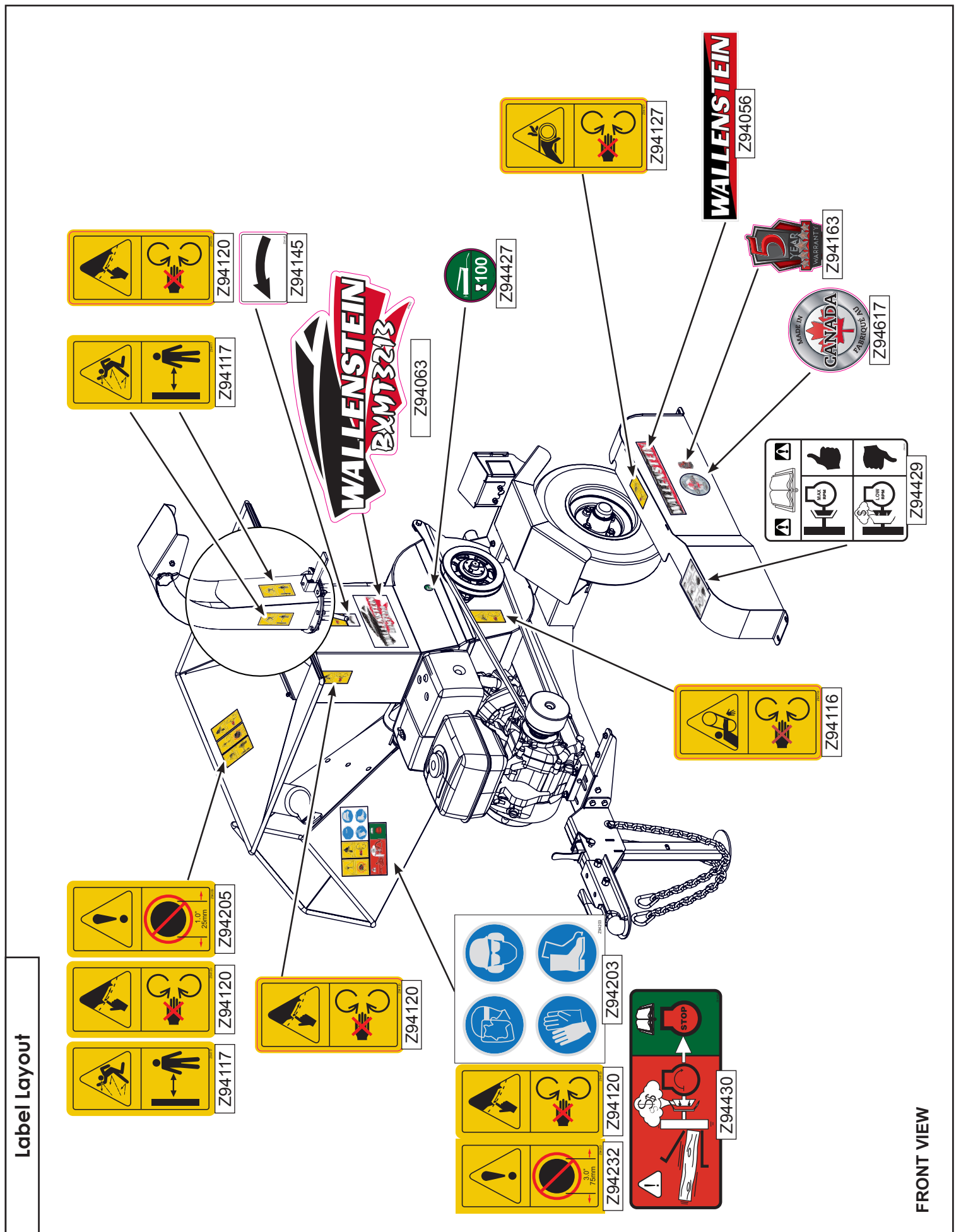
RIGHT SIDE

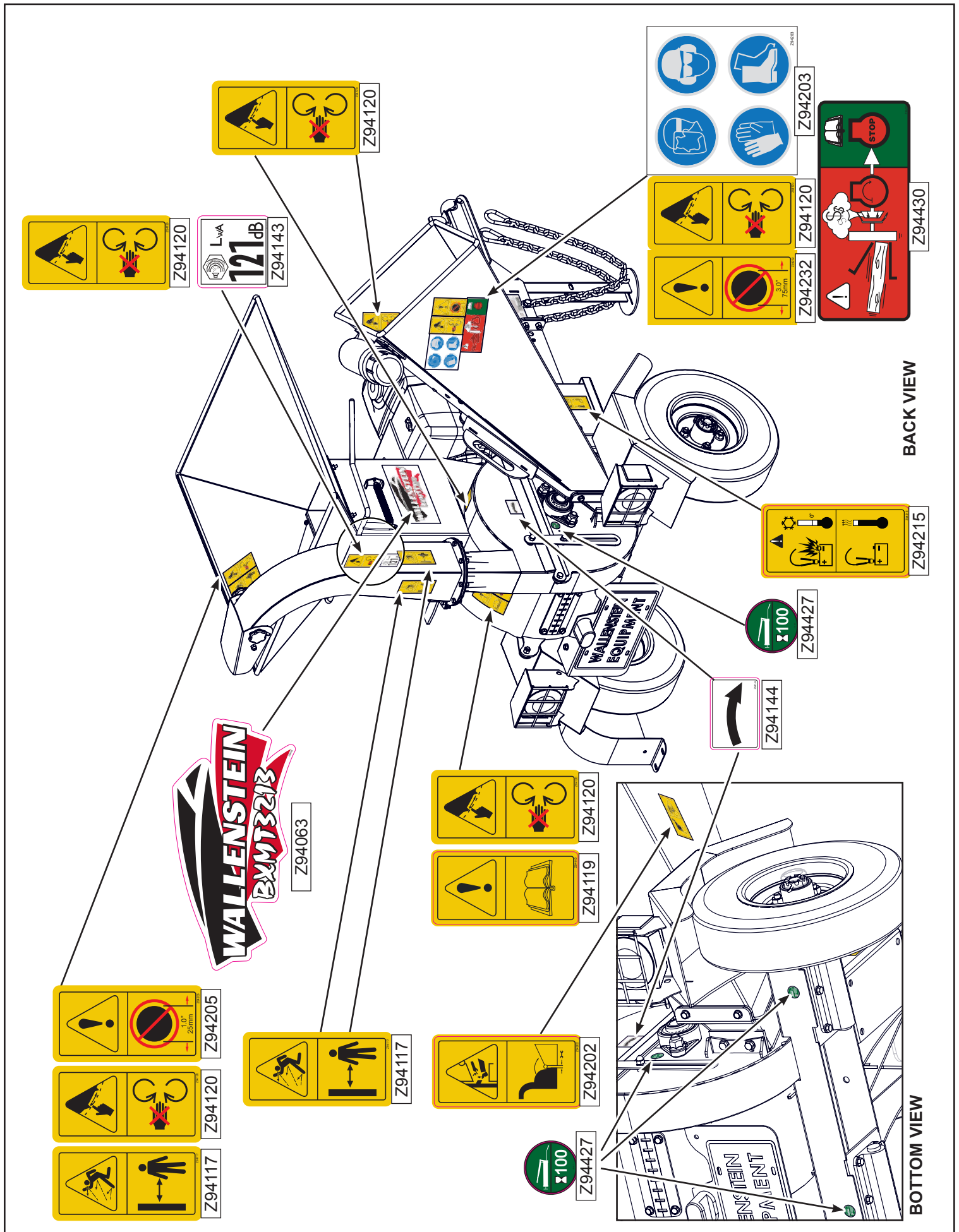
KEY

Bl	- BLUE
Br	- BROWN
Gr	- GREEN
Rd	- RED
Yl	- YELLOW
Bk	- BLACK
Wh	- WHITE



LEFT SIDE





Label Check List

BXMT3213: Label Number & Designation List				
✓	Prt No.	Description	QTY	Models
	Z94232	75mm (3.0) Max Material Caution Decal	2	BXMT3213
	Z94120	CE Danger Rotating Blades Decal	12	BXMT3213
	Z94203	Protection Equipment	2	BXMT3213
	Z94430	Cent. Clutch Jam	2	BXMT3213
	Z94202	Severed Hand or Foot Hazard	1	BXMT3213
	Z94117	CE Danger Thrown Object Decal	6	BXMT3213
	Z94232	Hazard-Do Not Feed Over 76mm Material (3")	2	BXMT3213
	Z94116	CE Danger Missing Sheild Decal	1	BXMT3213
	Z94127	CE Warning Rotating Part Decal	1	BXMT3213
	Z94056	Wallenstein Decal 12.87"x1.87"	1	BXMT3213
	Z94427	Grease 100hrs Label	4	BXMT3213
	Z94119	CE Decal-Operators Manual	1	BXMT3213
	Z94143	Noise-121db Noise	1	BXMT3213
	Z94144	RH Rotation Decal	1	BXMT3213
	Z94145	LH Rotation Decal	1	BXMT3213
	Z94215	Frozen Battery Hazard	1	BXMT3213
	Z94429	Cent. Clutch	1	BXMT3213
		Seral Label - BXMT3213	2	BXMT3213

Accessories

Call your dealer for pricing and availability



#1012L269 LEDGER CLEARANCE SETTING GAUGE

WALLENSTEIN
by EMB MFG. INC.

EMB Manufacturing Inc.
4144 Boomer Line - St. Clements, On - N0B 2M0 - Canada
Ph: (519) 699-5237 Fax: (519) 699-4146
www.embmfg.com



BXMT3209



BXMT3213 / BXMT3214SU



BXMT4224 / BXMT4228SU / BXMT4238

TRAILER CHIPPER-SHREDDER
MODELS BXMT3209, BXMT3213, BXMT3214SU &
BXMT4224, BXMT4228SU, BXMT4238
OPERATOR'S MANUAL

PRINTED IN CANADA
Rev: 230215 PART NUMBER: Z97027

#Z97027
TRAILER CHIPPER-SHREDDER
OPERATOR'S MANUAL

Available as a download at
www.wallensteinequipment.com