

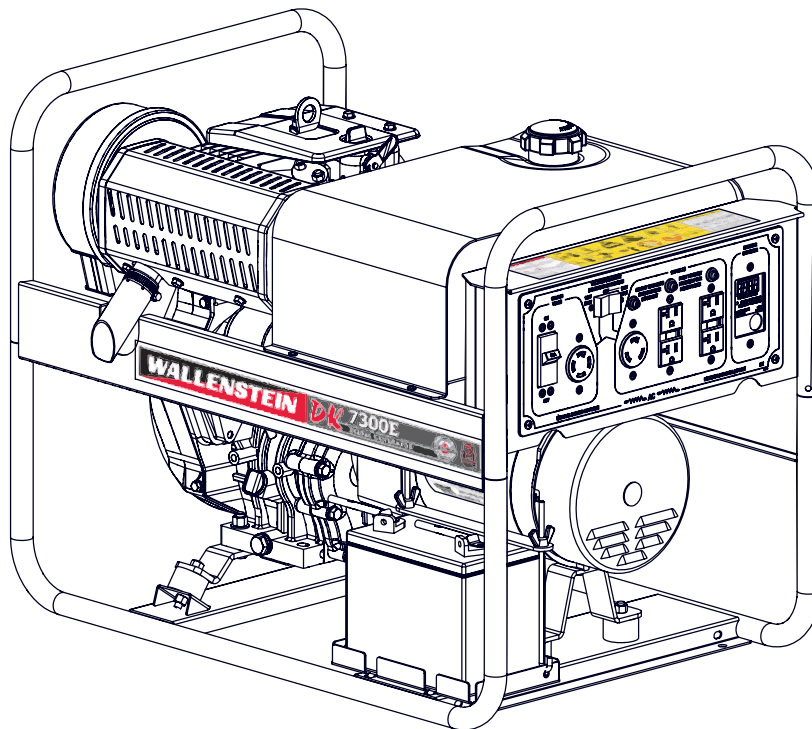


EMB Manufacturing Inc.
4144 Boomer Line · St. Clements, On · N0B 2M0 · Canada
Ph: (519) 699-9283 · Fax: (519) 699-4146
www.wallensteinequipment.com

DK7300E

Generator Parts Manual

Starting with S/N's
DK70025



Refer to the operators
manual for safe
operation and
maintenance

Foreword

EMB Mfg. has prepared this parts manual to assist customers in ordering quality OEM replacement parts.

Proper and regular service and replacing old, worn or broken parts with the correct OEM parts are essential to prolonging the life of your EMB product. Please refer to this manual before ordering any replacement parts.

All information contained in this parts manual is based on the latest product specification available at the time of printing this manual. If your product differs from the specifications contained within this manual contact EMB Mfg. for information.

EMB reserves the right to alter specifications on their products at any time.

Reproduction of this parts manual of any kind is prohibited without prior written permission from EMB Mfg.

For parts and information please contact your dealer. If your dealer is no longer available please go to our website: <http://www.wallensteinequipment.com> and click on "FIND A DEALER NEAR YOU" for information on a local dealer.

Table of Contents

Bolt Torque..... 4
DK7300E Main Assembly..... 5
Frame & Engine / Alternator Assembly 6
Electrical Panel Assembly 7
Wiring Diagram..... 8
Label Layout..... 9
Accessories..... 10

Alternator: Mecc Alte Inc. S16W-###/# Below are alternator parts available from Wallenstein. For other parts and maintenance or repair information please refer to the Mecc Alte alternator manual that shipped with the generator.			
1	Non Drive End Bracket	390302209	
2	Fan	392000015	
3	Rear Bearing 6203-2ZC3	390302521	
4	Diode	9910356050	
5	Varistor	9910384005	
6	Capacitor # :see chart below		
Find the value of the capacitor in your alternator, and match it to the list shown here for the correct order part number.		GECAP14MF	14 MF CAPACITOR
		GECAP16MF	16 MF Capacitor
		GECAP18MF	Capacitor, 18 MFZ
		GECAP20MF	Capacitor 20MFZ
		GECAP25MF	Capacitor 25MFZ
		GECAP31MF	Capacitor, 31.5 MFZ
		GECAP35MF	35 MF CAPACITOR
		GECAP40MF	40 MF CAPACITOR

Alternator maintenance should be performed by trained personnel only.



Exercise extreme caution when working with exposed wiring of the alternator, be aware that high voltage discharge of the capacitor is a danger.

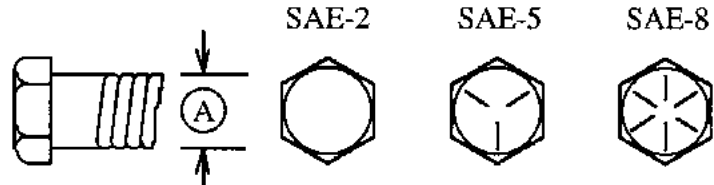
Bolt Torque

CHECKING BOLT TORQUE

The tables shown below give correct torque values for various bolts and capscrews. Tighten all bolts to the torques specified in chart unless otherwise noted. Check tightness of bolts periodically, using bolt torque chart as a guide. Replace hardware with the same strength bolt.

ENGLISH TORQUE SPECIFICATIONS

Bolt Diameter "A"	Bolt Torque*					
	SAE 2 (N.m) (lb-ft)		SAE 5 (N.m) (lb-ft)		SAE 8 (N.m) (lb-ft)	
1/4"	8	6	12	9	17	12
5/16"	13	10	25	19	36	27
3/8"	27	20	45	33	63	45
7/16"	41	30	72	53	100	75
1/2"	61	45	110	80	155	115
9/16"	95	60	155	115	220	165
5/8"	128	95	215	160	305	220
3/4"	225	165	390	290	540	400
7/8"	230	170	570	420	880	650
1"	345	225	850	630	1320	970

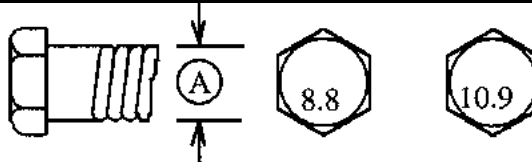


Torque figures indicated above are valid for non-greased or non-oiled threads and heads unless otherwise specified. Therefore, do not grease or oil bolts or capscrews unless otherwise specified in this manual. When using locking elements, increase torque values by 5%.

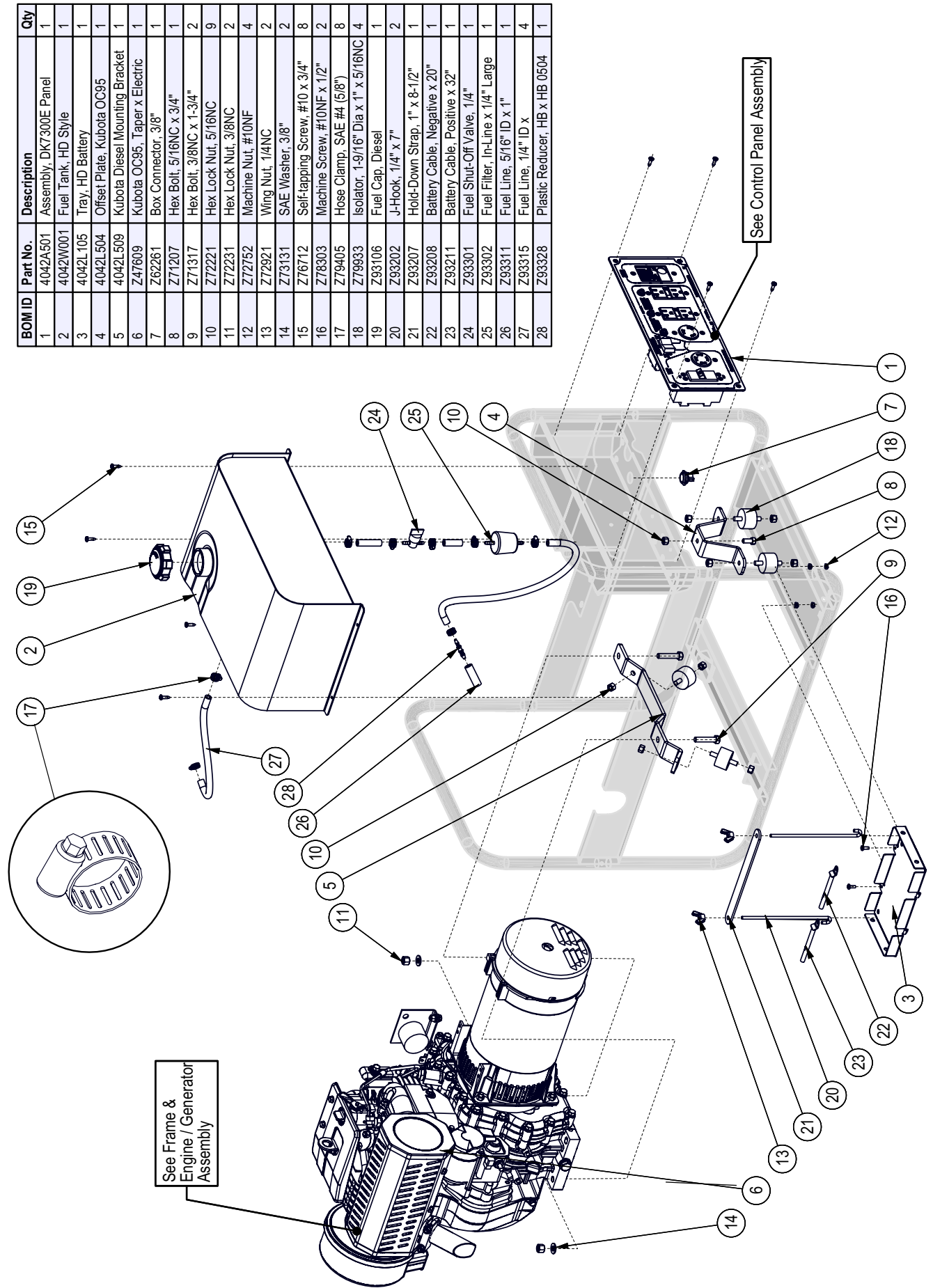
* Torque value for bolts and capscrews are identified by their head markings.

METRIC TORQUE SPECIFICATIONS

Bolt Diameter "A"	Bolt Torque*			
	8.8 (N.m) (lb-ft)		10.9 (N.m) (lb-ft)	
M3	0.5	0.4	1.8	1.3
M4	3	2.2	4.5	3.3
M5	6	4	9	7
M6	10	7	15	11
M8	25	18	35	26
M10	50	37	70	52
M12	90	66	125	92
M14	140	103	200	148
M16	225	166	310	229
M20	435	321	610	450
M24	750	553	1050	774
M30	1495	1103	2100	1550
M36	2600	1917	3675	2710



DK7300E Main Assembly

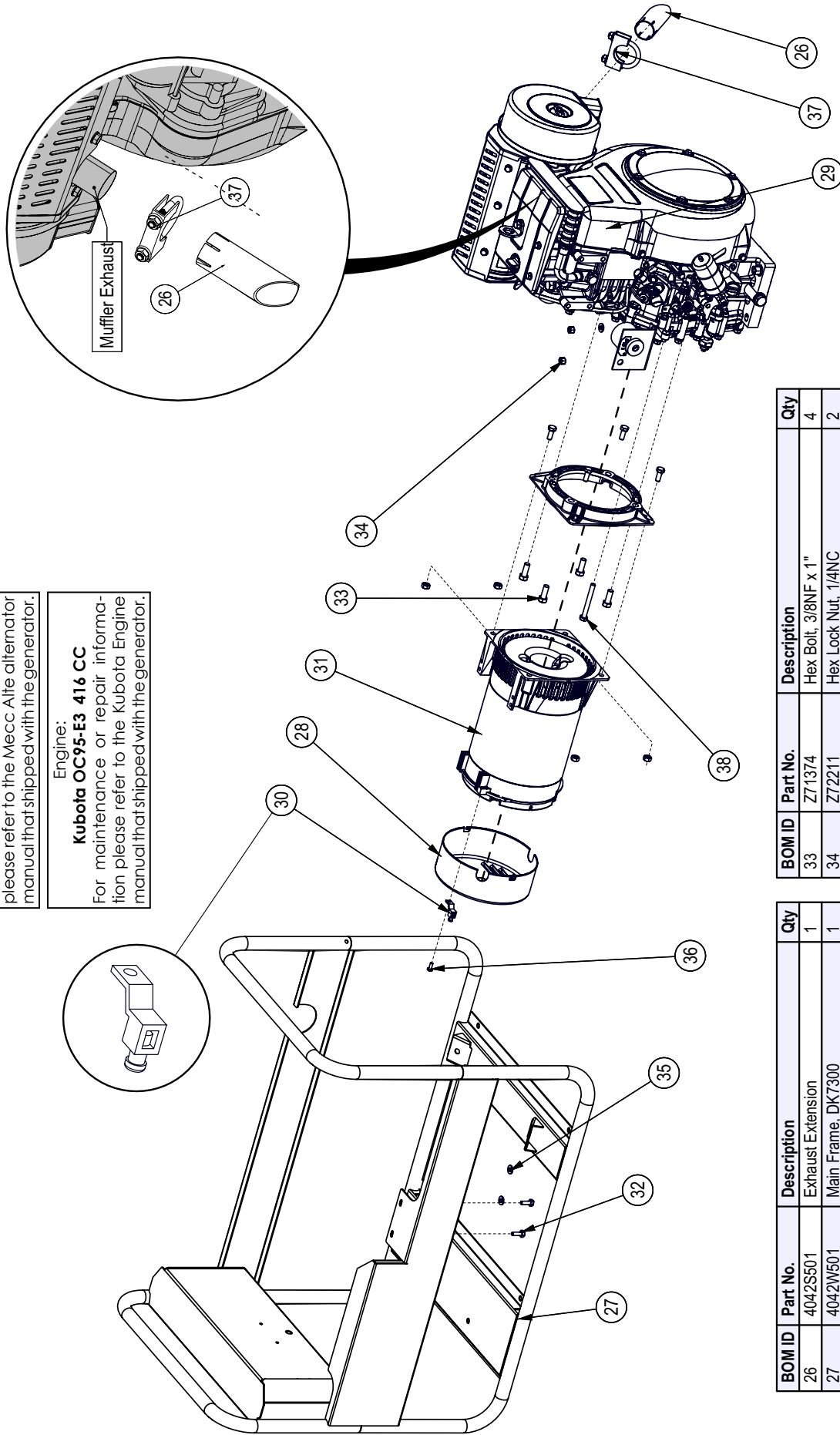


BOM ID	Part No.	Description	Qty
1	4042A501	Assembly, DK7300E Panel	1
2	4042W001	Fuel Tank, HD Style	1
3	4042L105	Tray, HD Battery	1
4	4042L504	Offset Plate, Kubota OC95	1
5	4042L509	Kubota Diesel Mounting Bracket	1
6	Z47609	Kubota OC95, Taper x Electric	1
7	Z62261	Box Connector, 3/8"	1
8	Z71207	Hex Bolt, 5/16NC x 3/4"	1
9	Z71317	Hex Bolt, 3/8NC x 1-3/4"	2
10	Z72221	Hex Lock Nut, 5/16NC	9
11	Z72231	Hex Lock Nut, 3/8NC	2
12	Z72752	Machine Nut, #10NF	4
13	Z72921	Wing Nut, 1/4NC	2
14	Z73131	SAE Washer, 3/8"	2
15	Z76712	Self-tapping Screw, #10 x 3/4"	8
16	Z76803	Machine Screw, #10NF x 1/2"	2
17	Z79405	Hose Clamp, SAE #4 (5/8")	8
18	Z79933	Isolator, 1-9/16" Dia x 1" x 5/16NC	4
19	Z93106	Fuel Cap, Diesel	1
20	Z93202	J-Hook, 1/4" x 7"	2
21	Z93207	Hold-Down Strap, 1" x 8-1/2"	1
22	Z93208	Battery Cable, Negative x 20"	1
23	Z93211	Battery Cable, Positive x 32"	1
24	Z93301	Fuel Shut-Off Valve, 1/4"	1
25	Z93302	Fuel Filter, In-Line x 1/4" Large	1
26	Z93311	Fuel Line, 5/16" ID x 1"	1
27	Z93315	Fuel Line, 1/4" ID x	4
28	Z93328	Plastic Reducer, HB x HB 0504	1

Frame & Engine / Alternator Assembly

Alternator:
Mecc Alte Inc. S16W-150/A
 See parts chart page 3
 For maintenance or repair information please refer to the Mecc Alte alternator manual that shipped with the generator.

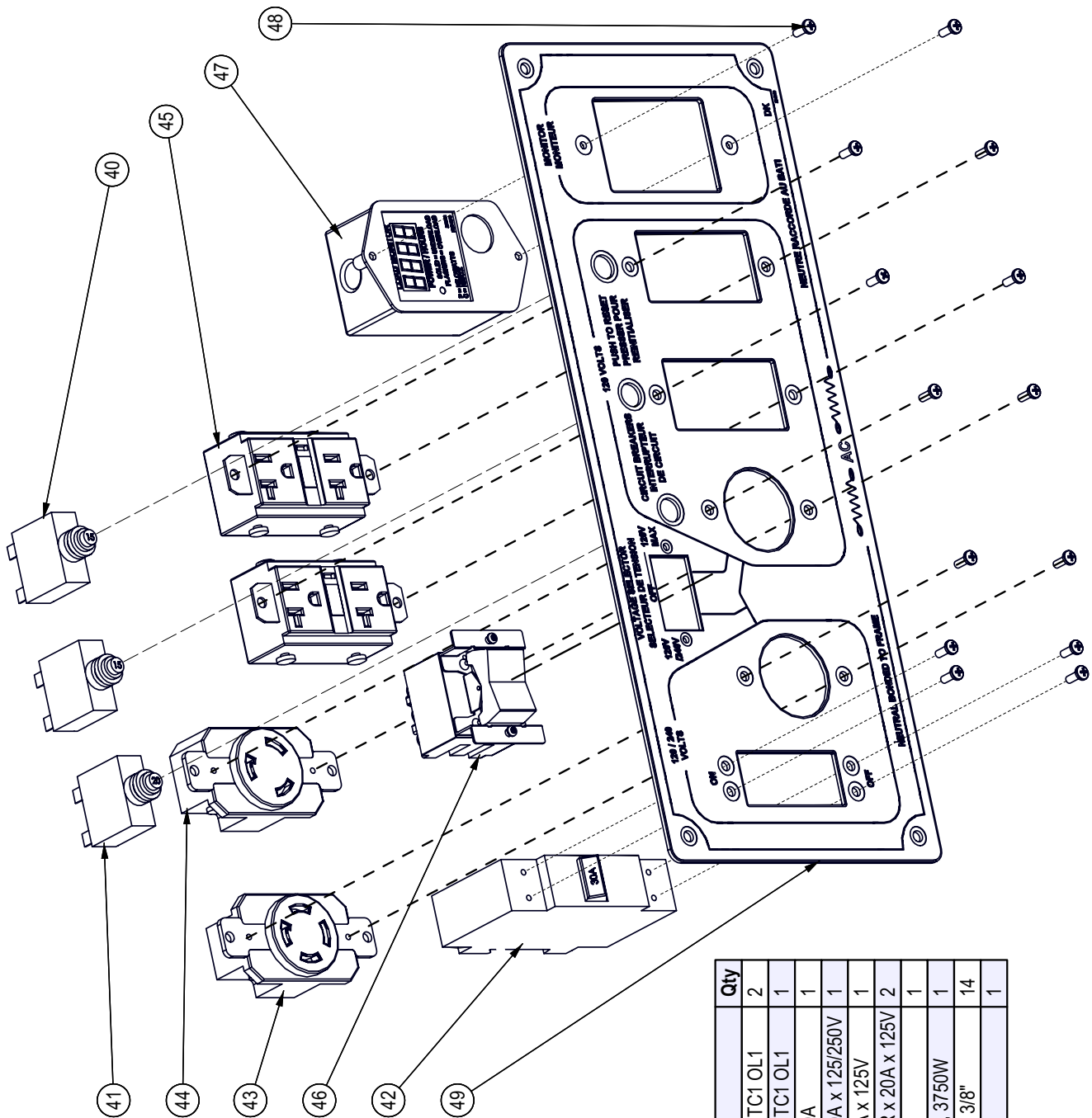
Engine:
Kubota OC95-E3 416 CC
 For maintenance or repair information please refer to the Kubota Engine manual that shipped with the generator.



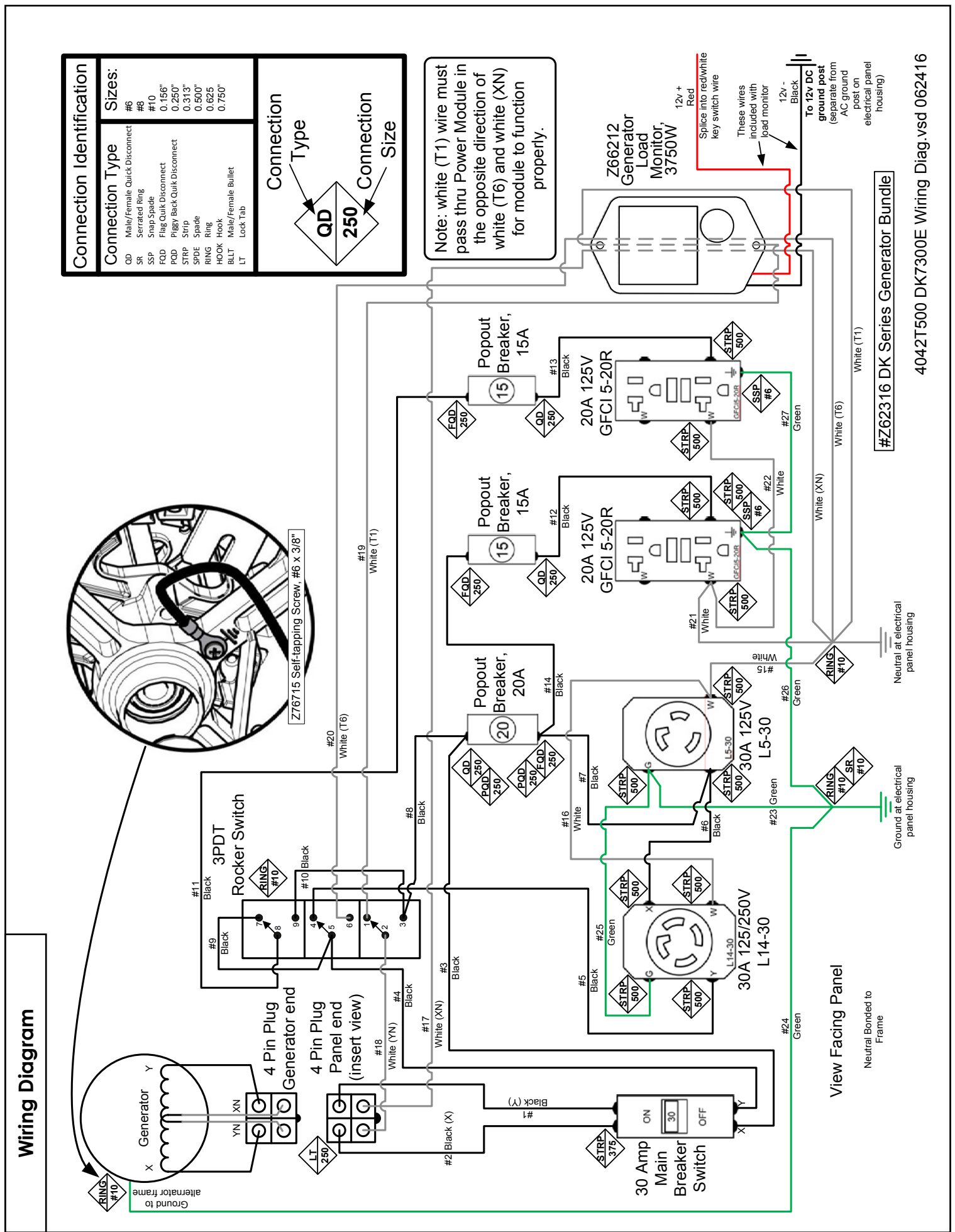
BOM ID	Part No.	Description	Qty
26	4042S501	Exhaust Extension	1
27	4042W501	Main Frame, DK7300	1
28	GES16COVER2	Blind Cap Lid	1
29	Z47609	Kubota OC95, Taper x Electric	1
30	Z62711	Grounding Terminal, 6-14	1
31	Z65406	Alternator, 6.8kVA	1
32	Z71107	Hex Bolt, 1/4NC x 3/4"	2

BOM ID	Part No.	Description	Qty
33	Z71374	Hex Bolt, 3/8NF x 1"	4
34	Z72211	Hex Lock Nut, 1/4NC	2
35	Z73111	SAE Washer, 1/4"	4
36	Z78303	Machine Screw, #10NF x 1/2"	1
37	Z79882	Muffler Clamp, 1-1/2"	1
38	Z771591	Hex Bolt, M8x1.25 x 70mm Full Threads	1

Electrical Panel Assembly



BOM ID	Part No.	Description	Qty
40	Z62616	Thermal Breaker, 15A x TC1 OL1	2
41	Z62617	Thermal Breaker, 20A x TC1 OL1	1
42	Z62623	Main Switch Breaker, 30A	1
43	Z63403	Receptacle, L14-30 x 30A x 125/250V	1
44	Z63404	Receptacle, L5-30 x 30A x 125V	1
45	Z63408	GFCI Receptacle, 5-20R x 20A x 125V	2
46	Z66113	Rocker Switch, 3PDT	1
47	Z66212	Generator Load Monitor, 3750W	1
48	Z78304	Machine Screw, #6NC x 3/8"	14
49	4042L107	Panel, DK Style	1



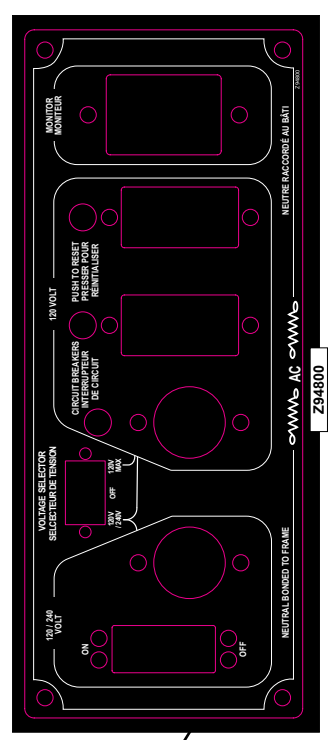
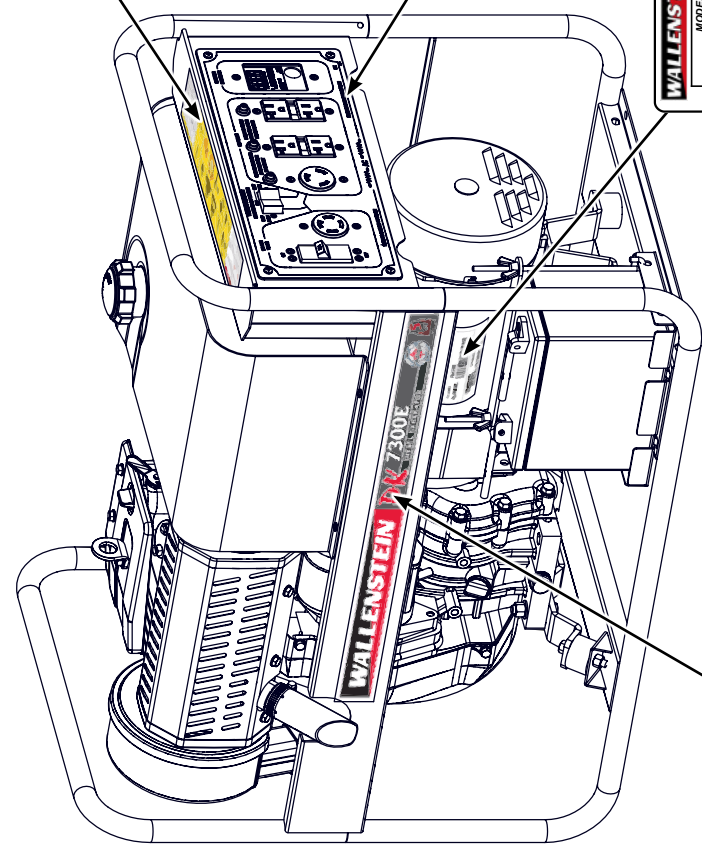
4042T500 DK7300E Wiring Diag. vsd 062416

Label Layout

DANGER! **ATTENTION!**

UNITS TO BE OPERATED MUST REMAIN VENTILATED AT ALL TIMES. OPERATE AT MODERATE TO HIGH LOAD. OPERATING AT MODERATE TO NO LOAD MAY CAUSE OVERHEATING OF THE GENERATOR AND DAMAGE TO THE POWER MONITOR. THE POWER MONITOR WILL LOG AND INDICATE (RED INDICATOR) UNDER-LOAD CONDITIONS. OPERATING AT UNDER-LOAD CONDITIONS WILL VOID THE WARRANTY. READ THE OWNERS MANUAL.

UNITÉS À ÊTRE EXPLOITÉES DOIVENT ÊTRE VENTILÉES EN TOUT TEMPS. FONCTIONNER À MOYENNE À HAUTE CHARGE. FONCTIONNER À MOYENNE À PAS DE CHARGE PEUT CAUSER UN SURCHAUFFEMENT DU GÉNÉRATEUR ET ENDOMMAGER LE MONITEUR DE PUISSANCE. LE MONITEUR DE PUISSANCE ENREGISTRE ET INDIQUE (INDICATEUR ROUGE) LES CHARGES EN DESSOUS DES NIVEAUX RECOMMANDÉS. LE FONCTIONNEMENT EN DESSOUS DES NIVEAUX RECOMMANDÉS ANNULE LE BREVET DE GARANTIE. LIRE LE MANUEL D'UTILISATION.



WALLENSTEIN **GEN**

MODEL	SERIAL NUMBER
#####	#####
ALTERNATOR	
TYPE	PHASE
CODE	SERVICE S1
KVA # [V] 120/240	AMPS
GOSPHI 1	HPZ (50)
BEARING	KG
#####	#####
CONNECTION 1111	J
www.embmfg.com	
Serial Label	

WALLENSTEIN **DK 7300E** **DIESEL GENERATOR**

50 Year Anniversary

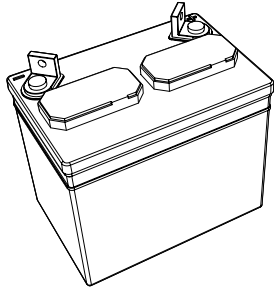
MADE IN CANADA

Z94656 Two Sides

Accessories

Call your dealer for pricing and availability

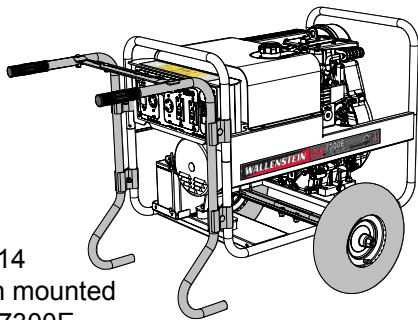
#Z93204



#Z93204 U1 250CCA Lawn & Garden Battery

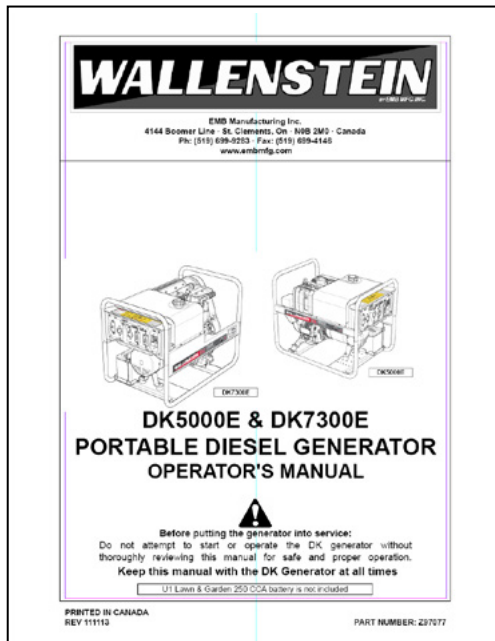
The perfect battery to reliably get your generator started.

#WK214
Shown mounted
on DK7300E



#WK210 TWO WHEEL KIT WITH 10" TIRES
#WK214 TWO WHEEL KIT WITH 14" TIRES

A must have add on kit for true portability!
Kit consist of handles and axle with tires The kit is easy to install and simply clamps on to the existing frame.



#Z97077 DK5000E & DK7300E
PORTABLE DIESEL GENERATOR
OPERATOR'S MANUAL

Available as a download at
www.wallensteinequipment.com